



Customer Service Bulletin Commercial Business Group

General Product Information

Model/Serial Range: **Model Number:** **Serial Numbers:**
All 00000-99999

Subject: Gauge Light Kit is now available.

Gauge Light Kit (93-3605) can be installed in most gauge assemblies to monitor gauges when operating equipment in the dark and also to reduce the build-up of condensation behind the lens. The kit, shown below, is available through your local distributor.

FORM NO. 3316-543



PART NO. 93-3605

INSTALLATION
INSTRUCTIONS

GAUGE LIGHT KIT

1. Remove (2) nuts, washers and bracket securing gauge to control panel.
2. Remove center small nut securing ground wire to "G" terminal on gauge. Do not remove second nut from terminal as damage to gauge may occur.
3. Insert light socket gasket and plate over gauge mounting studs and "G" terminal nut (Fig. 1).
4. Secure gasket and plate to gauge with (2) mounting stud nuts and washers previously removed.
5. Insert wire assembly light into hole in light socket plate (Fig. 1).
6. Loosen top nut on "I" terminal on gauge, install one wire from light assembly onto terminal and tighten nut.
7. Secure gauge ground wire and remaining wire from light assembly to "G" terminal with new small nut.
8. Secure gauge to control panel with bracket and (2) new nuts and washers (Fig. 1).

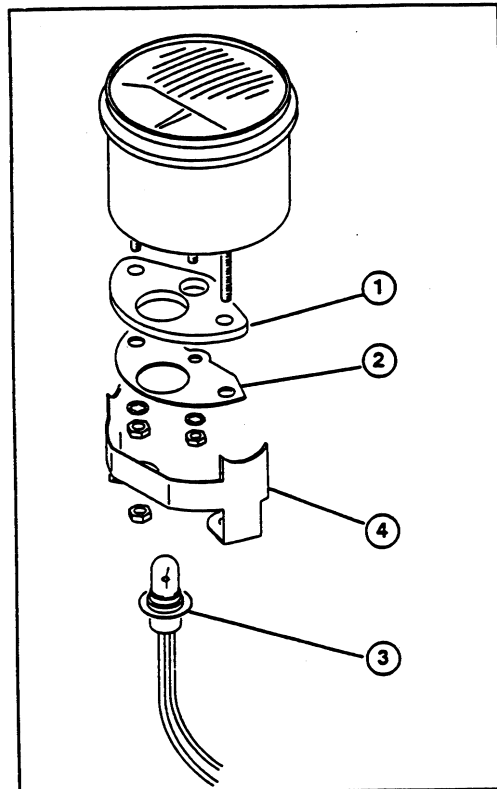


Figure 1

1. Light socket gasket
2. Light socket plate
3. Wire assembly
4. Gauge bracket