



# Operation

**Note:** Determine the left and right sides of the machine from the normal operating position.

**Caution**

**This machine produces sound levels in excess of 85 dBA at the operator's ear and can cause hearing loss through extended periods of exposure.**

**Wear hearing protection when operating this machine.**

## Controls

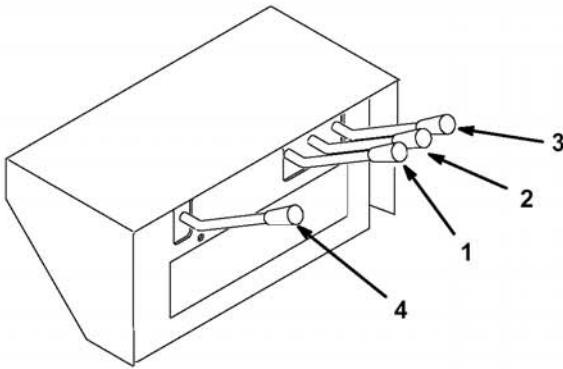


Figure 6

- |                      |                         |
|----------------------|-------------------------|
| 1. Brush control     | 3. Trailer lift control |
| 2. Deck lift control | 4. Auxiliary control    |

### Trailer Lift Control

Used to dump trailer box. Up position raises the box and opens the door, down position lowers the box and closes the door.

### Deck Lift Control

Used to raise and lower primary deck. Up position raises the deck and down position lowers the deck.

### Brush Control

Used to operate rotating Finger Deck, Model 07081. Up position starts the deck and down position stops the deck.

## Auxiliary Control

Used to operate Combination Deck, Model 07082. Up position starts the deck and down position stops the deck.

## Tractor PTO

The vacuum fan on the Versa Vac will run as soon as the PTO is engaged. The Finger and Combination Decks are engaged by the hydraulic controls on the Versa Vac.

**Note:** Always engage tractor PTO gently at low engine RPM. Sudden engagement of tractor PTO at high engine rpm will likely cause damage to drive line components.

## Tractor Hydraulics

All hydraulic machine functions are controlled by the hydraulic valve that is located at the front of the Versa Vac. The PTO must be running while the machine is in use. This is what creates the continuous oil flow throughout the machine.

**Note:** Never move a hydraulic lever rapidly between the up and down positions. A hydraulic motor forced to reverse directions instantly will likely be severely damaged. If any part of the machine becomes plugged, or material does not want to flow, shut machine off completely and manually remove blockage.

**Note:** The hydraulic control console can be adjusted for operator comfort by loosening the lever on frame behind controls, adjusting control console fore or aft and tightening lever.

## Operating Tips

- Start the tractor and run it at a low RPM.
- Engage the PTO while the engine is at idle speed.
- Increase the PTO speed to 540 RPM.

**Caution**

**Shut the engine off and wait for all moving parts to stop before checking for oil leaks, loose parts, and other malfunctions.**

- Before starting operation, survey area to determine the best direction to go.
- To maintain a straight line when operating, sight off an object in the foreground.
- Always try to make a long, continuous run with a slight overlap on the return run.