



Incorrect Installation Manual Instruction

Product: ProCore® Processor

April 25, 2008

Affected Units:

Models:

Serial Numbers:

ProCore Tow Hitch Kit

09750

280000101-280000205

Situation:

There are errors in the installation instruction manual regarding hydraulic plumbing between the tow vehicle and the Tow Hitch Kit Manifold-HYD (114-7729). The schematic in this manual contains hydraulic port label errors and omits the presence of a check valve in the Core Processor Lift Manifold Block Assembly (114-3942).

Instructions:

Figure 6 of the installation instruction, page 2 with correction illustrated:

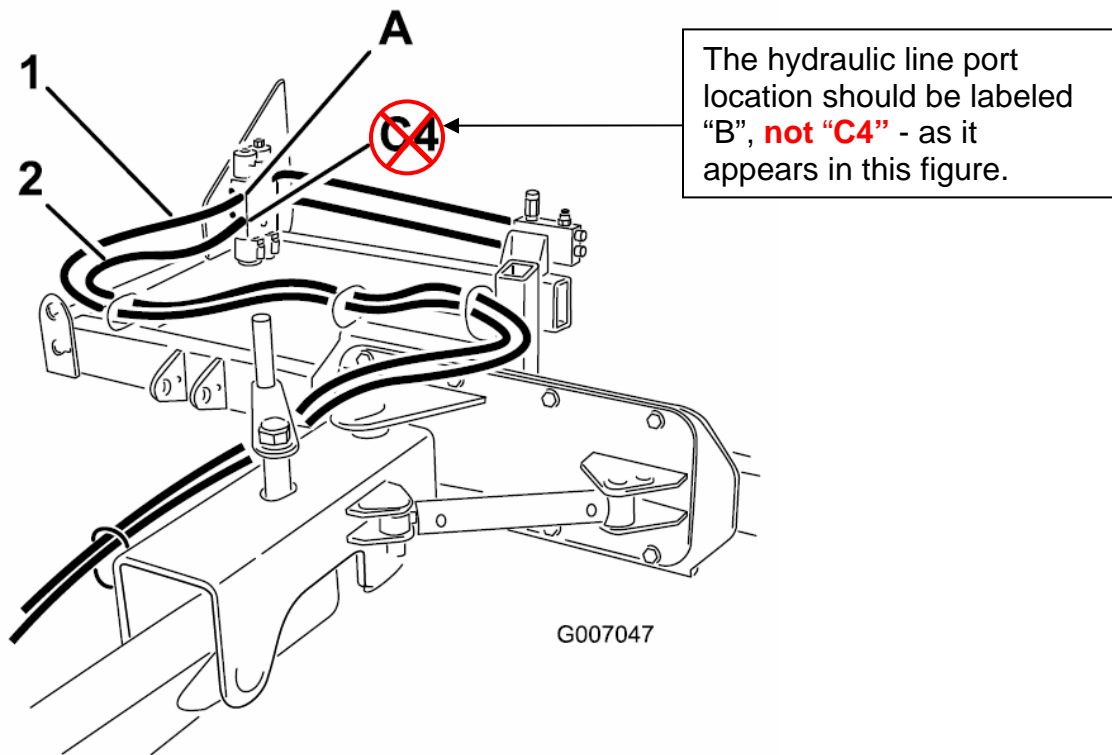


Figure 6

1. Hydraulic hose

2. Hydraulic hose



Incorrect Installation Manual Instruction

Product: ProCore® Processor

Apr 23, 2008

Affected Units:

Models:

Serial Numbers:

ProCore Tow Hitch Kit

09750

280000101-280000175

Figure 7 of the installation instruction, page 2 with the correction illustrated:

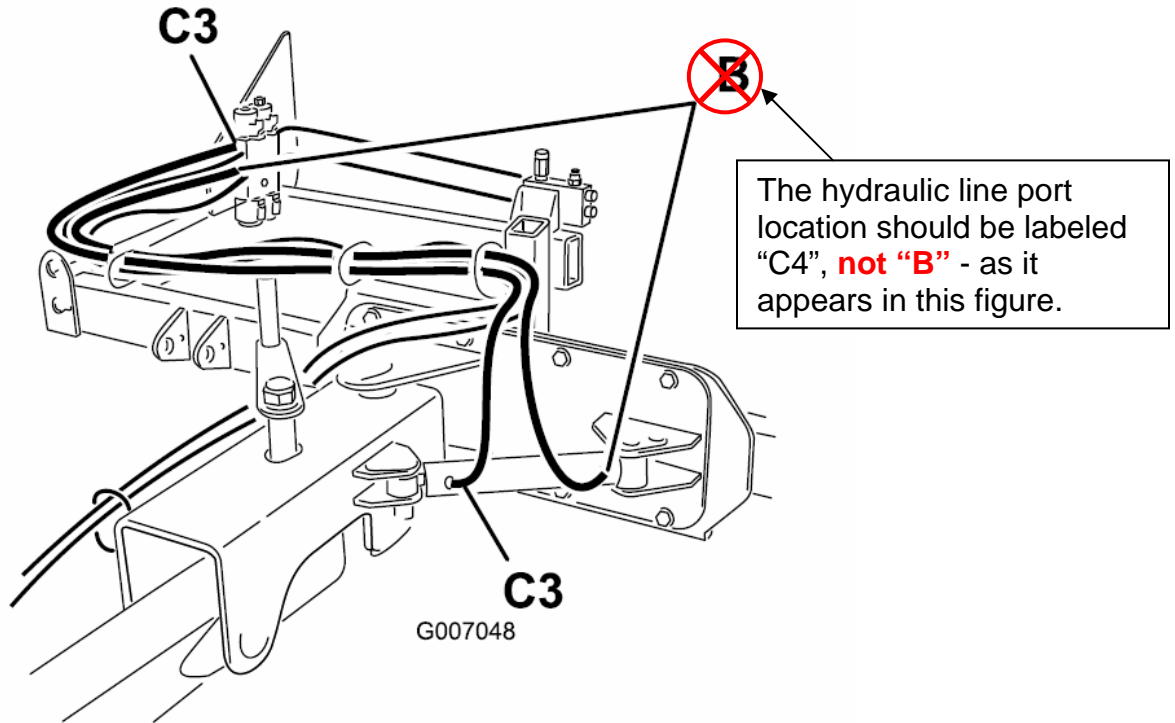
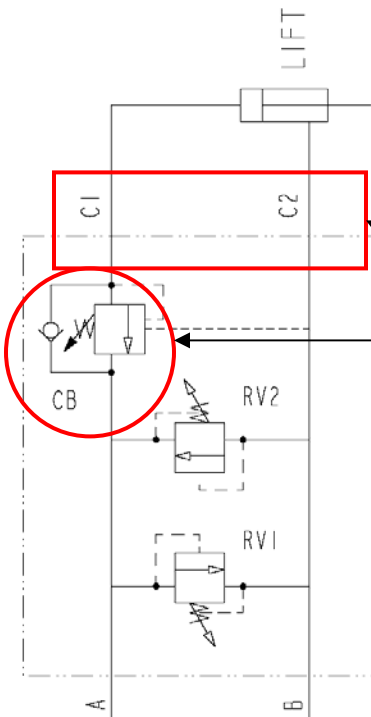


Figure 7

- 1. Hydraulic hose
- 2. Hydraulic hose



This is the correct Hydraulic Schematic drawing for the Tow Hitch Kit.

The indicated items did not previously appear in this diagram;

1. C1 and C2 ports to the lift cylinder were incorrectly labeled "2" and "1" in the Operator's Manual schematic
2. The check valve "CB" was not previously illustrated. This check valve is used to hold hydraulic pressure in the system to support the Core Processor on the transport wheels when disconnected from a tow vehicle and to allow easy, non-pressurized removal of the "quick disconnect" hydraulic connectors.

