



# Customer Service Bulletin Commercial Business Group

## Fairway Aerator®

<u>Model/Serial Range:</u>	<u>Model Number:</u>	<u>Serial Numbers:</u>
	09500	90101-10999
	09501	20101-60999
	09502	70101-80999

### Subject: Leaking Corer Gear Case Seals

Fairway Aerators that are operated in areas where the soil has a high content of abrasive sand may exhibit accelerated wear of the Corer Gear Case upper and lower Crank Seals as well as the Drive Shaft Gear Seals. The abrasive action of the sand can cause excess wear of the seals resulting in oil leaks.

Installation of optional Crank Seal (99-5398) and/or Drive Shaft Seal (99-6882) during repairs will prevent repetitive leaks associated with the effects of sand intrusion. These alternative seals are now available to use when replacing original Crank and/or Drive Shaft Seals in units operated in areas with high sand content.

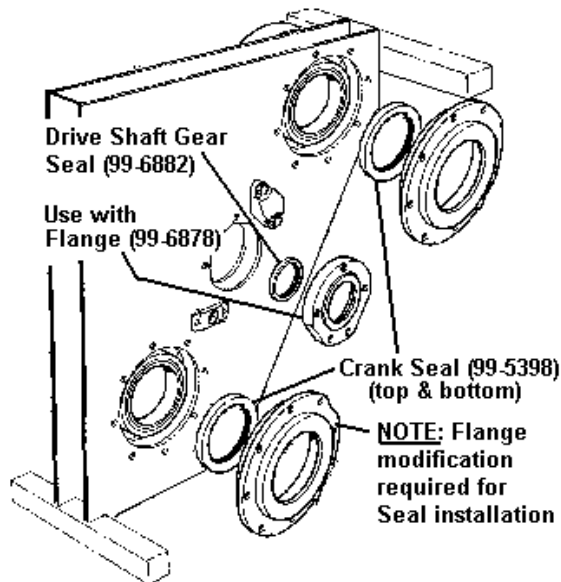
The design of the seals incorporates 3 separate sealing lips and an integral wear ring. Due to the design, they can also be utilized to repair abrasion damage to the sealing surface of Crankshaft Gears and the Drive Shaft Gear Seal areas.

Crank Seal (99-5398) is a direct replacement for the original Seal, however modifications must be made to the Crank Flange prior to installation.

Drive Shaft Gear Seal (99-6882) must be used in conjunction with a new Drive Shaft Flange (99-6878).

Contact your local authorized TORO Distributor for additional information.

### Corer Gearcase Seal Locations



### Crank Flange Modification for Seal (99-5398) Installation

