



**Count on it.**

**Parts Catalog**

**21in Heavy-Duty  
Recycler®/Rear Bagger Lawn Mower**

Model No. 22289—Serial No. 316000001 and Up



# Ordering Replacement Parts

To order replacement parts, please supply the part number, the quantity, and the description of each part desired.

## Understanding Reference Numbers

Each identified part in an illustration has a reference number. The reference number for a part also appears in the parts list, along with other information about the part.

This catalog uses two special reference number formats, one to indicate parts in a service assembly and another to indicate the quantity of a given part in an illustration.

## Service Assembly Reference Numbers

Parts in service assemblies have reference numbers in the form a:b. The a represents the reference number of the entire service assembly and the b represents a sequential number unique to each part within the service assembly.

For example, a wheel assembly might be identified by reference number 6, the tire by 6:1, the valve by 6:2, and the wheel by 6:3. When you order the assembly identified by reference number 6, you receive all parts identified by reference numbers 6:1, 6:2, and 6:3. However, you may also order any part individually. Reference numbers of this type appear in illustration and in parts lists.

## Reference Numbers Indicating Quantity

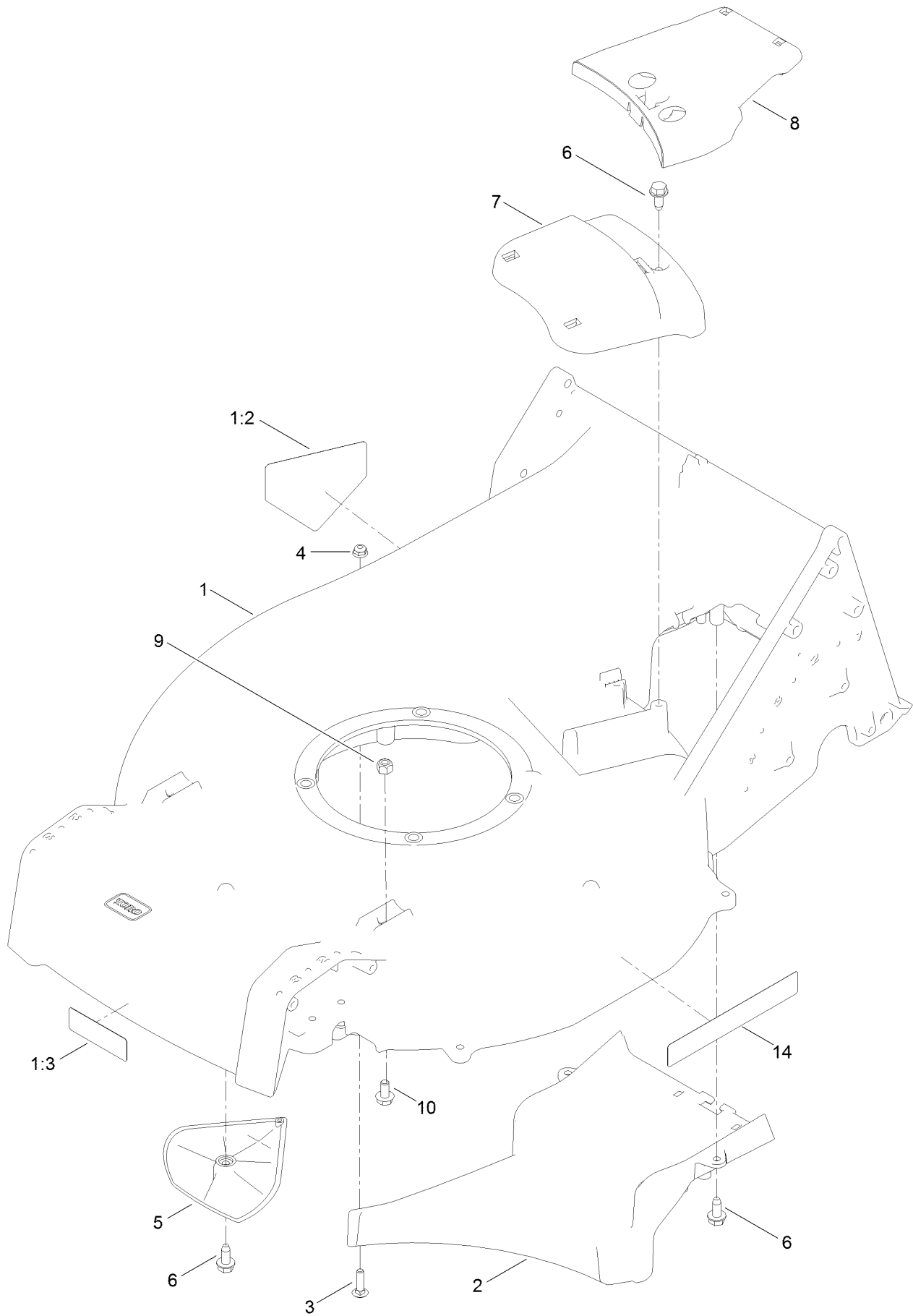
In an illustration, if a reference number indicates more than one part, the reference number has the form nX y. The n represents the quantity of the part, the X is the multiplication symbol, and the y represents the reference number.

For example, in an illustration, the reference number 2X 37 means that two of the parts identified by reference number 37 are indicated.

# Contents

Housing Assembly .....	4
Grass Bag Assembly .....	6
Engine and Blade Assembly .....	8
Shroud, Flywheel and Fuel Tank Assembly .....	10
Dipstick and Gasket Assembly .....	12
Carburetor, Muffler, Air Cleaner and Valve Cover Assembly .....	14
Seal and Gasket Kit No. 127-9144 .....	16
Height-of-Cut and Wheel Assembly .....	18
Rear Wheel and Height-of-Cut Assembly .....	20
Handle Assembly .....	22
Attachments and Accessories .....	24

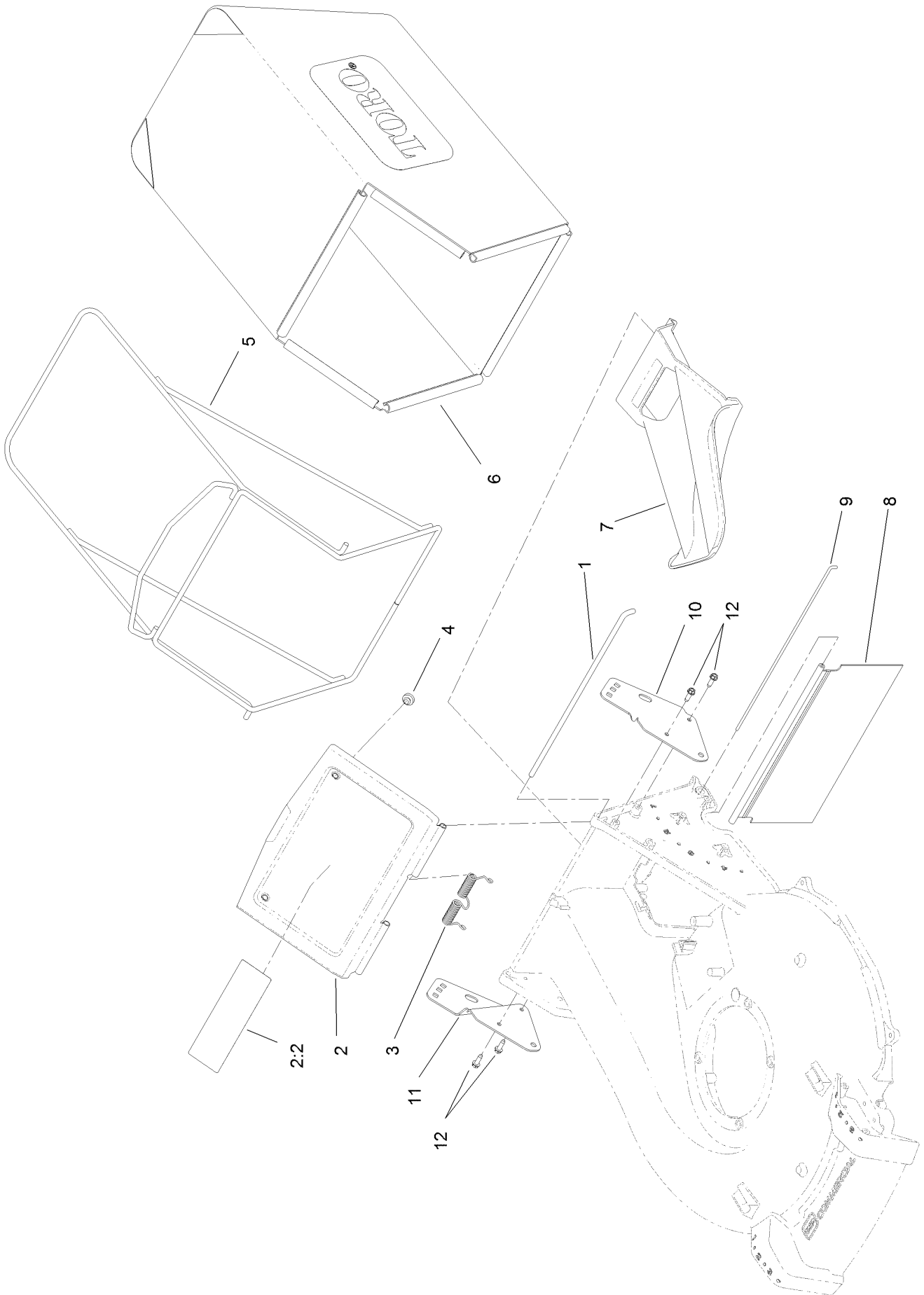
# Housing Assembly



## Housing Assembly (continued)

<i>Ref.</i>	<i>Part Number</i>	<i>Qty.</i>	<i>Description</i>	<i>Ref.</i>	<i>Part Number</i>	<i>Qty.</i>	<i>Description</i>
1	136-5896	1	Housing ASM	6	49-2040	5	Screw-HWHTF
1:2	94-8072	1	Decal-Danger	7	125-5038	1	Cover-Belt, Front
1:3	130-9670	1	Decal-Warning, Blade	8	125-8380	1	Cover-Belt, Rear
2	125-1002-01	1	Floor-Chute	9	3296-29	2	Nut-Lock, NI
3	3229-2	1	Screw-CARR	10	3234-7	2	Screw-HHF
4	104-7201	1	Nut-HF	14	119-2368	2	Decal-Recycler
5	125-5041	2	Kicker				

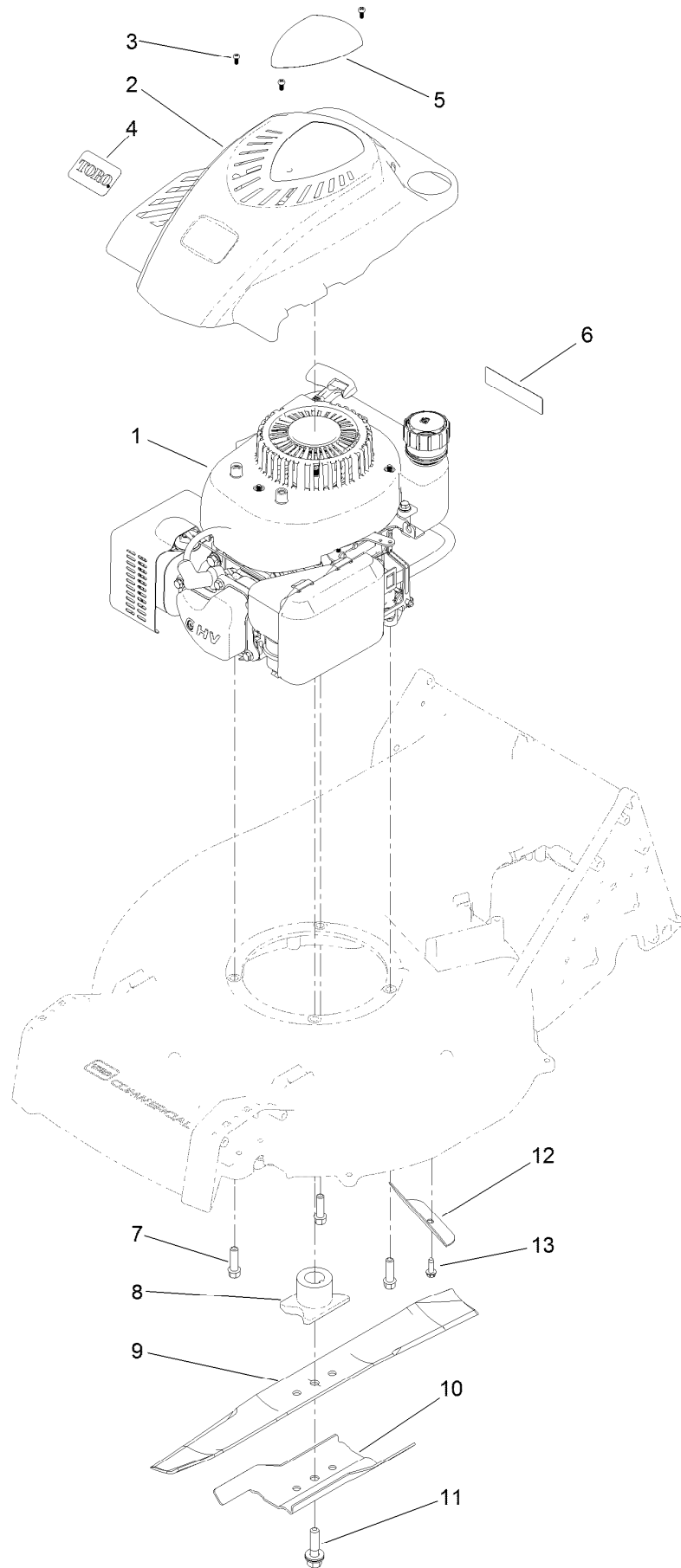
# Grass Bag Assembly



## Grass Bag Assembly (continued)

<i>Ref.</i>	<i>Part Number</i>	<i>Qty.</i>	<i>Description</i>	<i>Ref.</i>	<i>Part Number</i>	<i>Qty.</i>	<i>Description</i>
1	125-1017	1	Rod-Door, Bag	7	125-1008	1	Plug-Mulch
2	125-8402	1	Bag Door ASM	8	125-1007	1	Shield-Trailing
2:2	116-7583	1	Decal-Warning	9	125-8413	1	Rod-Shield, Trailing
3	125-1019	1	Spring-Torsion	10	133-8193-03	1	Bracket-Mount, Handle (LH)
4	1-513658	2	Bumper	11	133-8194-03	1	Bracket-Mount, Handle (RH)
5	121-1399-03	1	Frame-Bag	12	32144-70	4	Screw-HWHTF
6	125-1030	1	Bag-Grass				

# Engine and Blade Assembly

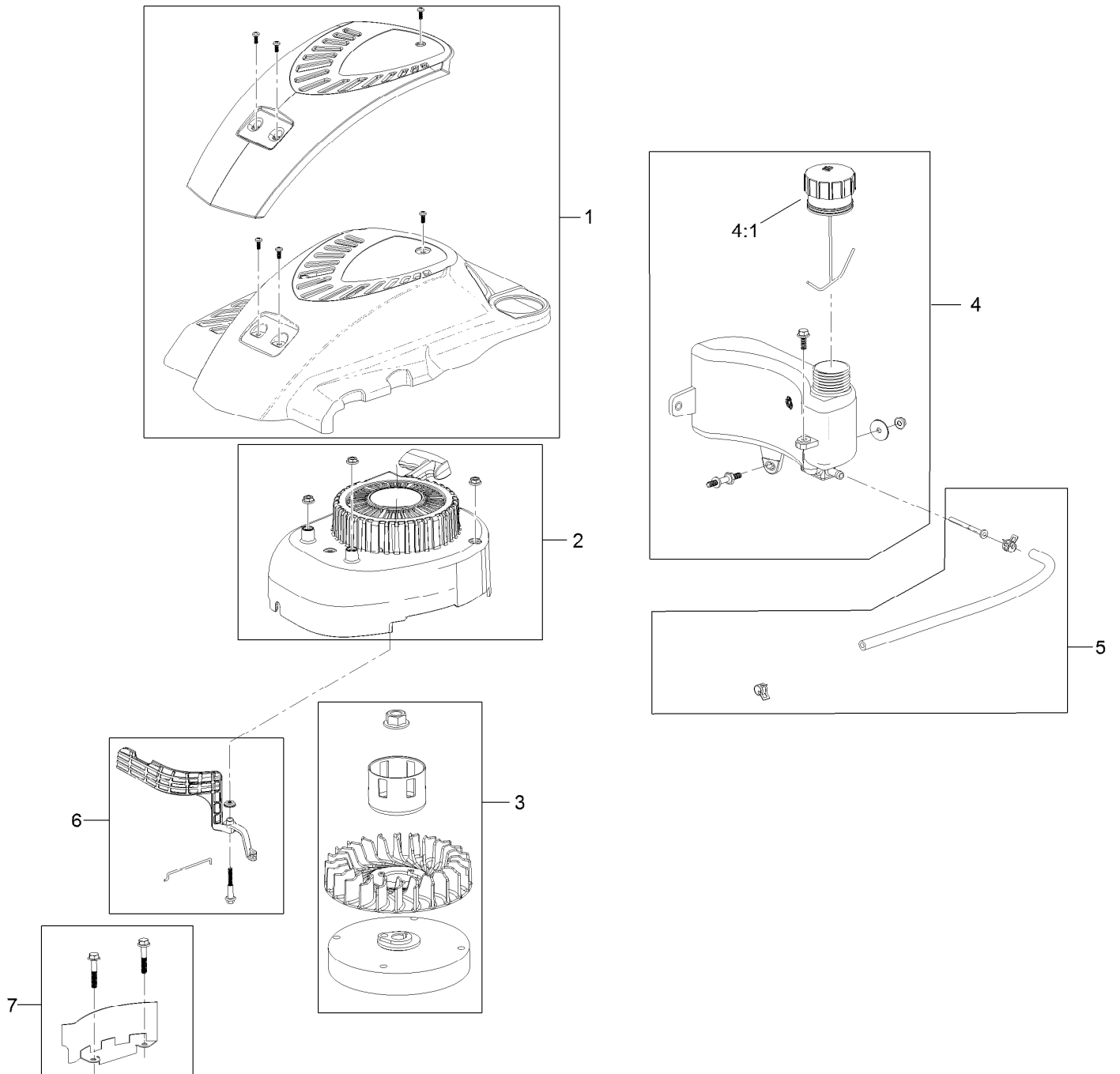




## Engine and Blade Assembly (continued)

<i>Ref.</i>	<i>Part Number</i>	<i>Qty.</i>	<i>Description</i>	<i>Ref.</i>	<i>Part Number</i>	<i>Qty.</i>	<i>Description</i>
1	120-4411	1	Engine-1P65Fc	8	125-1004	1	Driver-Blade
2	130-9743	1	Shroud	9	108-3762-03	1	Blade-Recycling
3	121-4155	3	Screw-PPH	10	125-1069-03	1	Accelerator-Blade
4	125-2505	1	Decal	11	125-2466	1	Bolt-Blade
5	130-9732	1	Decal-Engine	12	130-9728-03	1	Shield-Grass
6	117-2718	1	Decal-Arrester, Spark	13	49-2040	1	Screw-HWHTF
7	95-1727	3	Screw-Taptite				

# Shroud, Flywheel and Fuel Tank Assembly

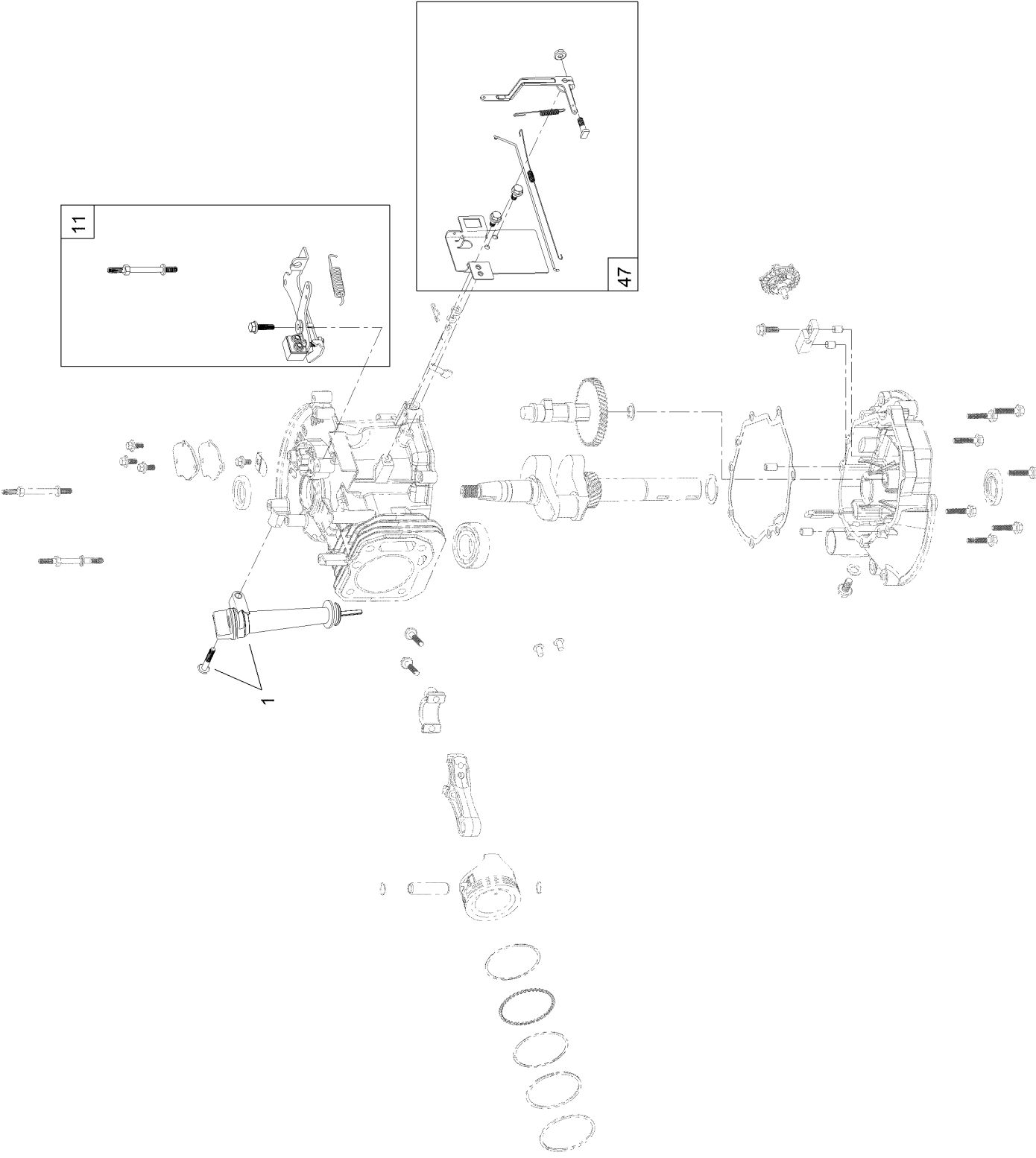


# Shroud, Flywheel and Fuel Tank Assembly (continued)

<i>Ref.</i>	<i>Part Number</i>	<i>Qty.</i>	<i>Description</i>
1	119-1990	1	Shroud ASM
2	121-4160	1	Recoil And Blower Shroud Kit
3	119-1970	1	Flywheel And Fan Kit
4	121-4162	1	Fuel Tank Kit

<i>Ref.</i>	<i>Part Number</i>	<i>Qty.</i>	<i>Description</i>
4:1	121-4163	1	Cap-Fuel
5	121-4167	1	Fuel Line Kit
6	121-4168	1	Air Vane Kit
7	119-1994	1	Flywheel Shield Kit

# Dipstick and Gasket Assembly

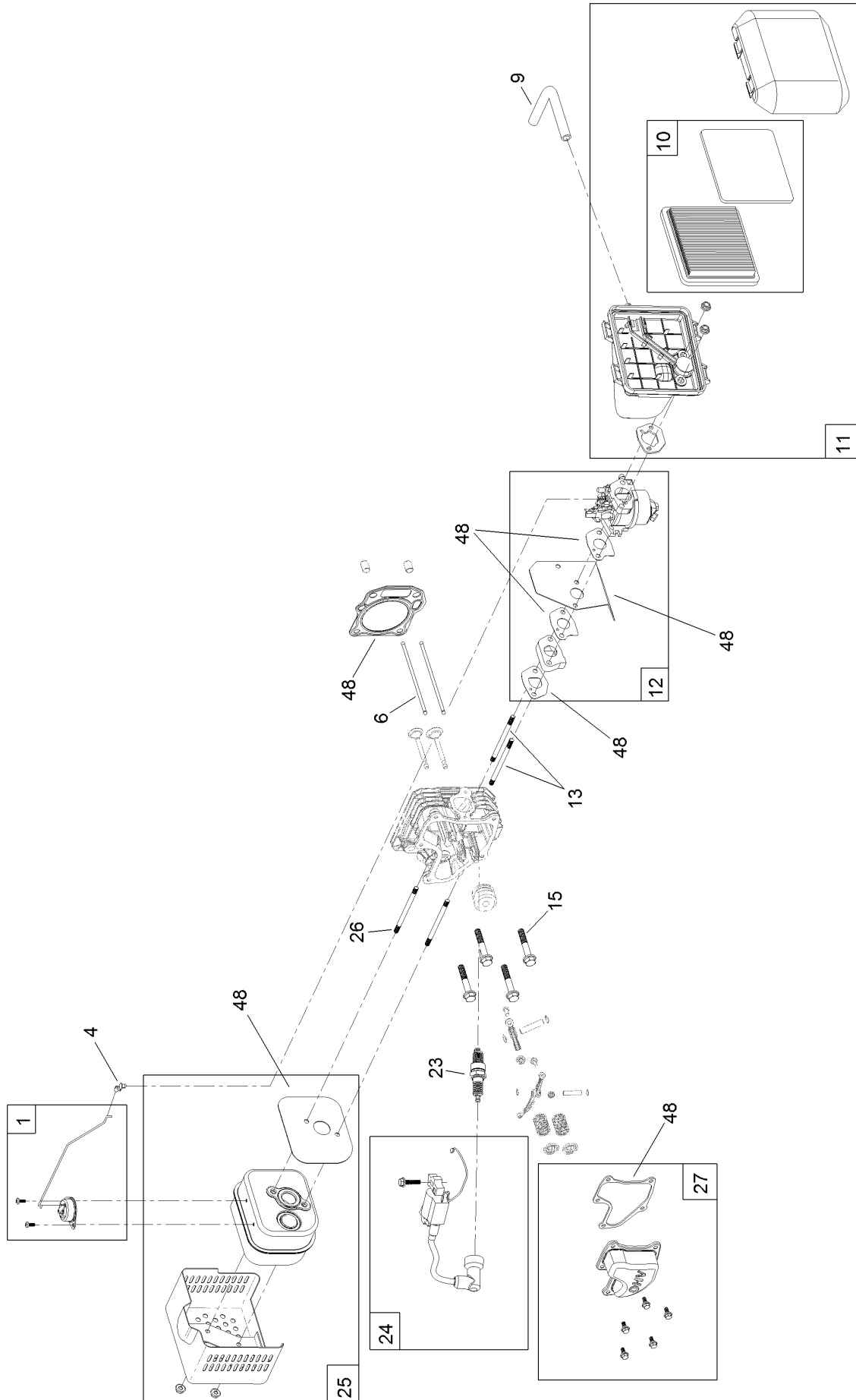


## Dipstick and Gasket Assembly (continued)

<i>Ref.</i>	<i>Part Number</i>	<i>Qty.</i>	<i>Description</i>	<i>Ref.</i>	<i>Part Number</i>	<i>Qty.</i>	<i>Description</i>
1	121-4279	1	Dipstick And Fill Tube Kit	47	119-1968	1	Governor Arm Kit
11	119-1991	1	Brake ASM Recoil Kit	48	127-9144	1	Seal And Gasket Kit ●

● Not illustrated

# Carburetor, Muffler, Air Cleaner and Valve Cover Assembly

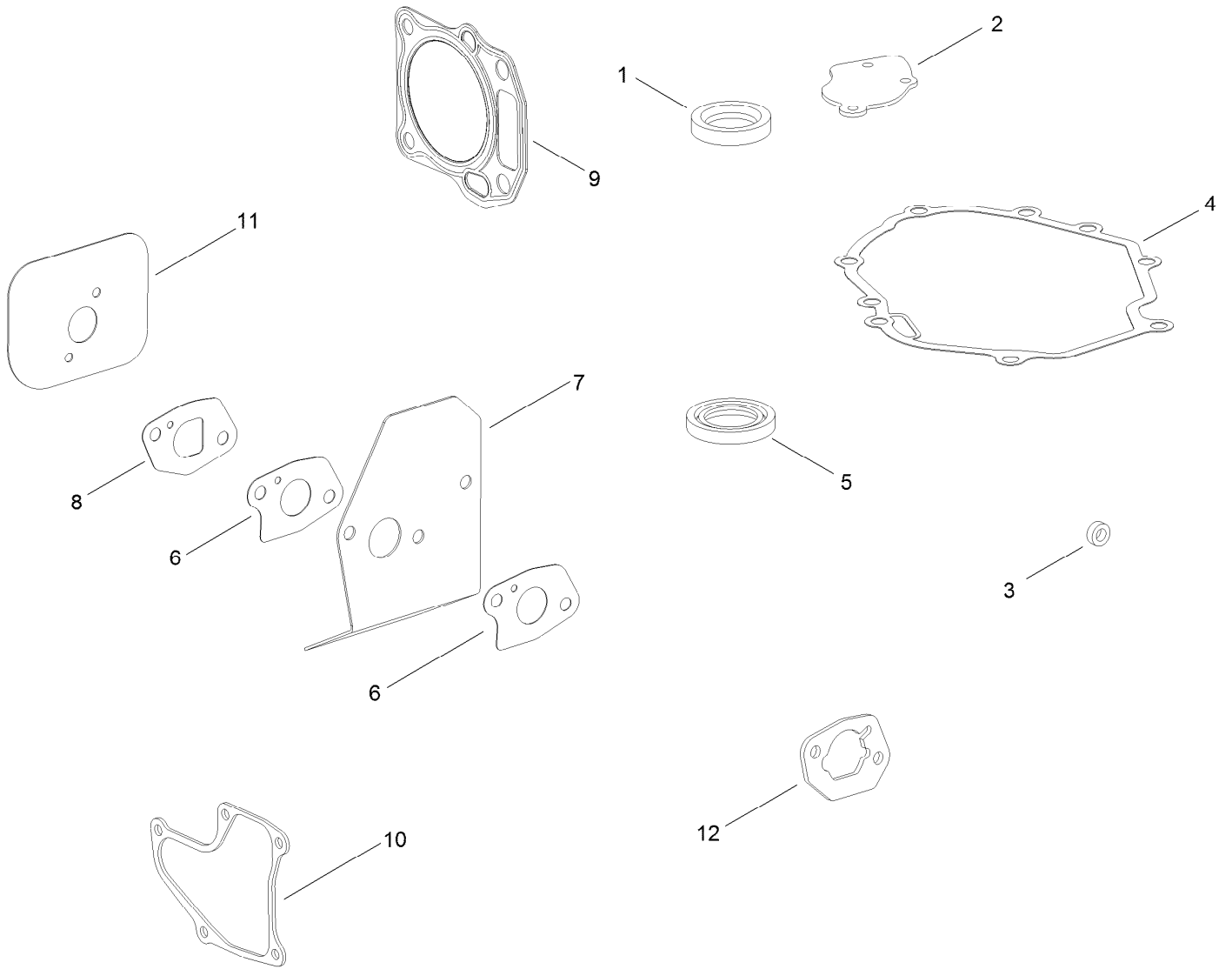


## Carburetor, Muffler, Air Cleaner and Valve Cover Assembly (continued)

<i>Ref.</i>	<i>Part Number</i>	<i>Qty.</i>	<i>Description</i>	<i>Ref.</i>	<i>Part Number</i>	<i>Qty.</i>	<i>Description</i>
1	121-4175	1	Thermal Control Kit	15	121-0043	4	Bolt-Flange
4	120-4451	1	Lock-Throttle	23	121-4199	1	Spark Plug
6	121-4193	2	Rod-Push	24	121-4186	1	Ignition Kit
9	119-1902	1	Tube-Breather	25	121-4277	1	Muffler And Shield Kit
10	119-1909	1	Air Filter And Prefilter Kit	26	121-0045	2	Stud-Exhaust
11	121-4177	1	Air Cleaner ASM Kit	27	121-4188	1	Valve Cover Kit
12	127-9145	1	Carb Replacement Kit	48	127-9144	1	Seal And Gasket Kit
12	127-9146	1	Carb Repair Kit With Gaskets	99	121-4242	1	High Altitude Kit ●
13	121-0367	2	Stud-Intake	99	133-9851	1	Complete Head ASM ●

● Not illustrated

# Seal and Gasket Kit No. 127-9144

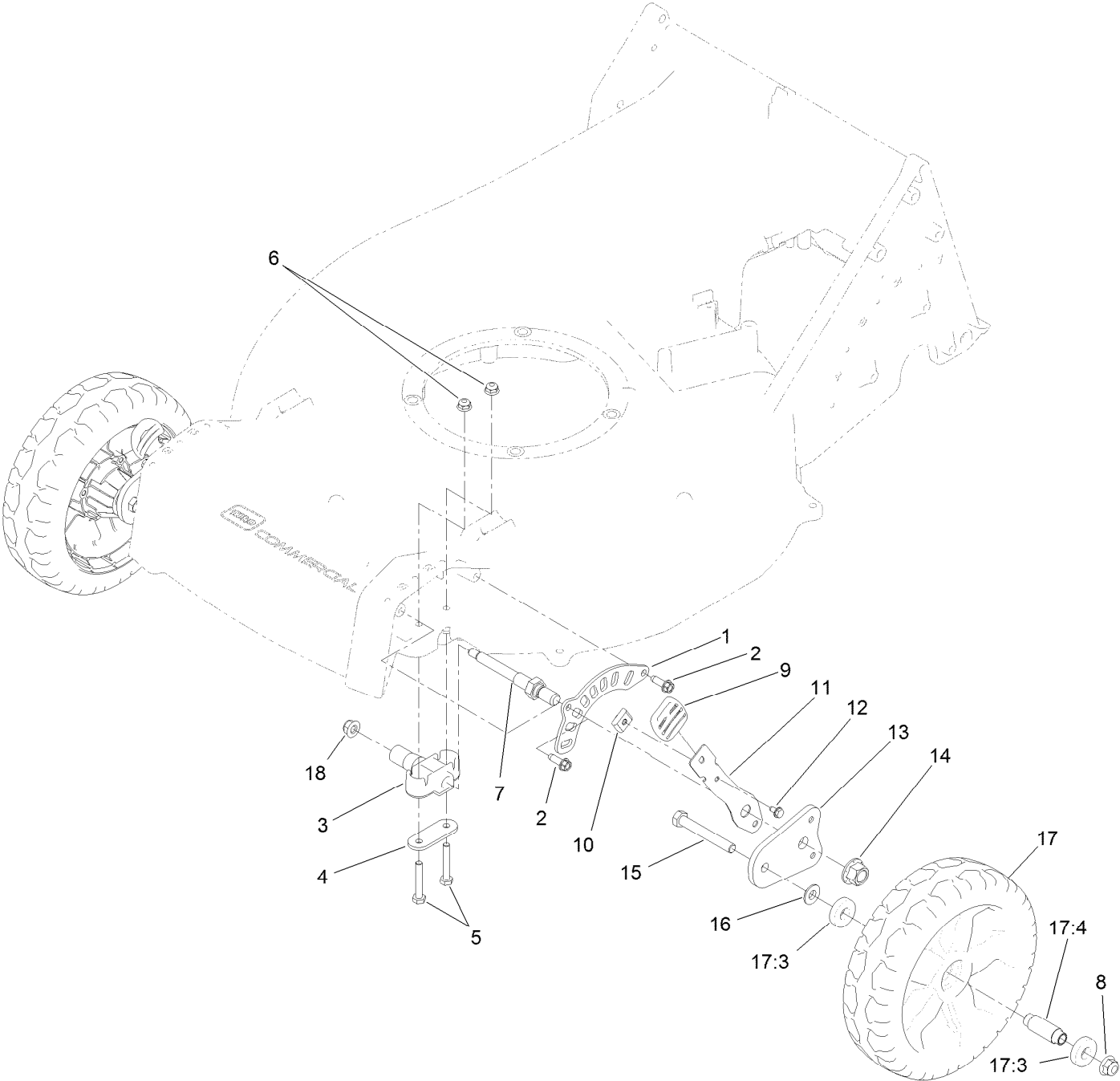




## Seal and Gasket Kit No. 127-9144 (continued)

<i>Ref.</i>	<i>Part Number</i>	<i>Qty.</i>	<i>Description</i>	<i>Ref.</i>	<i>Part Number</i>	<i>Qty.</i>	<i>Description</i>
1	121-0019	1	Seal-Oil	7	120-4446	1	Insulator-Carburetor
2	121-0020	1	Gasket-Breather	8	121-4183	1	Gasket-Intake
3	121-0021	1	Seal-Oil	9	121-4197	1	Gasket-Head
4	120-4459	1	Gasket-Cover, Case	10	121-4190	1	Gasket-Valve Cover
5	121-0022	1	Seal-Oil	11	121-0034	1	Gasket-Exhaust
6	121-4184	2	Gasket-Carburetor	12	121-4179	1	Gasket-Air Cleaner

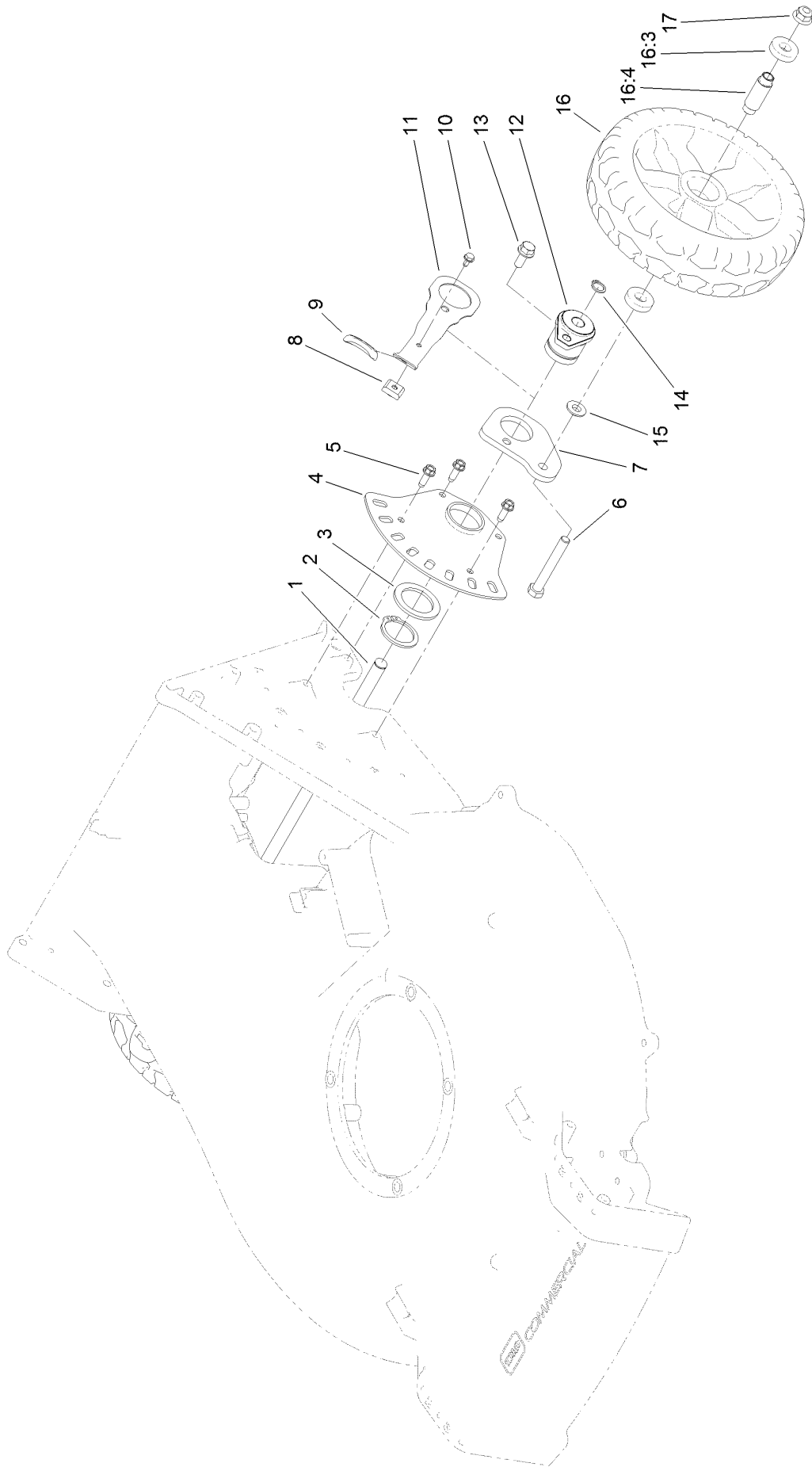
# Height-of-Cut and Wheel Assembly



## Height-of-Cut and Wheel Assembly (continued)

<i>Ref.</i>	<i>Part Number</i>	<i>Qty.</i>	<i>Description</i>	<i>Ref.</i>	<i>Part Number</i>	<i>Qty.</i>	<i>Description</i>
1	121-1439	2	Plate-HOC, Front	11	121-1431-03	2	Arm-Spring
2	49-2040	4	Screw-HWHTF	12	104-2065	2	Screw-HWH
3	136-5871	2	Bushing-Axle, Front HOC	13	130-6420	2	Arm-Pivot, Front
4	130-6434	2	Retainer-Bushing, Axle	14	99-5107	2	Nut-Lock
5	321-37	4	Screw-HH	15	323-13	2	Screw-HH
6	104-7201	4	Nut-HF	16	74-1671	2	Spacer-Cover, Wheel
7	133-2644	2	Axle-Front HOC	17	125-1080	2	Wheel
8	104-8301	2	Nut-HF, NI	17:3	133-2603	2	Bearing-Ball
9	125-1093	2	Knob-Lever, HOC	17:4	125-1077	1	Spacer
10	131-5377	2	Key-Arm, Spring	18	104-8300	2	Nut-HF, NI

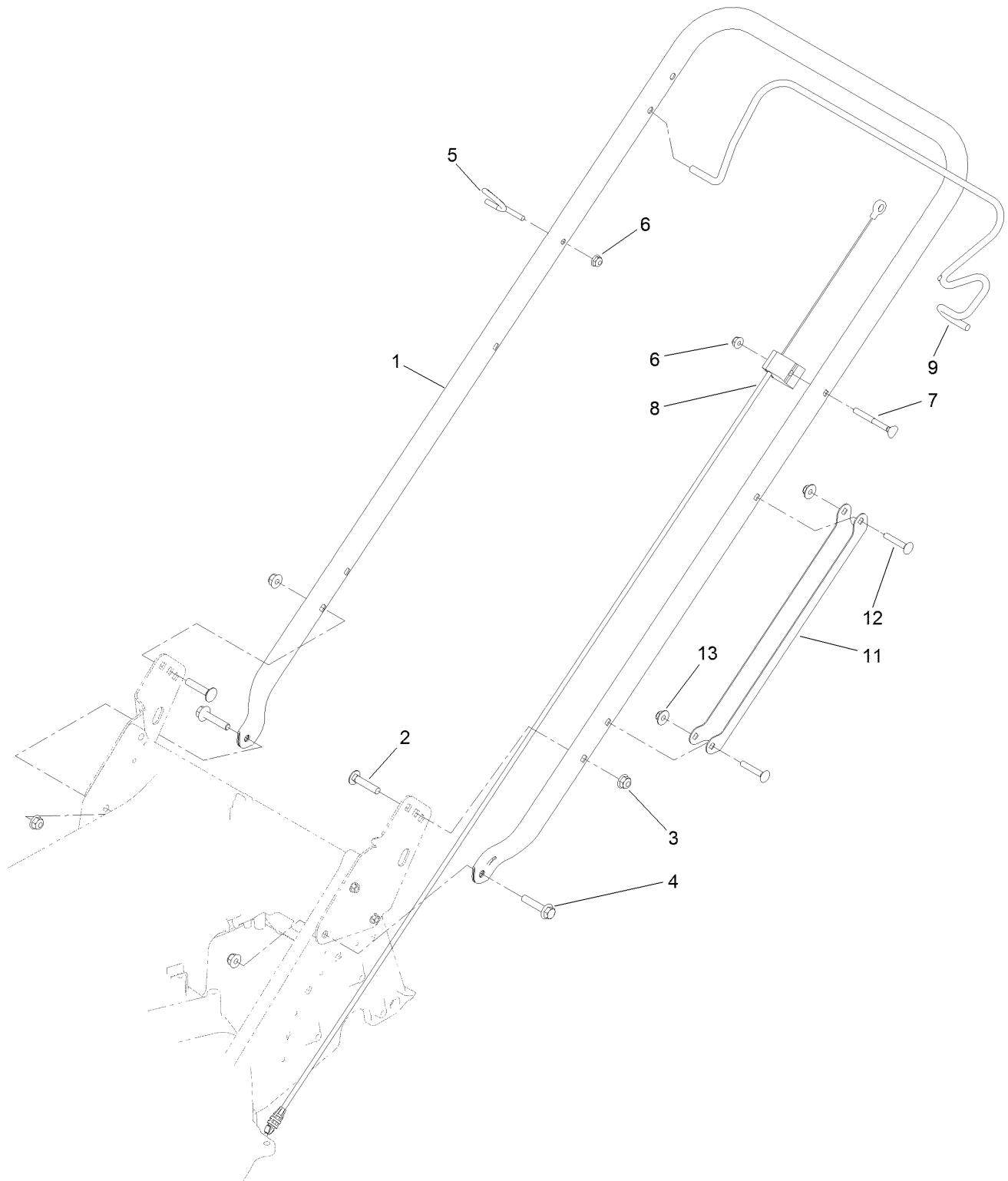
# Rear Wheel and Height-of-Cut Assembly



## Rear Wheel and Height-of-Cut Assembly (continued)

<i>Ref.</i>	<i>Part Number</i>	<i>Qty.</i>	<i>Description</i>	<i>Ref.</i>	<i>Part Number</i>	<i>Qty.</i>	<i>Description</i>
1	130-9727	1	Shaft-Rear, HOC	11	121-1448-03	2	Arm-Spring, Rear
2	32151-10	2	Ring-Retaining	12	130-9726	2	Retainer-Rear, HOC
3	98-1452	2	Washer-Thrust	13	133-2668	2	Screw-HH
4	130-6422	2	Plate-HOC, Rear	14	32151-61	2	Ring-Retaining
5	49-2040	6	Screw-HWHTF	15	74-1671	2	Spacer-Cover, Wheel
6	323-13	2	Screw-HH	16	125-1080	2	Wheel
7	133-2641	2	Arm-Pivot, Rear	16:3	133-2603	2	Bearing-Ball
8	131-5377	2	Key-Arm, Spring	16:4	125-1077	1	Spacer
9	125-1093	2	Knob-Lever, HOC	17	104-8301	2	Nut-HF, NI
10	104-2065	2	Screw-HWH				

# Handle Assembly



## Handle Assembly (continued)

<i>Ref.</i>	<i>Part Number</i>	<i>Qty.</i>	<i>Description</i>	<i>Ref.</i>	<i>Part Number</i>	<i>Qty.</i>	<i>Description</i>
1	136-5860-03	1	Handle	7	92-2270	1	Screw-Handle
2	3230-4	2	Bolt-CARR	8	130-9731	1	Cable-Brake
3	104-8300	4	Nut-HF, NI	9	125-8436-03	1	Bail-Brake
4	115-1794	2	Screw-HHF	11	127-6897-03	1	Guard-Cable, Handle
5	114-2775	1	Guide-Rope	12	108-0988	2	Screw-CARR
6	104-7201	2	Nut-HF	13	114-3778	2	Nut-Hex Flg

# Attachments and Accessories

## For 22289 21in Heavy-Duty Recycler/Rear Bagger Lawn Mower

<b>Product Name</b>	<b>Model/Part</b>
Blade-Bagging, 21in .....	125-1072-03
Cup-Anti Scalp.....	125-8440
Engine Guard Kit .....	130-9700
Deck Side Guard Kit .....	130-9701
Rear Discharge Kit.....	130-9734



**Notes:**

**Notes:**

**Notes:**



**Count on it.**