



**Count on it.**

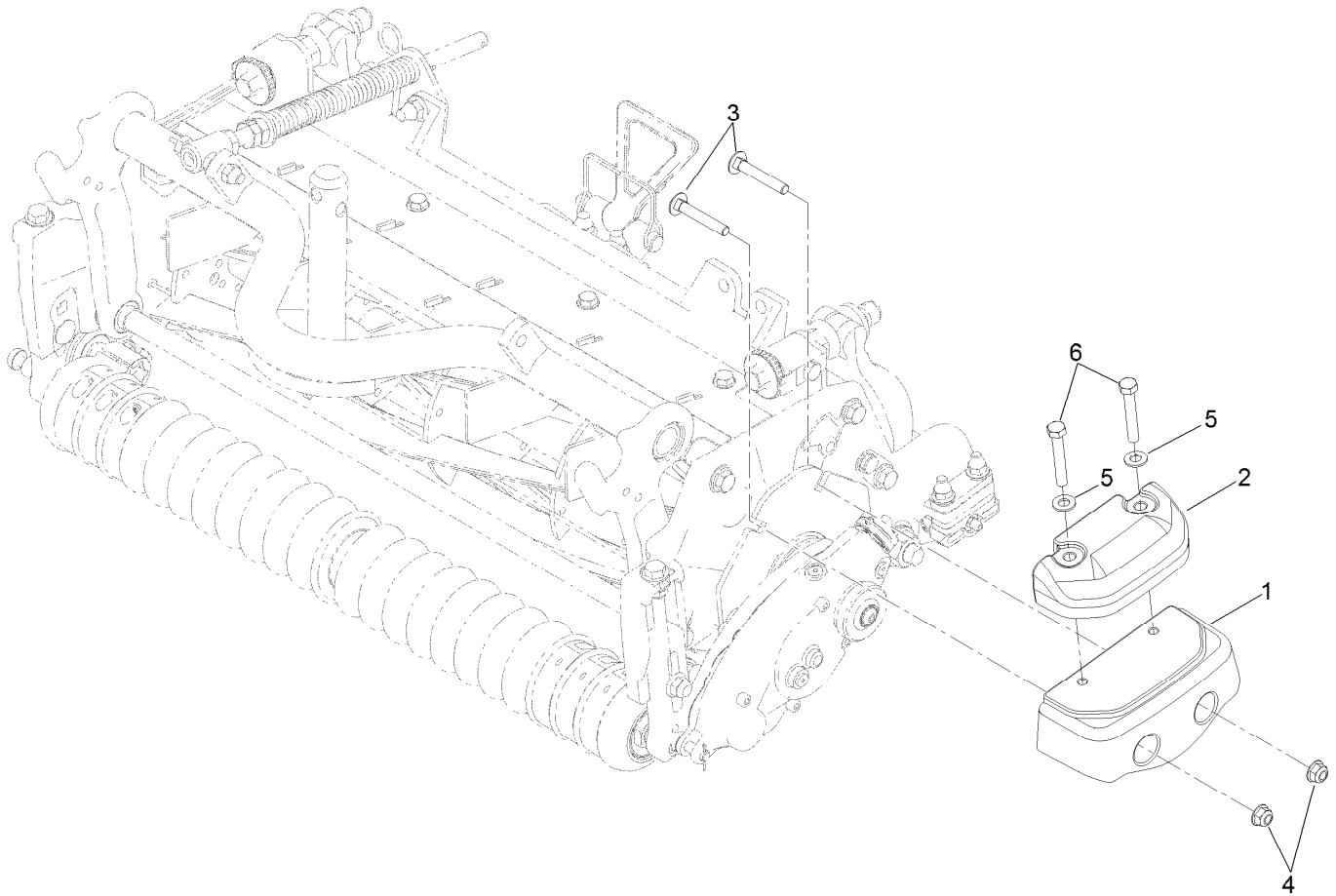
**Parts Catalog**

**Weight Kit**

**Reelmaster® 3575, 5010, or 5010-H Series  
Cutting Units with 5in Electric Reel or 7in  
Electric or Hydraulic Reel and Universal  
Groomer**

Model No. 03418





## Weight Kit Assembly

<i>Ref.</i>	<i>Part Number</i>	<i>Qty.</i>	<i>Description</i>
1	132-0735-03	5	Weight-Fairway
2	132-0747-03	5	Weight-Groomer
3	3230-6	10	Screw-CARR
4	104-8300	10	Nut-Flange, NI
5	3256-23	10	Washer-Flat
6	322-10	10	Screw-HH