



# GrandStand® Multi Force Mower

## With 52in or 60in TURBO FORCE® Cutting Unit

Model No. 74523—Serial No. 316000001 and Up

Model No. 74529—Serial No. 316000001 and Up

### Addendum

## Removing the Mower Deck

1. Shut off the engine, wait for all moving parts to stop, engage the parking brake, and remove the key.
2. Use the height-of-cut lever to lower the mower deck onto wood blocks.
3. Remove the mower-deck belt; refer to Replacing the Mower-Deck Belt in the *Operator's Manual*.
4. Remove the 2 bolts and 2 nuts connecting the strut bracket to the frame (Figure 1).

**Note:** Retain the fasteners with the strut bracket.

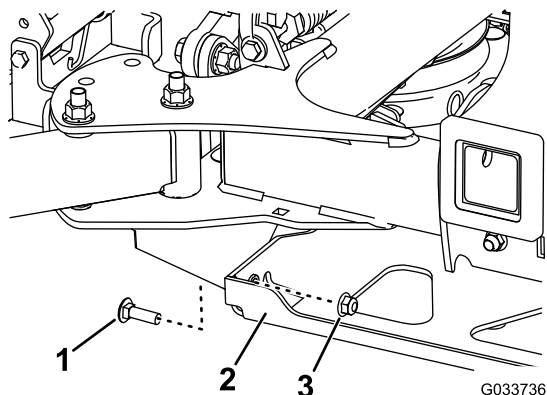


Figure 1

Right side shown

- |                  |        |
|------------------|--------|
| 1. Bolt          | 3. Nut |
| 2. Strut bracket |        |

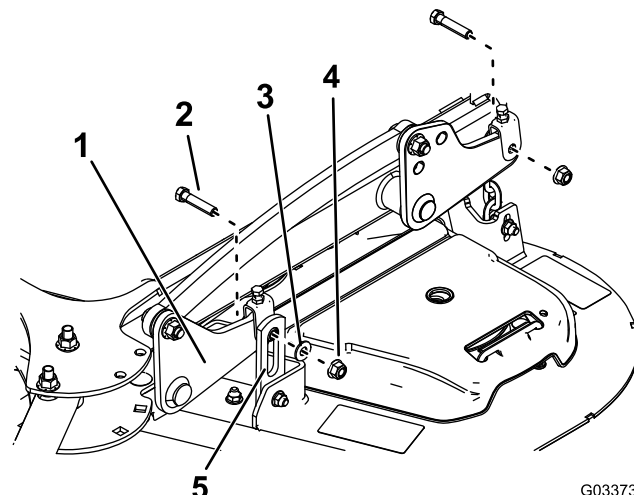


Figure 2

Left Side of 52-inch Deck Shown

- |               |                      |
|---------------|----------------------|
| 1. Lift plate | 4. Nut               |
| 2. Bolt       | 5. Mower-deck hanger |
| 3. Washer     |                      |

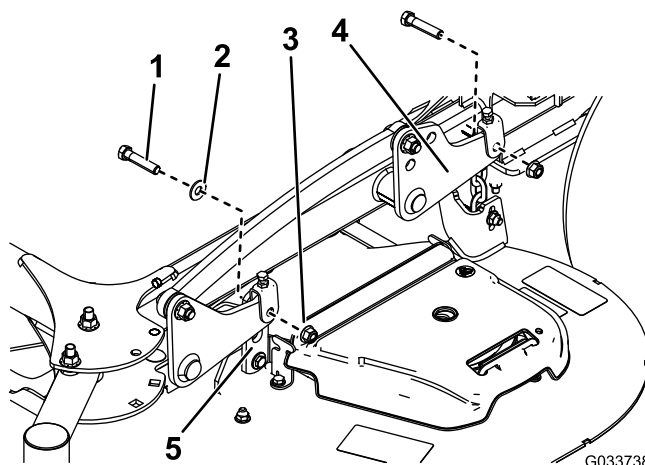


Figure 3

Left Side of 60-inch Deck Shown

- |           |                      |
|-----------|----------------------|
| 1. Bolt   | 4. Lift plate        |
| 2. Washer | 5. Mower-deck hanger |
| 3. Nut    |                      |

6. Rotate the caster wheels forward.
7. Slide the mower deck out from under the machine.



# Installing the Mower Deck

1. Slide the mower deck under the machine.
2. Rotate the caster wheels rearward.
3. Connect the deck hangers to the lift plates using the 2 bolts, 2 nuts, and 2 washers that you retained for each side of the mower deck.

**Note:** Mount the front hanger brackets on the outside of the front lift arms for 52-inch decks (Figure 2). Mount the front hanger brackets on the inside of the front lift arms for 60-inch decks (Figure 3).

**Note:** Torque the bolts to 38 to 49 N·m (28 to 36 ft-lb).

4. Install the 2 bolts that you retained to connect the strut bracket to the frame (Figure 1).

**Note:** Torque the bolts to 61 to 75 N·m (45 to 55 ft-lb).

5. Install the mower-deck belt; refer to Replacing the Mower-Deck Belt in the *Operator's Manual*.
6. Level the mower deck; refer to Leveling the Mower Deck from Side to Side and Leveling the Mower Deck from Front to Rear in the *Operator's Manual*.