

Multi-Purpose Bag

Kit No. 126-6000

Installation Instructions

⚠ WARNING

CALIFORNIA Proposition 65 Warning

This product contains a chemical or chemicals known to the State of California to cause cancer, birth defects, or reproductive harm.

Safety Alert Symbol

This Safety Alert Symbol (Figure 1) is used both in this instruction sheet and on the machine to identify important safety messages which must be followed to avoid accidents

This symbol means: **ATTENTION! BECOME ALERT! YOUR SAFETY IS INVOLVED!**



Figure 1

Safety Alert Symbol

The safety alert symbol appears above information which alerts you to unsafe actions or situations and will be followed by the word **DANGER**, **WARNING**, or **CAUTION**.

DANGER: Indicates an imminently hazardous situation which, if not avoided, **Will** result in death or serious injury.

WARNING: Indicates a potentially hazardous situation which, if not avoided, **Could** result in death or serious injury.

CAUTION: Indicates a potentially hazardous situation which, if not avoided, **May** result in minor or moderate injury.

This manual uses two other words to highlight information.

Important calls attention to special mechanical information and **Note** emphasizes general information worthy of special attention.

⚠ WARNING

While maintenance or adjustments are being made, someone could start the engine. Accidental starting of the engine could seriously injure you or other bystanders.

Remove the key from the ignition switch, engage parking brake, and pull the wire(s) off the spark plug(s) before you do any maintenance. Also push the wire(s) aside so it does not accidentally contact the spark plug(s).

Note: Determine the left and right sides of the machine from the normal operating position.

Note: Park the unit on a level surface. Make sure all moving parts have stopped, parking brake is engaged, the key has been removed, and the spark plug wire has been disconnected. Allow unit to cool before starting these instructions.

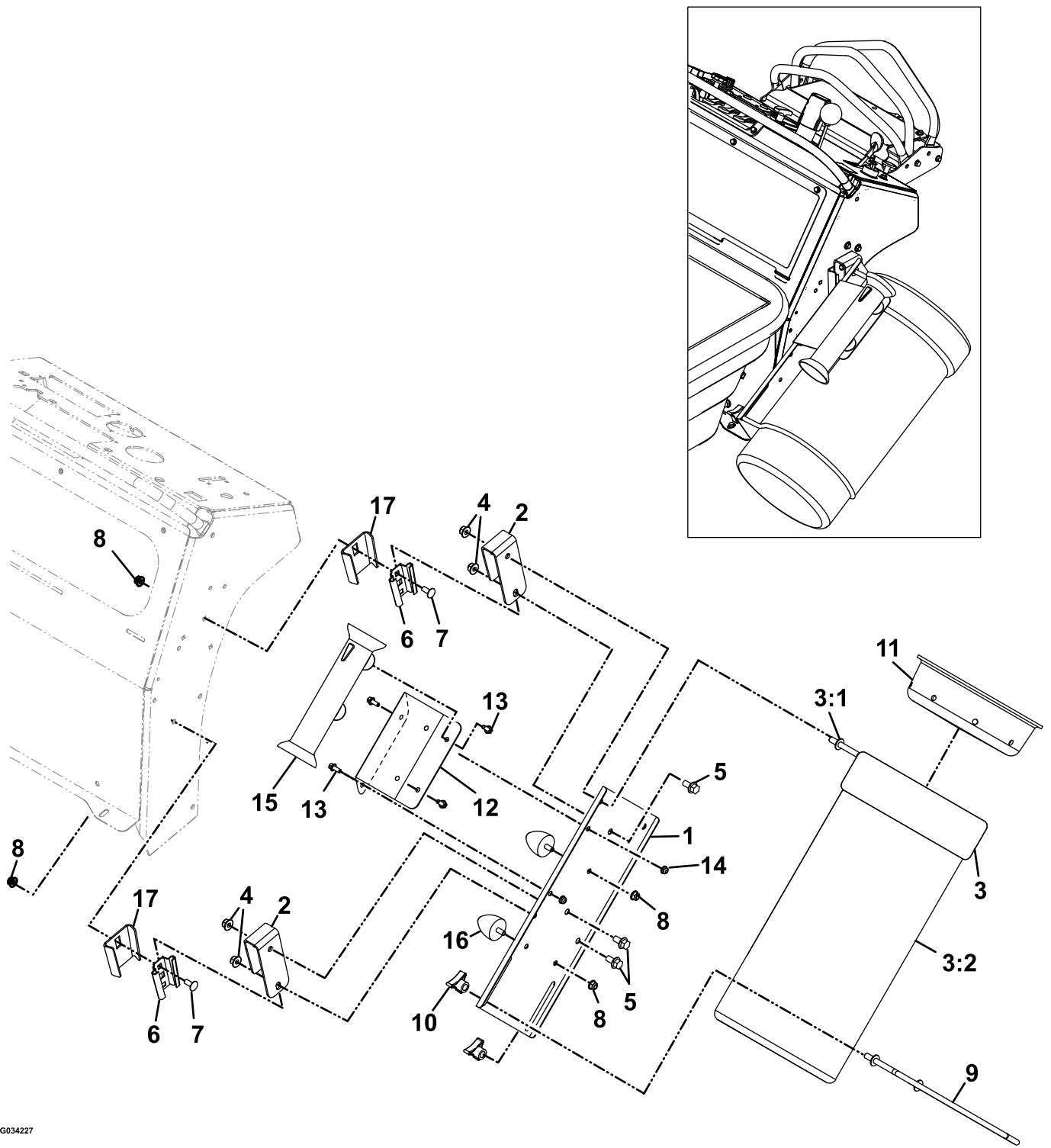


Loose Parts

Use the chart below to verify that all parts have been shipped.

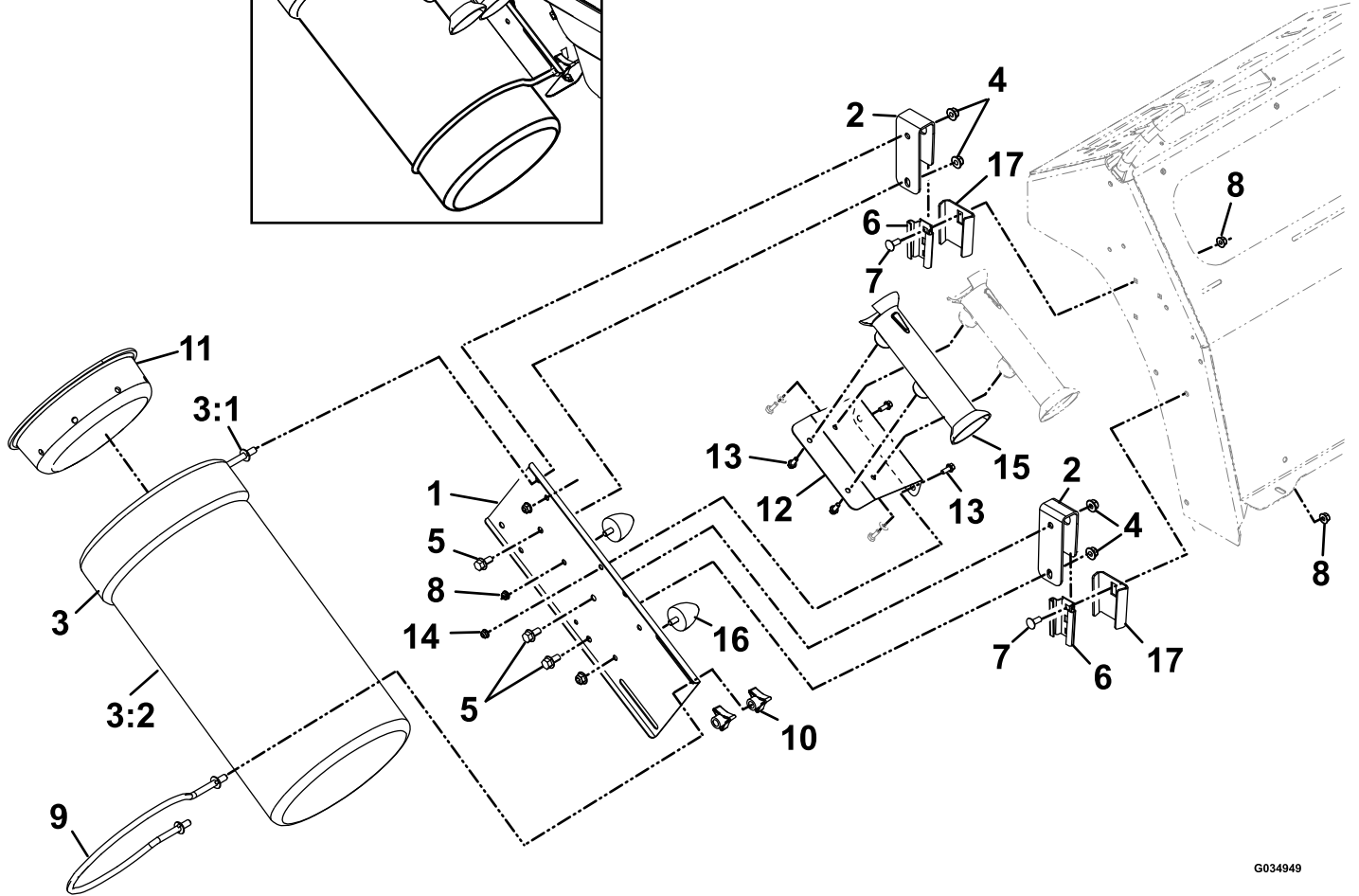
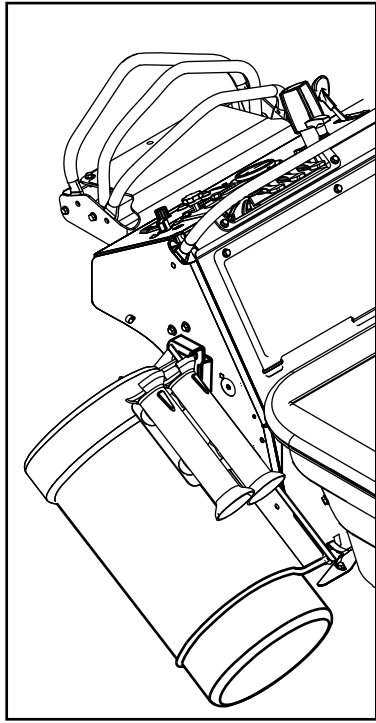
Item No.	Part No.	Description	Qty
1	126-5997-03	Bracket-Support, Tank	1
2	126-7624	Bracket-Bag Mount	2
3	126-5995	Asm-Bag And Support	1
3:1	126-5996	Rod-Support	1
3:2	126-5845	Bag-Multi-purpose	1
4	104-8301	Nut-Nyloc 3/8-16 Flg	5
5	3234-1	Screw-HH Flg 3/8-16 X 3/4	3
6	116-2222	Bracket-Mounting	2
7	3230-23	Bolt-Carriage 5/16-18 x 3/4 short neck	2
8	104-8300	Nut-Nyloc 5/16-18 Flg	4

Item No.	Part No.	Description	Qty
9	126-5996	Rod-Support	1
10	126-6078	Knob- 3 Prong [3/8-16]	2
11	126-5999	Bottom-Plastic	1
12	126-5998-03	Bracket-Holder, Wand	1
13	3234-33	Screw-HH Flg 1/4-20 X 5/8	4
14	104-7201	Nut-Nyloc 1/4-20 Flg	2
15	126-3987	Holder-Wand	1
16	114-1926	Bumper-Rubber	2
17	126-8752	Stiffener-Bracket	2



G034227

Figure 2
Left Side Mounting



G034949

Figure 3
Right Side Mounting

Installation Instructions

Important: Before starting these instructions:

—make sure to wear the appropriate Personal Protective Equipment (PPE) and follow all safety precautions as stated in the Operator’s manual.

—make sure the entire spray system has been properly cleaned.

CAUTION

Chemicals are hazardous and can cause personal injury.

- Read the directions on the chemical labels before handling the chemicals and follow all manufacturer recommendations and precautions.
- Keep chemicals away from your skin. Should contact occur, wash the affected area thoroughly with soap and clean water.
- Wear goggles, gloves, and any other protective equipment recommended by the chemical manufacturer.

Note: The multi-purpose bag can be mounted on the left or right side of the machine.

1. Install the mounting brackets.
 - A. **Left Side Mounting:** Slide the mounting bracket into the stiffener and wedge it into place. Position the mounting bracket vertically with the wide opening of the bracket pointed upward. Using two 5/16-18 x 3/4 inch carriage bolts and two 5/16 inch flanged nyloc nuts, install the mount brackets to the side of the unit as shown in [Figure 2](#) and [Figure 4](#).

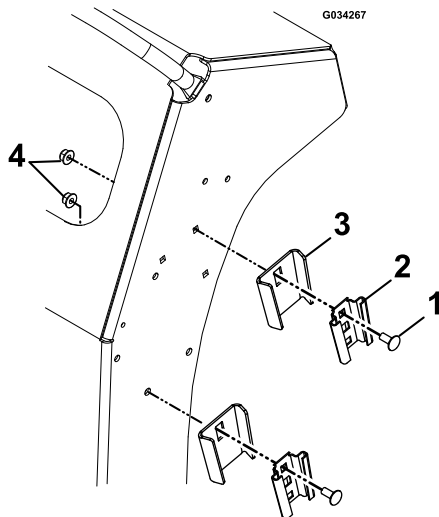


Figure 4

- | | |
|-------------------------------------|--------------------------------|
| 1. 5/16-18 x 3/4 inch carriage bolt | 3. Stiffener bracket |
| 2. Mount bracket | 4. 5/16 inch flanged nyloc nut |

- B. **For Right Side Mounting:** Remove the wand from the holder and place it to the side. Remove and retain the existing wand holder and its hardware from the machine.

Slide the mounting bracket into the stiffener and wedge it into place. Position the mounting bracket vertically with the wide opening of the bracket pointed upward (reference [Figure 3](#) and [Figure 4](#)). Using two 5/16-18 x 3/4 inch carriage bolts and two 5/16 inch flanged nyloc nuts, install the mount brackets to the side of the unit as shown in

2. Assemble the two rubber bumpers to the tank support bracket using two 5/16 flanged nyloc nuts.

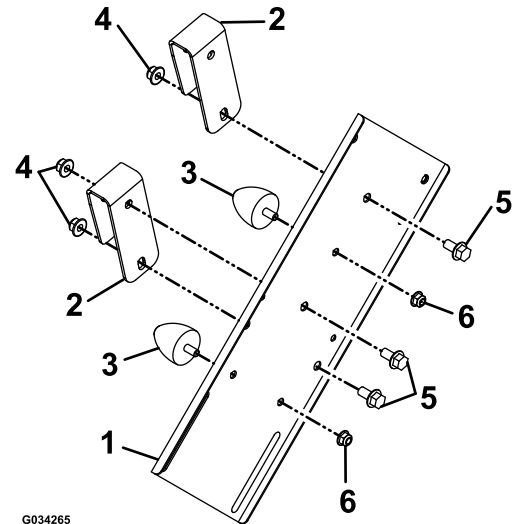


Figure 5

Left Side Mounting Shown

- | | |
|-------------------------|--------------------------------|
| 1. Tank support bracket | 4. 3/8 inch flanged nyloc nut |
| 2. Bag mount bracket | 5. 3/8-16 x 3/4 inch screw |
| 3. Rubber bumper | 6. 5/16 inch flanged nyloc nut |

3. Install the two bag mount brackets to the tank support bracket, in the locations shown in [Figure 5](#), using three 3/8-16 x 3/4 inch screws and three 3/8 inch flanged nyloc nuts.
4. **For Left Side Mounting:** Assemble the wand holder to the wand holder bracket using two 1/4-20 x 5/8 inch screws.

For Right Side Mounting: Reattach the existing wand holder to the wand holder bracket, as shown in [Figure 3](#), using the hardware removed in [B](#).

Assemble the wand holder to the wand holder bracket using two 1/4-20 x 5/8 inch screws.

5. Attach the wand holder bracket to the tank support plate with two 1/4-20 x 5/8 inch screws and two 1/4 inch flanged nyloc nuts as shown in [Figure 2](#) and [Figure 3](#).

6. Insert one support rod through the slots of the tank support bracket and secure with knobs as shown in Figure 6.

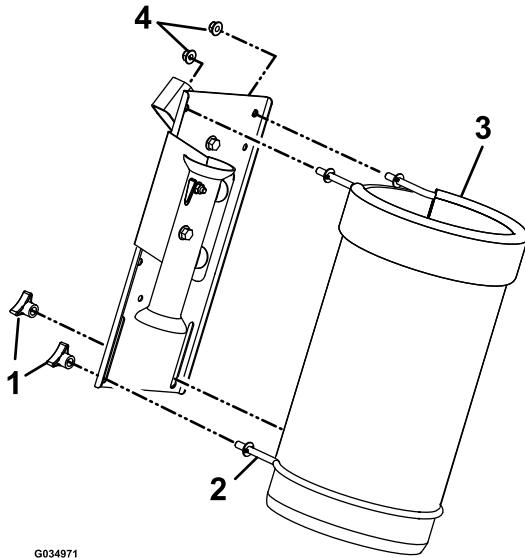


Figure 6

- | | |
|----------------------|---------------------------------------|
| 1. Knob | 3. Upper support rod and bag assembly |
| 2. Lower support rod | 4. 3/8 inch flanged nyloc nut |

7. Install the other support rod through the top bag loop and insert the rod ends into upper holes of the tank support bracket. Make sure the lower portion of the bag is inside the lower support rod.
8. Place the plastic bottom inside the bag and work it downward until seated onto the lower support rod. The bag will be pinched between the lower support rod and the plastic bottom.
9. Install the bag assembly onto the machine by sliding the bag mount brackets down into the brackets installed in step 1.
10. **For Right Side Mounting:** Reinstall the spray wand into its holder.

Bag Removal

To remove the bag:

- **For Left Side Mounting:** Slide the tank bracket assembly upward and out of the mount brackets.
- **For Right Side Mounting:**
 1. Remove the spray wand from its holder.
 2. Slide the tank bracket assembly upward and out of the mount brackets.
 3. Remove and retain the wand holder and its mounting hardware, from the wand holder bracket, and reinstall it back onto the machine.
 4. Reinstall the spray wand into its holder.