



**21in Mulching/Rear Bagging
Lawn Mower**

Model No. 10739—Serial No. 316000001 and Up

Parts Catalog



Ordering Replacement Parts

To order replacement parts, please supply the part number, the quantity, and the description of each part desired.

Understanding Reference Numbers

Each identified part in an illustration has a reference number. The reference number for a part also appears in the parts list, along with other information about the part.

This catalog uses two special reference number formats, one to indicate parts in a service assembly and another to indicate the quantity of a given part in an illustration.

Service Assembly Reference Numbers

Parts in service assemblies have reference numbers in the form a:b. The a represents the reference number of the entire service assembly and the b represents a sequential number unique to each part within the service assembly.

For example, a wheel assembly might be identified by reference number 6, the tire by 6:1, the valve by 6:2, and the wheel by 6:3. When you order the assembly identified by reference number 6, you receive all parts identified by reference numbers 6:1, 6:2, and 6:3. However, you may also order any part individually. Reference numbers of this type appear in illustration and in parts lists.

Reference Numbers Indicating Quantity

In an illustration, if a reference number indicates more than one part, the reference number has the form nX y. The n represents the quantity of the part, the X is the multiplication symbol, and the y represents the reference number.

For example, in an illustration, the reference number 2X 37 means that two of the parts identified by reference number 37 are indicated.

List of Abbreviations

AR: as required

ASM: assembly

BBC: blade brake control

BHTF: button head thread forming

CARR: carriage

CCW: counter clockwise

CW: clockwise

DEG: degrees

DPA: Dual Point Adjustment

ECM: electronic control module

EXT: external

FH: flat head

GA: gauge

HD: heavy-duty

HF: hex flange

HH: hex head

HHF: hex head flange

HHFTF: hex head flange thread forming

HJ: hex jam

HLH: hex lag head

HOC: height-of-cut

HP: high pressure

HSBH: hex socket button head

HSFH: hex socket flat head

HSH: hex socket head

HWH: hex washer head

HWHTF: hex washer head thread forming

HYD: hydraulic

LH: left hand

LP: low pressure

LPG: Liquefied Petroleum Gas

NI: nylon insert

NPTF: national pipe thread fine

PFH: phillips flat head

PPH: phillips pan head

PPHTF: phillips pan head thread forming

PRH: phillips round head

PTH: phillips truss head

PTO: power-take-off

RH: right hand

ROPS: roll-over protection system

RRB: rear roller brush

SFH: slotted fillister head

SHH: slotted hex head

SHWH: slotted hex washer head

SPH: slotted pan head

SQH: square head

SRH: slotted round head

STD: standard

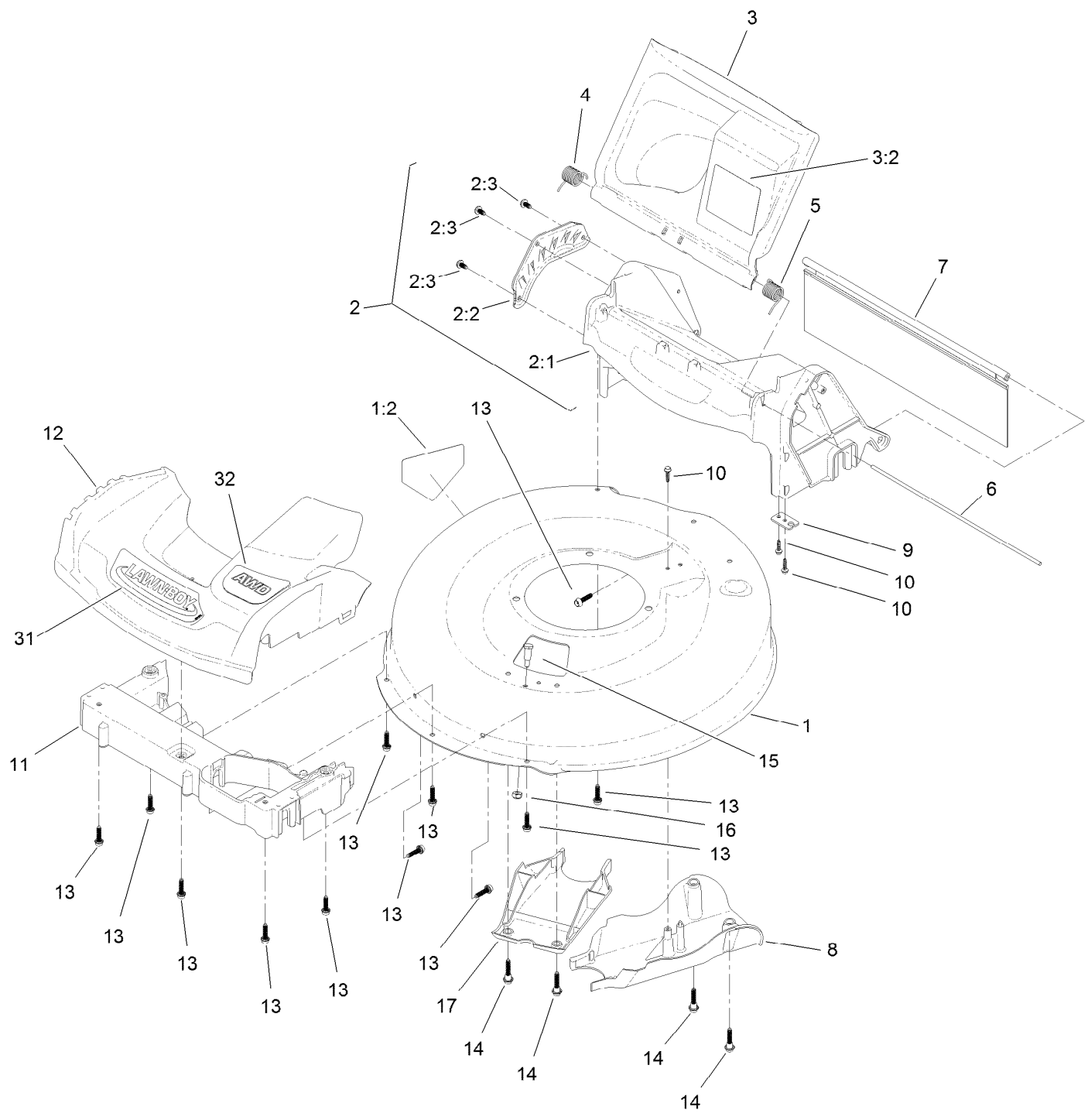
TAP: self tapping

TTH: torx truss head

Contents

Deck, Side Chute and Rear Door Assembly	4
Rear Bag Assembly	6
Engine and Blade Assembly	8
Front Wheel Assembly	10
Rear Wheel Assembly	12
Handle Assembly	14
Attachments and Accessories	16

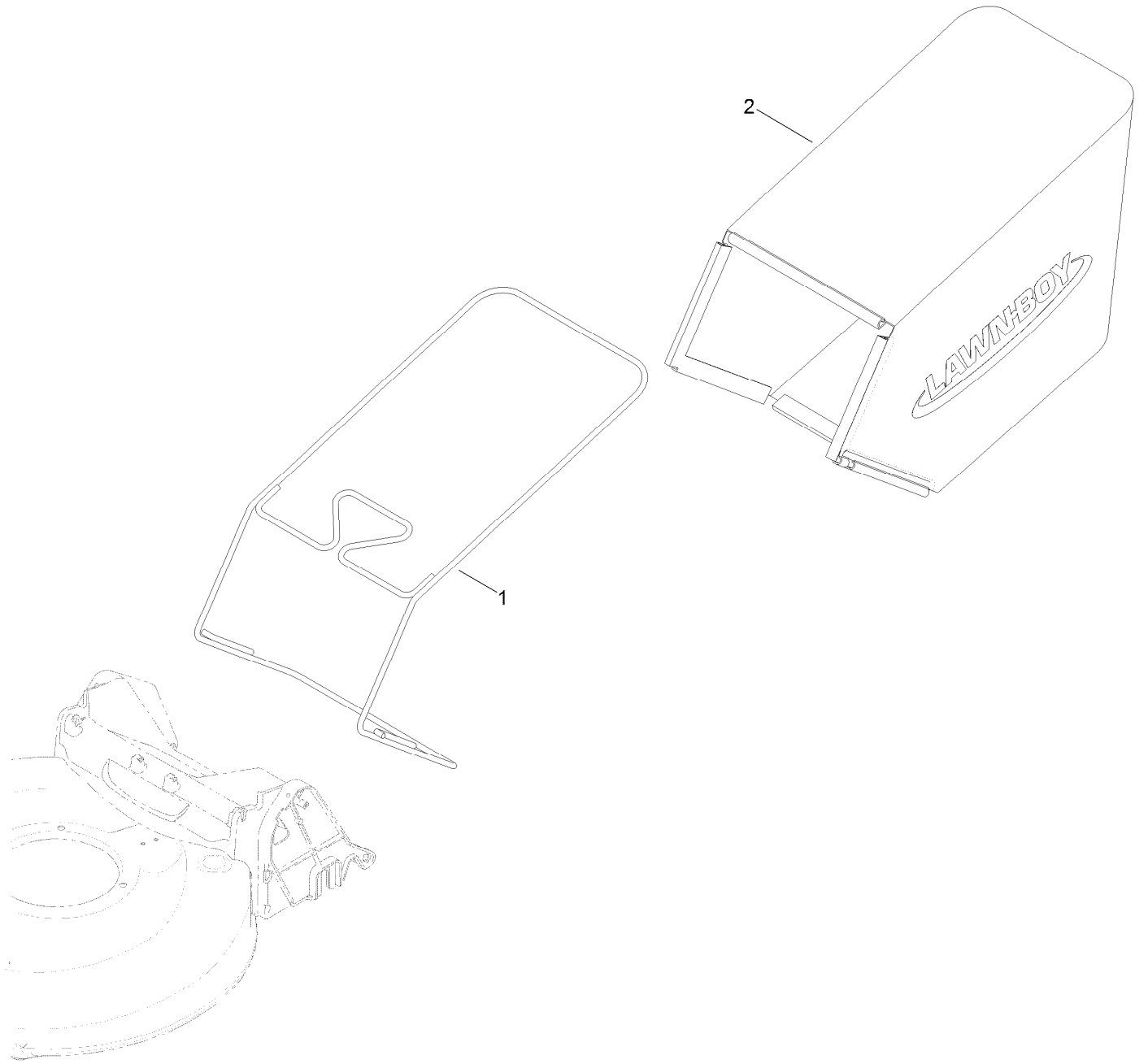
Deck, Side Chute and Rear Door Assembly



Deck, Side Chute and Rear Door Assembly (continued)

<i>Ref.</i>	<i>Part Number</i>	<i>Qty.</i>	<i>Description</i>	<i>Ref.</i>	<i>Part Number</i>	<i>Qty.</i>	<i>Description</i>
1	132-4532	1	Housing ASM	8	131-0852	1	Cover-Belt
1:2	94-8072	1	Decal-Danger	9	127-0730	1	Bracket-Cable
2	133-1913	1	Chute ASM	10	127-6831	3	Screw-HWH
2:1	133-1912	1	Chute-Sp/Awd	11	131-0864	1	Mount-Bumper
2:2	133-1905-03	1	Plate-HOC	12	131-0876	1	Bumper
2:3	133-1936	3	Screw-Bosscrew, Ph Internaltorx	13	130-6658	12	Screw-Flange, Serrated
3	130-2368	1	Rear Deflector ASM	14	131-0837	4	Screw-Shoulder, Hfh
3:2	117-4143	1	Decal-Warning	15	119-9812	1	Bolt-Shoulder
4	127-6807	1	Spring-Torsion	16	3296-16	1	Nut-Lock, NI
5	127-6808	1	Spring-Torsion	17	133-1969	1	Cover-Belt, Front
6	127-0698	1	Rod-Door	31	132-4541	1	Decal-Deck
7	127-0724	1	Shield-Trailing	32	132-4542	1	Decal-Cover

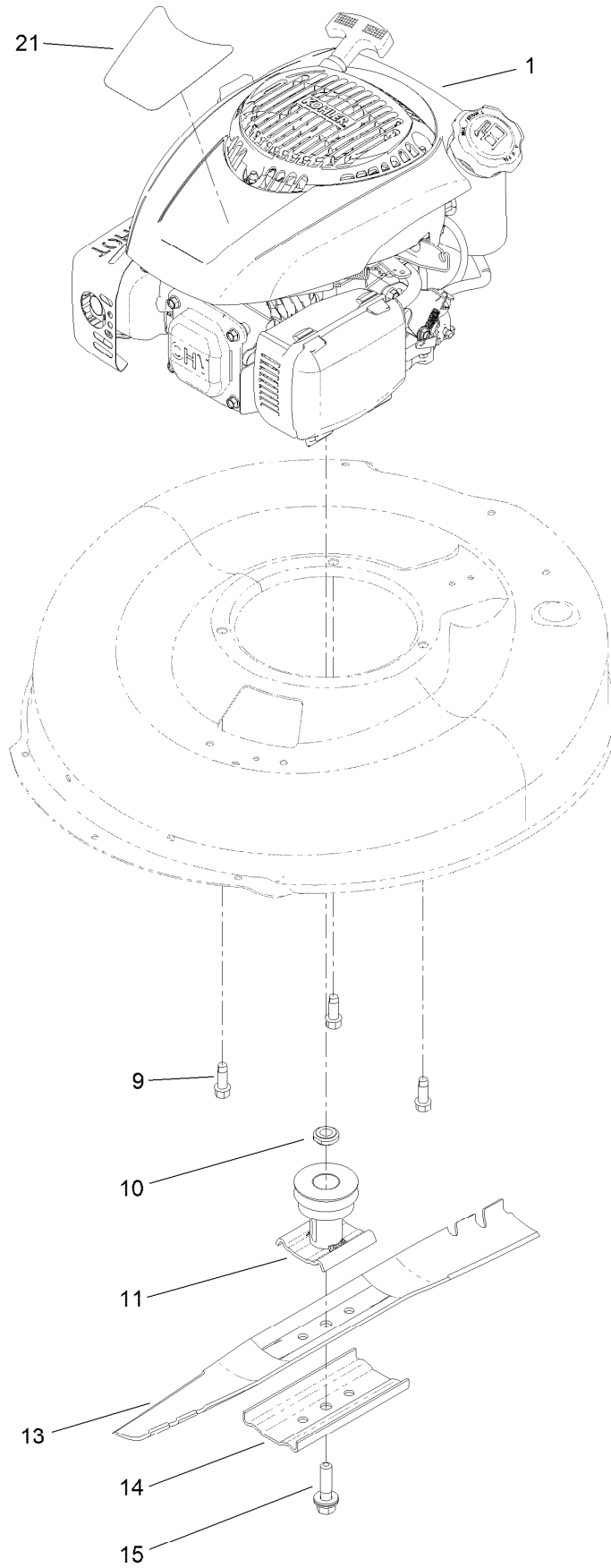
Rear Bag Assembly



Rear Bag Assembly (continued)

<i>Ref.</i>	<i>Part Number</i>	<i>Qty.</i>	<i>Description</i>
1	131-9697-03	1	Frame-Bag
2	127-0701	1	Grass Bag ASM

Engine and Blade Assembly



Engine and Blade Assembly (continued)

<i>Ref.</i>	<i>Part Number</i>	<i>Qty.</i>	<i>Description</i>	<i>Ref.</i>	<i>Part Number</i>	<i>Qty.</i>	<i>Description</i>
1		1	Engine-Kohler Xtx650-2100 ●■	13	108-0954-03	1	Blade-21 Inch
9	95-1726	3	Screw-Taptite	14	108-3766-03	1	Support-Blade
10	106-3999	1	Spacer-Driver	15	125-2466	1	Bolt-Blade
11	130-6705	1	Driver-Blade	21	132-4549	1	Decal-Shroud

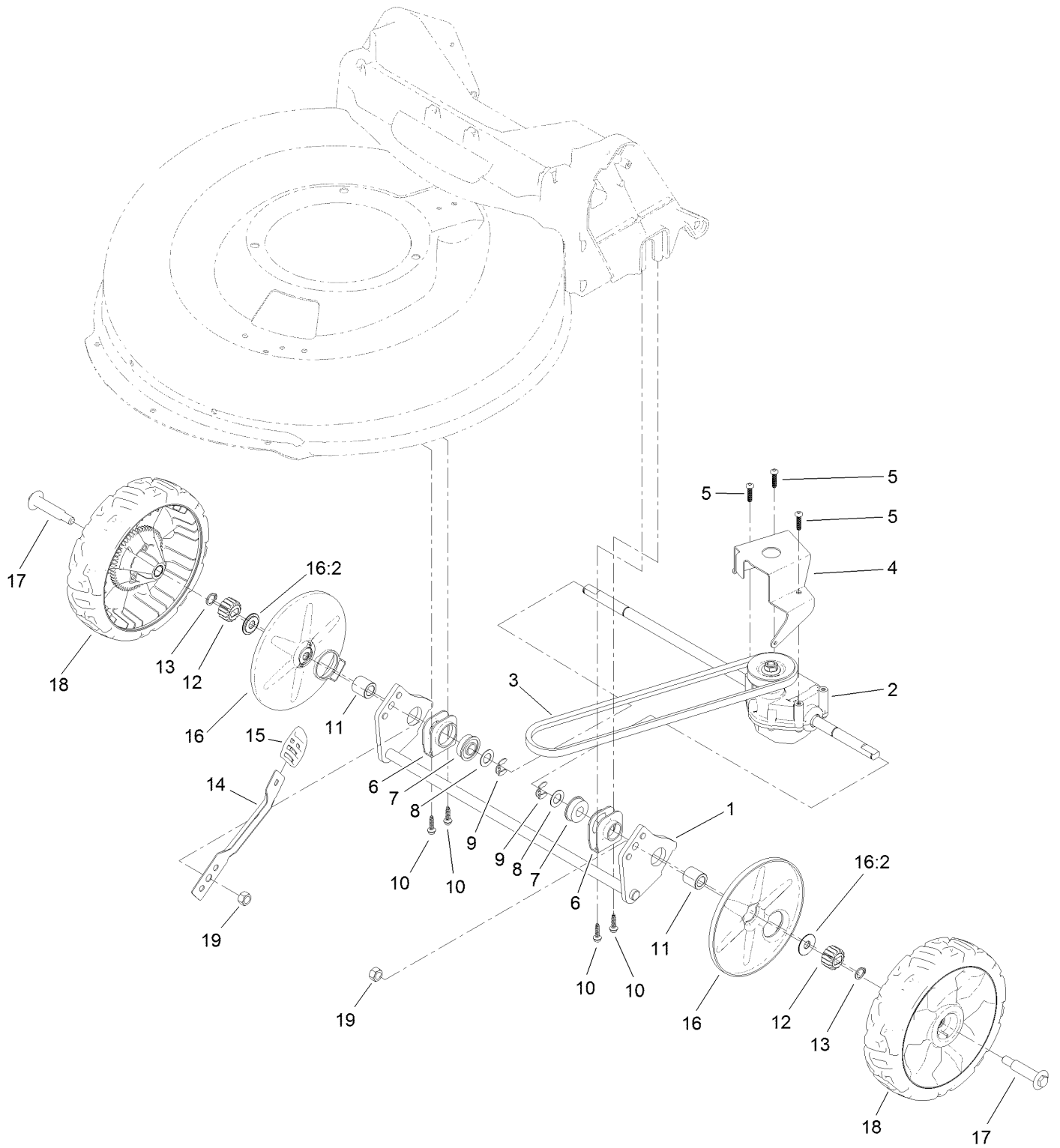
● Not serviced separately

■ Obtain parts from www.kohlerplus.com

Front Wheel Assembly (continued)

<i>Ref.</i>	<i>Part Number</i>	<i>Qty.</i>	<i>Description</i>	<i>Ref.</i>	<i>Part Number</i>	<i>Qty.</i>	<i>Description</i>
1	131-0833-03	1	Axle-Front	13	32151-61	2	Ring-Retaining
2	131-0842	1	Arm-Spring	14	127-6840	2	Wheel Cover ASM
3	46-6810	1	Screw And Washer ASM	14:2	614426	1	Washer-Stepped
4	105-3042	1	Knob-Lever, HOC	15	132-4535	2	8 Inch Wheel ASM (Front, White)
5	127-0707	2	Retainer-Bearing	16	92-1057	2	Bolt-Shoulder
6	104-8699	2	Bearing-Ball	17	125-5069	2	Nut-Hex
7	127-6831	4	Screw-HWH	18	131-0877-03	1	Bracket-Anchor, Cable
8	131-0845	1	Transmission	19	130-6658	1	Screw-Flange, Serrated
9	125-1011	1	Belt-V	20	131-4560	1	Spring-Extension
10	114-7978-03	1	Bracket-Transmission	21	110-7179	1	Washer-Plain
11	108-7476	3	Screw-Plastite				
12	131-0896	2	Gear-Pinion, 13T				

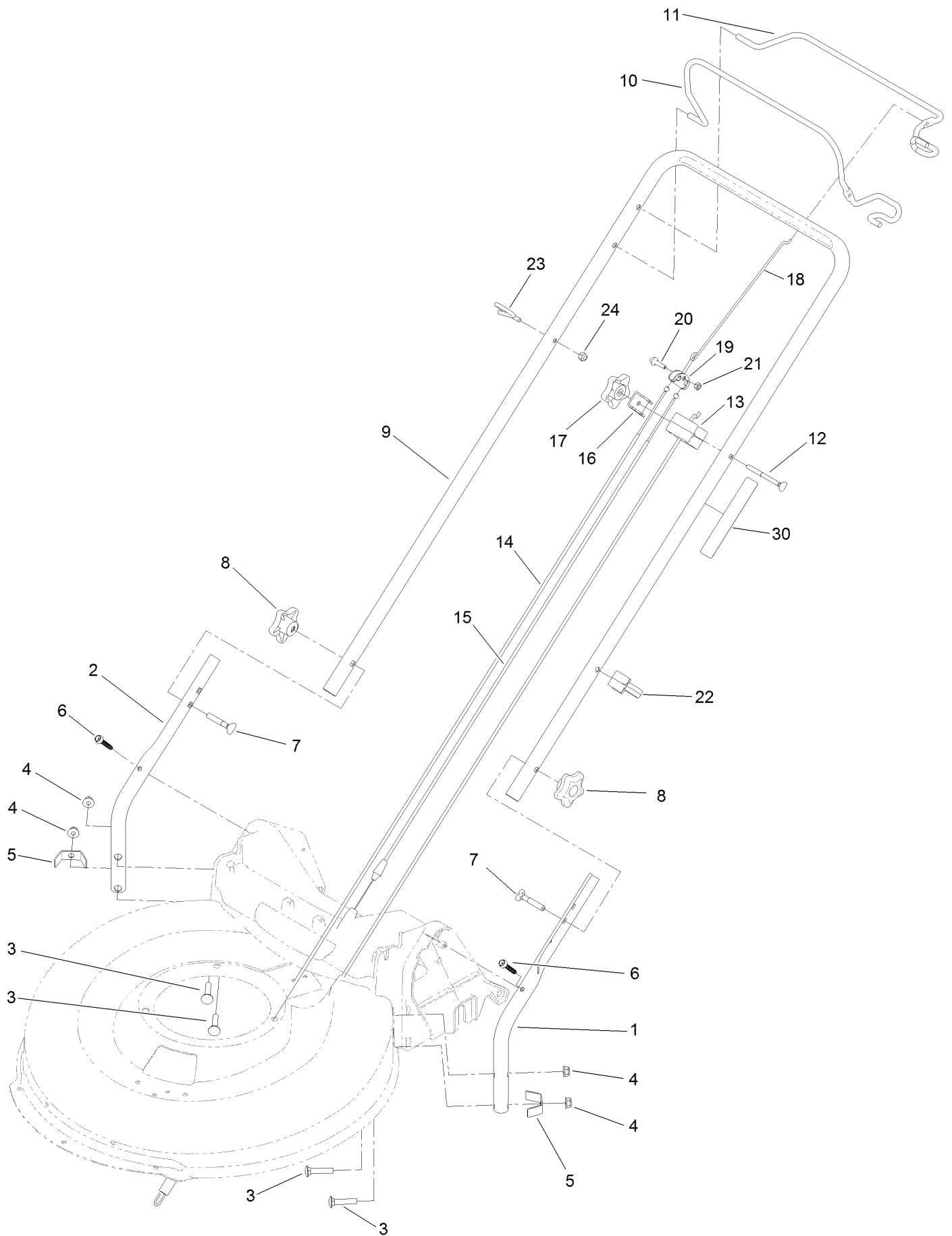
Rear Wheel Assembly



Rear Wheel Assembly (continued)

<i>Ref.</i>	<i>Part Number</i>	<i>Qty.</i>	<i>Description</i>	<i>Ref.</i>	<i>Part Number</i>	<i>Qty.</i>	<i>Description</i>
1	127-0708-03	1	Axle-Rear	11	127-6896	2	Bushing-Sleeve
2	130-6734	1	Transmission	12	131-0875	2	Gear-Pinion, 15T
3	110-9429	1	V-Belt	13	32151-61	2	Ring-Retaining
4	114-7977-03	1	Bracket-Transmission	14	127-0711	1	Arm-Spring
5	108-7476	3	Screw-Plastite	15	105-3042	1	Knob-Lever, HOC
6	127-0707	2	Retainer-Bearing	16	127-6840	2	Wheel Cover ASM
7	104-8699	2	Bearing-Ball	16:2	614426	1	Washer-Stepped
8	36-4780	2	Washer-Plain	17	92-1057	2	Bolt-Shoulder
9	65-2720	2	Ring-Clip, Locking	18	132-4538	2	8 Inch Wheel Gear ASM
10	127-6831	4	Screw-HWH	19	125-5069	2	Nut-Hex

Handle Assembly



Handle Assembly (continued)

<i>Ref.</i>	<i>Part Number</i>	<i>Qty.</i>	<i>Description</i>	<i>Ref.</i>	<i>Part Number</i>	<i>Qty.</i>	<i>Description</i>
1	127-0657-05	1	Handle-Lower, LH	14	133-1914	1	Cable - Traction, Front
2	127-0658-05	1	Handle-Lower, RH	15	133-1915	1	Cable - Traction, Rear
3	130-6654	4	Screw-CARR	16	130-6704	1	Clamp-Cable
4	130-6655	4	Nut-Flange, NI	17	131-0897	1	Knob-Handle, Locking
5	127-0699	2	Bracket-Chute	18	131-4515	1	Linkage, Equalizer
6	130-6659	2	Screw-Flange, Serrated	19	130-6719	1	Yoke-Cable
7	92-2260	2	Screw-Handle	20	132-4519	1	Screw-Shoulder
8	117-5976	2	Knob-Handle	21	3296-2	1	Nut-Lock, NI
9	127-0659-05	1	Handle-Upper	22	114-7988	1	Guide-Cable
10	127-0718-03	1	Bail-Brake	23	86-9671	1	Guide-Rope
11	127-0719-03	1	Bail-Traction	24	3296-73	1	Nut-Lock, NI
12	92-2267	1	Screw-Handle	30	133-1992	1	Decal-Traction, Adjust
13	132-4533	1	Cable-Brake				

Attachments and Accessories

For 10739 21in Mulching/Rear Bagging Lawn Mower

Product Name	Model/Part
Lawn-Boy Paint	110-8800
Lawn-Boy Premium Fuel Treatment .5 Oz	130-6653
Lawn Striping Kit with 22in Roller.....	20601
Lawn-Boy WPM Cover	215326
21in Lawn-Boy Replacement Bag.....	89500
21in Lawn-Boy Bag and Frame Kit	89501
Side-Discharge Deflector.....	89502
Lawn-Boy Oil	89885
21in Blade.....	89914P

Notes:

Notes:

Notes:

