



**Ultra Sonic Boom™ Finishing Kit**  
**2013 and After Multi Pro® WM Turf Sprayer**  
Model No. 133-2808

**Installation Instructions**

**▲ WARNING**

**CALIFORNIA**  
**Proposition 65 Warning**

This product contains a chemical or chemicals known to the State of California to cause cancer, birth defects, or reproductive harm.

Use of this product may cause exposure to chemicals known to the State of California to cause cancer, birth defects, or other reproductive harm.

This product complies with all relevant European directives. For details, please see the separate product specific Declaration of Incorporation (DOI) sheet.



# Installation

**Important:** You will install this kit while installing the Ultra Sonic Boom Leveling Kit.

**Note:** Determine the left and right sides of the machine from the normal operating position.

## Preparing the Machine

### ⚠ CAUTION

If you leave the key in the ignition switch, someone could accidentally start the engine and seriously injure you or other bystanders.

Remove the key from the ignition switch before you install the kit.

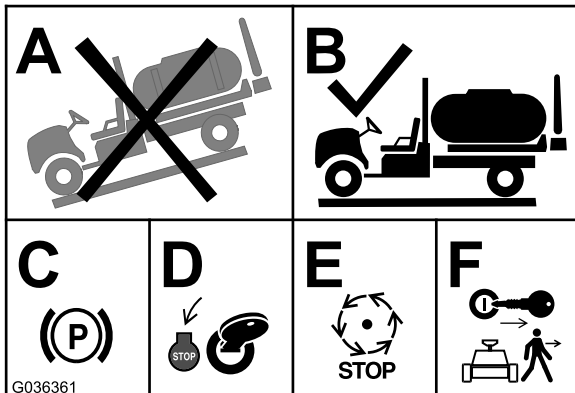
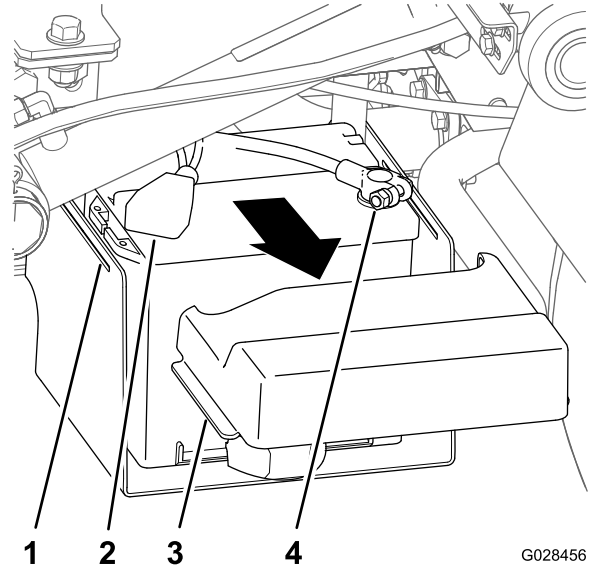


Figure 1

1. Squeeze the sides of the battery cover to release the tabs from the slots in the battery base, and remove the battery cover from the battery base (Figure 2).



G028456

Figure 2

1. Slot (battery base)
2. Cover (positive battery terminal)
3. Tab (battery cover)
4. Terminal (negative battery cable)

## Disconnecting the Battery

### ⚠ WARNING

Incorrect battery cable routing could damage the sprayer and cables causing sparks. Sparks can cause the battery gasses to explode, resulting in personal injury.

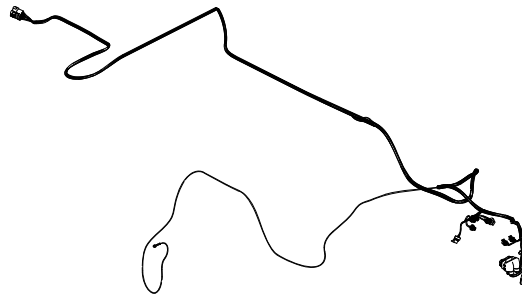
Always *disconnect* the negative (black) battery cable before disconnecting the positive (red) cable.

### ⚠ WARNING

Battery terminals or metal tools could short against metal sprayer components causing sparks. Sparks can cause the battery gasses to explode, resulting in personal injury.

- When removing or installing the battery, do not allow the battery terminals to touch any metal parts of the sprayer.
- Do not allow metal tools to short between the battery terminals and metal parts of the sprayer.

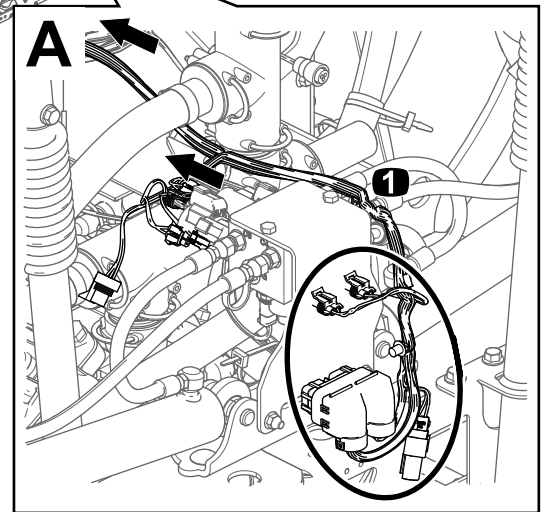
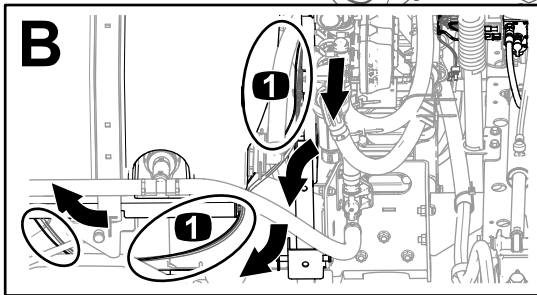
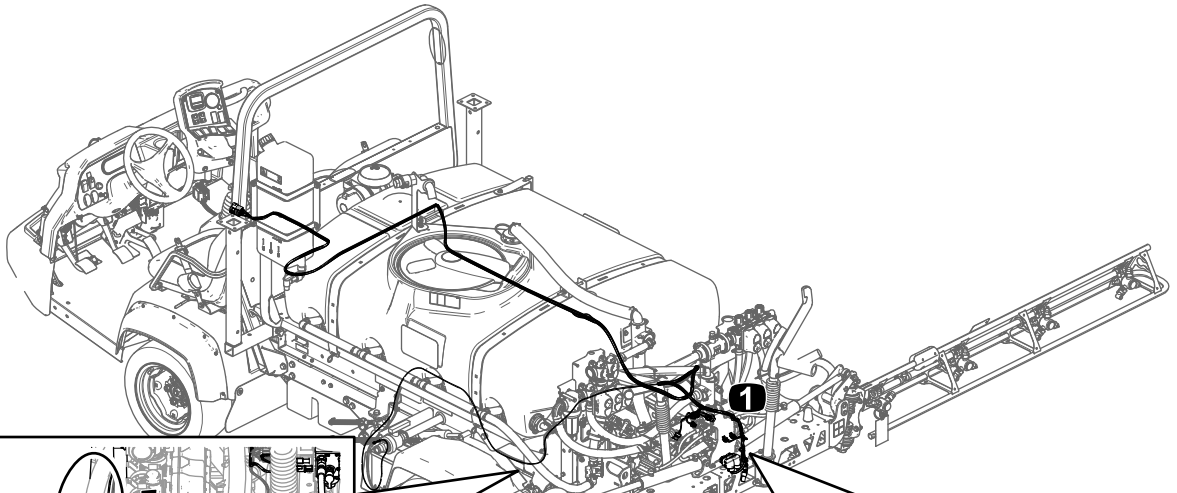
# Routing the Rear Wire Harness



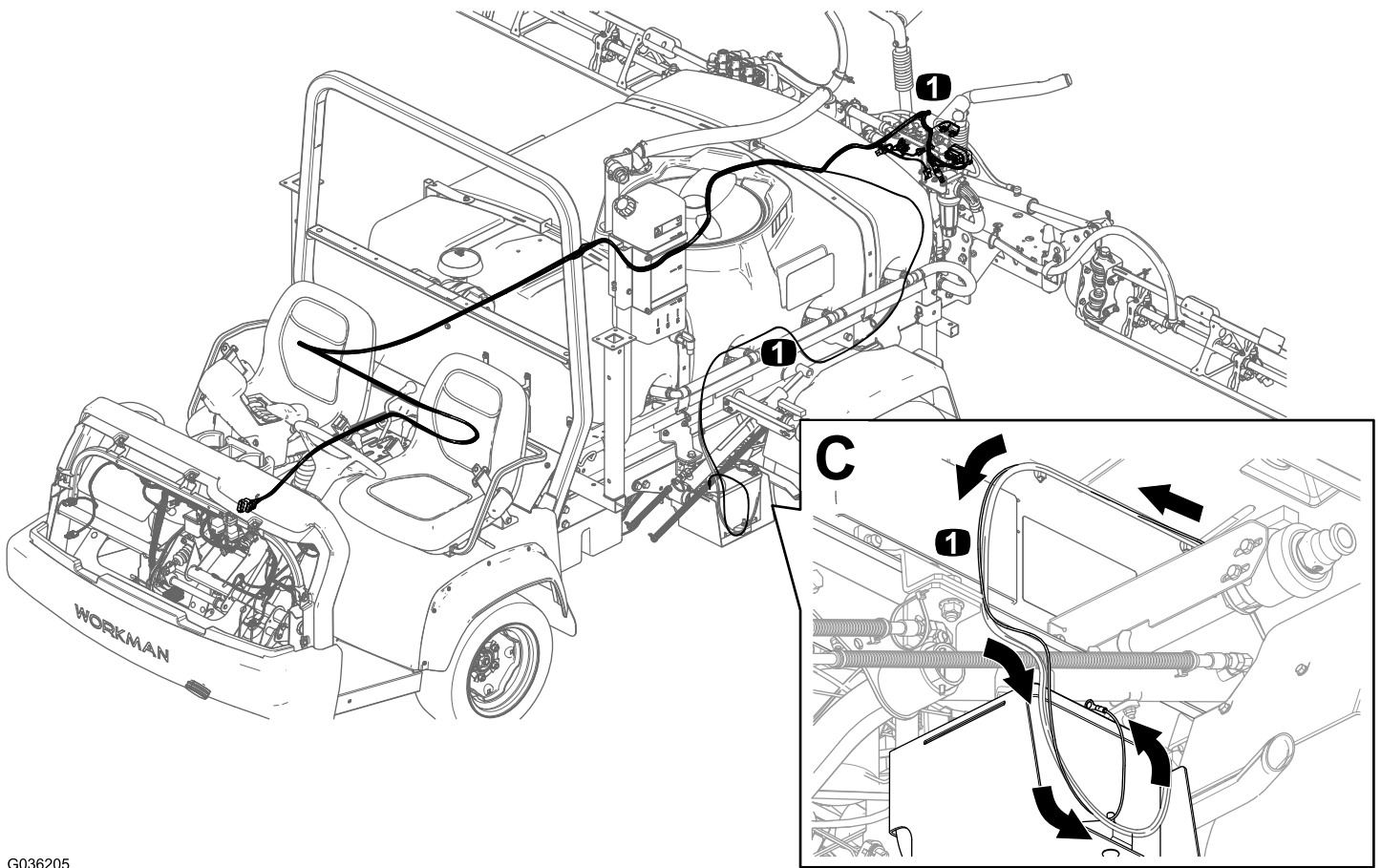
1X

546 cm (215 inches)

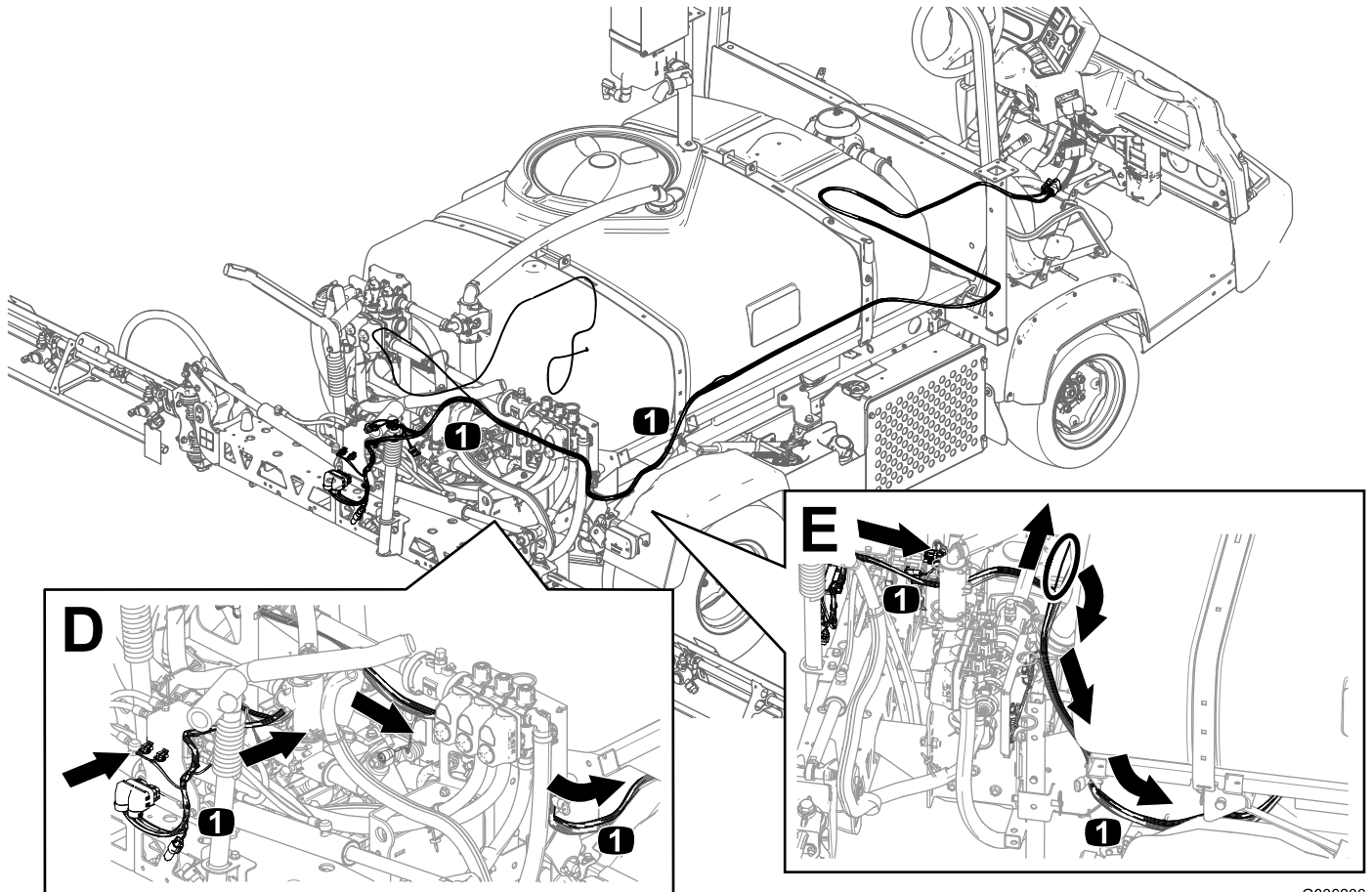
1



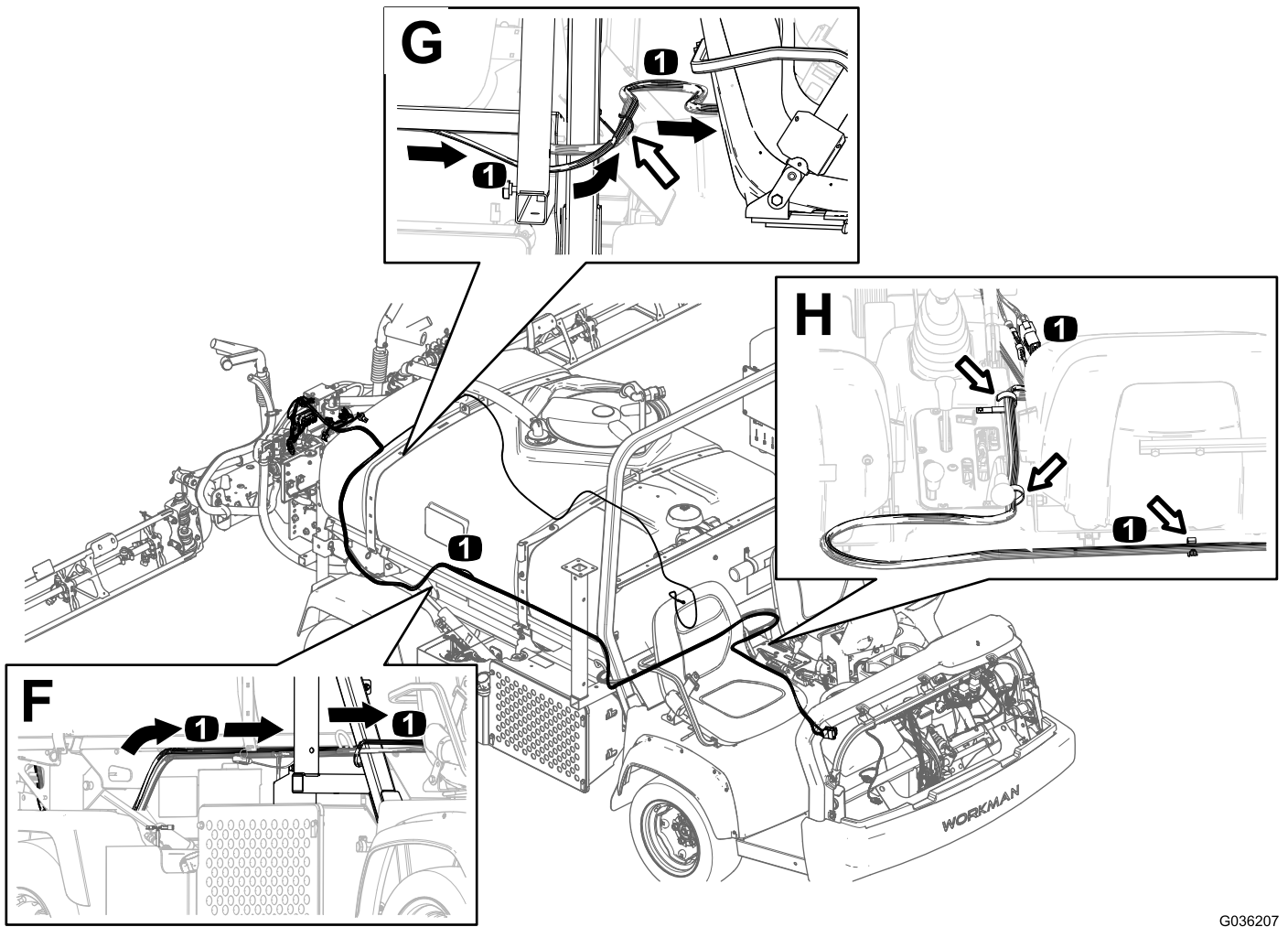
G036204



G036205



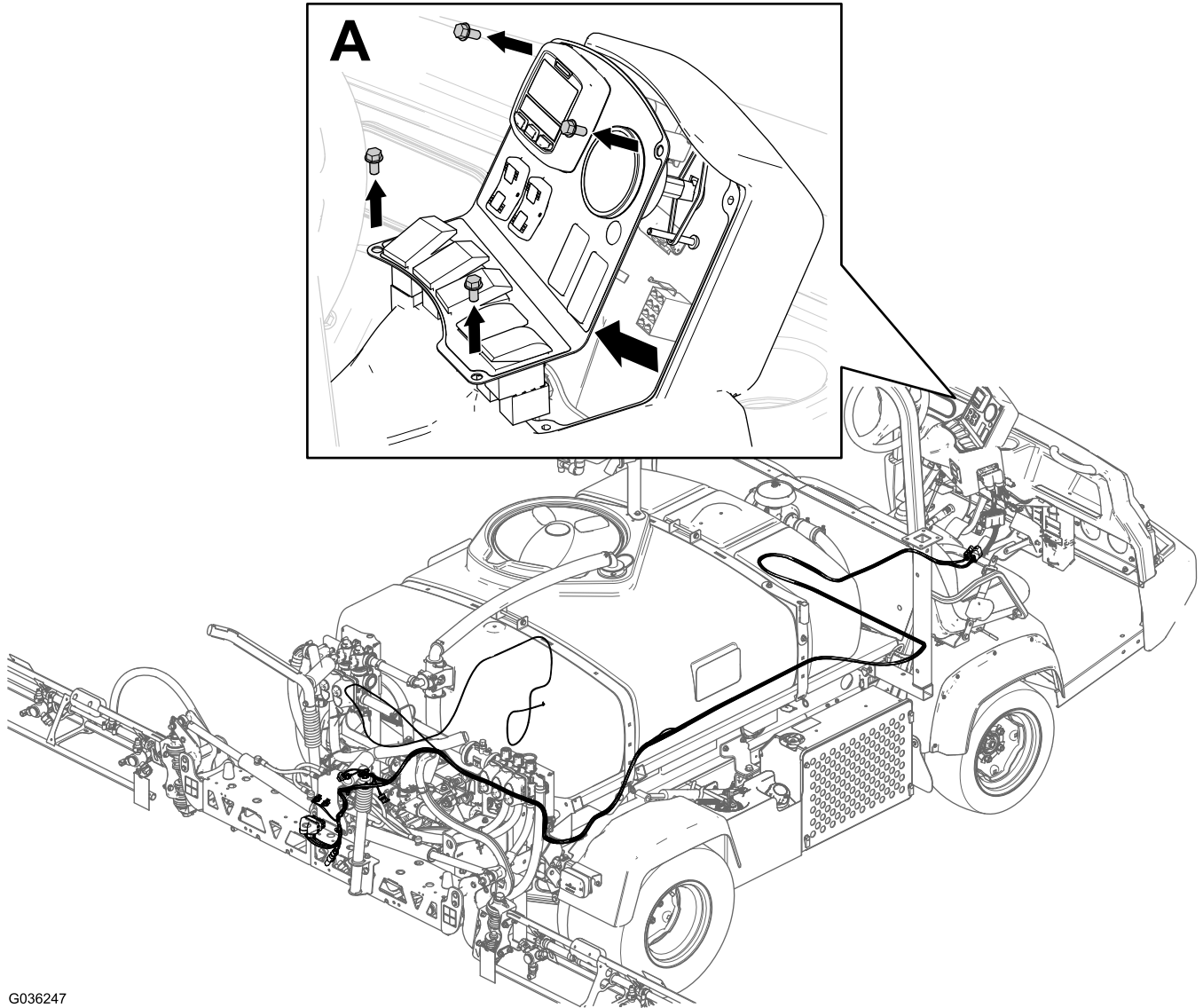
G036206



G036207

# Routing the Front Wire Harness

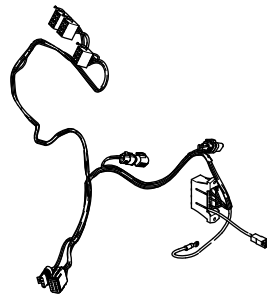
## Removing the Control Panel



G036247

Figure 7

# Routing the Front Wire Harness and Connecting the Wire Harness Electrical Connectors

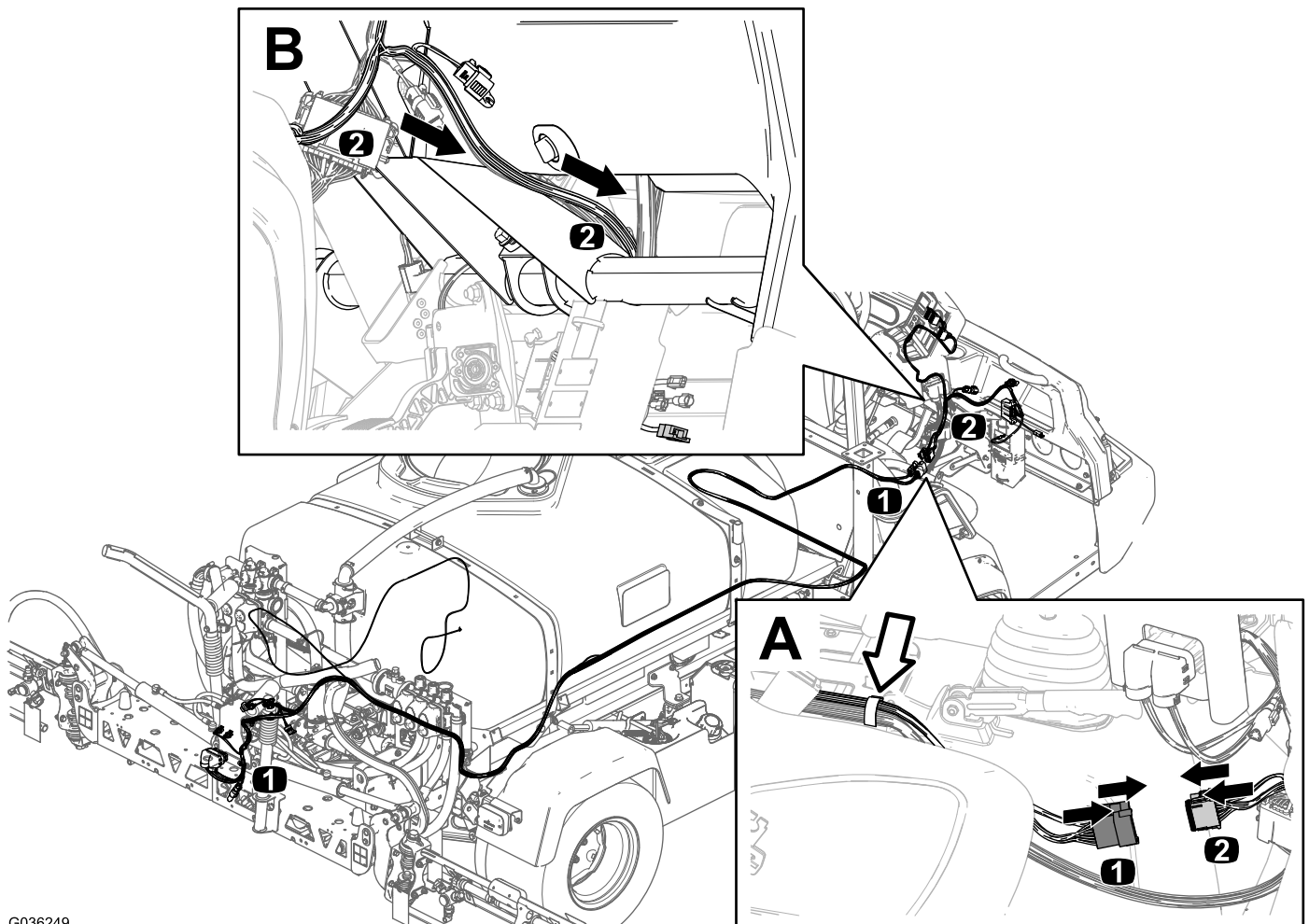


1X

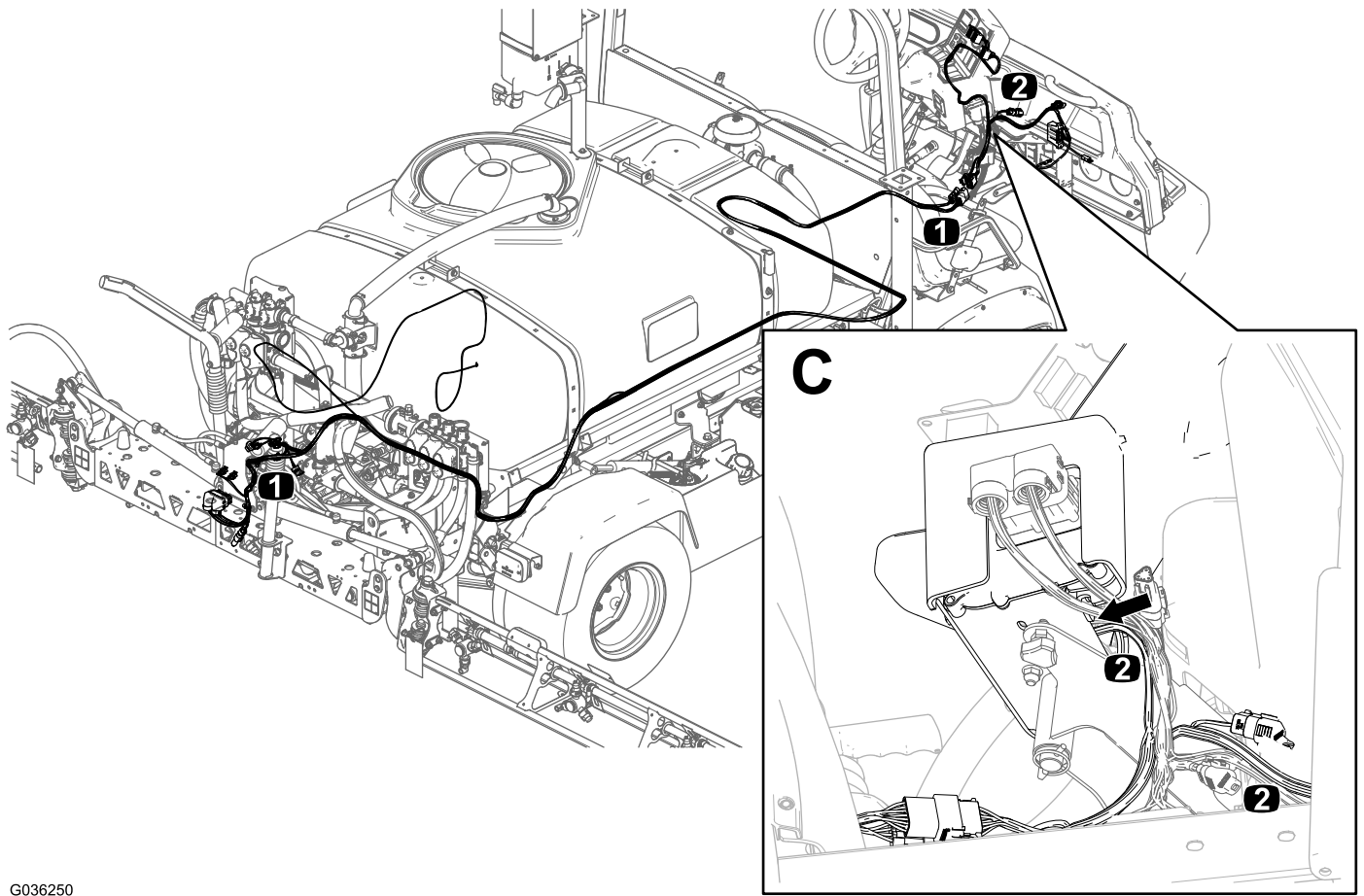
99 cm (39 inches)

2

Harness description	Connector description	Label
Front wire harness—ultra sonic boom finishing kit	4-socket	SPLIT HARNESS CONNECTOR
Rear wire harness—ultra sonic boom finishing kit	4-pin	SPLIT HARNESS CONNECTOR
Front wire harness—ultra sonic boom finishing kit	12-socket	SPLIT HARNESS CONNECTOR
Rear wire harness—ultra sonic boom finishing kit	12-pin	SPLIT HARNESS CONNECTOR



G036249

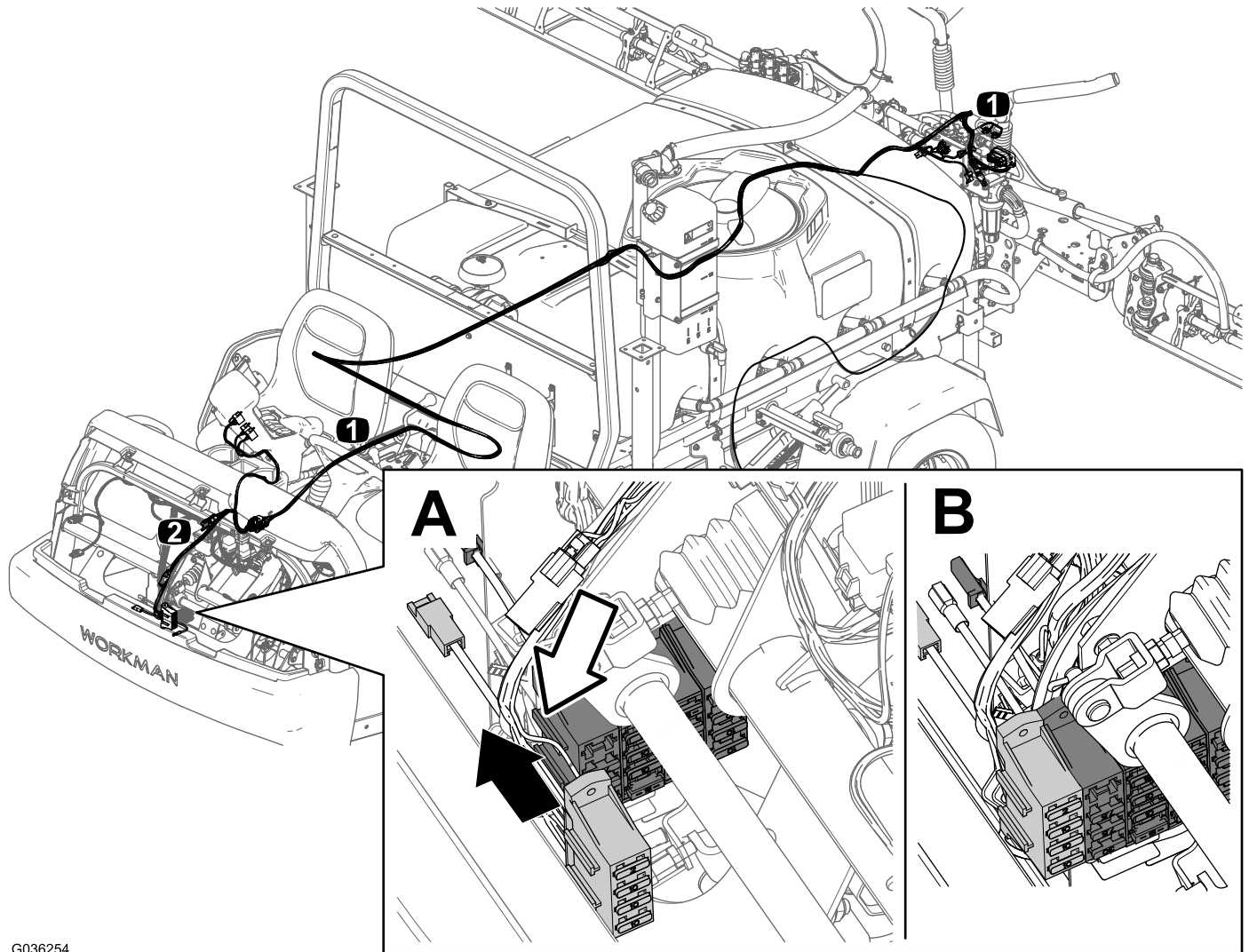


G036250

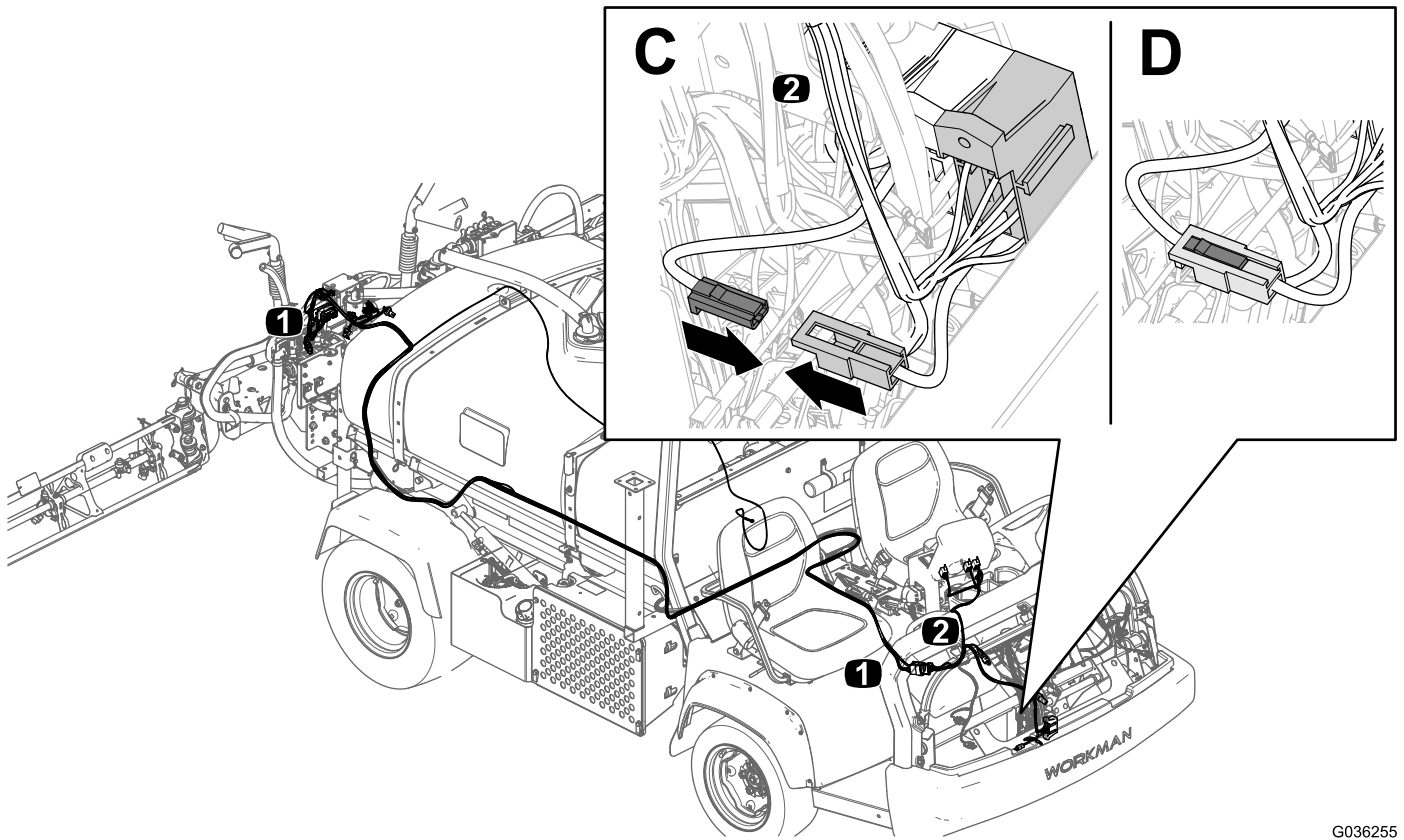
**Important:** You will connect the electrical connectors routed to the center console when installing the ultrasonic boom leveling kit.

# Installing the Fuse Block and Connecting the Power Circuit

Harness description	Connector description	Label
Front wire harness—ultra sonic boom finishing kit	1-blade insulated	TO FUSE BLOCK EXPANSION CONN.
Front wire harness—machine	1-socket insulated	AUXILIARY FUSE BLOCK



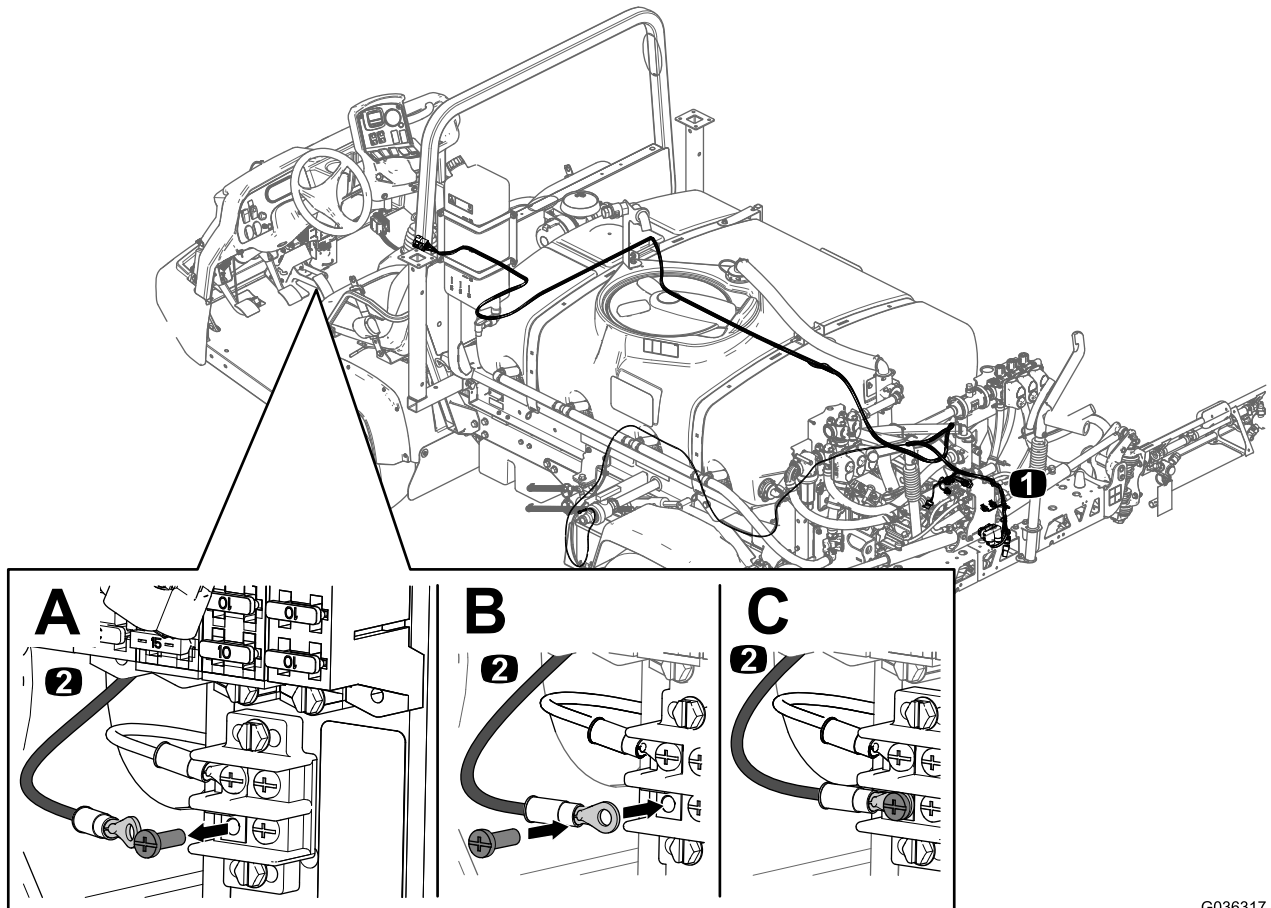
G036254



G036255

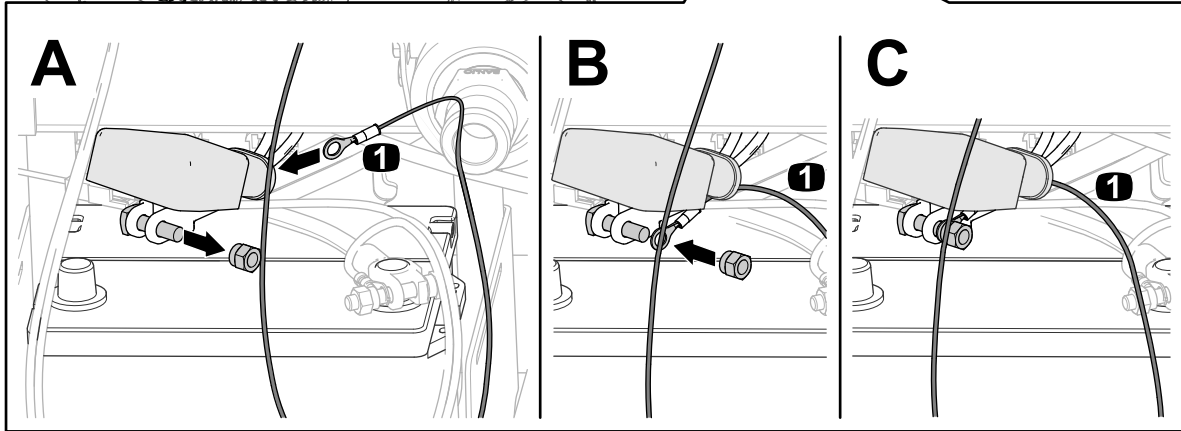
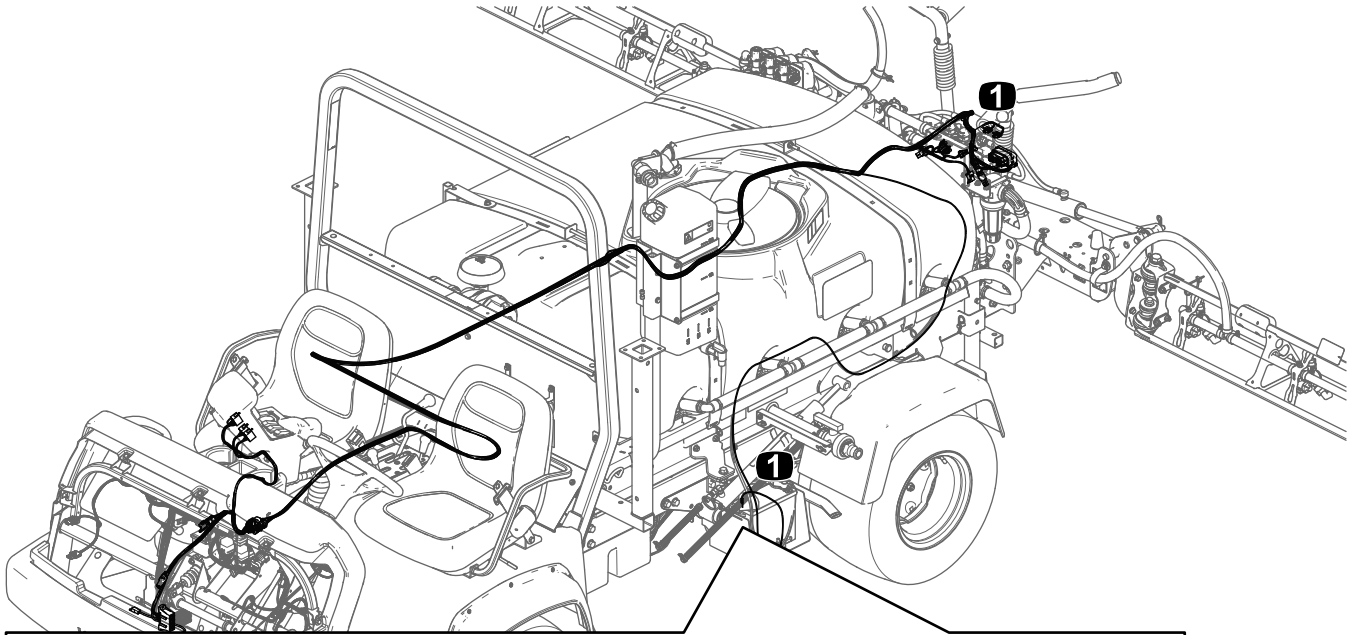
**Important:** You will install the hood when installing the ultra sonic boom leveling kit.

### Connecting the Ground Wire for the Front Wire Harness



G036317

## Assembling the Ring Terminal to the Positive Battery Cable

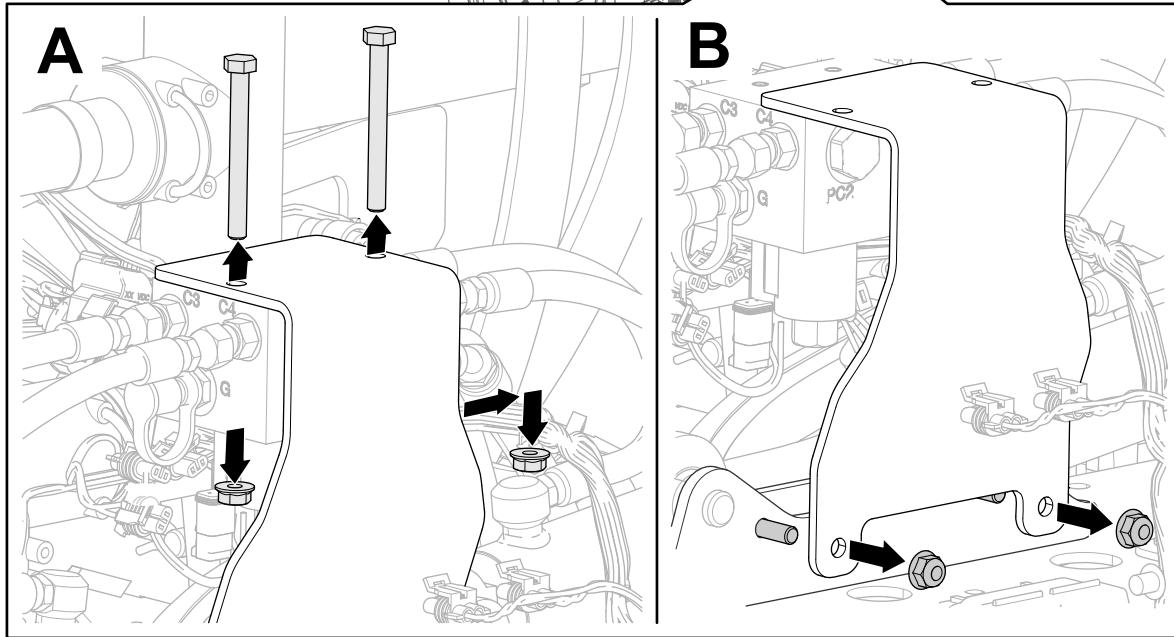
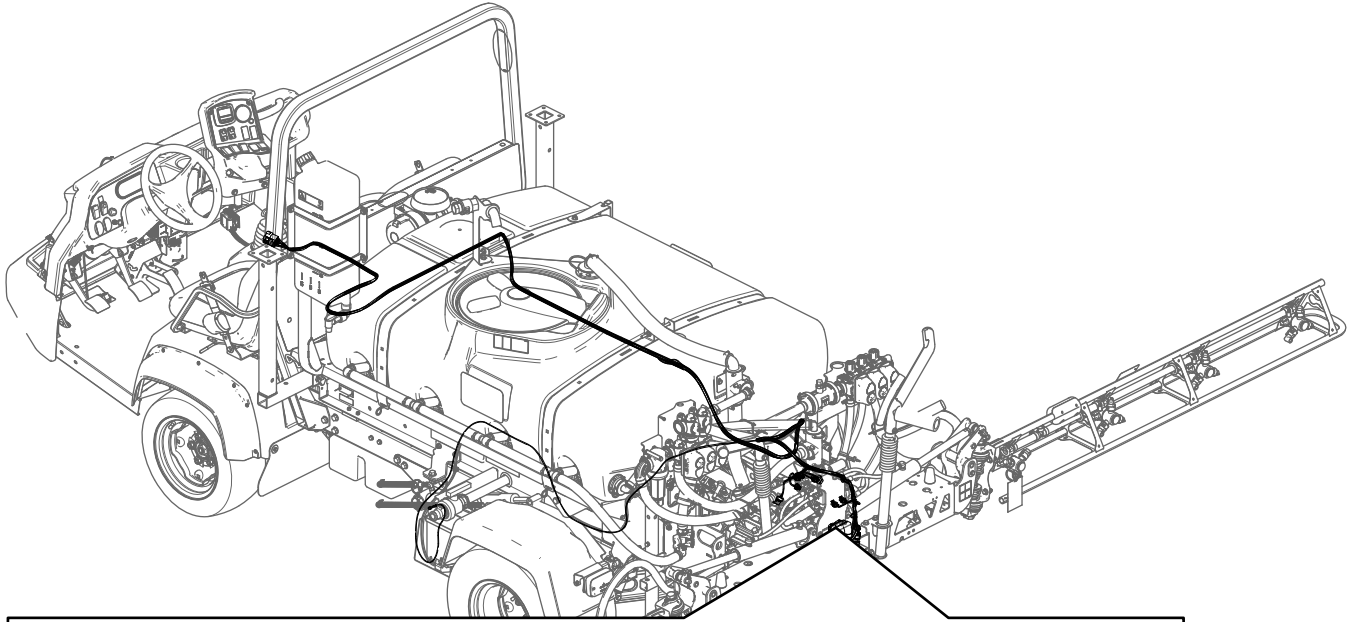


G036332

**Important:** You will connect the positive battery cable to the battery when installing the ultra sonic boom leveling kit.

# Replacing the Lift-Manifold Bracket

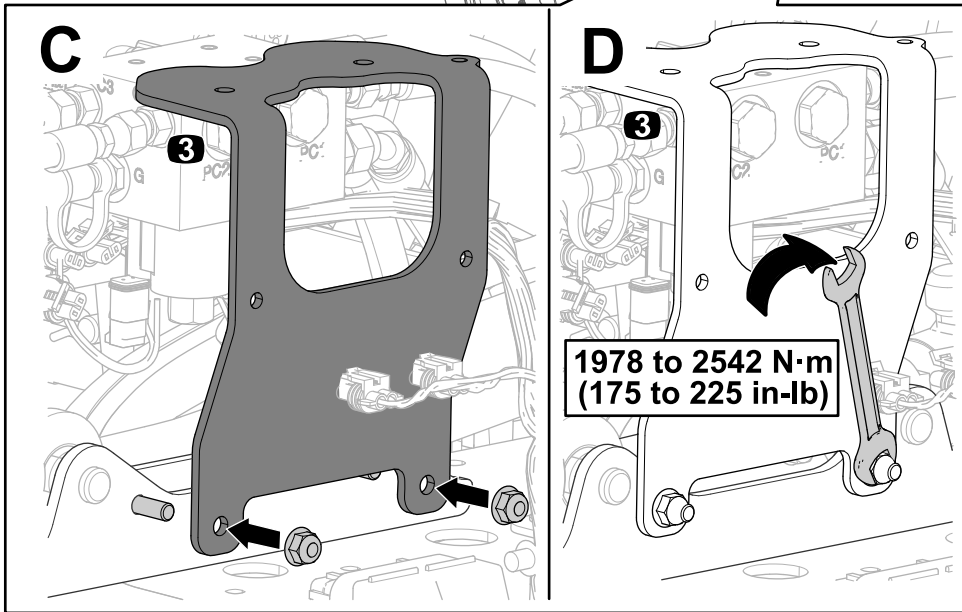
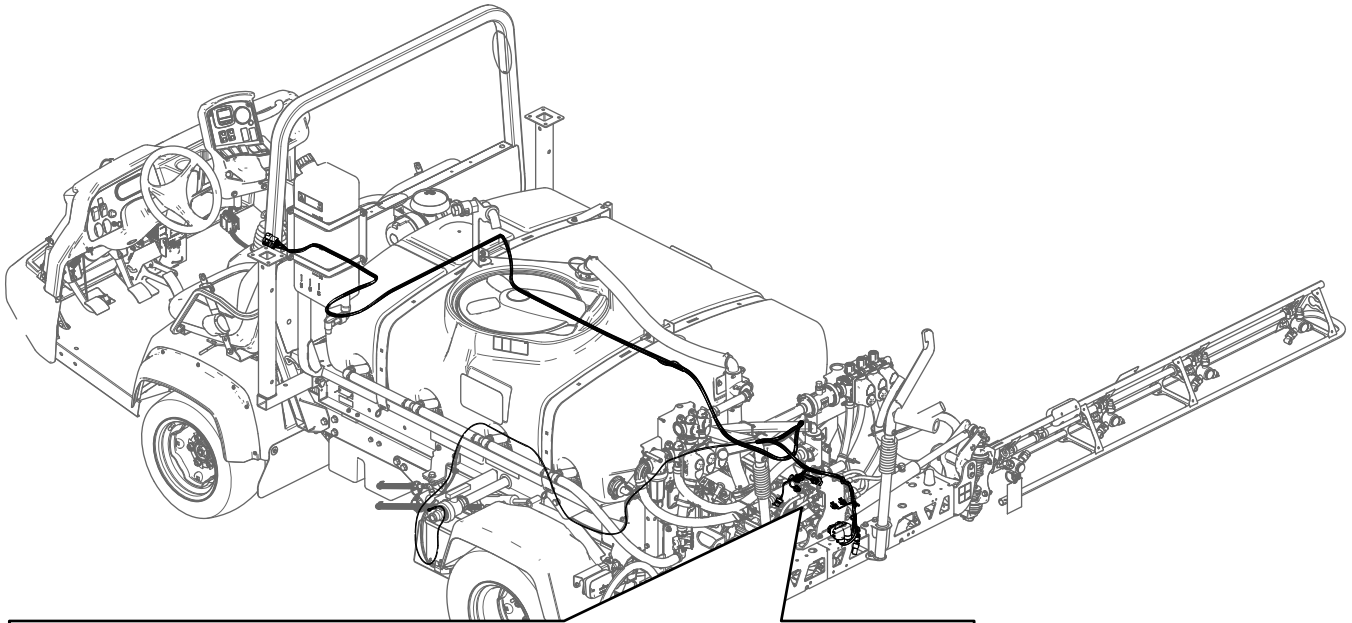
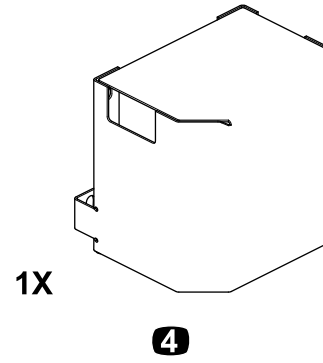
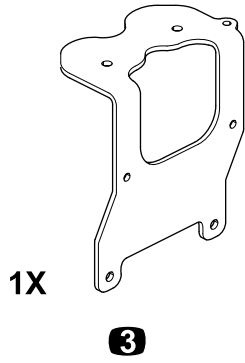
## Remove the Lift-Manifold Bracket



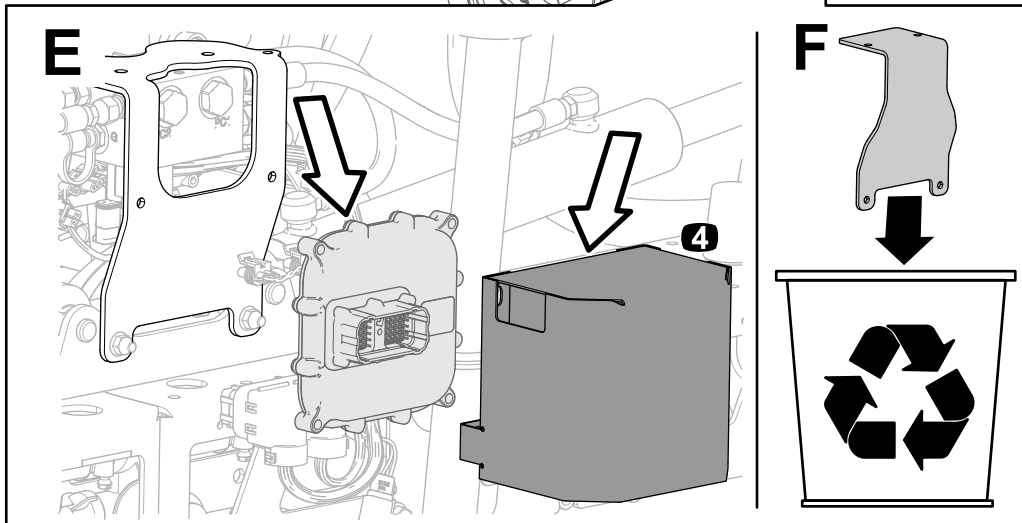
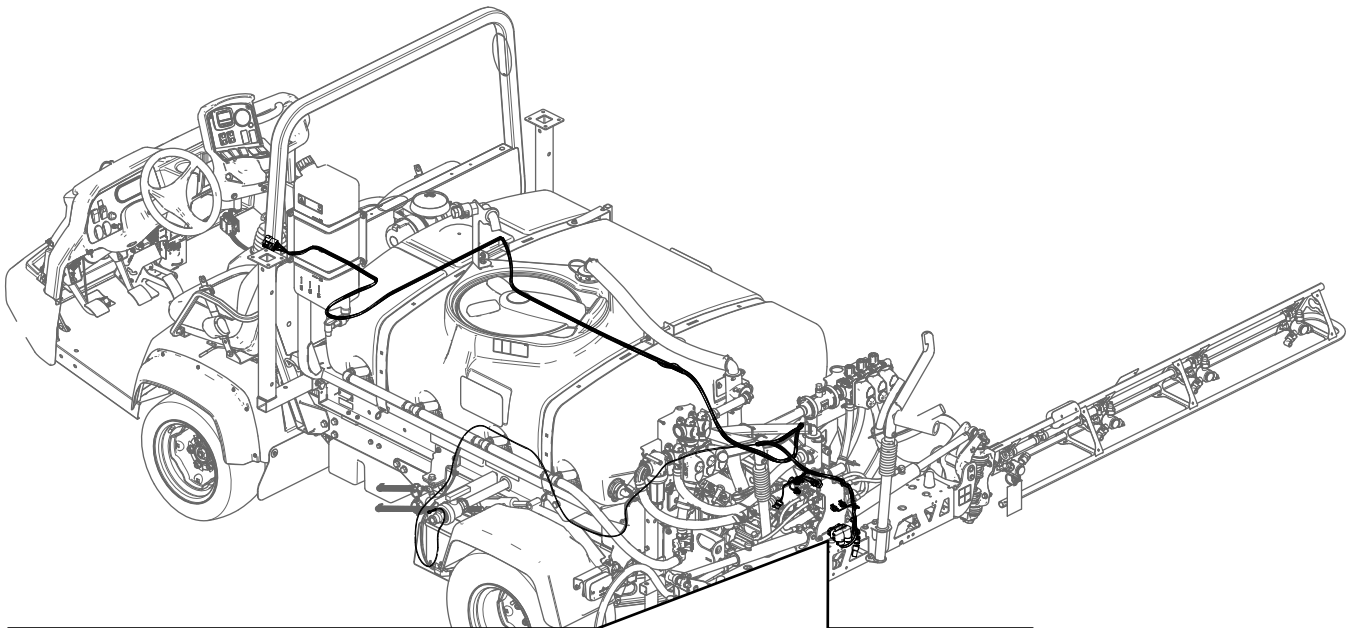
G036323

# Installing the Lift Manifold Bracket and Cover

## Ultra Sonic Boom Leveling Kit—Lift Manifold



G036324



G036325

**Important:** You will install the cover for the electronic control unit when installing the ultra sonic boom leveling kit.

**Notes:**



**Count on it.**