



Count on it.

Parts Catalog

HoverPro® 550 Mower

Model No. 02606—Serial No. 312000001 and Up



Ordering Replacement Parts

To order replacement parts, please supply the part number, the quantity, and the description of each part desired.

Understanding Reference Numbers

Each identified part in an illustration has a reference number. The reference number for a part also appears in the parts list, along with other information about the part.

This catalog uses two special reference number formats, one to indicate parts in a service assembly and another to indicate the quantity of a given part in an illustration.

Service Assembly Reference Numbers

Parts in service assemblies have reference numbers in the form a:b. The a represents the reference number of the entire service assembly and the b represents a sequential number unique to each part within the service assembly.

For example, a wheel assembly might be identified by reference number 6, the tire by 6:1, the valve by 6:2, and the wheel by 6:3. When you order the assembly identified by reference number 6, you receive all parts identified by reference numbers 6:1, 6:2, and 6:3. However, you may also order any part individually. Reference numbers of this type appear in illustration and in parts lists.

Reference Numbers Indicating Quantity

In an illustration, if a reference number indicates more than one part, the reference number has the form nX y. The n represents the quantity of the part, the X is the multiplication symbol, and the y represents the reference number.

For example, in an illustration, the reference number 2X 37 means that two of the parts identified by reference number 37 are indicated.

List of Abbreviations

AR: as required

ASM: assembly

BBC: blade brake control

BHTF: button head thread forming

CARR: carriage

CCW: counter clockwise

CW: clockwise

DEG: degrees

DPA: Dual Point Adjustment

ECM: electronic control module

EXT: external

FH: flat head

GA: gauge

HD: heavy-duty

HF: hex flange

HH: hex head

HHF: hex head flange

HHFTF: hex head flange thread forming

HJ: hex jam

HLH: hex lag head

HOC: height-of-cut

HP: high pressure

HSBH: hex socket button head

HSFH: hex socket flat head

HSH: hex socket head

HWH: hex washer head

HWHTF: hex washer head thread forming

HYD: hydraulic

LH: left hand

LP: low pressure

LPG: Liquefied Petroleum Gas

NI: nylon insert

NPTF: national pipe thread fine

PFH: phillips flat head

PPH: phillips pan head

PPHTF: phillips pan head thread forming

PRH: phillips round head

PTH: phillips truss head

PTO: power-take-off

RH: right hand

ROPS: roll-over protection system

RRB: rear roller brush

SFH: slotted fillister head

SHH: slotted hex head

SHWH: slotted hex washer head

SPH: slotted pan head

SQH: square head

SRH: slotted round head

STD: standard

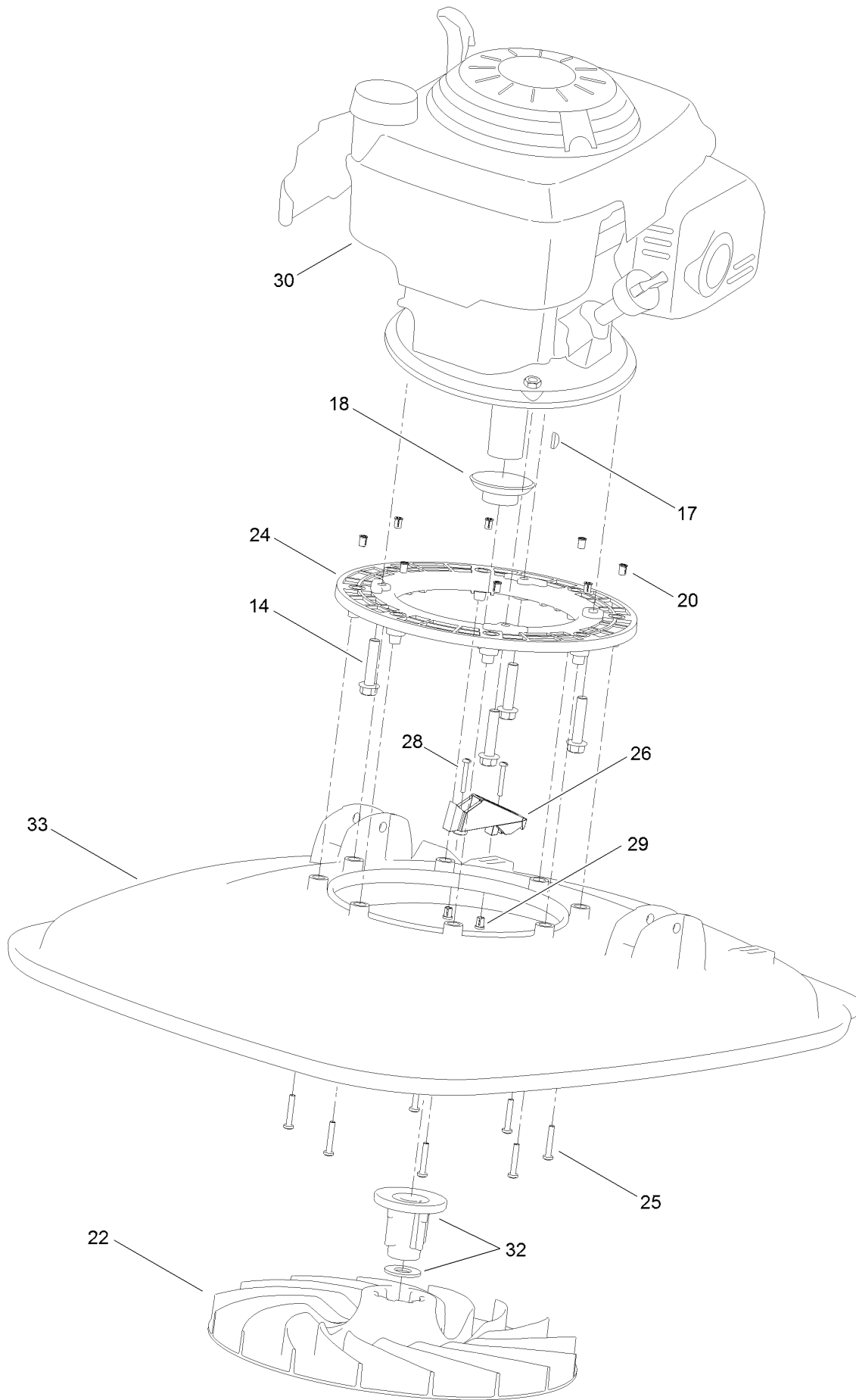
TAP: self tapping

TTH: torx truss head

Contents

Engine, Deck and Impeller Assembly	4
Handle Assembly	6
Cutting Assembly	8
Deck Decal Assembly	10
Cylinder Barrel Assembly	12
Oil Pan Assembly	14
Crankshaft Assembly	16
Piston and Connecting Rod Assembly	18
Camshaft Pulley Assembly	20
Recoil Starter Assembly	22
Fuel Tank and Fuel Pump Assembly	24
Carburetor Assembly	26
Air Cleaner Assembly	28
Muffler Assembly	30
Flywheel and Ignition Coil Assembly	32
Control Assembly	34
Label Assembly	36
Attachments and Accessories	38

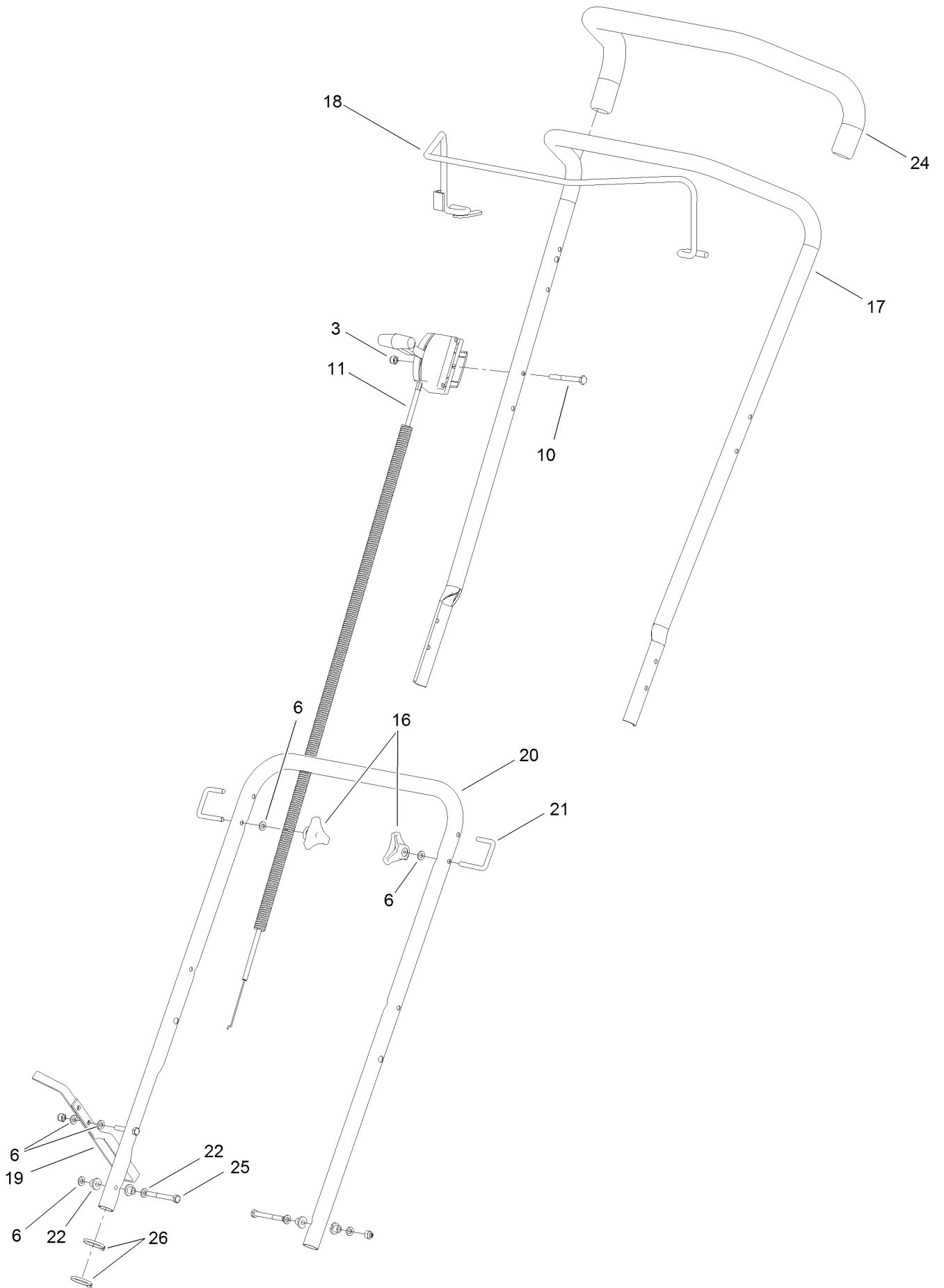
Engine, Deck and Impeller Assembly



Engine, Deck and Impeller Assembly (continued)

<i>Ref.</i>	<i>Part Number</i>	<i>Qty.</i>	<i>Description</i>	<i>Ref.</i>	<i>Part Number</i>	<i>Qty.</i>	<i>Description</i>
14	111-2157	4	Screw-Taptite	26	H292269	1	Bracket
17	1662	1	Key-Woodruff	28	H292279	2	Screw
18	H190118	1	Protector-Seal, Oil	29	H292280	2	Insert
20	H192266	8	Insert-Brass	30	H292312	1	Engine-Honda
22	H192268	1	Impeller	32	H290011	1	Drive And Spacer ASM
24	H292000	1	Frame-Mounting, Engine	33	H290221	1	Deck-Drilled
25	H292004	8	Set-Screw				

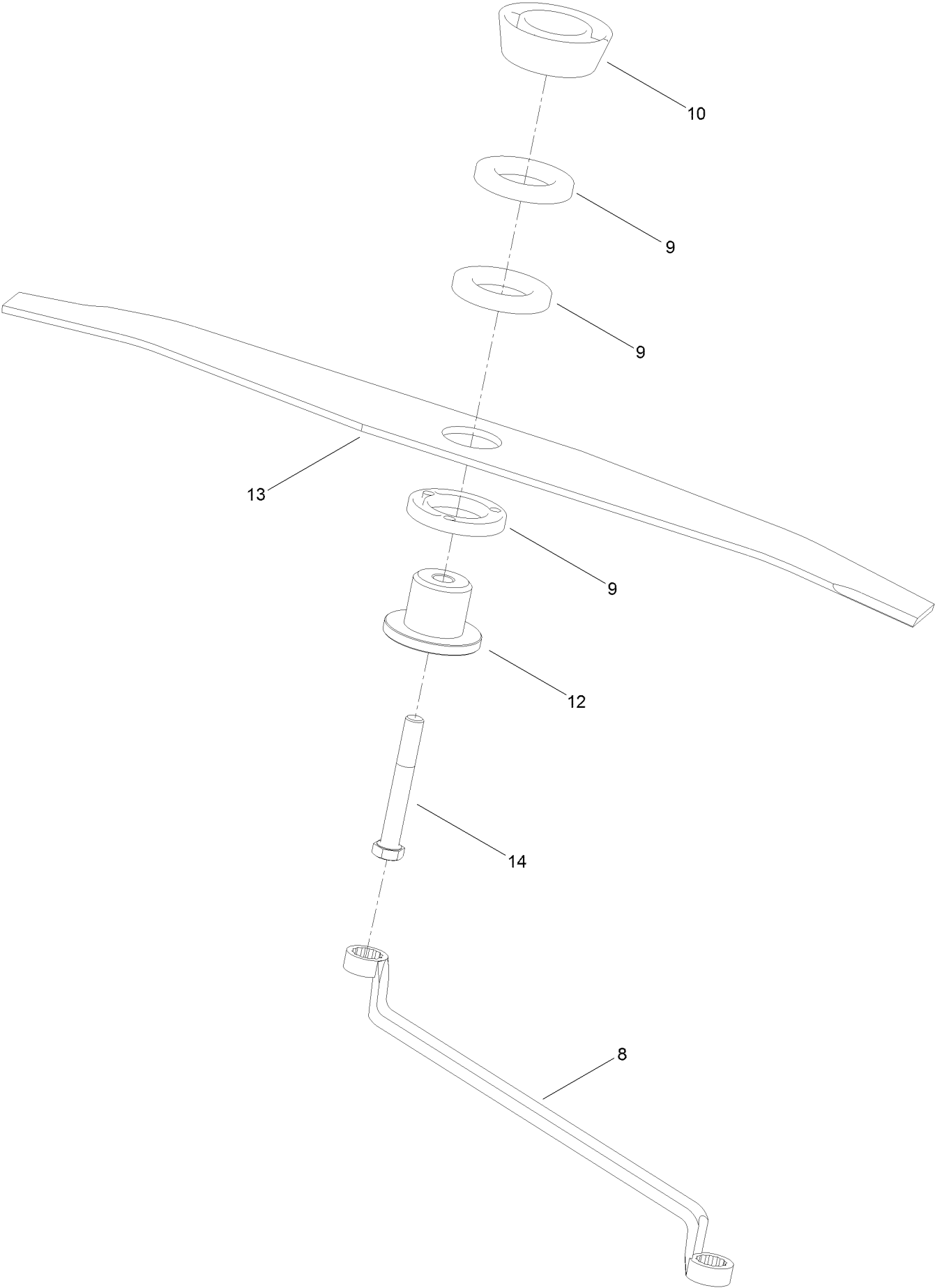
Handle Assembly



Handle Assembly (continued)

<i>Ref.</i>	<i>Part Number</i>	<i>Qty.</i>	<i>Description</i>	<i>Ref.</i>	<i>Part Number</i>	<i>Qty.</i>	<i>Description</i>
3	09544	4	Nut-Nyloc	19	H290286	1	Footstop
6	100.000.630	8	Washer	20	H290288	1	Handle-Lower
10	111-2204	1	Screw-Pan	21	H292026	2	Bolt-U
11	111-2205	1	Throttle Control With Opc ASM	22	H292058	4	Spacer-Handle
16	H192204	2	Handwheel	24	H292276	1	Grip-Handle
17	H290237	1	Handle-Upper	25	H292309	2	Bolt-Hex
18	H290239	1	Arm-Bail	26	HY3966	2	Tie-Cable

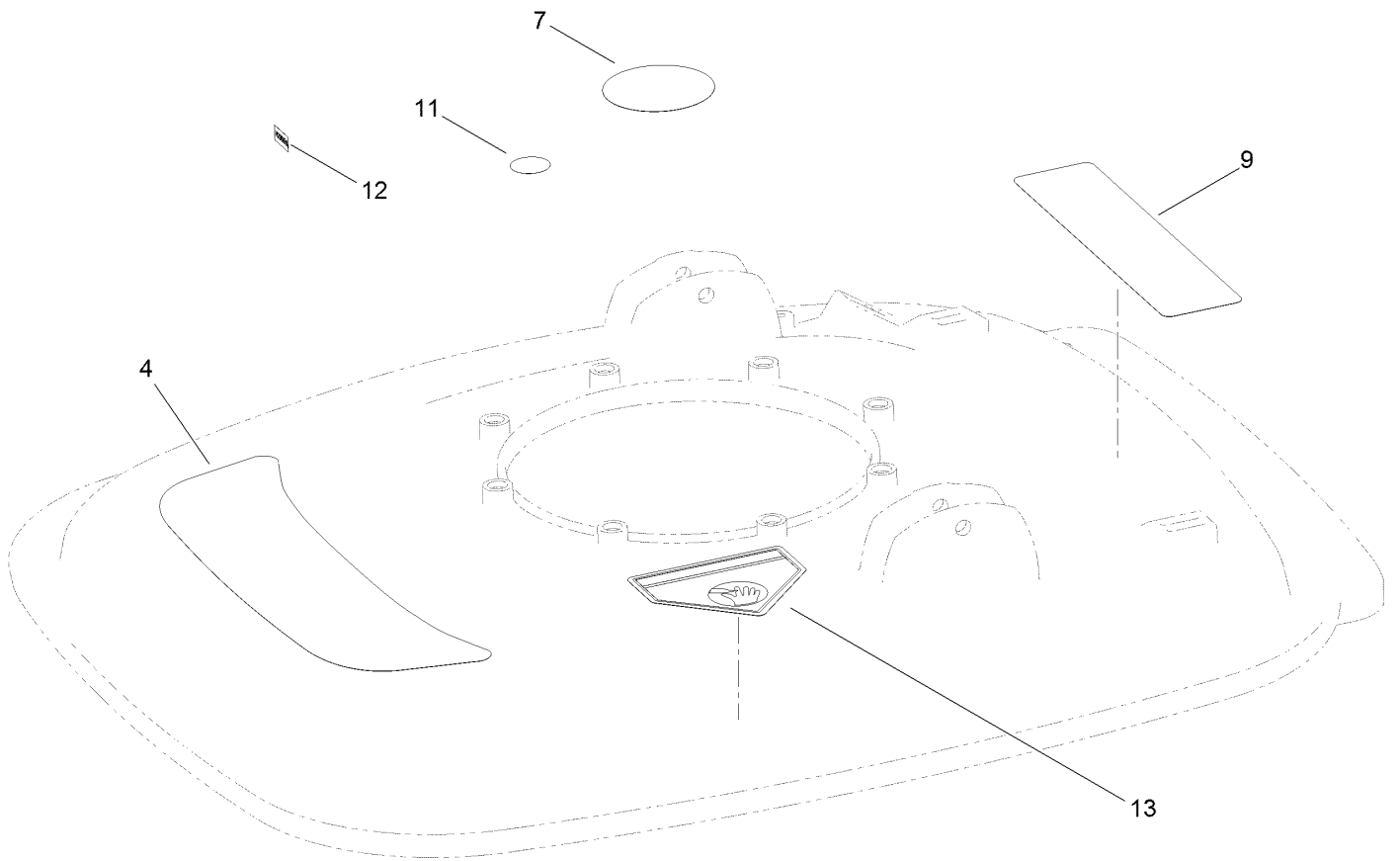
Cutting Assembly



Cutting Assembly (continued)

<i>Ref.</i>	<i>Part Number</i>	<i>Qty.</i>	<i>Description</i>	<i>Ref.</i>	<i>Part Number</i>	<i>Qty.</i>	<i>Description</i>
8	H190210	1	Spanner	12	H192272	1	Retainer-Blade
9	H192025	3	Spacer-Blade, Aluminium	13	H192299	1	Blade-Mkii, 53 Cm
10	H192270	1	Spacer-Distance	14	H292018	1	Screw-Set

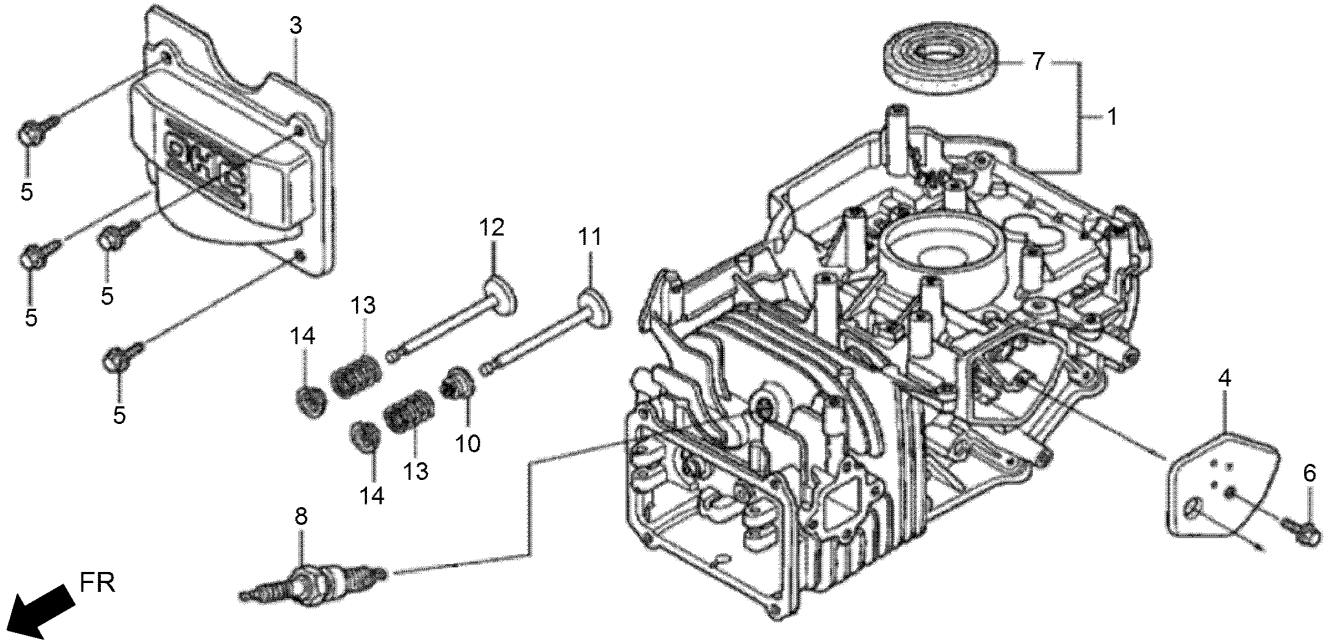
Deck Decal Assembly



Deck Decal Assembly (continued)

<i>Ref.</i>	<i>Part Number</i>	<i>Qty.</i>	<i>Description</i>	<i>Ref.</i>	<i>Part Number</i>	<i>Qty.</i>	<i>Description</i>
4	111-5351	1	Decal-Hover Pro, 550 Series	11	H295124	1	Decal
7	111-5363	1	Decal-Engine	12	H295159	1	Decal-Stop
9	111-5393	1	Decal-Warning	13	94-8072	1	Decal-Danger

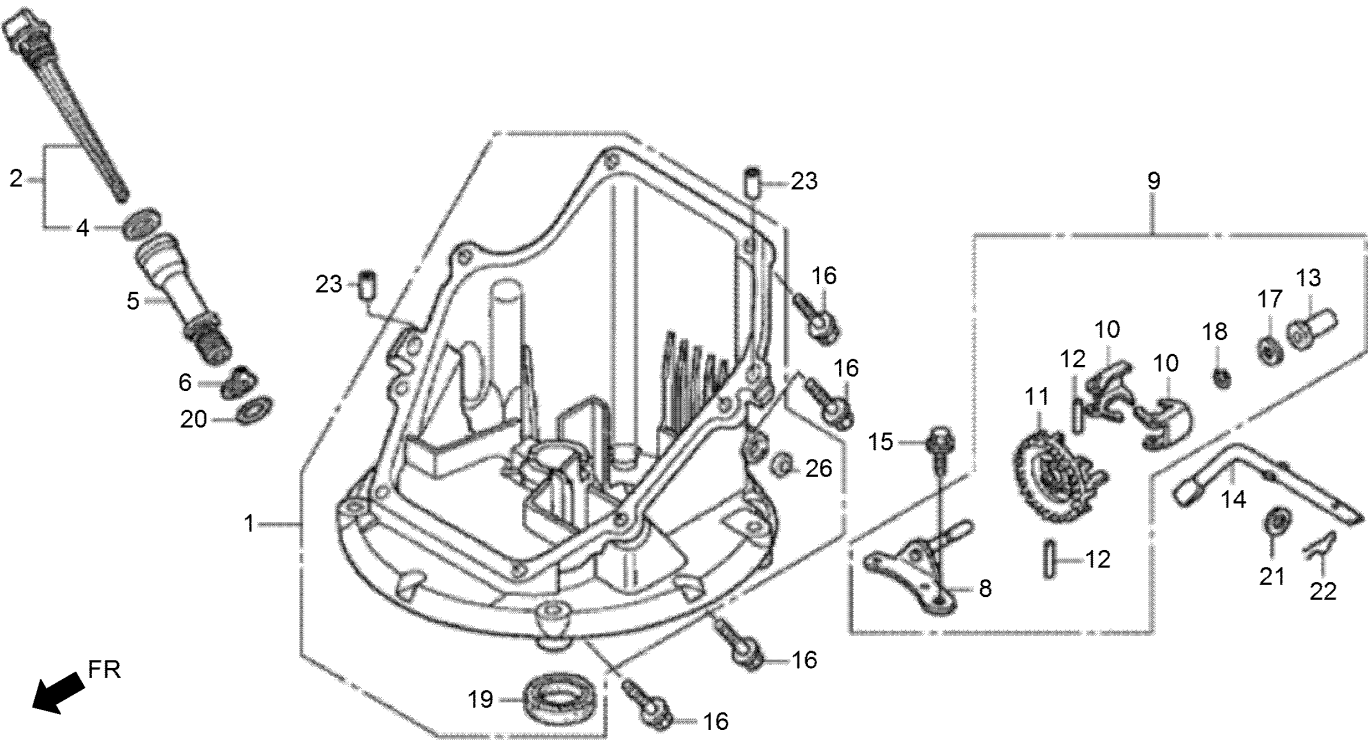
Cylinder Barrel Assembly



Cylinder Barrel Assembly (continued)

<i>Ref.</i>	<i>Part Number</i>	<i>Qty.</i>	<i>Description</i>	<i>Ref.</i>	<i>Part Number</i>	<i>Qty.</i>	<i>Description</i>
1	132-0111	1	Barrel ASM-Cylinder (To S/N 3360946)	7	132-0655	1	Oil Seal-25.4X62X6
1	132-0112	1	Barrel ASM-Cylinder (From S/N 3360947)	8	131-8232	1	Sparkplug
3	132-0129	1	Cover-Head	10	132-0122	1	Seal-Valve Stem
4	132-0131	1	Breather Cover ASM	11	132-0196	1	Valve-Intake
5	132-4880	4	Bolt-Flange-6X12	12	132-0201	1	Valve-Exhaust
6	132-0595	1	Bolt-Flange-6X14	13	132-0207	2	Spring-Valve
				14	132-0211	2	Retainer-Intake Valve Spring

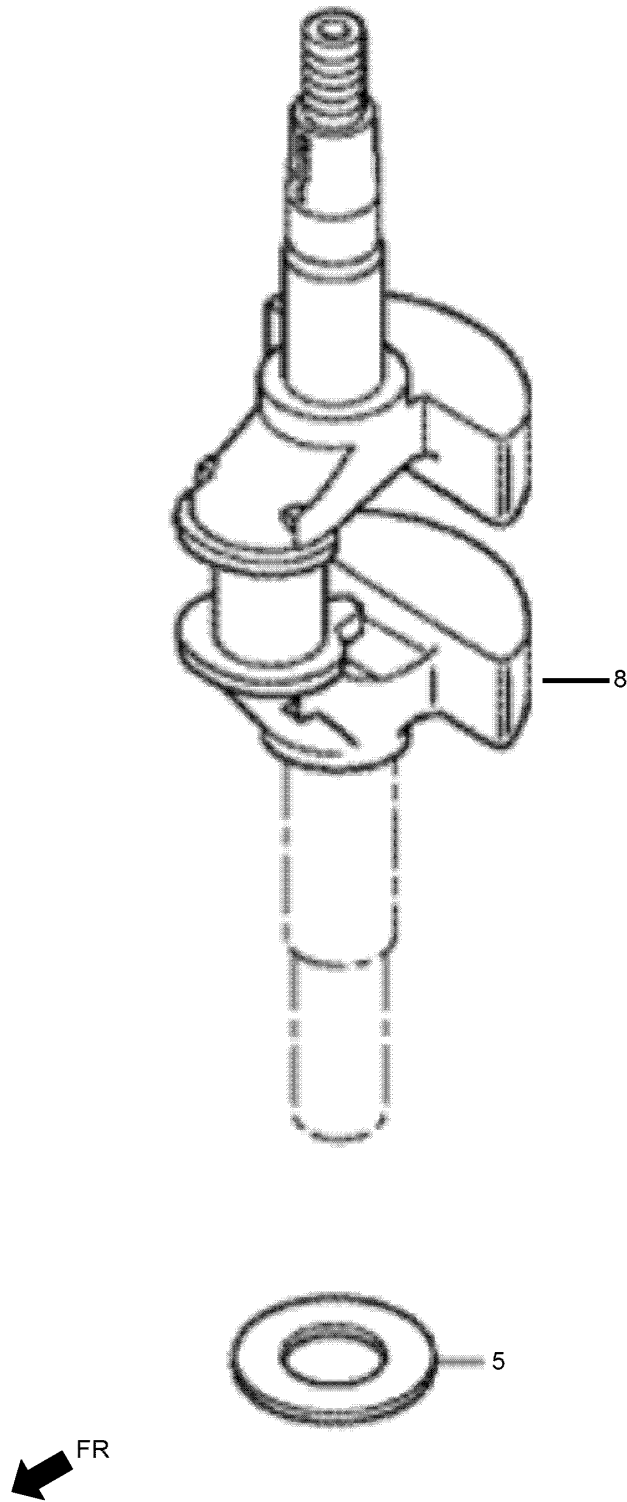
Oil Pan Assembly



Oil Pan Assembly (continued)

<i>Ref.</i>	<i>Part Number</i>	<i>Qty.</i>	<i>Description</i>	<i>Ref.</i>	<i>Part Number</i>	<i>Qty.</i>	<i>Description</i>
1	132-0102	1	Pan ASM-Oil	14	132-0308	1	Shaft-Governor Arm
2	132-0230	1	Gauge ASM-Oil Level	15	132-0595	1	Bolt-Flange-6X14
4	132-0226	1	Packing-Oil Filler Cap	16	132-0620	8	Bolt-Flange-6X25
5	132-0227	1	Extension-Oil Filler	17	132-0635	1	Washer-Thrust-6Mm
6	132-0229	1	Washer-Extension Lock	18	132-0642	1	Clip-Governor Holder
8	132-0296	1	Governor Holder Shaft ASM	19	132-0660	1	Oil Seal-28X41.25X6
9	132-0297	1	Governor ASM	20	132-0666	1	O-Ring-14.8X2.4
10	132-0299	2	Weight-Governor	21	132-0688	1	Washer-Plain-6Mm
11	132-0301	1	Holder-Governor Weight	22	132-0693	1	Pin-Lock-8Mm
12	132-0303	2	Pin-Governor Weight	23	132-0696	2	Dowel Pin-8X20
13	132-0304	1	Slider-Governor	26	132-0661	1	Oil Seal-6X11X4

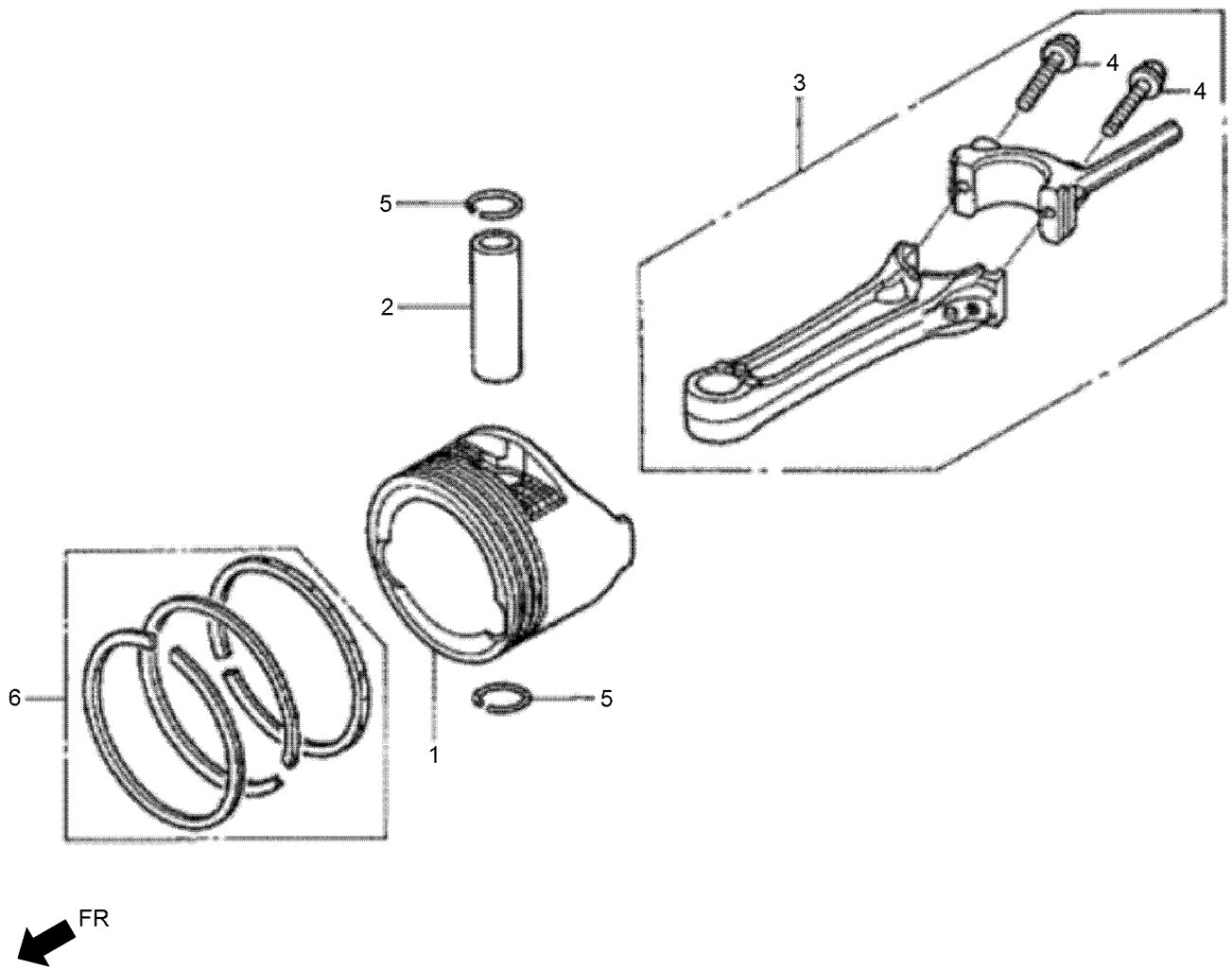
Crankshaft Assembly



Crankshaft Assembly (continued)

<i>Ref.</i>	<i>Part Number</i>	<i>Qty.</i>	<i>Description</i>
5	132-0632	1	Washer-Thrust
8	132-0160	1	Crankshaft ASM

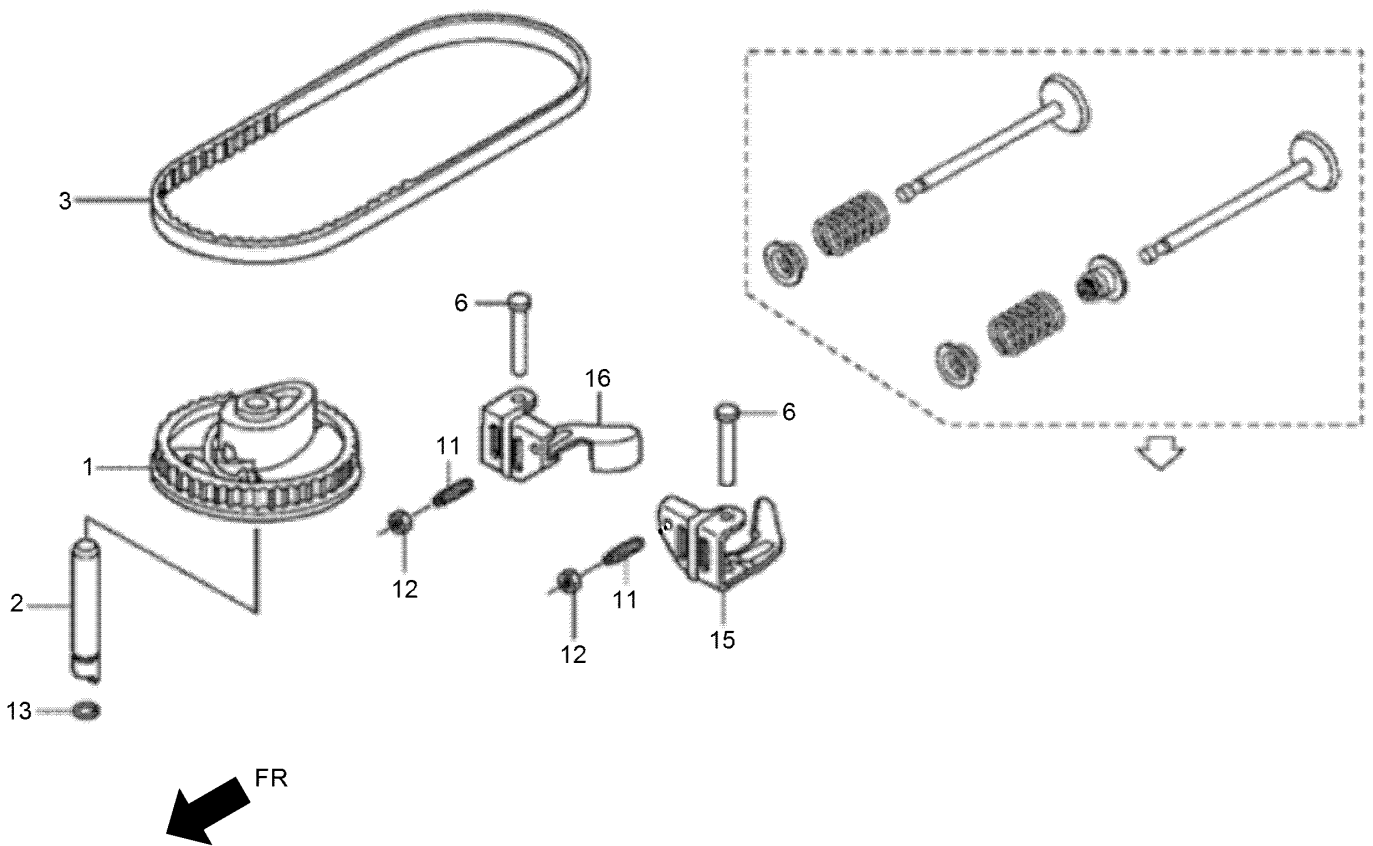
Piston and Connecting Rod Assembly



Piston and Connecting Rod Assembly (continued)

<i>Ref.</i>	<i>Part Number</i>	<i>Qty.</i>	<i>Description</i>	<i>Ref.</i>	<i>Part Number</i>	<i>Qty.</i>	<i>Description</i>
1	132-0143	1	Piston	3	132-0156	1	Rod ASM-Connecting
2	132-0149	1	Pin-Piston (From S/N 3381418)	4	132-0573	2	Bolt-Connecting Rod
2	132-0152	1	Pin-Piston (To S/N 3381417)	5	132-0636	2	Clip-Piston Pin-13Mm
				6	132-0136	1	Ring Set-Piston (STD)

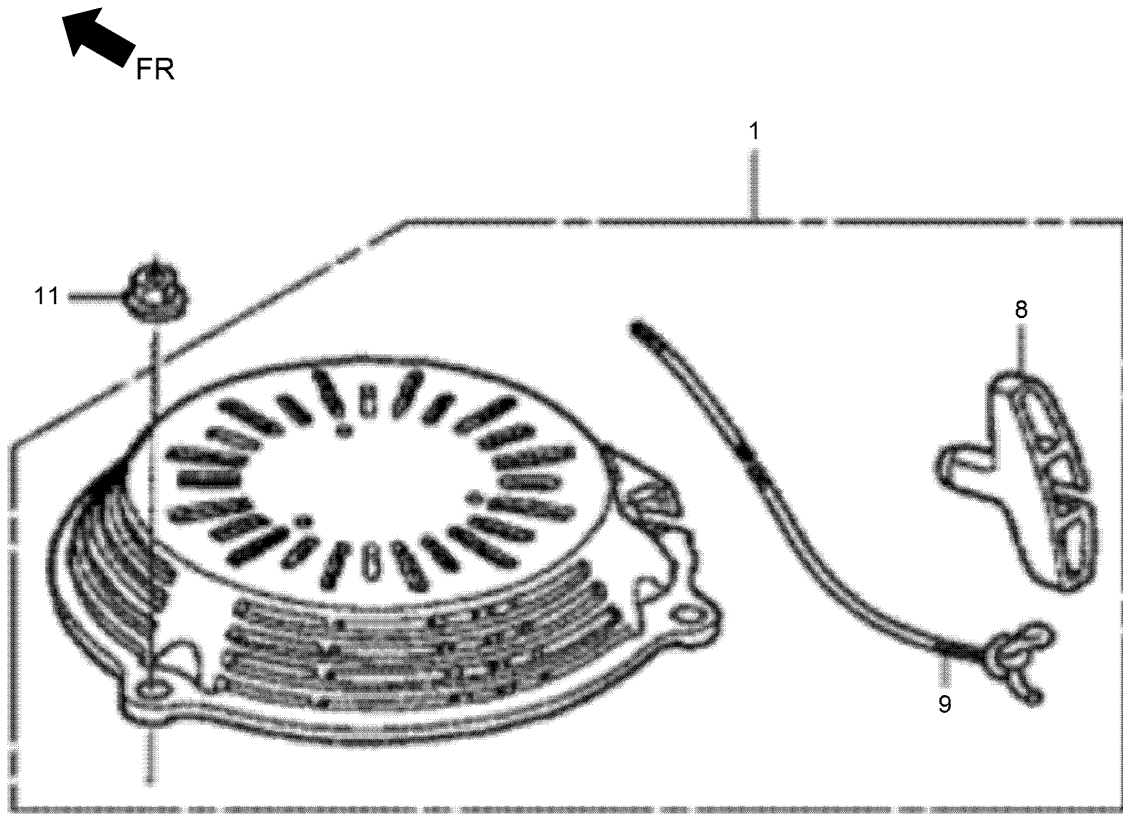
Camshaft Pulley Assembly



Camshaft Pulley Assembly (continued)

<i>Ref.</i>	<i>Part Number</i>	<i>Qty.</i>	<i>Description</i>	<i>Ref.</i>	<i>Part Number</i>	<i>Qty.</i>	<i>Description</i>
1	132-0175	1	Pulley-Camshaft	12	132-0627	2	Nut-Tappet Adjusting
2	132-0177	1	Shaft-Cam Pulley	13	132-0663	1	O-Ring-6.8X1.9
3	132-0179	1	Belt-Timing	15	132-0183	1	Arm-Intake Valve Rocker
6	132-0190	2	Shaft-Rocker Arm	16	132-0187	1	Arm-Exhaust Valve Rocker
11	132-0589	2	Screw-Tappet Adjusting				

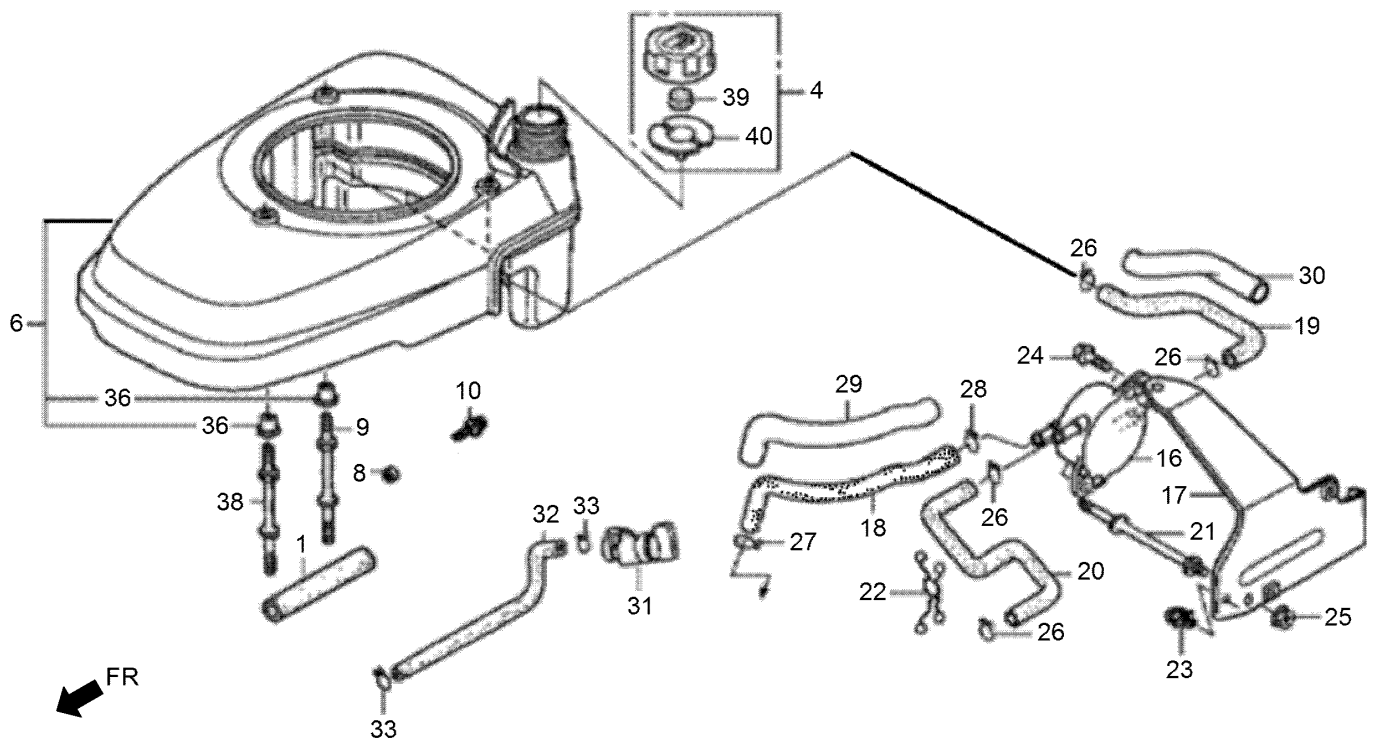
Recoil Starter Assembly



Recoil Starter Assembly (continued)

<i>Ref.</i>	<i>Part Number</i>	<i>Qty.</i>	<i>Description</i>	<i>Ref.</i>	<i>Part Number</i>	<i>Qty.</i>	<i>Description</i>
1	132-0480	1	Starter ASM-Recoil (Nh1)	9	132-0508	1	Rope-Recoil Starter
8	132-0505	1	Grip-Starter	11	132-0626	3	Nut-Flange-6Mm

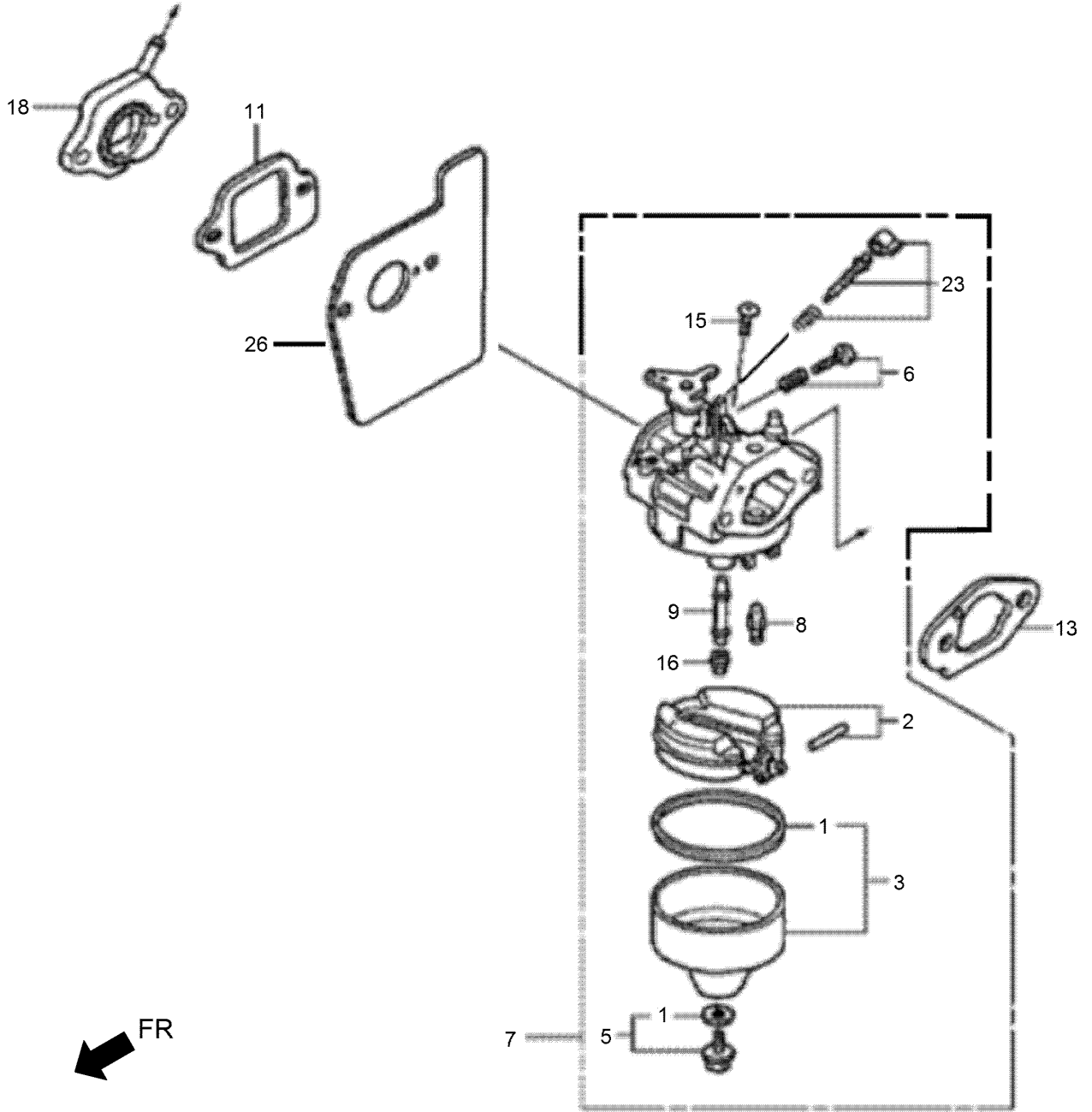
Fuel Tank and Fuel Pump Assembly



Fuel Tank and Fuel Pump Assembly (continued)

<i>Ref.</i>	<i>Part Number</i>	<i>Qty.</i>	<i>Description</i>	<i>Ref.</i>	<i>Part Number</i>	<i>Qty.</i>	<i>Description</i>
1	132-0349	1	Rubber-Supporter	24	132-0683	2	Screw-Washer-5X14
4	132-0411	1	Cap ASM-Fuel Tank	25	132-4881	1	Nut-Flange-6Mm
6	132-0463	1	Fan Cover ASM (Nh1)	26	131-8209	4	Clip-Tube
8	132-0527	1	Collar-Fr Winker	27	131-8214	1	Clip-Tube
9	132-0608	2	Bolt-Stud	28	131-8215	1	Clip-Tube
10	132-0681	1	Screw-Washer-5X10	29	131-8217	1	Tube-Vinyl-9X11X210
16	132-0346	1	Pump ASM-Fuel	30	131-8218	1	Tube-Vinyl-11X13X100
17	132-0347	1	Stay-Fuel Pump	31	132-0355	1	Cock ASM-Fuel
18	132-0352	1	Tube-Diaphragm	32	132-0440	1	Tube-Fuel
19	132-0434	1	Tube-Fuel Tank	33	132-0699	2	Clip-Tube
20	132-0441	1	Tube B-Fuel	36	132-0471	3	Collar-Fan Cover
21	132-0607	1	Bolt-Stud	38	132-0608	1	Bolt-Stud
22	132-0639	1	Clip-Purse Lock	39	132-0420	1	Sponge-Fuel Cap Breather
23	132-0644	1	Clip-Wire Harness	40	132-0423	1	Packing-Fuel Cap

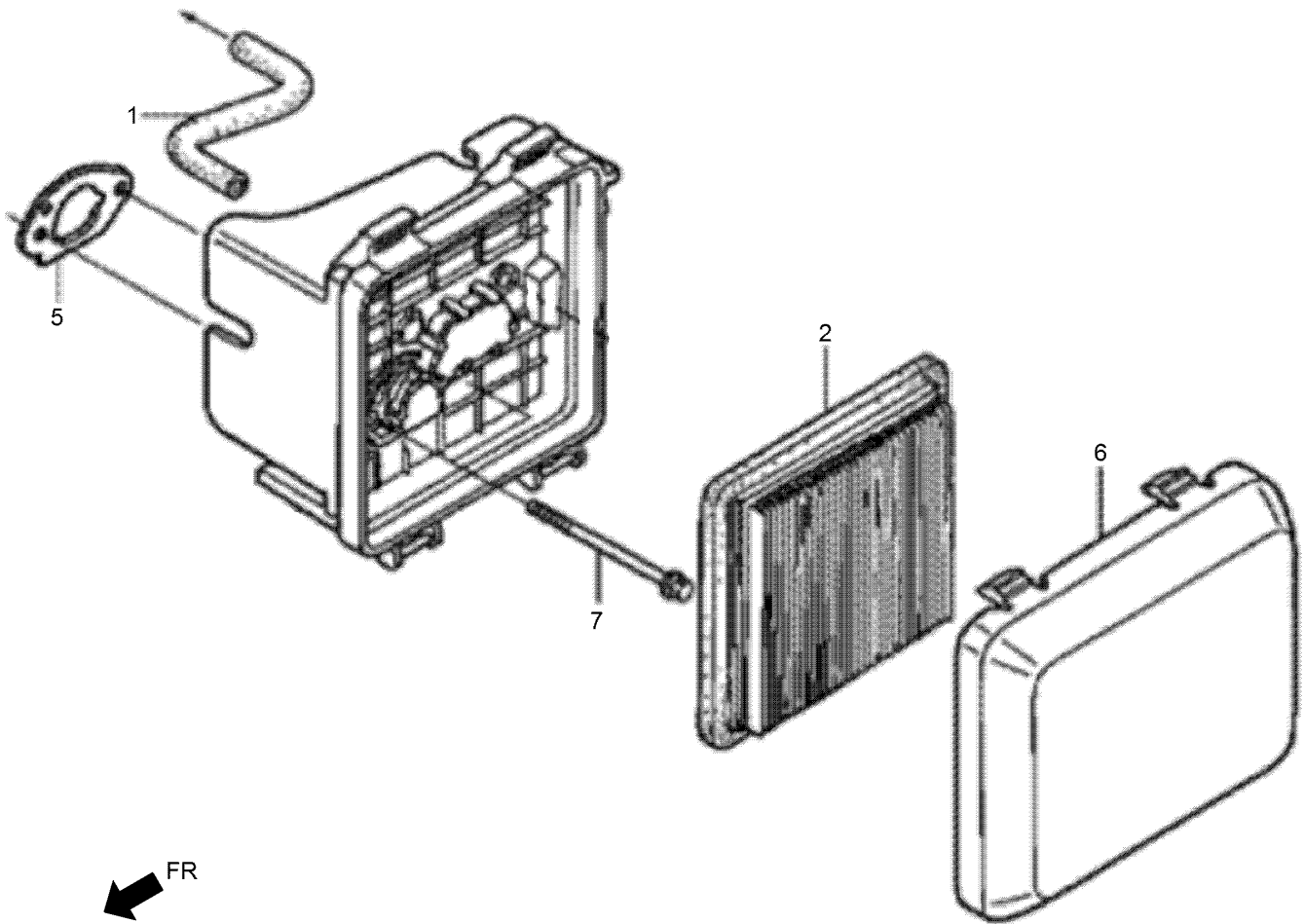
Carburetor Assembly



Carburetor Assembly (continued)

<i>Ref.</i>	<i>Part Number</i>	<i>Qty.</i>	<i>Description</i>	<i>Ref.</i>	<i>Part Number</i>	<i>Qty.</i>	<i>Description</i>
1	132-0238	1	Packing Set	11	132-0282	1	Packing-Insulator
2	132-0244	1	Float Set	13	132-0289	1	Packing-Carburetor
3	132-0246	1	Chamber Set-Float	15	132-0677	1	Screw-Pan-5X6
5	132-0254	1	Screw Set	16	131-8234	1	Jet-Main No. 62
6	132-0256	1	Screw Set	16	131-8235	1	Jet-Main No. 65
7	132-0264	1	Carburetor ASM (Bb62Y C)	18	132-0277	1	Carburetor Insulator ASM
8	132-0270	1	Valve-Float	23	132-0249	1	Screw Set
9	132-0273	1	Nozzle-Main (Bb62W C)	26	132-0476	1	Guide-Air

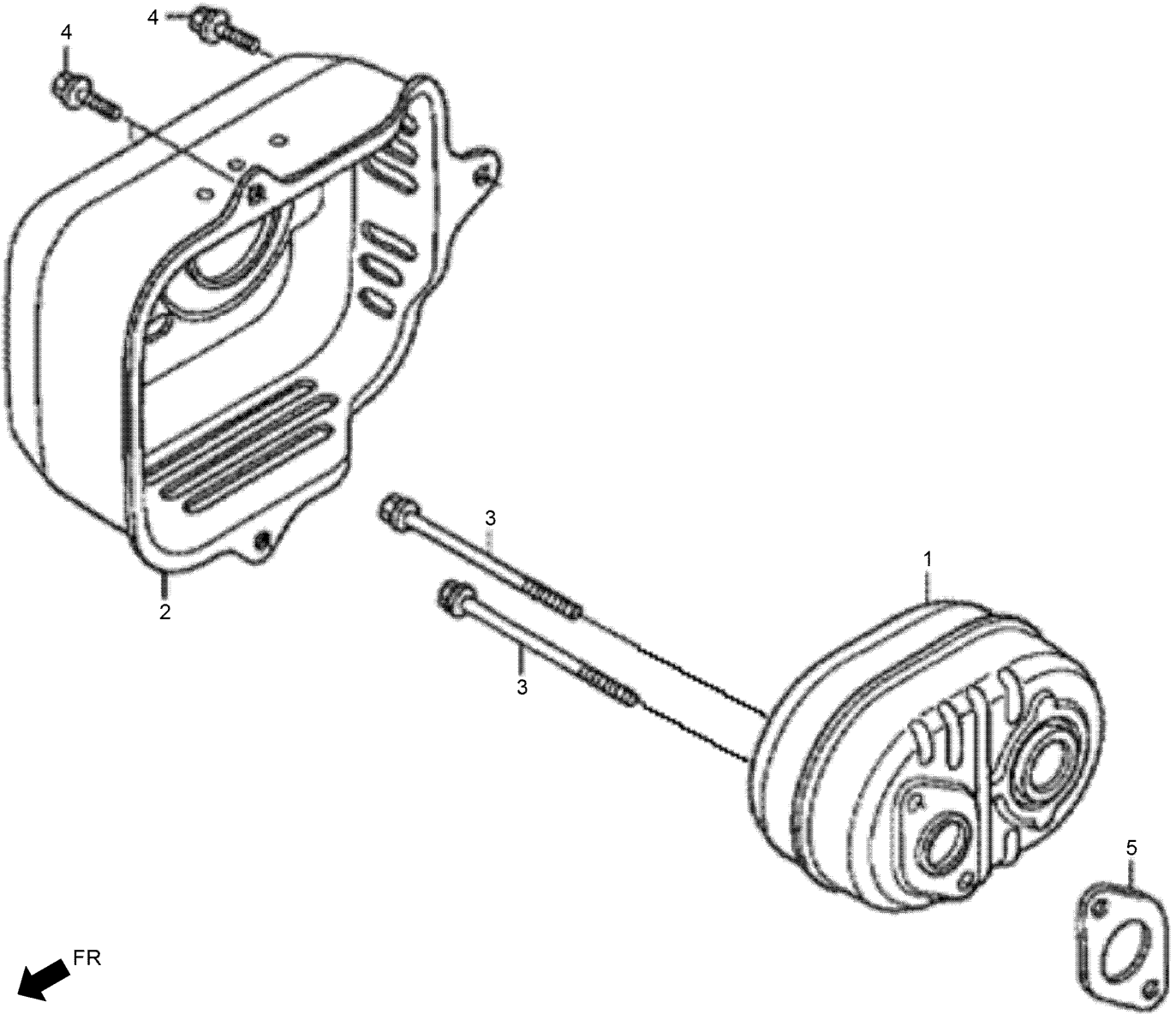
Air Cleaner Assembly



Air Cleaner Assembly (continued)

<i>Ref.</i>	<i>Part Number</i>	<i>Qty.</i>	<i>Description</i>	<i>Ref.</i>	<i>Part Number</i>	<i>Qty.</i>	<i>Description</i>
1	132-0233	1	Tube-Breather	6	132-0386	1	Cover-Air Cleaner
2	132-0368	1	Element-Air Cleaner	7	132-0581	2	Bolt-Flange-6X85
5	132-0381	1	Packing-Air Cleaner				

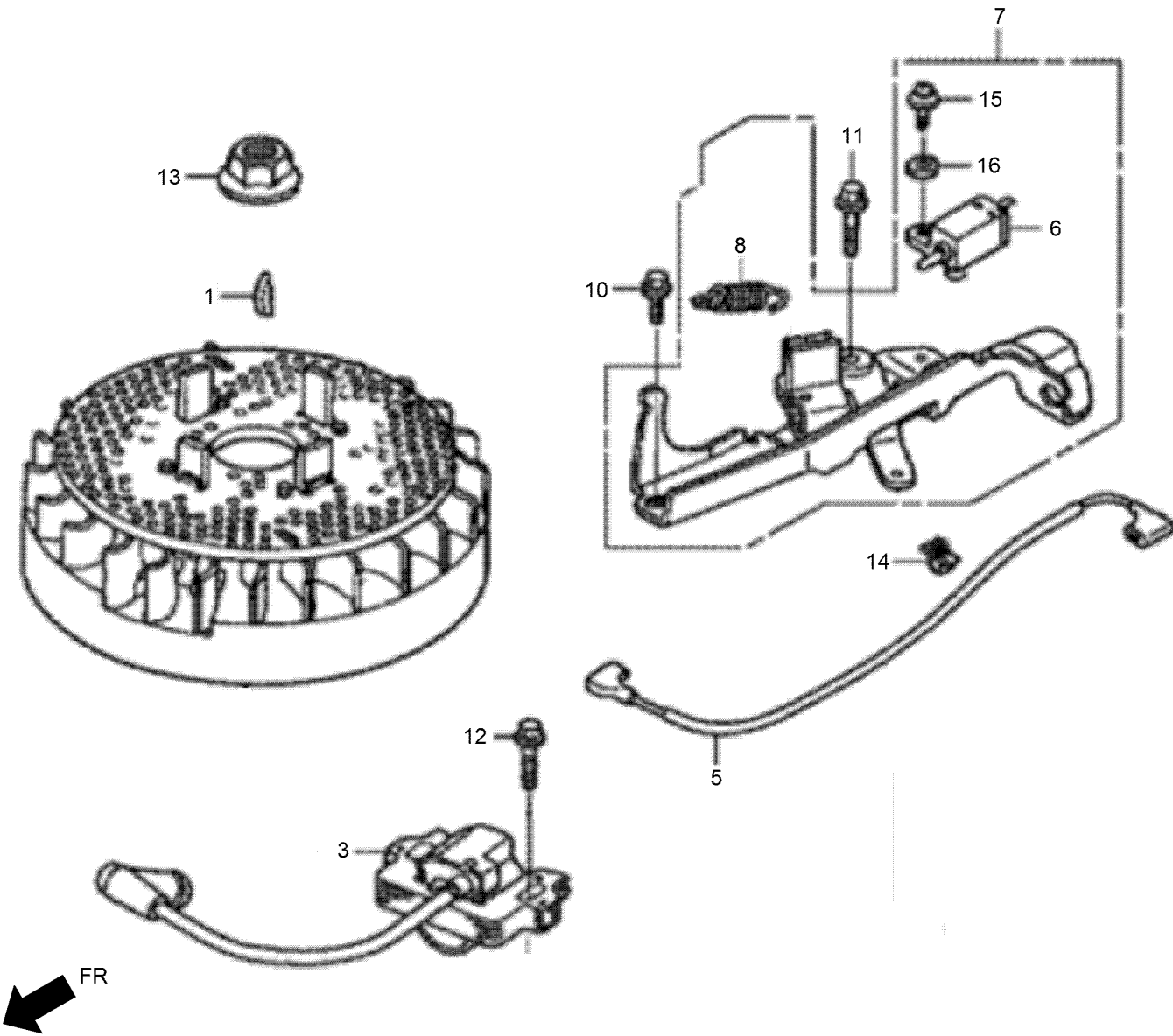
Muffler Assembly



Muffler Assembly (continued)

<i>Ref.</i>	<i>Part Number</i>	<i>Qty.</i>	<i>Description</i>	<i>Ref.</i>	<i>Part Number</i>	<i>Qty.</i>	<i>Description</i>
1	132-0448	1	Muffler	4	132-4880	3	Bolt-Flange-6X12
2	132-0452	1	Muffler Protector ASM	5	132-0458	1	Gasket-Muffler
3	132-0584	2	Bolt-Flange-6X79				

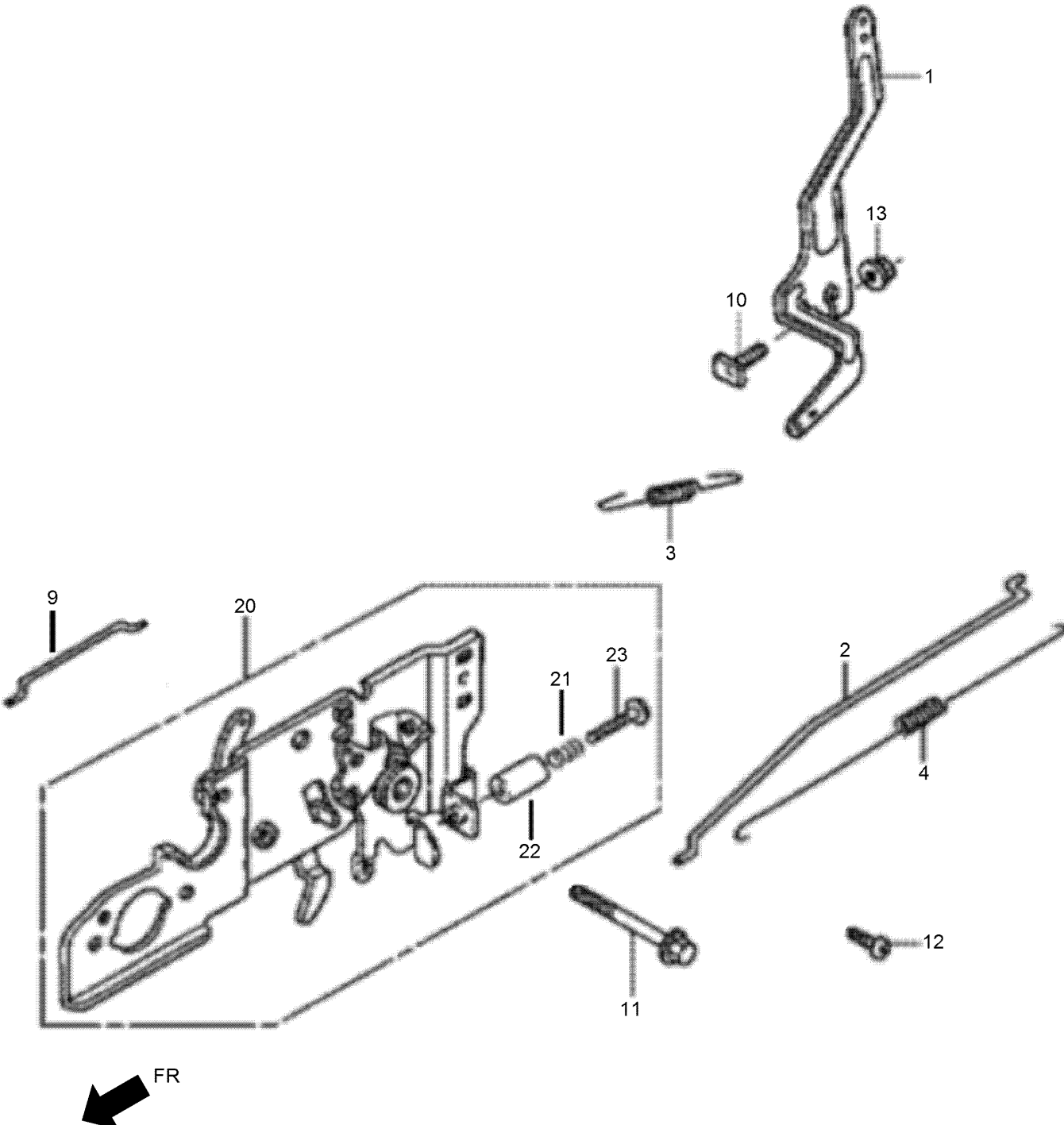
Flywheel and Ignition Coil Assembly



Flywheel and Ignition Coil Assembly (continued)

<i>Ref.</i>	<i>Part Number</i>	<i>Qty.</i>	<i>Description</i>	<i>Ref.</i>	<i>Part Number</i>	<i>Qty.</i>	<i>Description</i>
1	132-0167	1	Key-Special Woodruff-25X18	10	132-0595	1	Bolt-Flange-6X14
3	132-0512	1	Coil ASM-Ignition	11	132-0603	1	Bolt-Flange-6X23
5	132-0525	1	Cord-Stop Switch	12	132-0605	1	Bolt-Flange-6X20
6	132-0531	1	Switch ASM-Engine Stop	13	132-0625	1	Nut-Special-14Mm
7	132-0535	1	Brake ASM	14	132-0645	1	Clip A-Cable
8	132-0538	1	Spring-Brake Lever	15	132-0682	1	Screw-Washer-4X12
				16	132-0689	1	Washer-Plain-4Mm

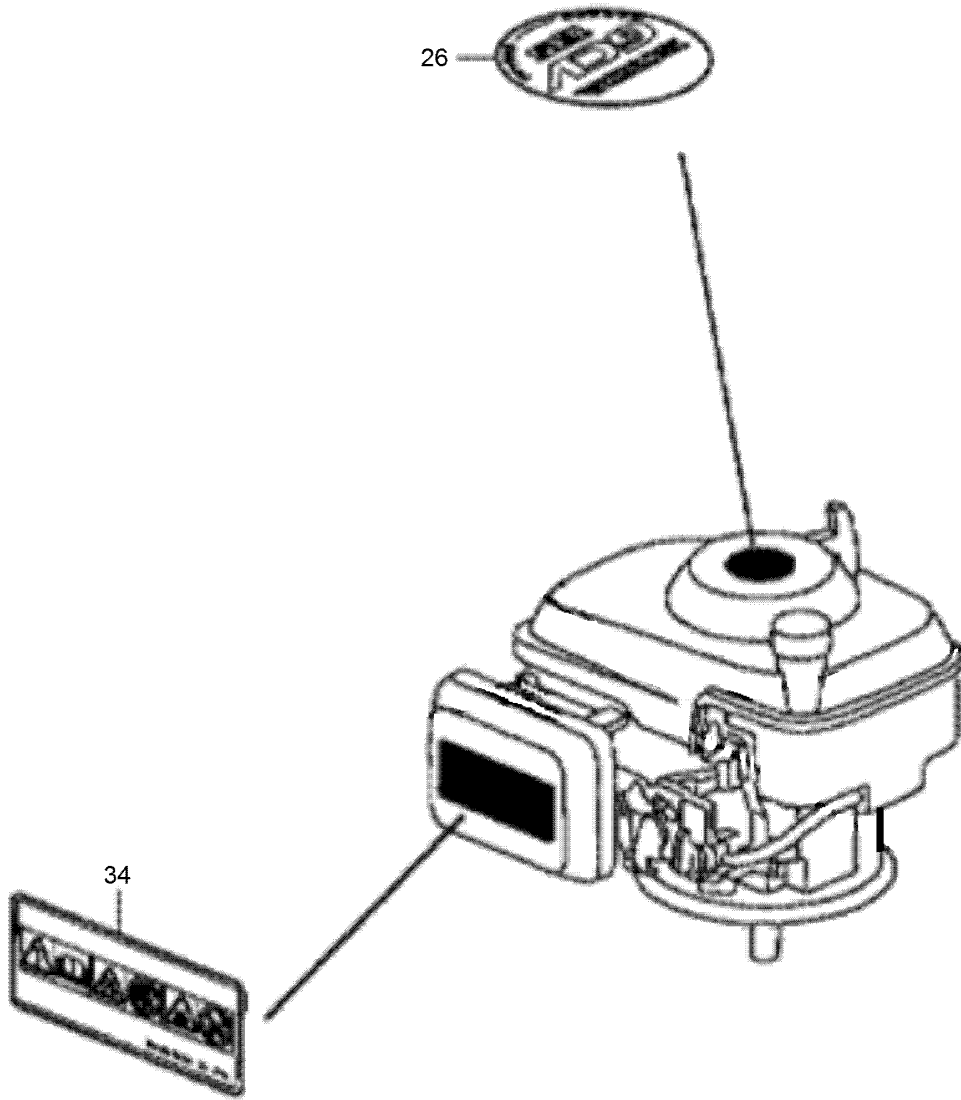
Control Assembly



Control Assembly (continued)

<i>Ref.</i>	<i>Part Number</i>	<i>Qty.</i>	<i>Description</i>	<i>Ref.</i>	<i>Part Number</i>	<i>Qty.</i>	<i>Description</i>
1	132-0312	1	Arm-Governor	12	132-0678	1	Screw-Pan-5X16
2	132-0317	1	Rod-Governor	13	132-4881	1	Nut-Flange-6Mm
3	132-0321	1	Spring-Governor	20	132-0336	1	Control Base ASM
4	132-0325	1	Spring-Throttle Return	21	132-0340	1	Spring-Control Adjusting
9	132-0345	1	Rod-Choke	22	132-0342	1	Collar-Stopper
10	132-0598	1	Bolt-Governor Arm	23	132-0601	1	Screw-Recessed-5X28
11	132-0602	1	Bolt-Flange-6X45				

Label Assembly



Label Assembly (continued)

<i>Ref.</i>	<i>Part Number</i>	<i>Qty.</i>	<i>Description</i>
26	132-0539	1	Mark-Emblem
34	132-4879	1	Mark-Operator Caution

Attachments and Accessories

For 02606 HoverPro 550 Mower

Product Name	Model/Part
Transport Wheel Kit	02622
Handlebar Extension Kit	02623
Anti-Vibration Handlebar Kit	02624

Notes:



Count on it.