



MODEL NO. 30129 – 390101 & UP  
and 2000101 – 2000697

INSTALLATION  
INSTRUCTIONS

## 37" BAGGING KIT

37" Recycler® Deck

### LOOSE PARTS

Description	Qty	Where Used
Exhaust elbow	1	Install on muffler
Clamp	1	
Bagger frame	1	Mount to mower frame
Capscrews 3/8 – 16 x 1-1/2" lg.	2	Mount rear (bottom) of bagger to frame
Spacers	2	
Large head capscrew 3/8 – 16 x 1-1/4" lg.	1	Mount rear (top) of bagger to frame
Bagger frame tubes	2	Mount to bagger support
Chute assembly	1	Mount to deck channel
Bag & duct assembly	1	Mount to bagger frame and chute assembly
Capscrews 5/16 – 18 x 3/4" lg.	2	Use if chute or cover mounting fasteners are misplaced
Lockwashers (External tooth)	2	
Wing nuts 5/16 – 18	2	
Installation Instructions	1	
Parts Catalog	1	

### SET UP INSTRUCTIONS

#### INSTALL EXHAUST ELBOW

**IMPORTANT:** To protect bag from engine exhaust, all mowers with mufflers mounted on right side of engine must install exhaust elbow.



#### WARNING

To avoid personal injury, be sure the exhaust system is thoroughly cooled before installing the kit.

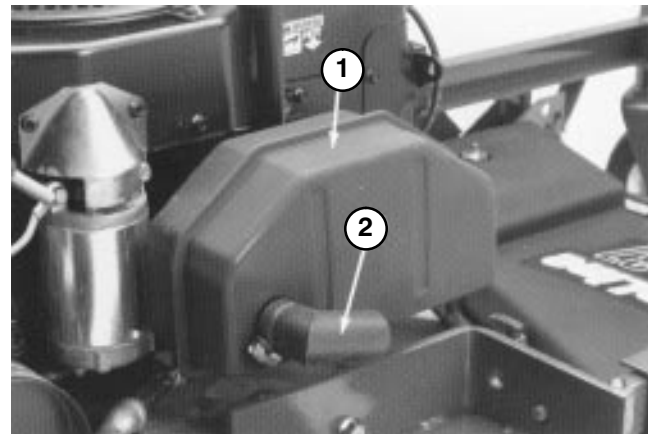


Figure 1

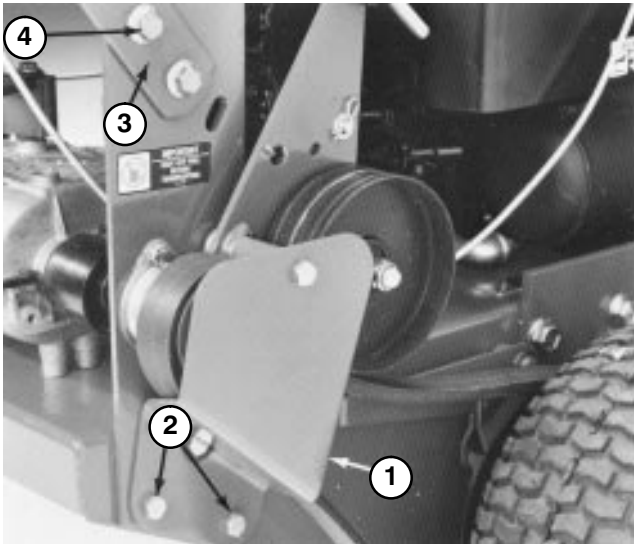
1. Muffler
2. Exhaust Elbow

1. Slide the clamp assembly over the exhaust outlet tube.
2. With the exhaust elbow outlet directed toward the front of the machine, fit the elbow over the exhaust outlet tube (Fig. 1).
3. Position the clamp over the slotted section of the elbow and tighten the clamp to secure the elbow to the tube.

#### MOUNT BAGGER FRAME

1. Remove (2) capscrews and locknuts securing bottom of R.H. support bracket to rear frame (Fig. 2).
2. Remove top flange head capscrew and flangenut securing right side of handle to frame (Fig. 2).

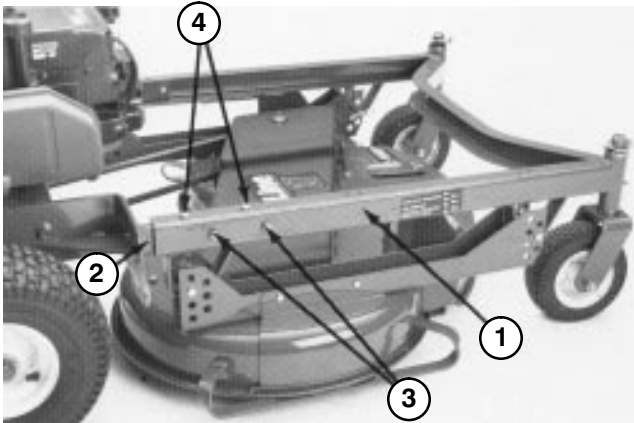
# SET UP INSTRUCTIONS



**Figure 2**

- 1. R.H. Support Bracket
- 2. Support Bracket Mounting Screws
- 3. Handle
- 4. Top Handle Mounting Screw

3. Remove (2) capscrews and locknuts securing right side of carrier frame to frame angle bracket. To simplify the removal of side capscrews, it may be necessary to loosen the top capscrews securing carrier frame to frame angle bracket (Fig. 3).



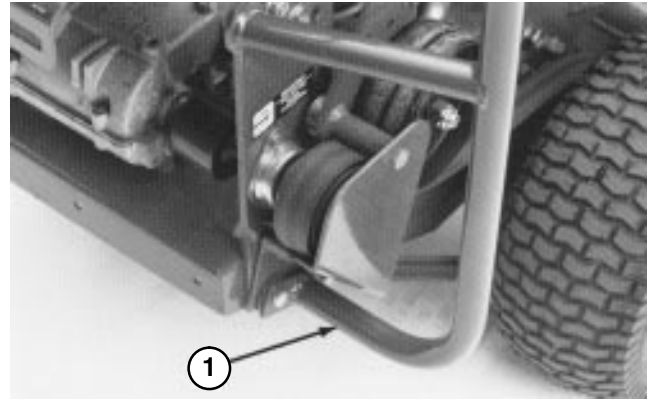
**Figure 3**

- 1. Carrier Frame
- 2. Frame Angle Bracket
- 3. Side Mounting Capscrews
- 4. Top Mounting Capscrews

4. Loosely secure rear of bagger frame to bottom of R.H. support bracket and rear frame with (2) 3/8 - 16 x 1-1/2" lg. capscrews and spacers (supplied in loose parts bag) and locknuts previously removed (Fig. 4).

**Note:** If rear support bracket capscrew is also mounting a sulky hitch bracket, no spacer is required. A spacer is required only on the front capscrew.

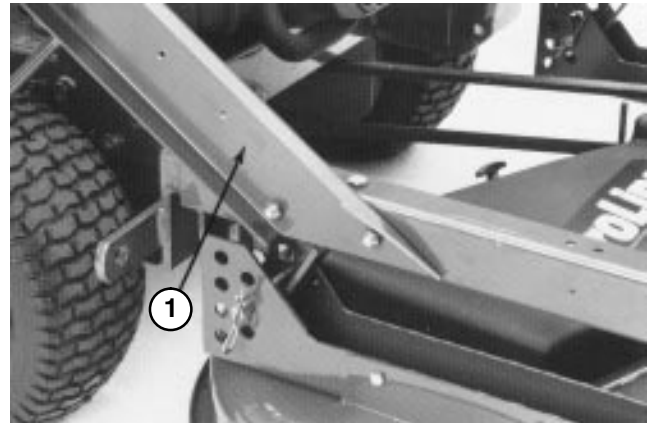
5. Loosely secure rear of bagger frame and handle to rear frame with large head capscrew (supplied in loose parts bag) and flangenut previously removed (Fig. 4).



**Figure 4**

- 1. Rear of Bagger Frame

6. Secure front of bagger frame to carrier frame and frame angle bracket with (2) capscrews and locknuts previously removed (Fig. 5). Tighten all mounting screws and locknuts.

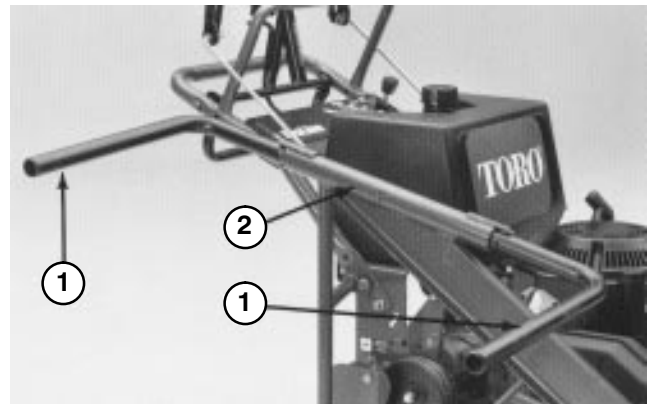


**Figure 5**

- 1. Front of Bagger Frame

7. Insert a bagger frame tube into each end of bagger support and lock in slots (Fig. 6).

**NOTE:** When bagging is not required or when transporting machine, pivot and hook rear bagger frame tube into the down position and front tube toward the inside of the machine.



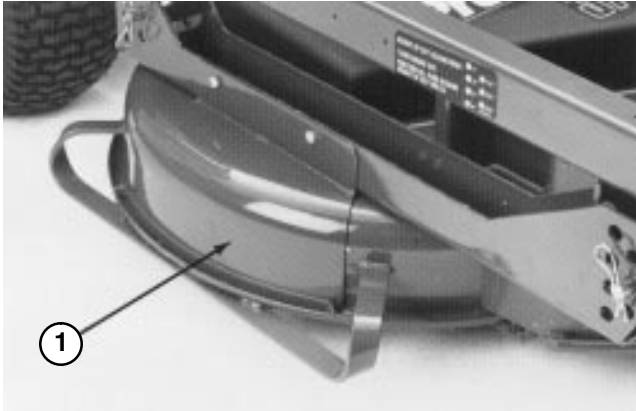
**Figure 6**

- 1. Bagger Frame Tube
- 2. Bagger Support

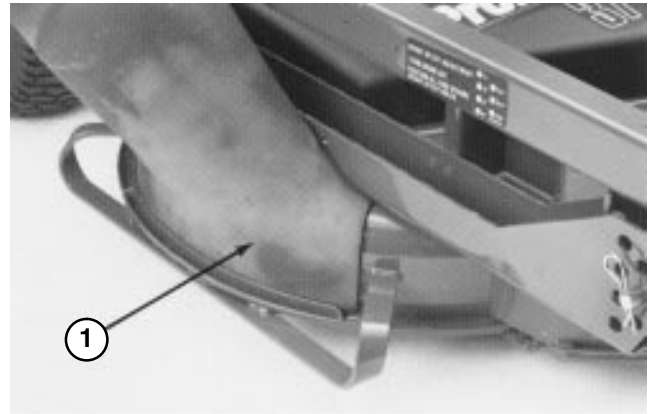
# SET UP INSTRUCTIONS

## INSTALL CHUTE, DUCT & BAG ASSEMBLY

1. Remove (2) capscrews, lockwashers and wing nuts securing discharge cover to deck channel. Remove cover (Fig. 7).



**Figure 7**  
1. Discharge Cover



**Figure 8**  
1. Chute Assembly

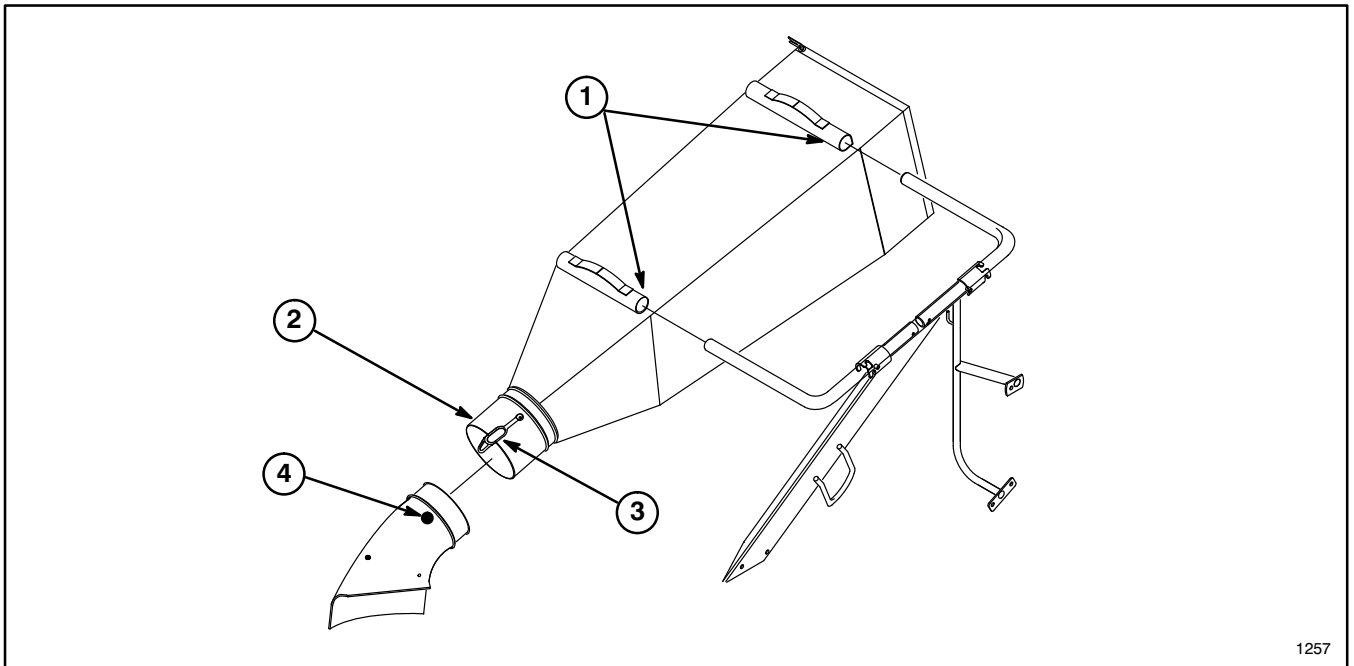
2. Slide chute assembly onto deck lip while aligning mounting holes in deck channel (Fig. 8).

3. Secure chute assembly to deck channel with (2) capscrews, lockwashers and wing nuts previously securing discharge cover to deck channel.

**Note:** An extra set of chute mounting fasteners are supplied with bagging kit. Use these if mounting fasteners are misplaced.

4. Slide bag seams onto bagger frame tubes so duct is positioned to front of mower (Fig. 9).

5. Hook bag strap eyelet onto hook on bag frame.



**Figure 9**

1. Bag Seams  
2. Duct

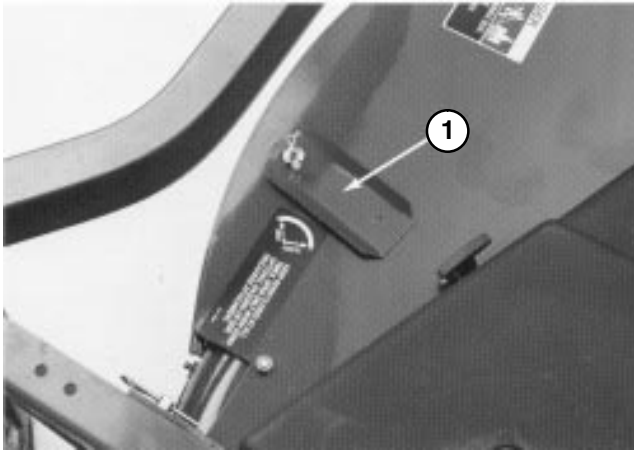
3. Duct Retainer  
4. Chute Knob

6. Slide duct onto chute assembly, aligning duct retainer with chute knob. Hook retainer onto knob, securing assemblies (Fig. 9).

7. On rear of bag, draw up on string and secure with clip.

8. Loosen wing nut securing slot cover to top of deck (Fig. 10). Lift cover tongue out of slot, rotate cover 180°, pull cover outward to move deck door into the discharge position. Insert cover tongue into slot and tighten wing nut.

# SET UP INSTRUCTIONS



**Figure 10**  
1. Slot Cover



## CAUTION

Keep door closed at all times. Open only when using bagging or side discharge attachment.

## OPERATION

### TO EMPTY BAGGER

1. Shift transmission into NEUTRAL, apply parking brake (if so equipped), move deck engagement switch to OFF or release control bail and shut OFF engine.
2. Unhook duct retainer from chute knob. Slide duct off chute assembly.
3. Unhook bag strap eyelet from hook on bag frame.
4. Slide bag seams off bagger frame tubes.
5. Unhook clip from rear draw string and open bag.

### BAGGING TIPS



## DANGER

Do not operate mower without the grass deflector, discharge chute cover or entire grass catcher in place.



## DANGER

Always install bagging attachment before starting the engine. When removing or installing bag SHUT ENGINE AND BLADES OFF.

1. Cut grass when it is dry to avoid slippery footing and clogging mower housing or discharge area.



## DANGER

Never attempt to unclog bagger, deck or perform maintenance on machine while engine is running. Shut engine off, remove key from ignition switch and wire from spark plug. Make sure wire does not accidentally contact spark plug.

2. Cut long grass with height-of-cut at highest setting, then cut again using lower setting.
3. Empty the bag often to reduce the possibility of clogging the mower housing and discharge area.
4. Avoid bagging when mowing rough, uncertain areas.



## WARNING

The grass bag is made of material that will catch the majority of foreign objects, such as small stones that may be thrown into them. However, under normal usage, this material is subject to deterioration and wear; therefore check bag frequently. If bag is worn, replace it with a genuine TORO part.