



MODEL NO. 26633B – 6900001 & UP

OPERATOR'S
MANUAL53 CM REAR BAGGER
MOWER

SAFETY INSTRUCTIONS

TRAINING

1. Read the instructions carefully. Be familiar with the controls and the proper use of the equipment.
2. Never allow children or people unfamiliar with these instructions to use the lawnmower. Local regulations may restrict the age of the operator.
3. Never mow while people, especially children, or pets are nearby.
4. Keep in mind that the operator or user is responsible for accidents or hazards occurring to other people or their property.

PREPARATION

1. While mowing, always wear substantial footwear and long trousers. Do not operate the equipment when barefoot or wearing open sandals.
2. Thoroughly inspect the area where the equipment is to be used and remove all objects which may be thrown by the machine.
3. **WARNING** – Petrol is highly flammable.
 - Store fuel in containers specifically designed for this purpose.
 - Refuel outdoors only and do not smoke while refuelling.
 - Add fuel before starting the engine. Never remove the cap of the fuel tank or add petrol while the engine is running or when the engine is hot.
 - If petrol is spilled, do not attempt to start the engine but move the machine away from the area of spillage and avoid creating any source of ignition until petrol vapors have dissipated.
 - Replace all fuel tanks and container caps securely.
4. Replace faulty silencers.
5. Before using, always visually inspect to see that the blades, blade bolts and cutter assembly are not worn or damaged. Replace worn or damaged blades and bolts in sets to preserve balance.
6. On multi-bladed machines, take care as rotating one blade can cause other blades to rotate.

OPERATION

1. Do not operate the engine in a confined space where dangerous carbon monoxide fumes can collect.
2. Mow only in daylight or in good artificial light.
3. Avoid operating the equipment in wet grass, where feasible.
4. Always be sure of your footing on slopes.
5. Walk, never run.
6. For wheeled rotary machines, mow across the face of slopes, never up and down.
7. Exercise extreme caution when changing direction on slopes.
8. Do not mow excessively steep slopes.
9. Use extreme caution when reversing or pulling the lawnmower towards you.
10. Stop the blade(s) if the lawnmower has to be tilted for transportation when crossing surfaces other than grass, and when transporting the lawnmower to and from the area to be mowed.
11. Never operate the lawnmower with defective guards or shields, or without safety devices, for example deflectors and/or grass catchers, in place.
12. Do not change the engine governor settings or overspeed the engine.
13. Disengage all blade and drive clutches before starting the engine.
14. Start the engine or switch on the motor carefully according to instructions and with feet well away from the blade(s).
15. Do not tilt the lawnmower when starting the engine or switching on the motor, except if the lawnmower has to be tilted for starting. In this case, do not tilt it more than absolutely necessary and lift only the part which is away from the operator.
16. Do not start the engine when standing in front of the discharge chute.
17. Do not put hands or feet near or under rotating parts. Keep clear of the discharge opening at all times.



SAFETY INSTRUCTIONS

18. Never pick up or carry a lawnmower while the engine is running.
19. Stop the engine and disconnect the spark plug wire.
 - before clearing blockages or unclogging chute;
 - before checking, cleaning or working on the lawnmower;
 - after striking a foreign object. Inspect the lawnmower for damage and make repairs before restarting and operating the lawnmower;
 - if lawnmower starts to vibrate abnormally (check immediately).
20. Stop the engine
 - whenever you leave the lawnmower;
 - before refuelling.
21. Reduce the throttle setting during engine shut down and, if the engine is provided with a shut-off valve, turn the fuel off at the conclusion of mowing.
22. Go slow when using a trailing seat.

MAINTENANCE AND STORAGE

1. Keep all nuts, bolts and screws tight to be sure the equipment is in safe working condition.
2. Never store the equipment with petrol in the tank inside a building where fumes may reach an open flame or spark.

3. Allow the engine to cool before storing in any enclosure.
4. To reduce the fire hazard, keep the engine, silencer, battery compartment and petrol storage area free of grass, leaves, or excessive grease.
5. Check the grass catcher frequently for wear or deterioration.
6. Replace worn or damaged parts for safety.
7. If the fuel tank has to be drained, this should be done outdoors.

SOUND PRESSURE LEVEL

This unit has an equivalent continuous A-weighted sound pressure at the operator ear of: 85.5 dB(A), based on measurements of identical machines per ANSI B71.5-1984 procedures.

SOUND POWER LEVEL

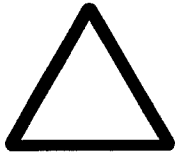
This unit has a sound power level of: 100 dB(A)/1 pW, based on measurements of identical machines per Directive 84/538/EEC and amendments.

VIBRATION LEVEL

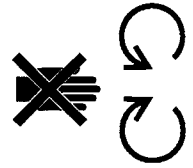
This unit has a maximum hand-arm vibration level of 6.49 m/s², based on measurement of identical machines per ISO 5349 procedures.

SYMBOL GLOSSARY

Safety alert triangle—
symbol within triangle
indicates a hazard



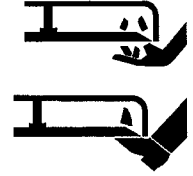
Do not open or
remove safety shields
while engine is running



Safety alert symbol



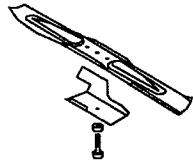
Rotating blade can cut off
toes or fingers. Stay clear of
mower blade as long as
engine is running.



Read operator's manual



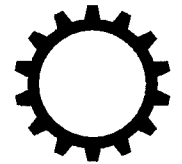
To avoid blade failure when
mulching, use blade stiffener
when mower is equipped
with mulching plug



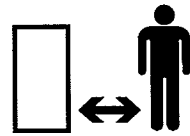
Consult technical
manual for proper
service procedures



Transmission



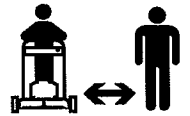
Stay a safe distance
from the machine



Oil



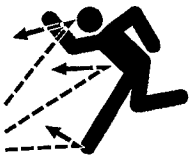
Stay a safe distance
from the mower



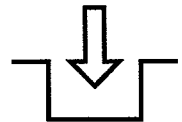
On/Run



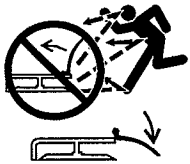
Thrown or flying objects—
Whole body exposure



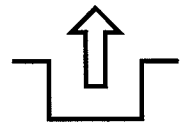
Engage



Thrown or flying objects—
Rotary side-mounted mower.
Keep deflector shield in
place.



Disengage



Stop engine before
leaving operator
position

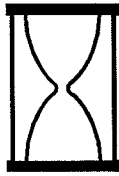


Battery charging
condition



SYMBOL GLOSSARY

Hourmeter/elapsed operating hours



Fast



Slow



Decreasing/increasing



Grease lubrication point



Engine start



Engine stop



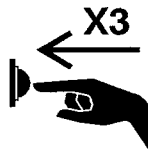
Choke



Primer (start aid)



Push primer three times



Fuel



Neutral

N

First gear

1

Second gear

2

Third gear

3

Cutting element—
basic symbol



Cutting element—
Height adjustment



Pull rope



Wheel



Wheel traction



SYMBOL GLOSSARY

Properly dispose
of batteries



Lower control bar



Insert key into
ignition switch



Raise control bar



Turn key in ignition
switch



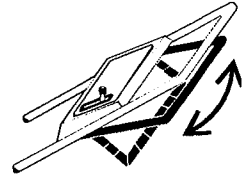
Raise/lower control bar



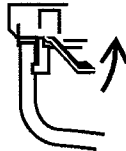
Move control



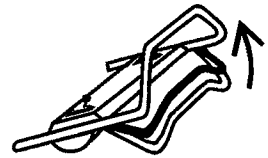
Raise/lower control bar



Move control forward



Raise control bar



Move control rearward



Raise control bar



Lower control bar



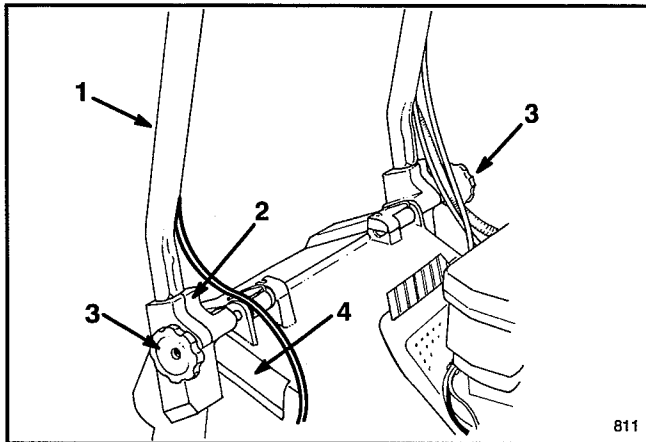
TABLE OF CONTENTS

	Page		Page
Set-Up Instructions	6	Lubrication	15
Before Operating	7	Adjusting Blade Brake	15
Operating Instructions	8	Cleaning Blade Brake Clutch Shields	16
Maintenance	12	Cleaning Mower Housing	17
Servicing Air Cleaner	12	Preparing Mower For Storage	17
Replacing Spark Plug	13	Optional Equipment	18
Draining Gasoline	13	Product Identification	18
Changing Crankcase Oil	13	Toro Service Support	18
Adjusting Throttle	13	The Toro Starting Guarantee	19
Adjusting Traction Wheel Drive	13	Guaranteed To Start Maintenance Record	20
Inspecting/Removing/Sharpening Blade	14		

SET-UP INSTRUCTIONS

INSTALL HANDLE

1. INSTALLING HANDLE—Loosen knobs on mounting brackets (Fig. 1).
2. Position mounting brackets in a vertical position so that holes face up.
3. Slide handle ends into holes in mounting brackets until handle ends are completely seated in brackets (Fig. 1). Make sure cables rest on top of mounting brackets (Fig. 2).



- Figure 1**
- | | |
|---------------------|-------------------|
| 1. Handle | 3. Knob |
| 2. Mounting bracket | 4. Housing pocket |

4. Rotate handle and brackets rearward until brackets fit securely into housing pockets (Fig. 2).
5. Tighten knobs until edges of slots on top of mounting brackets touch.
6. Use cable ties to secure cables to lower ends of handle tubes (Fig. 3). Cable ties should be positioned 25 mm (1") from bend in handles. See Figure 3 for correct placement.

Note: Make sure cables do not interfere with the raising or lowering of discharge door.

7. Cut excess length from ends of cable ties.

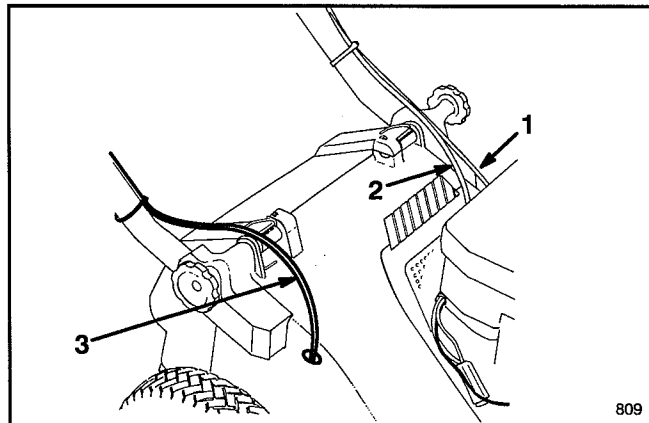


Figure 2

- | | | |
|-------------------|-------------------|--------------------|
| 1. Throttle cable | 2. Traction cable | 3. Gearshift cable |
|-------------------|-------------------|--------------------|

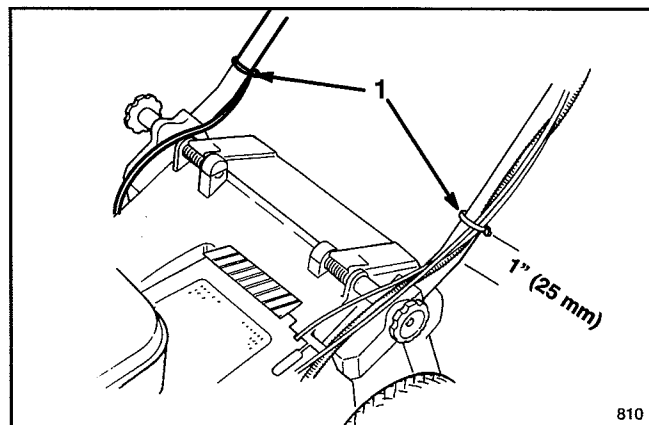


Figure 3

- | |
|--------------|
| 1. Cable tie |
|--------------|

INSTALL GRASS BAG

1. Raise discharge door, slide bag ramp attached to bag into discharge opening, and hook bag frame onto rounded portion of mounting brackets (Fig. 4).

SET-UP INSTRUCTIONS

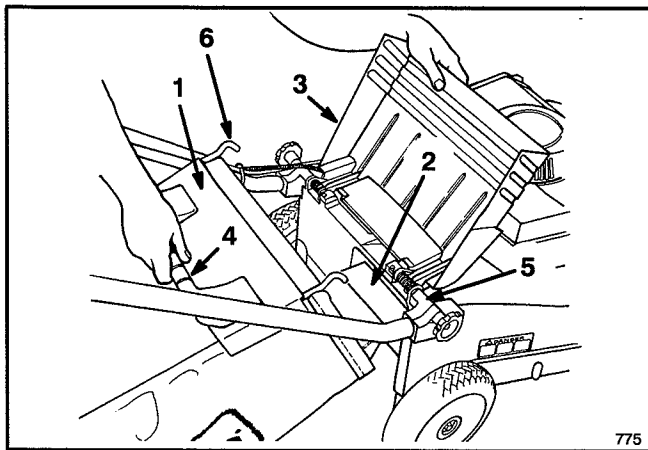


Figure 4

- | | | |
|-------------|-------------------|---------------------|
| 1. Bag door | 3. Discharge door | 5. Mounting bracket |
| 2. Bag ramp | 4. Bag handle | 6. Bag frame hook |

Note: Make sure grass bag door is **fully** closed against grass bag before installing bag on mower.

- Allow discharge door to rest on top of bag (Fig. 5).

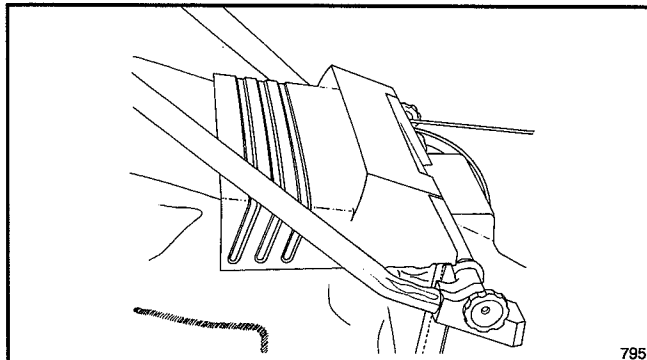


Figure 5

BEFORE OPERATING

FILL CRANKCASE WITH OIL

Fill crankcase with SAE 30 oil until oil level reaches FULL mark on dipstick as shown in Figure 6. 10W30 oil may be substituted if SAE 30 oil is not available. The maximum crankcase capacity is 25 ounces (0.75 liters) of oil. Use any high quality detergent oil having the American Petroleum Institute (API) "service classification" — SF, SG or SH.

Before each use, ensure oil level is between ADD and FULL marks (Fig. 6). Add oil if level is low.

- Position mower on level surface and clean around oil dipstick.
- Remove dipstick by rotating cap counterclockwise 1/4 turn.

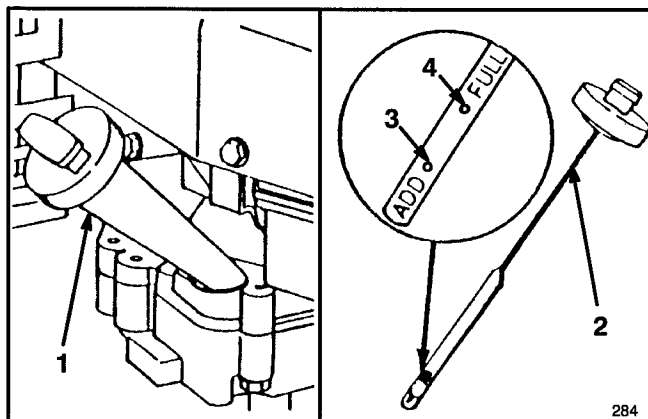


Figure 6

- | | | | |
|------------------|-------------|-------------|--------------|
| 1. Oil fill tube | 2. Dipstick | 3. ADD mark | 4. FULL mark |
|------------------|-------------|-------------|--------------|

3. Wipe dipstick and insert it into filler neck. Rotate cap 1/4 turn. Then remove dipstick and check level of oil (Fig. 6). If level is low, add only enough oil to raise level to FULL mark on dipstick. **DO NOT FILL ABOVE**

FULL MARK BECAUSE ENGINE COULD BE DAMAGED WHEN STARTED. POUR OIL SLOWLY.

Note: Check oil level each time mower is used or after every 5 hours of mower operation. Initially, change oil after the first 2 hours of operation; thereafter, change oil after every 25 hours of operation. Refer to Changing Crankcase Oil, page 13. More frequent oil changes are required in dusty or dirty conditions.

- Insert dipstick into filler neck and rotate cap clockwise 1/4 turn to lock it in place.

FILL FUEL TANK WITH GASOLINE



WARNING

DANGER: Gasoline is extremely flammable and explosive under certain conditions. **DO NOT SMOKE** when handling fuel and keep fuel far away from open flames and sparks. Never buy more than a 30 day supply of gasoline. Store it in an approved container. Keep gasoline out of reach of children.

Refuel outdoors and only when engine is cold. Do not fill tank full. Fill tank to within 6 to 13 mm (1/4" to 1/2") from top of tank, not into filler neck. This space is for expansion of fuel. Use funnel or spout to prevent spilling. Wipe up any spilled gas.

Note: The Toro Company strongly recommends the use of fresh, clean, **UNLEADED** regular grade gasoline in Toro gasoline powered products. Unleaded gasoline burns cleaner, extends engine life, and promotes good starting by reducing the build-up of combustion chamber deposits. Leaded gasoline can be used if unleaded is not available.

- Clean around fuel tank cap (Fig. 8) and remove cap from tank.

BEFORE OPERATING

2. If there is a blue plastic cap covering the gas tank opening, remove the cap and discard.
3. Using unleaded gasoline, fill fuel tank to within 6 to 13 mm (1/4 to 1/2 inch) from top of tank, not into the filler neck. Do not fill tank full.
4. Install fuel tank cap and wipe up any spilled gasoline.

Toro also recommends that Toro Stabilizer/Conditioner be used regularly in all Toro gasoline powered products during operation and storage seasons. Toro Stabilizer/Conditioner cleans the engine during operation and prevents gum-like varnish deposits from forming in the engine during periods of storage.

IMPORTANT: Do not mix oil with the gasoline. Never use methanol, gasoline containing methanol, gasohol containing more than 10% ethanol, premium gasoline or white gas because engine fuel system damage could result.

Do not use fuel additives other than those manufactured for fuel stabilization during storage such as Toro's Stabilizer/Conditioner or a similar product. Toro's Stabilizer/Conditioner is a petroleum distillate based conditioner/stabilizer. Toro does not recommend stabilizers with an alcohol base such as ethanol, methanol or isopropyl. Additives should not be used to try to enhance the power or performance of machine.

OPERATING INSTRUCTIONS

OPERATING TIPS


1. **CHECK OIL LEVEL**—Maintain oil level between ADD and FULL range as shown on dipstick (Fig. 6).
2. **BEFORE EACH MOWING**—Ensure self-propelled drive and control bar function properly. Traction drive and blade are designed to stop when control bar is released.
3. **CUTTING AND BAGGING**—Best results are achieved when engine is running at maximum speed and only about 1/3 of the grass blade is cut. If long grass must be cut, use highest height-of-cut setting for first mowing. Then recut the grass at a more normal setting. If too long of grass is cut, mower may plug and cause engine to stall.

When cutting in dry, dusty conditions move the throttle to a slower speed to reduce the amount of dust generated by mower.

4. **SHARP BLADE**—Begin each cutting season with a sharp blade. Periodically file down nicks.

STARTING, STOPPING, AND SELF-PROPELLING

CONTROLS—Throttle, ground speed control, and self-propelled control bar are on upper handle (Fig. 7). Fingertip starter is on top of engine (Fig. 8).

1. Push spark plug wire onto spark plug.
2. **STARTING**—Move ground speed control to "N" (Fig. 7). Move throttle to  (CHOKE). Brace yourself and mower securely by placing your foot on the top left side of mower housing. Pull recoil starter out until positive engagement results; then pull vigorously to start the engine. When engine starts, remove throttle from CHOKE and regulate engine speed as desired.
3. **TRACTION OPERATION** (Fig. 7)—Move ground speed control to desired setting. Number "1" is slow, "2" is medium, and "3" is a fast walking pace. Ground speed varies, depending on space between control bar and handle. Move ground speed control to "N" when using the mower for trimming and whenever leaving the mower.

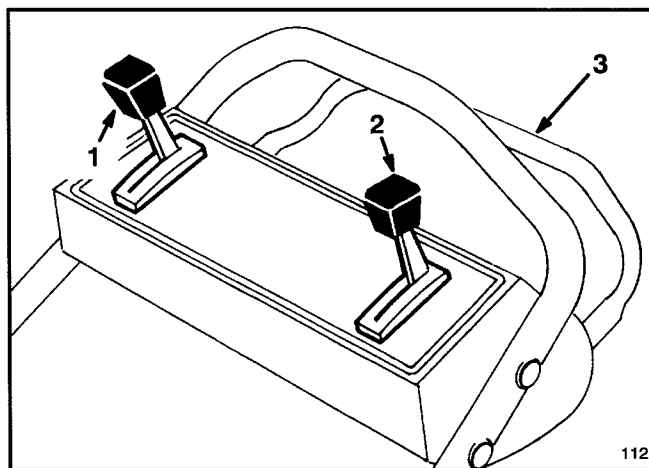


Figure 7

1. Ground speed 2. Throttle 3. Self-propelled control bar

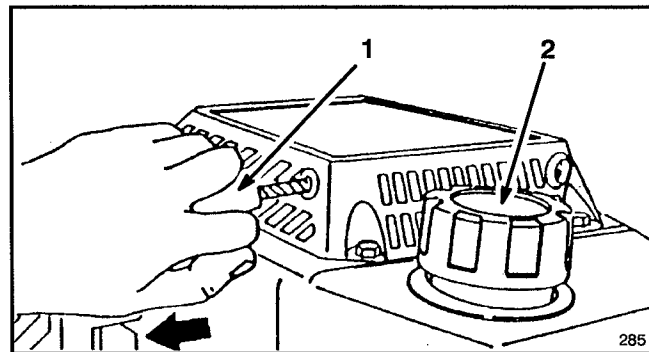


Figure 8

1. Fingertip starter 2. Gas tank cap

4. **BLADE AND TRACTION OPERATION** (Fig. 9)—Move control bar down to "A" and raise to "B" to engage blade. Squeeze control bar against handle "C" to drive. To disengage traction drive but keep blade engaged, gradually release control bar to mid position. To self-propel with blade disengaged, simply squeeze control bar against handle, eliminating downward movement necessary for blade engagement.

OPERATING INSTRUCTIONS

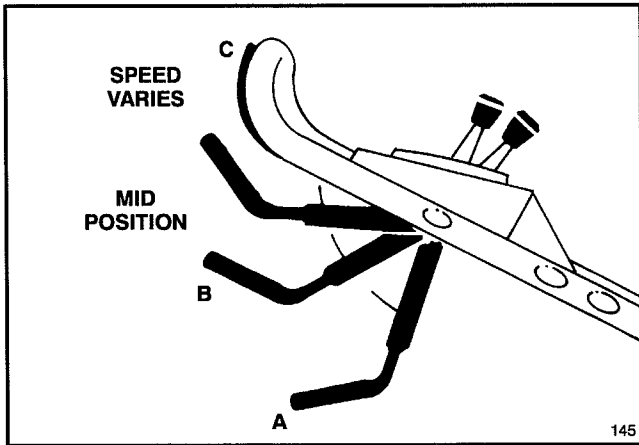



Figure 9

Note: The drive wheels are equipped with freewheeling clutches which enable the mower to be pulled rearward easier when the wheel drive is disengaged. To disengage the clutches, mower must be pushed forward at least 2.5 cm (1") after wheel drive operation has stopped.

5. **STOPPING** (Fig. 9)—Release control bar to stop blade and traction drive. Move ground speed control to "N". To stop engine, move throttle to  (OFF). Pull wire off spark plug if mower will be unattended or not used.

USING GRASS BAG

1. Stop engine and wait for all moving parts to stop.
2. **INSTALLING BAG**—Raise discharge door, slide bag ramp attached to bag into discharge opening, and hook bag frame onto mounting bracket (Fig. 10). Allow discharge door to rest on top of bag (Fig. 11).

Note: Make sure grass bag door is **fully** closed against grass bag before installing bag on mower.

3. **REMOVING BAG**—**Stop engine and wait for all moving parts to stop.** For protection, always keep hands and feet away from mower housing while engine is running. Raise discharge door. While holding discharge door up, grasp handle on grass bag and lift bag off mower. Allow discharge door to close.

Note: When removing the grass bag, the bag ramp scoops out any clippings that may be plugging the discharge opening. If the discharge opening remains plugged, pull wire off spark plug and clear all clippings from the mower.

4. **EMPTYING BAG**—Grasp bag handle and rear of grass bag. Tip bag door up and gradually tip bag forward to empty clippings.

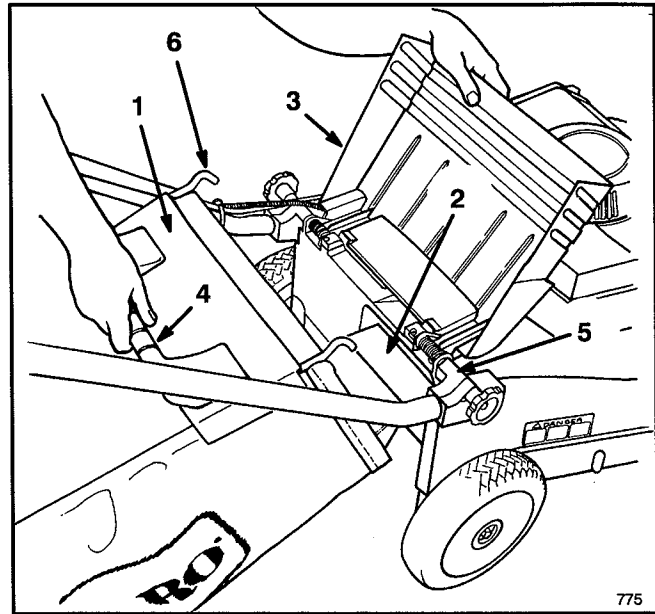


Figure 10

- | | |
|-------------------|---------------------|
| 1. Bag door | 4. Bag handle |
| 2. Bag ramp | 5. Mounting bracket |
| 3. Discharge door | 6. Bag frame hook |

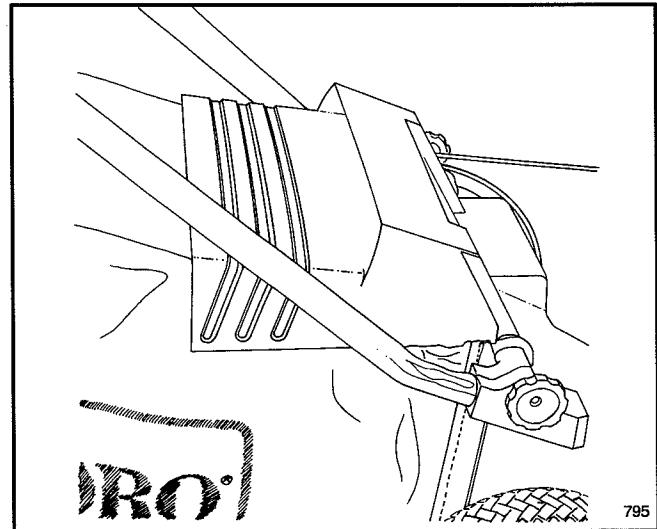


Figure 11



DANGER

- Grass clippings and other objects can be thrown from an open discharge tunnel.
- Objects thrown with enough force could cause serious personal injury or death to operator or bystander.
- Never open door on discharge tunnel when engine is running unless the grass bag is securely installed.

OPERATING INSTRUCTIONS

DANGER

- A worn grass bag could allow small stones and other similar debris to be thrown in operator's or bystander's direction.
- Thrown objects can cause serious personal injury or death to operator or bystanders.
- Check the grass bag frequently. If it is damaged, install a new genuine TORO replacement bag.

ADJUSTING HEIGHT-OF-CUT

Three numbers cast into the housing represent the height-of-cut settings. The diamond between each number represents a 13 mm (1/2") increment.

1. Stop the engine and wait for all moving parts to stop. Pull wire off spark plug.

DANGER

- Adjusting height-of-cut levers could bring hands into contact with moving blade.
- Contact with blade could cause serious personal injury.
- Do not adjust the height-of-cut settings when engine is running and blade is rotating.
- Do not put fingers under housing to lift mower when adjusting height-of-cut levers.

2. For easier adjustment, lift housing up so wheel is off ground. **Do not place hands under deck to lift housing.** Squeeze adjusting lever toward wheel and move to desired setting (Fig. 12). Ensure pin on adjusting lever engages notch in housing. Adjust all wheels to the same setting.

Note: Front wheels can be adjusted to 13 mm (1/2"). Move adjusting lever past "1" and release pin into notch in housing.

3. In conditions when maximum power is required or when cutting in spongy thatch that causes rear wheels to sink in turf, raise rear wheel setting one increment higher. Make sure wheel settings are returned to equal settings, when cutting in normal conditions, to achieve the best quality of cut.

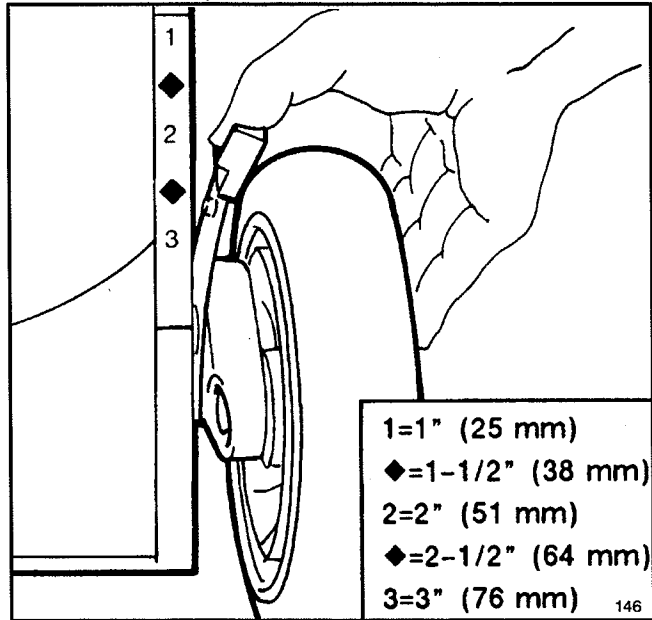


Figure 12

CHECK CONTROL BAR OPERATION

Check the control bar before each use to ensure the Blade Brake Clutch (BBC) system is operating properly.

Both tests should be conducted with the bag securely latched in place and the ground speed control in the neutral position.

A. Normal Control Bar Operation Test

1. Place the bag on the mower and start the mower's engine.
2. Push the control bar down to its lowest position (Fig. 13, position B).

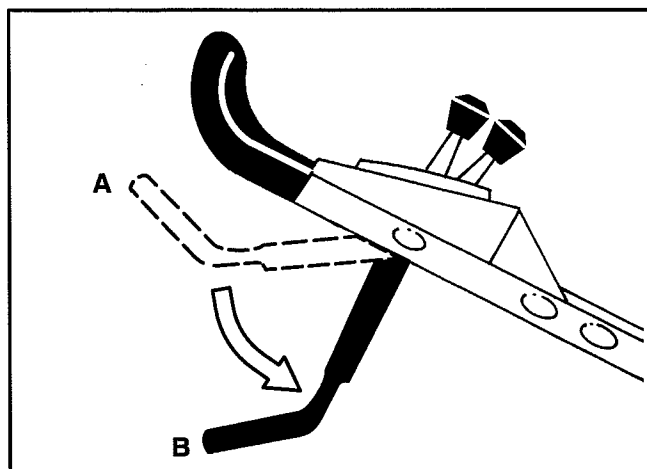


Figure 13

OPERATING INSTRUCTIONS

3. Lift the control bar to the normal "blade engaged" position (about 1" below the handle cross bar) (Fig. 14, position C). The "fan" noise and inflation of the bag indicate that the mower blade is turning.

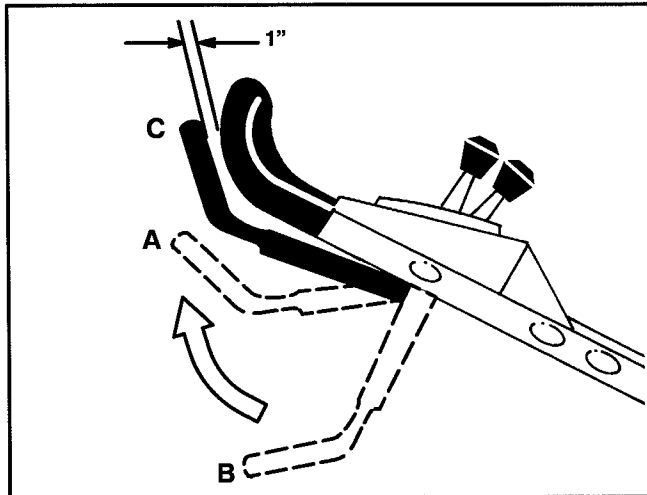


Figure 14

4. Release the control bar (Fig. 14, position A). A "bang" should be heard, the bag should deflate, and the blade should stop within 3 seconds. If the blade does not stop within 3 seconds when the control bar is released in this operational mode, stop using the mower and do not use it until you have it serviced by an Authorized TORO Service Dealer.

If your unit stops within the required 3 seconds, the BBC system is operating properly and needs no immediate attention. However, to detect BBC system deterioration **before** it affects normal operation, we also ask you to perform special Control Bar Test B which follows.

B. Special Control Bar Test

1. The engine should be running from the previous test. If not, start the mower's engine.
2. Push the control bar down to its lowest position (Fig. 15).
3. Slowly lift the control bar to a point where the bag just begins to inflate (about 5 inches below the handle cross bar) (Fig. 16). This indicates that the mower blade is engaged and has begun to rotate.

Note: This intermediate position is not the "natural" operating position of the control bar. However, it has proven to be useful in early detection of BBC sticking which could create an unsafe condition later in the life of the mower.

4. Release the control bar (Fig. 17).

Note: IF A BANG IS HEARD AND THE BAG IMMEDIATELY DEFLATES, THE CONTROL BAR HAS BEEN RAISED TOO HIGH. REPEAT STEPS 2, 3 AND 4, BUT DO NOT RAISE THE HANDLE AS HIGH AS IN STEP 3.

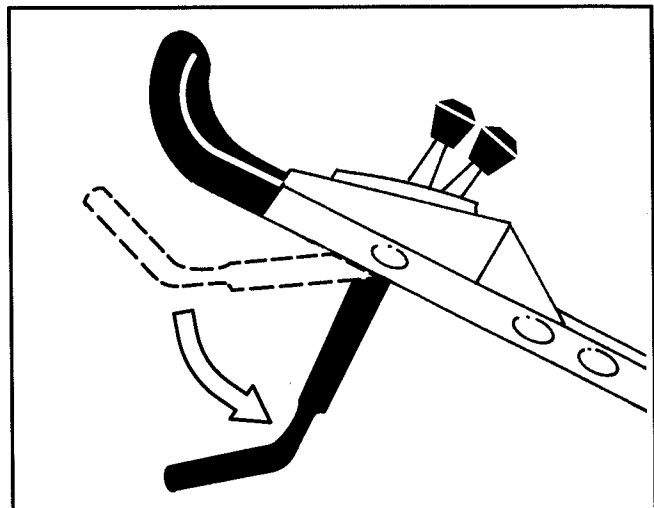


Figure 15

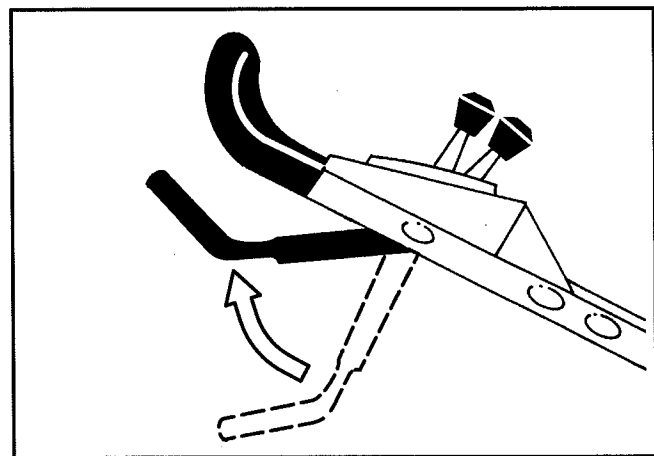


Figure 16

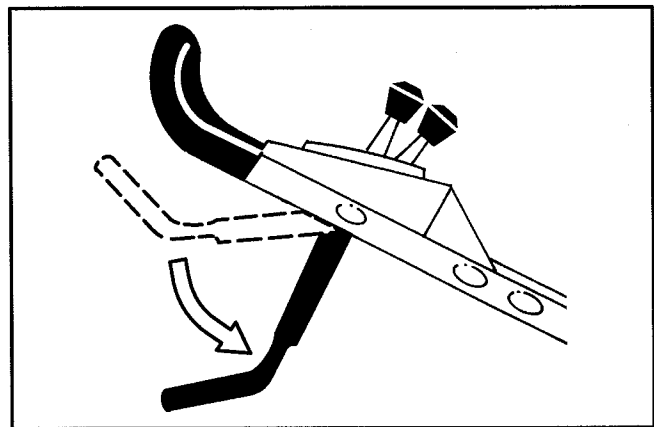


Figure 17

IF THE CONTROL BAR RETURNS TO THE LOWEST POSITION, AND THE BAG QUICKLY DEFLATES WHEN THE CONTROL BAR IS RELEASED, THE UNIT IS OPERATING PROPERLY.

OPERATING INSTRUCTIONS

If the control bar does not fall or the blade does not quickly stop, it indicates the system could be experiencing wear/deterioration which could result in an unsafe operating condition. Use care in operating the mower and BBC system and contact an Authorized TORO Service Dealer for an inspection of your mower at your earliest convenience. Your dealer will ensure that appropriate corrective measures are performed, and your mower restored to proper operating condition.



DANGER

- If Blade Brake Clutch system is inoperative, blade will continue to rotate when control bar is released. Contact with blade could occur.
- Blade contact can cause serious personal injury or death.
- Never use a BBC equipped power mower with an inoperative safety system.
- Return your lawn mower to your dealer for repair if a safety system fails to operate properly.

SPECIAL NOTE: Whenever performing operations such as cleaning the mower, first stop the engine and disconnect the spark plug wire. As with any lawn mower, regardless of the safety features and blade stopping devices used, operators should keep all body parts away from the cutting blade area whenever the mower's engine is running, and keep bystanders away as well.

Should you require further information or assistance, feel free to contact us at:

The Toro Company
Attn: Consumer Service Department
8111 Lyndale Avenue South
Bloomington, MN 55420-1196
(612) 887-8255

MAINTENANCE



CAUTION

- Engine could start accidentally.
- Accidental starting of engine could cause serious injury to operator or bystanders.
- Pull wire off spark plug before performing any maintenance or adjustments.

SERVICING AIR CLEANER

Normally, clean air cleaner after every 25 operating hours. More frequent cleaning is required when mower is operated in dusty or dirty conditions.

1. Stop engine and pull wire off spark plug.
2. Rotate knob securing air cleaner cover to engine until cover can be removed. Clean cover thoroughly (Fig. 18).
3. If the foam element is dirty, remove it from air cleaner body (Fig. 18). Clean thoroughly.
 - A. WASH foam element in a solution of liquid soap and warm water. Squeeze to remove dirt, but do not twist because foam may tear. Rinse thoroughly in clear water.
 - B. DRY by wrapping in a clean rag. Squeeze rag and foam element to dry.

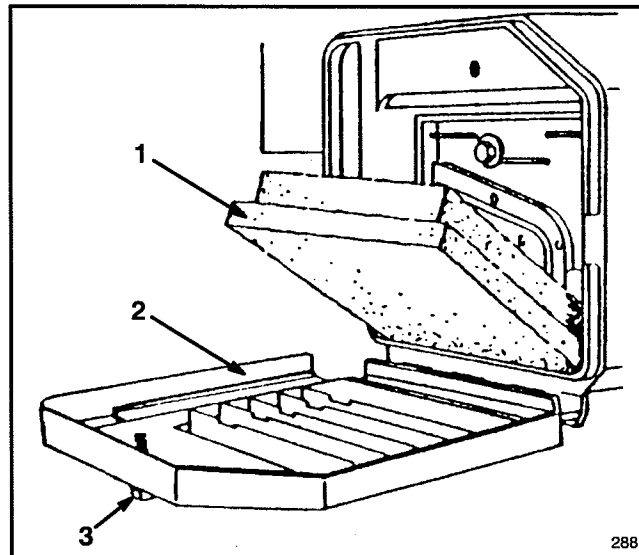


Figure 18

1. Foam element 2. Cover 3. Knob

C. SATURATE element with SAE 30 or 10W30 engine oil. Squeeze element to remove excess oil and to distribute oil thoroughly. A damp element is desirable.

4. Reinstall foam element and air cleaner cover.

IMPORTANT: Do not operate engine without air cleaner element otherwise extreme engine wear and damage will likely result.

MAINTENANCE

REPLACING SPARK PLUG

Use a CHAMPION RC12YC spark plug or equivalent. Correct air gap is 0.76 mm (0.030"). Remove plug after every 25 operating hours and check its condition.

1. Stop engine and wait for it to cool. Pull wire off spark plug.
2. Clean around spark plug and remove plug from cylinder head.

IMPORTANT: Replace a cracked, fouled, or dirty spark plug. Do not sand blast, scrape, or clean electrodes because engine damage could result from grit entering cylinder.

3. Set air gap at 0.76 mm (0.030") (Fig. 19). Install correctly gapped spark plug and gasket seal. Tighten plug firmly to 19 N·m (14 ft–lb).

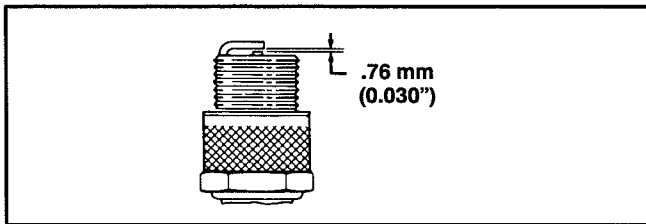


Figure 19

DRAINING GASOLINE

1. Stop engine and wait for engine to cool. Pull wire off spark plug.

Note: Drain gasoline from a cold engine only.

2. Remove cap from fuel tank and use pump–type siphon to drain fuel into clean gas can.

Note: This is the only procedure recommended for draining fuel.

CHANGING CRANKCASE OIL

Change oil after the first 2 operating hours and after every 25 hours thereafter. Since warm oil drains better and carries more contaminants than cold, run engine for several minutes before draining oil.

1. Stop engine and pull wire off spark plug.
2. Lift discharge door and remove grass bag. Drain gasoline from fuel tank: refer to Draining Gasoline, page 13.
3. Remove dipstick from oil fill tube and place a drain pan next to left side of mower.
4. Tip mower on its left side, allowing oil to drain into drain pan (Fig. 20).
5. When oil is drained, return mower to upright position and add fresh oil to engine. Refer to Fill Crankcase With Oil, page 7.

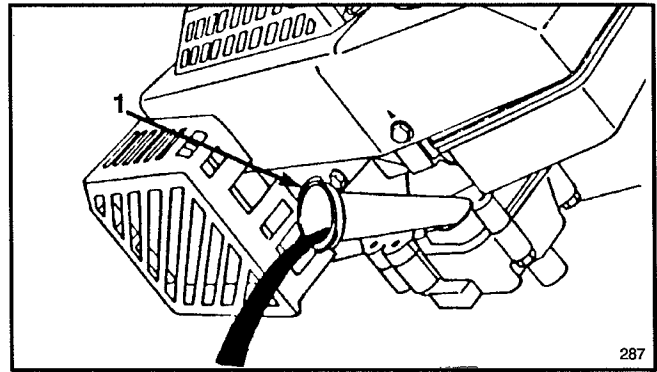



Figure 20

1. Oil fill tube

ADJUSTING THROTTLE

Throttle control adjustment may be required if engine does not start or stop. Whenever a new throttle control cable is installed, the throttle must be adjusted.

1. Stop engine and pull wire off spark plug.
2. Move throttle control to  (FAST) position.
3. Loosen cable clamp screw until throttle cable slides (Fig. 21).
4. Move throttle cable left or right until holes in throttle lever and throttle bracket align (Fig. 21).
5. Pull throttle cable slightly to remove any slack and tighten cable clamp screw to lock adjustment in place.

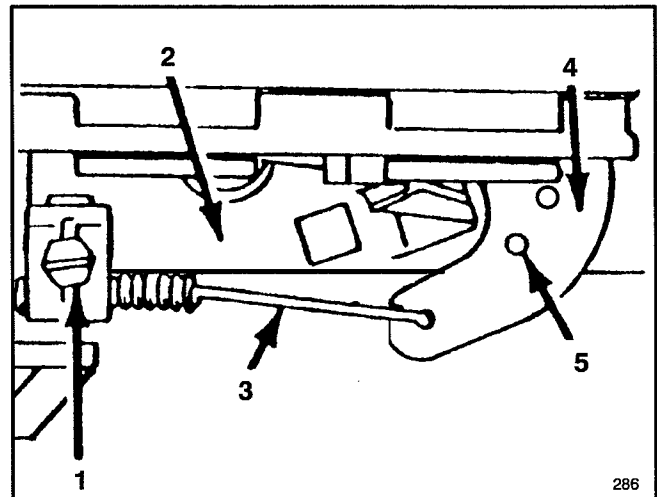


Figure 21

1. Cable clamp screw
2. Throttle bracket
3. Throttle cable
4. Throttle lever
5. Aligned holes

ADJUSTING WHEEL DRIVE

If mower does not self-propel or has a tendency to creep forward when drive is not engaged, an adjustment to the wheel traction control cable is necessary.

1. Stop engine and pull wire off spark plug.

MAINTENANCE

2. Loosen nut on support block (Fig. 22).

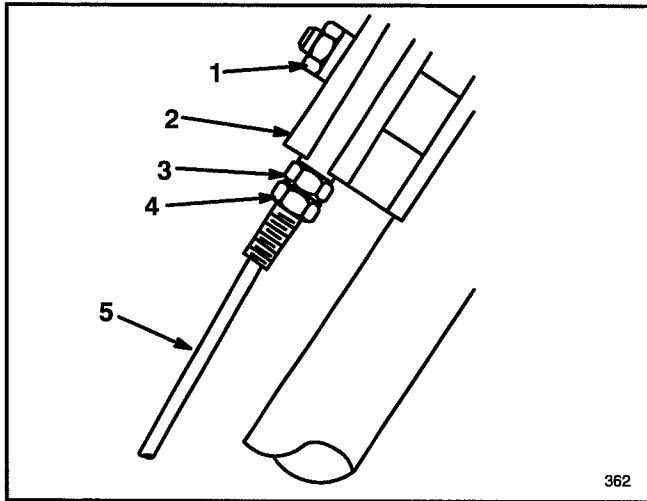


Figure 22

- | | |
|------------------|-------------------------|
| 1. Nut | 4. Bottom jam nut |
| 2. Support block | 5. Wheel traction cable |
| 3. Top jam nut | |

3. Loosen bottom jam nut on wheel traction cable (Fig. 22).

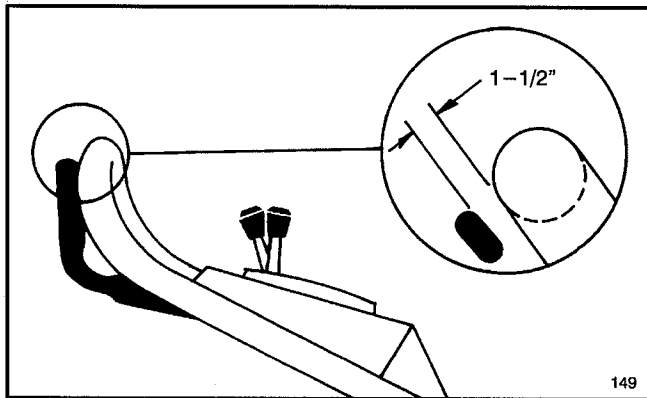


Figure 23

4. Lift control bar until some resistance is felt. Control bar should be 1 1/2" from handle when properly adjusted (Fig. 23).

5. Move the top jam nut up to increase the clearance between the control bar and handle. Move top jam nut down to decrease the clearance between the control bar and the handle.

6. Repeat steps 4 and 5 until properly adjusted.
7. Tighten bottom jam nut to lock the adjustment.

8. Top jam nut should be against support block when adjustment is complete (Fig. 22).

9. Tighten nut on support block.

INSPECTING/REMOVING/SHARPENING BLADE

1. Stop engine and pull wire off spark plug.

2. Drain gasoline from fuel tank; refer to Draining Gasoline, page 13.

3. Tip mower on its left side. Avoid rotating blade as starting problems may result.

4. **INSPECTING BLADE**—Carefully examine blade for sharpness and wear, especially where flat and curved parts meet (Fig. 24A). Since sand and abrasive material can wear away the metal that connects the flat and curved parts of the blade, check blade before using the mower. If a slot or wear is noticed, (Fig. 24B & C), replace blade with a new TORO blade. Refer to step 5.

Note: For optimum performance, install a new TORO blade before cutting season begins. During the year, file down small nicks to maintain the cutting edge.

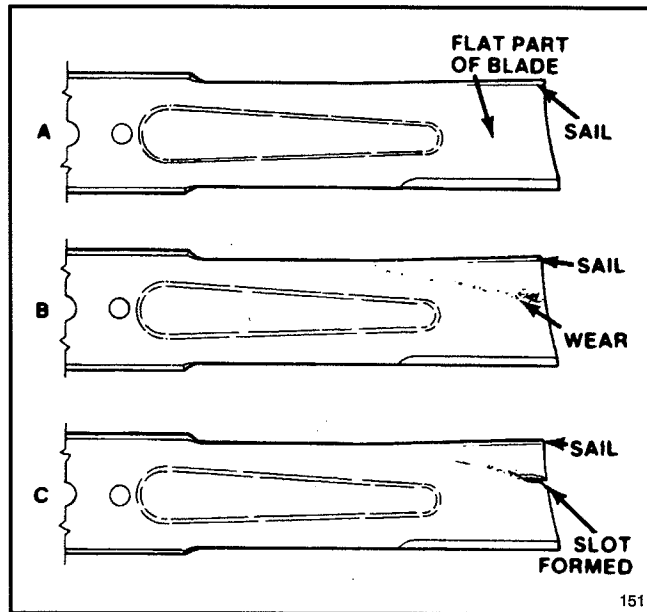


Figure 24

5. **REMOVING BLADE**—Grasp end of blade using a rag or thickly padded glove. Remove blade nuts, anti-scalp cup, blade, blade spacer and rotating screen (Fig. 25).

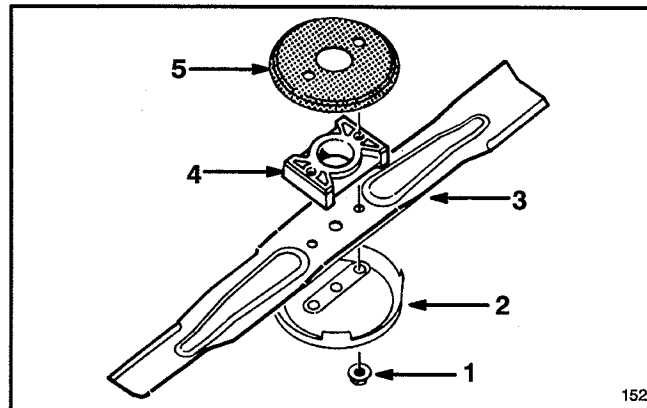


Figure 25

- | | |
|-------------------|--------------------|
| 1. Blade nut | 4. Blade spacer |
| 2. Anti-scalp cup | 5. Rotating screen |
| 3. Blade | |

MAINTENANCE



DANGER

- A worn or damaged blade could break and a piece of blade could be thrown into operator's or bystander's area.
- A thrown piece of blade could cause serious personal injury or death to operator or bystanders.
- Inspect blade periodically for wear or damage.
- Replace a worn or damaged blade.

6. **SHARPENING BLADE**—Using a file, sharpen top side of blade and maintain original cutting angle (Fig. 26). The blade remains balanced if the same amount of material is removed from both cutting edges.

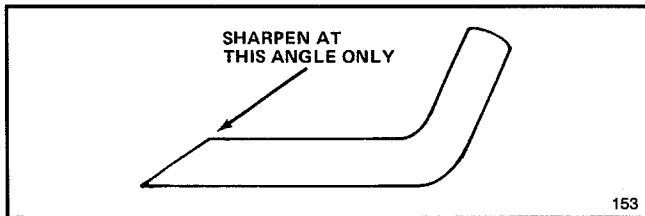


Figure 26

IMPORTANT: Check balance of blade by putting it on a blade balancer. An inexpensive balancer can be purchased at a hardware store. A balanced blade stays in a horizontal position and an unbalanced blade settles to the heavy side. If blade is not balanced, file more metal off cutting edge on heavy end of blade.

7. Install rotating screen (outside flange pointing away from housing), blade spacer, sharp, balanced blade and anti-scalp cup with blade nuts. Sail part of blade must point toward housing to ensure correct installation. Tighten the blade nuts to 20–37 N·m (15–27 ft-lb).

LUBRICATION

After every 25 operating hours or when season ends, front and rear wheels must be lubricated.

1. Apply two or three drops of light oil on inside and outside of all wheel bolts. Spin wheels to distribute oil into bushings. Wipe up excess oil.
2. Move rear wheel height-of-cut levers to "2" setting. Wipe grease fittings with clean rag (Fig. 27). Install grease gun onto fitting and gently apply two or three pumps of #2 Multi-Purpose Lithium Base Grease.

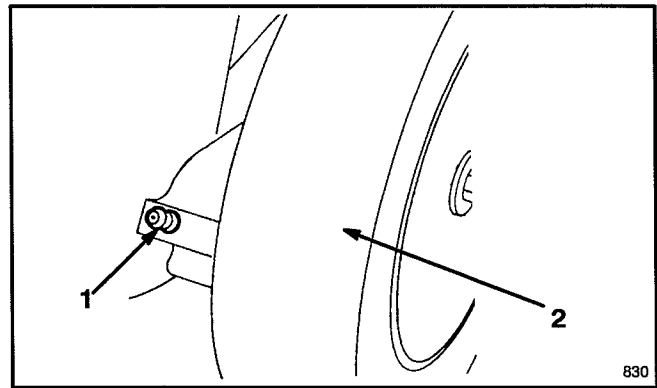


Figure 27

1. Grease fitting

2. Rear wheel

ADJUSTING BLADE BRAKE

Blade brake adjustment may be necessary if the quality of cut deteriorates, the bagging ability degrades, or the engine rpm is audibly faster than the blade rpm when cutting grass.

1. Stop engine and pull wire off spark plug.
2. Remove (2) screws securing screen panel to top of mower housing (Fig. 28). Remove panel.

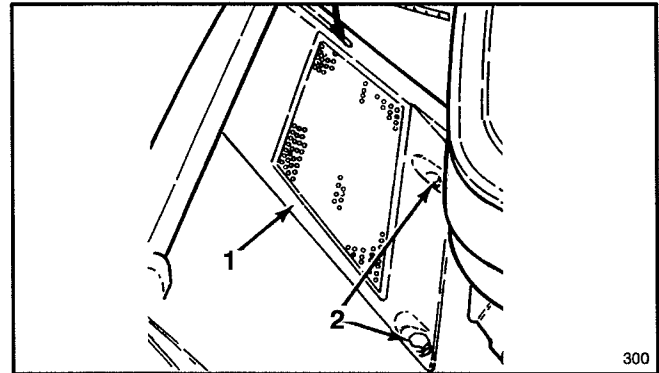


Figure 28

1. Screen panel

2. Screws

3. Move control bar down and lift up against handle. With control bar against handle, measure the spring length (L) at the front of the spring as shown in Figure 29.

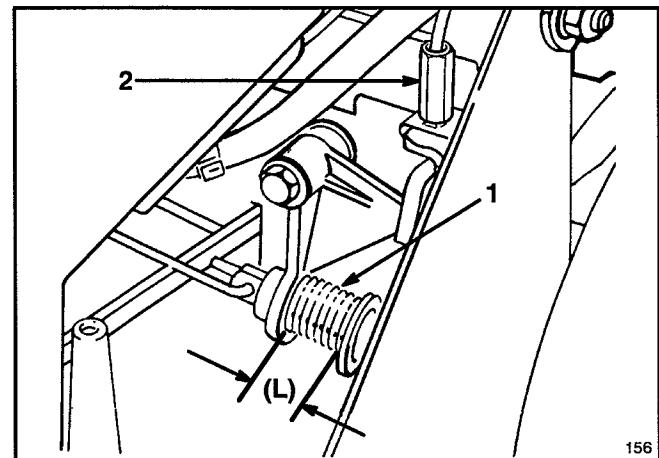


Figure 29

1. Spring

2. Plastic fitting

MAINTENANCE

4. If spring dimension is greater than 32 mm (1 1/4") or less than 25 mm (1"), an adjustment is needed.

5. To adjust, rotate plastic fitting on blade brake cable (Fig. 29) until spring dimension is as near as possible to but not less than 25 mm (1"). (See following note.)

Note: If the spring cannot be adjusted to less than 32 mm (1 1/4") before the end of the plastic fitting is reached, the clutch belt is worn out and should be replaced. After replacing belt, adjust cable as explained in the above procedure.

6. Reinstall screen panel.

CLEANING BLADE BRAKE CLUTCH SHIELDS

The BBC (Blade Brake Clutch) shield and the area behind the panel screen should be cleaned periodically, at the end of each mowing season at minimum, to ensure best performance and to prevent parts degradation.

CLEAN BEHIND PANEL SCREEN

1. Stop engine and pull wire off spark plug.
2. Remove two 13 mm (1/2") self-tapping screws securing panel screen to mower deck and remove panel screen (Fig. 30).

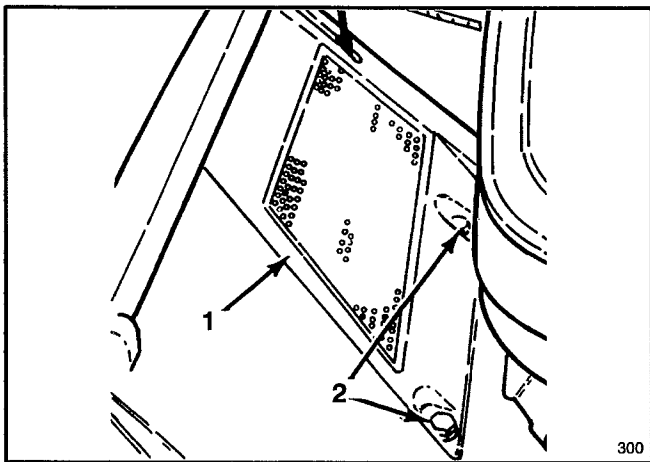


Figure 30

1. Screen panel
2. Screws

3. Remove the vertical panel in front of the transmission by pulling straight up (Fig. 31).

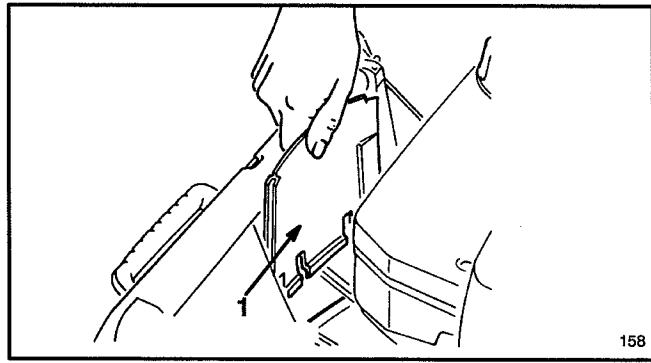


Figure 31

1. Vertical panel

4. Remove any debris that may have accumulated in area behind panel (Fig. 29).

5. Reinstall vertical panel. Secure panel screen to mower deck with two 13 mm (1/2") self-tapping screws.

6. Reinstall spark plug wire.

CLEANING BLADE BRAKE CLUTCH SHIELD

1. Stop engine and pull wire off spark plug.
2. Drain gasoline from fuel tank; refer to Draining Gasoline, page 13.
3. Tip mower on its left side (Fig. 32).
4. Remove two blade nuts, anti-scalp cup, blade, blade spacer, rotating screen, and four bolts securing BBC shield to mower deck (Fig. 32 & 33).

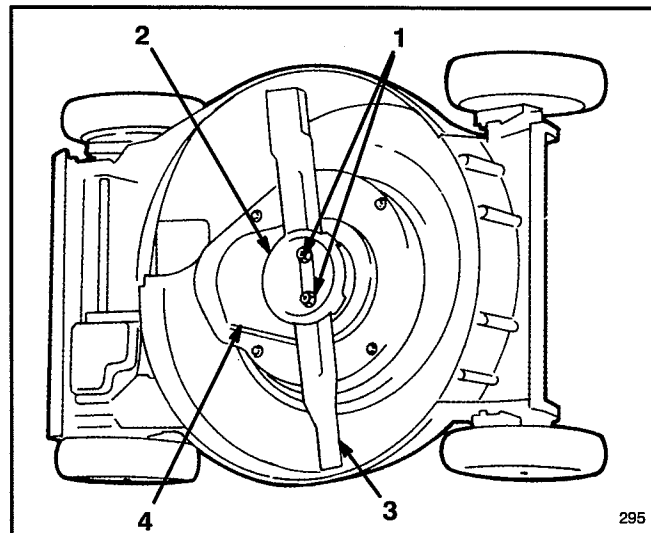


Figure 32

1. Blade nuts
 2. Anti-scalp cup
 3. Blade
 4. BBC shield
5. Brush or scrape debris from inside of shield.

MAINTENANCE

6. Reinstall BBC shield using (4) bolts, rotating screen (outside of flange pointing away from housing), blade spacer, blade, anti-scalp cup, and (2) blade nuts. Sail part of blade must point toward top of mower housing. Tighten blade nuts to 20–37 N·m (15–27 ft–lb).

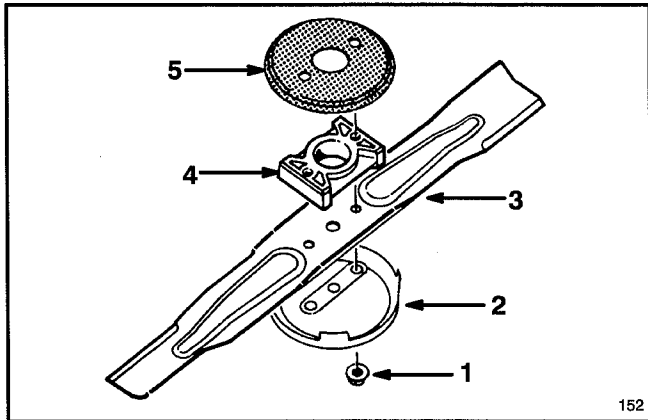


Figure 33

- | | |
|-------------------|--------------------|
| 1. Blade nut | 4. Blade spacer |
| 2. Anti-scalp cup | 5. Rotating screen |
| 3. Blade | |

7. Reinstall spark plug wire.

CLEANING MOWER HOUSING

To ensure best performance, keep underside of mower housing and inside of discharge area clean.

1. Stop engine and pull wire off spark plug.
2. Drain gasoline from fuel tank: refer to Draining Gasoline, page 13.
3. Tip mower on its left side (Fig. 34).

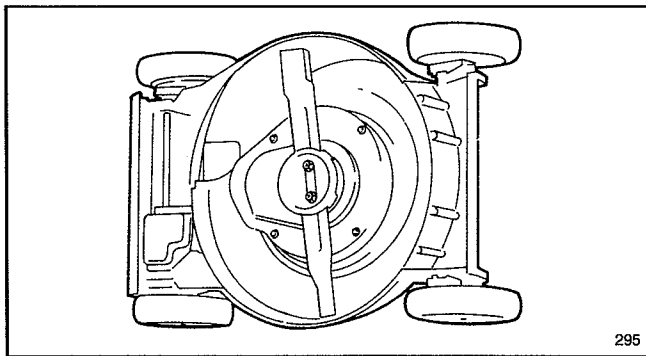


Figure 34

4. Remove dirt and grass clippings that stick to housing by spraying it with a garden hose or by using a hard wood scraper. If a garden hose is used and some debris remains, scrape out remaining debris with a hardwood scraper. Avoid burrs and sharp edges.
5. Turn mower upright.
6. Clean discharge door and hinges of grass or debris that may impair operation of door.

7. Refill engine with gas.

8. If a garden hose was used to clean the housing, start the engine and let it run for a few minutes to dry out any moisture that may have entered it. While the engine is running, engage and disengage the safety system several times to dry it out.

PREPARING MOWER FOR STORAGE

1. For long term storage, it is recommended that gasoline be drained from fuel tank or use a fuel additive before storing. To drain gasoline, refer to Draining Gasoline, page 13. After fuel is drained, start engine and let it idle until all fuel is consumed and engine stops. If gasoline is not drained, gum-like varnish deposits will form and cause poor engine operation or even starting problems.

Fuel can be left in gas tank only if a fuel additive, such as Toro's Stabilizer/Conditioner, is added to gasoline and run through engine before storing. Toro's Stabilizer/Conditioner is a petroleum distillate based conditioner/stabilizer. Toro does not recommend stabilizers with an alcohol base, such as ethanol, methanol or isopropyl. Use fuel additive in recommended quantities as specified on container.

Under normal conditions, fuel additives remain effective in fuel for 6-8 months.

2. Drain oil: refer to Changing Crankcase Oil, page 13. After oil is drained, do not fill crankcase with oil until the following steps (3–10) are completed.

3. Remove spark plug and pour 30 ml (2 table-spoons) of SAE 30 oil into hole in cylinder. Pull starter rope slowly to coat inside of cylinder. Install spark plug and tighten to 20 N·m (15 ft–lb). **DO NOT INSTALL WIRE ON SPARK PLUG.**

4. Clean mower housing; refer to Cleaning Mower Housing, page 17.

5. Check condition of blade; refer to Inspecting/Removing/Sharpening Blade, page 14.

6. Tighten all nuts, bolts, and screws.

7. Clean dirt, chaff, grass clippings, and grime from external parts of the engine, shrouding, and top of mower housing.

8. Clean air cleaner; refer to Servicing Air Cleaner, page 12.

9. Lubricate the wheels; refer to Lubrication, page 15.

10. Touch up all rusted or chipped paint surfaces. Toro Re-Kote paint is available from an Authorized TORO Service Dealer.

11. Fill crankcase with oil; refer to Fill Crankcase With Oil, page 7.

12. Store mower in a clean, dry place. Cover mower to keep it clean and protected.

OPTIONAL EQUIPMENT

For special conditions the following accessories may be purchased at your local authorized TORO Service Dealer.

1. Dethatcher Kit, Model No. 59131—Installs in minutes. Front mounted for easy maneuverability. Spring tines loosen thatch for clean vacuuming into grass bag (Fig. 35) and convenient disposal.

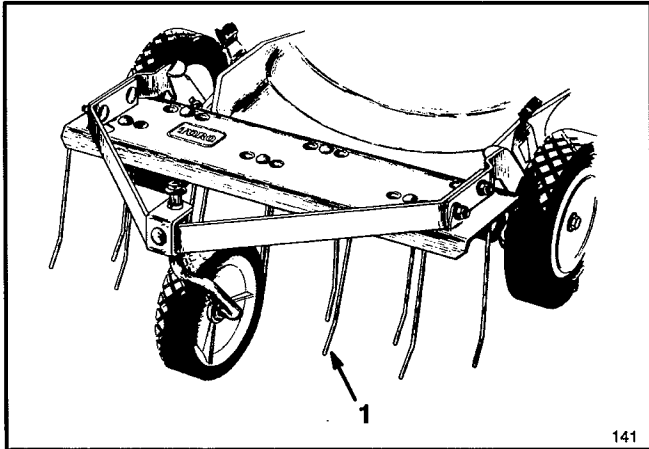


Figure 35

1. Dethatcher attachment

2. Leaf Shredder Kit, Model No. 59180—Installs on underside of mower in minutes without requiring removal of blade. Shreds leaves into small pieces for

clean vacuuming into grass bag and convenient disposal (Fig. 36).

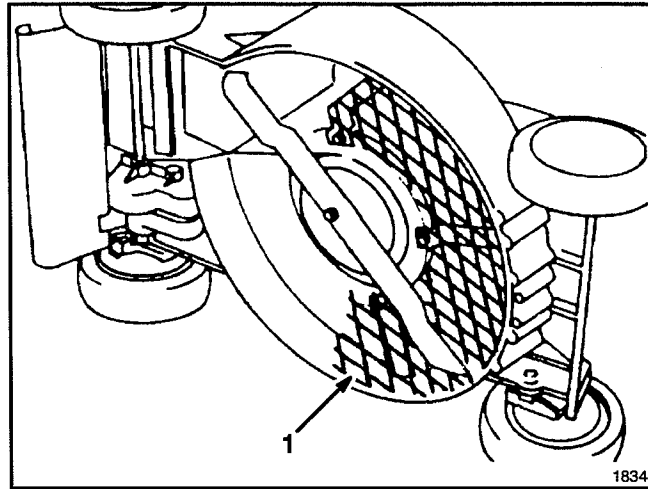


Figure 36

1. Leaf shredder screen

3. Spark Arrestor, Part No. 77-9040 and Mounting Screws 77-9050—If a spark arrestor is required because of local, state or federal regulations, it may be purchased at your local Authorized TORO Service Dealer. If mower is operated on any California forest, brush or grass covered land without a properly operating spark arrestor, the operator is violating state law, Section 4442 Public Resources Code.

PRODUCT IDENTIFICATION

A model and a serial number decal is located on top right side of mower housing, near the discharge door. Always refer to specific numbers on this decal in correspondence or when replacement parts are needed.

TORO SERVICE SUPPORT

If help — concerning safety, set-up, operation, maintenance, or troubleshooting — is ever needed, contact the local Authorized TORO Service Dealer or Distributor. In addition to skilled service technicians, the dealer and distributor have factory approved accessories and replacement parts. Keep your Toro all TORO. Buy genuine TORO replacement parts and accessories.

THE TORO STARTING GUARANTEE

A Five Year Limited Warranty On The Toro GTS 150 OHV Engine

What Is Covered?

The Toro Company guarantees that your TORO GTS 150 Engine will start on the first or second pull for five years from the date of purchase—if you provide the routine maintenance it requires—or we will fix it. The cost of parts and labor are included, but you must pay transportation costs. This covers TORO GTS 150 engines purchased after September 1, 1991.

What Must You Do To Keep The Warranty In Effect?

You must maintain your TORO GTS 150 Engine by following the maintenance schedule detailed in the Operator's Manual, at your expense. You must record this work in the maintenance chart provided and keep your proof of purchase. You will also need to have your TORO GTS 150 engine serviced annually by an Authorized TORO Service Dealer.

How Do You Get Service?

If the starting performance of your TORO GTS 150 Engine should diminish to the point where it will not start in one or two pulls by a normal, able-bodied adult, you should follow the procedures below:

1. Contact any Authorized TORO Service Dealer or the TORO Distributor.
2. He will either instruct you to return the product to him or recommend another Authorized TORO Service outlet which might be more convenient.
3. Take the product, your maintenance records, and proof of purchase to the Service Dealer.

If, for any reason, you are dissatisfied with the Dealer's analysis of your engine's starting condition, or the assistance provided, please contact your TORO Distributor.

What Does This Warranty Not Cover?

This Warranty does not cover:

1. Any repairs on products used commercially.
2. Normal maintenance including replacement of spark plugs, air filter, fuel filter, and carburetor adjustments.
3. Oil change and lubrication.
4. Repairs or adjustments due to:
 - a. Failure to follow proper maintenance procedures;
 - b. Rotary mower blade striking an object;
 - c. Contaminants in the fuel system;
 - d. Improper fuel or fuel mixture (consult your Operator's Manual if in doubt);
 - e. Failure to follow the proper storage procedures as specified in the Operator's Manual;
 - f. Operation misuse, neglect or accidents;
 - g. Repairs or attempted repairs by anyone other than an Authorized TORO Service Dealer.
5. Special operational conditions where starting may require more than two pulls, including:
 - a. First time starts after extended period of non-use or seasonal storage;
 - b. Cool temperature starts such as those found in early spring and late autumn may require an additional pull or two (applies to rotary products only);
 - c. Improper starting procedures. If you are having difficulty starting your unit, please check the Operator's Manual to ensure you are using the correct starting procedures. This can save an unnecessary visit to a Service Dealer.

All warranty repairs reimbursable under this warranty must be performed by an Authorized TORO Service Dealer using Toro approved replacement parts.

The above remedy through repair by an Authorized TORO Service Dealer is the purchaser's sole remedy.

GUARANTEED TO START MAINTENANCE RECORD

To keep the starting guarantee in effect, you must perform the following maintenance after every 25 operating hours, more often in dusty and dirty conditions. Follow the procedures in this Operator's Manual and record information on this chart.

Date	Hours Used	Service Air Cleaner	Change Oil Doesn't apply to 2-Cycle	Lubricate Wheels	Check Spark Plug	Mower Storage