

Material No:	111-9782	Rev:	A	Release/Change Authorization Number :	5113091
Description:	PARTS LIST MOTIF 48 [438:EN]			Issue Date :	29/03/16
<h1>HAYTER</h1> <p>General Document</p>	Supersedes :				
	Superseded By :				
	Created By :				TH
	Scale :				NONE
<small>THIS UNPUBLISHED DOCUMENT CONTAINS HAYTER CONFIDENTIAL AND PROPRIETARY INFORMATION. IT MAY NOT BE WHOLLY OR PARTIALLY COPIED, DISCLOSED TO OTHERS, OR USED FOR ANY PURPOSE WITHOUT WRITTEN PERMISSION FROM HAYTER. IF PUBLICATION OCCURS, THE FOLLOWING NOTICE APPLIES: "© HAYTER ALL RIGHTS RESERVED".</small>					
Reason for Revision:	RELEASE TO PRODUCTION				

CONFIDENTIAL

Motif 48 - Spare Parts List

Hayter Ltd. Spellbrook, Bishop's Stortford, Herts, England. CM23 4BU
Tel: +44 (0)1279 723444 Fax: +44 (0)1279 723821

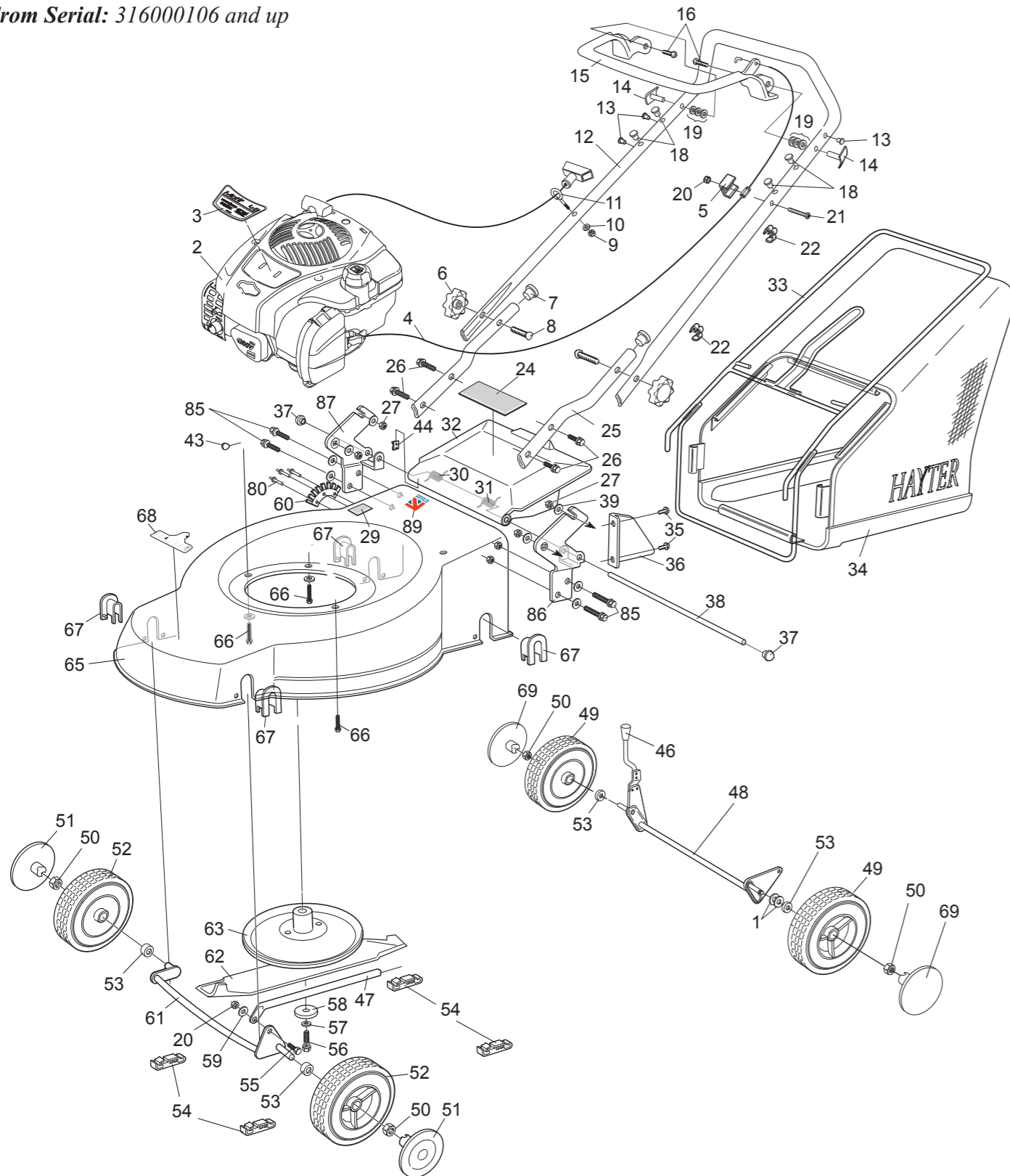
Original Version: EN

Issue : 11/03/16

Codes: 438H

From Serial: 316000106 and up

Upper Mainframe



Upper Mainframe

Item No	Description	Part No.	QTY	Item Note
1	WASHER PLAIN	HY09485	2	
2	ENGINE - BRIGGS & STRATTON, 600EX	111-7310	1	
3	DECAL ENGINE CODES 438H	111-7371	1	
4	CABLE ENGINE BRAKE	111-3342	1	
5	FITTING HANDLEBAR	411035	1	
6	KNOB M8 HANDLEBAR	480088	2	
7	PLUG TUBE 7/8 x 16g E	300160	2	
8	BOLT HANDLEBAR M8 x 45	HY226024	2	
9	NUT M6 NYLOC P TYPE GD 8	09544	1	
10	WASHER PLAIN M6 x 12 x 1.6	09472	1	
11	GUIDE ROPE	305093	1	
12	UPPER HANDLEBAR	305145W	1	
13	FASTENER DRIVE 6.5	341033	3	
14	PIN PIVOT	340182	2	
15	LEVER ENGINE	340179	1	
16	SCREW DIA 6 x 20 PT PAN FLANGE	09687	2	
18	FASTENER DRIVE	300144	4	
19	WASHER NYLON 19 x 11 x 1.6	09688	6	
20	NUT M6 NYLOC T TYPE	09438	4	
21	BOLT M6 x 40	ZBH1F040U	1	
22	GUIDE CABLE	410037	2	
24	DECAL - SAFETY PETROL	111-0083	1	
25	HANDLEBAR LOWER	432001W	2	
26	SETSCREW M8 x 20	09368	4	
27	NUT M8 NYL INSERT T TYPE	09441	4	
29	LABEL HEIGHT OF CUT	320006	1	
30	SPRING TORSION REAR DEFL. RH	111-7655	1	
31	SPRING TORSION REAR DEFL. LH	111-7656	1	
32	REAR DEFLECTOR 48	111-7653	1	
33	FRAME GRASSBAG 48/53	433010W	1	
34	FABRIC GRASSBAG	433003	1	
35	SCREW PAN HEAD M5 x 12 TAPTITE	10-11-029	2	
36	PLATE DISCHARGE	432021W	1	
37	STARLUX END CAP 6MM	111-7657	2	
38	DEFLECTOR PIN 6 x 385	433007	1	
39	WASHER PLAIN 5/16 X1 X 16g	09270	4	
43	KEY WOODRUFF 3/16 x 5/8	1662	1	
44	CLIP BELT COVER	111-7654	1	
46	KNOB HOC-GRIFF	111-7682	1	
47	CONNECTING ROD 48 PUSH	111-7492-03	1	
48	AXLE REAR 48 PUSH W/A	111-7504-03	1	
49	WHEEL REAR 200 WAFFEL	111-7662	2	
50	M12 NYLOC EXTRA THIN	111-7664	4	
51	TRIM WHEEL 180 BLACK	111-7665	2	
52	WHEEL FRONT 180 WAFFEL	111-7661	2	
53	AXLE SPACER	111-7659	4	
54	AXLE RETAINER	111-7681	4	
55	M6 x 6 SHOULDER SCREW	111-7678	2	
56	BOLT UNF	09118	1	
57	WASHER SPRING 3/8 SC	09273	1	

Motif 48 - Spare Parts List

Upper Mainframe

Item No	Description	Part No.	QTY	Item Note
58	SPACER DISTANCE CUTTERBAR	HY4014	1	
59	WASHER M6	111-7679	2	
60	PLATE RATCHET HOC	111-9725-03	1	
61	AXLE FRONT 48 W/A	433014W	1	
62	CUTTERBAR 19 INCHES	111-5013	1	
63	FRICTION DISC W/A	397042W	1	
65	DECK (GREEN)	111-0962-08	1	
66	SCREW TAPTITE UNC 3/8 X 1 1/4	09349	3	
67	AXLE SUPPORT	111-7680	4	
68	DECAL HAYTER	410087	1	
69	TRIM WHEEL 200 BLACK	111-7666	2	
80	RIVET POP .187DIA	MU710259	3	
85	SCREW TAPTITE M10 x 25 HEX W.HD	111-6759	4	
86	BRACKET HANDLEBAR LH	111-0964-03	1	
87	BRACKET HANDLEBAR RH	111-0965-03	1	
89	DECAL - MADE IN BRITAIN	111-7722	1	