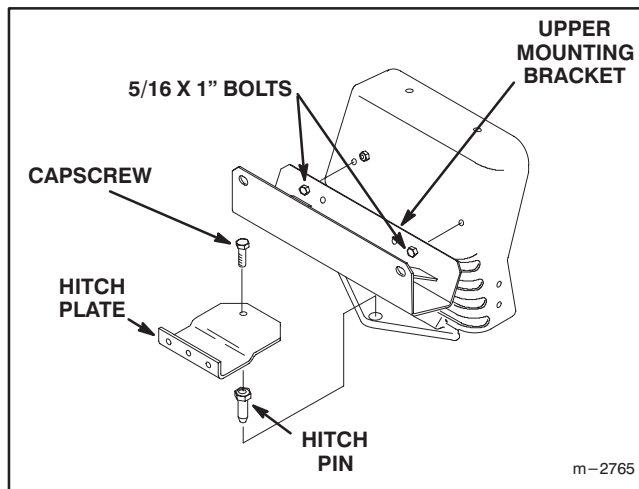


EASY-EMPTY GRASS CATCHER

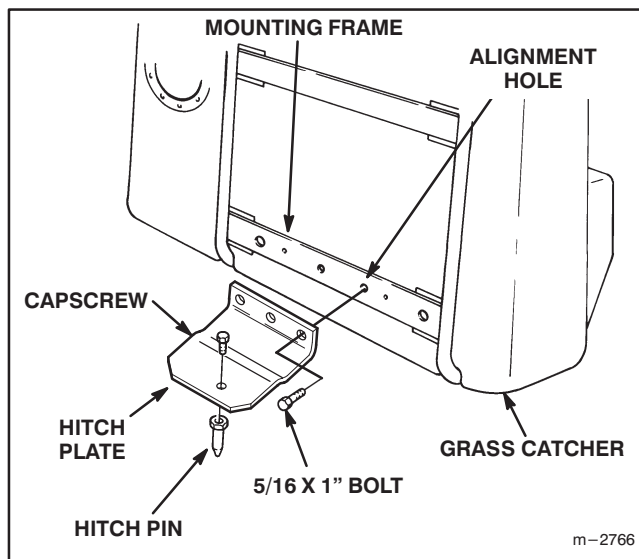
FOR LAWN TRACTORS EQUIPPED WITH 38" SIDE DISCHARGE MOWER DECKS

MODEL NO. 79117**INSTALLATION
INSTRUCTIONS****SET-UP INSTRUCTIONS**

These units require the installation of an upper mounting bracket, hitch plate and hitch pin (Fig. 1) before attaching the grass catcher.

**Figure 1**

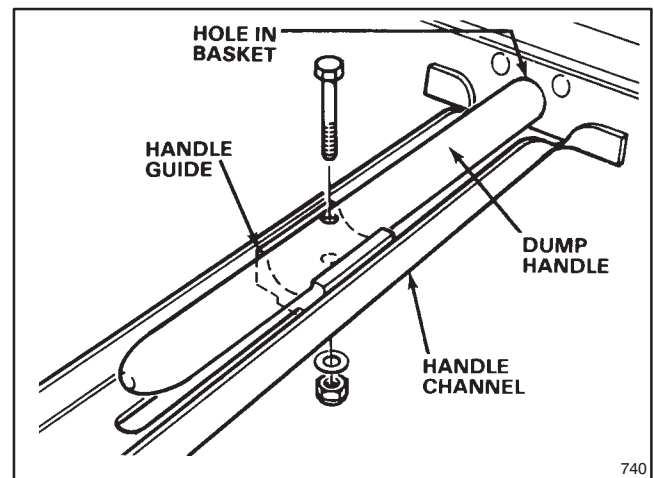
1. Attach upper mounting bracket outer holes to rear of tractor using (2) 5/16 x 1" bolts and locknuts supplied (Fig. 1).
2. Align holes in hitch plate tab with hole in mounting frame as shown in Figure 2.

**Figure 2**

3. Bolt the hitch plate to the mounting frame using (2) 5/16 x 1" bolts and locknuts supplied (Fig. 2).
4. Secure hitch pin to hitch plate in hole shown in Figure 2 with a 5/16 x 5/8" capscrew.

ASSEMBLE AND INSTALL GRASS BASKET

1. Open grass basket and slide dump handle through hole in top of basket and into handle channel (Fig. 3). Make sure handle grip points toward front of grass basket.

**Figure 3**

2. Lift up on end of dump handle allowing handle guide to be positioned onto handle and into channel (Fig. 3). Align hole in guide with hole in dump handle. Secure handle guide and dump handle to channel with a 1/4 x 2" cap screw, flat washer and locknut. Dump handle and guide must slide freely in handle channel.
3. Pull dump handle out until it stops; then close grass basket door. Push dump handle down fully until it "bottoms out."

SET UP INSTRUCTIONS

Note: Try to open basket door when handle is pushed in completely. If basket opens, dump handle is not pushed in far enough or basket is not closed tightly.

4. Position hitch bracket spacer or mounting pin into hole in hitch. Rotate grass basket up so mounting pins line up with mounting holes in brackets or stand bars. Push pins through holes and retain with hair pin cotters.

ASSEMBLE AND INSTALL CHUTE ASSEMBLY AND DUCT

1. Lift deflector and slide front of chute into locking position behind pivot post on deck. Insert locking pin (Fig. 4).

2. Hook flexible latch into notched bracket at rear of deck opening (Fig. 4, insert).



Figure 4

Note: Support bracket on duct must hook behind post on mower.

3. Slide the discharge tube into the bagger top. Then push the discharge tube over the discharge chute (Fig. 5). For proper fit, the square hole in the discharge tube fits over the raised tab on the discharge elbow (Fig. 5 inset).

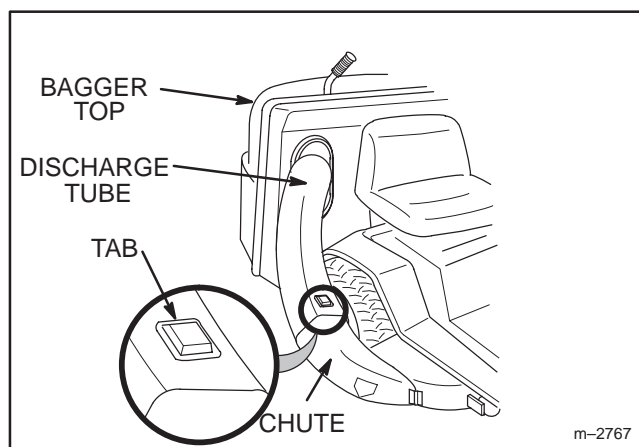


Figure 5

4. Check operation of grass basket by pulling dump handle up and opening basket door. Then close basket door and push dump handle down fully until it “bottoms out.” Make sure grass basket door cannot open when handle is pushed in completely.

OPERATING INSTRUCTIONS

BAGGING CONDITIONS

To assure efficient operation of the EASY EMPTY grass catcher, its operating characteristics must be understood. In addition to cutting turf uniformly, the blade also generates high-velocity air currents. These air currents help propel grass clippings from under the mower housing, through the duct, and into the grass basket. However, certain conditions may decrease the performance of the rear grass catching system.

One condition that may affect the “conveying” of grass clippings from the mower housing to the grass basket is when the mower housing is set too low. Since air is required to propel grass clippings, there must be a source for this air. If the source is obstructed, conveying will be inefficient. Thus, the height-of-cut must not be set too low, because grass

surrounding the mower housing will prevent air from getting under the housing and entering the conveying system.

A second condition that may cause a decrease in performance is when excessively long and heavy grass clippings cannot be propelled into the grass basket. Even though the supply of air may be acceptable for efficient conveying, some grass clippings may fall from the main air stream to the bottom of the duct. This starts a progressive buildup of grass clippings in the duct, discharge chute, and against the inside of the mower housing. The chute and duct may even plug. Therefore, to assure efficient grass collecting, experiment with different heights-of-cut until satisfaction is obtained.

When cutting in dry, dusty conditions, lower throttle speed and shift gear selector to higher gear to maintain ground speed.

OPERATING INSTRUCTIONS

Another condition affecting conveying is moisture. If the turf is wet from watering, morning dew, or its own internal moisture content, bagging performance may decrease. Therefore, to assure efficiency, cut the grass when it is dry. Since dry grass has some moisture content, clippings may stick to the duct, discharge chute, and on the inside of the mower housing. This slight buildup is normal, but the duct, discharge chute, and housing must be cleaned to prevent undesirable buildup of clippings.

A final condition to consider is ground speed. As the engine overloads (slows down) air velocity decreases. Therefore, ground speed of the rider must be slow enough to allow all grass clippings to move continuously from under the housing, through the duct, and into the grass basket.



CAUTION

- **Objects can be thrown by mower if grass deflector or entire grass catcher is not properly secured in place.**
- **Thrown objects can cause serious personal injury or death to operator or bystanders.**
- **Do not operate mower without either the grass deflector or entire grass catcher in place.**

BAGGING TIPS

1. To assure maximum air currents in the system, move throttle to FAST and gear shift to slowest ground speed.
2. Do not collect grass when it is wet or too long. Wet grass can be cut however, with the grass deflector installed. Several hours later, pick up the dry grass clippings with complete grass catcher installed.
3. Cut the grass often, especially when the turf growth is rapid. High heights-of-cut produce good grooming results. If shorter turf is desired, cut the grass again.

4. Overlap swaths to produce an even cutting pattern and to minimize the load on the engine. Make sure grass clippings move continuously through the duct.

5. Empty the grass basket frequently and do not let clippings “back fill” into the duct. To open hopper, shift into NEUTRAL, move deck engagement lever into DISENGAGE position and pull dump handle up; then pull handle forward to dump grass clippings. After dumping clippings, drive forward a few feet, close grass basket and push dump handle down.

6. If grass clippings are not moving through the duct, as indicated by clumps falling on the lawn, there may be an obstruction in the duct or discharge chute. The obstruction can usually be cleared by moving gear shift to neutral, raising mower housing to highest position, and slapping the side of the installed duct. If the obstruction does not pass into the grass bags when duct is slapped, move blade control into DISENGAGE position, rotate ignition key to OFF, and set parking brake. Then remove duct and clear any obstruction from the duct or discharge chute with a stick or similar object. After obstruction is removed, install duct, restart engine and continue grass collecting.

7. After using the EASY-EMPTY grass catcher, remove mulch from inside of hopper cover, duct, discharge chute, and from underside of mower housing. If grass clippings remain on inside of these parts, future clogging may result. Keep the blade sharp to assure good grooming and conveying results.

8. To improve performance change to high sail blades (57-4700) and remove Recycler® baffles and kickers.

WARNING

CHECK ALL COMPONENTS OF GRASS CATCHER, INCLUDING DISCHARGE CHUTE AND DUCT, FOR WEAR, DAMAGE OR DETERIORATION AND REPLACE IF NECESSARY WITH AN ORIGINAL EQUIPMENT REPLACEMENT PART.

92-2511