

Floor Mat Kit

Zero-Turn-Radius Riding Mower

Model No. 126-6501

Model No. 126-6502

Model No. 132-6920

Model No. 132-6921

Installation Instructions

Installation

⚠ WARNING

CALIFORNIA Proposition 65 Warning

This product contains a chemical or chemicals known to the State of California to cause cancer, birth defects, or reproductive harm.

1

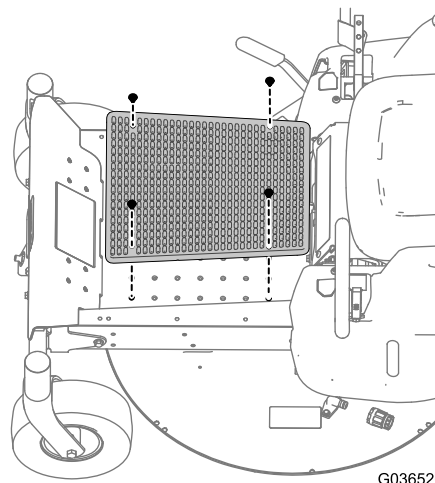
Installing the Floor Mats

Parts needed for this procedure:

1	Floor mat
4	Push dart

Procedure

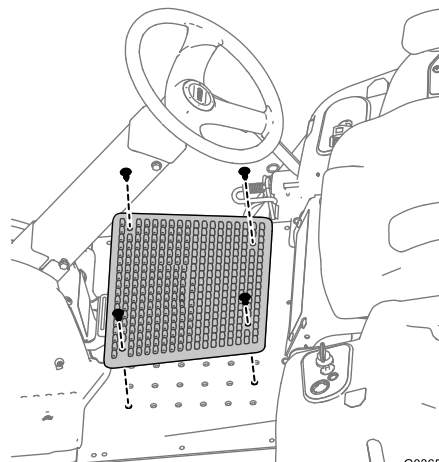
1. Park the machine on a level surface, set the parking brake, shut off the engine, and remove the key from the ignition switch.
2. Install the floor mat as shown in [Figure 1](#) or [Figure 2](#).



G036526

Figure 1

Machine with Motion-Control Levers



G036527

Figure 2

Machine with a Steering Wheel

