



Power Max® 826 OE Snowthrower

Model No. 37772—Serial No. 400010798 and Up

Operator's Manual

Introduction

⚠ WARNING

CALIFORNIA Proposition 65 Warning

This product contains a chemical or chemicals known to the State of California to cause cancer, birth defects, or reproductive harm.

The engine exhaust from this product contains chemicals known to the State of California to cause cancer, birth defects, or other reproductive harm.

This machine is intended to be used by residential homeowners or professional, hired operators. It is designed for removing snow from paved surfaces, such as driveways and sidewalks, and other surfaces for traffic on residential or commercial properties. It is not designed for removing materials other than snow, nor is a model with a pivoting scraper designed for clearing off gravel surfaces.

Read this information carefully to learn how to operate and maintain your machine properly and to avoid injury and machine damage. You are responsible for operating the machine properly and safely.

You may contact Toro directly at www.Toro.com for machine and accessory information, help finding a dealer, or to register your machine.

Whenever you need service, genuine Toro parts, or additional information, contact an Authorized Service Dealer or Toro Customer Service and have the model and serial numbers of your machine ready. [Figure 1](#) identifies the location of the model and serial numbers on the machine. Write the numbers in the space provided.

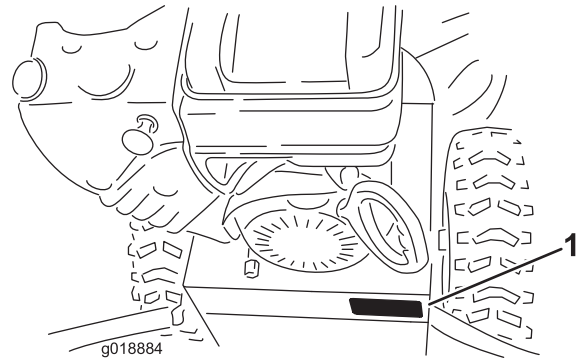


Figure 1

1. Model and serial number location

Model No. _____

Serial No. _____

This manual identifies potential hazards and has safety messages identified by the safety-alert symbol ([Figure 2](#)), which signals a hazard that may cause serious injury or death if you do not follow the recommended precautions.



Figure 2

1. Safety-alert symbol

This manual uses 2 words to highlight information.

Important calls attention to special mechanical information and **Note** emphasizes general information worthy of special attention.

Important: If you are using this machine above 1500 m (5,000 ft) for a continuous period, ensure that the High Altitude Kit has been installed so that the engine meets CARB/EPA emission regulations. The High Altitude Kit increases engine performance while preventing spark-plug fouling, hard starting, and increased emissions. Once you have installed the kit, attach the high-altitude label next to the serial decal on the machine. Contact any Authorized Toro Service Dealer to obtain the proper High Altitude Kit and high-altitude label for your machine. To locate a dealer convenient to you, access our website at www.Toro.com or contact our Toro Customer Care Department at the number(s) listed in your Emission Control Warranty Statement.



Remove the kit from the engine and restore the engine to its original factory configuration when running the engine under 1500 m (5,000 ft). Do not operate an engine that has been converted for high-altitude use at lower altitudes; otherwise, you could overheat and damage the engine.

If you are unsure whether or not your machine has been converted for high-altitude use, look for the following label (Figure 3).

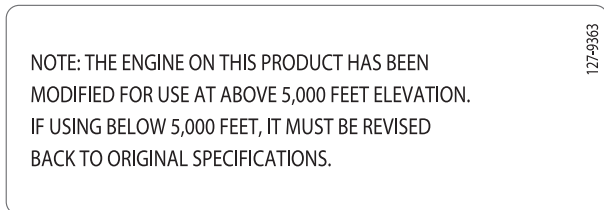


Figure 3

This spark ignition system complies with Canadian ICES-002.

Contents

Introduction	1
Safety	2
Safety and Instructional Decals	3
Setup	5
1 Installing the Upper Handle.....	5
2 Installing the Traction-Control Linkage.....	6
3 Installing the Chute.....	7
4 Installing the Chute-Control Rod	7
5 Checking the Engine-Oil Level	8
6 Checking the Tire Pressure.....	8
7 Checking the Skids and Scraper.....	8
8 Checking the Operation of the Traction Drive	8
Product Overview	10
Operation	10
Before Operation	10
Safety.....	10
Freewheeling or Using the Self-propel Drive.....	10
Filling the Fuel Tank	11
During Operation	11
Safety.....	11
Starting the Engine.....	12
Shutting Off the Engine	13
Operating the Traction Drive	14
Operating the Speed Selector	14
Operating the Auger/Impeller Drive.....	14
Operating the Quick Stick®.....	15
Unclogging the Discharge Chute	15
Operating Tips	16
After Operation	16
Safety.....	16
Preventing Freeze-up after Use.....	16
Maintenance	17

Recommended Maintenance Schedule(s)	17
Maintenance Safety.....	17
Preparing for Maintenance.....	17
Checking the Engine-Oil Level.....	17
Checking and Adjusting the Skids and Scraper.....	18
Checking and Adjusting the Traction Cable	18
Checking and Adjusting the Auger/Impeller Cable	19
Checking the Auger-Gearbox-Oil Level.....	19
Changing the Engine Oil	20
Lubricating the Hex Shaft.....	20
Replacing the Spark Plug	21
Adjusting the Discharge-Chute Latch.....	22
Replacing the Drive Belts.....	22
Storage	22
Preparing the Machine for Storage	22
Removing the Machine from Storage.....	22
Troubleshooting	23

Safety

This machine complies with ANSI B71.3 specifications in effect at the time of production.

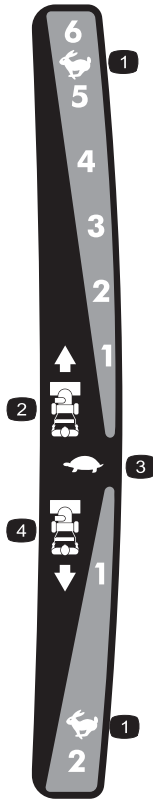
- Read and understand the contents of this *Operator's Manual* before you start the engine. Ensure that everyone using this product knows how to use the product and understands the warnings.
- Do not put your hands or feet near moving components on the machine.
- Do not operate machine without all guards and other safety protective devices in place and working on the machine.
- Keep clear of any discharge opening. Keep bystanders a safe distance away from the machine.
- Keep children out of the operating area. Never allow children to operate the machine.
- Shut off the engine before unclogging, servicing, or fueling the machine.

You can find additional items of safety information in their respective sections throughout this manual.

Safety and Instructional Decals



Safety and instruction decals are located near areas of potential danger. Replace damaged or missing decals.



121-6823

- | | |
|-------------------|-------------------|
| 1. Fast | 3. Slow |
| 2. Forward speeds | 4. Reverse speeds |



121-1239

Order Part No. 121-1215



121-6817

1. Cutting dismemberment, impeller and cutting dismemberment, auger hazards—keep bystanders a safe distance away from the snowthrower.



121-1240

Order Part No. 120-7194

1. Traction drive—squeeze the lever to engage; release the lever to disengage.
2. Warning—read the *Operator's Manual*.
3. Cutting/dismemberment hazard, impeller—do not place your hand in the chute; shut off the engine before leaving the operating position, use the tool to clear the chute.
4. Cutting dismemberment hazard, impeller—keep away from moving parts; remove the ignition key and read the instructions before servicing or performing maintenance.
5. Thrown object hazard—keep bystanders a safe distance away from the snowthrower.
6. Auger/impeller drive—squeeze the lever to engage; release the lever to disengage.



Briggs & Stratton Part No. 273676

1. Stop
2. Slow
3. Fast



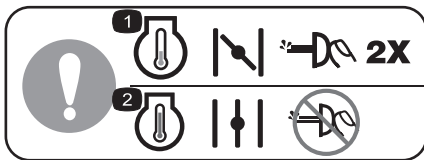
Briggs & Stratton Part No. 275949

1. Choke on (choke)
2. Choke off (run)



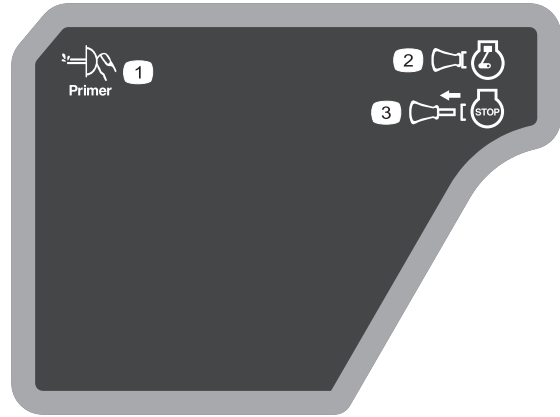
Briggs & Stratton Part No. 276925

1. Warning—read the *Operator's Manual*.
2. Warning—fire hazard.
3. Warning—toxic gas inhalation hazard.
4. Warning—hot surface/burn hazard.



Briggs & Stratton Part No. 277566

1. When starting a cold engine, close the choke and press the primer two times.
2. When starting a warm engine, open the choke and do not press the primer.



Briggs & Stratton Part No. 277588

1. Primer
2. Ignition key in (Engine—run)
3. Ignition key out (Engine—shut off)



Briggs & Stratton Part No. 278866

1. Fuel—on
2. Fuel—off

Setup

Loose Parts

Use the chart below to verify that all parts have been shipped.

Procedure	Description	Qty.	Use
1	Handle bolt	2	Install the upper handle.
	Curved washer	2	
	Locknut	2	
2	Hairpin cotter	2	Install the traction-control linkage.
	Flat washer	3	
3	Nut	2	Install the chute.
	Carriage bolt	2	
	Flat washer	2	
4	Carriage bolt	2	Install the chute-control rod.
	Locknut	2	
5	No parts required	–	Check the engine-oil level.
6	No parts required	–	Check the tire pressure.
7	No parts required	–	Check the skids and scraper.
8	No parts required	–	Check the operation of the traction drive.

1

Installing the Upper Handle

Parts needed for this procedure:

2	Handle bolt
2	Curved washer
2	Locknut

Procedure

1. Lift and rotate the upper handle and position it over the lower handle (Figure 4).
2. Install 2 handle bolts, 2 curved washers, and 2 locknuts in the lower handle holes (Figure 4).

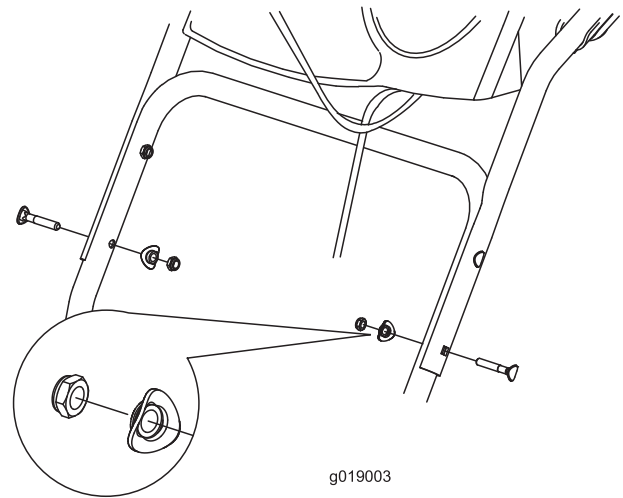


Figure 4

2

Installing the Traction-Control Linkage

Parts needed for this procedure:

2	Hairpin cotter
3	Flat washer

Procedure

1. Insert the lower end of the rod into the lower link arm so that the bent end of the speed-control rod faces rearward (Figure 5).

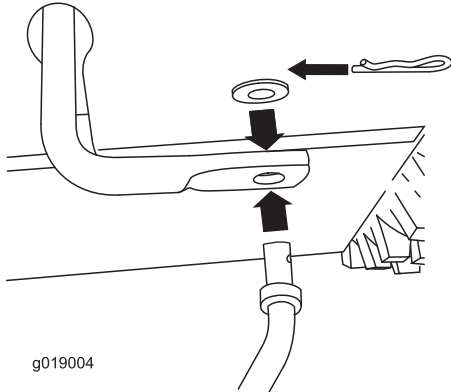


Figure 5

2. Secure the lower end of the speed-control rod with a flat washer and a hairpin cotter (Figure 5).
3. Place a flat washer on the trunnion (Figure 6).

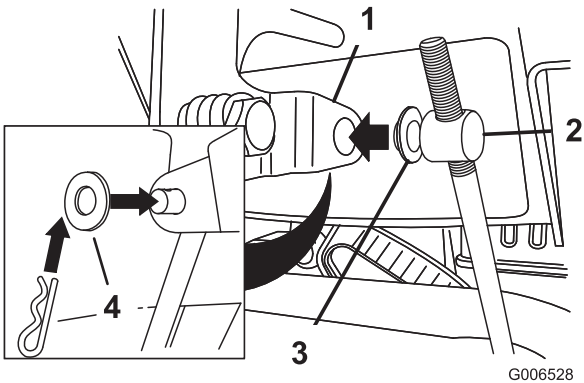


Figure 6

- | | |
|-------------------------|-----------------|
| 1. Speed-selector lever | 3. Inner washer |
| 2. Trunnion | 4. Outer washer |

4. Shift the speed-selector lever into Position R2.
5. Rotate the lower link arm fully upward (counterclockwise) as shown in Figure 7.

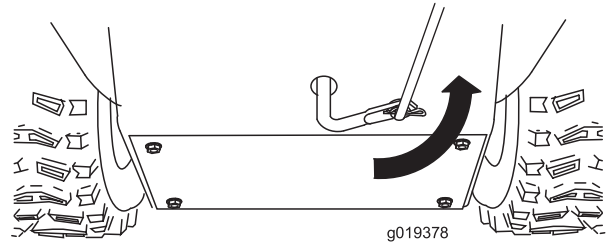


Figure 7

6. Pull up on the speed-control rod and insert the trunnion into the hole in the speed-selector lever (Figure 6).

Note: If the trunnion does not fit into the hole when you lift up on the speed-control rod, rotate the trunnion upward or downward on the speed-control rod until it fits.

7. Secure the trunnion and upper end of the speed-control rod with a washer and a hairpin cotter.

Note: For easier installation, look down through the opening in the speed selector (Figure 8).

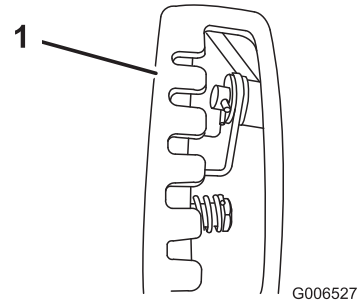


Figure 8

1. Speed selector

3

Installing the Chute

Parts needed for this procedure:

2	Nut
2	Carriage bolt
2	Flat washer

Procedure

1. Place the chute on the frame and align the discharge chute mount to the chute support.

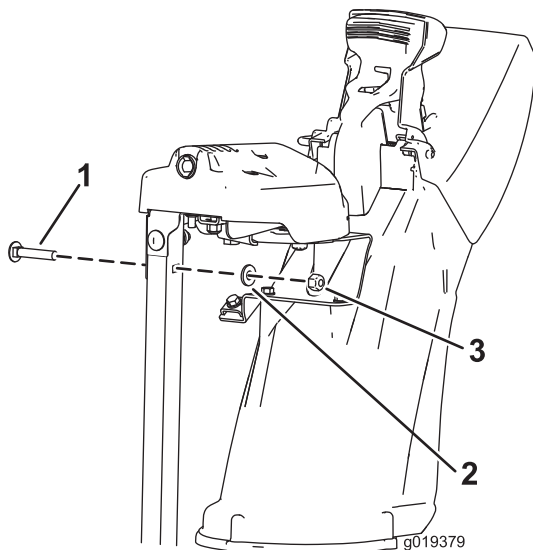


Figure 9

1. Carriage bolt
2. Flat washer
3. Nut

2. Secure the discharge chute mount using 2 bolts, 2 nuts, and 2 flat washers.

4

Installing the Chute-Control Rod

Parts needed for this procedure:

2	Carriage bolt
2	Locknut

Procedure

1. Unwrap the Quick Stick and rotate it so that it is upright and in the center.
2. Hold the blue trigger cap down and pull the lever fully rearward.

Note: The discharge chute and deflector should face forward. If they do not, hold the blue trigger cap down (but do not move the Quick Stick) and rotate the discharge chute until they do.

3. Align the flattened back end of the long chute-control rod with the flattened front end of the short rod that extends from the control panel so that they nest together (Figure 10).

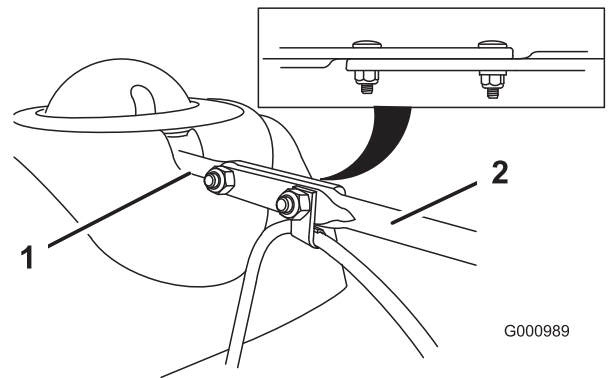


Figure 10

1. Short rod
2. Long chute-control rod

4. Insert the front end of the rod into the opening in the back of the chute-gear cover until it slides into the chute gear (Figure 11).

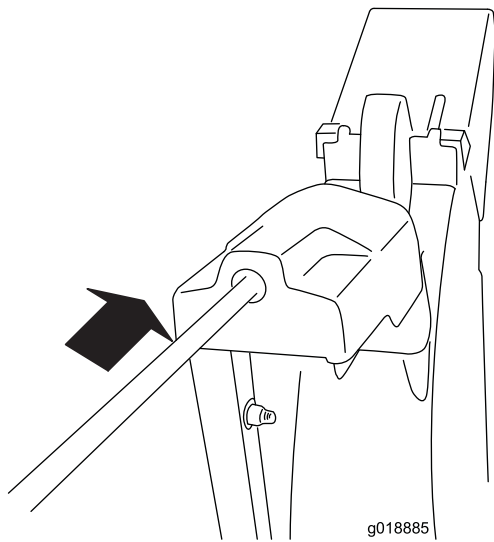


Figure 11

5. Align the holes in the nested ends of the rods and insert 2 carriage bolts (in the loose-parts bag) through the short rod from the left side of the machine (from the operating position).
6. Insert the cable clip that supports the deflector cable onto the forward carriage bolt, and secure the carriage bolts with locknuts from the loose-parts bag (Figure 12).

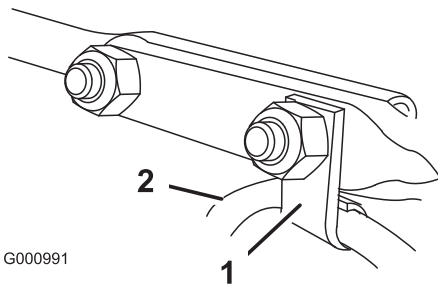


Figure 12

1. Cable clip
2. Deflector cable

7. Hold the blue trigger cap down and rotate the Quick Stick in a circle to ensure that the chute and deflector operate smoothly.

5

Checking the Engine-Oil Level

No Parts Required

Procedure

Note: Your machine comes with oil in the engine crankcase. Before starting the engine, check the oil level and add oil if necessary.

Refer to [Checking the Engine-Oil Level](#) (page 17).

6

Checking the Tire Pressure

No Parts Required

Procedure

The tires are overinflated at the factory for shipping. Reduce the pressure equally in both tires to between 116 and 137 kPa (17 and 20 psi).

7

Checking the Skids and Scraper

No Parts Required

Procedure

Refer to [Checking and Adjusting the Skids and Scraper](#) (page 18).

8

Checking the Operation of the Traction Drive

No Parts Required

Procedure

⚠ CAUTION

If the traction drive is not properly adjusted, the machine may move in the direction opposite of what you intended, causing injury and/or property damage.

Carefully check the traction drive and adjust it properly, if necessary.

Note: To check the operation of the traction drive, the self-propel feature must be engaged by ensuring the wheels are pinned in the axle. Refer to [Freewheeling or Using the Self-propel Drive](#) (page 10).

1. Start the engine; refer to [Starting the Engine](#) (page 12).
2. Move the speed selector to Position R1; refer to [Operating the Speed Selector](#) (page 14).
3. Squeeze the left (traction) lever to the handgrip ([Figure 13](#)).

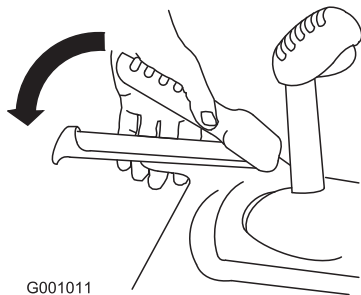


Figure 13

4. Release the traction lever.
5. Move the speed selector to Position 1; refer to [Operating the Speed Selector](#) (page 14).
6. Squeeze the left (traction) lever to the handgrip ([Figure 13](#)).

The machine should move forward. If the machine does not move or moves rearward, complete the following:

- A. Release the traction lever and shut off the engine.
 - B. Disconnect the trunnion from the speed-selector lever ([Figure 6](#)).
 - C. Turn the trunnion upward (counterclockwise) on the speed-control rod ([Figure 6](#)).
 - D. Connect the trunnion to the speed-selector lever ([Figure 6](#)).
7. If you made any adjustments, repeat this procedure until no adjustments are required.

Important: If the machine moves when the traction lever is in the released position, check the traction cable (refer to [Checking and Adjusting the Traction Cable](#) (page 18)) or take the machine to an Authorized Service Dealer for service.

The machine should move rearward. If the machine does not move or moves forward, complete the following:

- A. Release the traction lever and shut off the engine.
- B. Disconnect the trunnion from the speed-selector lever ([Figure 6](#)).
- C. Turn the trunnion downward (clockwise) on the speed-control rod ([Figure 6](#)).
- D. Connect the trunnion to the speed-selector lever ([Figure 6](#)).

Product Overview

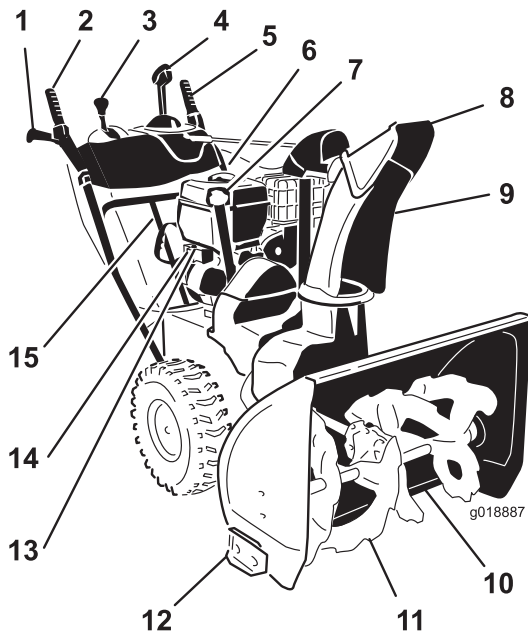


Figure 14

- | | |
|---|----------------------------|
| 1. Handgrip (2) | 9. Discharge chute |
| 2. Auger/impeller lever | 10. Scraper |
| 3. Speed-selector lever | 11. Auger |
| 4. Quick Stick® discharge-chute control | 12. Skid (2) |
| 5. Traction lever | 13. Electric-start button |
| 6. Fuel-tank cap | 14. Electric-start plug-in |
| 7. Oil-fill tube/dipstick | 15. Snow-cleanout tool |
| 8. Chute deflector | |

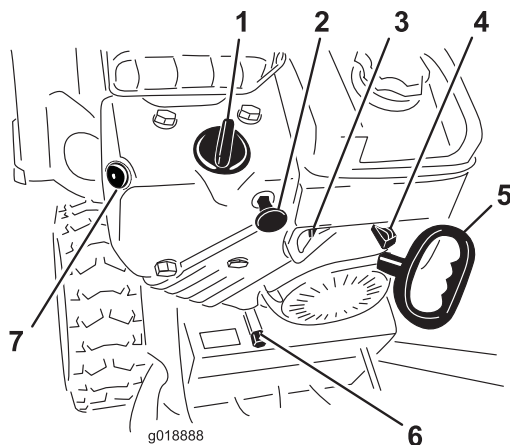


Figure 15

- | | |
|-----------------------|------------------------|
| 1. Choke | 5. Recoil-start handle |
| 2. Ignition switch | 6. Oil-drain plug |
| 3. Fuel-shutoff valve | 7. Primer |
| 4. Throttle | |

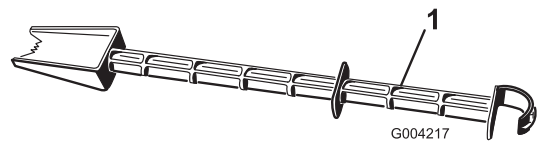


Figure 16

1. Snow-cleanout tool (attached to the handle)

Operation

Before Operation

Safety

- Use extension cords and receptacles as specified by the manufacturer for all machines with electric-starting motors.
- Do not operate the machine without wearing adequate winter garments. Avoid loose-fitting clothing that can get caught in moving parts. Wear substantial, slip-resistant footwear that will improve footing on slippery surfaces.
- Always wear safety glasses or eye protection during operation or while performing an adjustment or repair to protect your eyes from foreign objects that the machine may throw.
- Thoroughly inspect the area where you will use the machine and remove all doormats, sleds, boards, wires, and other foreign objects.
- If a shield, safety device, or decal is damaged, illegible, or lost, repair or replace it before beginning operation. Also, tighten any loose fasteners.

Freewheeling or Using the Self-propel Drive

You can operate the snowthrower with the self-propel feature engaged or disengaged (freewheeling).

To freewheel, slide the wheels inward and insert the axle pins through the axle holes, but not through the wheel hubs (Figure 17).

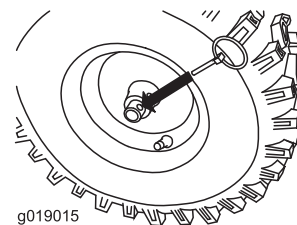


Figure 17

To self-propel, axle pin through the holes in the wheel hubs and the inner axle holes (Figure 18).

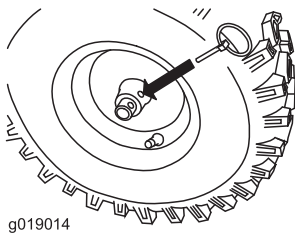


Figure 18

During Operation

Safety

- **Rotating auger blades can injure fingers or hands.** Stay behind the handles and away from the discharge opening while operating the machine. **Keep your face, hands, feet, and any other part of your body or clothing away from moving or rotating parts.**
- Never direct the discharge toward people or areas where property damage can occur.
- Exercise caution to avoid slipping or falling. Always be sure of your footing, and keep a firm hold on the handles. Walk; never run.
- Exercise extreme caution when operating on slopes.
- Never operate the machine without good visibility or light.
- Look behind and use care when backing up with the machine.
- When not actively clearing snow, disengage power to the rotor blades.
- Use extension cords and receptacles as specified by the manufacturer for all machines with electric-starting motors.
- Do not attempt to clear snow from a gravel or crushed rock surface. This product is intended for use only on paved surfaces.
- Do not use the machine on a roof.
- Never attempt to make any adjustments while the engine is running (except when specifically recommended by manufacturer).
- Stay alert for hidden hazards or traffic.
- After striking a foreign object, shut off the engine, remove the ignition key, thoroughly inspect the machine for any damage, and repair the damage before starting and operating the machine.
- If the machine should start to vibrate abnormally, shut off the engine and check immediately for the cause.
- Do not run the engine indoors, except when starting the engine and for transporting the machine in or out of the building. Open the outside doors; exhaust fumes are dangerous.
- Do not overload the machine capacity by attempting to clear snow at too fast a rate.
- Never touch a hot engine or muffler.
- Thoroughly inspect the electrical cord before plugging it into a power source. If the cord is damaged, do not use it to start the machine. Replace the damaged cord immediately. Unplug the power cord whenever you are not starting the machine.

Filling the Fuel Tank

- For best results, use only clean, fresh, unleaded gasoline with an octane rating of 87 or higher ((R+M)/2 rating method).
- Oxygenated fuel with up to 10% ethanol or 15% MTBE by volume is acceptable.
- **Do not** use ethanol blends of gasoline (such as E15 or E85) with more than 10% ethanol by volume. Performance problems and/or engine damage may result which may not be covered under warranty.
- **Do not** use gasoline containing methanol.
- **Do not** store fuel either in the fuel tank or fuel containers over the winter unless you use a fuel stabilizer.
- **Do not** add oil to gasoline.

Important: To reduce starting problems, add fuel stabilizer to the fuel all season, mixing it with gasoline less than 30 days old.



Figure 19

1. Do not fill above the bottom of the fuel-tank neck.

Starting the Engine

1. Check the engine-oil level. Refer to [Checking the Engine-Oil Level](#) (page 17).
2. Turn the fuel-shutoff valve 1/4 turn counterclockwise to open it ([Figure 20](#)).

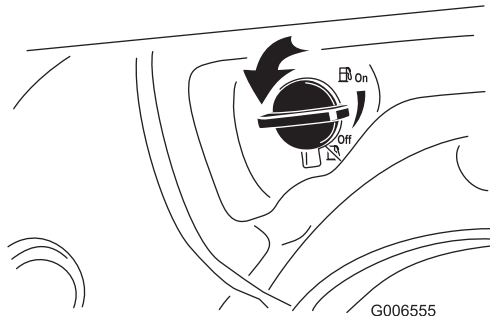


Figure 20

3. Insert the ignition key ([Figure 21](#)).

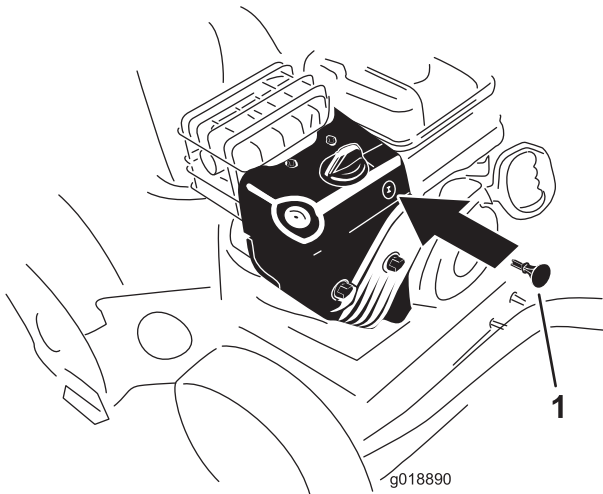


Figure 21

1. Ignition key

4. Firmly push in the primer with your thumb as indicated by the table below, holding the primer in for a second before releasing it each time ([Figure 22](#)).

Temperature	Suggested Number of Primes
-9°C (15°F) and above	2
Below -9°C (15°F)	4

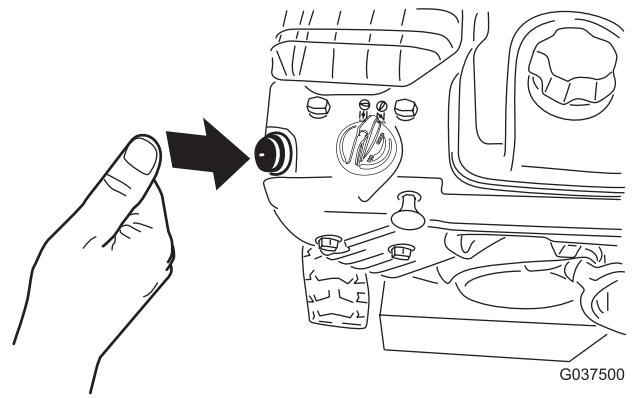


Figure 22

5. Rotate the choke to the CHOKE position ([Figure 23](#)).

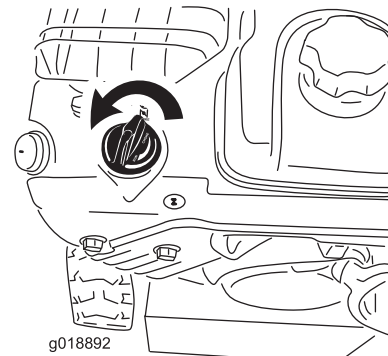


Figure 23

6. Move the throttle to the FAST position ([Figure 24](#)).

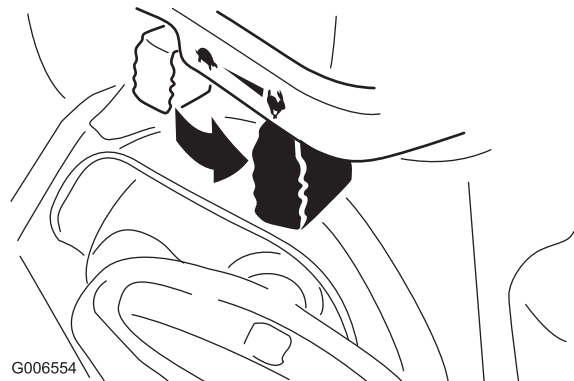


Figure 24

7. Start the machine pulling the recoil-start handle or pressing the electric-starter button ([Figure 25](#)).

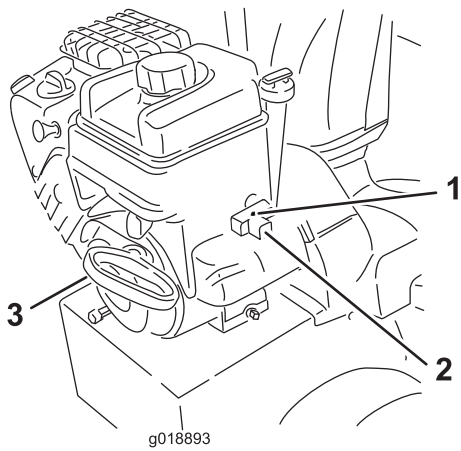


Figure 25

- 1. Electric-start button
- 2. Electric-start plug-in
- 3. Recoil-start handle

To use the electric starter (electric start only), connect a power cord to the electric-start plug-in first and then to a ground fault circuit interrupter (GFCI) power outlet. Use only a UL-listed, 16-gauge power cord recommended for outdoor use that is not longer than 15 m (50 ft).

Important: Do not use a worn or damaged power cord.

⚠ WARNING

The electrical cord can become damaged, causing a shock or fire.

Thoroughly inspect the electrical cord before using the machine. If the cord is damaged, do not operate the machine. Replace or repair the damaged cord immediately. Contact an Authorized Service Dealer for assistance.

Important: To prevent damaging the electric starter, run it in short cycles (5 seconds maximum, then wait one minute before trying to start it again). If the engine still does not start, take the machine to an Authorized Service Dealer for service.

- 8. Disconnect the power cord from the power outlet first and then from the machine (electric start only).
- 9. Allow the engine to warm up for several minutes, move the choke toward the RUN position. Wait for the engine to run smoothly before each choke adjustment.

⚠ CAUTION

If you leave the machine plugged into a power outlet, someone can inadvertently start the machine and injure people or damage property.

Unplug the power cord whenever you are not starting the machine.

Shutting Off the Engine

- 1. Move the throttle to the SLOW position and then to the STOP position (Figure 26).



Figure 26

- 2. Wait for all moving parts to stop before leaving the operating position.
- 3. Remove the ignition key.
- 4. Close the fuel-shutoff valve by rotating it clockwise (Figure 27).

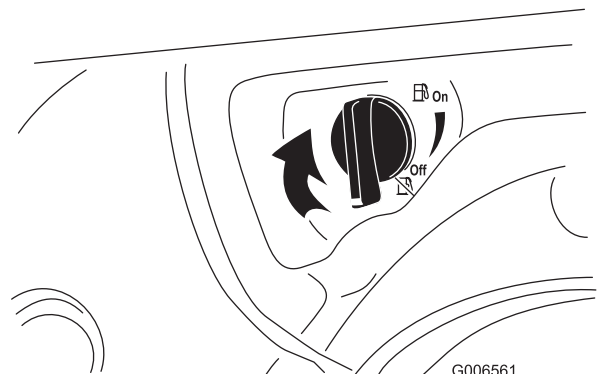


Figure 27

- 5. Pull the recoil-start handle 3 or 4 times. This helps prevent the recoil starter from freezing up.

Operating the Traction Drive

⚠ CAUTION

If the traction drive is not properly adjusted, the machine may move in the direction opposite of what you intended, causing injury and/or property damage.

Carefully check the traction drive and adjust it properly, if necessary; refer to [8 Checking the Operation of the Traction Drive \(page 8\)](#) for more information.

Important: If the machine moves when the traction lever is in the released position, check the traction cable; refer to [Checking and Adjusting the Traction Cable \(page 18\)](#) or take the machine to an Authorized Service Dealer for service.

1. To engage the traction drive, squeeze the left (traction) lever to the handgrip ([Figure 28](#)).

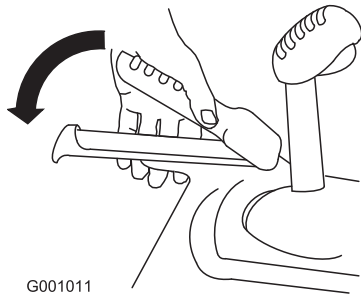


Figure 28

2. To stop the traction drive, release the traction lever.

Operating the Speed Selector

The speed selector has 6 forward and 2 reverse gears. To change speeds, release the traction lever and shift the speed-selector lever to the desired position ([Figure 29](#)). The lever locks in a notch at each speed selection.

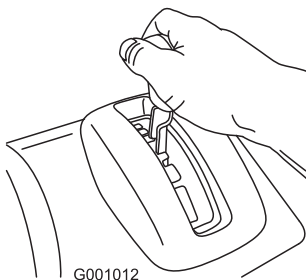


Figure 29

Operating the Auger/Impeller Drive

1. To engage the auger/ impeller drive, squeeze the right (auger/ impeller) lever to the handgrip ([Figure 30](#)).

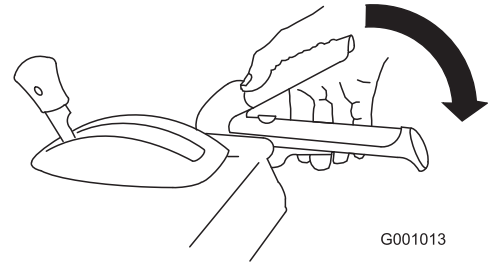


Figure 30

2. To stop the auger and impeller, release the right lever.

Important: When you engage both the auger/impeller lever and the traction lever, the traction lever locks the auger/impeller lever down, freeing your right hand. To release both levers, simply release the left (traction) lever.

3. If the auger and impeller continue to rotate when you release the auger/impeller lever, do not operate the machine. Check the auger/impeller cable; refer to [Checking and Adjusting the Auger/Impeller Cable \(page 19\)](#) and adjust it if necessary. Otherwise, take the machine to an Authorized Dealer for service.

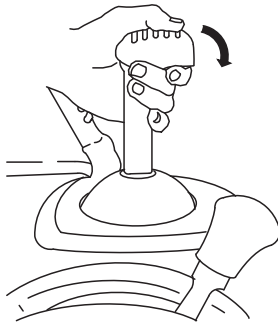
⚠ WARNING

If the auger and impeller continue to rotate when you release the auger/impeller lever, do not operate the machine, as you could seriously injure yourself or others.

Take it to an Authorized Service Dealer for service.

Operating the Quick Stick®

Hold the blue trigger cap down to use the Quick Stick to move the discharge chute and the chute deflector. Release the trigger cap to lock the discharge chute and chute deflector into position (Figure 31).



G001014

Figure 31

Moving the Chute Deflector

Hold the blue trigger cap down and move the Quick Stick forward to lower the chute deflector; move it rearward to raise the chute deflector (Figure 33).



G001016

Figure 33

Moving the Discharge Chute

Hold the blue trigger cap down and move the Quick Stick to the left to move the discharge chute to the left; move the Quick Stick to the right to move the discharge chute to the right (Figure 32).

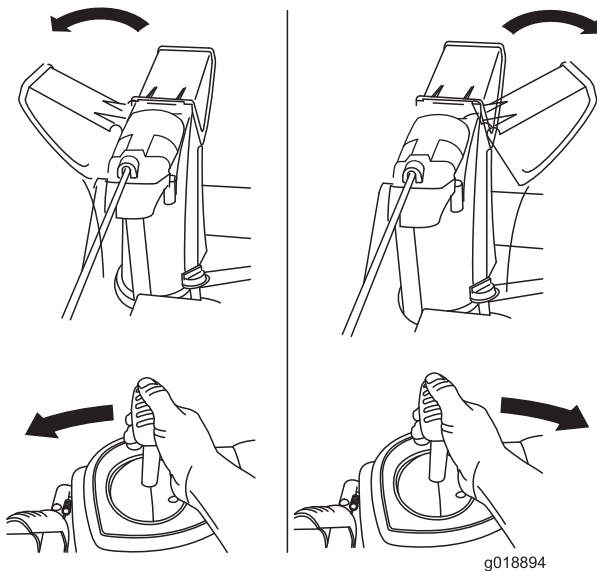


Figure 32

Unclogging the Discharge Chute

⚠ WARNING

If the auger/impeller is running but there is no snow coming out of the discharge chute, the discharge chute may be clogged.

Never use your hands to clear a clogged discharge chute. This could result in personal injury.

- To unclog the discharge chute, stay in the operating position and release the left (traction) lever. While running the auger/impeller, push down on the handles to raise the front of the machine a few centimeters (inches) off the pavement. Then lift the handles quickly to bump the front of the machine on the pavement. Repeat if necessary until a stream of snow comes out the discharge chute.
- If you cannot unclog the discharge chute by bumping the front of the machine, **shut off the engine, wait for all moving parts to stop, and use the snow-cleanout tool; never use your hand.**

Important: Unclogging the discharge chute by bumping the front of the machine on the pavement may cause the skids to move. Adjust the skids and tighten the skid bolts securely.

- If the chute does not move, refer to [Adjusting the Discharge-Chute Latch](#) (page 22).
- If the chute does not turn as far to the left as it does to the right, ensure that the cable is routed to the inside of the handles. Refer to [1 Installing the Upper Handle](#) (page 5).
- If the chute does not lock into place when you release the trigger cap, refer to [Adjusting the Discharge-Chute Latch](#) (page 22).

Operating Tips

⚠ DANGER

When the machine is in operation, the impeller and auger rotate and can injure or amputate hands or feet.

- Before adjusting, cleaning, inspecting, troubleshooting, or repairing the machine, shut off the engine and wait for all moving parts to stop. Disconnect the wire from the spark plug and keep it away from the plug to prevent someone from accidentally starting the engine.
- Remove an obstruction from the discharge chute; refer to [Unclogging the Discharge Chute \(page 15\)](#). If necessary, use the snow-cleanout tool, not your hands, to remove an obstruction from the discharge chute.
- Stay behind the handles and away from the discharge opening while operating the machine.
- Keep face, hands, feet, and any other part of your body or clothing away from concealed, moving, or rotating parts.

⚠ WARNING

The impeller can throw stones, toys, and other foreign objects and cause serious personal injury to the operator or to bystanders.

- Keep the area to be cleared free of all objects that the auger could pick up and throw.
- Keep all children and pets away from the area of operation.
- Always set the throttle to the FAST position when throwing snow.
- If the engine slows down under a load or the wheels slip, shift the machine into a lower gear.
- If the front of the machine rides up, shift the machine into a lower gear. If the front continues to ride up, lift up on the handles.

After Operation

Safety

- Never store the machine with fuel in the fuel tank inside a building where ignition sources are present, such as hot water heaters, space heaters, or clothes dryers. Allow the engine to cool before storing in any enclosure.
- When storing the machine for more than 30 days, refer to [Storage \(page 22\)](#) for important details.

Preventing Freeze-up after Use

- In snowy and cold conditions, some controls and moving parts may freeze. **Do not use excessive force when trying to operate frozen controls.** If you have difficulty operating any control or part, start the engine and let it run for a few minutes.
- After using the machine, let the engine run for a few minutes to prevent moving parts from freezing. Engage the auger/impeller to clear any remaining snow from inside the housing. Rotate the Quick Stick to prevent it from freezing. Shut off the engine, wait for all moving parts to stop, and remove all ice and snow from the machine.
- With the engine off, pull the recoil-start handle several times and push the electric-starter button once to prevent the recoil starter and electric starter from freezing up.

Maintenance

Note: Determine the left and right sides of the machine from the normal operating position.

Recommended Maintenance Schedule(s)

Maintenance Service Interval	Maintenance Procedure
After the first 2 hours	<ul style="list-style-type: none">• Inspect the traction cable and adjust it if necessary.• Inspect the auger/impeller cable and adjust it if necessary.
After the first 5 hours	<ul style="list-style-type: none">• Change the engine oil.
Before each use or daily	<ul style="list-style-type: none">• Check the engine-oil level and add oil if necessary.
Yearly	<ul style="list-style-type: none">• Check the skids and the scraper and adjust them if necessary.• Inspect the traction cable and adjust or replace it if necessary.• Inspect the auger/impeller cable and adjust or replace it if necessary.• Check the auger-gearbox oil and add oil if necessary.• Change the engine oil.• Lubricate the hex shaft.• Replace the spark plug.
Yearly or before storage	<ul style="list-style-type: none">• Check the air pressure in the tires and inflate them to 116 to 137 kPa (17 to 20 psi).• Drain the fuel from the fuel tank and run the engine to dry out the fuel tank and the carburetor at the end of the season.• Have an Authorized Service Dealer inspect and replace the traction drive belt and/or the auger/impeller drive belt, if necessary.

Important: You can find more information about maintaining and servicing your machine at www.Toro.com.

Important: Refer to your engine owner's manual for additional maintenance procedures. For engine adjustments, repairs, or warranty service not covered in this manual, contact an Authorized Briggs & Stratton Servicing Dealer.

Maintenance Safety

Read the following safety precautions before performing any maintenance on the machine:

- Before performing any maintenance, service, or adjustment, shut off the engine and remove the key. If major repairs are ever needed, contact an Authorized Service Dealer.
- Check all fasteners at frequent intervals for proper tightness to ensure that the machine is in safe working condition.
- Maintain or replace safety and instruction labels, as necessary.
- Do not change the governor settings on the engine.
- Purchase only genuine Toro replacement parts and accessories.

Preparing for Maintenance

1. Move the machine to a level surface.
2. Shut off the engine and wait for all moving parts to stop.
3. Disconnect the spark-plug wire. Refer to [Replacing the Spark Plug](#) (page 21).

Checking the Engine-Oil Level

Service Interval: Before each use or daily—Check the engine-oil level and add oil if necessary.

1. Remove the dipstick, wipe it clean, then fully install the dipstick.
2. Remove the dipstick and check the oil level ([Figure 34](#)). If the oil level is below the Add mark on the dipstick, add oil. Refer to [Changing the Engine Oil](#) (page 20).

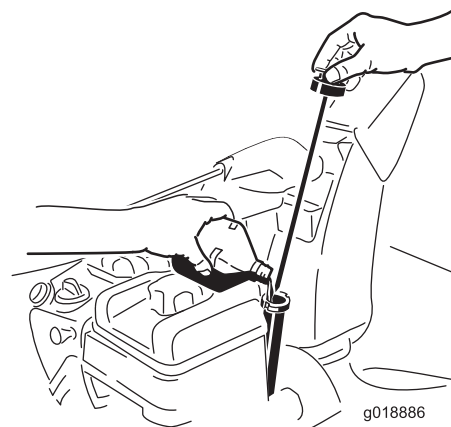


Figure 34

Checking and Adjusting the Skids and Scraper

Service Interval: Yearly—Check the skids and the scraper and adjust them if necessary.

Check the skids and the scraper to ensure that the auger does not contact the paved or gravel surface. Adjust the skids and the scraper as needed to compensate for wear.

1. Check the tire pressure; refer to [6 Checking the Tire Pressure](#) (page 8).
2. Loosen the nuts that secure both skids to the auger sides until the skids slide up and down easily.

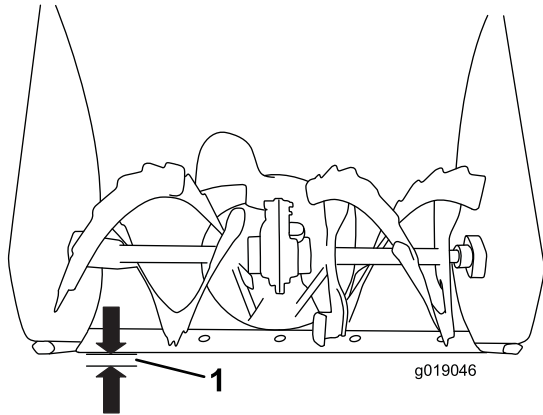


Figure 35

1. 3 mm (1/8 inch)

Important: The auger blades must be supported above the ground by the skids.

3. Ensure that the scraper is 3 mm (1/8 inch) above and parallel to a level surface.

Note: If the pavement is cracked, rough, or uneven, adjust the skids to raise the scraper. For gravel surfaces, adjust the skids further down to prevent the machine from picking up rocks.

4. Move the skids down until they are even with the ground.
5. Firmly tighten the nuts that secure both skids to the auger sides.

Note: To quickly adjust the skids if they loosen, support the scraper 3 mm (1/8 inch) off the pavement, then adjust the skids down to the pavement.

Note: If the skids become excessively worn, you can turn them over and set the unused side toward the pavement.

Checking and Adjusting the Traction Cable

Service Interval: After the first 2 hours—Inspect the traction cable and adjust it if necessary.

Yearly—Inspect the traction cable and adjust or replace it if necessary.

If the machine does not drive in the forward or reverse speeds or it drives when you release the traction lever, adjust the traction cable.

If the left (traction) cable is not properly adjusted, do the following steps:

1. Loosen the jam nut.
2. Engage the traction lever and hold it in place ([Figure 36](#)).

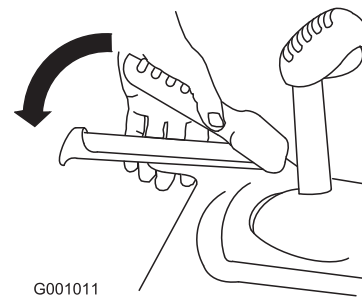


Figure 36

3. Loosen or tighten the turnbuckle to adjust the spring length to 5.5 cm (2.18 inches) as shown in [Figure 37](#).

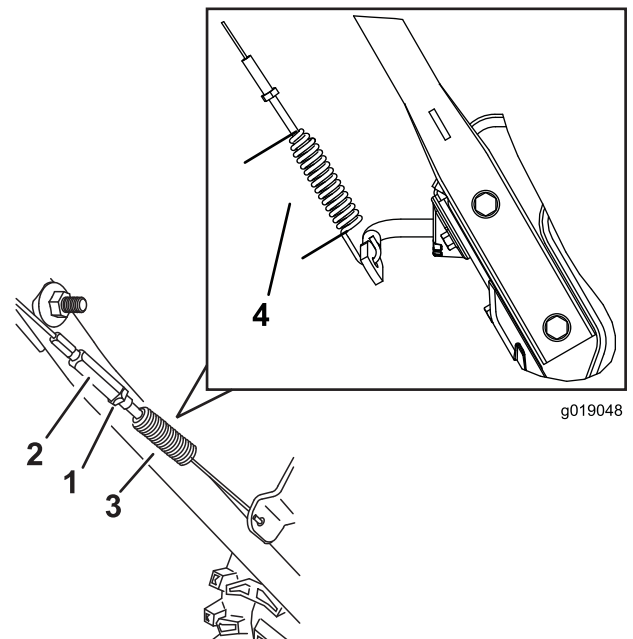


Figure 37

- | | |
|---------------|-------------------------|
| 1. Jam nut | 3. Spring |
| 2. Turnbuckle | 4. 5.5 cm (2.18 inches) |

4. Tighten the jam nut (Figure 37), ensuring there is slight tension on the cable.
5. If the traction cable is properly adjusted but a problem remains, contact an Authorized Service Dealer.

5. If the auger/impeller cable is properly adjusted but a problem remains, contact an Authorized Service Dealer.

Checking and Adjusting the Auger/Impeller Cable

Service Interval: After the first 2 hours—Inspect the auger/impeller cable and adjust it if necessary.

Yearly—Inspect the auger/impeller cable and adjust or replace it if necessary.

1. Loosen the jam nut.
2. Engage the auger/impeller lever and hold it in place (Figure 38).

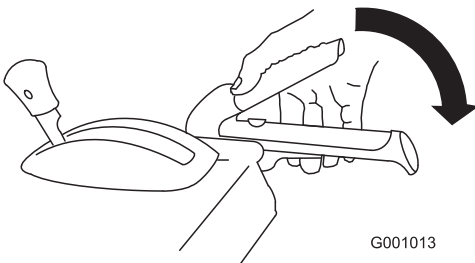


Figure 38

3. Loosen or tighten the turnbuckle to adjust the spring length to 7 cm (2.75 inches) as shown in Figure 39.

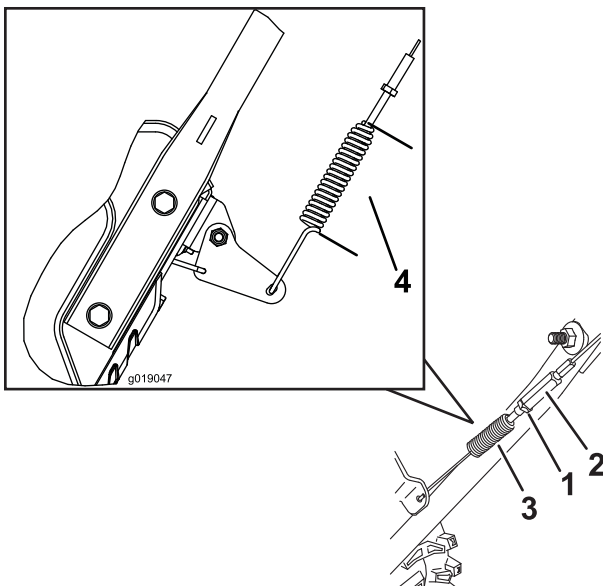


Figure 39

- | | |
|---------------|-----------------------|
| 1. Jam nut | 3. Spring |
| 2. Turnbuckle | 4. 7 cm (2.75 inches) |

4. Tighten the jam nut (Figure 39), ensuring there is slight tension on the cable.

Checking the Auger-Gearbox-Oil Level

Service Interval: Yearly—Check the auger-gearbox oil and add oil if necessary.

1. Move the machine to a level surface.
2. Clean the area around the pipe plug (Figure 40).

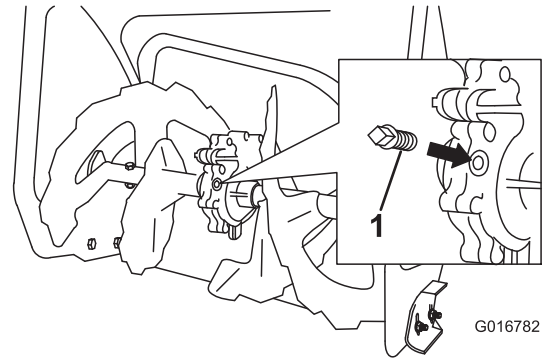


Figure 40

1. Pipe plug

3. Remove the pipe plug from the gearbox.
4. Check the oil level in the gearbox. The oil should be 9.5 mm (3/8 inch) below the filler opening.
5. If the oil level is low, add GL-5 or GL-6, SAE 80-90 EP gear oil lubricant to the gearbox until the oil level is 9.5 mm (3/8 inch) below the filler opening.

Note: Do not use synthetic oil.

6. Install the pipe plug in the gearbox.

Changing the Engine Oil

Service Interval: After the first 5 hours—Change the engine oil.

Yearly—Change the engine oil.

If possible, run the engine for a few seconds before changing the oil because warm oil flows better and carries more contaminants.

Use automotive detergent oil with an API service classification of SF, SG, SH, SJ, SL, or higher. Refer to your engine owner's manual.

Use [Figure 41](#) below to select the best oil viscosity for the outdoor temperature range expected:

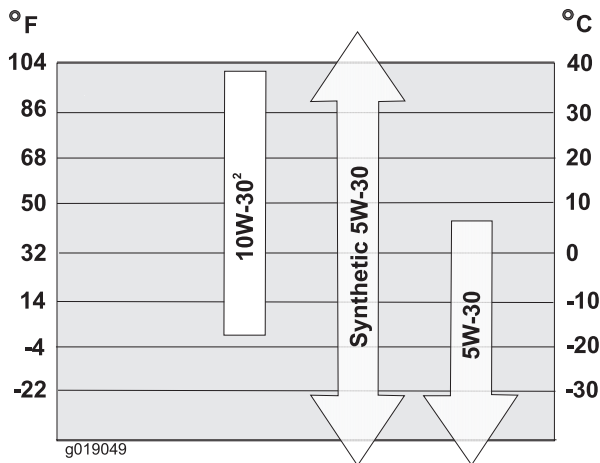


Figure 41

Engine Oil Capacities

Model	Engine Oil Capacity
37772	0.53 to 0.59 L (18 to 20 oz)

1. Clean the area around the oil-drain cap ([Figure 42](#)).

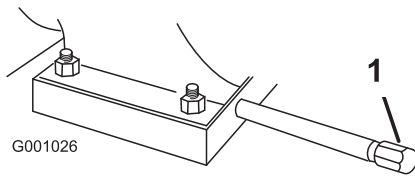


Figure 42

1. Oil-drain cap
2. Slide an oil-drain pan under the drain extension and remove the oil-drain cap.
3. Drain the oil.

Note: Dispose of the used oil properly at a local recycling center.
4. Install the oil-drain cap.
5. Fill the crankcase with oil.

Lubricating the Hex Shaft

Service Interval: Yearly—Lubricate the hex shaft.

Lightly lubricate the hex shaft yearly with automotive engine oil ([Figure 43](#)).

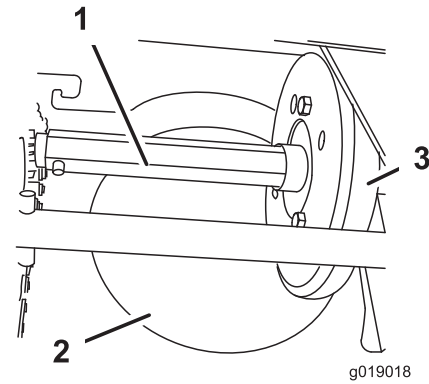


Figure 43

1. Hex shaft
2. Steel friction pulley
3. Rubber wheel

Important: Do not get oil on the rubber wheel or the steel friction pulley because the traction drive will slip ([Figure 43](#)).

1. Drain the fuel from the fuel tank.
2. Tip the machine forward onto its auger housing and block it so that it cannot fall.
3. Remove the back cover ([Figure 44](#)).

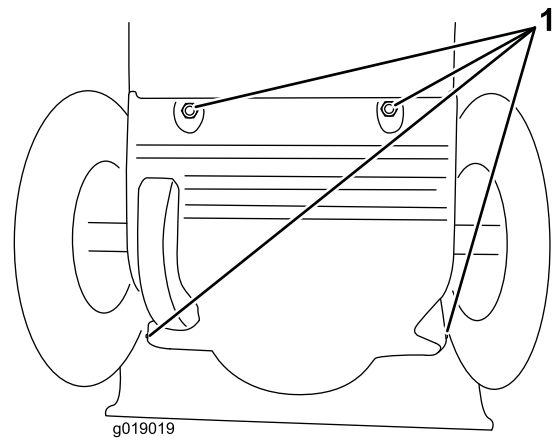


Figure 44

1. Screws
4. Move the speed-selector lever to Position R2.
5. Dip your finger in automotive engine oil and **lightly** lubricate hex shaft.
6. Move the speed-selector lever to Position 6.
7. Lubricate the other end of the hex shaft.
8. Move the speed-selector lever forward and rearward a few times.

- Install the back cover and return the machine to the operating position.

Replacing the Spark Plug

Service Interval: Yearly—Replace the spark plug.

Use a **Champion QC12YC** or equivalent spark plug.

Note: To access the spark plug, you must first remove the upper snow hood ([Figure 45](#)).

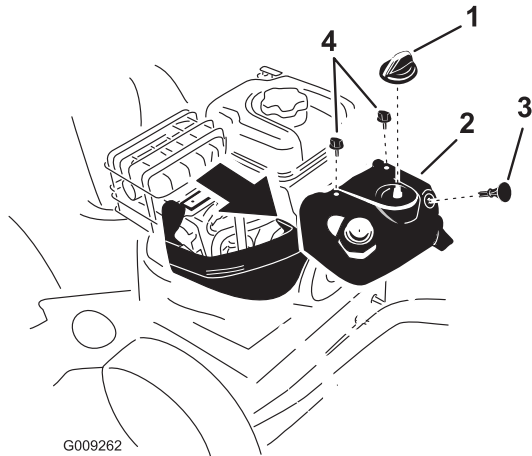


Figure 45

- | | |
|--------------------|-----------------|
| 1. Choke knob | 3. Ignition key |
| 2. Upper snow hood | 4. Screw (2) |

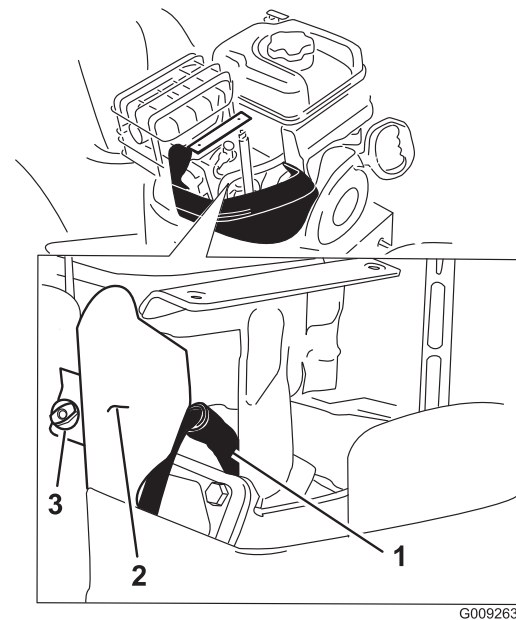


Figure 46

- | | |
|--------------------|---------------|
| 1. Spark-plug wire | 3. Thumbscrew |
| 2. Bracket | |

- Clean around the base of the spark plug ([Figure 46](#)).
- Remove and discard the old spark plug.

Note: You will need a ratchet wrench extension to remove the spark plug.

- Set the gap between the electrodes on a new spark plug at 0.76 mm (0.030 inch) as shown in [Figure 47](#).

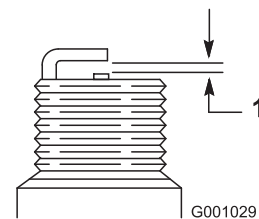


Figure 47

- 0.76 mm (0.030 inch)

- Install the new spark plug, tighten it firmly, and attach the ignition wire to the spark plug.
- Install the bracket with the thumbscrew that you removed in step 4.
- Ensure that the primer-bulb hose and the ignition wire are connected and clear of the carburetor bracket.
- Secure the upper snow hood to the machine with the 2 screws that you previously removed.
- Align the tab on the choke-control knob with the slot on the upper snow hood.
- Connect the choke-control knob to the choke shaft on the carburetor.

Adjusting the Discharge-Chute Latch

If the discharge chute does not lock into the desired position or does not unlock so that you can move it to another position, adjust the discharge-chute latch.

1. Loosen the clamp fastener on the chute-support plate until the cable is free.

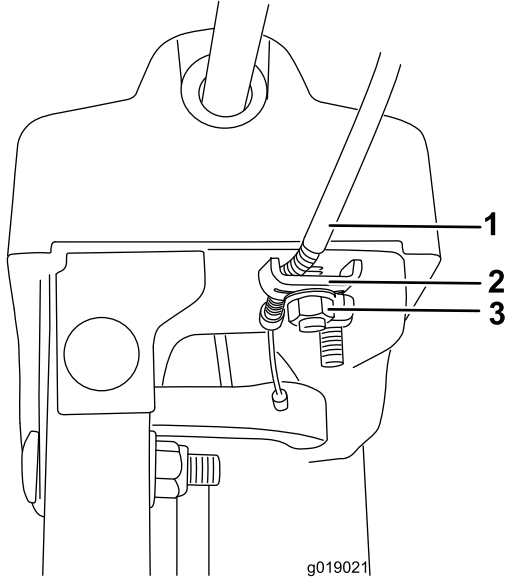


Figure 48

1. Cable conduit
2. Cable clamp
3. Clamp fastener

2. Remove any slack in the cable by pulling the cable conduit rearward.
3. Tighten the clamp fastener while holding the cable in place.

Replacing the Drive Belts

If the auger/impeller drive belt or the traction drive belt becomes worn, oil-soaked, or otherwise damaged, have an Authorized Service Dealer replace the belt.

Storage

⚠ WARNING

- Fuel vapors can explode.
- Do not store fuel for more than 30 days.
- Do not store the machine in an enclosure near an open flame.
- Allow the engine to cool before storing it.

Preparing the Machine for Storage

1. On the last refueling of the year, add fuel stabilizer to fresh fuel as directed by the engine manufacturer.
Note: Fuel should not be stored longer than suggested by the fuel-stabilizer manufacturer.
2. Run the engine for 10 minutes to distribute the conditioned fuel through the fuel system.
3. Run the machine until the engine runs out of fuel.
4. Prime the engine and start it again.
5. Allow the engine to run until it shuts off. When you can no longer start the engine, it is sufficiently dry.
6. Shut off the engine and allow it to cool.
7. Remove the ignition key.
8. Clean the machine thoroughly.
9. Touch up chipped surfaces with paint available from an Authorized Service Dealer. Sand affected areas before painting, and use a rust preventative to prevent the metal parts from rusting.
10. Tighten all loose screws, bolts, and locknuts. Repair or replace any damaged parts.
11. Cover the machine and store it in a clean, dry place out of the reach of children.

Removing the Machine from Storage

1. Remove the spark plug and spin the engine rapidly using the starter to blow the excess oil from the cylinder.
2. Install the spark plug and tighten it firmly.
3. Connect the spark-plug wire.
4. Perform the annual maintenance procedures as given in the Recommended Maintenance Schedule; refer to [Maintenance \(page 17\)](#).

Troubleshooting

Problem	Possible Cause	Corrective Action
Electric starter does not turn (electric start only).	<ol style="list-style-type: none"> 1. The power cord is disconnected at the outlet or the machine. 2. The power cord is worn, corroded, or damaged. 3. The power outlet is not energized. 	<ol style="list-style-type: none"> 1. Connect the power cord to the outlet and/or the machine. 2. Replace the power cord. 3. Have a qualified electrician energize the outlet.
Engine does not start or starts hard.	<ol style="list-style-type: none"> 1. The key is not in the ignition or is in the STOP position. 2. The choke is in the OFF position and the primer has not been pressed. 3. The fuel-shutoff valve is not open. 4. The throttle is not in the FAST position. 5. The fuel tank is empty or the fuel system contains stale fuel. 6. The spark-plug wire is loose or disconnected. 7. The spark plug is pitted, fouled, or the gap is incorrect. 8. The fuel-vent cap is restricted. 9. The engine-oil level in the engine crankcase is too low or too high. 	<ol style="list-style-type: none"> 1. Insert the key into the ignition and turn it to the ON position. 2. Move the choke to the ON position and press the primer 3 times. 3. Open the fuel-shutoff valve. 4. Move the throttle to the FAST position. 5. Drain and/or fill the fuel tank with fresh fuel (not more than 30 days old). If the problem persists, contact an Authorized Service Dealer. 6. Connect the wire to the spark plug. 7. Check the spark plug and adjust the gap if necessary. Replace the spark plug if it is pitted, fouled, or cracked. 8. Remove the vent restriction or replace the fuel cap. 9. Add or drain oil to adjust the oil level in the engine crankcase to the Full mark on the dipstick.
Engine runs rough.	<ol style="list-style-type: none"> 1. The choke is in the ON position. 2. The fuel-shutoff valve is not completely open. 3. The fuel tank is nearly empty or contains stale fuel. 4. The spark-plug wire is loose. 5. The spark plug is pitted, fouled, or the gap is incorrect. 6. The engine-oil level in the engine crankcase is too low or too high. 	<ol style="list-style-type: none"> 1. Move the choke to the OFF position. 2. Open the fuel-shutoff valve. 3. Drain and fill the fuel tank with fresh fuel (not more than 30 days old). If the problem persists, contact an Authorized Service Dealer. 4. Connect the wire to the spark plug. 5. Check the spark plug and adjust the gap if necessary. Replace the spark plug if it is pitted, fouled, or cracked. 6. Add or drain oil to adjust the oil level in the engine crankcase to the Full mark on the dipstick.

Problem	Possible Cause	Corrective Action
Engine runs, but the machine discharges snow poorly or not at all.	<ol style="list-style-type: none"> 1. The throttle is not in the FAST position when throwing snow. 2. The machine is moving too fast to clear the snow. 3. You are trying to remove too much snow per swath. 4. You are trying to remove extremely heavy or wet snow. 5. The discharge chute is plugged. 6. The auger/impeller drive belt is loose or is off the pulley. 7. The auger/impeller drive belt is worn or broken. 	<ol style="list-style-type: none"> 1. Move the throttle to the FAST position. 2. Shift the machine into a lower gear. 3. Reduce the amount of snow removed per swath. 4. Don't overload the machine with extremely heavy or wet snow. 5. Unclog the discharge chute. 6. Install and/or adjust the auger/impeller drive belt; refer to www.Toro.com for servicing information or take the machine to an Authorized Service Dealer. 7. Replace the auger/impeller drive belt; refer to www.Toro.com for servicing information or take the machine to an Authorized Service Dealer.
Discharge chute either does not lock into place or does not move.	<ol style="list-style-type: none"> 1. The discharge-chute latch is not properly adjusted. 	<ol style="list-style-type: none"> 1. Adjust the discharge-chute latch.
The machine does not properly clear the snow off the surface.	<ol style="list-style-type: none"> 1. The skids and/or scraper are not properly adjusted. 2. The pressure in the tires is not equal. 	<ol style="list-style-type: none"> 1. Adjust the skids and/or the scraper. 2. Check and adjust the pressure in one or both tires.

Notes:

Notes:

Notes:



The Toro Warranty
A Three-Year Limited Warranty (45 Day Limited Warranty for Commercial Use)

SnowMaster
Power Max

Conditions and Products Covered

The Toro Company and its affiliate, Toro Warranty Company, pursuant to an agreement between them, jointly promise to repair the Toro Product listed below if used for residential purposes*, if defective in materials or workmanship or if it stops functioning due to the failure of a component for the period listed below.

This warranty covers the cost of parts and labor, but you must pay transportation costs.

The following time periods apply from the original date of purchase:

Products	Warranty Period
SnowMaster and Power Max Snowthrowers and Attachments	3 years
— Chute	Lifetime (original owner only)
— Deflector	Lifetime (original owner only)
— SnowMaster Lower Chute	Lifetime (original owner only)
— Power Max Anti-Clogging System (Plastic impeller housing cover)	Lifetime (original owner only)

Limited Warranty for Commercial Use

Gas-powered Toro Products used for commercial, institutional, or rental use, are warranted for 45 days against defects in materials or workmanship. Components failing due to normal wear are not covered by this warranty.

Instructions for Obtaining Warranty Service

If you think that your Toro Product contains a defect in materials or workmanship, follow this procedure:

1. Contact any Authorized Toro Service Dealer to arrange service at their dealership. To locate a dealer convenient to you, refer to the *Yellow Pages* of your telephone directory (look under "Lawn Mowers") or access our web site at www.Toro.com. You may also call the numbers listed in item #3 to use the 24-hour Toro Dealer locator system.
2. Bring the product and your proof of purchase (sales receipt) to the Service Dealer. The dealer will diagnose the problem and determine if it is covered under warranty.
3. If for any reason you are dissatisfied with the Service Dealer's analysis or with the assistance provided, contact us at:

Toro Warranty Company
Customer Care Department, RLC Division
8111 Lyndale Avenue South
Bloomington, MN 55420-1196
Toll free at 866-336-5205 (U.S. customers)
Toll free at 866-854-9033 (Canadian customers)

Countries Other than the United States or Canada

Customers who have purchased Toro products exported from the United States or Canada should contact their Toro Distributor (Dealer) to obtain guarantee policies for your country, province, or state. If for any reason you are dissatisfied with your Distributor's service or have difficulty obtaining guarantee information, contact the Toro importer. If all other remedies fail, you may contact us at Toro Warranty Company.

Australian Consumer Law

Australian customers will find details relating to the Australian Consumer Law either inside the box or at your local Toro Dealer.

*Residential purposes means use of the product on the same lot as your home. Use at more than one location, or institutional or rental use, is considered commercial use, and the commercial use warranty would apply.

Owner Responsibilities

You must maintain your Toro Product by following the maintenance procedures described in the *Operator's Manual*. Such routine maintenance, whether performed by a dealer or by you, is at your expense.

Items and Conditions Not Covered

There is no other express warranty except for special emission system coverage and engine warranty coverage on some products. This express warranty does not cover the following:

- Cost of regular maintenance service or replacement of wear parts, such as blades, rotor blades (paddles), scraper blades, belts, fuel, lubricants, oil changes, spark plugs, light bulbs, cable/linkage or brake adjustments
- Any product or part which has been altered or misused or neglected or requires replacement or repair due to accidents or lack of proper maintenance
- Pickup and delivery charges
- Operational misuse, neglect, or accidents
- Repairs or attempted repairs by anyone other than an Authorized Toro Service Dealer
- Repairs necessary due to failure to follow recommended fuel procedure (consult *Operator's Manual* for more details)
 - Removing contaminants from the fuel system is not covered
 - Use of old fuel (more than one month old) or fuel which contains more than 10% ethanol or more than 15% MTBE
 - Failure to drain the fuel system prior to any period of non-use over one month

General Conditions

All repairs covered by these warranties must be performed by an Authorized Toro Service Dealer using Toro approved replacement parts. Repair by an Authorized Toro Service Dealer is your sole remedy under this warranty.

Neither The Toro Company nor Toro Warranty Company is liable for indirect, incidental, or consequential damages in connection with the use of the Toro Products covered by these warranties, including any cost or expense of providing substitute equipment or service during reasonable periods of malfunction or non-use pending completion of repairs under these warranties.

All implied warranties of merchantability (that the product is fit for ordinary use) and fitness for use (that the product is fit for a particular purpose) are limited to the duration of the express warranty.

Some states do not allow exclusions of incidental or consequential damages, or limitations on how long an implied warranty lasts, so the above exclusions may not apply to you.

This warranty gives you specific legal rights, and you may also have other rights which vary from state to state.



Souffleuse à neige Power Max® 826 OE

N° de modèle 37772—N° de série 400010798 et suivants

Form No. 3407-112 Rev A

Manuel de l'utilisateur

Introduction

⚠ ATTENTION

CALIFORNIE

Proposition 65 - Avertissement

Ce produit contient une ou des substances chimiques considérées par l'état de Californie comme capables de provoquer des cancers, des anomalies congénitales ou d'autres troubles de la reproduction.

Les gaz d'échappement de ce produit contiennent des substances chimiques considérées par l'état de Californie comme susceptibles de provoquer des cancers, des malformations congénitales et autres troubles de la reproduction.

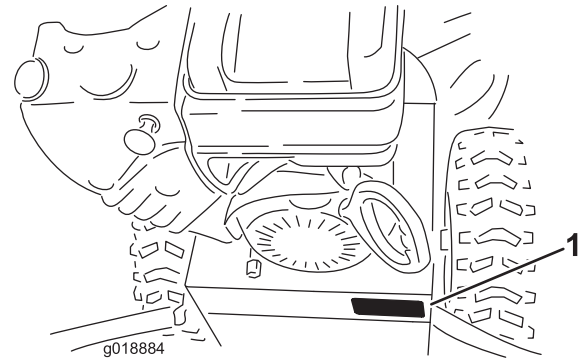


Figure 1

1. Emplacement des numéros de modèle et de série

N° de modèle _____

N° de série _____

Cette machine est destinée au grand public, aux professionnels et aux utilisateurs temporaires. Elle est conçue pour déblayer la neige sur les surfaces revêtues, telles allées et trottoirs, et autres surfaces de circulation des propriétés résidentielles et commerciales. Elle n'est pas conçue pour enlever autre chose que la neige et n'est pas non plus équipée d'une lame pivotante pour le nettoyage du gravier.

Lisez attentivement cette notice pour apprendre comment utiliser et entretenir correctement votre machine, et éviter de l'endommager ou de vous blesser. Vous êtes responsable de l'utilisation sûre et correcte de la machine.

Vous pouvez contacter Toro directement à www.Toro.com pour tout renseignement concernant la machine ou un accessoire, pour obtenir l'adresse des dépositaires ou pour enregistrer votre machine.

Pour obtenir des prestations de service, des pièces Toro d'origine ou des renseignements complémentaires, munissez-vous des numéros de modèle et de série du produit et contactez un dépositaire-réparateur ou le service client Toro agréé. La Figure 1 indique l'emplacement des numéros de modèle et de série de la machine. Inscrivez les numéros dans l'espace réservé à cet effet.

Les mises en garde de ce manuel soulignent des dangers potentiels et sont signalées par le symbole de sécurité (Figure 2), qui indique un danger pouvant entraîner des blessures graves ou mortelles si les précautions recommandées ne sont pas respectées.



Figure 2

1. Symbole de sécurité

Ce manuel utilise deux termes pour faire passer des renseignements essentiels. **Important**, pour attirer l'attention sur des renseignements mécaniques spécifiques et **Remarque**, pour insister sur des renseignements d'ordre général méritant une attention particulière.

Important: Si vous utilisez la machine au-dessus de 1 500 m (5 000 pi) pendant une période continue, veillez à installer le kit pour haute altitude pour que le moteur réponde aux normes antipollution CARB/EPA. Le kit pour haute altitude accroît les performances du moteur tout en prévenant l'encrassement des bougies, les difficultés de démarrage et l'augmentation des émissions polluantes. Après avoir installé le kit, apposez l'étiquette de haute altitude près de l'autocollant du numéro de série sur la machine. Contactez un dépositaire-réparateur Toro agréé pour vous procurer le kit pour haute altitude et l'étiquette associée pour votre



machine. Pour trouver le dépositaire le plus proche, consultez notre site web à www.Toro.com ou contactez le service client de Toro au(x) numéro(s) indiqué(s) dans votre Déclaration de garantie de conformité à la réglementation antipollution.

Déposez le kit du moteur et rétablissez la configuration d'origine du moteur si vous devez utiliser la machine en dessous de 1 500 m (5 000 pi). Si le moteur a été converti pour l'usage à haute altitude, ne le faites pas tourner à plus basse altitude, au risque de le faire surchauffer et de l'endommager.

En cas de doute concernant la conversion de votre machine pour l'usage à haute altitude, consultez l'étiquette suivant (Figure 3).

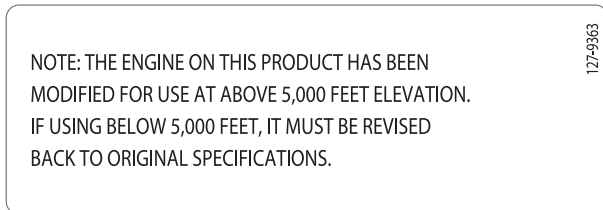


Figure 3

Ce système d'allumage par étincelle est conforme à la norme canadienne ICES-002.

Table des matières

Introduction	1
Sécurité	2
Autocollants de sécurité et d'instruction	3
Mise en service	5
1 Montage de la partie supérieure du guidon	5
2 Montage de la tringlerie de commande de déplacement.....	6
3 Montage de la goulotte	7
4 Montage de la tige d'orientation de la goulotte.....	7
5 Contrôle du niveau d'huile moteur	8
6 Contrôle de la pression des pneus	8
7 Contrôle de la lame racleuse et des patins	8
8 Contrôle du fonctionnement de la transmission.....	8
Vue d'ensemble du produit	10
Utilisation	10
Avant l'utilisation	10
Sécurité.....	10
Fonctionnement en roue libre ou utilisation de l'autotraction.....	11
Remplissage du réservoir de carburant.....	11
Pendant l'utilisation	11
Sécurité.....	11
Démarrage du moteur.....	12
Arrêt du moteur	14

Fonctionnement de la transmission aux roues.....	14
Utilisation du sélecteur de vitesses.....	14
Utilisation de la commande de fraise à neige/turbine	15
Utilisation du levier Quick Stick®	15
Dégagement de la goulotte	16
Conseils d'utilisation	16
Après l'utilisation	17
Sécurité.....	17
Prévention du blocage par le gel après utilisation.....	17
Entretien	18
Programme d'entretien recommandé	18
Consignes de sécurité pendant l'entretien	18
Préparation à l'entretien.....	18
Contrôle du niveau d'huile moteur	19
Contrôle et réglage des patins et de la lame racleuse	19
Contrôle et réglage du câble de commande de déplacement.....	19
Contrôle et réglage du câble de commande de la vis sans fin/turbine.....	20
Contrôle du niveau d'huile dans le boîtier d'engrenages de la vis sans fin	21
Vidange de l'huile moteur	21
Graissage de l'arbre hexagonal.....	22
Remplacement de la bougie.....	22
Réglage du verrou de la goulotte	23
Remplacement des courroies d'entraînement	23
Remisage	24
Préparation de la machine au remisage	24
Remise en service après remisage	24
Dépistage des défauts	25

Sécurité

Cette machine est conforme aux spécifications de la norme ANSI B71.3 en vigueur au moment de la production.

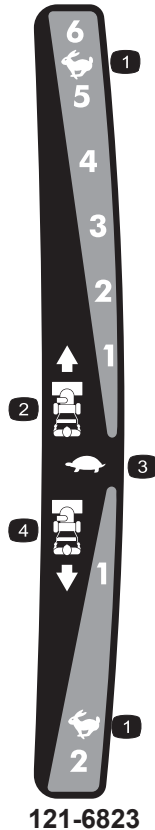
- Vous devez lire et comprendre le contenu de ce *manuel de l'utilisateur* avant de démarrer le moteur. Assurez-vous que tous les utilisateurs de ce produit en connaissent le maniement et comprennent les mises en garde.
- N'approchez pas les mains ou les pieds des composants mobiles de la machine.
- N'utilisez pas la machine si tous les capots et autres dispositifs de protection appropriés ne sont pas en place et en bon état de marche.
- Ne vous tenez pas devant l'ouverture d'éjection. Tenez tout le monde à une distance suffisante de la machine.
- N'admettez pas les enfants dans la zone de travail. Ne confiez jamais l'utilisation de la machine à un enfant.
- Coupez le moteur avant de déboucher, de faire l'entretien ou de faire le plein de la machine.

Vous trouverez d'autres consignes de sécurité dans les diverses sections de ce manuel.

Autocollants de sécurité et d'instruction



Les autocollants de sécurité et d'instruction sont placés près des endroits potentiellement dangereux. Remplacez les autocollants endommagés ou manquants.



121-6823

- | | |
|-----------------------------|-------------------------------|
| 1. Haut régime | 3. Bas régime |
| 2. Vitesses en marche avant | 4. Vitesses en marche arrière |



Briggs & Stratton Part No. 278866

- | | |
|------------|-------------|
| 1. Fuel—on | 2. Fuel—off |
|------------|-------------|



121-1239

Réf. 121-1215



121-6817

1. Risque de coupure/mutilation par la turbine et la vis sans fin
– Tenez les spectateurs à bonne distance de la souffleuse à neige.



121-1240

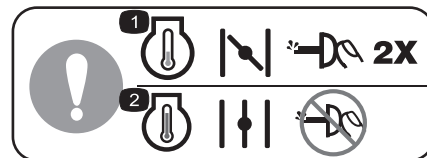
Réf. 120-7194

- | | |
|--|---|
| <p>1. Transmission aux roues – Serrez le levier pour l'engagement; desserrez le levier pour le désengagement.</p> <p>2. Attention – lisez le <i>Manuel de l'utilisateur</i>.</p> <p>3. Risque de coupe/mutilation par la turbine – Ne placez pas les mains dans la goulotte; coupez le moteur avant de quitter la position d'utilisation; dégagez la goulotte avec l'outil de nettoyage.</p> | <p>4. Risque de coupe/mutilation par la turbine – N'approchez pas des pièces en mouvement, enlevez la clé de contact et lisez les instructions avant de procéder à des entretiens ou des révisions.</p> <p>5. Risque de projection d'objets – tenez les spectateurs à bonne distance de la souffleuse à neige.</p> <p>6. Entraînement de la vis sans fin/turbine – serrer le levier pour l'engagement; desserrer le levier pour le désengagement.</p> |
|--|---|



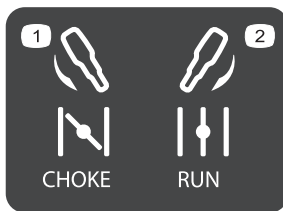
Réf. Briggs & Stratton 273676

- | | |
|---------------|----------------|
| 1. Arrêt | 3. Haut régime |
| 2. Bas régime | |



Réf. Briggs & Stratton 277566

- | | |
|---|--|
| 1. Pour démarrer le moteur à froid, fermez le starter et appuyez sur l'amorceur à trois reprises. | 2. Pour démarrer le moteur à chaud, ouvrez le starter et n'appuyez pas sur l'amorceur. |
|---|--|



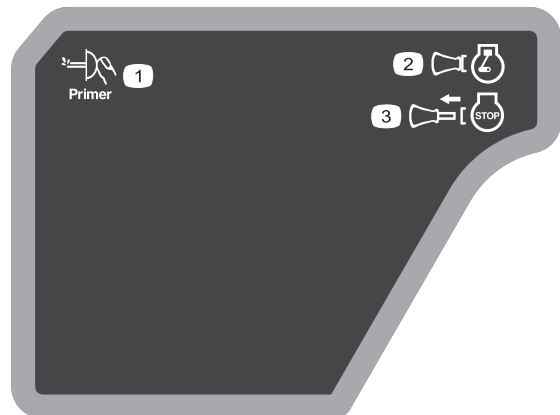
Réf. Briggs & Stratton 275949

- | | |
|--|----------------------------|
| 1. Starter fermé (starter sélectionné) | 2. Starter ouvert (marche) |
|--|----------------------------|



Réf. Briggs & Stratton 276925

- | | |
|--|---|
| 1. Attention – lisez le <i>Manuel de l'utilisateur</i> . | 3. Attention – risque d'intoxication par inhalation de gaz. |
| 2. Attention – risque d'incendie. | 4. Attention – surface chaude/risque de brûlure. |



Réf. Briggs & Stratton 277588

- | | |
|--|---|
| 1. Amorceur | 3. Clé de contact sortie (Moteur – Arrêt) |
| 2. Clé de contact en place (Moteur – Marche) | |

Mise en service

Pièces détachées

Reportez-vous au tableau ci-dessous pour vérifier si toutes les pièces ont été expédiées.

Procédure	Description	Qté	Utilisation
1	Boulon de guidon	2	Montage de la partie supérieure du guidon.
	Rondelle bombée	2	
	Contre-écrou	2	
2	Goupille fendue	2	Montage de la tringlerie de commande de déplacement.
	Rondelle plate	3	
3	Écrou	2	Montage de la goulotte.
	Boulon de carrosserie	2	
	Rondelle plate	2	
4	Boulon de carrosserie	2	Montage de la tige d'orientation de la goulotte.
	Contre-écrou	2	
5	Aucune pièce requise	–	Contrôle du niveau d'huile moteur.
6	Aucune pièce requise	–	Contrôle de la pression des pneus.
7	Aucune pièce requise	–	Contrôle de la lame racleuse et des patins.
8	Aucune pièce requise	–	Contrôle du fonctionnement de la transmission.

1

Montage de la partie supérieure du guidon

Pièces nécessaires pour cette opération:

2	Boulon de guidon
2	Rondelle bombée
2	Contre-écrou

Procédure

1. Soulevez et faites pivoter la partie supérieure du guidon pour la placer au-dessus de la partie inférieure (Figure 4).
2. Installez 2 boulons de guidon, 2 rondelles bombées et 2 contre-écrous dans les trous inférieurs du guidon (Figure 4).

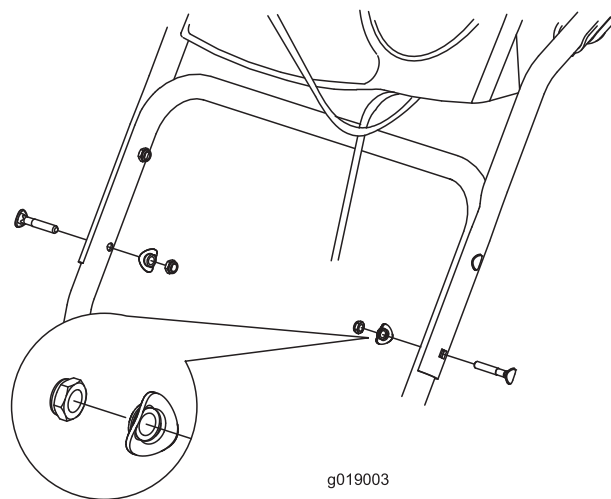


Figure 4

2

Montage de la tringlerie de commande de déplacement

Pièces nécessaires pour cette opération:

2	Goupille fendue
3	Rondelle plate

Procédure

1. Insérez l'extrémité dans le bras de liaison inférieur de sorte que l'extrémité courbe de la tige de commande de vitesse soit dirigée vers l'arrière (Figure 5).

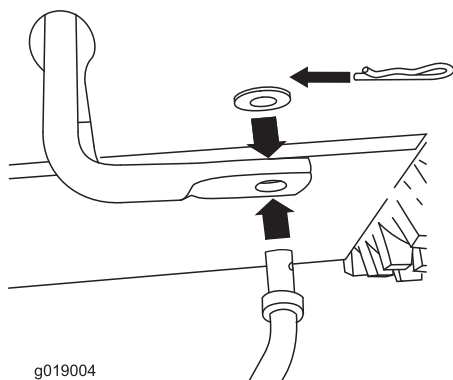


Figure 5

2. Fixez l'extrémité inférieure de la tige de commande de vitesse avec une rondelle plate et une goupille fendue (Figure 5).
3. Placez une rondelle plate sur le tourillon (Figure 6).

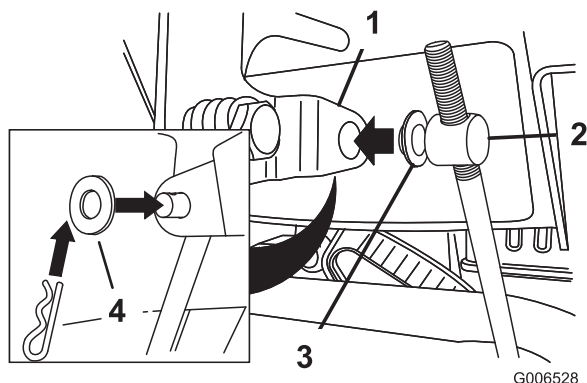


Figure 6

1. Levier sélecteur de vitesse
2. Tourillon
3. Rondelle intérieure
4. Rondelle extérieure

4. Placez le sélecteur de vitesses à la position R2.

5. Tournez le bras de liaison inférieur complètement vers le haut (sens antihoraire), comme montré à la Figure 7.

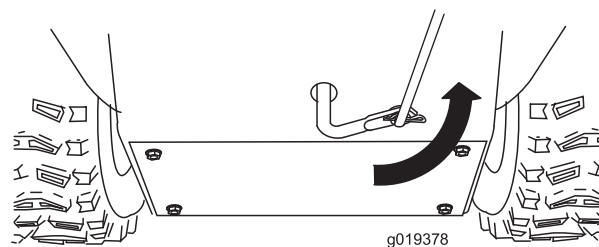


Figure 7

6. Tirez la tige de commande de vitesse et insérez le tourillon dans le trou du levier sélecteur de vitesses (Figure 6).

Remarque: Si le tourillon ne rentre pas dans le trou lorsque vous soulevez la tige de commande de vitesses, tournez-le en haut ou en bas sur la tige jusqu'à ce qu'il rentre dans le trou.

7. Fixez le tourillon et l'extrémité supérieure de la tige de commande de vitesse avec une rondelle et une goupille fendue.

Remarque: Pour faciliter l'installation, regardez par l'ouverture du sélecteur de vitesses (Figure 8).

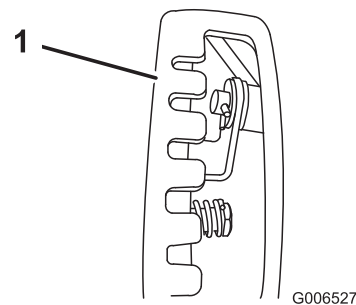


Figure 8

1. Levier de changement de vitesses

3

Montage de la goulotte

Pièces nécessaires pour cette opération:

2	Écrou
2	Boulon de carrosserie
2	Rondelle plate

Procédure

1. Placez la goulotte sur le cadre et alignez la patte de montage sur le support de la goulotte.

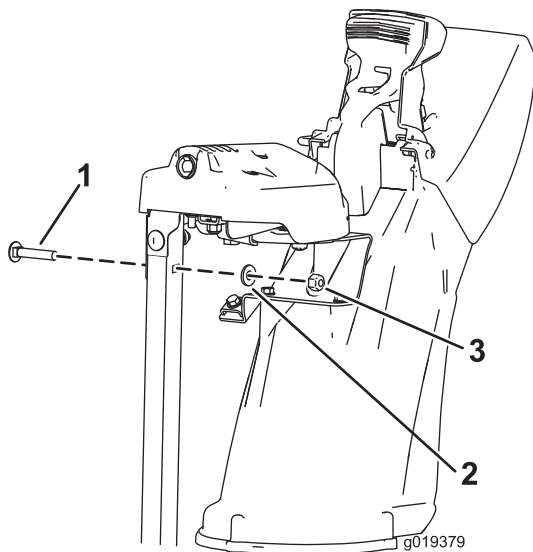


Figure 9

1. Boulon de carrosserie
2. Rondelle plate
3. Écrou

2. Fixez le support de la goulotte à l'aide de 2 boulons, 2 écrous et 2 rondelles plates.

4

Montage de la tige d'orientation de la goulotte

Pièces nécessaires pour cette opération:

2	Boulon de carrosserie
2	Contre-écrou

Procédure

1. Déballez le levier Quick Stick et faites-le pivoter pour le redresser et le centrer.
2. Appuyez sur le déclencheur bleu et tirez le levier à fond en arrière.

Remarque: La goulotte et le déflecteur doivent être tournés vers l'avant. Si ce n'est pas le cas, maintenez le déclencheur bleu enfoncé (mais sans bouger le levier Quick Stick) et tournez la goulotte jusqu'à ce qu'ils soient orientés correctement.

3. Alignez l'extrémité plate arrière de la longue tige d'orientation de la goulotte sur l'extrémité plate avant de la tige courte qui part du panneau de commande, de façon à les engager l'une dans l'autre (Figure 10).

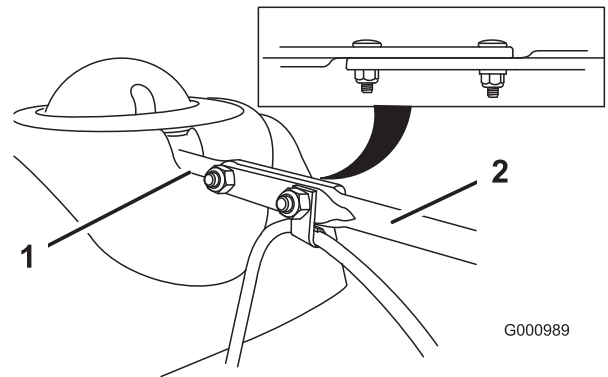


Figure 10

1. Tige courte
2. Tige longue

4. Insérez l'avant de la tige dans l'ouverture au dos du couvercle du secteur denté de la goulotte jusqu'à ce qu'il glisse dans le secteur denté (Figure 11).

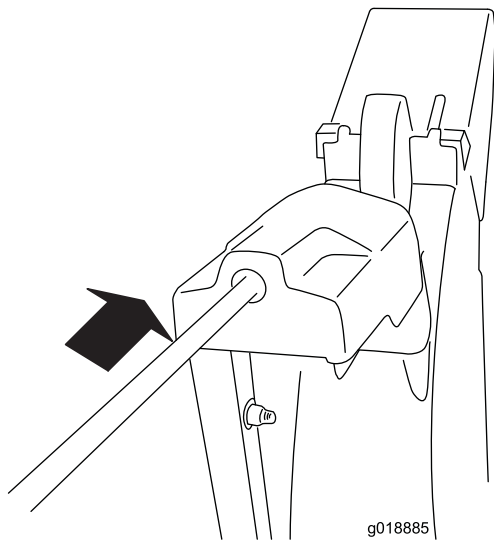


Figure 11

5. Alignez les trous des extrémités réunies des tiges et insérez 2 boulons de carrosserie (pris dans le sachet de pièces détachées) dans la tige courte par le côté gauche de la machine (vu de la position d'utilisation).
6. Insérez le serre-câble qui supporte le câble du déflecteur sur le boulon avant et fixez les boulons au moyens de contre-écrous fournis dans le sachet de pièces détachées (Figure 12).

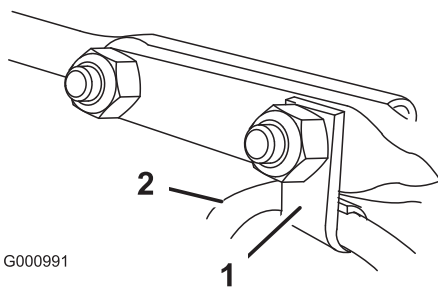


Figure 12

1. Serre-câble
2. Câble de déflecteur

7. Maintenez le déclencheur bleu enfoncé et faites effectuer un cercle au levier Quick Stick pour vérifier le bon fonctionnement de la goulotte et du déflecteur.

5

Contrôle du niveau d'huile moteur

Aucune pièce requise

Procédure

Remarque: À la livraison de la machine, le carter moteur contient de l'huile. Avant de mettre le moteur en marche, vérifiez le niveau d'huile moteur et faites l'appoint si nécessaire.

Voir [Contrôle du niveau d'huile moteur \(page 19\)](#).

6

Contrôle de la pression des pneus

Aucune pièce requise

Procédure

Les pneus sont surgonflés à l'usine pour l'expédition. Avant d'utiliser la machine, réduisez la pression des deux pneus à une même valeur comprise entre 1,16 et 1,37 bar (17 et 20 psi).

7

Contrôle de la lame racleuse et des patins

Aucune pièce requise

Procédure

Voir [Contrôle et réglage des patins et de la lame racleuse \(page 19\)](#).

8

Contrôle du fonctionnement de la transmission

Aucune pièce requise

Procédure

⚠ PRUDENCE

Si la transmission n'est pas réglée correctement, la machine risque de se déplacer dans la direction opposée à celle recherchée, et de causer des blessures et/ou des dommages matériels.

Vérifiez soigneusement la transmission et réglez-la au besoin.

Remarque: Pour vérifier le fonctionnement de la transmission, l'autotraction doit être engagée en vous assurant que les roues sont bien bloquées dans l'essieu. Voir [Fonctionnement en roue libre ou utilisation de l'autotraction \(page 11\)](#).

1. Démarrez le moteur; voir [Démarrage du moteur \(page 12\)](#).
2. Placez le sélecteur de vitesse à la position R1; voir [Utilisation du sélecteur de vitesses \(page 14\)](#).
3. Serrez le levier gauche (déplacement) contre la poignée ([Figure 13](#)).

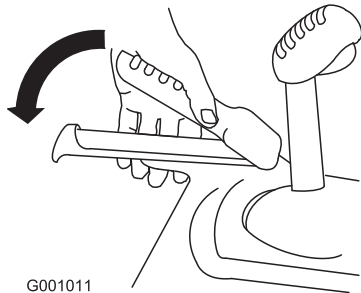


Figure 13

La machine devrait reculer. Si ce n'est pas le cas, ou si la machine se déplace en avant, procédez comme suit :

- A. Relâchez le levier de commande de déplacement et coupez le moteur.
- B. Retirez le tourillon du sélecteur de vitesses ([Figure 6](#)).
- C. Tournez le tourillon vers le bas (sens horaire) sur la tige de commande de vitesse ([Figure 6](#)).

D. Remettez le tourillon sur le sélecteur de vitesses ([Figure 6](#)).

4. Relâchez le levier de commande de déplacement.
5. Placez le sélecteur de vitesse à la position 1; voir [Utilisation du sélecteur de vitesses \(page 14\)](#).
6. Serrez le levier gauche (déplacement) contre la poignée ([Figure 13](#)).

La machine devrait avancer. Si la machine ne bouge pas ou se déplace en arrière, procédez comme suit :

- A. Relâchez le levier de commande de déplacement et coupez le moteur.
 - B. Retirez le tourillon du sélecteur de vitesses ([Figure 6](#)).
 - C. Tournez le tourillon vers le haut (sens antihoraire) sur la tige de commande de vitesse ([Figure 6](#)).
 - D. Remettez le tourillon sur le sélecteur de vitesses ([Figure 6](#)).
7. Recommencez cette procédure jusqu'à ce qu'aucun réglage supplémentaire ne soit requis.

Important: Si la machine se déplace alors que le levier de commande de déplacement est desserré, vérifiez le câble de commande de déplacement (voir [Contrôle et réglage du câble de commande de déplacement \(page 19\)](#)) ou portez la machine chez un réparateur agréé pour la faire réviser.

Vue d'ensemble du produit

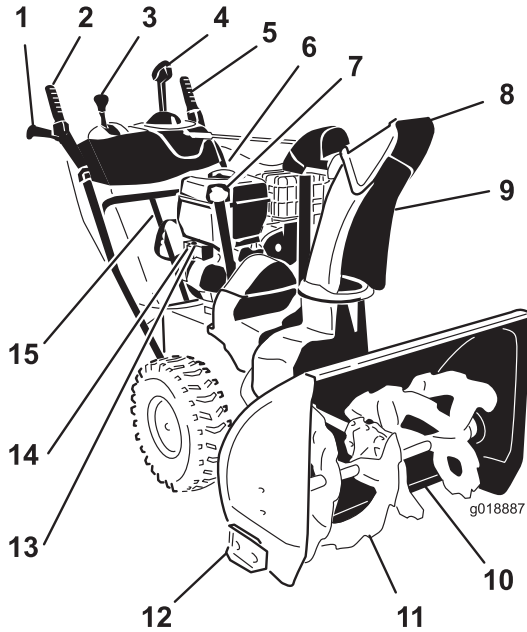


Figure 14

- | | |
|---|------------------------------------|
| 1. Poignée (2) | 9. Goulotte |
| 2. Entraînement de la vis sans fin/turbine | 10. Lame racleuse |
| 3. Levier sélecteur de vitesse | 11. Vis sans fin |
| 4. Commande d'orientation de la goulotte Quick Stick® | 12. Patin (2) |
| 5. Levier de commande de déplacement | 13. Bouton de démarrage électrique |
| 6. Bouchon du réservoir de carburant | 14. Prise de démarrage électrique |
| 7. Tube de remplissage d'huile/jauge de niveau | 15. Outil de déneigement |
| 8. Déflecteur de goulotte | |

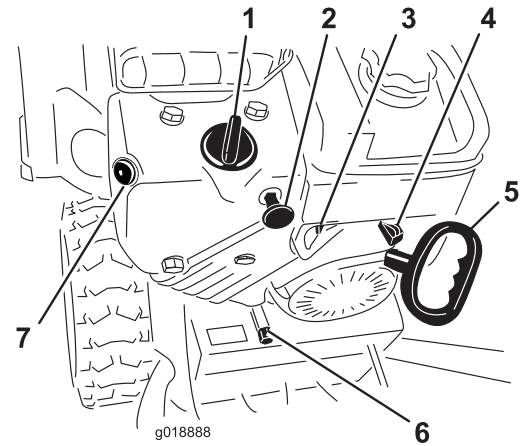


Figure 15

- | | |
|-----------------------------------|-------------------------------|
| 1. Starter | 5. Poignée du lanceur |
| 2. Commutateur d'allumage | 6. Bouchon de vidange d'huile |
| 3. Robinet d'arrivée de carburant | 7. Amorceur |
| 4. Commande d'accélérateur | |

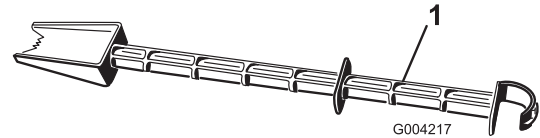


Figure 16

1. Outil de déneigement (attaché au guidon)

Utilisation

Avant l'utilisation

Sécurité

- Utilisez des rallonges et des prises spécifiées par le fabricant pour toutes les machines équipées de démarreurs électriques.
- N'utilisez jamais la machine sans porter des vêtements d'hiver adaptés. Ne portez pas de vêtements amples qui risquent de s'accrocher dans les pièces mobiles. Portez des chaussures solides à semelle antidérapante offrant une bonne prise sur les surfaces glissantes.
- Portez toujours des lunettes de sécurité ou une protection oculaire lorsque vous utilisez la machine, et lors de tout réglage ou toute réparation afin de vous protéger les yeux des objets pouvant être projetés par la machine.
- Inspectez soigneusement la zone de travail et enlevez tous les pailleçons, traîneaux, planches, fils de fer ou autres objets qui s'y trouvent.
- Si un déflecteur, un dispositif de sécurité ou un autocollant manque, est endommagé ou illisible, réparez

ou remplacez-le avant d'utiliser la machine. Resserrez également les fixations qui en ont besoin.

Fonctionnement en roue libre ou utilisation de l'autotraction

La souffleuse à neige peut être utilisée en roue libre ou en autopropulsion.

Pour déplacer la machine en roue libre, glissez les roues vers l'intérieur et insérez les goupilles dans les trous de l'essieu, mais pas dans les moyeux (Figure 17).

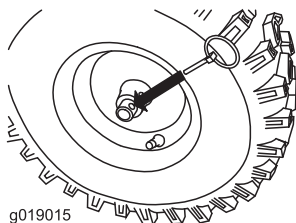


Figure 17

Pour que la machine se propulse automatiquement, insérez la goupille dans les trous des moyeux de roue et dans les trous intérieurs des essieux (Figure 18).

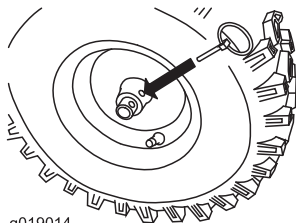


Figure 18

Remplissage du réservoir de carburant

- Pour assurer le fonctionnement optimal de la machine, utilisez uniquement de l'essence sans plomb propre et fraîche avec un indice d'octane de 87 ou plus (méthode de calcul $[R+M]/2$).
- L'utilisation de carburant oxygéné contenant jusqu'à 10 % d'éthanol ou 15 % de MTBE par volume est acceptable.
- N'utilisez **pas** de mélanges d'essence à l'éthanol (E15 ou E85 par exemple) avec plus de 10 % d'éthanol par volume. Cela peut entraîner des problèmes de performances et/ou des dommages au moteur qui peuvent ne pas être couverts par la garantie.
- N'utilisez **pas** d'essence contenant du méthanol.
- Ne stockez **pas** le carburant dans le réservoir ou dans des bidons de carburant pendant l'hiver, à moins d'utiliser un stabilisateur de carburant.
- N'ajoutez **pas** d'huile à l'essence.

Important: Pour réduire les problèmes de démarrage, ajoutez un stabilisateur à chaque plein et utilisez de l'essence stockée depuis moins d'un mois.



Figure 19

1. Ne remplissez le réservoir de carburant au-dessus du goulot de remplissage.

Pendant l'utilisation

Sécurité

- **Les lames de la vis sans fin peuvent infliger des blessures aux mains et aux doigts.** Restez derrière le guidon et n'approchez pas de l'ouverture d'éjection durant l'utilisation de la machine. **N'approchez pas le visage, les mains, les pieds et toute autre partie du corps ou vos vêtements des pièces mobiles ou rotatives.**
- Ne dirigez jamais l'éjection vers des personnes ou des endroits qui pourraient subir des dommages matériels.
- Faites attention de ne pas glisser ou tomber. Veillez à ne pas perdre l'équilibre et tenez bien les poignées du guidon. Avancez toujours à une allure normale, ne courez pas.
- Soyez extrêmement prudent sur un terrain en pente.
- N'utilisez jamais la machine à moins de disposer d'une visibilité et d'un éclairage suffisants.
- Regardez derrière vous et soyez très prudent lorsque vous faites marche arrière.
- Désengagez la vis sans fin lorsque vous ne débroyez pas la neige activement.
- Utilisez des rallonges et des prises spécifiées par le fabricant pour toutes les machines équipées de démarreurs électriques.
- N'essayez pas de débroyer les surfaces couvertes de cailloux ou de gravier. Ce produit est uniquement destiné aux surfaces revêtues.

- N'utilisez pas la machine sur un toit.
- N'entreprenez jamais de réglages lorsque le moteur est en marche, sauf si fabricant le demande expressément.
- Faites attention aux dangers cachés et à la circulation.
- Après avoir heurté un obstacle, coupez le moteur, enlevez la clé de contact et vérifiez soigneusement l'état de la machine. Effectuez les réparations éventuellement nécessaires avant de redémarrer et de reprendre le travail.
- Si la machine se met à vibrer de façon anormale, coupez le moteur et cherchez-en immédiatement la cause.
- Ne faites pas tourner le moteur à l'intérieur, sauf pour faire démarrer la machine et la rentrer ou la sortir du bâtiment. Ouvrez les portes vers l'extérieur pour aérer, car les gaz d'échappement sont dangereux.
- Ne surchargez pas la machine en essayant de déblayer trop vite.
- Ne touchez jamais le moteur ou le silencieux s'il est chaud.
- Examinez soigneusement le cordon d'alimentation avant de le brancher à une source d'alimentation. Si le cordon est endommagé, ne l'utilisez pas pour démarrer la machine. Remplacez immédiatement le cordon d'alimentation s'il est endommagé. Débranchez le cordon d'alimentation quand la machine ne sert pas.

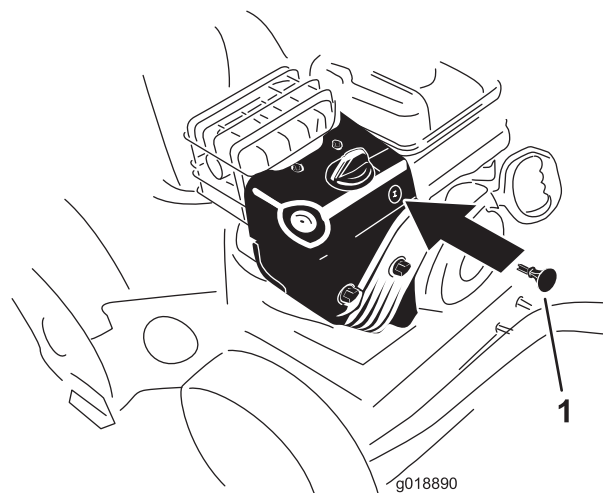


Figure 21

1. Clé de contact

4. Appuyez fermement sur l'amorceur avec le pouce comme indiqué dans le tableau ci-dessous, en marquant une pause d'une seconde chaque fois (Figure 22).

Température	Nombre d'amorçages suggéré
-9 °C (15 °F) et dessus	2
Au-dessous de -9 °C (15 °F)	4

Démarrage du moteur

1. Contrôlez le niveau d'huile moteur. Reportez-vous à [Contrôle du niveau d'huile moteur](#) (page 19).
2. Ouvrez le robinet de carburant en le tournant de 1/4 de tour dans le sens antihoraire (Figure 20).

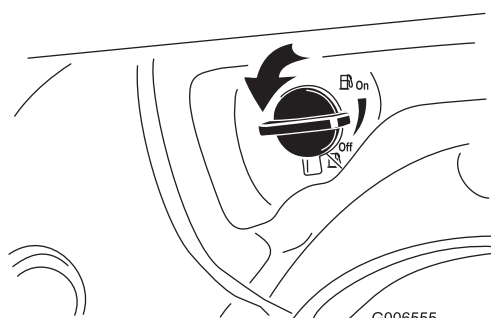


Figure 20

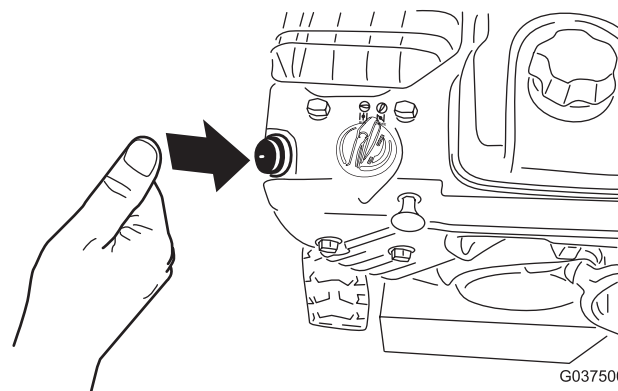


Figure 22

5. Tournez la commande de starter à la position STARTER SÉLECTIONNÉ (Figure 23).

3. Insérez la clé de contact dans le commutateur d'allumage (Figure 21).

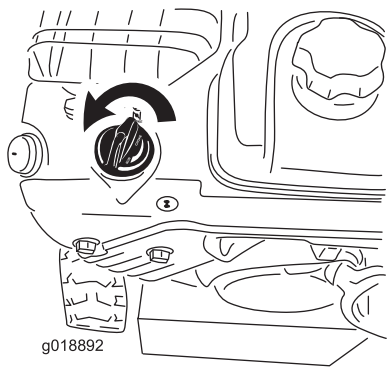


Figure 23

6. Placez la commande d'accélérateur en position HAUT RÉGIME (Figure 24).

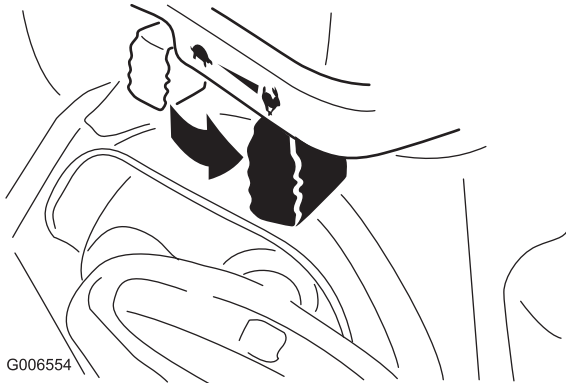


Figure 24

7. Démarrez la machine en tirant sur le lanceur ou en appuyant sur le bouton de démarrage électrique (Figure 25).

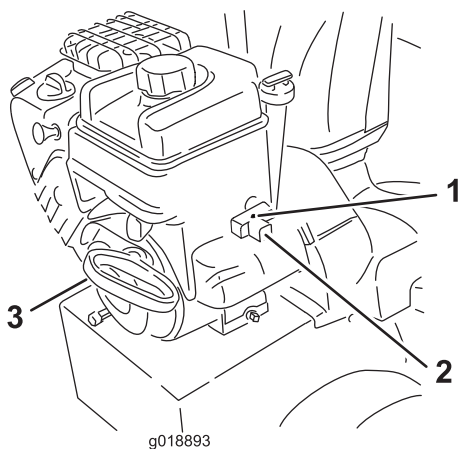


Figure 25

- | | |
|-----------------------------------|-----------------------|
| 1. Bouton de démarrage électrique | 3. Poignée du lanceur |
| 2. Prise de démarrage électrique | |

Pour utiliser le démarreur électrique (démarrage électrique seulement), connectez un cordon d'alimentation d'abord à la prise de démarrage

électrique, puis à la prise d'un disjoncteur de fuite de terre (GFCI). Utilisez uniquement un cordon d'alimentation homologué UL de calibre 16 recommandé pour l'utilisation à l'extérieur et de 15 m (50 pi) de longueur maximum.

Important: N'utilisez pas le cordon d'alimentation s'il est usé ou endommagé.

⚠ ATTENTION

Le cordon d'alimentation peut être endommagé et provoquer un choc électrique ou un incendie.

Examinez soigneusement la rallonge avant d'utiliser la machine. Si la rallonge est endommagée, n'utilisez pas la machine. Réparez ou remplacez immédiatement le cordon d'alimentation s'il est endommagé. Adressez-vous à un réparateur agréé.

Important: Pour éviter d'endommager le démarreur électrique, ne l'actionnez que brièvement (5 secondes maximum, puis attendez une minute avant de recommencer). Si le moteur ne démarre toujours pas, portez la machine chez un dépositaire-réparateur Toro agréé pour la faire réviser.

8. Débranchez le cordon d'alimentation, d'abord de la prise puis de la machine (démarrage électrique seulement).
9. Laissez chauffer le moteur quelques minutes; tournez la commande de starter vers la position MARCHÉ. Attendez que le moteur tourne régulièrement avant de modifier le réglage du starter.

⚠ PRUDENCE

Si vous laissez la machine branchée à une prise secteur, elle risque d'être mise en marche accidentellement, et de blesser quelqu'un ou de causer des dommages matériels.

Débranchez le cordon d'alimentation quand la machine ne sert pas.

Arrêt du moteur

1. Déplacez la commande d'accélérateur en position BAS RÉGIME, puis en position ARRÊT (Figure 26).



Figure 26

2. Attendez l'arrêt de toutes les pièces en mouvement avant de quitter la position de conduite.
3. Enlevez la clé de contact.
4. Fermez le robinet de carburant en le tournant dans le sens horaire (Figure 27).

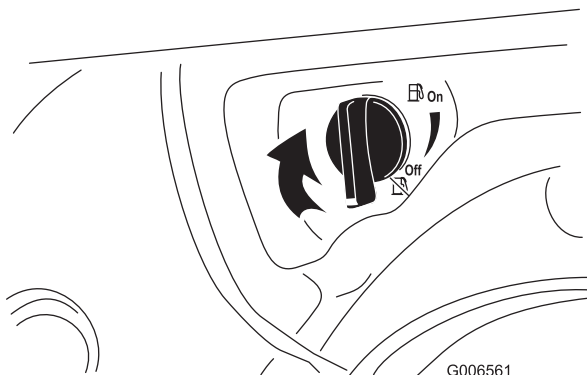


Figure 27

5. Tirez sur le lanceur à 3 ou 4 reprises. Ceci aide à éviter le gel du lanceur.

Fonctionnement de la transmission aux roues

⚠ PRUDENCE

Si la transmission n'est pas réglée correctement, la machine risque de se déplacer dans la direction opposée à celle recherchée, et de causer des blessures et/ou des dommages matériels.

Vérifiez soigneusement la transmission et réglez-la au besoin; voir [8 Contrôle du fonctionnement de la transmission \(page 8\)](#) pour plus de renseignements.

Important: Si la machine se déplace alors que le levier de commande de déplacement est desserré, vérifiez le câble de commande de déplacement (voir [Contrôle et réglage du câble de commande de déplacement \(page 19\)](#)) ou portez la machine chez un dépositaire-réparateur agréé pour la faire réviser.

1. Pour engager la transmission aux roues, serrez le levier gauche (déplacement) contre la poignée (Figure 28).

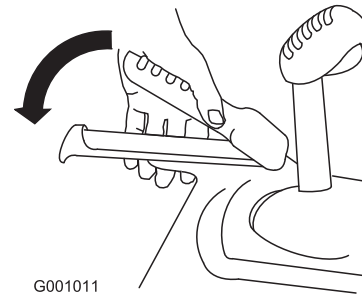


Figure 28

2. Pour arrêter le déplacement de la machine, relâchez le levier.

Utilisation du sélecteur de vitesses

Le sélecteur permet de sélectionner 6 vitesses en marche avant et 2 en marche arrière. Pour changer de vitesse, relâchez le levier de commande de déplacement et placez le sélecteur à la position voulue (Figure 29). Le levier s'engage dans un cran pour chaque vitesse choisie.

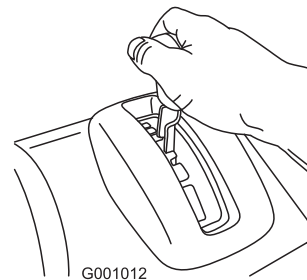


Figure 29

Utilisation de la commande de fraise à neige/turbine

1. Pour engager la vis sans fin/turbine, serrez le levier droit (vis sans fin/turbine) contre la poignée (Figure 30).

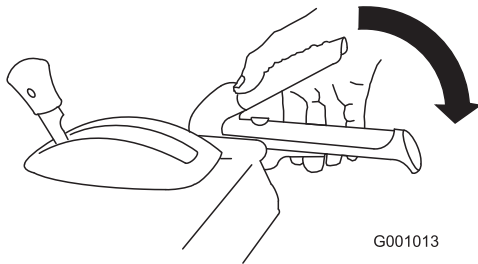


Figure 30

2. Relâchez le levier droit pour arrêter la vis sans fin et la turbine.

Important: Lorsque vous engagez à la fois le levier de commande de la vis sans fin/turbine et le levier de commande de déplacement, ce dernier bloque le levier de la vis sans fin/turbine, ce qui libère votre main droite. Pour relâcher les deux leviers, il suffit de relâcher le levier gauche (déplacement).

3. Si la vis sans fin et la turbine continuent de tourner après que vous avez relâché le levier de commande, n'utilisez pas la machine. Contrôlez le câble de commande de la vis sans fin/turbine (voir [Contrôle et réglage du câble de commande de la vis sans fin/turbine \(page 20\)](#)) et réglez-le au besoin. Sinon, portez la machine chez un dépositaire-réparateur agréé pour la faire réviser.

⚠ ATTENTION

Si la vis sans fin et la turbine continuent de tourner après que vous avez relâché le levier de commande de la vis sans fin/turbine, n'utilisez pas la machine. Vous pourriez vous blesser gravement ou blesser d'autres personnes.

Portez-la chez un dépositaire-réparateur Toro agréé pour la faire réviser.

Utilisation du levier Quick Stick®

Appuyez de façon continue sur le déclencheur bleu pour utiliser le levier Quick Stick afin de déplacer la goulotte et son déflecteur. Relâchez le déclencheur pour bloquer la goulotte et le déflecteur en position (Figure 31).

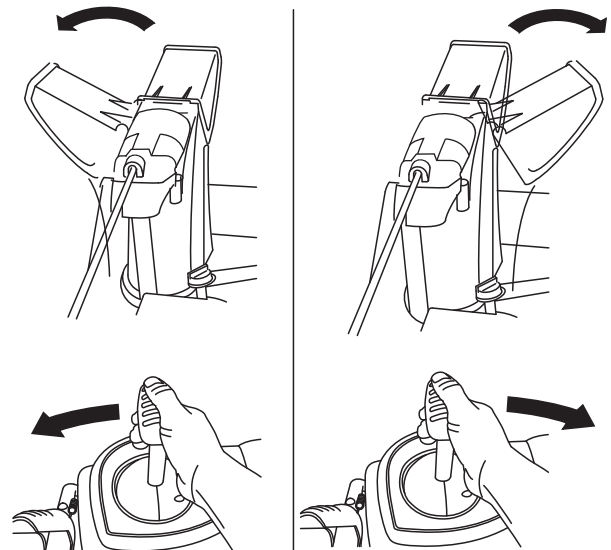


G001014

Figure 31

Déplacement de la goulotte

Appuyez de façon continue sur le déclencheur bleu puis déplacez le levier Quick Stick vers la gauche pour orienter la goulotte à gauche, ou vers la droite pour orienter la goulotte à droite (Figure 32).



g018894

Figure 32

- Si la goulotte ne bouge pas, voir [Réglage du verrou de la goulotte \(page 23\)](#).
- Si la goulotte ne tourne pas autant à gauche qu'à droite, vérifiez que le câble passe à l'intérieur du guidon. Voir [1 Montage de la partie supérieure du guidon \(page 5\)](#).
- Si la goulotte ne se bloque pas en position quand vous relâchez le déclencheur, voir [Réglage du verrou de la goulotte \(page 23\)](#).

Déplacement du déflecteur

Maintenez le déclencheur bleu enfoncé et déplacez le levier Quick Stick vers l'avant pour abaisser le déflecteur, ou vers l'arrière pour l'élever (Figure 33).

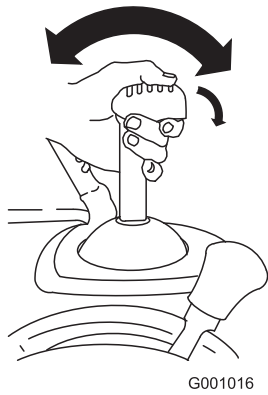


Figure 33

Dégagement de la goulotte

⚠ ATTENTION

Si la vis sans fin/turbine fonctionne mais que la neige n'est pas éjectée, la goulotte est peut-être bouchée.

N'utilisez jamais vos mains pour déboucher la goulotte si elle est obstruée. Vous pourriez vous blesser.

- Pour déboucher la goulotte, restez à la position d'utilisation et débloquez le levier (de déplacement) gauche. La vis sans fin/turbine étant en marche, appuyez sur les poignées du guidon pour soulever l'avant de la machine de quelques centimètres (pouces). Soulevez ensuite le guidon rapidement pour cogner le sol avec l'avant de la machine. Répétez cette procédure au besoin jusqu'à ce que la neige sorte régulièrement par la goulotte.
- S'il est impossible de déboucher la goulotte en cognant l'avant de la machine sur le sol, **coupez le moteur, attendez l'arrêt complet de toutes les pièces mobiles, puis dégagez l'obstruction à l'aide d'un outil de nettoyage et jamais avec la main.**

Important: Les patins peuvent être déplacés si vous cognez l'avant de la machine sur le sol pour déboucher la goulotte. Réglez les patins et serrez leurs boulons fermement.

Conseils d'utilisation

⚠ DANGER

Quand la machine est en marche, la vis sans fin et la turbine tournent et peuvent blesser ou sectionner les mains ou les pieds.

- Avant de régler, nettoyer, contrôler, dépanner ou réparer la machine, coupez le moteur et attendez l'arrêt complet de toutes les pièces mobiles. Débranchez le fil de la bougie et éloignez-le pour éviter tout risque de démarrage accidentel.
- Retirez l'obstruction de la goulotte; voir [Dégagement de la goulotte \(page 16\)](#). Le cas échéant, dégagez la goulotte à l'aide de l'outil de nettoyage, jamais avec la main.
- Restez derrière le guidon et n'approchez pas de l'ouverture d'éjection durant l'utilisation de la machine.
- Gardez les pieds, les mains, le visage et toute autre partie du corps ou les vêtements à l'écart des pièces cachées, mobiles ou en rotation.

⚠ ATTENTION

Des pierres, des jouets ou d'autres objets peuvent être ramassés et projetés par la turbine et blesser gravement l'utilisateur ou des personnes à proximité.

- Ne laissez pas d'objets susceptibles d'être ramassés et projetés par la vis sans fin dans la zone à déblayer.
- Tenez les enfants et les animaux domestiques à l'écart de la zone de travail.
- Réglez toujours la commande d'accélérateur sur HAUT RÉGIME pour déblayer la neige.
- Si le moteur ralentit sous l'effet d'une charge ou si les roues patinent, sélectionnez une vitesse plus basse.
- Si l'avant de la machine se soulève, sélectionnez une vitesse plus basse. Si l'avant continue de se soulever, soulevez la machine par les poignées.

Après l'utilisation

Sécurité

- Ne remisez jamais une machine dont le réservoir contient du carburant dans un local contenant des sources possibles d'inflammation, telles que chaudières, radiateurs, sècheurs à linge, etc. Laissez refroidir le moteur avant de ranger la machine dans un local fermé.
- Si vous remisez la machine plus d'un mois, reportez-vous à la section [Remisage \(page 24\)](#) pour prendre connaissance de détails importants.

Prévention du blocage par le gel après utilisation

- Dans certaines conditions enneigées et par temps froid, certaines commandes et pièces mobiles peuvent être bloquées par le gel. **Ne forcez jamais sur les commandes pour les faire fonctionner lorsqu'elles sont gelées.** Si certaines commandes ou pièces sont difficiles à utiliser, mettez le moteur en marche et laissez-le tourner quelques minutes.
- Après utilisation de la machine, laissez tourner le moteur quelques minutes pour éviter que les pièces mobiles ne soient bloquées par le gel. Engagez la vis sans fin/turbine pour évacuer toute la neige encore présente dans le carénage. Tournez le levier Quick Stick pour l'empêcher d'être bloqué par le gel. Coupez le moteur, attendez l'arrêt de toutes les pièces mobiles et enlevez toute la glace et la neige qui se trouvent sur la machine.
- Une fois le moteur arrêté, tirez sur le lanceur à plusieurs reprises et appuyez une fois sur le bouton du démarreur électrique pour empêcher le démarreur électrique et le lanceur de geler.

Entretien

Remarque: Les côtés gauche et droit de la machine sont déterminés d'après la position d'utilisation normale.

Programme d'entretien recommandé

Périodicité d'entretien	Procédure d'entretien
Après les 2 premières heures de fonctionnement	<ul style="list-style-type: none">• Contrôlez et réglez le câble de commande de déplacement au besoin.• Contrôlez et réglez le câble de commande de la vis sans fin/turbine au besoin.
Après les 5 premières heures de fonctionnement	<ul style="list-style-type: none">• Vidangez l'huile moteur.
À chaque utilisation ou une fois par jour	<ul style="list-style-type: none">• Contrôlez le niveau d'huile moteur et faites l'appoint si nécessaire.
Une fois par an	<ul style="list-style-type: none">• Contrôlez les patins et la lame racleuse et réglez-les au besoin.• Contrôlez le câble de commande de déplacement et réglez-le ou remplacez-le au besoin.• Contrôlez le câble de commande de la vis sans fin/turbine et réglez-le ou remplacez-le au besoin.• Contrôlez le niveau d'huile dans le boîtier d'engrenages de la vis sans fin et faites l'appoint au besoin.• Vidangez l'huile moteur.• Graissez l'arbre hexagonal.• Remplacez la bougie.
Une fois par an ou avant le remisage	<ul style="list-style-type: none">• Vérifiez la pression des pneus des roues et gonflez-les entre 1,17 et 1,38 bar (17 et 20 psi).• En fin de saison, vidangez le réservoir de carburant et faites tourner le moteur pour assécher complètement le réservoir et le carburateur.• Demandez à un dépositaire-réparateur agréé de contrôler et de remplacer la courroie de déplacement et/ou la courroie d'entraînement de la vis sans fin/turbine le cas échéant.

Important: Vous trouverez d'autres renseignements sur l'entretien et la révision de la machine sur le site www.Toro.com.

Important: Reportez-vous au manuel du propriétaire du moteur pour toutes procédures d'entretien supplémentaires. Pour les réglages, réparations ou entretiens couverts par la garantie qui ne sont pas traités dans ce manuel, adressez-vous à un réparateur Briggs & Stratton agréé.

Consignes de sécurité pendant l'entretien

Lisez les consignes de sécurité suivantes avant d'effectuer tout entretien sur la machine :

- Avant d'entreprendre des entretiens, des révisions ou des réglages, coupez le moteur et enlevez la clé de contact. Si la machine nécessite une réparation importante, faites appel à un dépositaire-réparateur agréé.
- Contrôlez fréquemment le serrage de toutes les fixations pour garantir le fonctionnement sûr de la machine.
- Remplacez les autocollants d'instruction ou de sécurité manquants ou endommagés, selon les besoins.
- Ne modifiez pas le réglage du régulateur sur le moteur.
- N'achetez que des pièces et des accessoires Toro d'origine.

Préparation à l'entretien

1. Amenez la machine sur un sol plat et horizontal.
2. Coupez le moteur et attendez l'arrêt complet de toutes les pièces mobiles.
3. Débranchez le fil de la bougie. Voir [Remplacement de la bougie \(page 22\)](#).

Contrôle du niveau d'huile moteur

Périodicité des entretiens: À chaque utilisation ou une fois par jour—Contrôlez le niveau d'huile moteur et faites l'appoint si nécessaire.

1. Retirez la jauge, essuyez-la sur un chiffon et remettez-la dans le goulot de remplissage.
2. Ressortez la jauge et contrôlez le niveau d'huile (Figure 34). Faites l'appoint si le niveau est en dessous du repère « Add » sur la jauge. Voir [Vidange de l'huile moteur](#) (page 21).

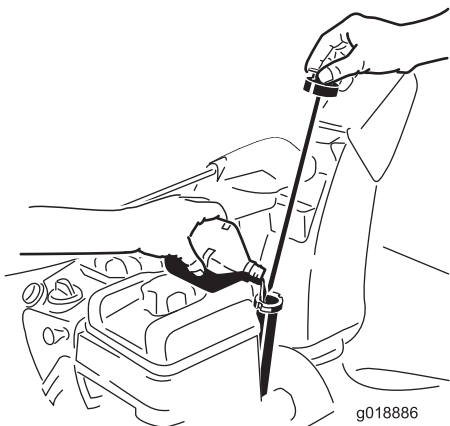


Figure 34

Contrôle et réglage des patins et de la lame racleuse

Périodicité des entretiens: Une fois par an—Contrôlez les patins et la lame racleuse et réglez-les au besoin.

Contrôlez les patins et la lame racleuse pour vérifier que la fraise à neige ne touche pas le sol. Réglez les patins et la lame racleuse selon les besoins pour compenser l'usure.

1. Contrôlez la pression des pneus; voir [6 Contrôle de la pression des pneus](#) (page 8).
2. Desserrez les écrous de fixation des deux patins aux côtés de la vis sans fin jusqu'à ce que les patins puissent coulisser aisément vers le haut et vers le bas.

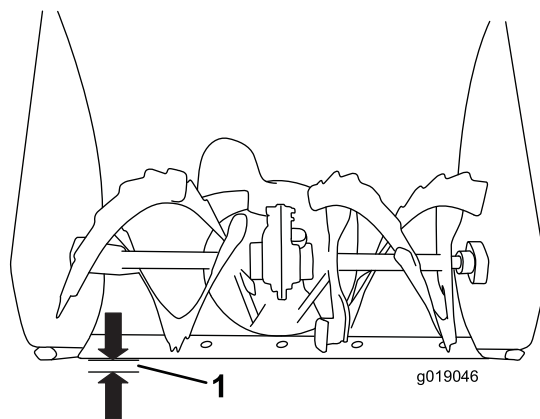


Figure 35

1. 3 mm (1/8 po)

Important: Les patins doivent supporter les lames de la vis sans fin au-dessus du sol.

3. Vérifiez que la lame racleuse est bien parallèle et à 3 mm (1/8 po) de la surface du sol.

Remarque: Si le sol est fissuré, inégal ou irrégulier, réglez les patins de manière à élever la lame racleuse. Sur le gravier, réglez les patins plus bas pour éviter que la machine ne ramasse des cailloux.

4. Abaissez les patins jusqu'à ce qu'ils soient de niveau avec le sol.
5. Serrez fermement les écrous qui fixent les patins aux côtés de la vis sans fin.

Remarque: Pour régler rapidement les patins s'ils sont desserrés, supportez la lame racleuse à 3 mm (1/8 po) du sol, puis rapprochez les patins du sol.

Remarque: Si les patins sont excessivement usés, vous pouvez les retourner et les régler pour vous servir du côté intact.

Contrôle et réglage du câble de commande de déplacement

Périodicité des entretiens: Après les 2 premières heures de fonctionnement—Contrôlez et réglez le câble de commande de déplacement au besoin.

Une fois par an—Contrôlez le câble de commande de déplacement et réglez-le ou remplacez-le au besoin.

Si la machine ne bouge pas en marche avant ou arrière, ou si elle se déplace quand vous relâchez le levier de commande de déplacement, réglez le câble de déplacement.

Si le câble de commande de déplacement gauche est mal réglé, procédez comme suit :

1. Desserrez l'écrou de blocage.
2. Engagez le levier de commande de déplacement et maintenez-le en place (Figure 36).

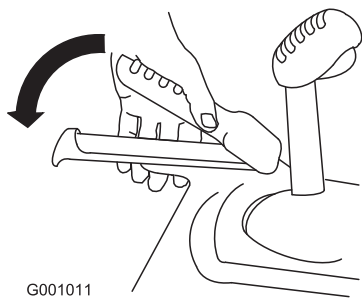


Figure 36

Contrôle et réglage du câble de commande de la vis sans fin/turbine

Périodicité des entretiens: Après les 2 premières heures de fonctionnement—Contrôlez et réglez le câble de commande de la vis sans fin/turbine au besoin.

Une fois par an—Contrôlez le câble de commande de la vis sans fin/turbine et réglez-le ou remplacez-le au besoin.

1. Desserrez l'écrou de blocage.
2. Engagez le levier de déplacement de la vis sans fin/turbine et maintenez-le en place (Figure 38).

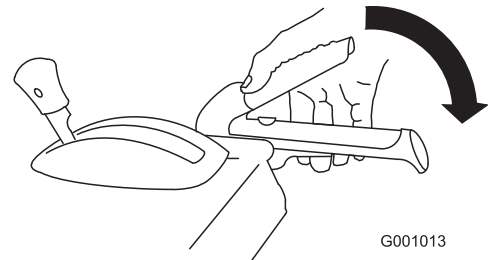


Figure 38

3. Desserrez ou serrez le tendeur pour régler la longueur du ressort à 5,5 cm (2,18 po), comme montré à la Figure 37.

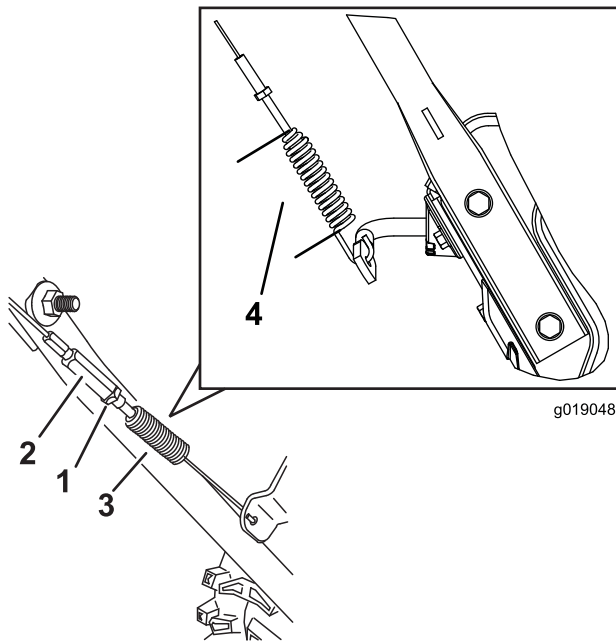


Figure 37

- | | |
|---------------------|---------------------|
| 1. Écrou de blocage | 3. Ressort |
| 2. Tendeur | 4. 5,5 cm (2,18 po) |

3. Desserrez ou serrez le tendeur pour régler la longueur du ressort à 7 cm (2,75 po), comme montré à la Figure 39.

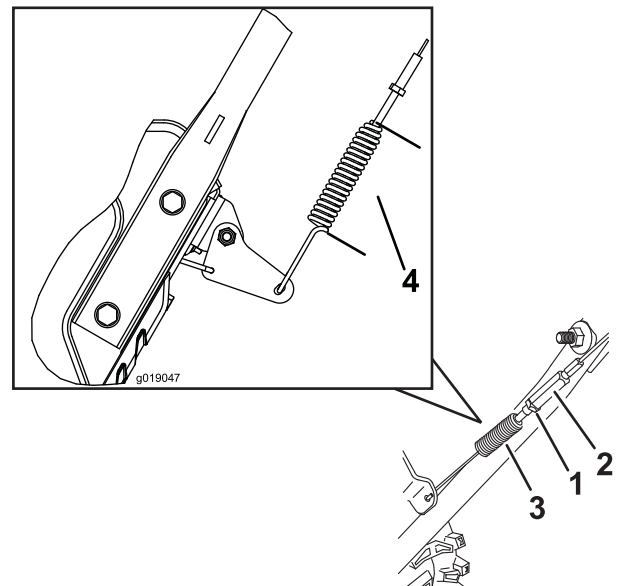


Figure 39

- | | |
|---------------------|-------------------|
| 1. Écrou de blocage | 3. Ressort |
| 2. Tendeur | 4. 7 cm (2,75 po) |

4. Serrez l'écrou de blocage (Figure 37) en vérifiant que le câble est légèrement tendu.
5. Si le câble de déplacement est correctement réglé mais qu'un problème subsiste, contactez un dépositaire-réparateur agréé.

4. Serrez l'écrou de blocage (Figure 39) en vérifiant que le câble est légèrement tendu.

- Si le câble de commande de la vis sans fin/turbine est correctement réglé mais qu'un problème subsiste, contactez un dépositaire-réparateur agréé.

Contrôle du niveau d'huile dans le boîtier d'engrenages de la vis sans fin

Périodicité des entretiens: Une fois par an—Contrôlez le niveau d'huile dans le boîtier d'engrenages de la vis sans fin et faites l'appoint au besoin.

- Amenez la machine sur un sol plat et horizontal.
- Nettoyez la surface autour du bouchon de tuyau (Figure 40).

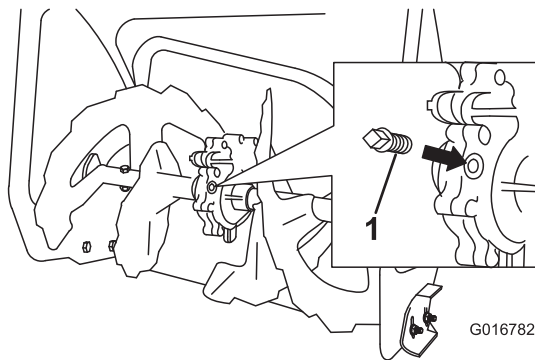


Figure 40

- Obturbateur de tuyau

- Retirez le bouchon de tuyau du boîtier d'engrenages.
- Vérifiez le niveau d'huile dans le boîtier d'engrenages. Le niveau d'huile doit se situer à 9,5 mm (3/8 po) sous l'orifice de remplissage.
- Si le niveau est trop bas, ajoutez de l'huile pour engrenages GL-5 ou GL-6, SAE 80-90 EP dans le boîtier d'engrenages jusqu'à ce que le niveau soit à 9,5 mm (3/8 po) en dessous de l'orifice de remplissage.

Remarque: N'utilisez pas d'huile synthétique.

- Remettez le bouchon de tuyau dans le boîtier d'engrenages.

Vidange de l'huile moteur

Périodicité des entretiens: Après les 5 premières heures de fonctionnement—Vidangez l'huile moteur.

Une fois par an—Vidangez l'huile moteur.

Dans la mesure du possible, faites tourner le moteur pendant quelques secondes avant la vidange pour réchauffer l'huile, afin de faciliter son écoulement et d'entraîner plus d'impuretés.

Utilisez une huile détergente automobile de classe de service API SF, SG, SH, SJ, SL ou supérieure. Reportez-vous au manuel du propriétaire du moteur.

Reportez-vous à la Figure 41 ci-dessous pour sélectionner la viscosité d'huile la mieux adaptée pour la plage de température extérieure anticipée :

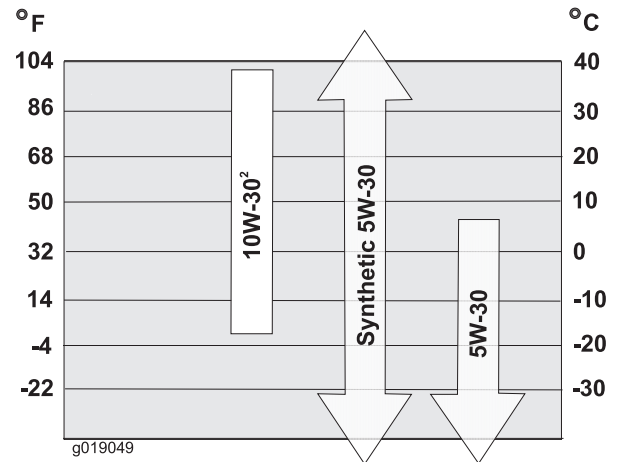


Figure 41

Capacités d'huile moteur

Modèle	Capacité d'huile moteur
37772	0,53 à 0,59 L (18 à 20 oz)

- Nettoyez la surface autour du bouchon de vidange d'huile (Figure 42).

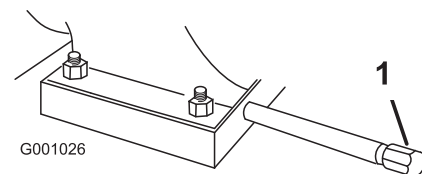


Figure 42

- Bouchon de vidange d'huile
- Glissez un bac de vidange sous le tube de vidange et retirez le bouchon.
- Vidangez l'huile.

Remarque: Débarrassez-vous correctement de l'huile usagée en la déposant dans un centre de recyclage agréé.

4. Remettez le bouchon de vidange en place.
5. Remplissez le carter moteur.

Graissage de l'arbre hexagonal

Périodicité des entretiens: Une fois par an—Graissez l'arbre hexagonal.

Graissez légèrement l'arbre hexagonal une fois par an avec de l'huile moteur de type automobile (Figure 43).

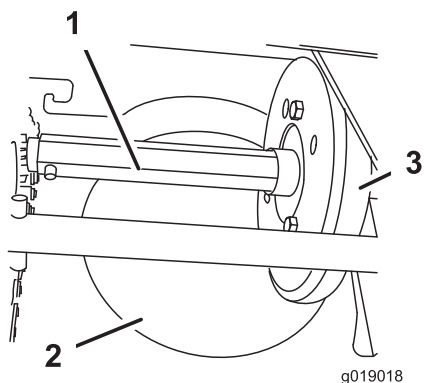


Figure 43

1. Arbre hexagonal
2. Poulie à friction en acier
3. Roue en caoutchouc

Important: Veillez à ne pas faire couler d'huile sur la roue en caoutchouc ou la poulie à friction en acier, car cela fera patiner la transmission (Figure 43).

1. Vidangez le réservoir de carburant.
2. Basculez la machine en avant sur le carter de la vis sans fin et caliez-la pour qu'elle ne puisse pas tomber.
3. Retirez le couvercle arrière (Figure 44).

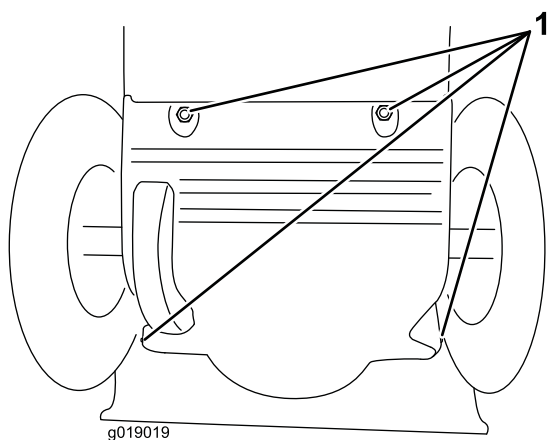


Figure 44

1. Vis

4. Placez le sélecteur de vitesse à la position R2.
5. Plongez le doigt dans de l'huile moteur et graissez **légèrement** l'arbre hexagonal.

6. Placez le sélecteur de vitesse à la position 6.
7. Lubrifiez l'autre extrémité de l'arbre hexagonal.
8. Déplacez le sélecteur de vitesses en avant et en arrière à plusieurs reprises.
9. Montez le couvercle arrière et redressez la machine en position normale.

Remplacement de la bougie

Périodicité des entretiens: Une fois par an—Remplacez la bougie.

Utilisez une bougie **Champion QC12YC** ou équivalente.

Remarque: Vous devez déposer le capot anti-neige supérieur pour accéder à la bougie d'allumage (Figure 45).

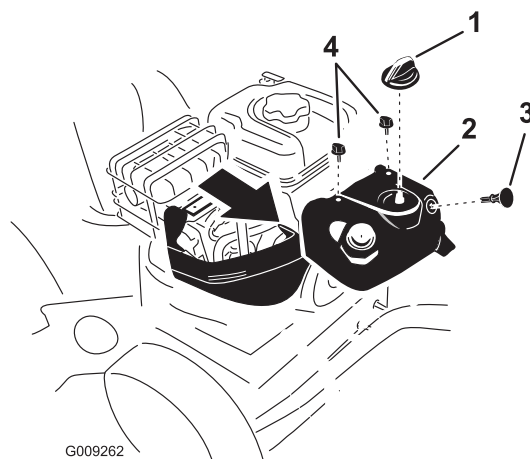


Figure 45

1. Commande de starter
2. Capot anti-neige supérieur
3. Clé de contact
4. Vis (2)

1. Enlevez la commande de starter et la clé de contact (Figure 45).
2. Enlevez les 2 vis qui fixent le capot anti-neige à la machine (Figure 45).
3. Enlevez **lentement** le capot anti-neige supérieur, en prenant soin de ne pas débrancher le flexible de la poire d'amorceur ni le câble d'allumage.
4. Enlevez la vis à oreilles du support et le support (Figure 46).

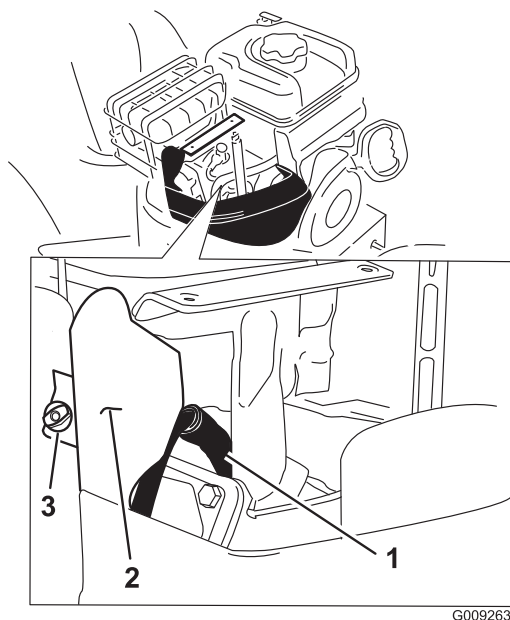


Figure 46

- 1. Fil de bougie
- 2. Support
- 3. Vis à oreilles

5. Nettoyez la surface autour de la base de la bougie (Figure 46).
6. Enlevez la bougie d'allumage usagée et mettez-la au rebut.

Remarque: Vous aurez besoin d'une rallonge de clé à cliquet pour enlever la bougie.

7. Réglez l'écartement des électrodes de la nouvelle bougie à 0,76 mm (0,030 po), comme montré à la Figure 47.

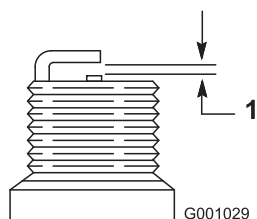


Figure 47

- 1. 0,76 mm (0,030 po)

8. Installez la nouvelle bougie d'allumage, serrez-la fermement et reliez le câble d'allumage à la bougie.
9. Fixez le support avec la vis à oreilles retirée à l'étape 4.
10. Le flexible de la poire d'amorceur et le câble d'allumage doivent être connectés et écartés du support du carburateur.
11. Fixez le capot anti-neige supérieur à la machine au moyen des 2 vis retirées précédemment.
12. Alignez la languette de la commande de starter sur la fente dans le capot anti-neige supérieur.
13. Montez la commande de starter sur son axe sur le carburateur.

Réglage du verrou de la goulotte

Le réglage du verrou de la goulotte est nécessaire si la goulotte ne se bloque pas à la position voulue ou ne se débloque pas quand vous voulez modifier sa position.

1. Desserrez la fixation du serre-câble sur la plaque de support de la goulotte jusqu'à ce que le câble soit dégagé.

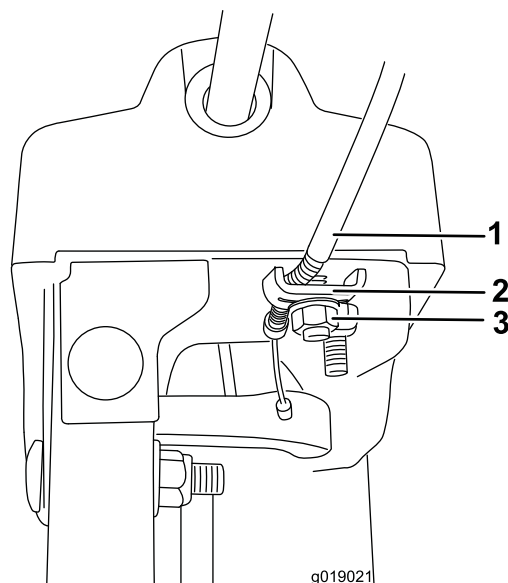


Figure 48

- 1. Gaine du câble
- 2. Serre-câble
- 3. Fixation de serre-câble

2. Éliminez le mou du câble en tirant la gaine en arrière.
3. Serrez la fixation du serre-câble tout en maintenant le câble en place.

Remplacement des courroies d'entraînement

Si la courroie d'entraînement de la vis sans fin/turbine ou la courroie de transmission est usée, imbibée d'huile ou autrement endommagée, demandez à un dépositaire-réparateur agréé de remplacer la courroie.

Remisage

⚠ ATTENTION

- Les vapeurs de carburant sont explosives.
- Ne conservez pas le carburant pendant plus d'un mois.
- Ne remisez pas la machine dans un local fermé où se trouve une flamme nue.
- Laissez refroidir le moteur avant de remiser la machine.

Préparation de la machine au remisage

1. Lors du dernier plein de la saison, ajoutez un stabilisateur au carburant neuf selon les instructions du constructeur du moteur.

Remarque: Le carburant ne doit pas être stocké plus longtemps que ne le recommande le fabricant du stabilisateur.

2. Faites tourner le moteur 10 minutes pour faire circuler le carburant traité dans tout le circuit d'alimentation.
3. Laissez tourner le moteur de la machine jusqu'à ce qu'il s'arrête faute de carburant.
4. Amorcez et remettez le moteur en marche.
5. Laissez tourner le moteur jusqu'à ce qu'il s'arrête. Le moteur est suffisamment sec lorsqu'il n'y a plus moyen de le faire démarrer.
6. Arrêtez le moteur et laissez-le refroidir.
7. Enlevez la clé de contact.
8. Nettoyez soigneusement la machine.
9. Retouchez les surfaces écaillées avec une peinture en vente chez un dépositaire-réparateur agréé. Poncez les zones abîmées avant de les peindre et utilisez un produit antirouille pour prévenir la corrosion.
10. Serrez toutes les vis, tous les boulons et tous les contre-écrous qui en ont besoin. Réparez ou remplacez les pièces endommagées.
11. Couvrez la machine et remisez-la dans un endroit propre et sec, hors de la portée des enfants.

Remise en service après remisage

1. Déposez la bougie et faites tourner le moteur rapidement à l'aide du lanceur pour éliminer l'excédent d'huile dans le cylindre.
2. Montez la bougie et serrez-la fermement.
3. Rebranchez le fil de la bougie.
4. Effectuez les procédures d'entretien annuelles qui sont indiquées dans le Programme d'entretien recommandé; voir [Entretien \(page 18\)](#).

Dépistage des défauts

Problème	Cause possible	Mesure corrective
Le démarreur électrique ne se lance pas (démarrage électrique seulement).	<ol style="list-style-type: none"> 1. Le cordon d'alimentation n'est pas branché à la prise secteur ou à la machine. 2. Le cordon d'alimentation est usé, corrodé ou endommagé. 3. La prise n'est pas sous tension. 	<ol style="list-style-type: none"> 1. Raccordez le cordon d'alimentation à la prise et/ou la machine. 2. Changez le cordon d'alimentation. 3. Demandez à un électricien qualifié de mettre la prise sous tension.
Le moteur ne démarre pas ou démarre difficilement.	<ol style="list-style-type: none"> 1. La clé n'est pas dans le commutateur d'allumage ou est à la position ARRÊT. 2. Le starter est à la position HORS SERVICE et l'amorceur n'a pas été actionné. 3. Le robinet d'arrivée de carburant est fermé. 4. La commande d'accélérateur n'est pas à la position HAUT RÉGIME. 5. Le réservoir de carburant est vide ou le circuit d'alimentation contient du carburant qui n'est pas frais. 6. Le fil de la bougie est mal branché ou débranché. 7. La bougie est piquée ou encrassée, ou l'écartement des électrodes est incorrect. 8. Le bouchon d'aération du réservoir de carburant est bouché. 9. Le niveau d'huile dans le carter moteur est trop bas ou trop élevé. 	<ol style="list-style-type: none"> 1. Insérez la clé dans le commutateur d'allumage et tournez-la à la position CONTACT. 2. Placez le starter à la position EN SERVICE et appuyez à 3 reprises sur l'amorceur. 3. Ouvrez le robinet d'arrivée de carburant. 4. Placez la commande d'accélérateur en position HAUT RÉGIME. 5. Vidangez et/ou remplissez le réservoir de carburant de carburant frais (stocké depuis moins d'un mois). Si le problème persiste, consultez un dépositaire-réparateur agréé. 6. Branchez le fil de la bougie. 7. Contrôlez la bougie et réglez l'écartement des électrodes au besoin. Remplacez la bougie si elle est piquée, encrassée ou fissurée. 8. Éliminez l'obstruction ou changez le bouchon. 9. Faites l'appoint ou vidangez suffisamment d'huile pour amener le niveau au repère du plein sur la jauge.
Le moteur tourne irrégulièrement.	<ol style="list-style-type: none"> 1. Le starter est à la position EN SERVICE. 2. Le robinet d'arrivée de carburant n'est pas complètement ouvert. 3. Le réservoir de carburant est presque vide ou contient du carburant pas frais. 4. Le fil de la bougie est mal branché. 5. La bougie est piquée ou encrassée, ou l'écartement des électrodes est incorrect. 6. Le niveau d'huile dans le carter moteur est trop bas ou trop élevé. 	<ol style="list-style-type: none"> 1. Placez le starter à la position HORS SERVICE. 2. Ouvrez le robinet d'arrivée de carburant. 3. Vidangez et remplissez le réservoir de carburant de carburant frais (stocké depuis moins d'un mois). Si le problème persiste, consultez un dépositaire-réparateur agréé. 4. Branchez le fil de la bougie. 5. Contrôlez la bougie et réglez l'écartement des électrodes au besoin. Remplacez la bougie si elle est piquée, encrassée ou fissurée. 6. Faites l'appoint ou vidangez suffisamment d'huile pour amener le niveau au repère du plein sur la jauge.

Problème	Cause possible	Mesure corrective
Le moteur tourne mais la machine éjecte mal la neige ou pas du tout.	<ol style="list-style-type: none"> 1. La commande d'accélérateur n'est pas à la position HAUT RÉGIME pendant le déblayage de la neige. 2. La machine se déplace trop rapidement pour déneiger correctement. 3. Vous tentez de déblayer une quantité de neige trop importante par bande. 4. Vous tentez de déblayer de la neige très lourde ou très mouillée. 5. La goulotte est bouchée. 6. La courroie de la vis sans fin/turbine est détendue ou ne se trouve plus sur la poulie. 7. La courroie de la vis sans fin/turbine est usée ou cassée. 	<ol style="list-style-type: none"> 1. Placez la commande d'accélérateur en position HAUT RÉGIME. 2. Sélectionnez un rapport inférieur. 3. Réduisez la quantité de neige déblayée par bande. 4. Ne surchargez pas la machine avec de la neige très lourde ou mouillée. 5. Débouchez la goulotte. 6. Montez et/ou réglez la courroie d'entraînement de la vis sans fin/turbine. Consultez le site www.Toro.com pour plus de précisions sur l'entretien ou portez la machine chez un dépositaire-réparateur agréé. 7. Remplacez la courroie d'entraînement de la vis sans fin/turbine. Consultez le site www.Toro.com pour de plus amples informations d'entretien ou portez la machine chez un réparateur agréé.
La goulotte ne se verrouille pas en place ou ne bouge pas.	<ol style="list-style-type: none"> 1. Le verrou de la goulotte est mal réglé. 	<ol style="list-style-type: none"> 1. Réglez le verrou de la goulotte.
La machine ne déblaye pas correctement la neige.	<ol style="list-style-type: none"> 1. Les patins et/ou la lame racleuse sont mal réglés. 2. Les pneus ne sont pas gonflés à la même pression. 	<ol style="list-style-type: none"> 1. Réglez les patins et/ou la lame racleuse. 2. Contrôlez et ajustez la pression de l'un ou des deux pneus.

Remarques:



Conditions et produits couverts

The Toro Company et sa filiale Toro Warranty, en vertu de l'accord passé entre elles, s'engagent conjointement à réparer le produit Toro mentionné ci-dessous utilisé à des fins résidentielles normales* s'il présente un défaut de fabrication ou cesse de fonctionner suite à la défaillance d'un composant pendant la période indiquée ci-dessous.

Cette garantie couvre le coût des pièces et de la main-d'œuvre, mais le transport est à votre charge.

Durées de la garantie à partir de la date d'achat d'origine :

Produits	Période de garantie
Souffleuses à neige SnowMaster et Power Max et accessoires	3 ans
– Goulotte	À vie (propriétaire d'origine uniquement)
– Défecteur	À vie (propriétaire d'origine uniquement)
— Goulotte inférieure SnowMaster	À vie (propriétaire d'origine uniquement)
— Système antiblocage Power Max (couvercle de carter de turbine en plastique)	À vie (propriétaire d'origine uniquement)

Garantie limitée pour usage commercial

Les produits Toro à moteur à essence utilisés à des fins commerciales, par des institutions ou donnés en location sont couverts contre tout défaut de fabrication ou de matériau pendant une période de 45 jours. Les défaillances de composants dues à une usure normale ne sont pas couvertes par cette garantie.

Comment faire intervenir la garantie

Si vous pensez que votre produit Toro présente un vice de matériau ou de fabrication, procédez comme suit :

1. Demandez à un dépositaire ou réparateur Toro agréé de prendre en charge votre produit. Pour trouver le dépositaire ou le réparateur le plus proche, consultez les *Pages Jaunes* (sous « Tondeuses à gazon ») ou rendez-vous sur notre site web à www.Toro.com. Vous pouvez aussi appeler les numéros indiqués au point 3 pour consulter notre système permanent de localisation des dépositaires Toro.
2. Lorsque vous vous rendez chez le dépositaire-réparateur, apportez le produit et une preuve d'achat (reçu). Le dépositaire diagnostiquera le problème et déterminera s'il est couvert par la garantie.
3. Si, pour une raison quelconque, vous n'êtes pas satisfait du diagnostic de votre dépositaire-réparateur ou des conseils prodigués, n'hésitez pas à nous contacter à l'adresse suivante :

Toro Warranty Company
Customer Care Department, RLC Division
8111 Lyndale Avenue South
Bloomington, MN 55420-1196, États-Unis
Numéro vert : 866-336-5205 (aux États-Unis)
Numéro vert : 866-854-9033 (au Canada)

Autres pays que les États-Unis et le Canada

Pour les produits Toro exportés des États-Unis ou du Canada, demandez à votre distributeur (dépositaire) Toro la police de garantie applicable dans votre pays, région ou état. Si, pour une raison quelconque, vous n'êtes pas satisfait des services de votre distributeur, ou si vous avez du mal à vous procurer des renseignements concernant la garantie, adressez-vous à l'importateur Toro. En dernier recours, adressez-vous à Toro Warranty Company.

Droit australien de la consommation

Les clients australiens trouveront des informations concernant le Droit australien de la consommation à l'intérieur du carton ou auprès de leur dépositaire Toro local.

*L'usage résidentiel normal désigne l'utilisation du produit sur le terrain où se trouve votre domicile. L'utilisation dans plusieurs lieux ou par des institutions ou la location est considérée comme un usage commercial, couvert par la garantie commerciale.

Responsabilités du propriétaire

L'entretien de votre produit Toro doit être conforme aux procédures décrites dans le *Manuel de l'utilisateur*. Cet entretien courant est à vos frais, qu'il soit effectué par vous-même ou par un dépositaire-réparateur.

Ce que la garantie ne couvre pas

Il n'existe aucune autre garantie expresse, à part la garantie spéciale du système antipollution et du moteur pour certains produits. Cette garantie expresse ne couvre pas :

- Les frais normaux d'entretien ou de remplacement de pièces d'usure telles que lames, pales de rotor (palettes), lames racleuses, courroies, carburant, lubrifiants, vidanges d'huile, bougies, ampoules, réglages de câble/tringlerie ou des freins.
- Les produits ou pièces ayant subi des modifications ou un usage abusif, de négligence, ou nécessitant un remplacement ou une réparation en raison d'un accident ou d'une absence d'entretien.
- Les frais de prise à domicile et de livraison.
- Tout dommage dû à un usage abusif, à un mauvais traitement ou à des accidents.
- Les réparations ou tentatives de réparation par quiconque autre qu'un réparateur Toro agréé
- Les réparations requises en raison du non respect de la procédure recommandée relative au carburant (consultez le *Manuel de l'utilisateur* pour plus de détails)
 - La décontamination du système d'alimentation n'est pas couverte.
 - L'utilisation de carburant trop ancien (vieux de plus d'un mois) ou de carburant contenant plus de 10 % d'éthanol ou plus de 15 % de MTBE
 - L'omission de la vidange du système d'alimentation avant toute période de non utilisation de plus d'un mois.

Conditions générales

Toutes les réparations couvertes par les présentes garanties doivent être effectuées par un réparateur Toro agréé, à l'aide de pièces de rechange agréées par Toro. La réparation par un réparateur Toro agréé est le seul dédommagement auquel cette garantie donne droit.

The Toro Company et Toro Warranty Company déclinent toute responsabilité en cas de dommages secondaires ou indirects liés à l'utilisation des produits Toro couverts par ces garanties, notamment quant aux coûts et dépenses encourus pour se procurer un équipement ou un service de substitution durant une période raisonnable pour cause de défaillance ou d'indisponibilité en attendant la réparation sous garantie.

Toutes les garanties implicites relatives à la qualité marchande (à savoir que le produit est apte à l'usage courant) et à l'aptitude à l'emploi (à savoir que le produit est apte à un usage spécifique) sont limitées à la durée de la garantie expresse.

L'exclusion de la garantie des dommages secondaires ou indirects, ou les restrictions concernant la durée de la garantie implicite, ne sont pas autorisées dans certains états et peuvent donc ne pas s'appliquer dans votre cas.

Cette garantie vous accorde des droits spécifiques, auxquels peuvent s'ajouter d'autres droits qui varient selon les états.