



Count on it.

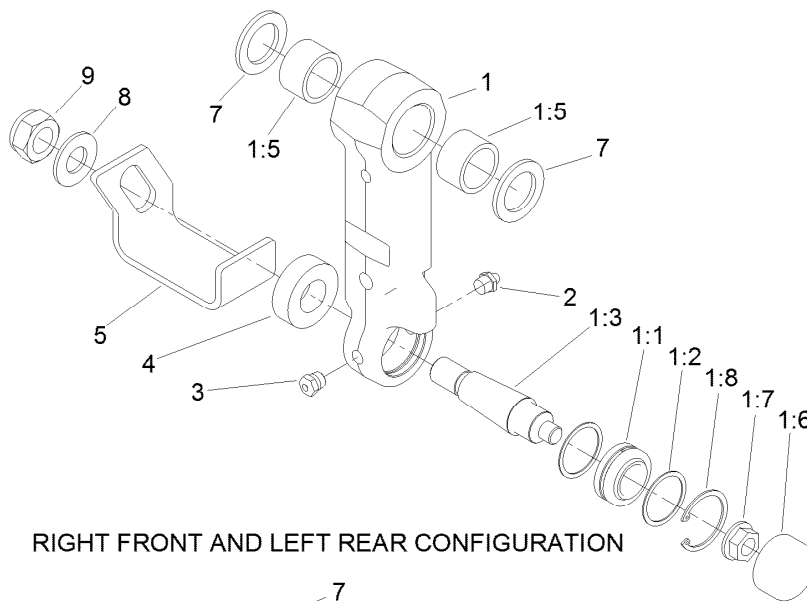
Parts Catalog

Link Assembly Kit

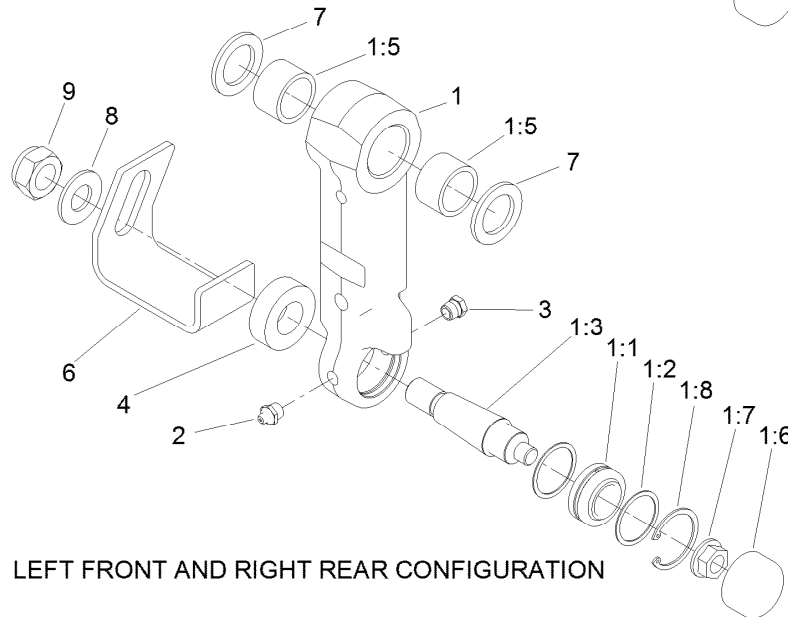
Groundsmaster® 4100-D Traction Unit

Model No. 112-9117





RIGHT FRONT AND LEFT REAR CONFIGURATION



LEFT FRONT AND RIGHT REAR CONFIGURATION

Link Assembly No. 122-9117

<i>Ref.</i>	<i>Part Number</i>	<i>Qty.</i>	<i>Description</i>	<i>Ref.</i>	<i>Part Number</i>	<i>Qty.</i>	<i>Description</i>
1	112-9116	1	Link ASM	3	302-39	1	Fitting-Plug
1:1	105-7441	1	Bearing-Spherical	4	110-6196	1	Washer-Foam
1:2	110-6198	2	Washer-Flat	5	112-9105-01	1	Skid-Link (Right Front, Left Rear)
1:3	105-7468	1	Stud-Tapered	6	112-9106-01	1	Skid-Link (Left Front, Right Rear)
1:5	106-7248	2	Bushing	7	92-7845	2	Spacer-Hardened
1:6	110-6197	1	Cap-Dust	8	3256-27	1	Washer-Flat
1:7	32128-42	1	Nut-HF	9	112-9119	1	Nut-Lock, NI
1:8	32151-34	1	Ring-Retaining				
2	302-52	1	Fitting-Grease				