



Count on it.

Parts Catalog

Greensmaster® 3420

TriFlex® Traction Unit

Model No. 04540—Serial No. 315000501 and Up



Ordering Replacement Parts

To order replacement parts, please supply the part number, the quantity, and the description of each part desired.

Understanding Reference Numbers

Each identified part in an illustration has a reference number. The reference number for a part also appears in the parts list, along with other information about the part.

This catalog uses two special reference number formats, one to indicate parts in a service assembly and another to indicate the quantity of a given part in an illustration.

Service Assembly Reference Numbers

Parts in service assemblies have reference numbers in the form a:b. The a represents the reference number of the entire service assembly and the b represents a sequential number unique to each part within the service assembly.

For example, a wheel assembly might be identified by reference number 6, the tire by 6:1, the valve by 6:2, and the wheel by 6:3. When you order the assembly identified by reference number 6, you receive all parts identified by reference numbers 6:1, 6:2, and 6:3. However, you may also order any part individually. Reference numbers of this type appear in illustration and in parts lists.

Reference Numbers Indicating Quantity

In an illustration, if a reference number indicates more than one part, the reference number has the form nX y. The n represents the quantity of the part, the X is the multiplication symbol, and the y represents the reference number.

For example, in an illustration, the reference number 2X 37 means that two of the parts identified by reference number 37 are indicated.

List of Abbreviations

AR: as required

ASM: assembly

BBC: blade brake control

BHTF: button head thread forming

CARR: carriage

CCW: counter clockwise

CW: clockwise

DEG: degrees

DPA: Dual Point Adjustment

ECM: electronic control module

EXT: external

FH: flat head

GA: gauge

HD: heavy-duty

HF: hex flange

HH: hex head

HHF: hex head flange

HHFTF: hex head flange thread forming

HJ: hex jam

HLH: hex lag head

HOC: height-of-cut

HP: high pressure

HSBH: hex socket button head

HSFH: hex socket flat head

HSH: hex socket head

HWH: hex washer head

HWHTF: hex washer head thread forming

HYD: hydraulic

LH: left hand

LP: low pressure

LPG: Liquefied Petroleum Gas

NI: nylon insert

NPTF: national pipe thread fine

PFH: phillips flat head

PPH: phillips pan head

PPHTF: phillips pan head thread forming

PRH: phillips round head

PTH: phillips truss head

PTO: power-take-off

RH: right hand

ROPS: roll-over protection system

RRB: rear roller brush

SFH: slotted fillister head

SHH: slotted hex head

SHWH: slotted hex washer head

SPH: slotted pan head

SQH: square head

SRH: slotted round head

STD: standard

TAP: self tapping

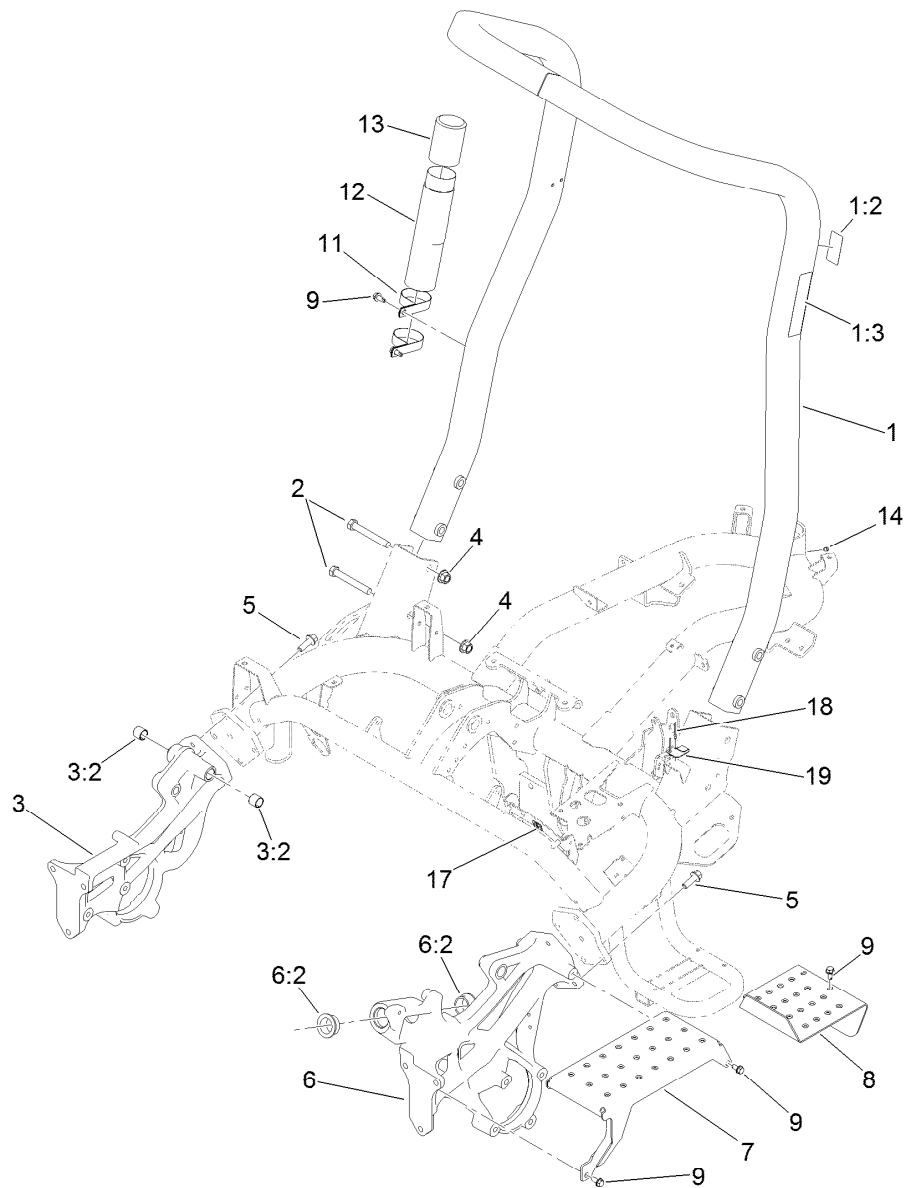
TTH: torx truss head

Contents

Roll-Over Protection System Assembly	5
Brake Cable Grommet Assembly.....	6
Frame Assembly.....	7
Platform Assembly.....	8
Right Hand Support Platform Assembly.....	9
Seatbase Assembly.....	10
Steering Arm and Adjuster Assembly.....	11
Brake Cable and Lever Assembly.....	12
Back Wheel Assembly.....	13
Hydraulic Cylinder Assembly No. 117-4480.....	14
Front Wheel Assembly.....	15
Right Hand Brake Assembly No. 115-9441.....	16
Left Hand Brake Assembly No. 115-9440.....	17
Right Hand Wheel Motor Assembly No. 117-4302.....	18
Left Hand Wheel Motor Assembly No. 117-4303.....	19
Console and Reel Control Assembly.....	20
Traction Interface Control Assembly.....	21
Ignition, Throttle and Choke Control Assembly.....	22
Console Cable Routing Assembly.....	23
Engine and Exhaust Assembly.....	24
Radiator, Fuel Pump and Air Cleaner Assembly.....	26
Air Cleaner Assembly No. 95-5805.....	27
Radiator, Air Hose and Fuel Line Assembly.....	28
Generator and Engine Frame Assembly.....	29
Generator/Controller Assembly No. 117-8185.....	30
Generator Assembly No. 117-8182.....	31
Generator Service Assembly No. 119-1069.....	32
Fuel and Hydraulic Tank Assembly.....	33
Controller Assembly.....	34
Battery Assembly.....	35
Wire Harness Assembly.....	36
Pump Coupling Assembly.....	37
Hydraulic Pump Assembly No. 121-9558.....	38
Neutral Centering Assembly.....	40
Traction Drive Hydraulic Line Assembly.....	41
Traction Drive Hose Routing Assembly.....	42
Lift Circuit Assembly.....	43
Steering Valve Assembly No. 114-4672.....	45
Hydraulic Cylinder Assembly No. 119-8129.....	46
Hydraulic Cylinder Assembly No. 119-8128.....	47
Hydraulic Lift Manifold Assembly.....	48
Hydraulic Lift Manifold Assembly No. 125-5187.....	49
Steering Circuit Assembly (1).....	50
Steering Circuit Assembly (2).....	51
Hydraulic Gear Pump Assembly No. 114-9958.....	52
Steering Circuit Assembly (3).....	53
Steering Circuit Assembly (4).....	54
Suspension and Basket Assembly.....	55
Suspension Pin Position Assembly.....	56
Electric Reel Motor Assembly.....	57
Electric Reel Motor Assembly No. 127-2450.....	58
Electric Motor Assembly.....	59
Electric Mow Battery Assembly.....	60
Suspension A-Arm Assembly.....	62

Contents (continued)

Suspension Crossarm Assembly	63
Crankcase Assembly	64
Oil Pan, Oil Pump and Dipstick Assembly	65
Cylinder Head Assembly	66
Gear Case and Oil Filter Cartridge Assembly	67
Cylinder Head Cover Assembly	68
Main Bearing Case Assembly	69
Camshaft and Idle Gear Shaft Assembly	70
Piston and Crankshaft Assembly	71
Fuel Camshaft Assembly	72
Idle Apparatus and Fuel Pump Cover Assembly	73
Stop Solenoid and Speed Control Plate Assembly	74
Injection Pump Assembly	75
Governor Assembly	76
Nozzle Holder and Glow Plug Assembly	77
Nozzle Holder Assembly	78
Alternator and Pulley Assembly	80
Alternator Components Assembly	81
Starter and Flywheel Assembly	82
Starter Component Assembly	83
Water Flange and Thermostat Assembly	84
Water Pump and Water Pipe Assembly	85
Valve and Rocker Arm Assembly	86
Inlet and Exhaust Manifold Assembly	87
Miscellaneous Engine Parts	88
Attachments and Accessories	89



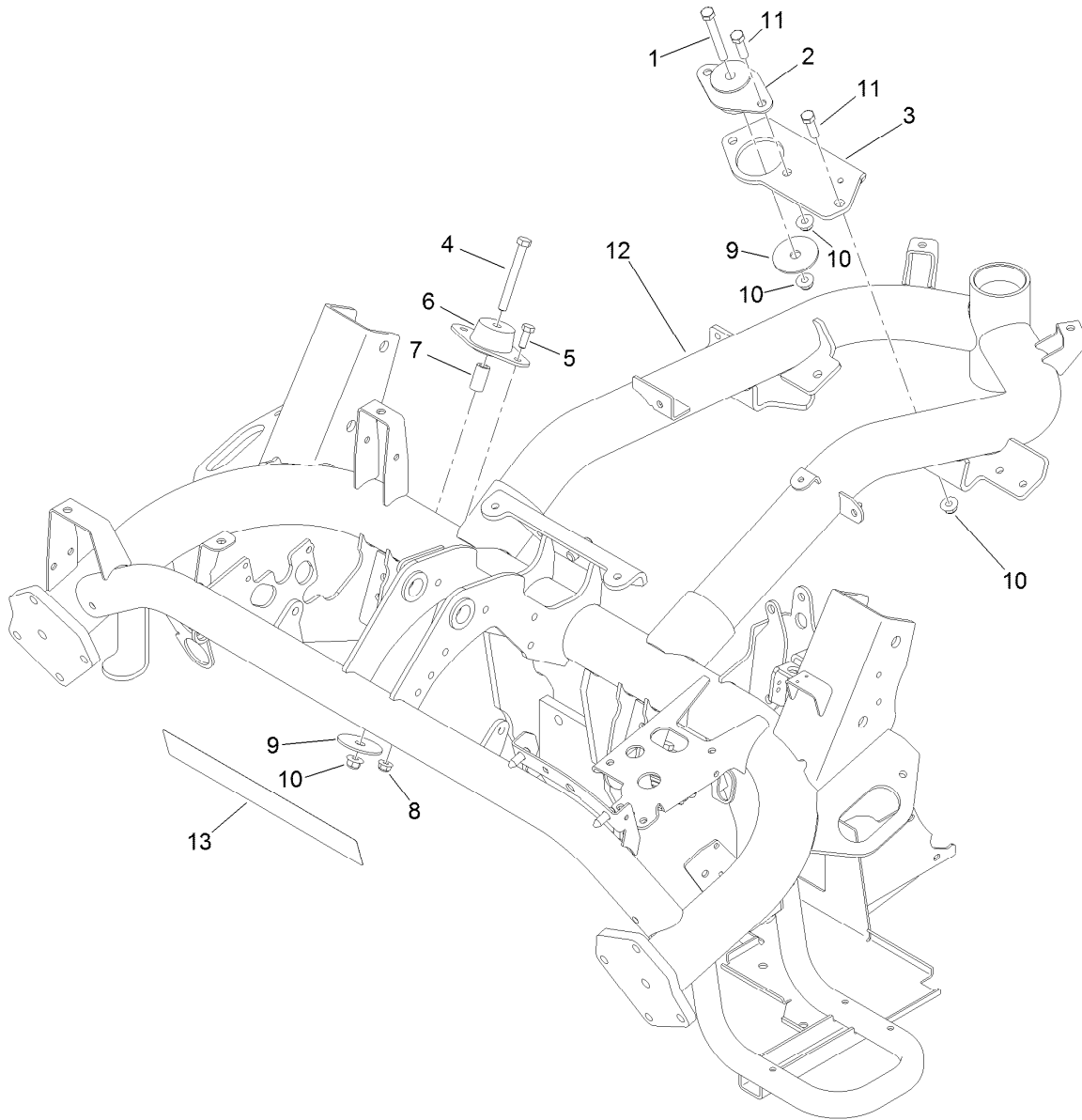
Roll-Over Protection System Assembly

<i>Ref.</i>	<i>Part Number</i>	<i>Qty.</i>	<i>Description</i>	<i>Ref.</i>	<i>Part Number</i>	<i>Qty.</i>	<i>Description</i>
1	115-8206	1	ROPS Assembly	7	117-9051-01	1	Step
1:2	115-8199	1	Decal-ROPS	8	119-4468-01	1	Plate-Step
1:3	115-8226	1	Decal-ROPS	9	32104-32	9	Screw-HWH
2	325-35	4	Screw-HH	11	2412-133	2	R-Clamp
3	117-9023	1	Casting-Side, RH	12	104-7050	1	Tube-Manual
3:2	94-9609	2	Bushing-Straight	13	104-7048	1	Cap-Housing
4	99-5107	4	Nut-Lock	14	302-59	1	Plug-Threaded
5	117-9035	8	Screw-HHF	17	119-1730	1	Receptacle-Clip, Mini
6	117-9022	1	Casting-Side, LH	18	3269-32	2	Rivet-Pop
6:2	60-0080	2	Bushing	19	121-5865	1	Clip-Cover, Back



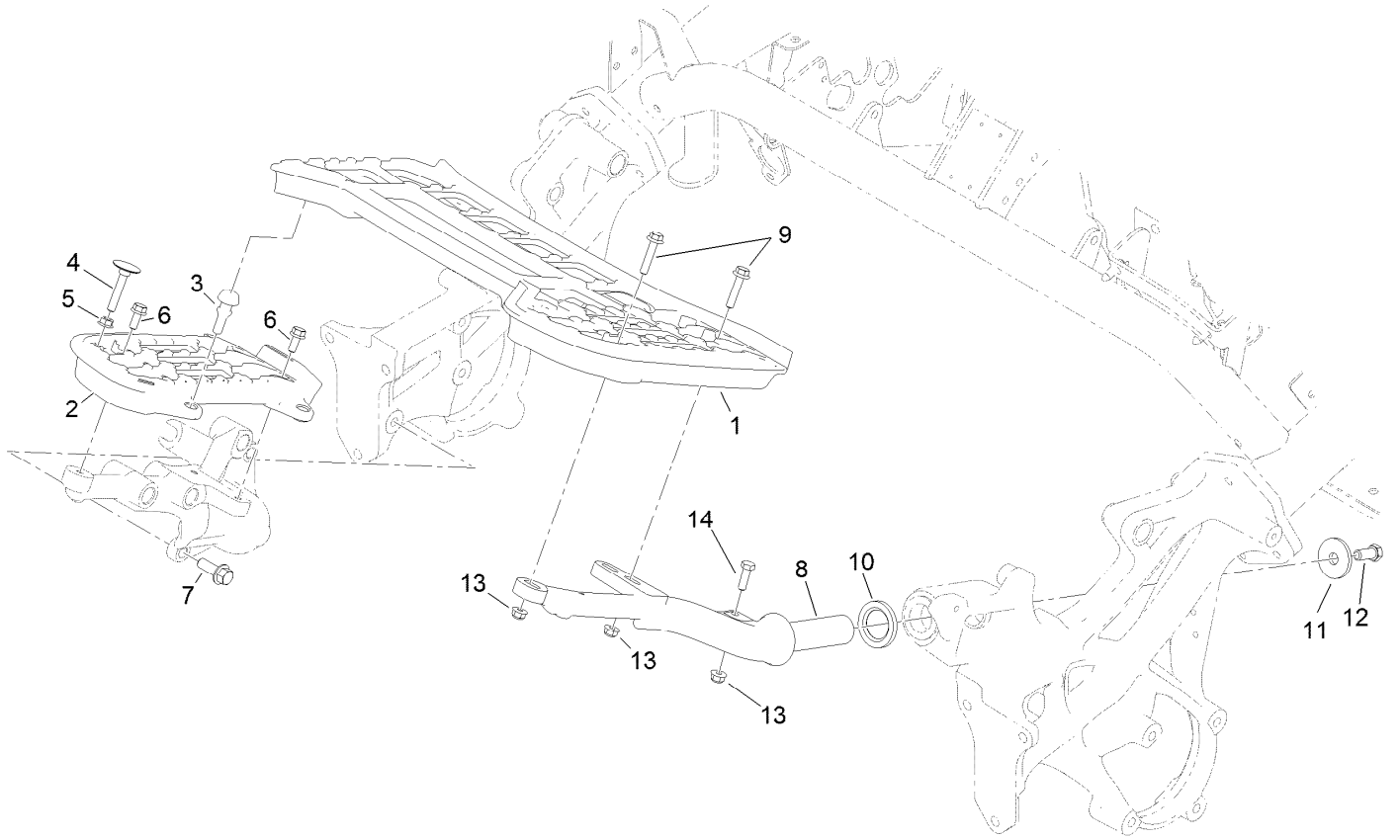
Brake Cable Grommet Assembly

<i>Ref.</i>	<i>Part Number</i>	<i>Qty.</i>	<i>Description</i>
1	240-5	1	Grommet
2	98-8529	3	Grommet



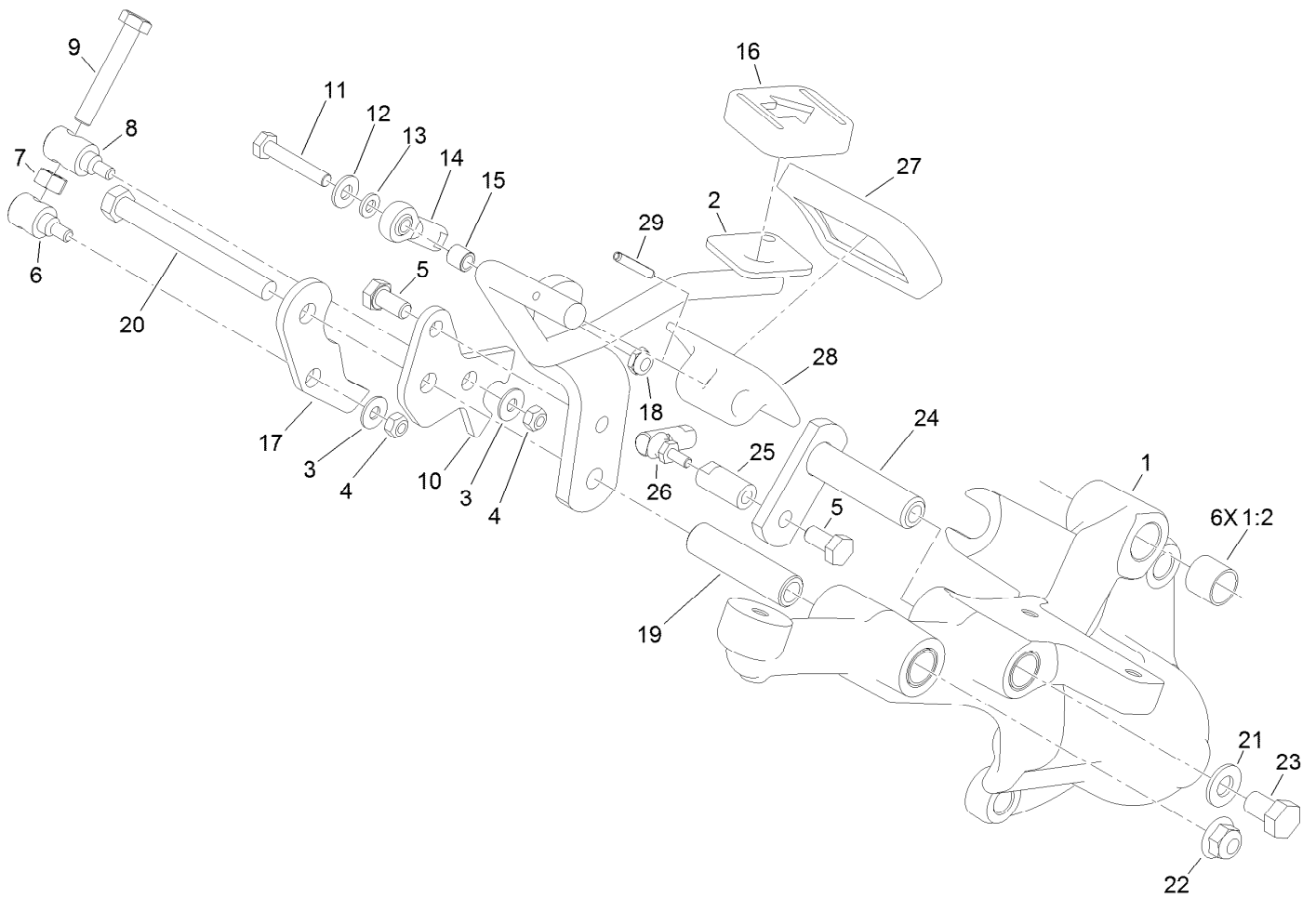
Frame Assembly

<i>Ref.</i>	<i>Part Number</i>	<i>Qty.</i>	<i>Description</i>
1	323-14	1	Screw-HH
2	131-1821	1	Mount-Engine
3	119-2134-01	1	Bracket-Mount, Rear
4	323-20	2	Screw-HH
5	322-4	4	Screw-HH
6	121-9076	2	Mount-Engine
7	110-4631	2	Tube-Spacer
8	104-8300	4	Nut-Flange, NI
9	87-5100	3	Washer-Snubbing
10	104-8301	6	Nut-Flange, NI
11	323-7	3	Screw-HH
12	131-6177-01	1	Frame
13	115-8196	1	Decal



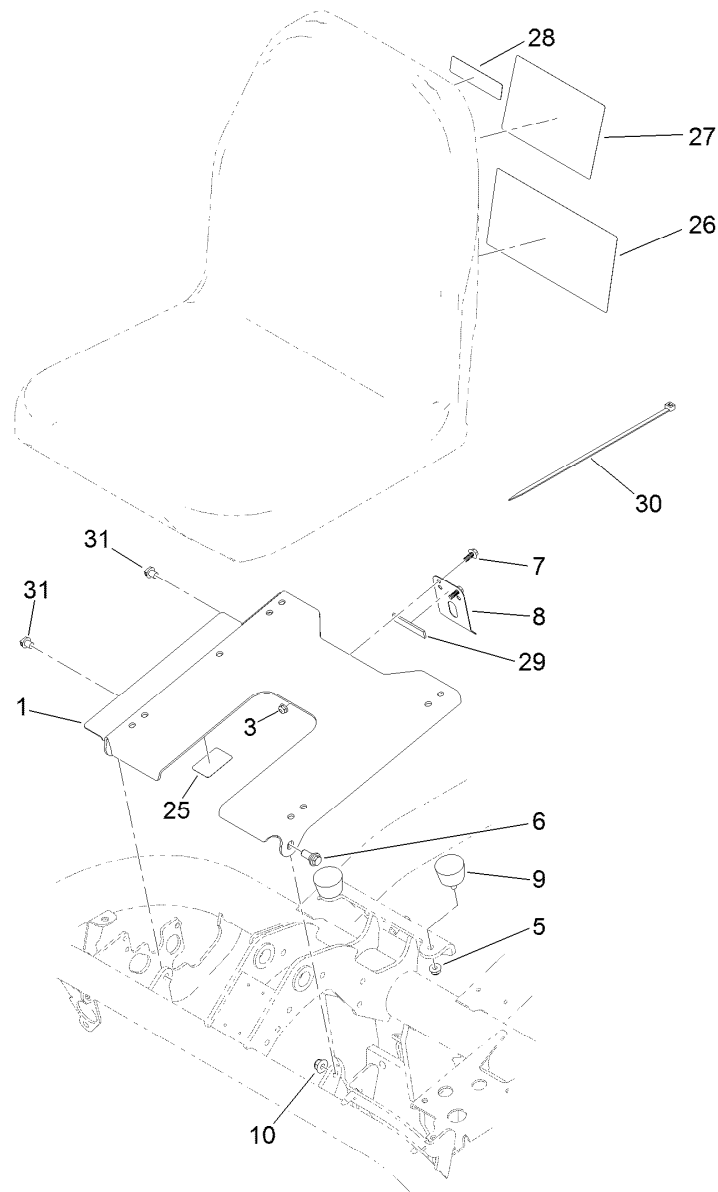
Platform Assembly

<i>Ref.</i>	<i>Part Number</i>	<i>Qty.</i>	<i>Description</i>
1	117-9009	1	Platform-LH
2	117-9008	1	Platform-RH
3	117-9072	2	Bumper-Rubber
4	115-8240	1	Screw-Elevator
5	32128-20	1	Nut-HF
6	3234-47	3	Screw-HHF
7	117-9035	3	Screw-HHF
8	117-9006-01	1	Support-Platform, LH
9	115-1794	3	Screw-HHF
10	94-8946	1	Washer-Thrust
11	84-1560	1	Washer-Thrust
12	324-4	1	Screw-HH
13	104-8300	4	Nut-Flange, NI
14	322-5	1	Screw-HH



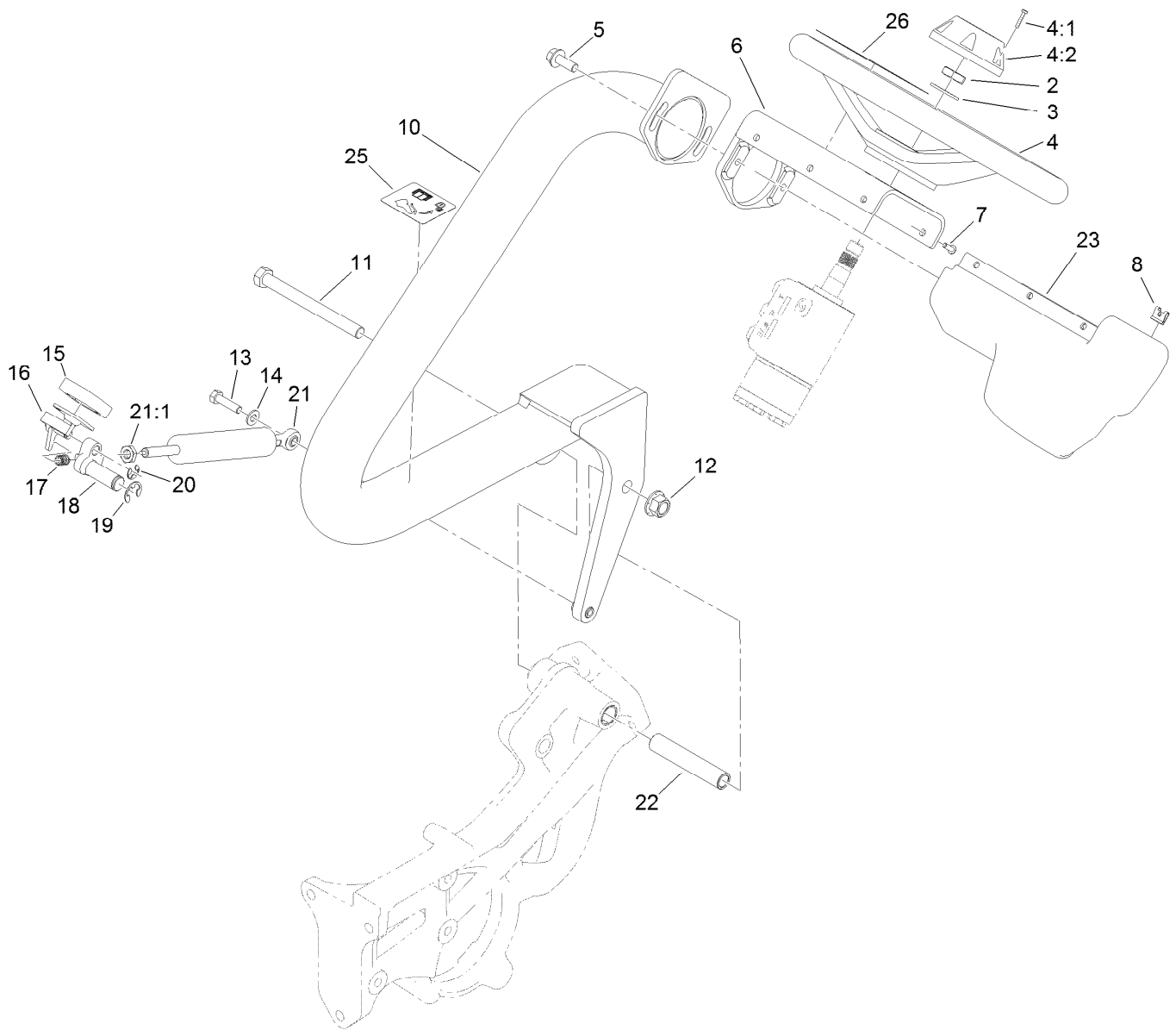
Right Hand Support Platform Assembly

<i>Ref.</i>	<i>Part Number</i>	<i>Qty.</i>	<i>Description</i>	<i>Ref.</i>	<i>Part Number</i>	<i>Qty.</i>	<i>Description</i>
1	117-9019	1	Support-Platform, RH	15	99-3545	1	Spacer
1:2	256-311	6	Bushing-Split	16	74-9110	1	Pad-Pedal, Reverse
2	119-1725-01	1	Rod-Traction	17	125-3011	1	Bracket-Mow
3	3256-1	2	Washer-Flat	18	3296-56	1	Nut-Lock, NI
4	33023-00	2	Nut-Lock	19	94-1371	1	Spacer
5	33114-016	2	Screw-HH	20	323-42	1	Screw-HH
6	94-1374	1	Trunnion-Bracket, Mow	21	3256-24	1	Washer-Flat
7	33014-00	1	Nut-Hex	22	104-8301	1	Nut-Flange, NI
8	94-1375	1	Trunnion-Bracket, Lock	23	33115-016	1	Screw-HH
9	94-3489	1	Screw-HH	24	94-1300	1	Lock-Neutral
10	117-9021	1	Bracket-Lock	25	94-1386	1	Shaft-Pedal
11	321-9	1	Screw-HH	26	2411-38	1	Joint-Ball
12	3256-22	1	Washer-Flat	27	74-9100	1	Pad-Pedal, Forward
13	33093-00	1	Washer-Flat	28	117-9507	1	Pedal-Accelerator
14	2411-41	1	Rod End-Ball Joint	29	32121-45	1	Pin-Spring



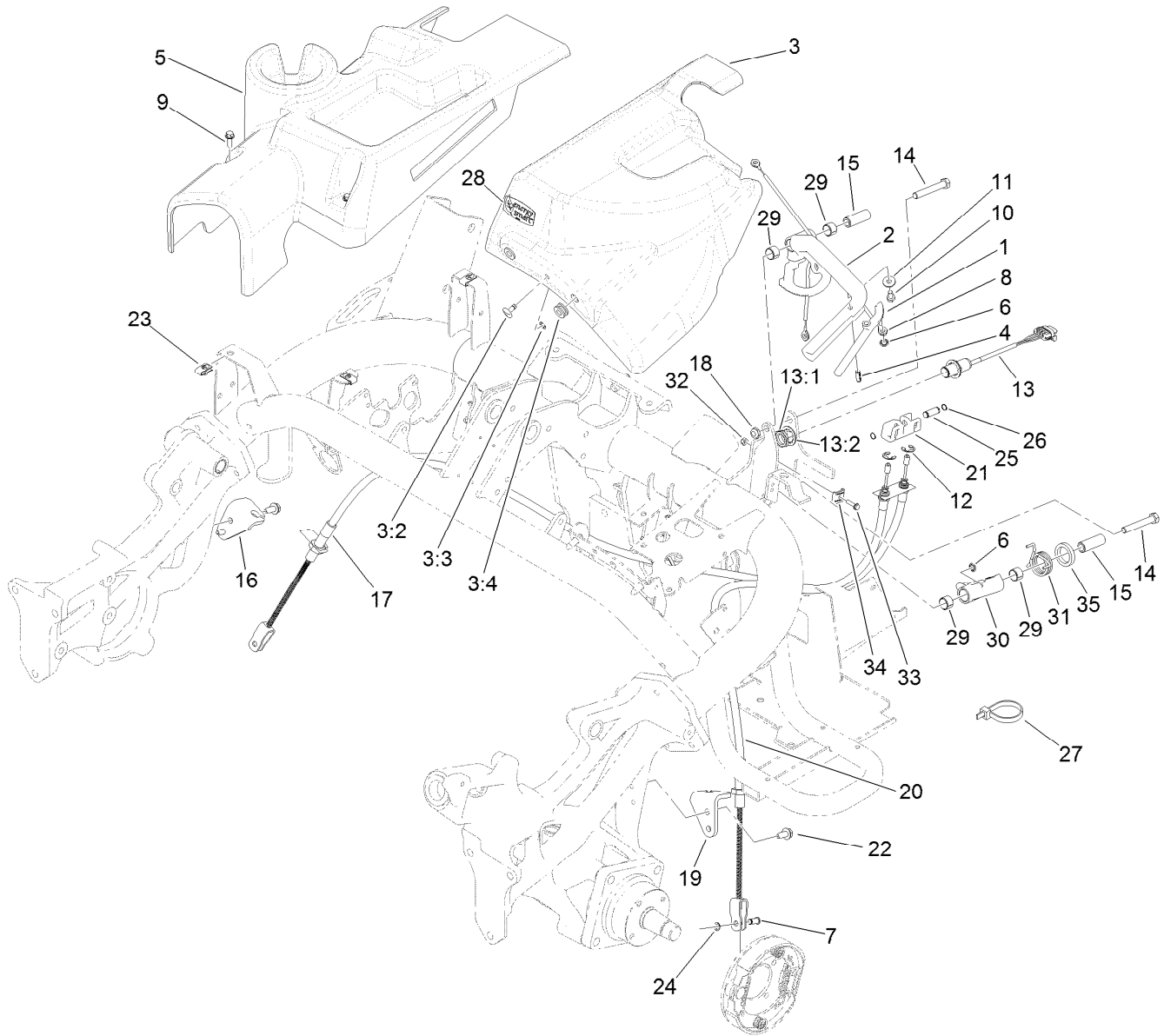
Seatbase Assembly

<i>Ref.</i>	<i>Part Number</i>	<i>Qty.</i>	<i>Description</i>	<i>Ref.</i>	<i>Part Number</i>	<i>Qty.</i>	<i>Description</i>
1	117-4440-03	1	Plate-Seat	26	115-8174	1	Decal-Service, Italian
3	104-7201	2	Nut-Flange, NI	26	115-8175	1	Decal-Service, Portuguese
5	104-8300	2	Nut-Flange, NI	26	115-8176	1	Decal-Service, Norwegian
6	94-7582	2	Bolt-Shoulder	26	115-8177	1	Decal-Service, Finnish
7	99-6810	2	Screw-HHF	26	115-8178	1	Decal-Service, Danish
8	66-2630	1	Latch-Seat	26	115-8179	1	Decal-Service, Dutch
9	68-3270	2	Bumper-Rubber	26	115-8180	1	Decal-Service, Japanese
10	104-8301	2	Nut-Flange, NI	26	119-9343	1	Decal-Aid, Quick Reference
25	115-8203	1	Decal-Reference, Fuse (Radiator Fan)	27	115-8156	1	Decal-Speed, Clip
26	115-8170	1	Decal-Service, Spanish	28	117-2718	1	Decal-Arrester, Spark
26	115-8171	1	Decal-Service, French	29	120-5753	1	Strip-Foam
26	115-8172	1	Decal-Service, German	30	3290-379	2	Tie-Cable
26	115-8173	2	Decal, Service, Swedish	31	32180-030	2	Clip-Tie



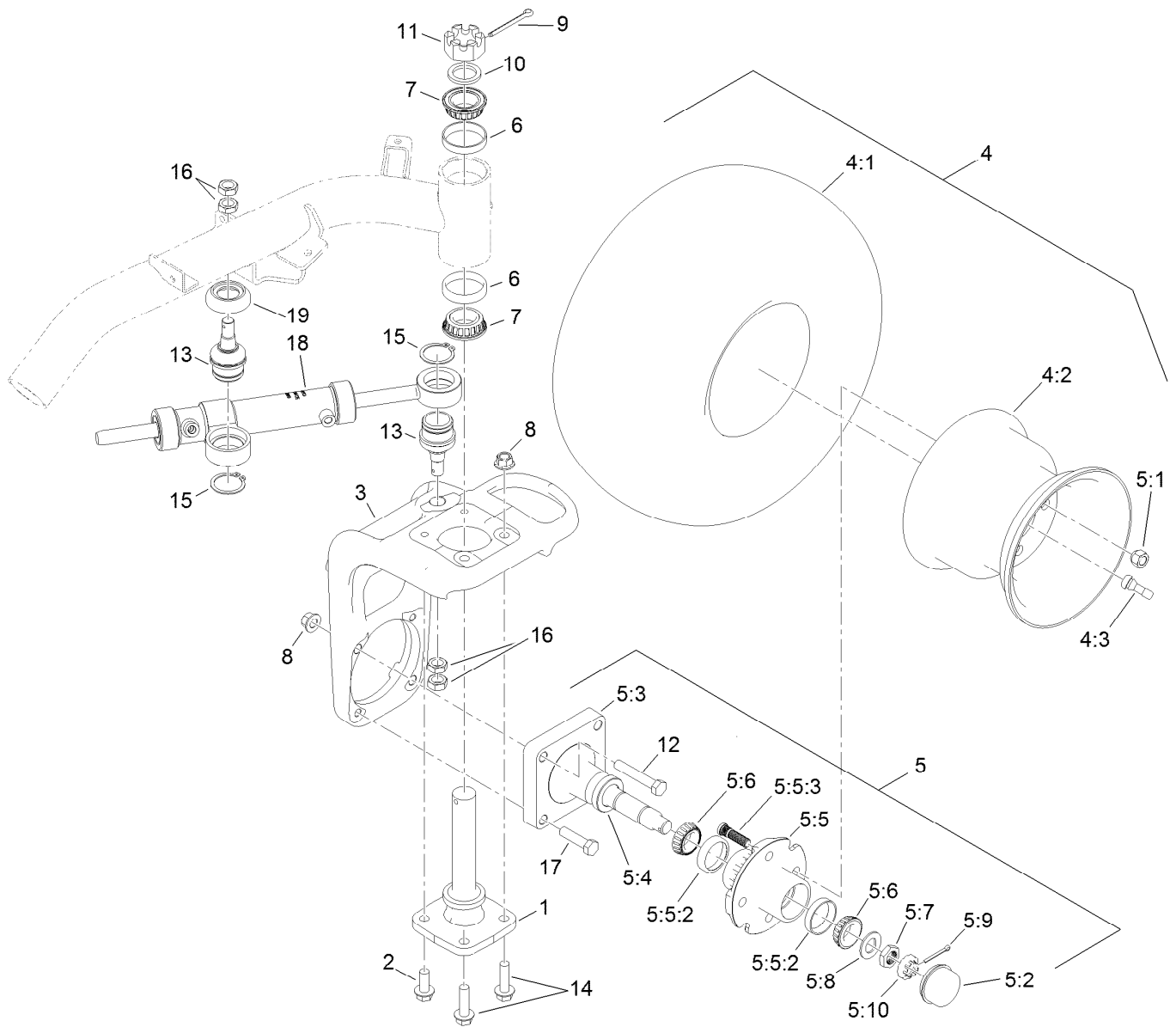
Steering Arm and Adjuster Assembly

<i>Ref.</i>	<i>Part Number</i>	<i>Qty.</i>	<i>Description</i>	<i>Ref.</i>	<i>Part Number</i>	<i>Qty.</i>	<i>Description</i>
2	3296-33	1	Nut-Lock, NI	15	74-9110	1	Pad-Pedal, Reverse
3	3256-27	1	Washer-Flat	16	117-4457	1	Lever ASM
4	75-0560	1	Steering Wheel ASM	17	106-9791	1	Spring
4:1	32144-21	1	Screw	18	117-9024	1	Lever-Pivot
4:2	68-5140	1	Cap-Wheel, Steering	19	32120-19	1	E-Ring
5	3234-42	2	Screw-HHF	20	105-7004	1	E-Ring
6	117-9346-03	1	Mount-Steering	21	125-5181	1	Cylinder-Gas
7	3274-39	6	Screw-HSBH	21:1	112-8617	1	Nut-Hex
8	3290-277	6	Nut-Speed	22	117-9002	1	Spacer
10	117-4444-01	1	Arm-Steering	23	119-9300	1	Cover-Valve, Steering
11	325-22	1	Screw-HH	25	119-9346	1	Decal-Arm, Steering
12	99-5107	1	Nut-Lock	26	121-2640	1	Decal-Danger, Ce
13	322-47	1	Screw-HH	26	121-2641	1	Decal-Danger
14	3256-23	1	Washer-Flat				



Brake Cable and Lever Assembly

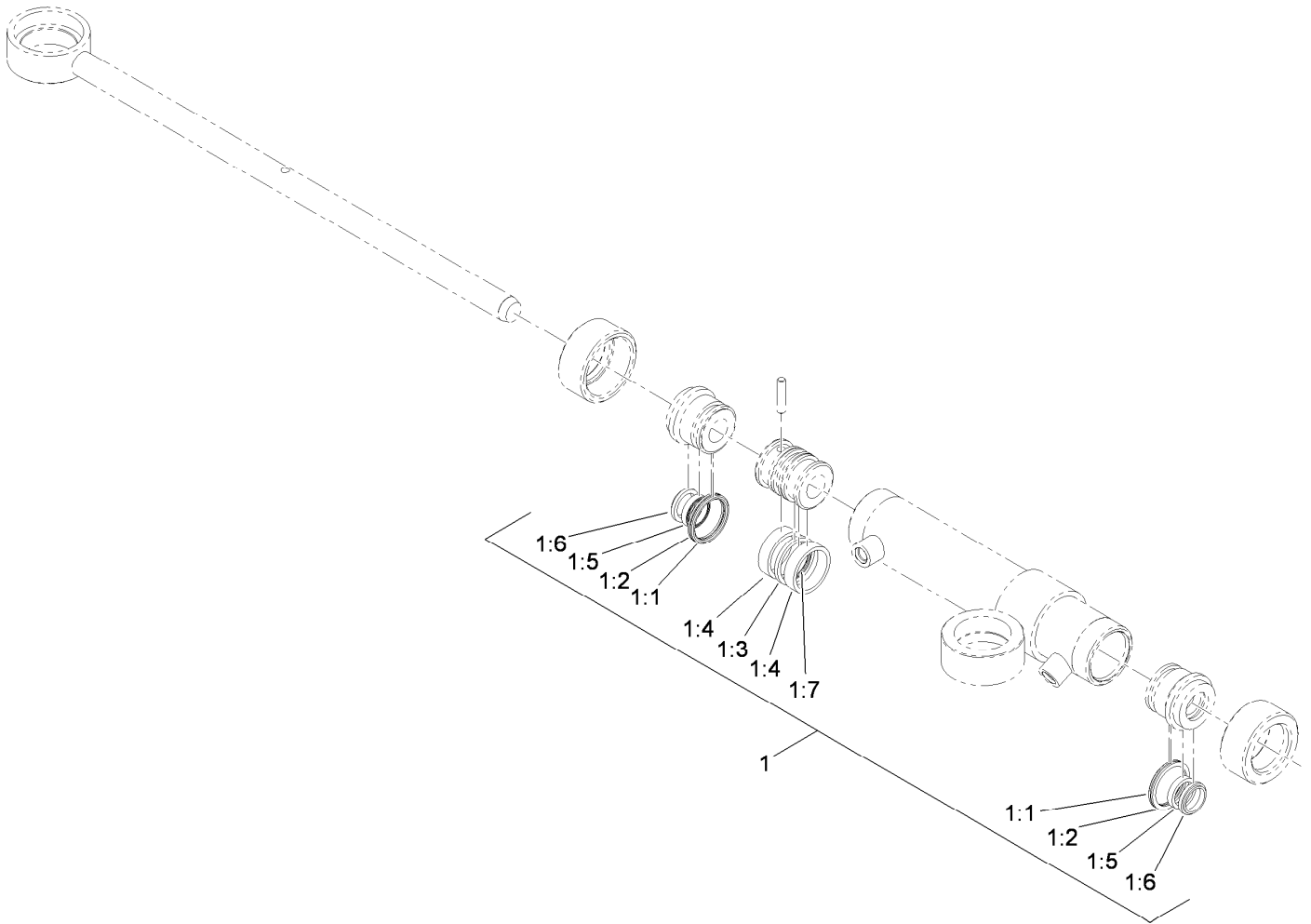
Ref.	Part Number	Qty.	Description	Ref.	Part Number	Qty.	Description
1	131-3003	1	Lever-Release	16	115-5787	1	Bracket-Brake Cable, RH
2	131-3024	1	Lever-Brake, Hand	17	131-1833	1	Cable-Brake, RH
3	131-3025	1	LH Cover ASM	18	3296-59	2	Nut-Lock, NI
3:2	119-1728	1	Stud-1/4 Turn	19	114-9997	1	Bracket-Brake Cable, LH
3:3	119-1729	1	Retainer-Stud	20	131-1834	1	Cable-Brake, LH
3:4	92-5972	2	Grommet-Rubber	21	131-3065	1	Equalizer-Cable
4	32121-24	1	Pin-Spring	22	32104-32	4	Screw-HWH
5	131-3101	1	Cover-Side, RH	23	107069	3	Clip
6	104-8310	2	Ring-Retaining	24	701197	2	E-Ring
7	109-6887	2	Pin-Clevis	25	131-3021	1	Pin
8	131-3004	1	Cable	26	32120-46	1	Ring-Retaining
9	115-5103	3	Screw-HHF	27	3290-379	1	Tie-Cable
10	321-2	1	Screw-HH	28	119-7580	1	Decal-Energy Smart
11	3256-67	1	Washer-Flat	29	1-653600	4	Bushing
12	32120-47	2	Ring-Retaining, External	30	131-3058	1	Pawl-Brake
13	115-5300	1	Proximity Switch ASM	31	131-3020	1	Spring-Torsion
13:1	117-3207	2	Nut-Hex	32	3296-2	1	Nut-Lock, NI
13:2	117-3208	2	Washer-Lock, Internal Tooth	33	3290-126	1	Screw-HWH
14	323-12	2	Screw-HH	34	81-1690	1	Clamp-Cable
15	131-3017	2	Spacer	35	95-6427	1	Spacer-Bearing



Back Wheel Assembly

Ref.	Part Number	Qty.	Description	Ref.	Part Number	Qty.	Description
1	115-2657	1	Spindle-Steering	5:8	117-8259	1	Washer-Spindle
2	3234-38	2	Screw-HHF	5:9	3272-18	1	Pin-Cotter
3	117-4366-01	1	Base-Fork, Rear	5:10	93-0307	1	Nut-Lock, Retainer
4		1	Wheel And Tire ASM ●	6	115-9471	2	Bearing-Cup
4:1	120-2783	1	Tire	7	115-9472	2	Bearing-Cone And Seal
4:2	217-60	1	Rim	8	99-5107	4	Nut-Lock
4:3	232-27	1	Stem-Valve	9	3272-37	1	Pin-Cotter
5	119-4490	1	Wheel Spindle ASM	10	18-6320	1	Washer-Steering
5:1	242-50	4	Nut-Lug	11	32136-9	1	Nut-Hex, Slotted
5:2	241-119	1	Cap-Dust	12	325-12	2	Screw-HH
5:3	112-7173	1	Spindle	13	117-9875	2	Joint-Ball
5:4	112-1690	1	Seal-Oil	14	3234-22	2	Screw-HHF
5:5	117-9093	1	Hub ASM	15	32151-104	2	Ring-Retaining, External
5:5:2	254-72	2	Bearing-Cup, Tapered	16	3220-6	4	Nut-Jam
5:5:3	114-3918	4	Stud-Wheel	17	325-8	2	Screw-HH
5:6	254-92	2	Cone-Bearing, Outer	18	117-4480	1	HYD Cylinder ASM
5:7	117-8260	1	Nut	19	120-2026	1	Spacer-Cylinder

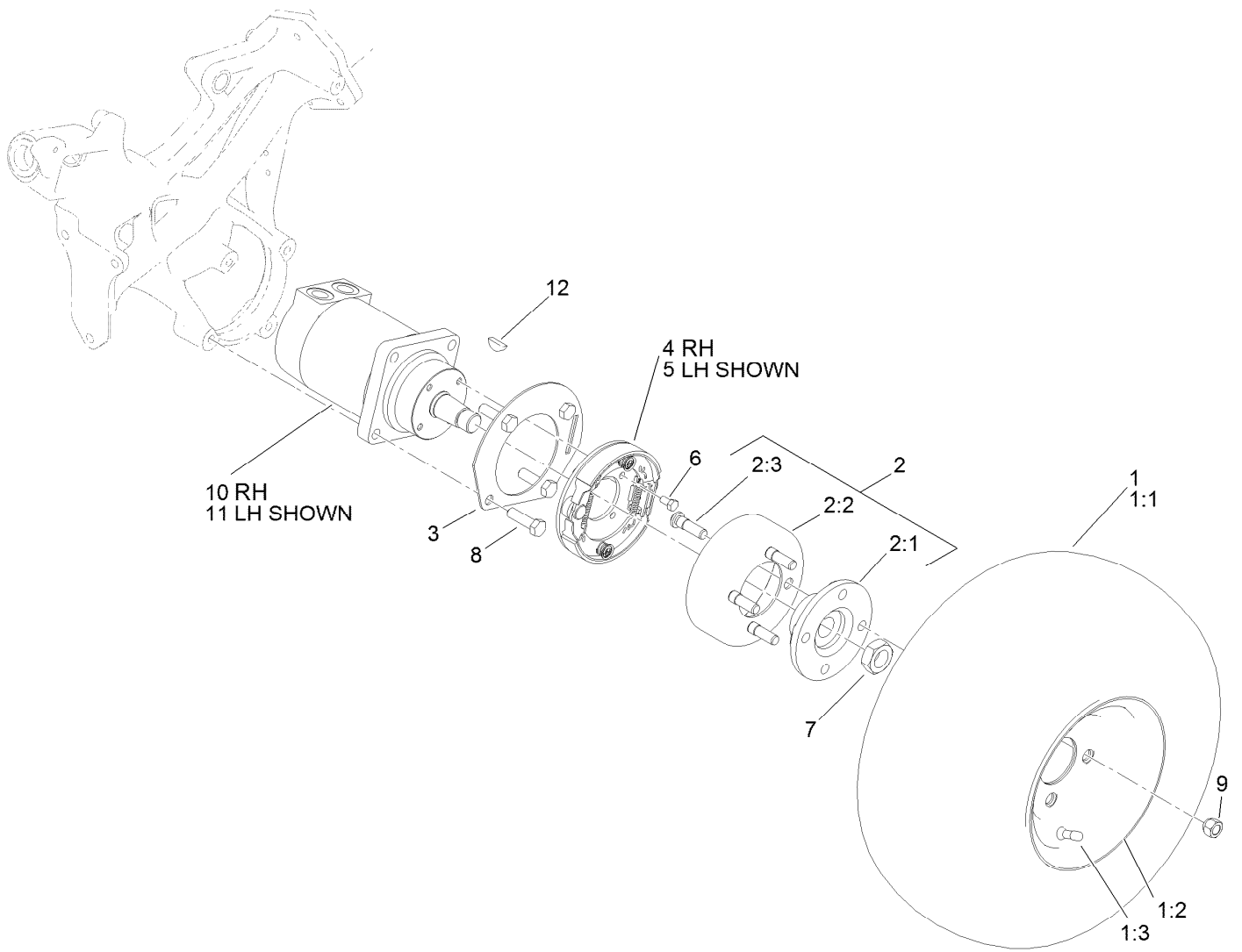
● Not serviced separately



Hydraulic Cylinder Assembly No. 117-4480

<i>Ref.</i>	<i>Part Number</i>	<i>Qty.</i>	<i>Description</i>
1	119-7124	1	Kit-Seal
1:1		2	O-Ring ●
1:2		2	Ring-Backup ●
1:3		1	Seal-Psp ●
1:4		2	Ring-Wear ●
1:5		2	Seal-Bs ●
1:6		2	Seal-Dust ●
1:7		1	O-Ring ●

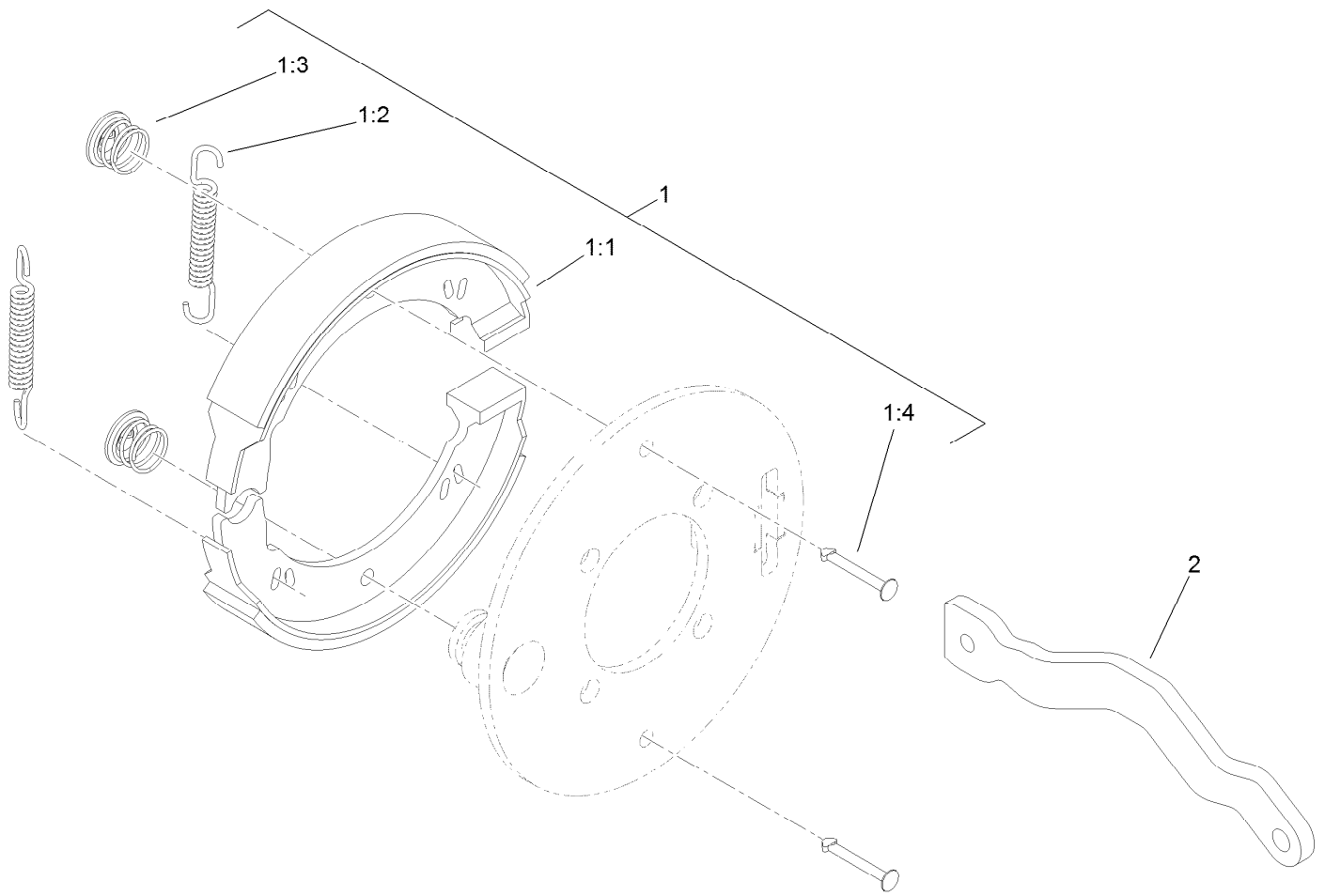
● Not serviced separately



Front Wheel Assembly

Ref.	Part Number	Qty.	Description	Ref.	Part Number	Qty.	Description
1		2	Wheel And Tire ASM ●	4	115-9441	1	RH Brake ASM
1:1	120-2783	1	Tire	5	115-9440	1	LH Brake ASM
1:2	117-9032	1	Rim	6	322-2	8	Screw-HH
1:3	232-27	1	Stem-Valve	7	26-3790	2	Nut-Lock
2	115-2661	2	Brake Drum ASM	8	325-7	8	Screw-HH
2:1	115-2662-03	1	Hub-Wheel	9	242-50	8	Nut-Lug
2:2	115-2663	1	Drum-Brake	10	117-4302	1	RH Wheel Motor ASM
2:3	85-6540	4	Stud-Drive	11	117-4303	1	LH Wheel Motor ASM
3	114-9998-03	2	Tab-Lever, Brake	12	3257-42	1	Key-Woodruff

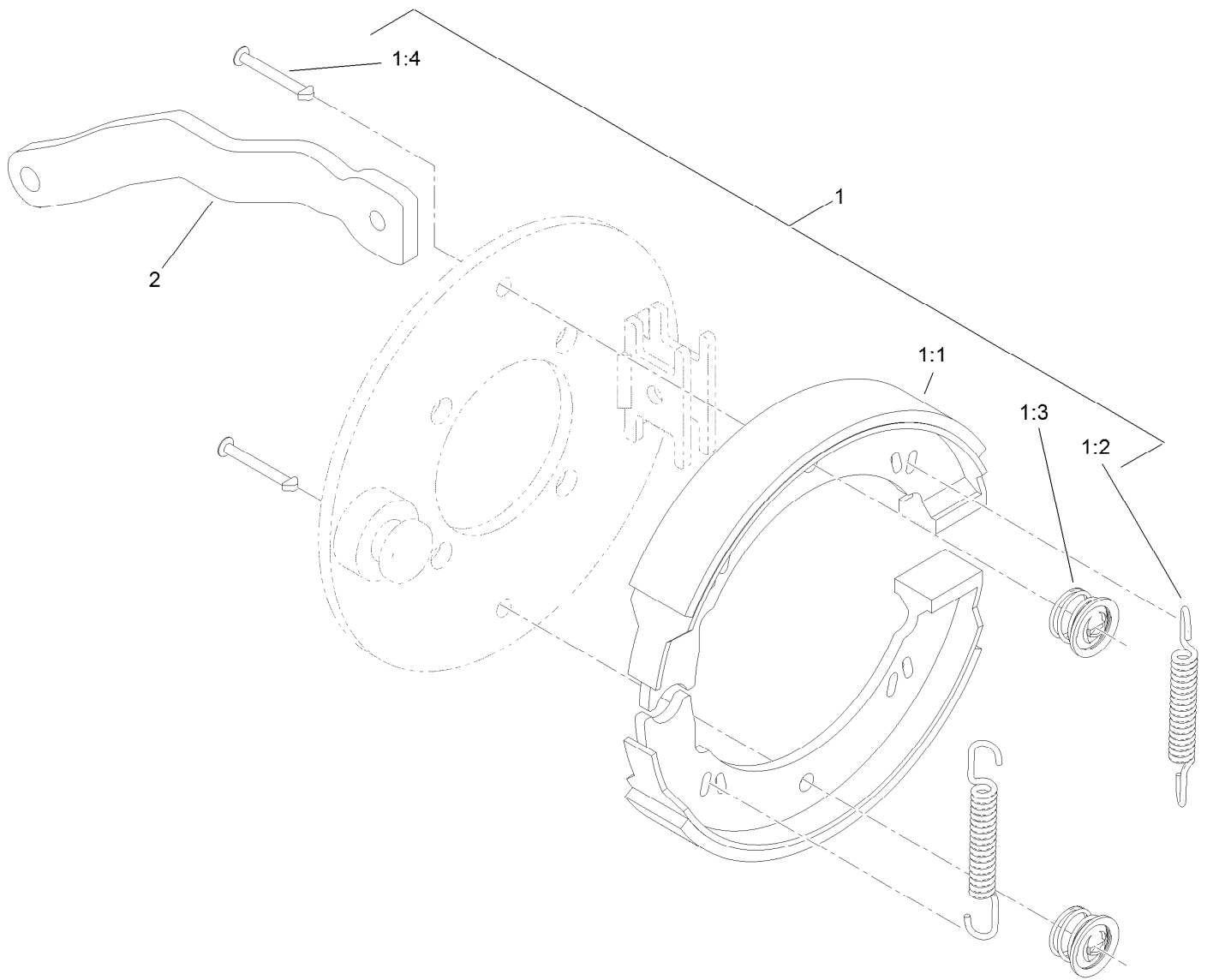
● Not serviced separately



Right Hand Brake Assembly No. 115-9441

Ref.	Part Number	Qty.	Description
1	119-7136	1	Kit-Brake
1:1		2	Shoe-Brake ●
1:2		2	Spring ●
1:3		2	Clip ●
1:4		2	Pin-Retainer ●
2	115-5789	1	Lever-Brake, RH

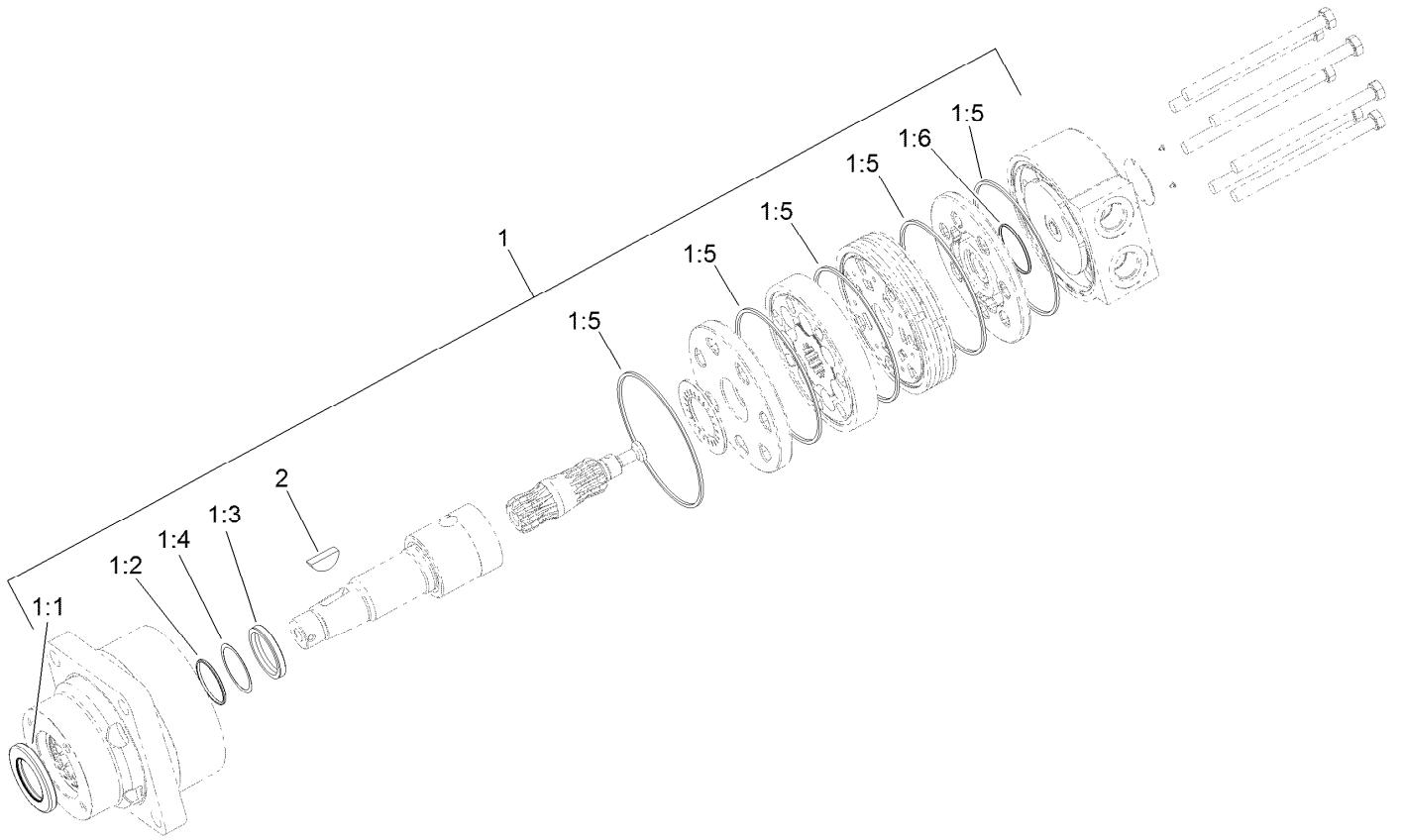
● Not serviced separately



Left Hand Brake Assembly No. 115-9440

Ref.	Part Number	Qty.	Description
1	119-7136	1	Kit-Brake
1:1		2	Shoe-Brake ●
1:2		2	Spring ●
1:3		2	Clip ●
1:4		2	Pin-Retainer ●
2	115-2664	1	Lever-Brake, LH

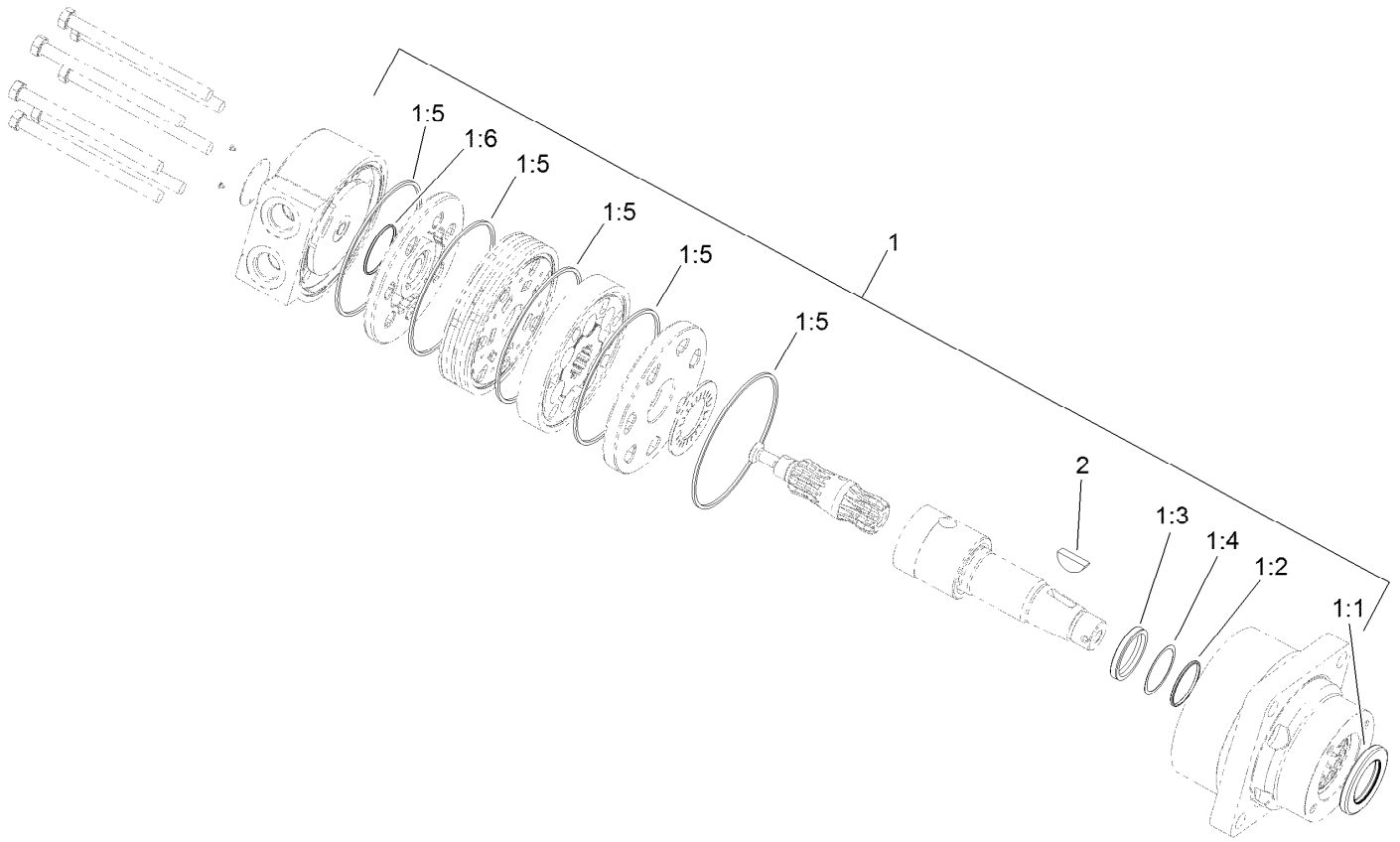
● Not serviced separately



Right Hand Wheel Motor Assembly No. 117-4302

Ref.	Part Number	Qty.	Description
1	94-8178	1	Seal Kit
1:1		1	Seal-Dirt And Water ●
1:2		1	Backup-Ring ●
1:3		1	Seal-Shaft ●
1:4		1	Washer-Backup ●
1:5		5	Seal-Square, Ring (Inner) ●
1:6		1	Seal-Commutator ●
2	3257-42	1	Key-Woodruff

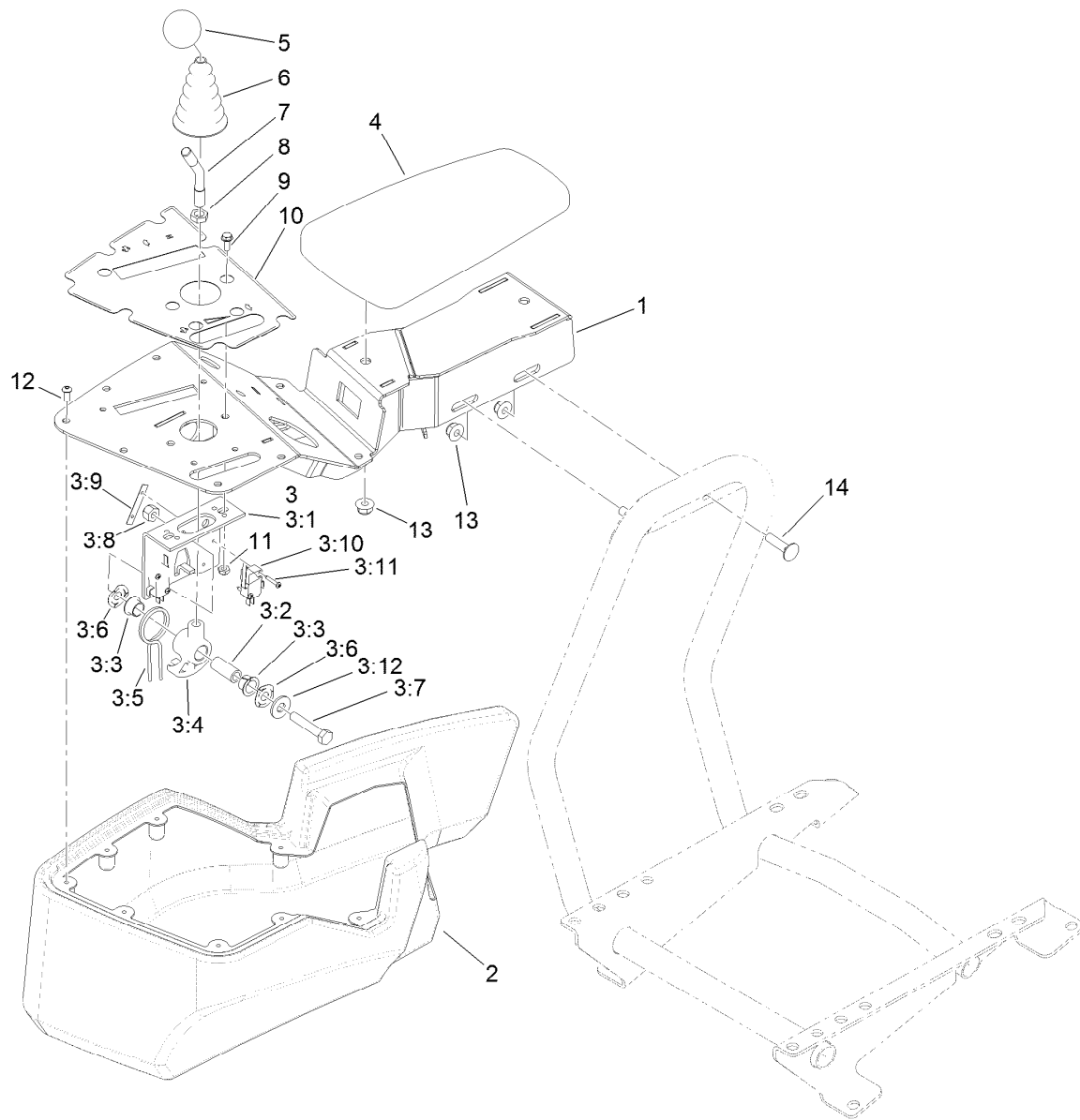
● Not serviced separately



Left Hand Wheel Motor Assembly No. 117-4303

<i>Ref.</i>	<i>Part Number</i>	<i>Qty.</i>	<i>Description</i>
1	94-8178	1	Seal Kit
1:1		1	Seal-Dirt And Water ●
1:2		1	Backup-Ring ●
1:3		1	Seal-Shaft ●
1:4		1	Washer-Backup ●
1:5		5	Seal-Square, Ring (Inner) ●
1:6		1	Seal-Commutator ●
2	3257-42	1	Key-Woodruff

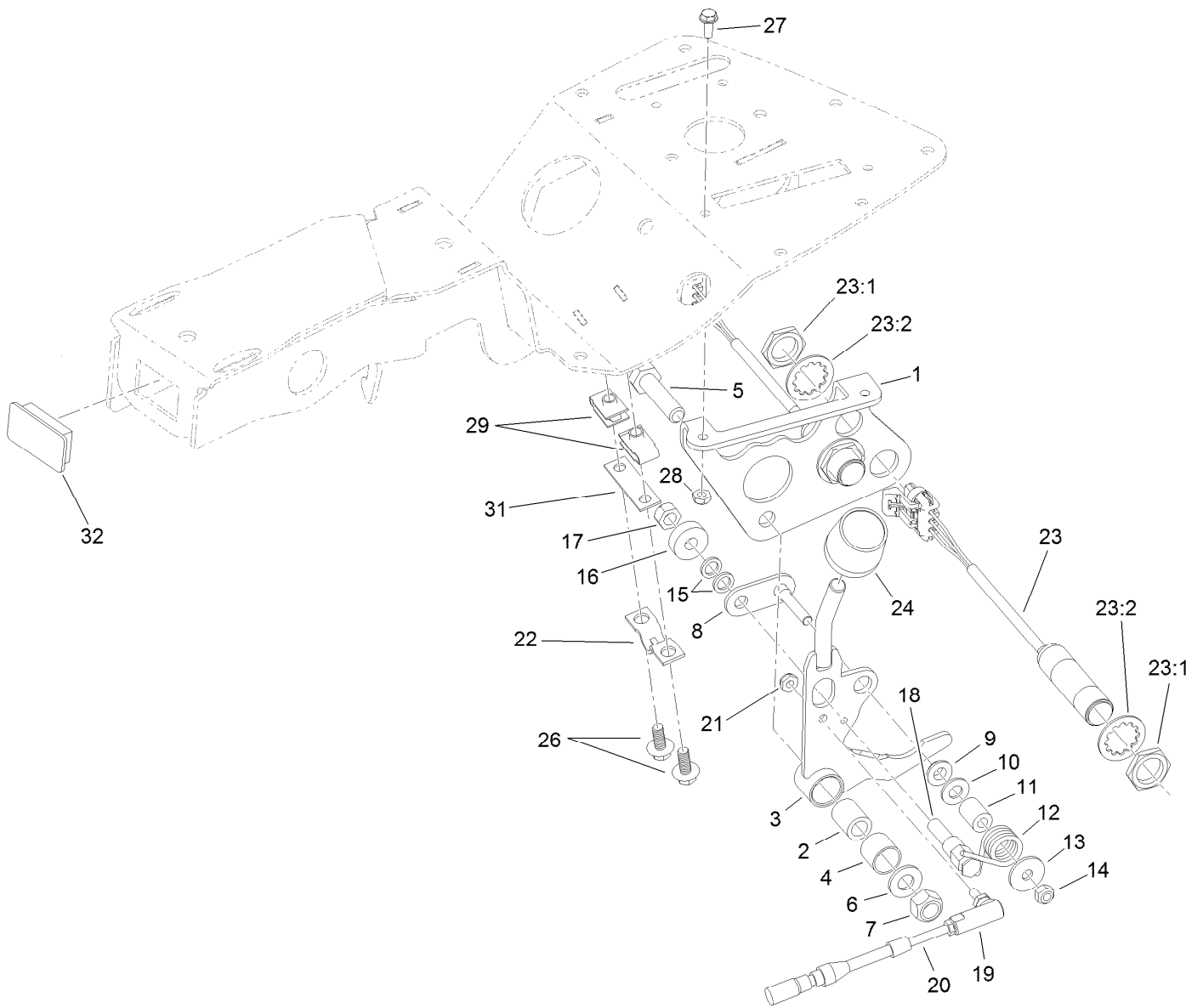
● Not serviced separately



Console and Reel Control Assembly

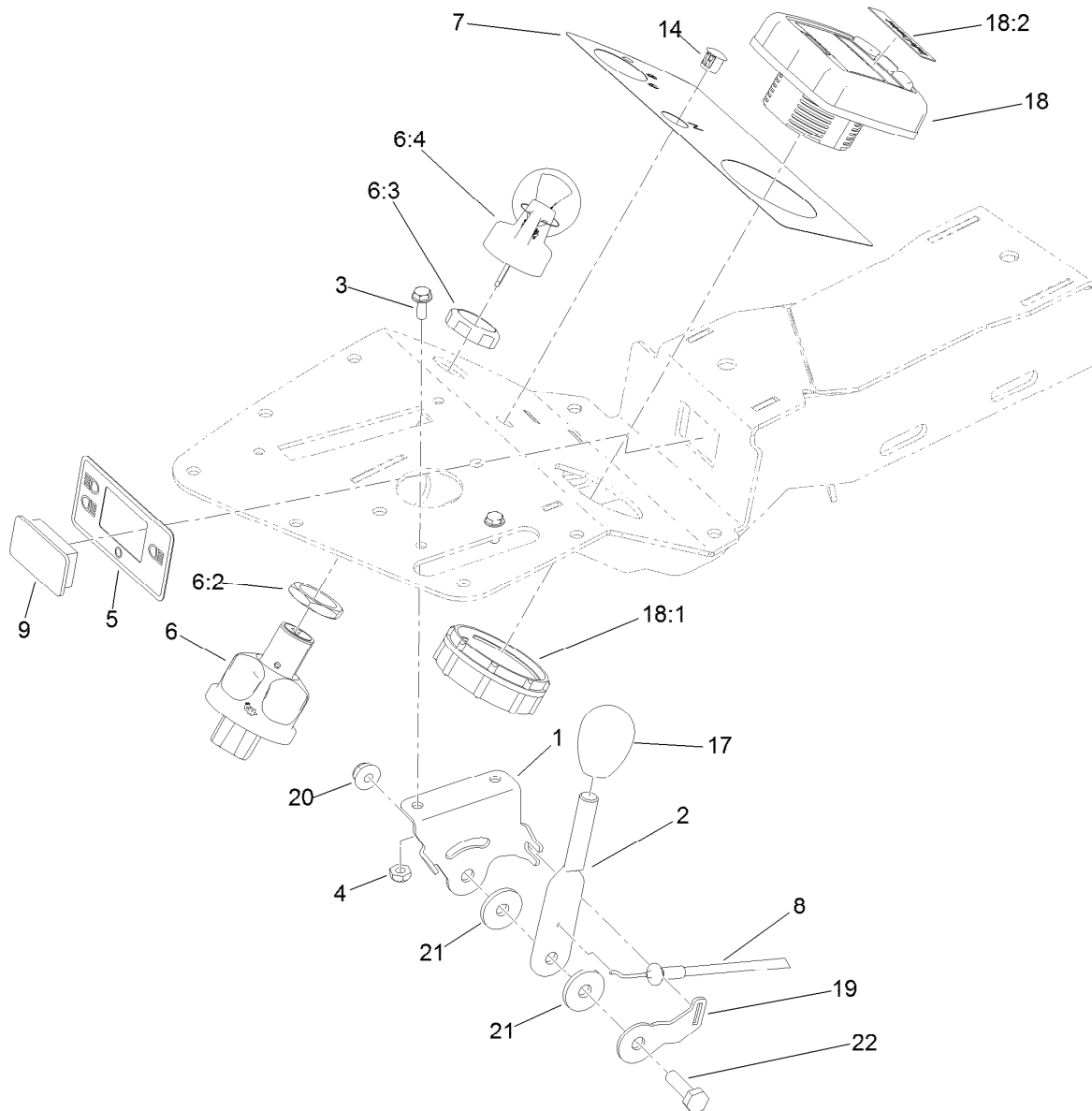
Ref.	Part Number	Qty.	Description
1	120-2048-03	1	Console
2	121-5152	1	Cover-Console
3	106-4167	1	Joystick Bracket ASM
3:1	115-5357-03	1	Bracket-Joystick
3:2	106-4192	1	Spacer
3:3	93-5547	2	Bushing-Nylon
3:4	105-7507	1	Hub-Pivot, Joystick
3:5	105-8289	1	Spring-Torsion
3:6	106-4193	2	Washer-Finger, Spring
3:7	322-9	1	Screw-HH
3:8	3296-29	1	Nut-Lock, NI
3:9	3290-354	2	Nut-Speed
3:10	108-6496	2	Switch (W/Boot)

Ref.	Part Number	Qty.	Description
3:11	95-3003	4	Screw-PPHTF
3:12	3256-3	1	Washer-Flat
4	108-7602	1	Rest-Arm
5	120-9752	1	Knob-Round, Yellow
6	93-5961	1	Boot-Lever
7	121-6681	1	Stem-Joystick
8	3218-3	1	Nut-Jam
9	3290-321	2	Screw-HWH
10	121-5169	1	Decal-Console
11	3296-12	2	Nut-Lock, NI
12	115-9830	8	Screw-HSBH
13	104-8300	4	Nut-Flange, NI
14	3230-3	2	Screw-CARR



Traction Interface Control Assembly

<i>Ref.</i>	<i>Part Number</i>	<i>Qty.</i>	<i>Description</i>	<i>Ref.</i>	<i>Part Number</i>	<i>Qty.</i>	<i>Description</i>
1	115-9774-03	1	Bracket-Function, Lever	17	33024-00	1	Nut-Lock, NI
2	94-1378	1	Tube-Pivot, Handle	18	94-9617	1	Pin-Spring
3	115-9772	1	Handle ASM	19	2411-38	1	Joint-Ball
4	256-311	1	Bushing-Split	20	115-8247	1	Cable-Lock, Neutral
5	33115-040	1	Screw-HH	21	3296-27	1	Nut-Lock, NI
6	3256-24	1	Washer-Flat	22	93-2279	1	Clamp-Cable
7	33025-00	1	Nut-Lock, NI	23	115-5300	2	Proximity Switch ASM
8	120-3198	1	Roller-Pivot	23:1	117-3207	2	Nut-Hex
9	94-9619	1	Bushing	23:2	117-3208	2	Washer-Lock, Internal Tooth
10	3256-23	1	Washer-Flat	24	120-9753	1	Knob-Cylindrical, Orange
11	94-9618	1	Spacer-Spring	26	99-6810	2	Screw-HHF
12	94-9620	1	Spring-Torsion	27	3290-321	2	Screw-HWH
13	3256-67	1	Washer-Flat	28	3296-12	2	Nut-Lock, NI
14	33023-00	1	Nut-Lock	29	107069	2	Clip
15	75-5470	2	Spacer-Bearing	31	125-5653	1	Shim
16	251-259	1	Bearing-Ball	32	99-7420	1	Plug-Hole



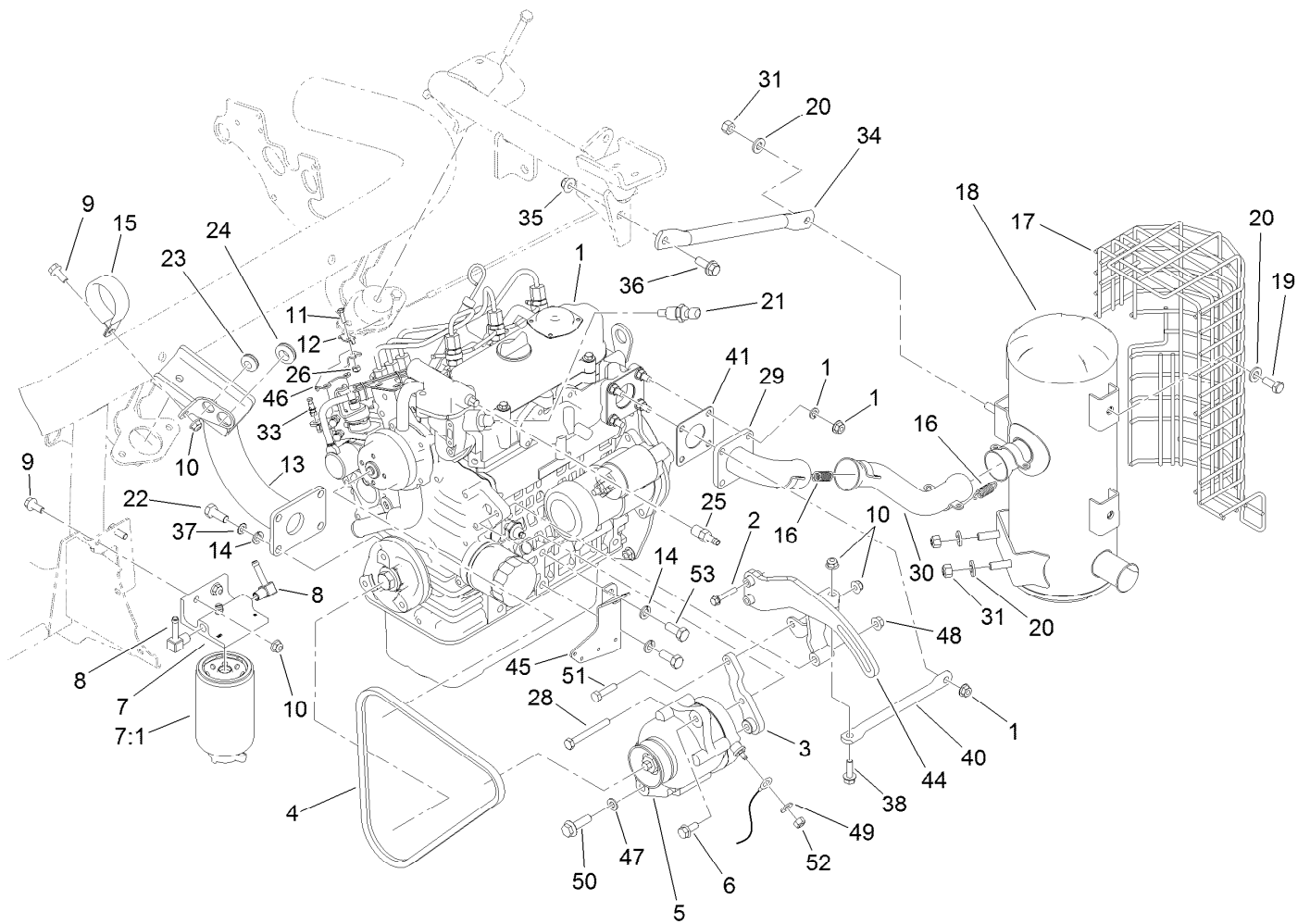
Ignition, Throttle and Choke Control Assembly

<i>Ref.</i>	<i>Part Number</i>	<i>Qty.</i>	<i>Description</i>	<i>Ref.</i>	<i>Part Number</i>	<i>Qty.</i>	<i>Description</i>
1	125-3013	1	Bracket-Throttle	9	99-7420	1	Plug-Hole
2	125-3014	1	Lever-Throttle	14	104-9368	1	Plug-Dome
3	3290-321	2	Screw-HWH	17	120-9751	1	Knob-Oval, Black
4	3296-12	2	Nut-Lock, NI	18	120-6310	1	Lcd Display ASM
5	131-2046	1	Decal-Light, Console	18:1	120-4630	1	Nut-Display
6	121-5159	1	Ignition Switch ASM	18:2	120-6311	1	Decal-Display
6:2	121-5160	1	Nut-Hex	19	125-3015	1	Bracket-Clamp, Cable
6:3	121-5161	1	Nut-Face	20	104-7201	1	Nut-Flange, NI
6:4	121-5162	1	Ignition Key Set	21	66-2921	2	Washer-Friction
7	121-5171	1	Decal-Console	22	321-5	1	Screw-HH
8	125-3017	1	Cable-Throttle				



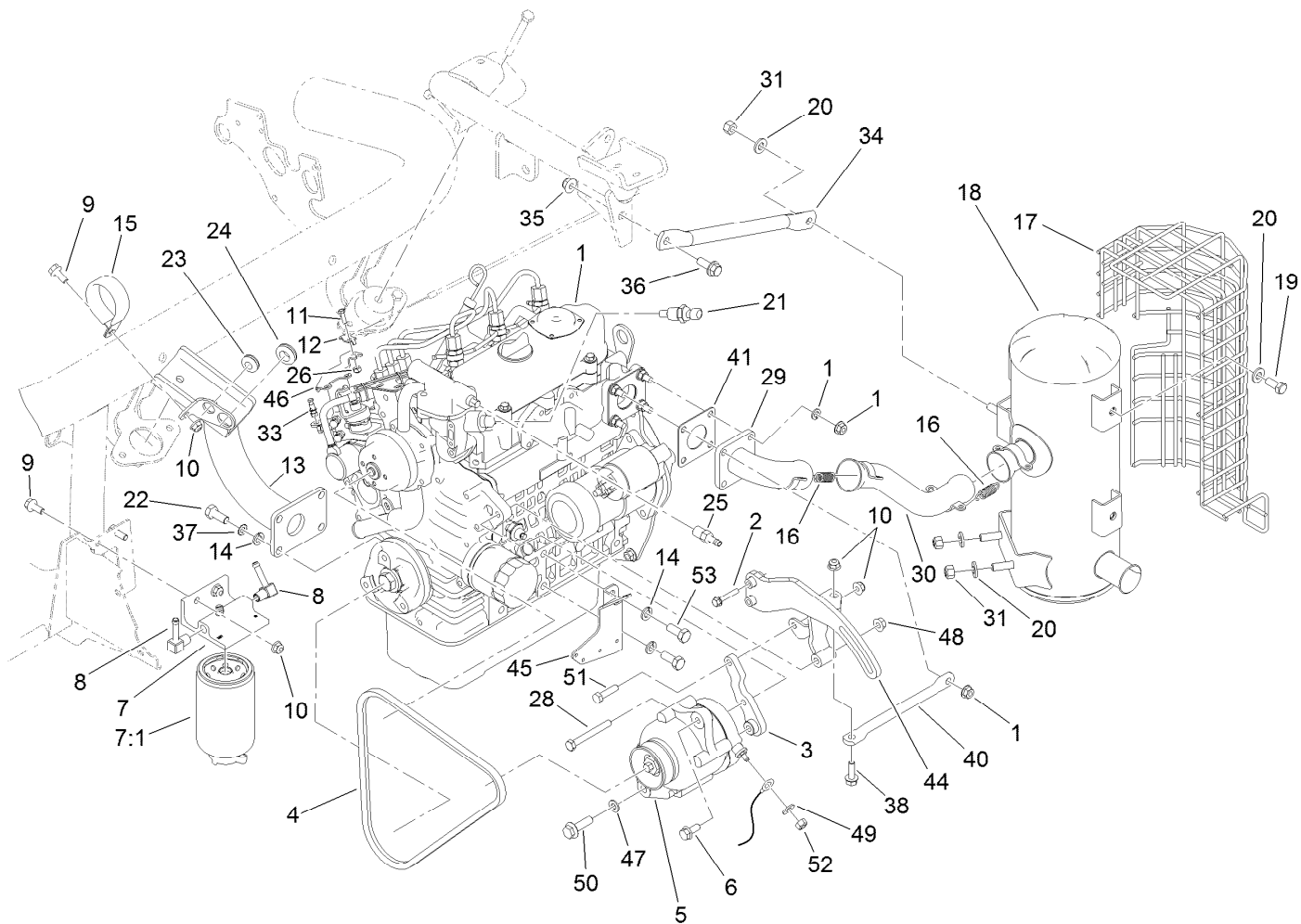
Console Cable Routing Assembly

<i>Ref.</i>	<i>Part Number</i>	<i>Qty.</i>	<i>Description</i>
5	3290-379	4	Tie-Cable
6	120-1959	1	Clamp-R, Double



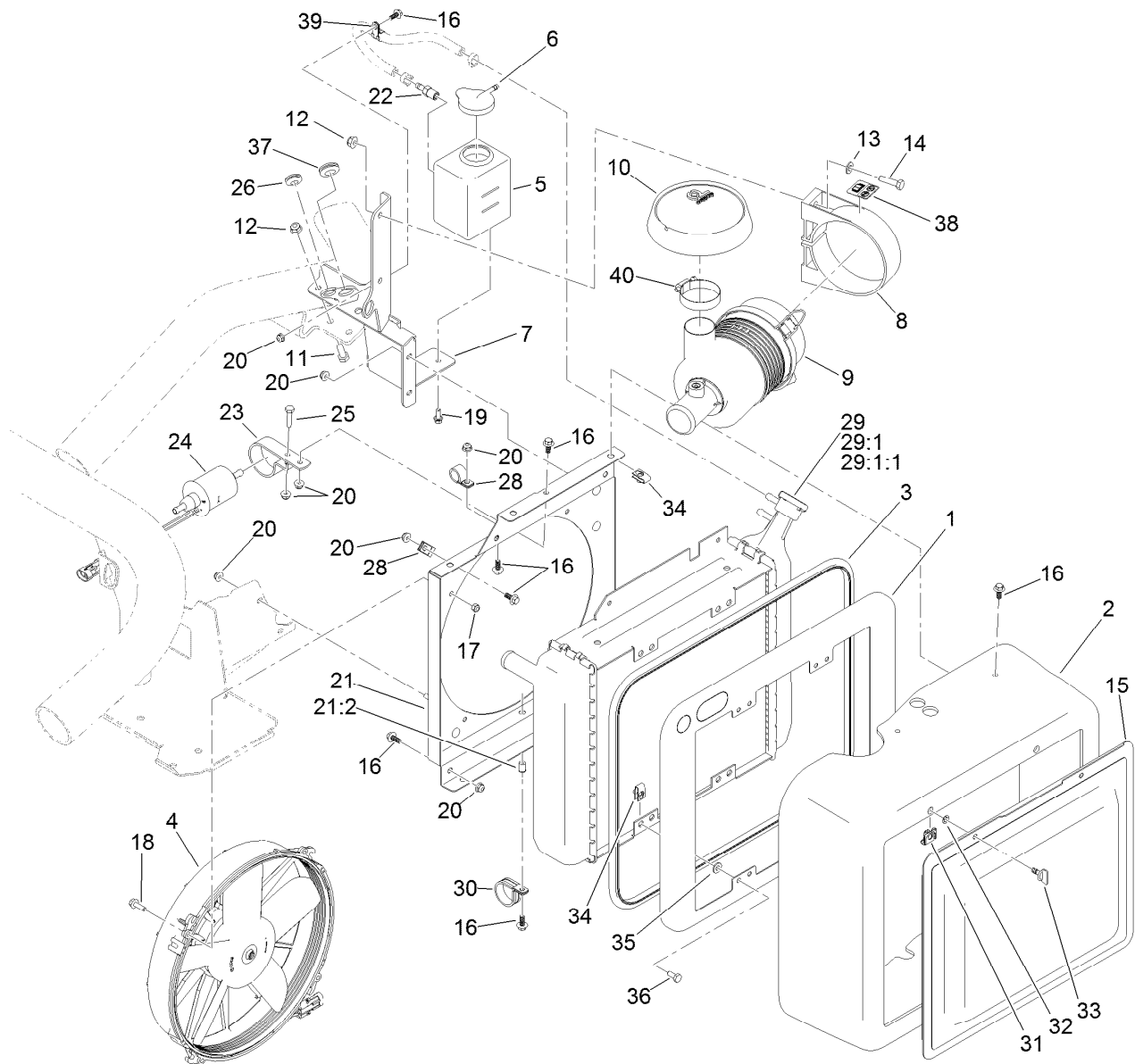
Engine and Exhaust Assembly

Ref.	Part Number	Qty.	Description	Ref.	Part Number	Qty.	Description
1	127-9655	1	Engine-Kubota, D902	21	119-4478	1	Sender-Temperature
2	33103-035	2	Screw-HHF	22	43-0090	4	Screw-HH
3	119-4428-03	1	Bracket-Alternator	23	1-633630	1	Grommet
4	119-4486	1	Belt-V, Fan	24	237-124	2	Grommet
5	117-5541	1	60 Amp Alternator ASM	25	353-783	1	Fitting-Straight
6	33104-020	1	Screw-HHF	26	3296-2	1	Nut-Lock, NI
7	110-9044	1	Separator-Filter	28	119-8194	1	Screw-HH
7:1	110-9049	1	Filter-Spin On	29	114-8009	1	Exhaust Plate ASM
8	353-707	2	Fitting-HYD, 90 DEG	30	114-8013	1	Exhaust Pipe ASM
9	3234-47	2	Screw-HHF	31	32152-2	4	Nut-Lock, Cone
10	104-8300	5	Nut-Flange, NI	33	108-5928	1	Swivel-Stop, Cable
11	3290-134	1	Screw	34	120-1956-03	1	Tube-Brace
12	613385	1	Clamp-Cable	35	104-8301	1	Nut-Flange, NI
13	119-2128-03	1	Support-Engine	36	3234-42	1	Screw-HHF
14	42-9600	6	Washer-Lock, Spring	37	3255-8	1	Washer-Lock
15	115-9469	1	Clamp-R	38	3234-29	2	Screw-HHF
16	104-6478	4	Spring-Extension	40	120-1961-03	1	Tube-Brace
17	115-8718-03	1	Shield-Muffler	41	99-8343	1	Gasket-Muffler
18	120-1950	1	Muffler ASM	44	119-8182-03	1	Bracket-Alternator
19	323-5	4	Screw-HH	45	120-1964-03	1	Bracket-Harness
20	100-4852	8	Washer-Hardened	46	125-3016	1	Bracket-Support, Throttle



Engine and Exhaust Assembly (continued)

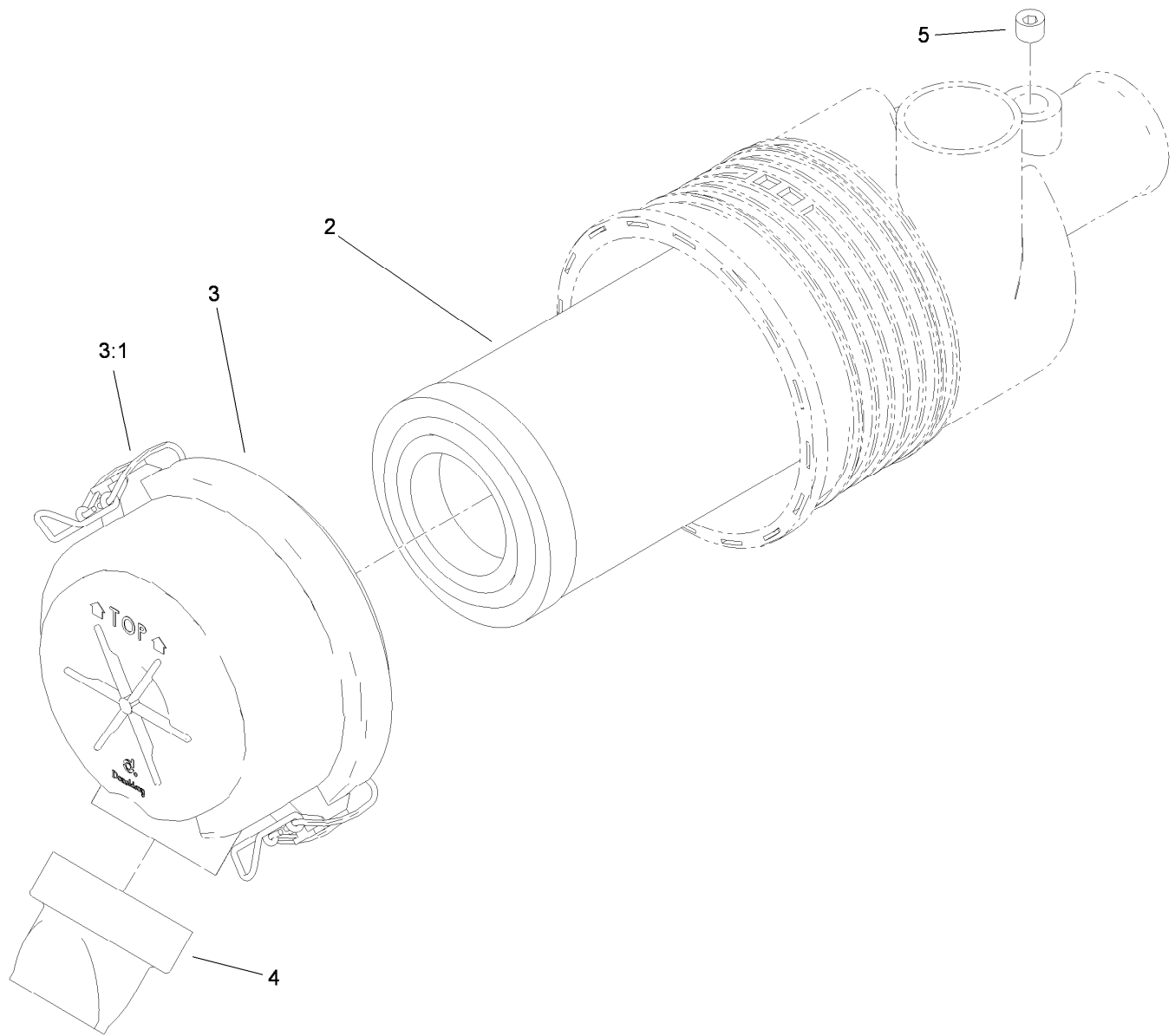
<i>Ref.</i>	<i>Part Number</i>	<i>Qty.</i>	<i>Description</i>	<i>Ref.</i>	<i>Part Number</i>	<i>Qty.</i>	<i>Description</i>
47	3256-23	1	Washer-Flat	51	322-6	1	Screw-HH
48	33004-00	1	Nut-HF	52	33013-00	1	Nut-Hex
49	3256-2	1	Washer-Flat	53	63-7790	2	Screw-Cap
50	33105-035	1	Screw-HHF				



Radiator, Fuel Pump and Air Cleaner Assembly

Ref.	Part Number	Qty.	Description
1	117-9307-03	1	Panel-Seal, Radiator
2	117-9296	1	Shroud-Radiator
3	117-9308	1	Trim-Seal
4	115-5765	1	Fan
5	120-5260	1	Tank-Overflow
6	1-643164	1	Cap-Tank, Overflow
7	131-2099-03	1	Bracket
8	95-5806	1	Bracket-Mounting
9	95-5805	1	Air Cleaner ASM
10	120-4848	1	Hood-Inlet, Air
11	322-4	2	Screw-HH
12	104-8300	4	Nut-Flange, NI
13	3256-23	2	Washer-Flat
14	322-6	2	Screw-HH
15	117-9311-03	1	Screen
16	99-6810	13	Screw-HHF
17	110-8451	4	Nut-Hex, NI
18	33103-020	4	Screw-HHF
19	3234-33	2	Screw-HHF
20	104-7201	13	Nut-Flange, NI
21	119-9038	1	Shroud ASM

Ref.	Part Number	Qty.	Description
21:2	32117-2	1	Insert-Threaded
22	353-783	1	Fitting-Straight
23	110-8817	1	Bracket-Pump, Fuel
24	110-8806	1	Pump-Fuel
25	321-7	1	Screw-HH
26	1-633630	1	Grommet
28	2412-87	2	Clamp-Cable
29	117-9860	1	Radiator
29:1	115-7766	1	Cap-Radiator
29:1:1	106-6755	1	Decal-Cap, Radiator
30	119-9037	1	Clamp-R
31	119-1730	2	Receptacle-Clip, Mini
32	119-1729	2	Retainer-Stud
33	120-1957	2	Stud-Rapier
34	107069	8	Clip
35	3256-22	4	Washer-Flat
36	321-3	4	Screw-HH
37	237-124	1	Grommet
38	115-8155	1	Decal-Warning
39	2412-134	1	Clamp-R
40	2412-92	1	Clamp-Hose



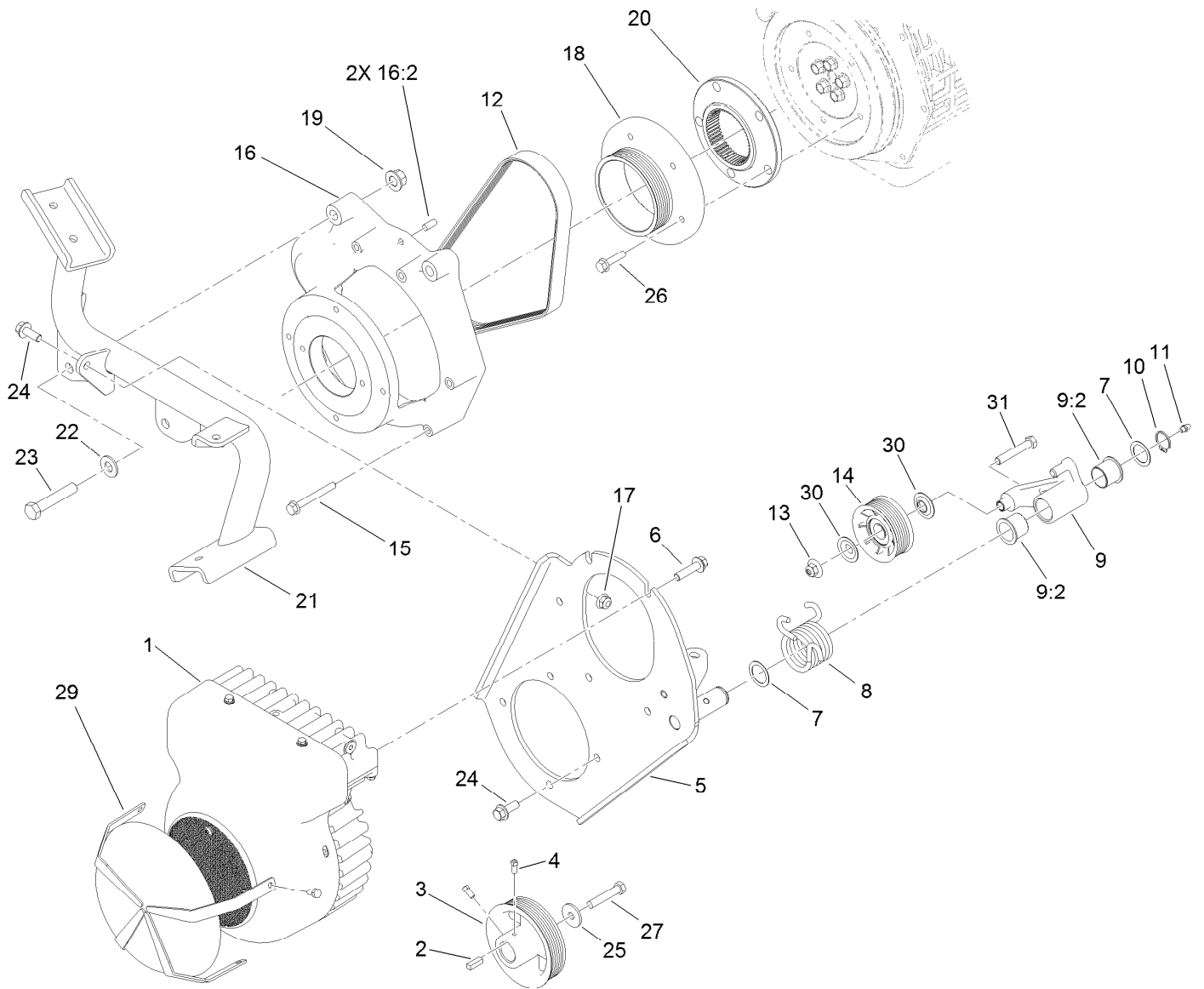
Air Cleaner Assembly No. 95-5805

<i>Ref.</i>	<i>Part Number</i>	<i>Qty.</i>	<i>Description</i>
2	108-3811	1	Filter-Air
3	94-3652	1	Cover ASM
3:1	1-643283	2	Latch-Cleaner, Air
4	87-9400	1	Valve-Vacuator
5	285-17	1	Plug-Pipe



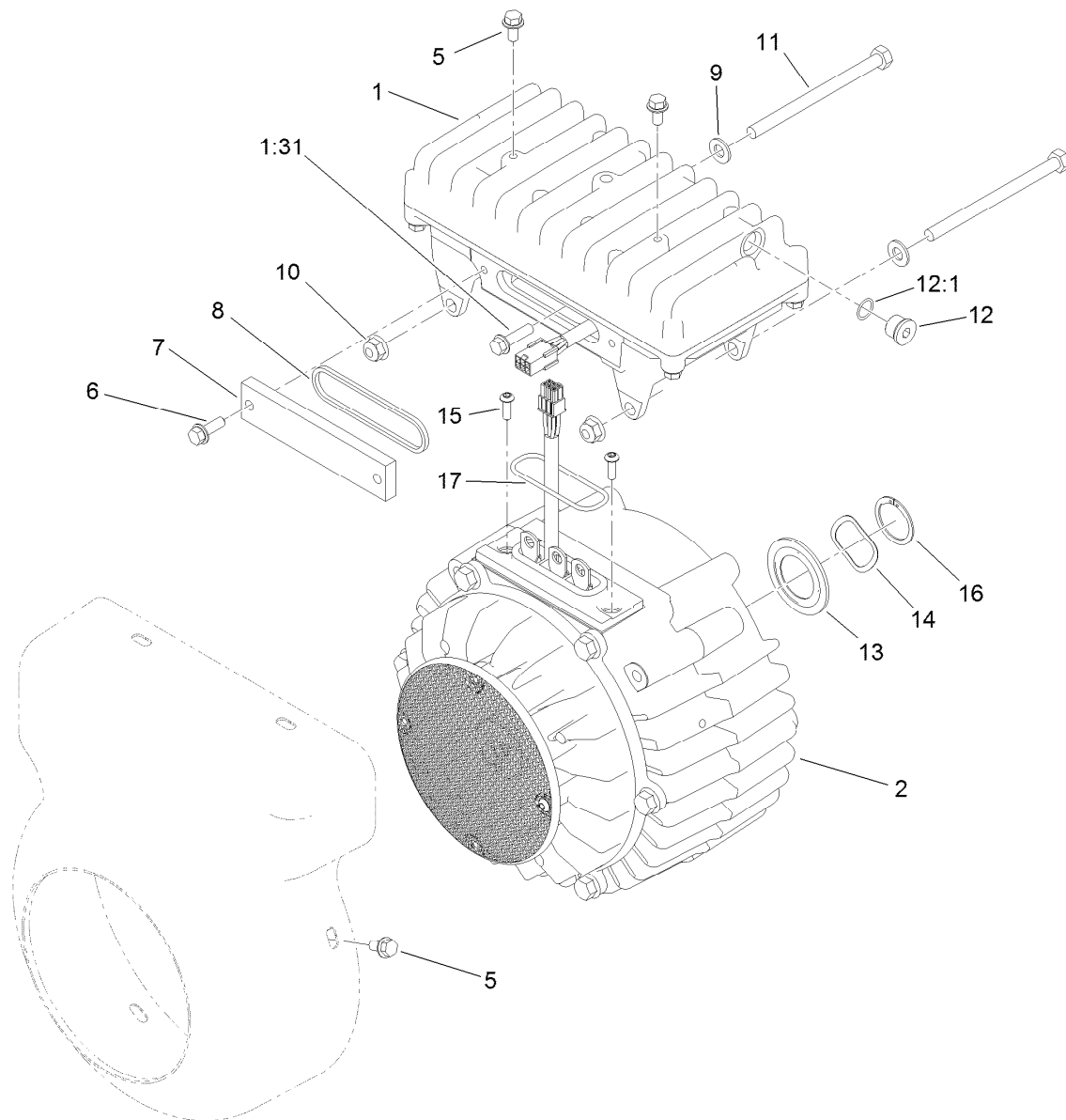
Radiator, Air Hose and Fuel Line Assembly

<i>Ref.</i>	<i>Part Number</i>	<i>Qty.</i>	<i>Description</i>	<i>Ref.</i>	<i>Part Number</i>	<i>Qty.</i>	<i>Description</i>
1	117-9268	1	Hose-Radiator, Lower	10	119-6074	1	Hose-Fuel
2	117-9261	1	Hose-Radiator, Upper	11	119-8150	1	Hose-Fuel
3	117-4481	1	Hose-Air	12	240-4	1	Grommet-Rubber
4	2412-92	2	Clamp-Hose	13	119-8136	1	Hose-Fuel
5	2412-34	4	Clamp-Hose	14	110-4109	2	Hose-Fuel
6	110-4113	1	Hose-Fuel	15	110-6187	1	Hose-Fuel
7	2412-108	5	Clamp-Worm	17	119-3517	1	Hose-Fuel
8	92-2379	6	Clamp-Hose	18	120-1996	1	Splicer-Hose, Barbed
9	2412-146	3	Clamp-Hose	19	2412-80	1	Clamp-Hose



Generator and Engine Frame Assembly

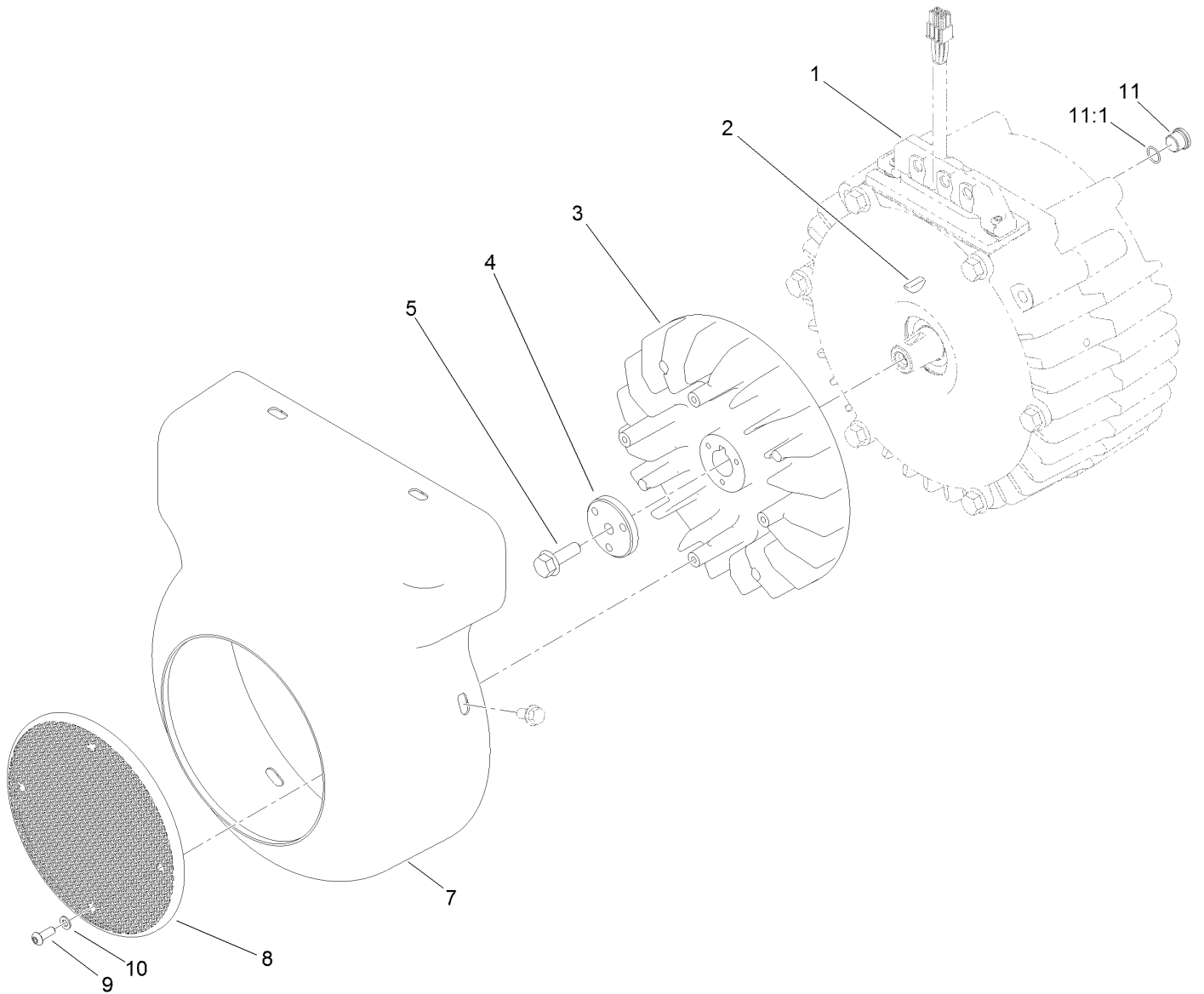
Ref.	Part Number	Qty.	Description	Ref.	Part Number	Qty.	Description
1	117-8185	1	Generator/Controller ASM	16	119-4454	1	Bell Housing ASM
2	10-7070	1	Key-Square	16:2	87-1910	2	Pin-Dowel
3	117-9295	1	Pulley-Generator	17	104-8301	5	Nut-Flange, NI
4	3241-7	2	Screw-SQH	18	117-4458	1	Pulley-Engine, Diesel
5	117-9293-03	1	Plate-Generator	19	99-5107	2	Nut-Lock
6	114-4681	5	Screw-HHF	20	115-8727	1	Flange-Coupling
7	74-1810	2	Washer	21	119-2131-03	1	Mount-Rear, Engine
8	117-9342	1	Spring-Torsion	22	87-7270	2	Washer-Thrust
9	117-9294	1	Idler Bracket ASM	23	325-11	2	Screw-HH
9:2	99-3631	2	Bushing-Flange	24	3234-42	6	Screw-HHF
10	32151-36	1	Ring-Retaining	25	63-8410	1	Washer
11	302-5	1	Fitting-Grease	26	33104-030	5	Screw-HHF
12	117-4464	1	Belt-V	27	3211-9	1	Screw-HH
13	109-6658	1	Nut-Flange, NI	29	117-4504-03	1	Guard
14	120-5766	1	Pulley ASM	30	120-5757	2	Washer-Flange
15	33104-070	5	Screw-HHF	31	323-11	1	Screw-HH



Generator/Controller Assembly No. 117-8185

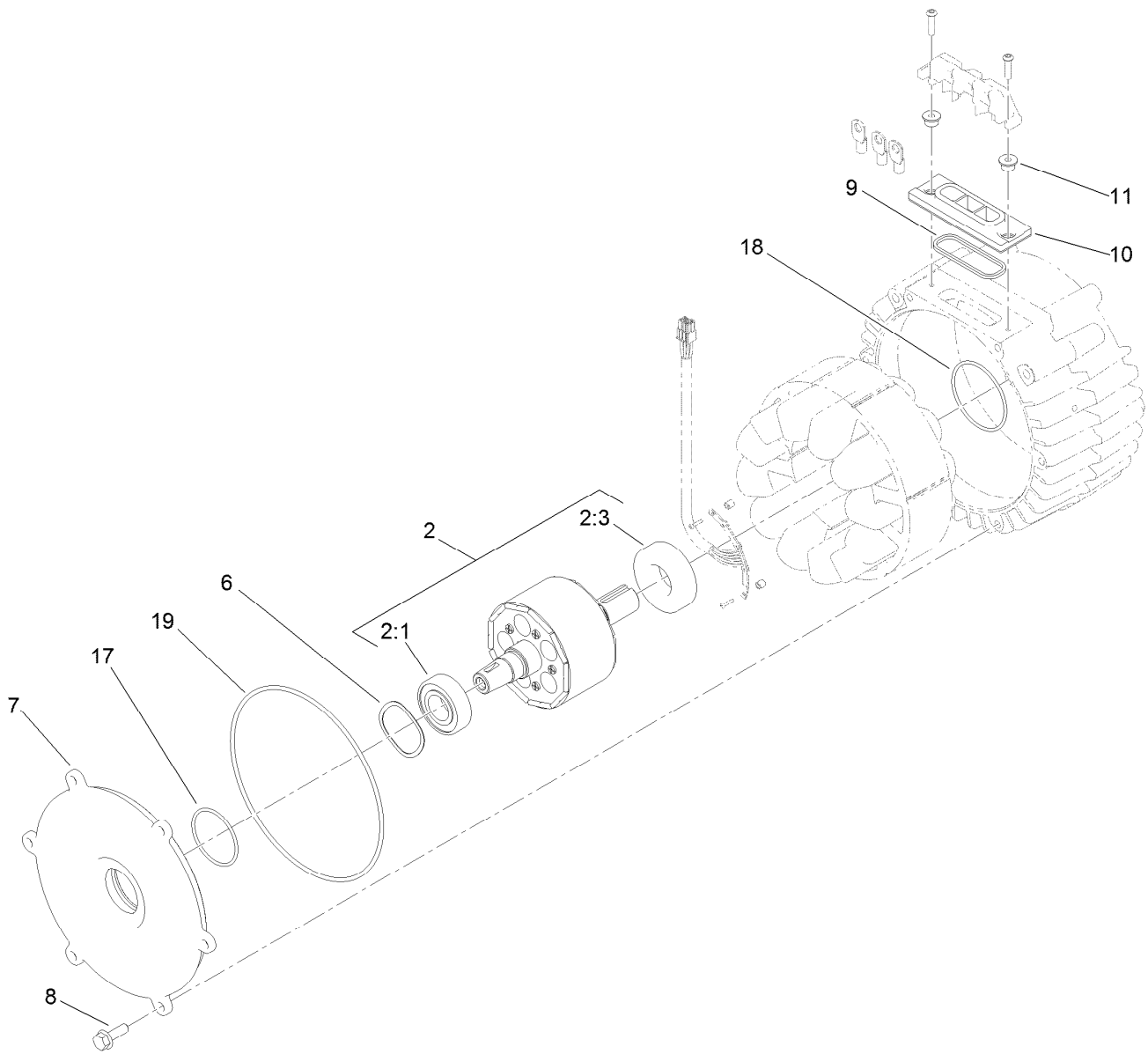
<i>Ref.</i>	<i>Part Number</i>	<i>Qty.</i>	<i>Description</i>
1	117-8181	1	Controller ASM
1:31	120-4654	3	Screw-HHF
2	117-8182	1	Generator ASM
5	119-1065	6	Screw-HWH
6	119-1138	2	Screw-HWH
7	120-4511	1	Cover-Access
8	120-4513	1	Gasket-Cover, Access
9	3256-23	2	Washer-Flat
10	104-8300	2	Nut-Flange, NI

<i>Ref.</i>	<i>Part Number</i>	<i>Qty.</i>	<i>Description</i>
11	322-38	2	Screw-HH
12	353-989	1	Plug-Hex, Hollow
12:1	237-42	1	O-Ring
13	115-3299	1	Seal-Flocked
14	117-8147	1	Washer-Wave
15	119-7568	2	Screw-HSBH
16	121-7130	1	Ring-Retaining, EXT
17	117-8176	1	O-Ring



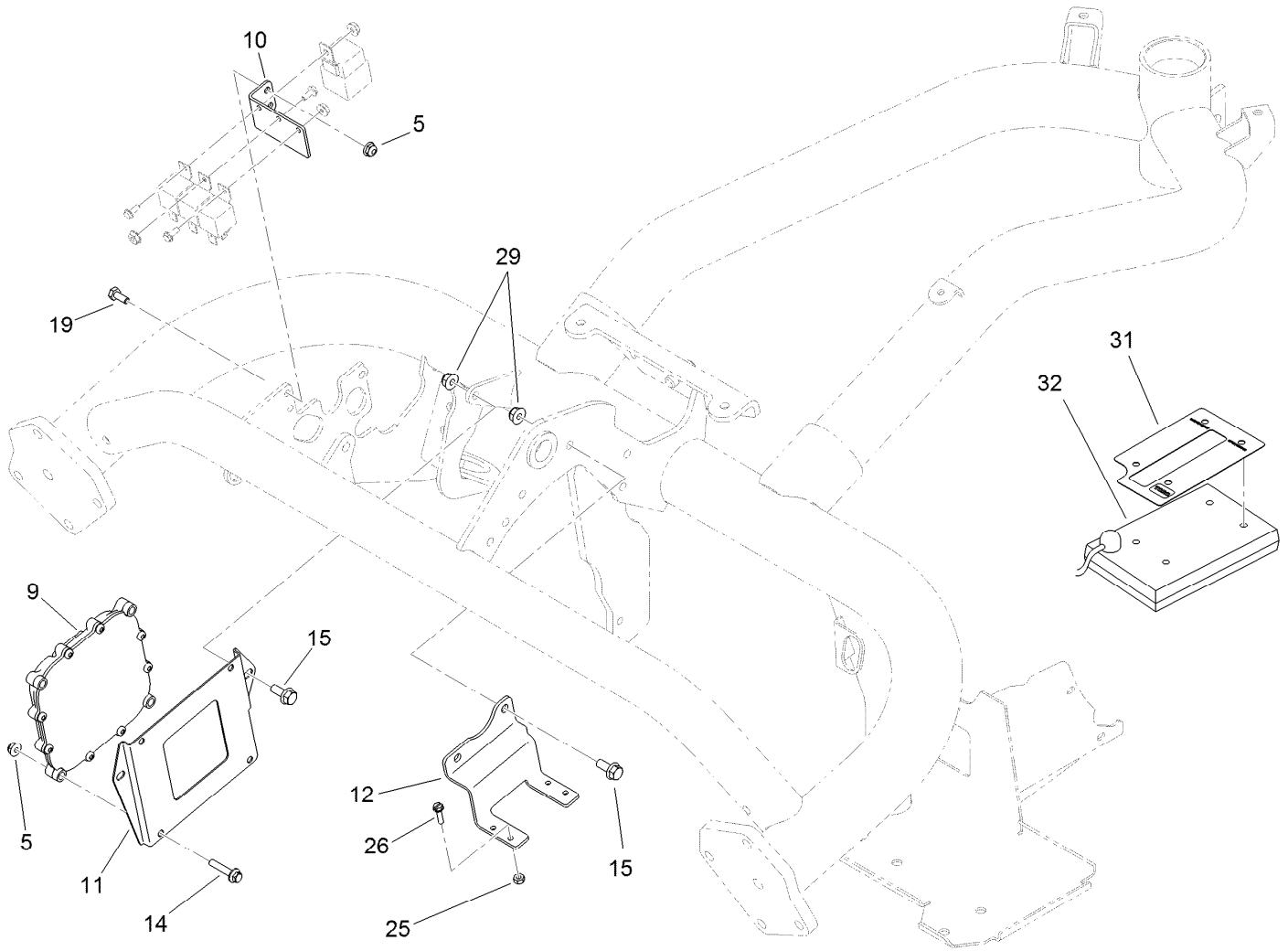
Generator Assembly No. 117-8182

Ref.	Part Number	Qty.	Description
1	119-1069	1	Generator Service ASM
2	112-5193	1	Key-Woodruff
3	117-8184	1	Fan-Generator
4	112-9604	1	Collar
5	33104-025	1	Screw-HHF
7	121-7082	1	Cover-Generator
8	120-4582	1	Screen-Fan
9	120-4564	4	Screw-Bhcs
10	120-4563	4	Washer-Flat
11	353-989	1	Plug-Hex, Hollow
11:1	237-42	1	O-Ring



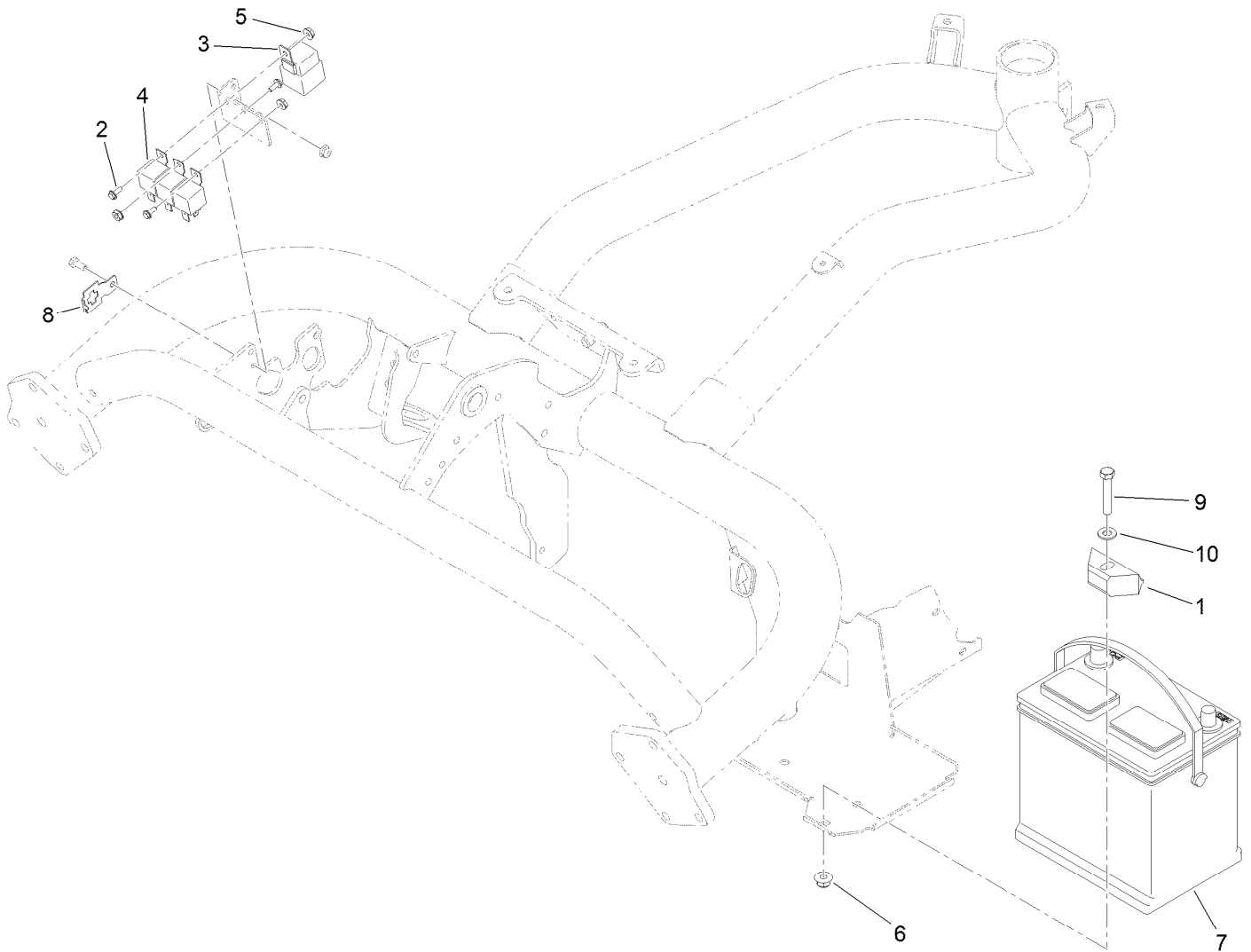
Generator Service Assembly No. 119-1069

<i>Ref.</i>	<i>Part Number</i>	<i>Qty.</i>	<i>Description</i>
2	119-7565	1	Rotor ASM
2:1	120-4621	1	Bearing
2:3	120-4622	1	Bearing
6	117-8148	1	Washer-Wave
7	117-4514	1	Cover-Generator
8	33104-025	6	Screw-HHF
9	120-4518	1	Gasket-Isolator
10	112-5155	1	Isolator-Thermal
11	117-4501	2	Spacer-Shoulder
17	107-3244	1	O-Ring
18	117-8177	1	O-Ring
19	112-5199	1	O-Ring



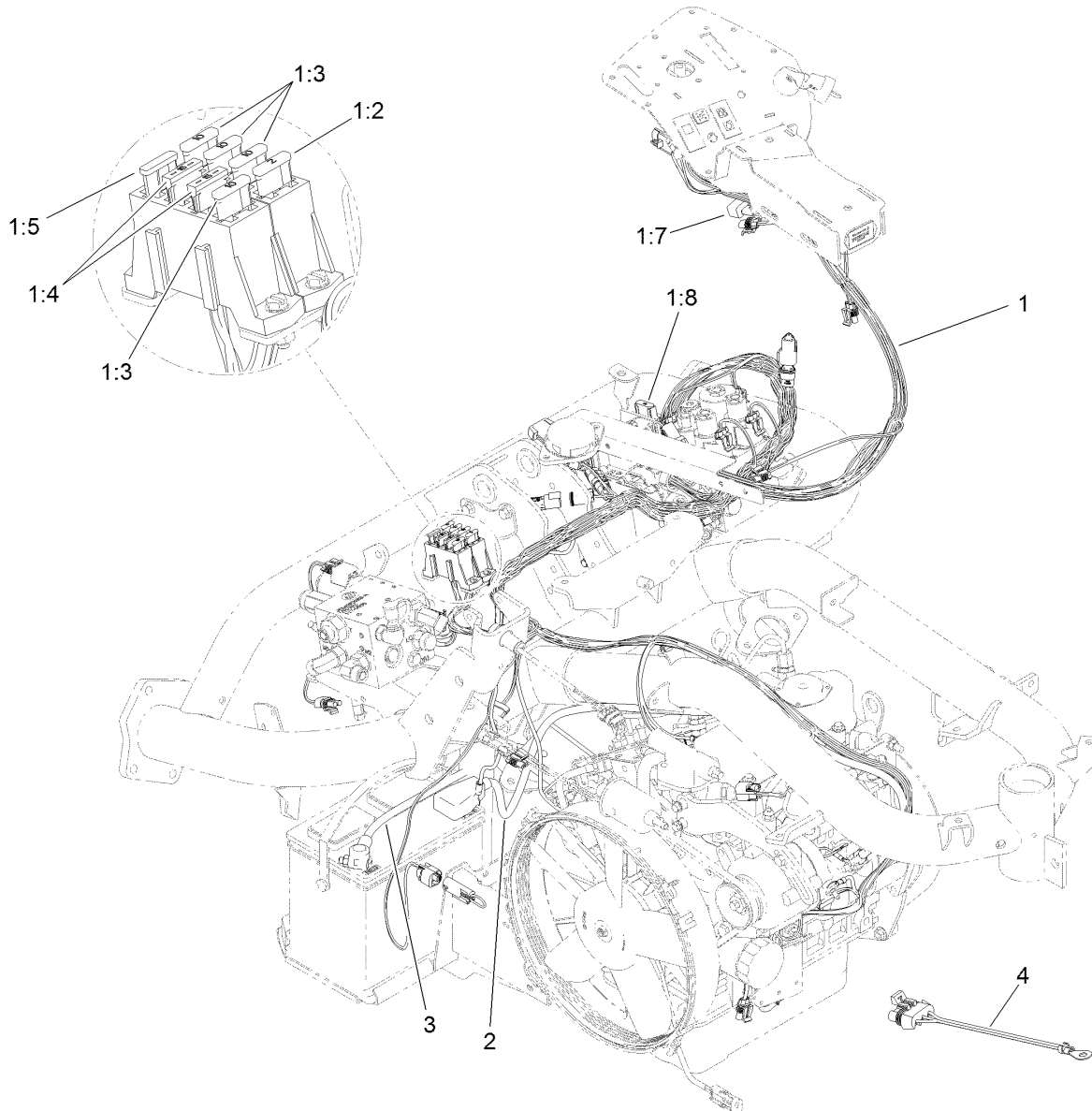
Controller Assembly

Ref.	Part Number	Qty.	Description
5	104-7201	6	Nut-Flange, NI
9	115-1900	1	Controller
10	119-2097-01	1	Bracket-Relay
11	119-2099-01	1	Plate-Mounting, Controller
12	119-2119-01	1	Bracket-Block, Fuse
14	3234-21	4	Screw-HHF
15	3234-47	4	Screw-HHF
19	321-3	2	Screw-HH
25	3296-2	4	Nut-Lock, NI
26	32105-13	4	Screw-HWH
29	104-8300	4	Nut-Flange, NI
31	115-8227	1	Decal-Controller
32	85-4750	1	Box-Display, Diagnostic



Battery Assembly

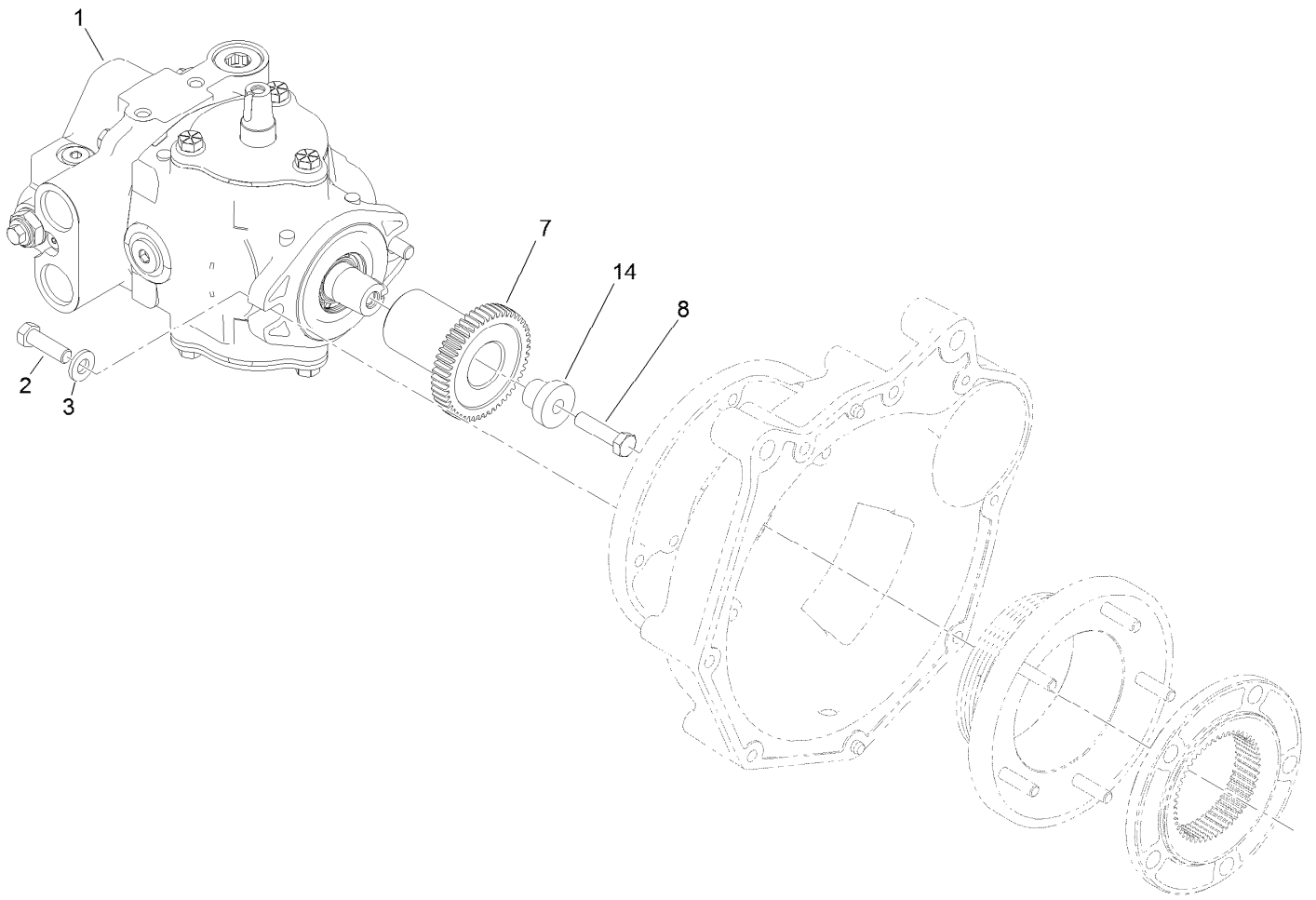
<i>Ref.</i>	<i>Part Number</i>	<i>Qty.</i>	<i>Description</i>
1	66-2490	1	Retainer-Battery
2	112-6349	3	Screw-HWH
3	99-7430	1	Relay
4	99-7435	3	Relay-Power
5	32149-8	3	Nut-Keps
6	104-8301	1	Nut-Flange, NI
7	104-9979	1	Battery-Dry
8	114-5502	1	Clip-Fuse
9	323-10	1	Screw-HH
10	3256-24	1	Washer-Flat



Wire Harness Assembly

<i>Ref.</i>	<i>Part Number</i>	<i>Qty.</i>	<i>Description</i>
1	122-0248	1	Harness-Wire
1:2	94-6710	1	Fuse-2 Amp
1:3	218-578	4	Fuse-Blade, 10 Amp
1:4	109355	2	Fuse-Blade, 15 Amp
1:5	114241	1	Fuse-Blade, 7.5 Amp
1:6	100-4918	1	Diode-Over Molded ●
1:7	104-4022	1	Resistor-75 Ohm
1:8	94-8002	1	Fuse-Blade, 50 Amp
2	114-9747	1	Cable-Battery, Positive
3	115-8135	1	Cable-Battery, Negative
4	99-3441	1	Harness-Wire, Fusible Link

● Not illustrated



Pump Coupling Assembly

<i>Ref.</i>	<i>Part Number</i>	<i>Qty.</i>	<i>Description</i>
1	121-9558	1	HYD Pump ASM
2	323-7	2	Screw-HH
3	100-4852	2	Washer-Hardened
7	115-8726	1	Hub-Taper
8	3211-6	1	Screw-HH
14	125-3010	1	Spacer-Step



Hydraulic Pump Assembly No. 121-9558

Ref.	Part Number	Qty.	Description	Ref.	Part Number	Qty.	Description
1	119-7148	1	Shaft-Drive, Tapered	21	120-1989	1	Relief Valve ASM
2	121-9574	1	Endcover ASM	22	98-4639	2	Bearing-Cone
3	100-3176	1	Housing ASM	23	98-4645	1	Plate-Cover
3:1	94-6363	1	Bearing	24	98-4644	1	Plate-Cover
4	76-6070	1	Rotating Kit	26	76-6150	2	Pin-Dowel
5	104-4888	1	Swashplate	27	76-6160	2	Capscrew
6	33-3720	1	Washer	28	76-6170	2	Capscrew
7	32151-13	1	Ring-Retaining	29	120-5751	1	Key
8	32151-29	2	Ring-Retaining	30	94-3646	1	Key
9	252-66	1	Bearing-Thrust	37	74-9040	1	Coupler
10	252-71	2	Washer-Thrust	39	104-4046	2	Bearing-Cup
11	104-4861	1	Seal-Shaft	40	100-3182	1	Shim Kit
12	33-4930	1	Gasket-Housing	41	100-3179	2	O-Ring
13	98-4635	1	Insert-Plate, Cam	48	100-3180	1	Plate-Valve
14	105-9762	6	Washer	50	74-9280	1	Plug ASM
16	76-6190	1	Seal-Shaft	50:1		1	O-Ring ■
17	98-4640	6	Screw-Cap	51	74-9280	1	Plug ASM
20	120-1989	1	Relief Valve ASM	51:1		1	O-Ring ■

● Not illustrated

■ Not serviced separately



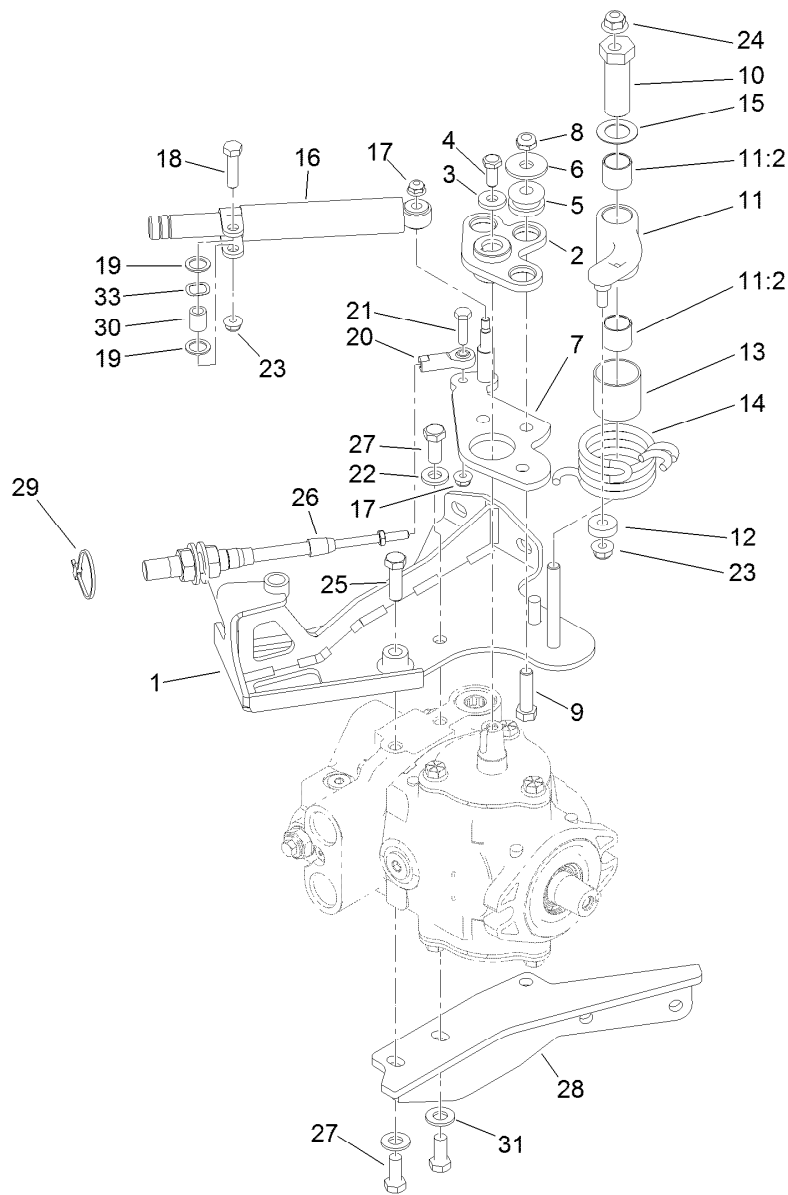
Hydraulic Pump Assembly No. 121-9558 (continued)

Ref.	Part Number	Qty.	Description
55	105-3811	1	Valve-Bypass
99	120-5754	1	Seal Kit
99:1		2	O-Ring ■
99:2		2	O-Ring ■
99:3		1	Seal-Shaft ■
99:4		1	Gasket ■
99:5		1	Ring-Retaining ●■
99:6		1	Seal-Shaft ■
99:7		1	O-Ring ■

Ref.	Part Number	Qty.	Description
99:8		5	O-Ring ■
99:9		1	Ring-Retaining ■
99:10		1	O-Ring (Not Used For This Configuration) ●■
99:11		1	O Ring-Molded (Not Used For This Configuration) ●■
99:12		2	Ring-Retaining ■
99:13		1	O-Ring ■

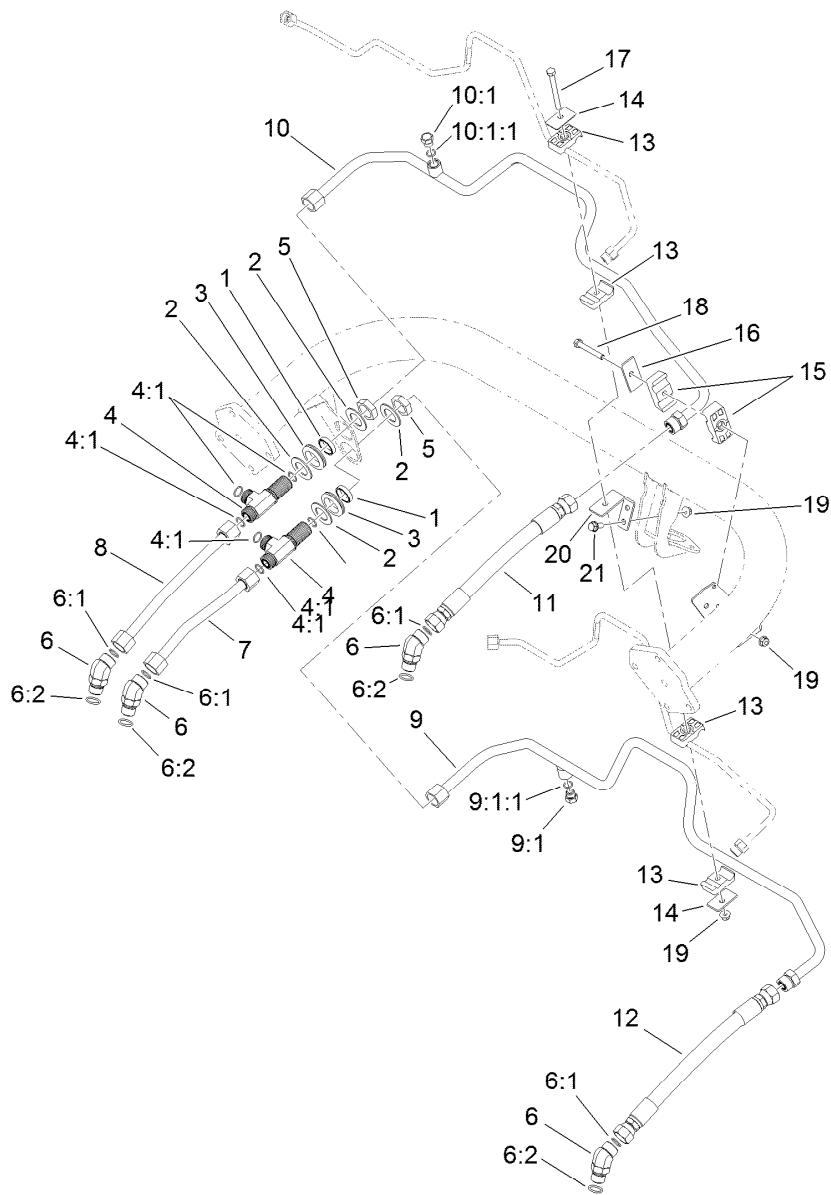
● Not illustrated

■ Not serviced separately



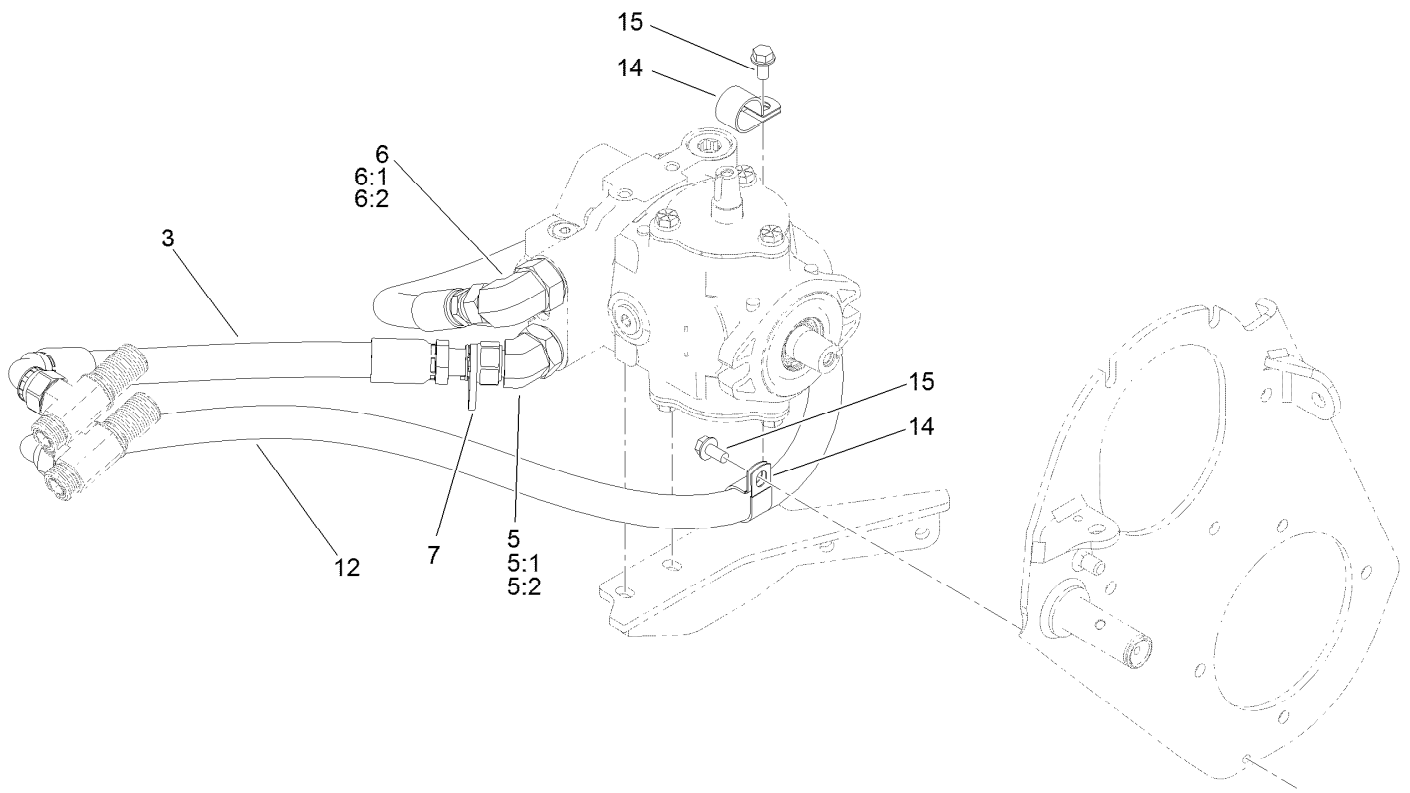
Neutral Centering Assembly

<i>Ref.</i>	<i>Part Number</i>	<i>Qty.</i>	<i>Description</i>	<i>Ref.</i>	<i>Part Number</i>	<i>Qty.</i>	<i>Description</i>
1	120-2015	1	Support-Cable	17	104-7201	2	Nut-Flange, NI
2	117-4466	1	Plate ASM	18	322-6	1	Screw-HH
3	88-7200	1	Washer-Flat	19	94-8196	2	Washer-Nylon
4	3235-6	1	Screw-HH	20	2411-41	1	Rod End-Ball Joint
5	63-9750	3	Mount	21	321-6	1	Screw-HH
6	93-8806	3	Washer-Hardened	22	100-4852	1	Washer-Hardened
7	117-9061	1	Lever-Pump	23	104-8300	2	Nut-Flange, NI
8	3296-59	3	Nut-Lock, NI	24	104-8301	1	Nut-Flange, NI
9	323-29	3	Screw-HH	25	323-7	1	Screw-HH
10	117-9046	1	Stud-Eccentric	26	119-1734	1	Cable-Control, Traction
11	117-9053	1	Neutral Arm ASM	27	323-5	3	Screw-HH
11:2	94-9609	2	Bushing-Straight	28	117-9302	1	Bracket-Muffer
12	251-259	1	Bearing-Ball	29	3290-379	1	Tie-Cable
13	115-8158	1	Spacer-Spring	30	94-8197	1	Tube-Pivot
14	117-9047	1	Spring-Torsion	31	100-4852	2	Washer-Hardened
15	119-8199	1	Washer-Nylon	33	108473	1	Washer-Wave
16	76-8870	1	Damper-Lever				



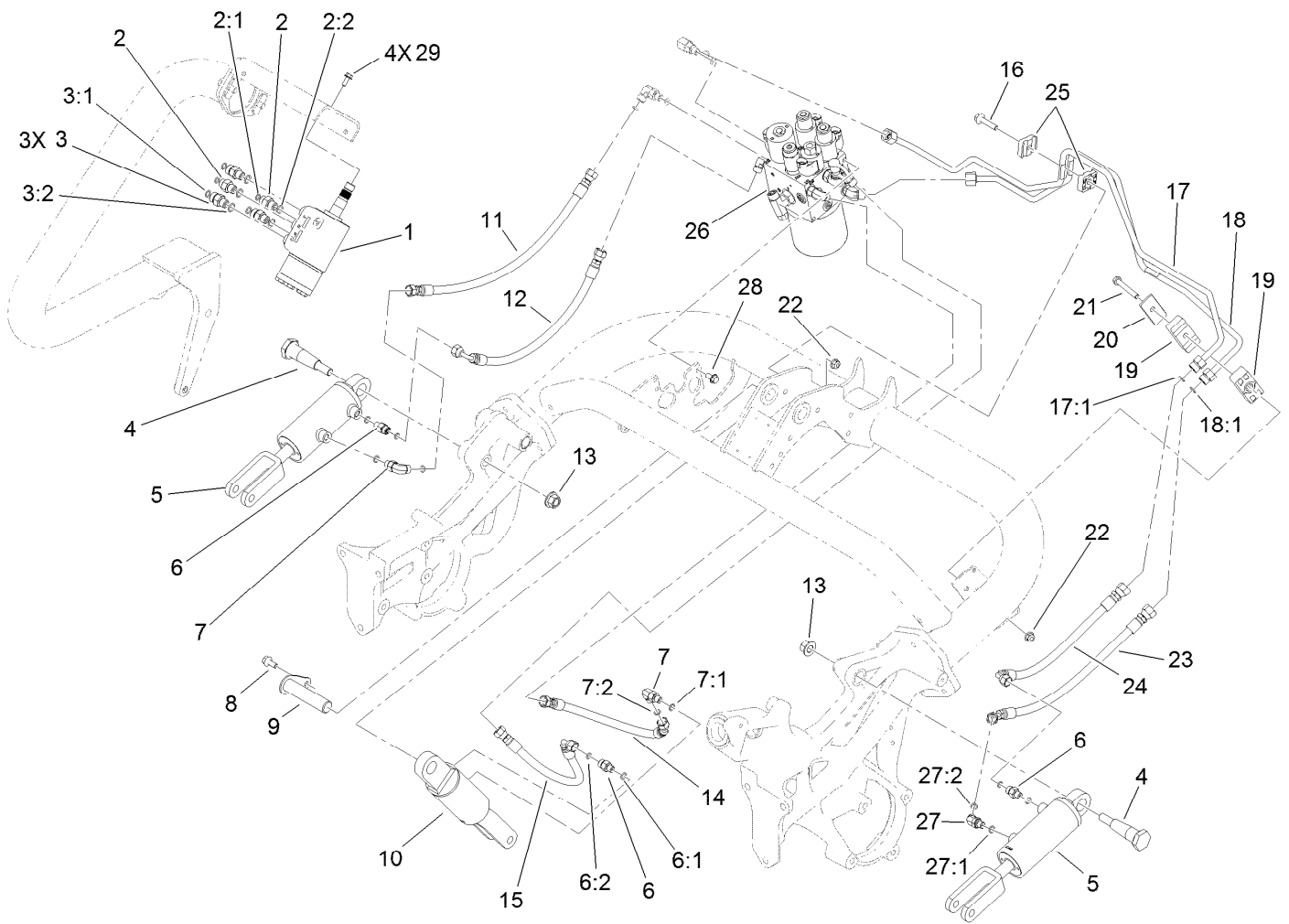
Traction Drive Hydraulic Line Assembly

<i>Ref.</i>	<i>Part Number</i>	<i>Qty.</i>	<i>Description</i>	<i>Ref.</i>	<i>Part Number</i>	<i>Qty.</i>	<i>Description</i>
1	125-1984	2	Spacer	10	119-2064	1	HYD Tube ASM
2	69-9010	4	Washer	10:1	353-508	1	Plug-HH
3	240-3	2	Grommet-Rubber	10:1:1	237-42	1	O-Ring
4	94-5350	2	Tee-Bulkhead	11	115-9484	1	HYD Hose ASM
4:1	237-65	3	O-Ring	12	115-9485	1	HYD Hose ASM
5	340-74	2	Nut-Lock, Bulkhead	13	56-7970	4	Clamp-Tube
6	340-14	4	Fitting-HYD, 45 DEG	14	69-9760	2	Coverplate
6:1	237-65	1	O-Ring	15	119-8173	2	Clamp-Tube
6:2	237-80	1	O-Ring	16	69-9761	1	Plate-Cover
7	119-2057	1	HYD Tube ASM	17	322-20	1	Screw-HH
8	119-2058	1	HYD Tube ASM	18	322-12	1	Screw-HH
9	119-2063	1	HYD Tube ASM	19	104-8300	4	Nut-Flange, NI
9:1	353-508	1	Plug-HH	20	119-2092	1	Bracket-Tube
9:1:1	237-42	1	O-Ring	21	3234-47	2	Screw-HHF



Traction Drive Hose Routing Assembly

<i>Ref.</i>	<i>Part Number</i>	<i>Qty.</i>	<i>Description</i>
3	125-5169	1	HYD Hose ASM
5	340-156	1	Fitting-HYD
5:1	237-65	1	O-Ring
5:2	237-81	1	O-Ring
6	340-139	1	Fitting-HYD, 90 DEG
6:1	237-81	1	O-Ring
6:2	237-65	1	O-Ring
7	3290-378	1	Tie-Cable
12	120-1966	1	HYD Hose ASM
14	2412-39	2	R-Clamp
15	32144-14	2	Screw-HWHTF



Lift Circuit Assembly

Ref.	Part Number	Qty.	Description	Ref.	Part Number	Qty.	Description
1	114-4672	1	Steering Valve ASM	10	119-8128	1	No. 1 HYD Cylinder ASM
2	340-1	2	Fitting-HYD, Straight	11	119-2052	1	HYD Hose ASM
2:1	237-21	1	O-Ring	12	119-2053	1	HYD Hose ASM
2:2	237-42	1	O-Ring	13	99-5107	2	Nut-Lock
3	340-2	3	Fitting-HYD, Straight	14	119-2051	1	HYD Hose ASM
3:1	237-22	1	O-Ring	15	119-2050	1	HYD Hose ASM
3:2	237-42	1	O-Ring	16	115-1794	1	Screw-HHF
4	112-5709	2	Pin-Tapered	17	119-8126	1	HYD Tube ASM
5	119-8129	2	No. 2 And 3 HYD Cylinder ASM	17:1	237-22	1	O-Ring
6	340-92	3	Fitting-HYD, Straight	18	119-8127	1	HYD Tube ASM
6:1	237-78	1	O-Ring	18:1	237-22	1	O-Ring
6:2	237-21	1	O-Ring	19	120-3200	2	Clamp-Tube
7	340-132	2	Fitting-HYD, 90 DEG	20	69-9761	1	Plate-Cover
7:1	237-78	1	O-Ring	21	322-12	1	Screw-HH
7:2	237-21	1	O-Ring	22	104-8300	3	Nut-Flange, NI
8	3234-47	1	Screw-HHF	23	119-2066	1	HYD Hose ASM
9	119-8104	1	Pin ASM	24	119-2065	1	Hose-HYD
				25	56-7973	2	Clamp-Tube

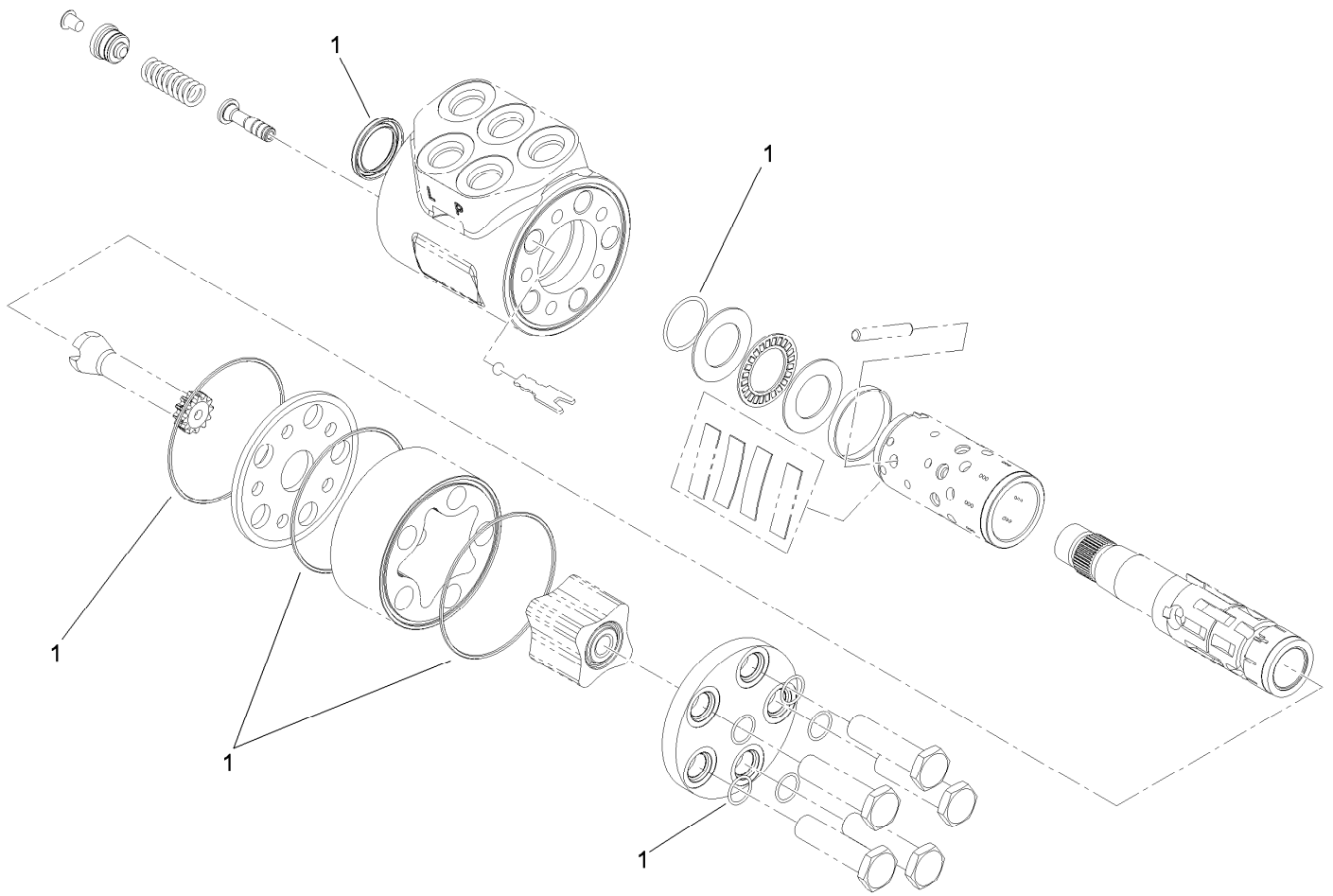
● Not serviced separately



Lift Circuit Assembly (continued)

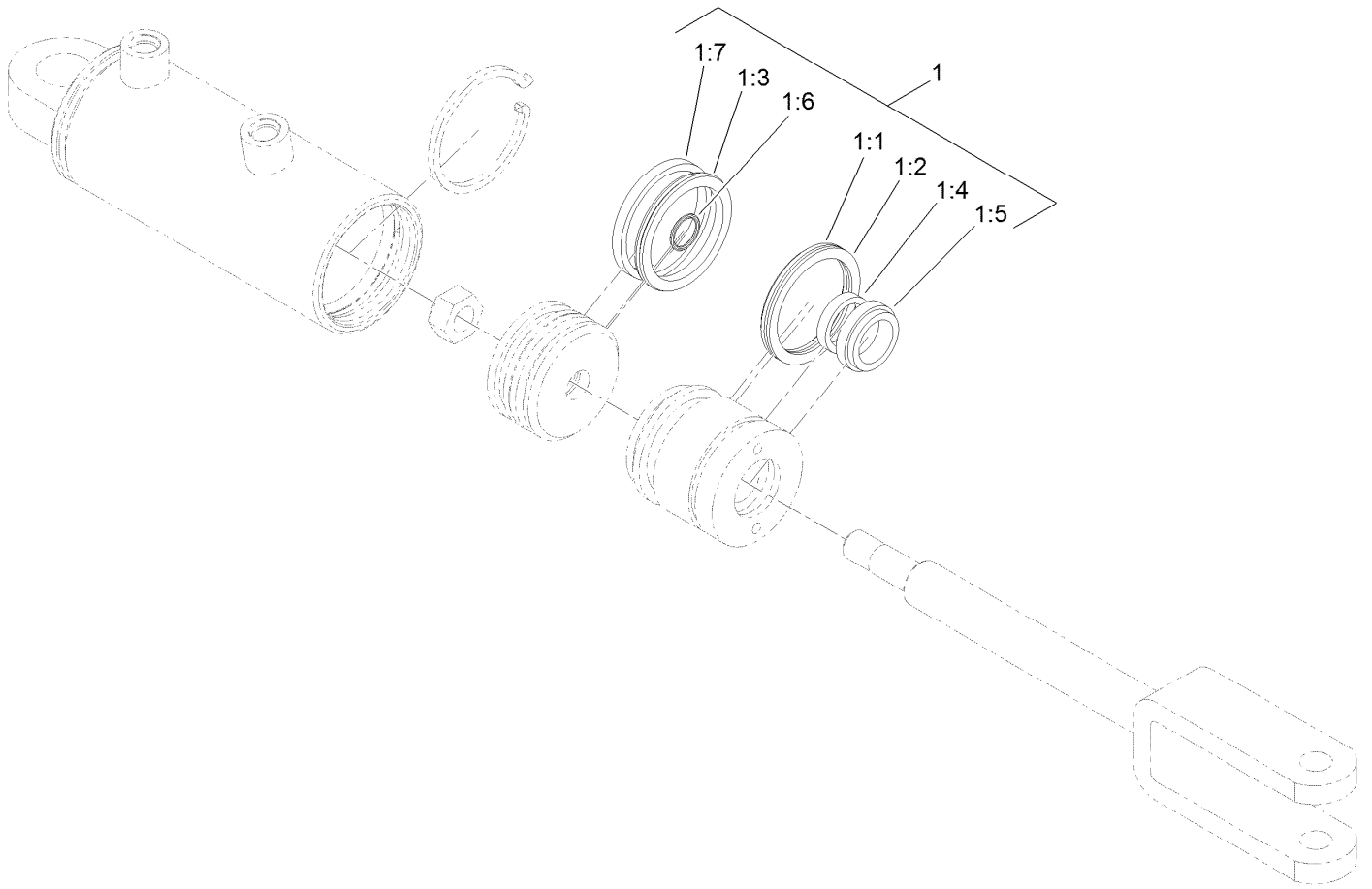
Ref.	Part Number	Qty.	Description	Ref.	Part Number	Qty.	Description
26		1	Hydraulic Lift Manifold ASM	27:2	237-21	1	O-Ring
27	340-103	1	Fitting-HYD, 45 DEG	28	3234-7	2	Screw-HHF
27:1	237-78	1	O-Ring	29	33103-016	4	Screw-HHF

● Not serviced separately



Steering Valve Assembly No. 114-4672

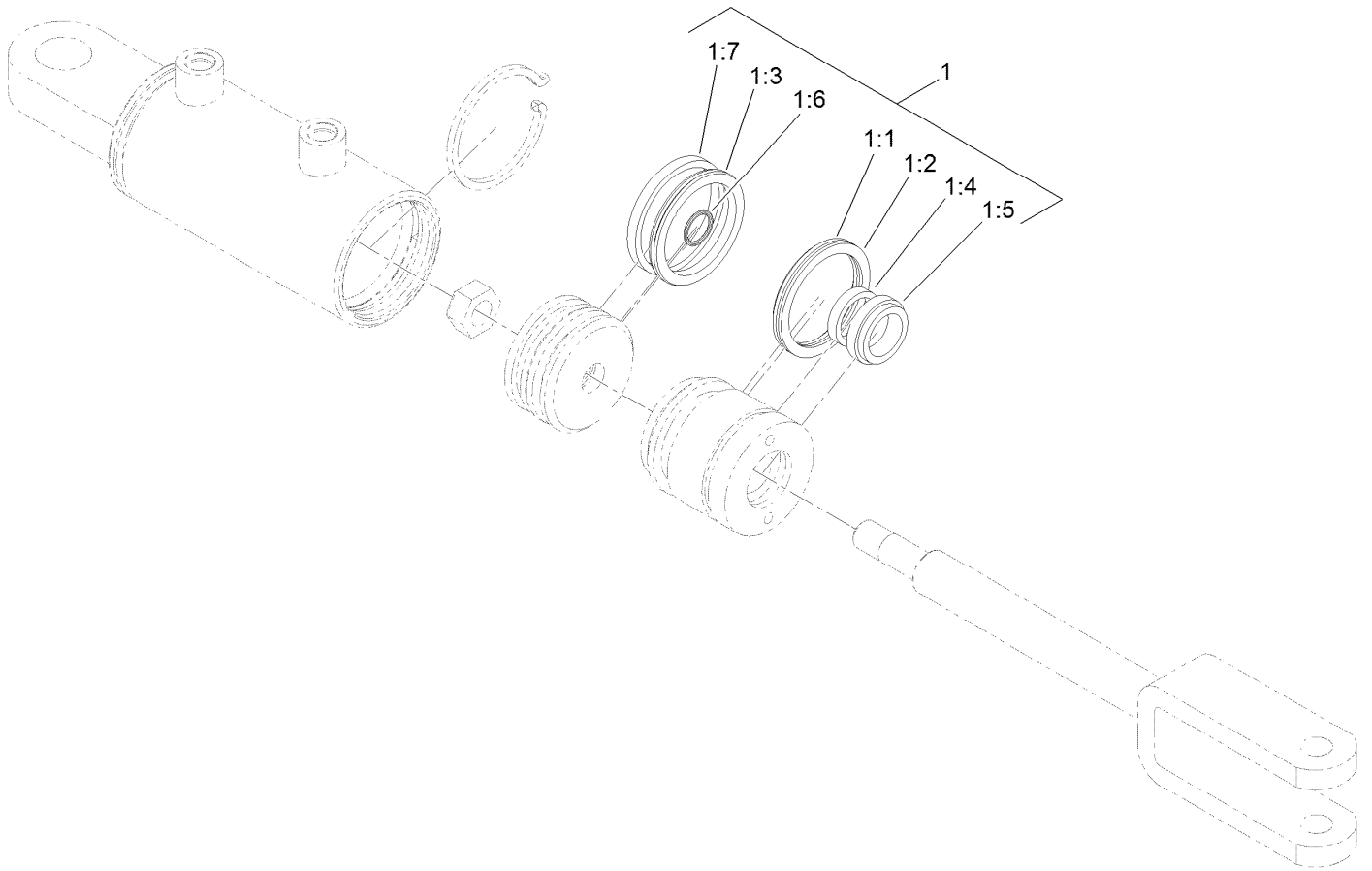
<i>Ref.</i>	<i>Part Number</i>	<i>Qty.</i>	<i>Description</i>
1	106-6716	1	Seal Kit



Hydraulic Cylinder Assembly No. 119-8129

<i>Ref.</i>	<i>Part Number</i>	<i>Qty.</i>	<i>Description</i>
1	115-3410	1	Seal Kit
1:1		1	O-Ring ●
1:2		1	Backup ●
1:3		1	Bp Seal ●
1:4		1	Bs Seal ●
1:5		1	Seal-Dust ●
1:6		1	O-Ring ●
1:7		1	Ring-Wear ●

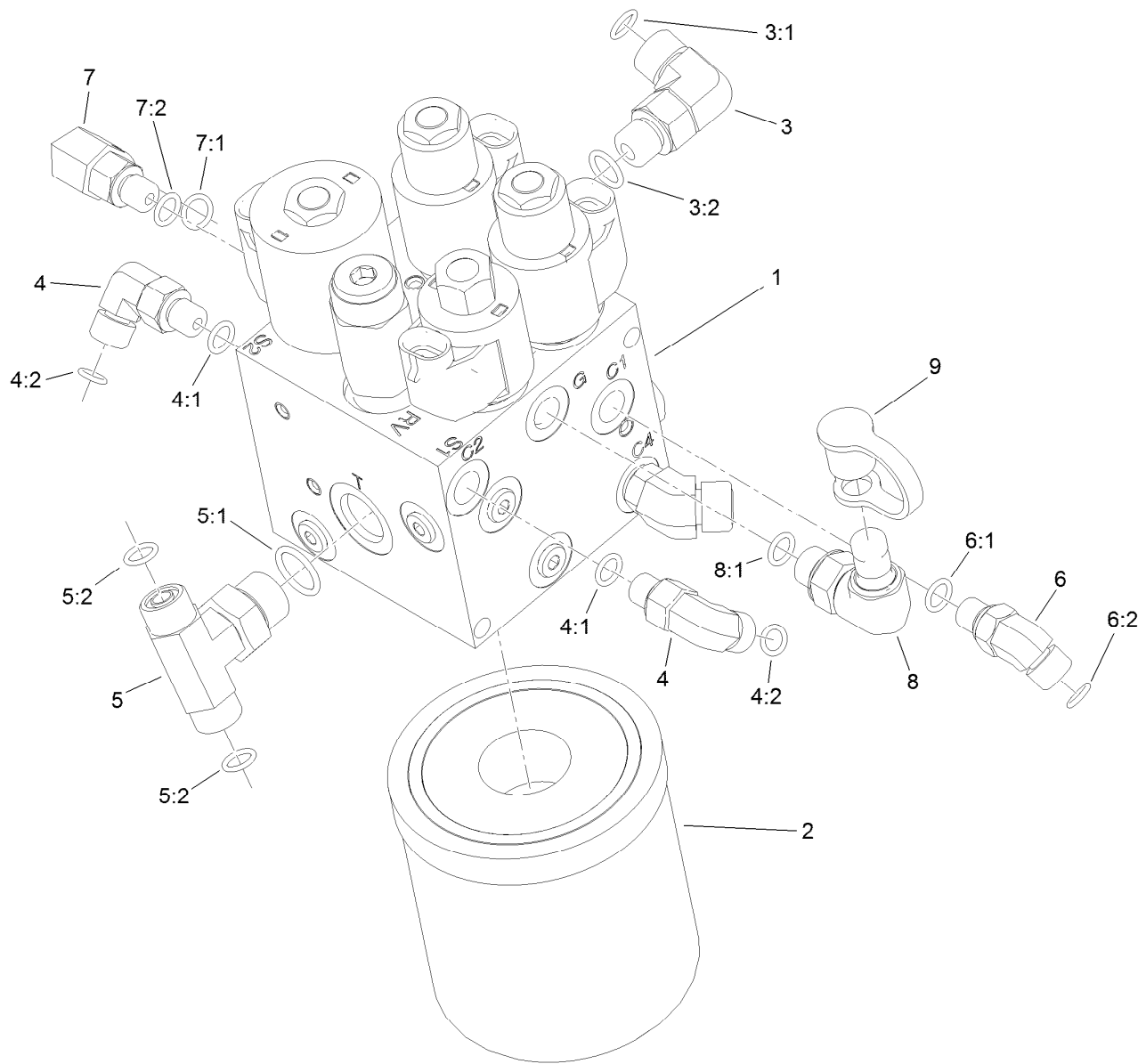
● Not serviced separately



Hydraulic Cylinder Assembly No. 119-8128

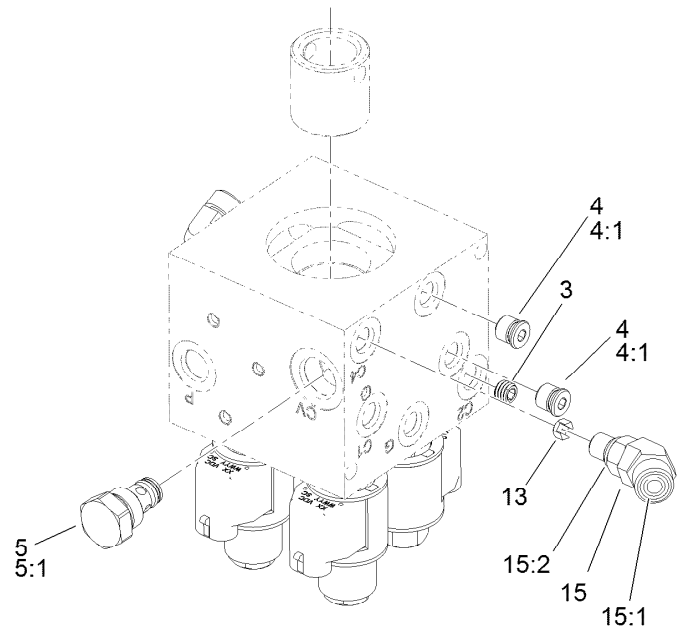
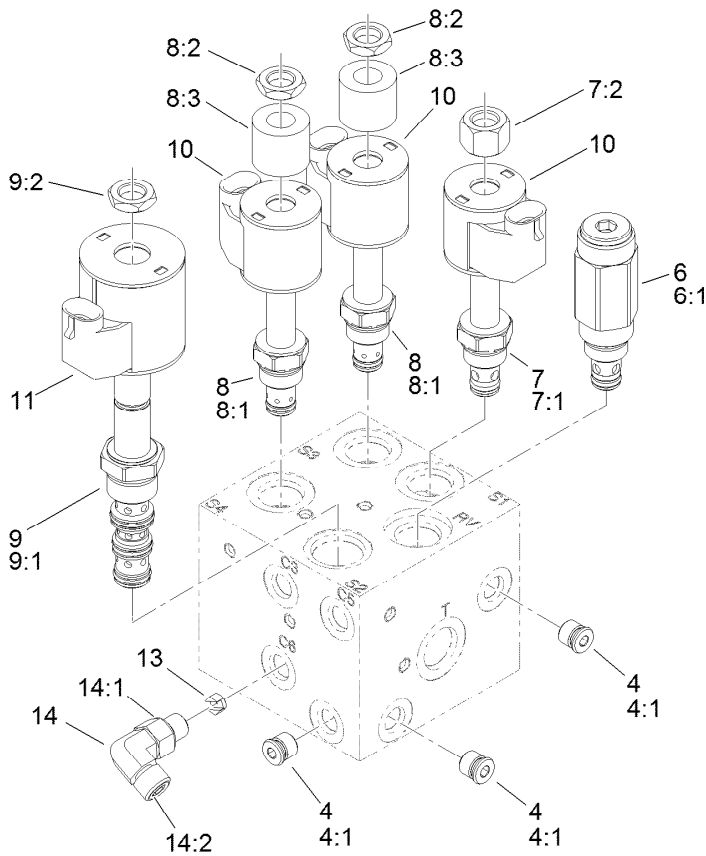
<i>Ref.</i>	<i>Part Number</i>	<i>Qty.</i>	<i>Description</i>
1	115-3410	1	Seal Kit
1:1		1	O-Ring ●
1:2		1	Backup ●
1:3		1	Bp Seal ●
1:4		1	Bs Seal ●
1:5		1	Seal-Dust ●
1:6		1	O-Ring ●
1:7		1	Ring-Wear ●

● Not serviced separately



Hydraulic Lift Manifold Assembly

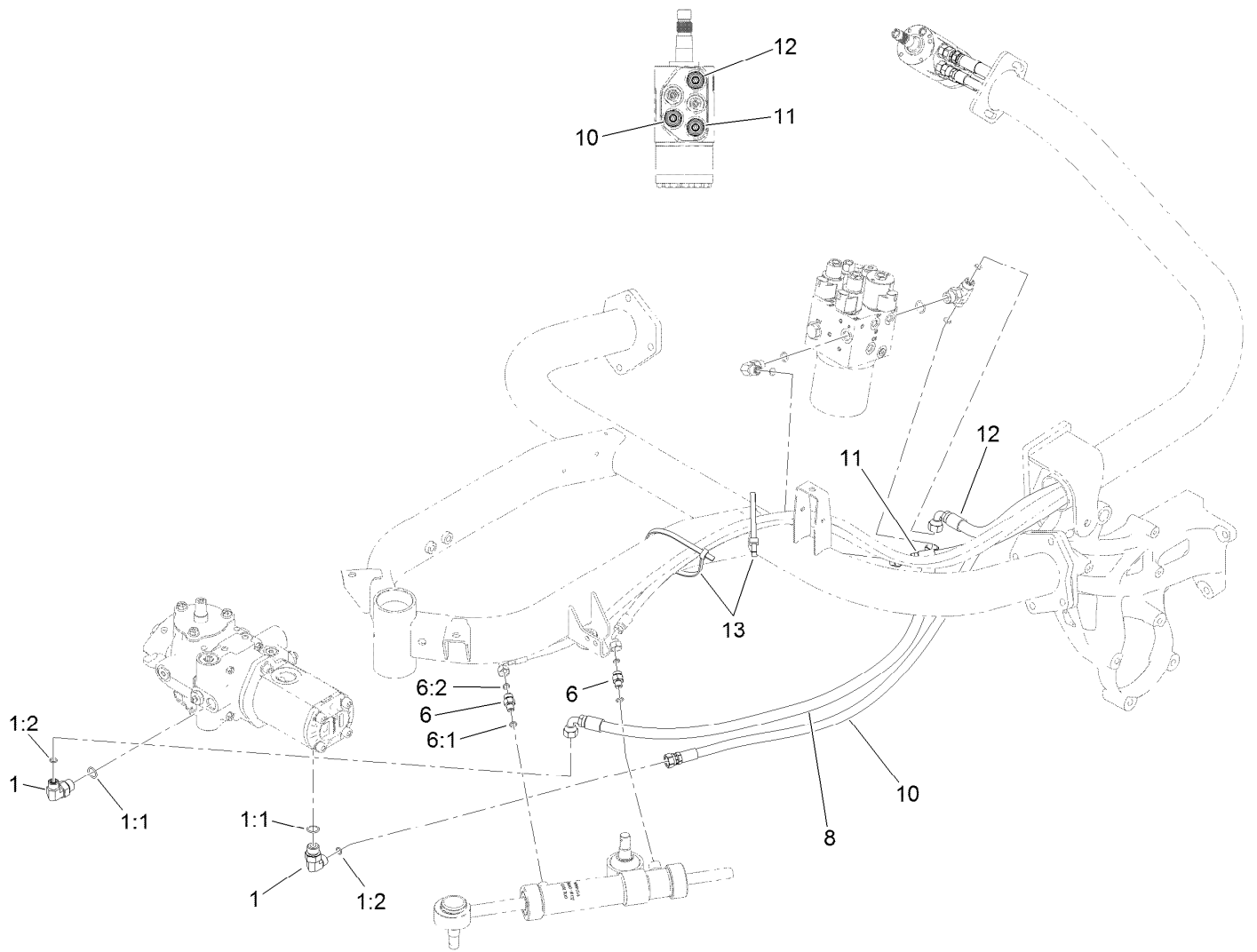
Ref.	Part Number	Qty.	Description	Ref.	Part Number	Qty.	Description
1	125-5187	1	Manifold-Lift, HYD	5:2	237-22	2	O-Ring
2	108-5194	1	Filter-Oil, HYD	6	340-103	1	Fitting-HYD, 45 DEG
3	340-77	1	Fitting-HYD, 90 DEG	6:1	237-78	1	O-Ring
3:1	237-22	1	O-Ring	6:2	237-21	1	O-Ring
3:2	237-42	1	O-Ring	7	340-97	1	Fitting-HYD, 90 DEG
4	340-132	2	Fitting-HYD, 90 DEG	7:1	237-22	1	O-Ring
4:1	237-78	1	O-Ring	7:2	237-78	1	O-Ring
4:2	237-21	1	O-Ring	8	115-9147	1	Fitting-Elbow, 90 DEG
5	92-4799	1	Fitting-Tee, HYD	8:1	237-78	1	O-Ring
5:1	237-79	1	O-Ring	9	354-79	1	Cap-Dust



Hydraulic Lift Manifold Assembly No. 125-5187

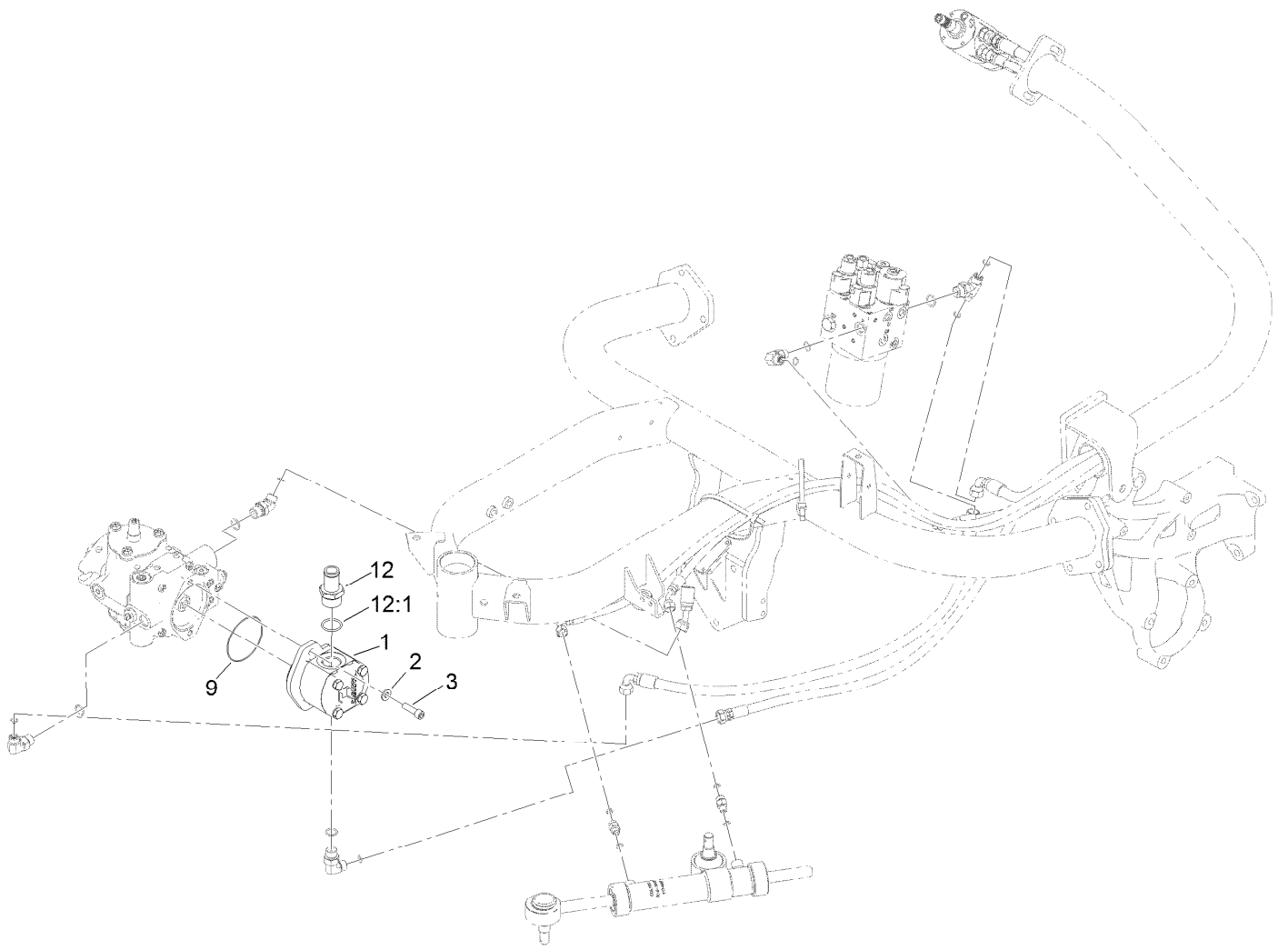
Ref.	Part Number	Qty.	Description
3	119-7144	1	Orifice (.037 Inch)
4	353-990	5	Plug ASM
4:1	237-78	1	O-Ring
5	107-7524	1	Check Valve ASM
5:1	105-9156	1	Seal Kit
6	112-9207	1	Valve-Relief
6:1	105-9156	1	Seal Kit
7	107-7517	1	Valve-Solenoid
7:1	105-9156	1	Seal Kit
7:2	107-7812	1	Nut-Solenoid
8	110-8898	2	Valve-Solenoid
8:1	107-7527	1	Seal Kit
8:2	110-2634	1	Nut-Coil

Ref.	Part Number	Qty.	Description
8:3	110-8909	1	Spacer-Coil
9	110-8906	1	Valve-Solenoid
9:1	110-8908	1	Spool Valve Seal Kit
9:2	110-2634	1	Nut-Coil
10	110-0497	3	Coil-Solenoid
11	110-6344	1	Coil-12V, Dc
13	125-5211	2	Orifice-Control, Flow (0.030)
14	340-132	1	Fitting-HYD, 90 DEG
14:1	237-78	1	O-Ring
14:2	237-21	1	O-Ring
15	340-54	1	Elbow-45 DEG
15:1	237-22	1	O-Ring
15:2	237-78	1	O-Ring



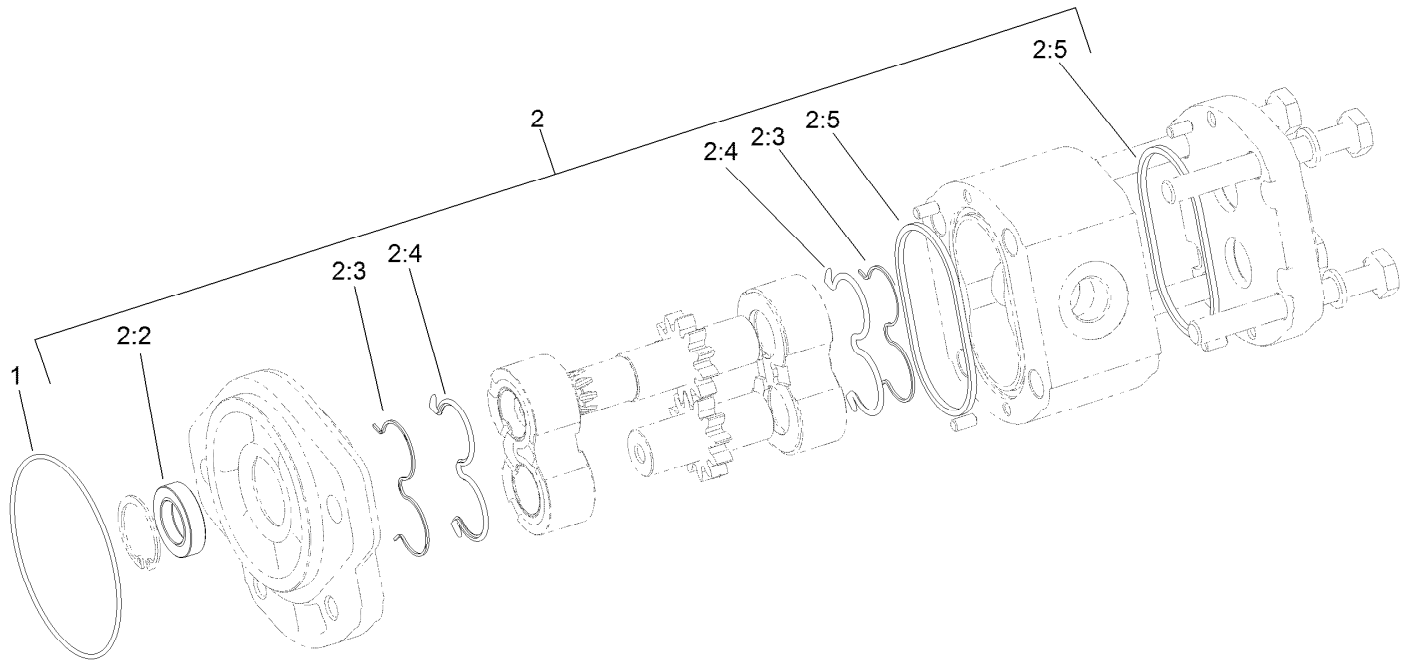
Steering Circuit Assembly (1)

Ref.	Part Number	Qty.	Description
1	340-18	2	Fitting-HYD, 90 DEG
1:1	237-79	1	O-Ring
1:2	237-22	1	O-Ring
6	340-92	2	Fitting-HYD, Straight
6:1	237-78	1	O-Ring
6:2	237-21	1	O-Ring
8	125-5168	1	HYD Hose ASM
10	125-5167	1	HYD Hose ASM
11	117-3683	1	HYD Hose ASM
12	125-5166	1	HYD Hose ASM
13	3334-945	2	Tie-Cable



Steering Circuit Assembly (2)

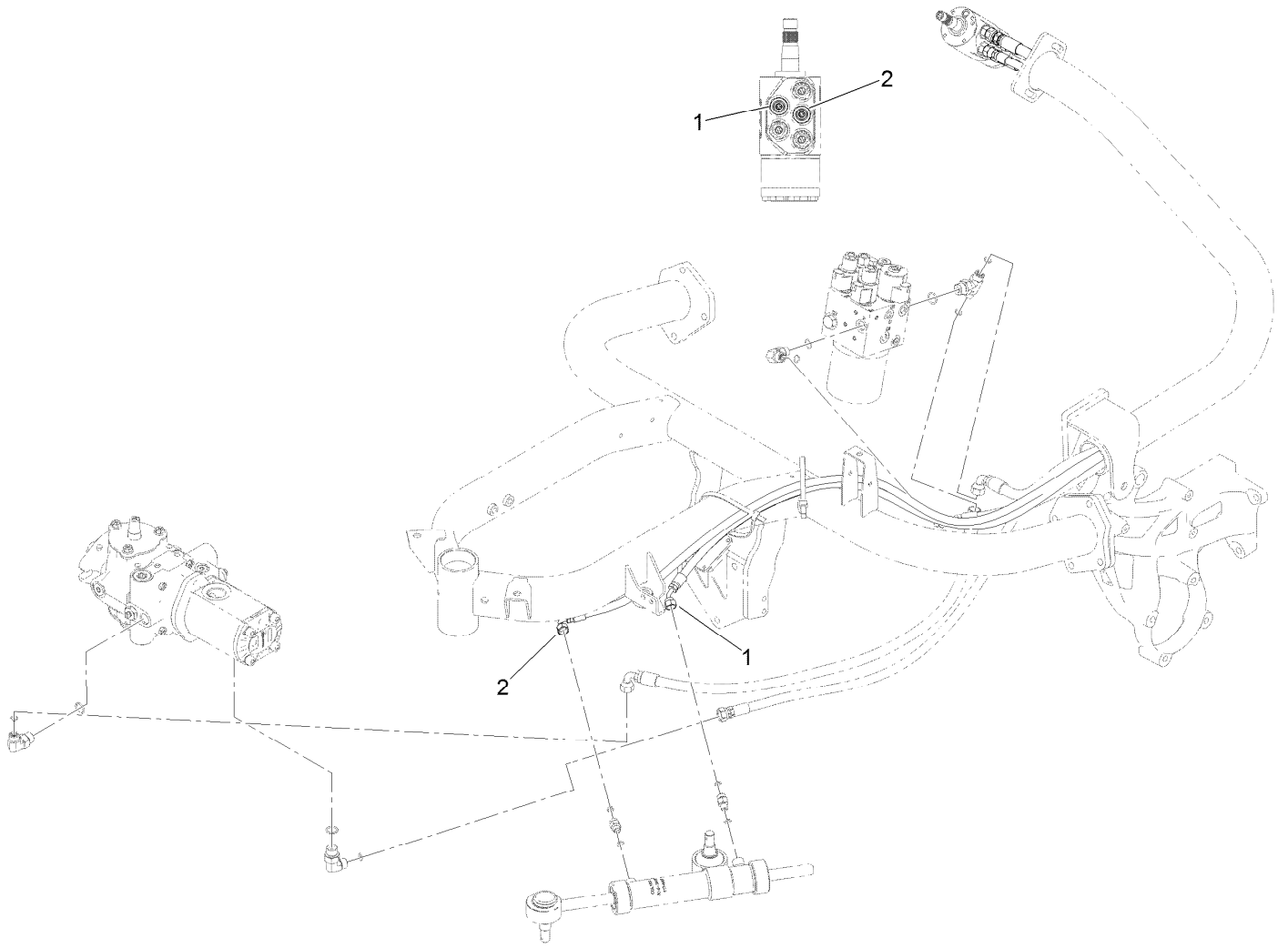
<i>Ref.</i>	<i>Part Number</i>	<i>Qty.</i>	<i>Description</i>
1	114-9958	1	HYD Gear Pump ASM
2	100-4852	2	Washer-Hardened
3	3274-1	2	Screw-HSH
9	353-949	1	O-Ring
12	354-78	1	Connector-Hose
12:1	237-146	1	O-Ring



Hydraulic Gear Pump Assembly No. 114-9958

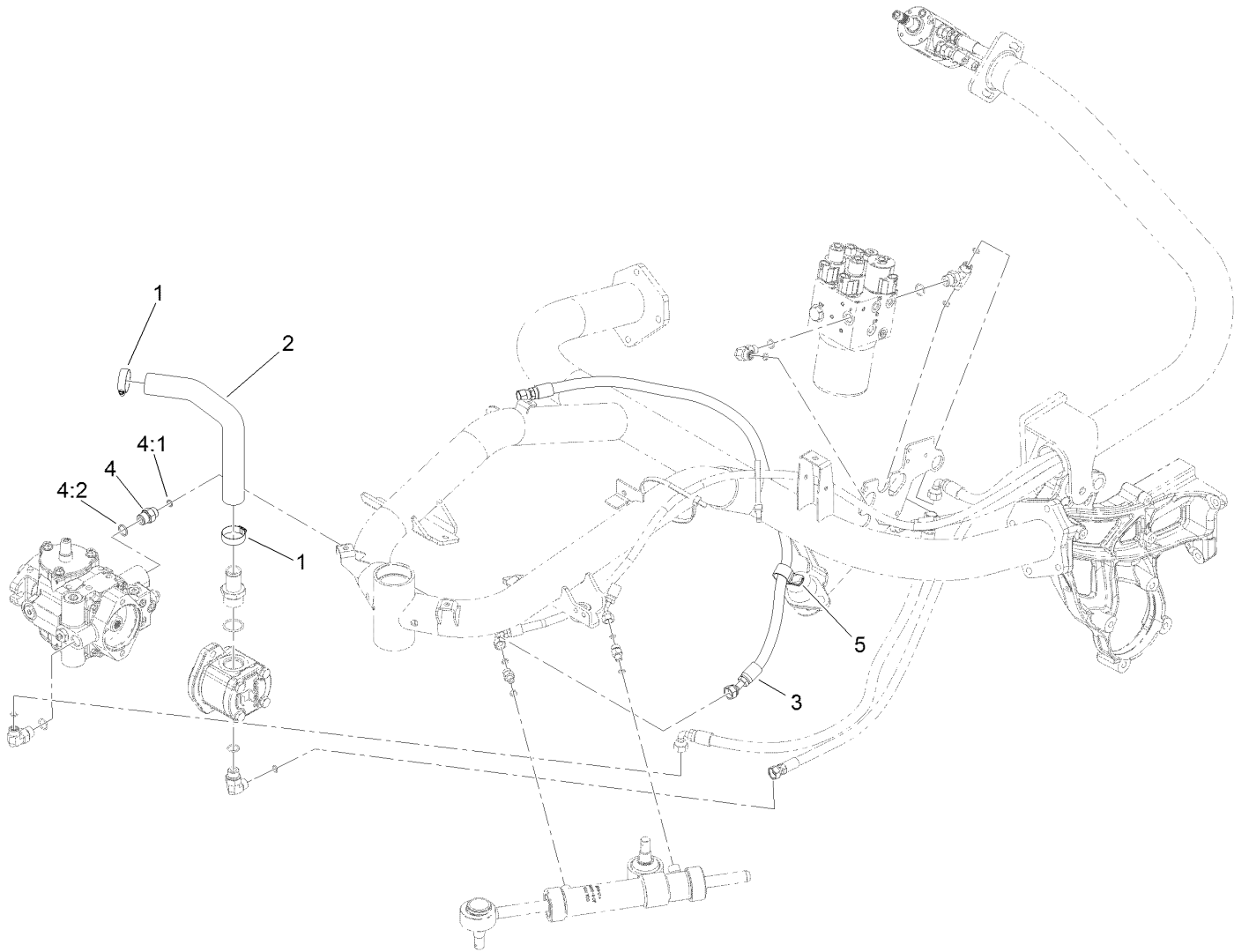
<i>Ref.</i>	<i>Part Number</i>	<i>Qty.</i>	<i>Description</i>
1	353-949	1	O-Ring
2	119-7135	1	Kit-Seal
2:2		1	Shaft Seal ●
2:3		2	Anti-Extrusion Seal ●
2:4		2	Seal ●
2:5		2	Seal Square Section ●

● Not serviced separately



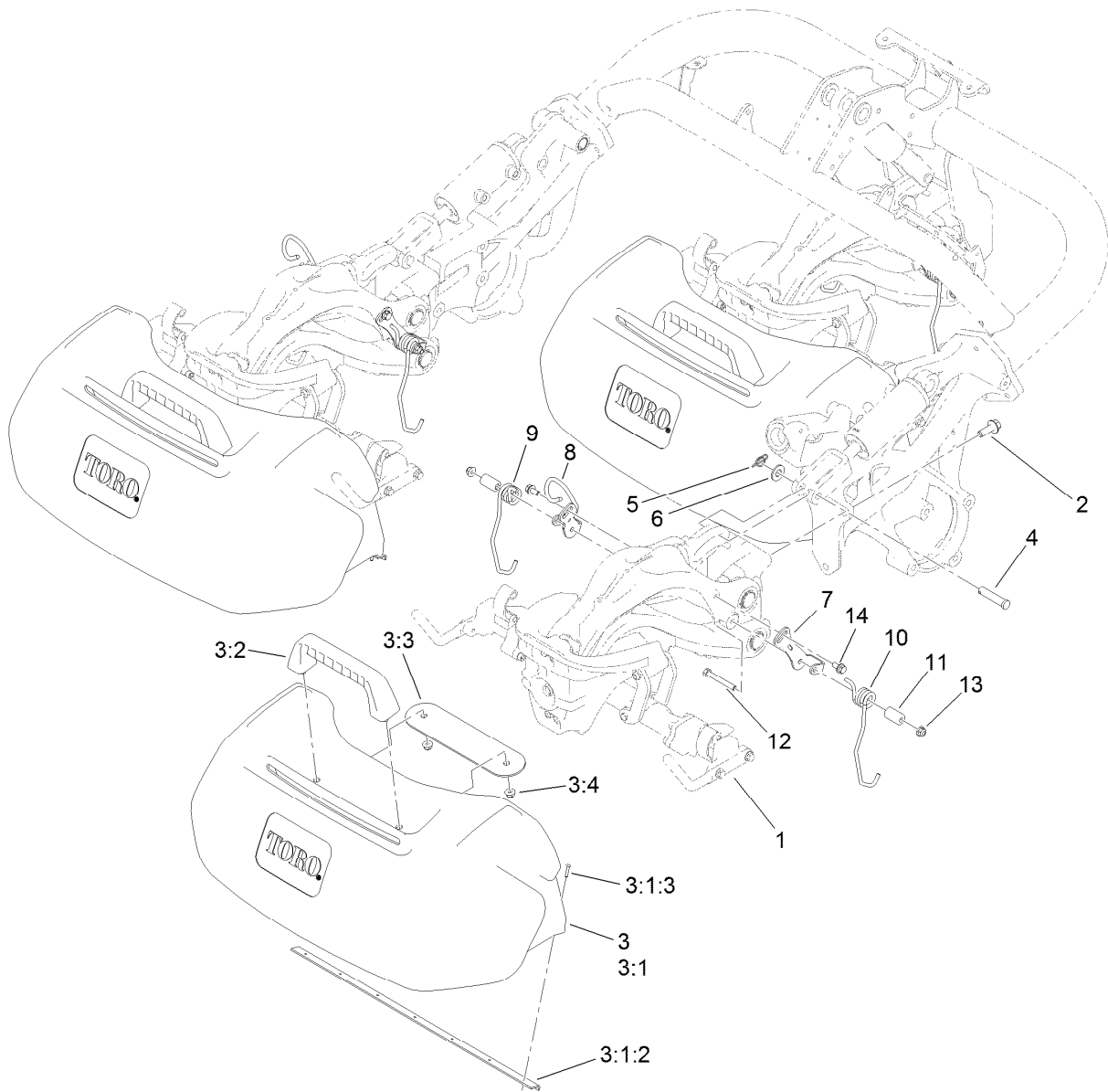
Steering Circuit Assembly (3)

<i>Ref.</i>	<i>Part Number</i>	<i>Qty.</i>	<i>Description</i>
1	117-3685	1	HYD Hose ASM
2	117-3688	1	HYD Hose ASM



Steering Circuit Assembly (4)

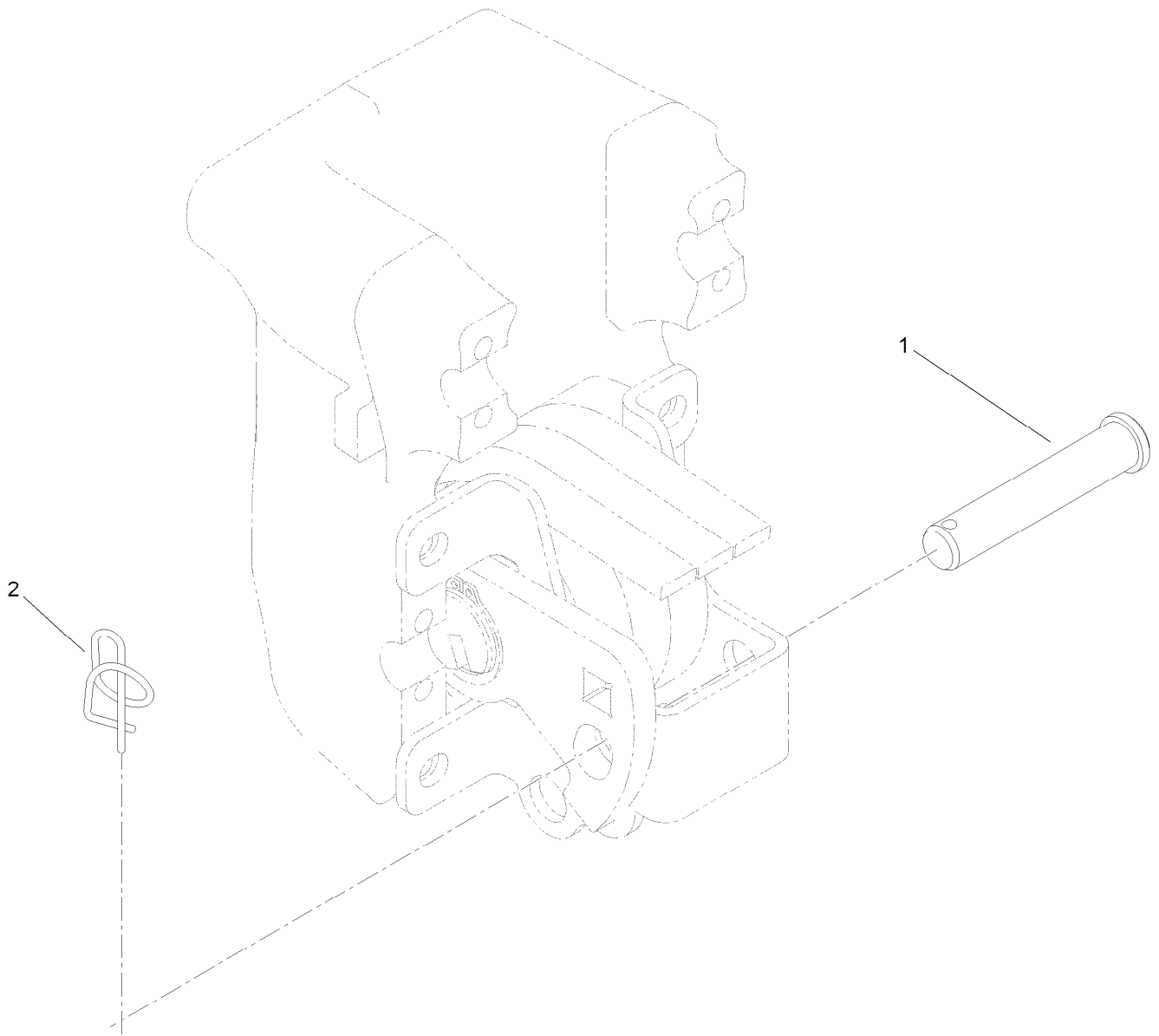
<i>Ref.</i>	<i>Part Number</i>	<i>Qty.</i>	<i>Description</i>
1	2412-34	2	Clamp-Hose
2	119-2068	1	Hose-Suction
3	120-1963	1	HYD Hose ASM
4	340-3	1	Adapter
4:1	237-22	1	O-Ring
4:2	237-79	1	O-Ring
5	2412-39	1	R-Clamp



Suspension and Basket Assembly

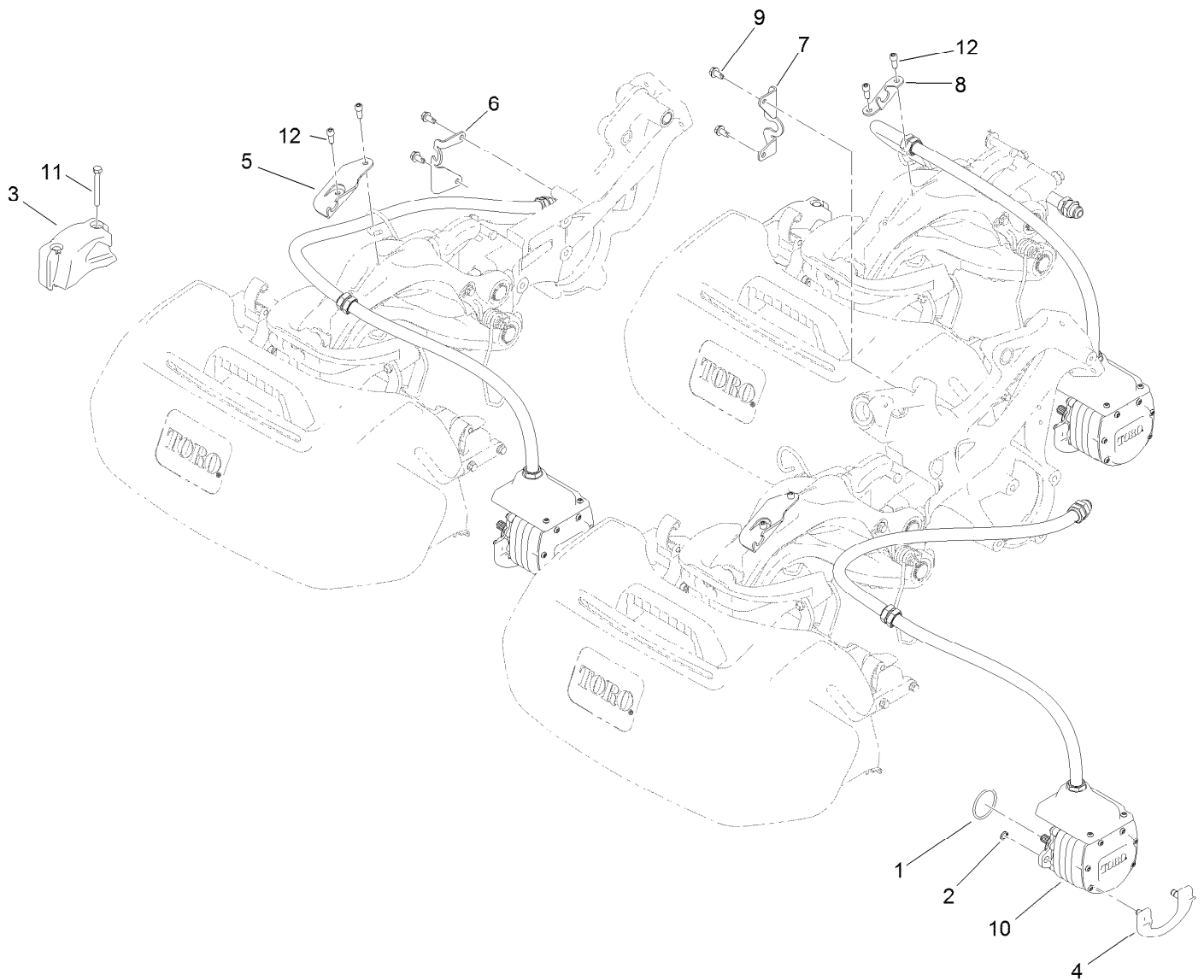
Ref.	Part Number	Qty.	Description	Ref.	Part Number	Qty.	Description
1		3	Suspension ASM ●	5	112-1491	3	Pin-Cotter
2	117-9035	9	Screw-HHF	6	29-8910	3	Washer
3	117-8096	3	Basket ASM	7	117-6822	3	Retainer-Spring, LH
3:1	120-2775	1	Grass Basket ASM	8	120-4617	3	Bracket ASM
3:1:2	120-2776	1	Support-Basket	9	117-6826	3	Spring-Stabilizer, RH
3:1:3	3290-382	9	Rivet-Pop	10	117-6827	3	Spring-Stabilizer, LH
3:2	117-8088	1	Handle-Grab	11	117-6825	6	Spacer
3:3	117-8092-03	1	Plate-Mounting	12	322-12	6	Screw-HH
3:4	104-8300	2	Nut-Flange, NI	13	104-8300	6	Nut-Flange, NI
4	92-2739	3	Pin-Clevis	14	114-7728	6	Screw-Threadlock

● Not serviced separately



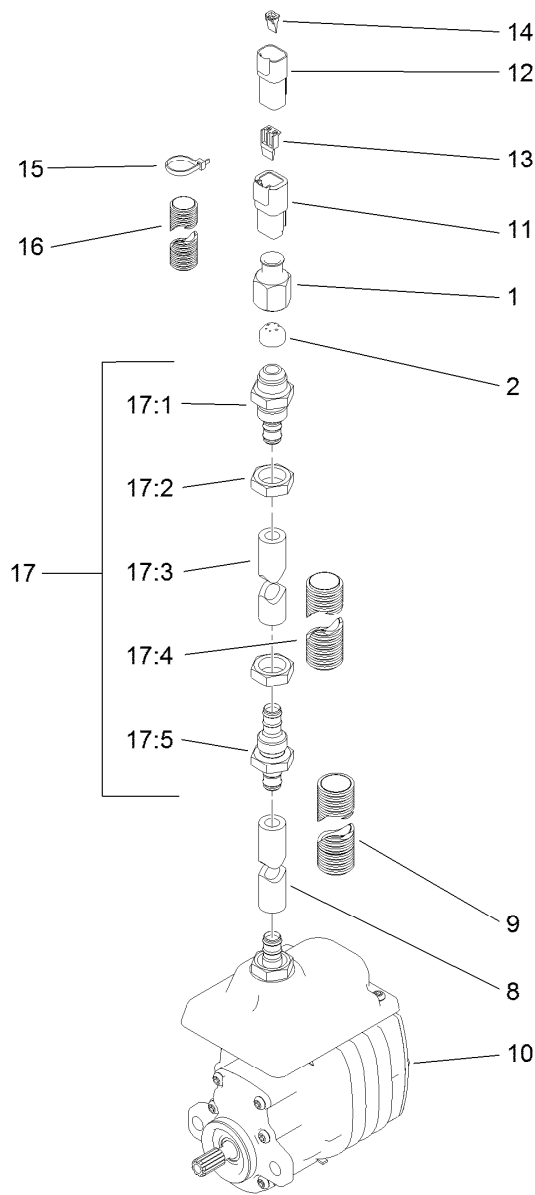
Suspension Pin Position Assembly

<i>Ref.</i>	<i>Part Number</i>	<i>Qty.</i>	<i>Description</i>
1	100-6541	3	Pin-Clevis
2	112-1491	3	Pin-Cotter



Electric Reel Motor Assembly

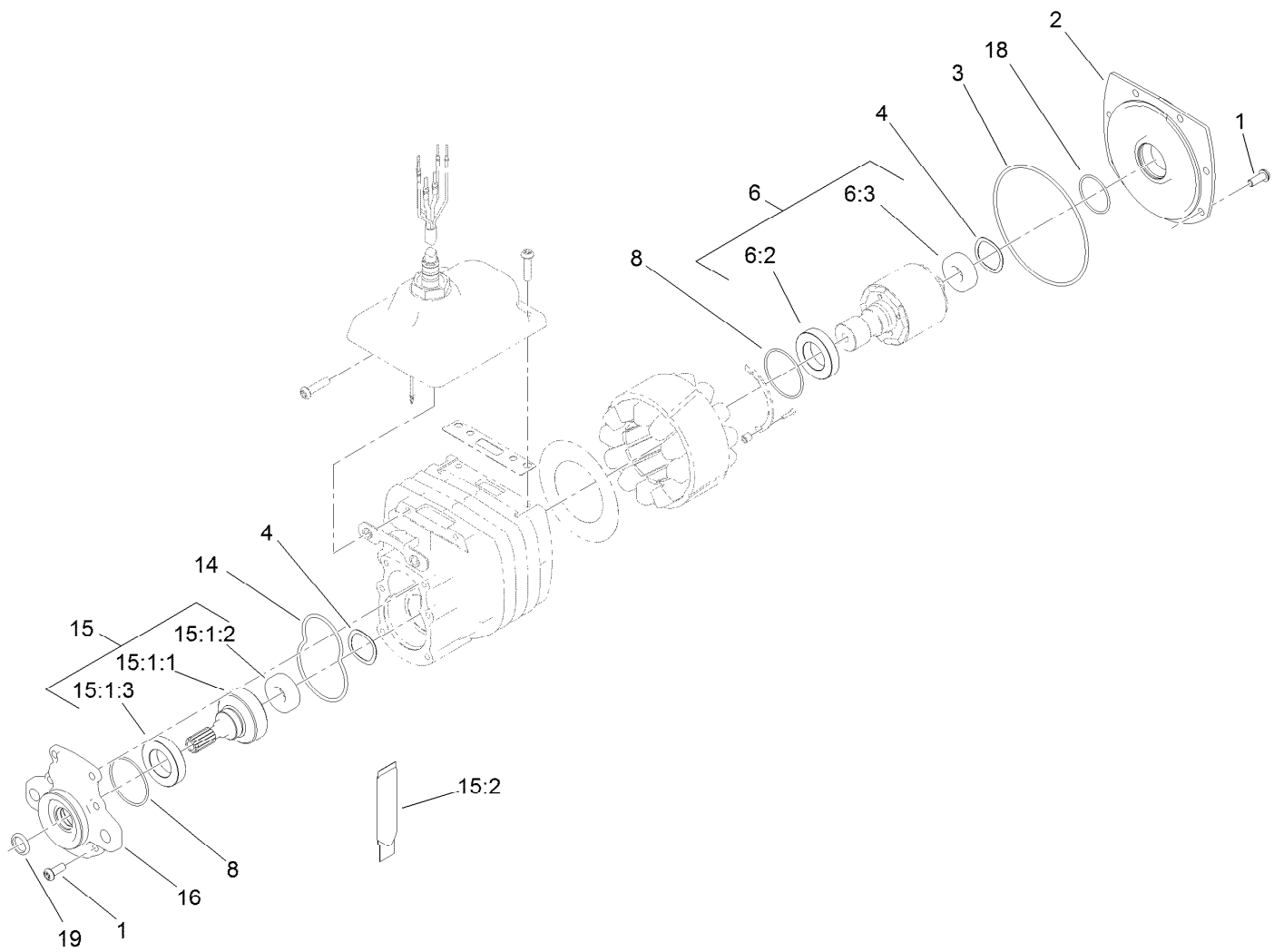
Ref.	Part Number	Qty.	Description
1	115-3298	3	O-Ring
2	115-5206	6	Ring-Retaining
3	117-6774-03	3	Weight-Electric
4	115-5389	3	Cam-Mount, Motor
5	119-7487	2	Bracket-Clamp, Hose
6	120-4551	1	Bracket-Hose
7	120-4531	1	Bracket-Hose
8	119-7540	1	Bracket-Hose, Rear
9	32104-32	4	Screw-HWH
10	127-2450	3	Motor-Electric
11	322-13	6	Screw-HH
12	100-2401	6	Screw-HSH



Electric Reel Motor Assembly No. 127-2450

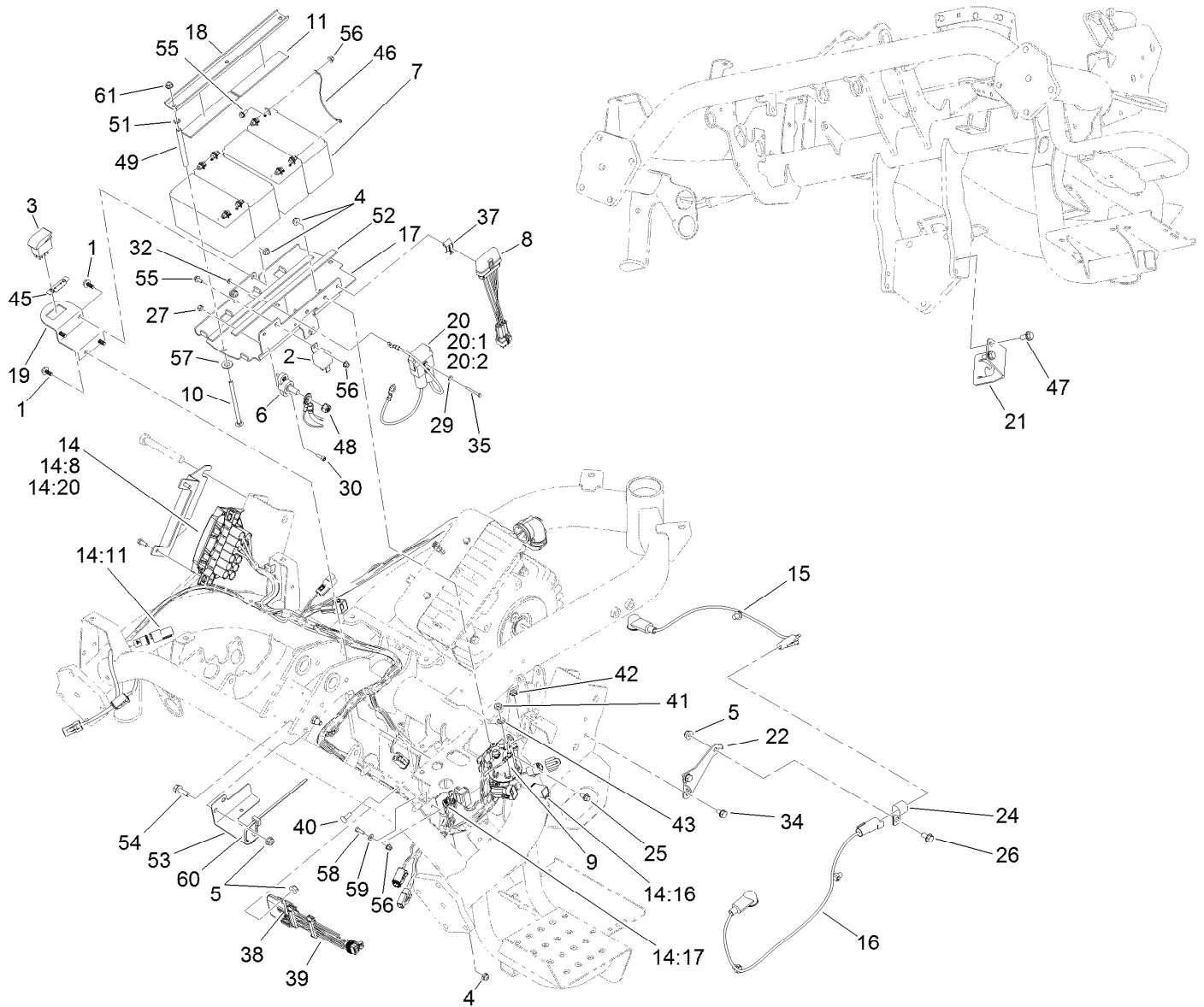
<i>Ref.</i>	<i>Part Number</i>	<i>Qty.</i>	<i>Description</i>	<i>Ref.</i>	<i>Part Number</i>	<i>Qty.</i>	<i>Description</i>
1	119-7481	1	Nut-Ferrule	15	3290-378	4	Tie-Cable
2	119-7480	1	Ferrule	16	120-3223	1	Tubing-Convoluted, Slit
8	119-7476	1	Hose	17	120-4532	1	Hose ASM
9	119-7558	1	Tubing-Convoluted, Slit	17:1	119-7545	1	Fitting-Bulkhead
10		1	Electric Motor ●	17:2	119-7457	2	Nut
11	32160-245	1	Connector	17:3	119-7524	1	Hose
12	32160-315	1	Connector	17:4	119-7559	1	Tubing-Convoluted, Slit
13	32180-083	1	Wedge	17:5	119-7544	1	Fitting-Bulkhead
14	32180-084	1	Wedge				

● Not serviced separately



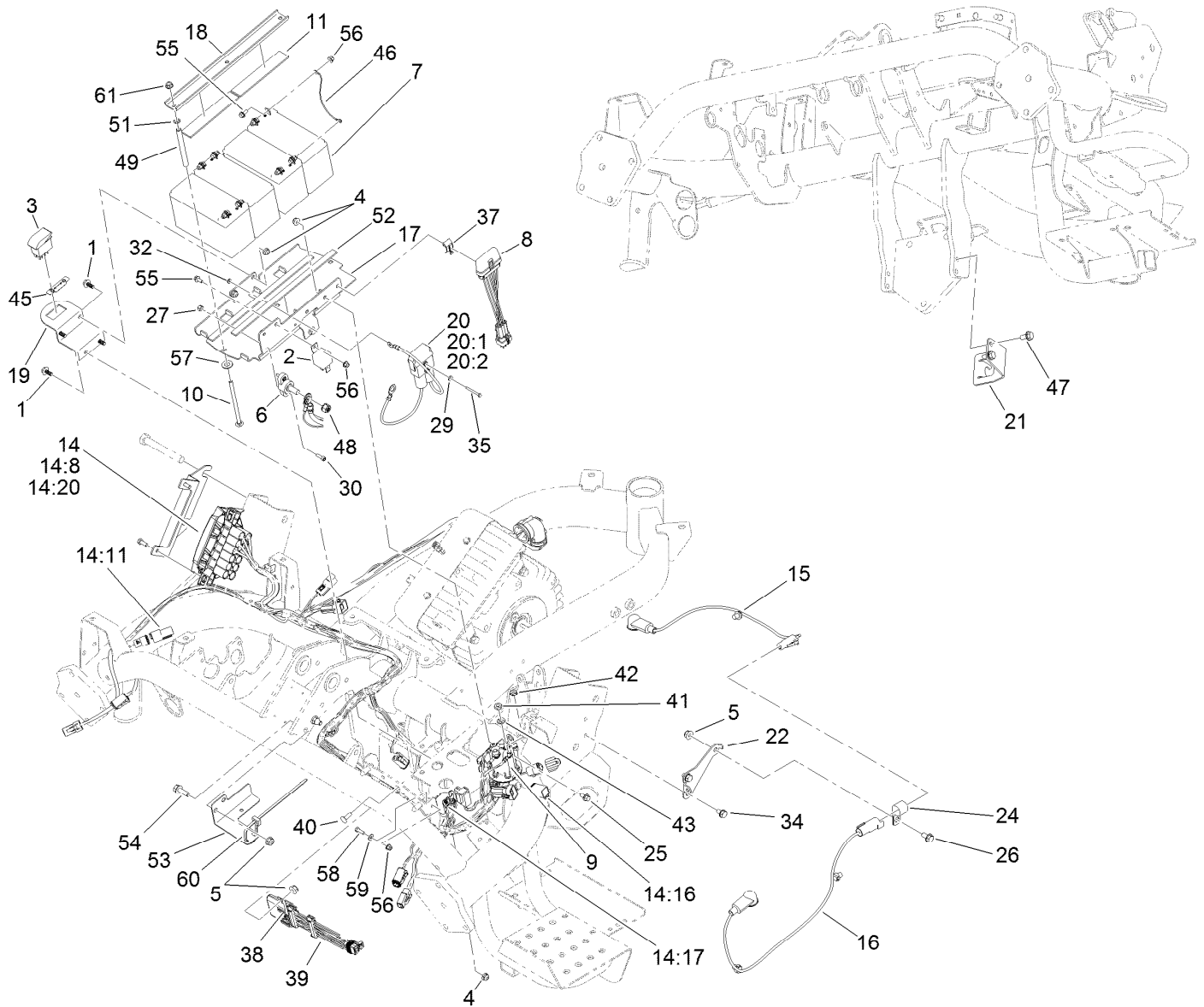
Electric Motor Assembly

Ref.	Part Number	Qty.	Description	Ref.	Part Number	Qty.	Description
1	120-4559	12	Screw-Bhcs	15	127-1599	1	Output Gear ASM
2	115-4779	1	Cover-Motor	15:1:1	112-5153	1	Gear-Output
3	112-9609	1	O-Ring	15:1:2	120-4557	1	Bearing
4	112-5163	2	Washer-Wave	15:1:3	112-5158	1	Bearing-Ball
6	119-7450	1	Rotor ASM	15:2	127-1501	1	Grease-Synthetic
6:2	112-5158	1	Bearing-Ball	16	115-4777	1	Cover-Gearbox
6:3	120-4557	1	Bearing	18	119-1156	1	O-Ring
8	112-9616	2	O-Ring	19	119-7451	1	Seal-Oil
14	112-9611	1	O-Ring				



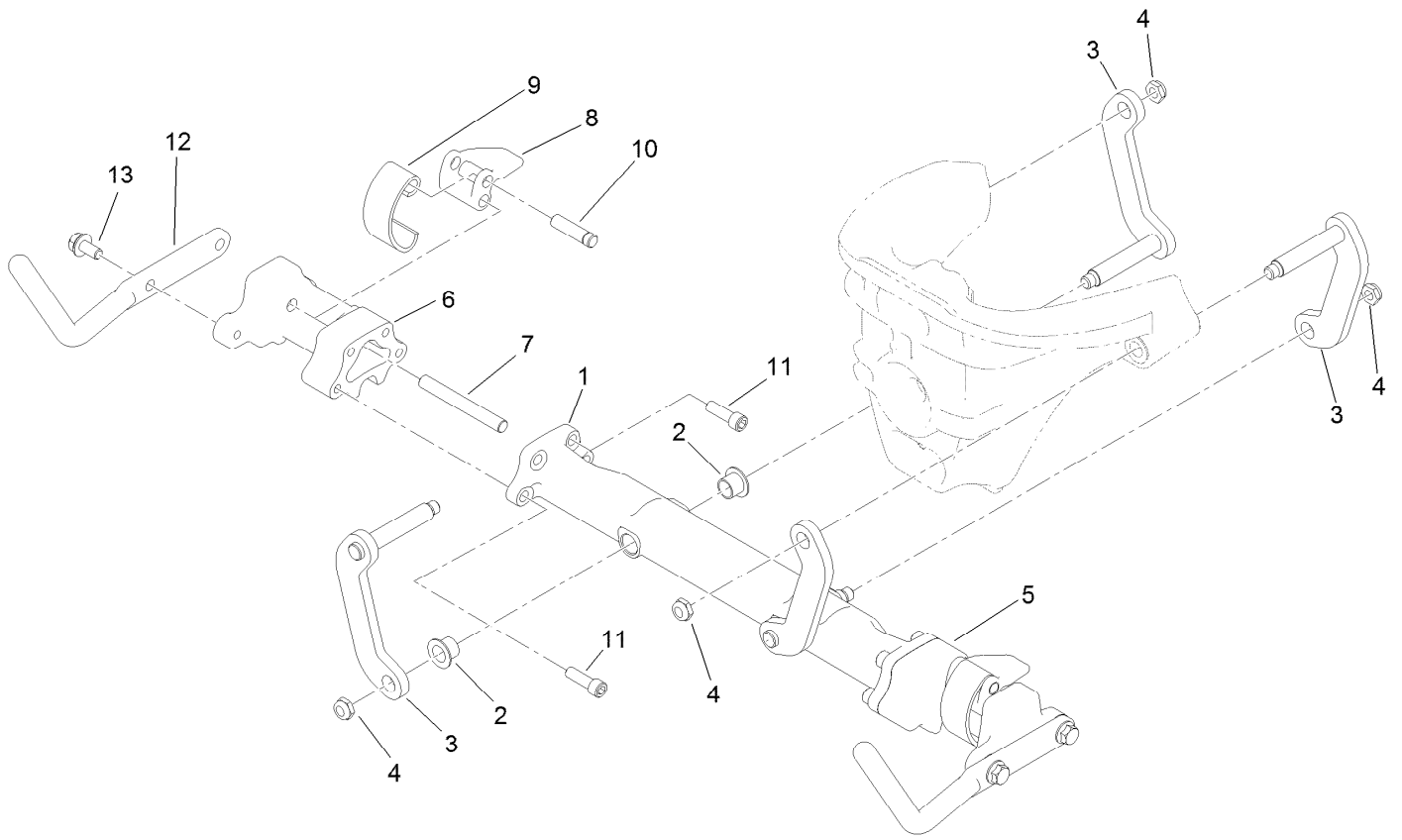
Electric Mow Battery Assembly

Ref.	Part Number	Qty.	Description	Ref.	Part Number	Qty.	Description
1	99-6810	5	Screw-HHF	17	119-2103-01	1	Plate-Battery
2	99-7435	1	Relay-Power	18	119-2104-01	1	Channel-Clamp, Battery
3	100-8490	1	Switch-Rocker	19	121-6669-01	1	Bracket-Backlap
4	104-7201	7	Nut-Flange, NI	20	119-5773	1	Harness-Wire
5	104-8300	3	Nut-Flange, NI	20:1	120-3954	1	Fuse-60 Amp
6	110-8823	1	Block-Junction	20:2	32180-085	1	Fuse-Cover
7	112-9621	4	Battery- Nonspillable	21	119-7566-03	1	Bracket-Hose, Rear
8	112-9630	1	Module-Reel, I.D.	22	119-8175	1	Bracket-Disconnect
9	115-4765	1	Contactora	24	2412-4	1	Clamp
10	120-4585	3	Screw-CARR	25	3234-13	2	Screw-HHF
11	115-9477	2	Strip-Foam	26	3234-7	1	Screw-HHF
14	122-0523	1	Harness-Wire	27	3296-21	2	Nut-Lock, NI
14:8	122-0255	3	Fuse-Maxi, 35 Amp-58V	29	3256-12	2	Washer-Flat
14:11	32180-043	2	Resistor-120 Ohm	30	3273-26	2	Screw-HSH
14:16	119-7781	1	Diode-Sealed	32	3296-9	2	Nut-Lock
14:17	120-3958	1	Fuse-Blade, 10A	34	32104-82	2	Screw-HHF
14:20	32180-146	1	Cover-Fuse	35	32105-21	2	Screw-HH
15	119-1783	1	Harness-Wire, Battery Disconnect	37	32180-011	1	Clip-Connector
16	119-1784	1	Harness-Wire, Battery Disconnect	38	32180-020	1	Clip-Connector
				39	119-4330	1	Isolated Can Module ASM
				40	1-807512	1	Bolt-CARR



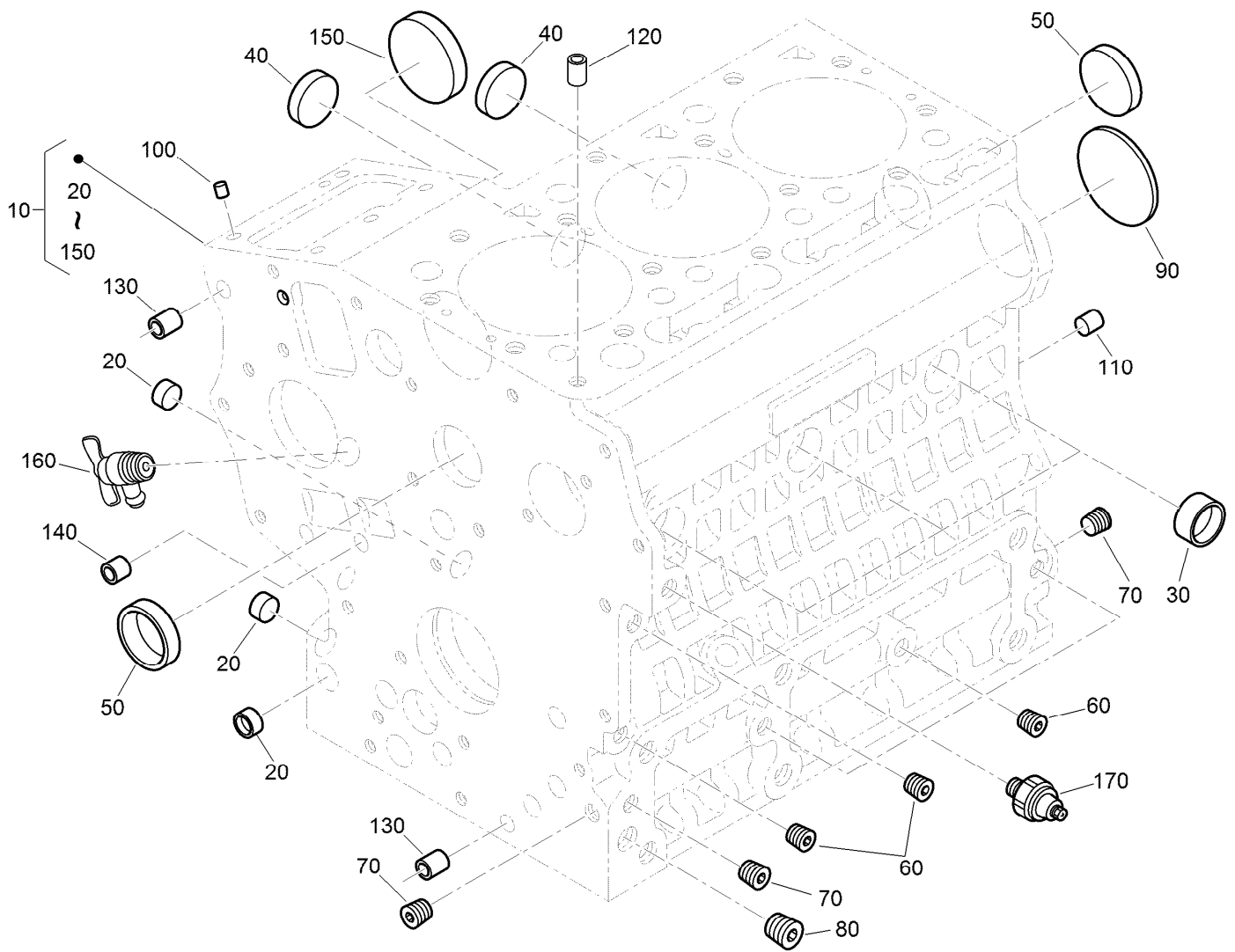
Electric Mow Battery Assembly (continued)

<i>Ref.</i>	<i>Part Number</i>	<i>Qty.</i>	<i>Description</i>	<i>Ref.</i>	<i>Part Number</i>	<i>Qty.</i>	<i>Description</i>
41	3220-2	2	Nut-Jam	52	115-8827	2	Foam-Strip
42	32149-8	2	Nut-Keps	53	120-4570	1	Bracket-Harness
43	3253-4	2	Washer-Lock	54	3234-29	2	Screw-HHF
45	121-6670	1	Decal-Backlap	55	120-4579	9	Screw-Hfh
46	119-1782	3	Battery Jumper Wire Harness ASM	56	120-4580	10	Nut-HF
47	32144-14	2	Screw-HWHTF	57	48-9220	3	Washer
48	32149-10	1	Nut-Keps	58	60-6910	1	Screw-HH
49	120-4586	3	Tube	59	3256-14	1	Washer-Flat
51	1-803037	3	Nut-Retaining	60	3290-378	1	Tie-Cable
				61	32128-33	3	Nut-HF



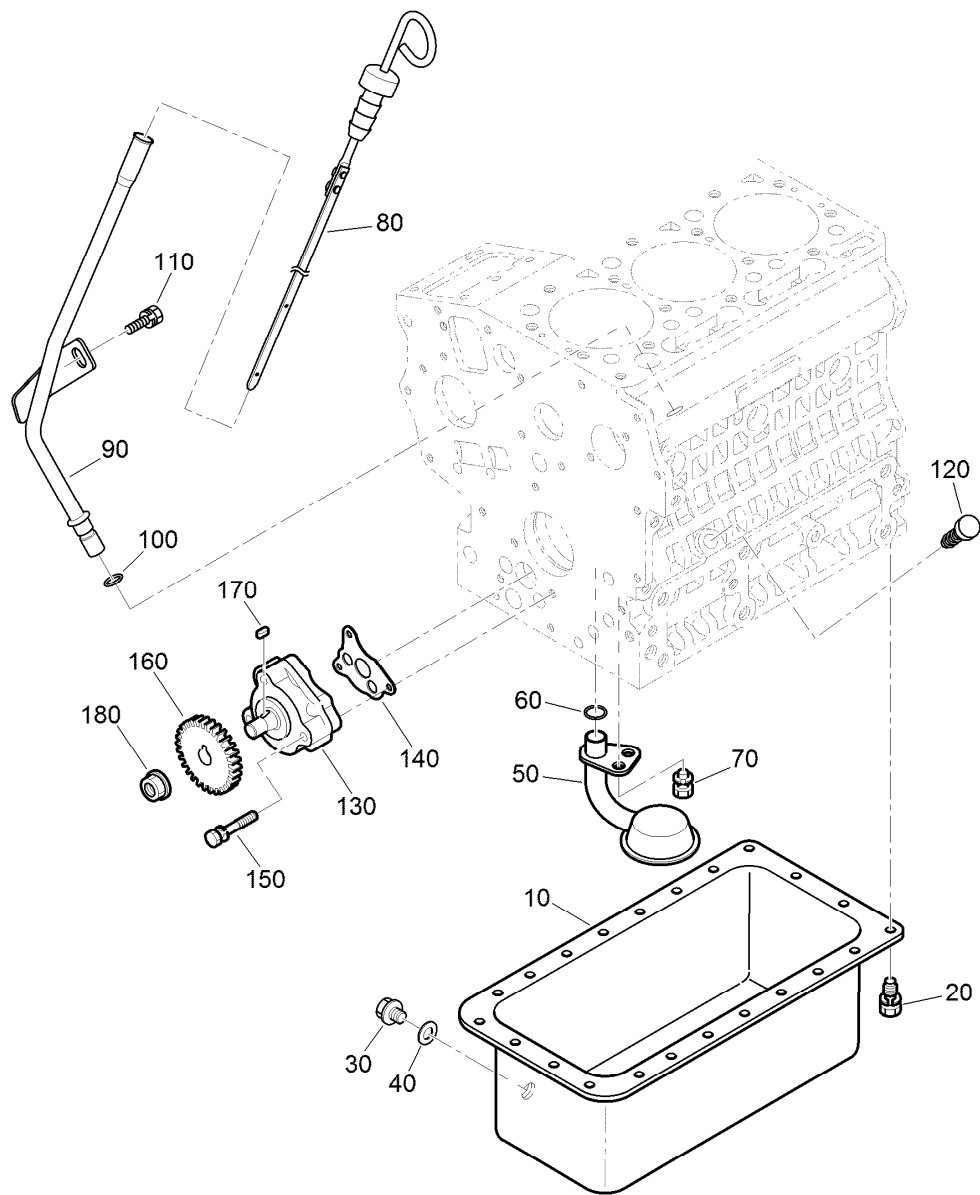
Suspension Crossarm Assembly

<i>Ref.</i>	<i>Part Number</i>	<i>Qty.</i>	<i>Description</i>
1	120-3217	1	Crossarm ASM
2	125-5239	4	Bushing-Flange
3	117-6654	4	Link ASM
4	3296-59	4	Nut-Lock, NI
5	117-9482	1	Mount-Cross Arm, LH
6	117-9492	1	Mount-Cross Arm, RH
7	114-8051	2	Pin-Pivot
8	114-8047	2	Lever
9	114-8048	2	Spring
10	114-8049	2	Pin-Pivot
11	120-3227	8	Screw-HSH
12	120-2784-01	2	Horn-Basket
13	114-7728	4	Screw-Threadlock



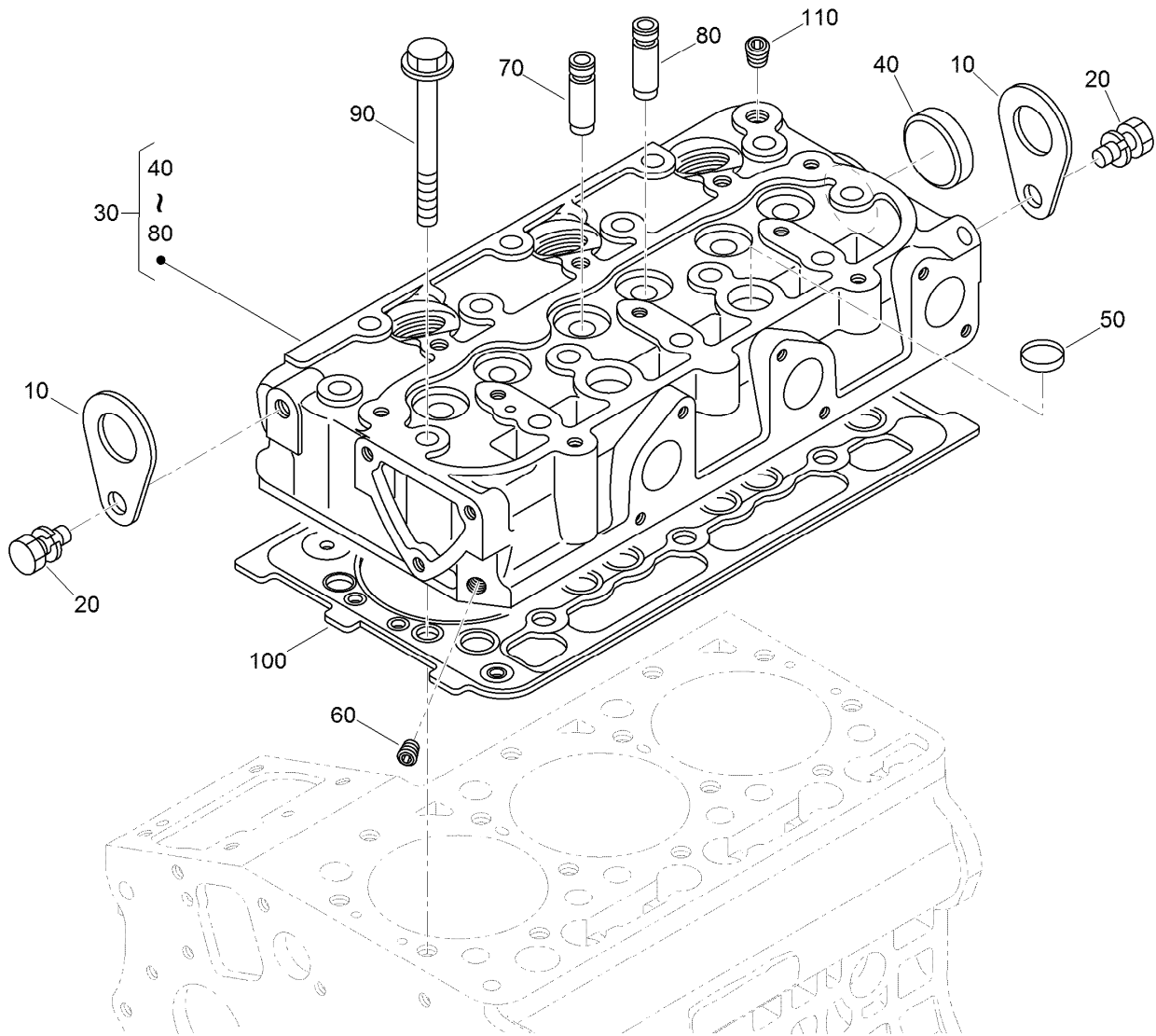
Crankcase Assembly

<i>Ref.</i>	<i>Part Number</i>	<i>Qty.</i>	<i>Description</i>	<i>Ref.</i>	<i>Part Number</i>	<i>Qty.</i>	<i>Description</i>
10	130-1486	1	Crankcase ASM	100	98-9375	2	Pin-Straight
20	100-2019	3	Cap-Sealing	110	98-9377	2	Pin-Straight
30	100-2020	3	Cap-Sealing	120	98-7506	1	Pin-Pipe
40	110-3702	2	Cap-Sealing	130	100-2051	2	Pin-Pipe
50	98-9398	2	Cap-Sealing	140	100-2051	2	Pin-Pipe
60	98-9687	5	Plug	150	100-1991	1	Cover-Fuel, Camshaft
70	98-7487	3	Plug	160	120-3121	1	Draincock ASM
80	98-7488	1	Plug	170	98-7764	1	Switch-Oil
90	100-1851	1	Plug-Expansion				



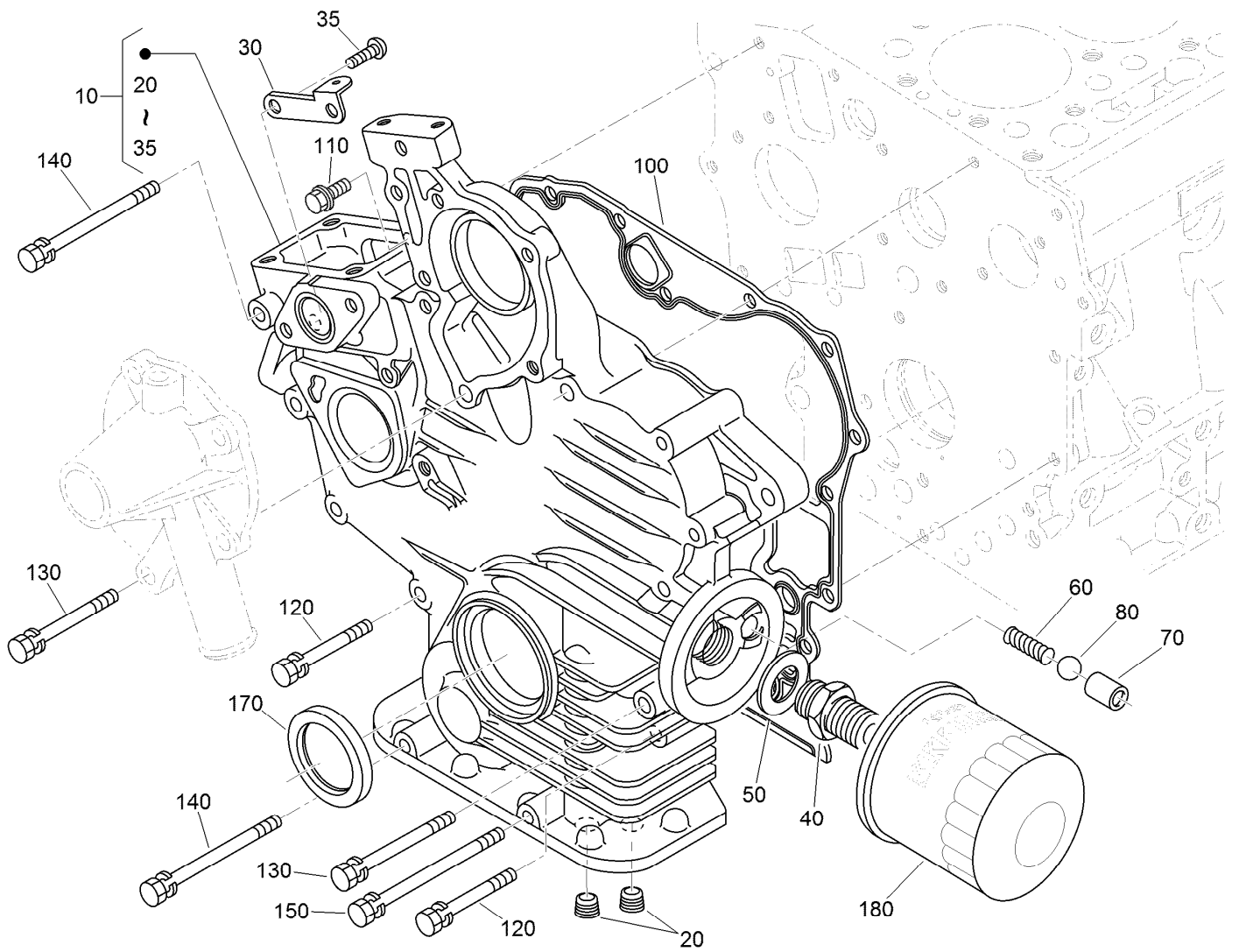
Oil Pan, Oil Pump and Dipstick Assembly

<i>Ref.</i>	<i>Part Number</i>	<i>Qty.</i>	<i>Description</i>	<i>Ref.</i>	<i>Part Number</i>	<i>Qty.</i>	<i>Description</i>
10	120-3122	1	Oil Pan ASM	100	98-9722	1	O-Ring
20	98-9350	22	Bolt	110	115-8504	1	Bolt-Flange
30	114-8151	1	Plug-Drain	120	110-3720	1	Plug-Gauge, Oil
40	98-7524	1	Gasket	130	100-2002	1	Oil Pump ASM
50	100-2001	1	Strainer-Pickup, Oil	140	100-2003	1	Gasket-Pump, Oil
60	105-3776	1	O-Ring	150	100-1923	3	Bolt
70	100-9195	1	Bolt	160	130-1419	1	Gear-Drive, Oil Pump
80	120-3124	1	Gauge-Oil	170	98-7658	1	Key-Feather
90	120-3125	1	Guide-Gauge, Oil	180	100-1779	1	Nut-Flange



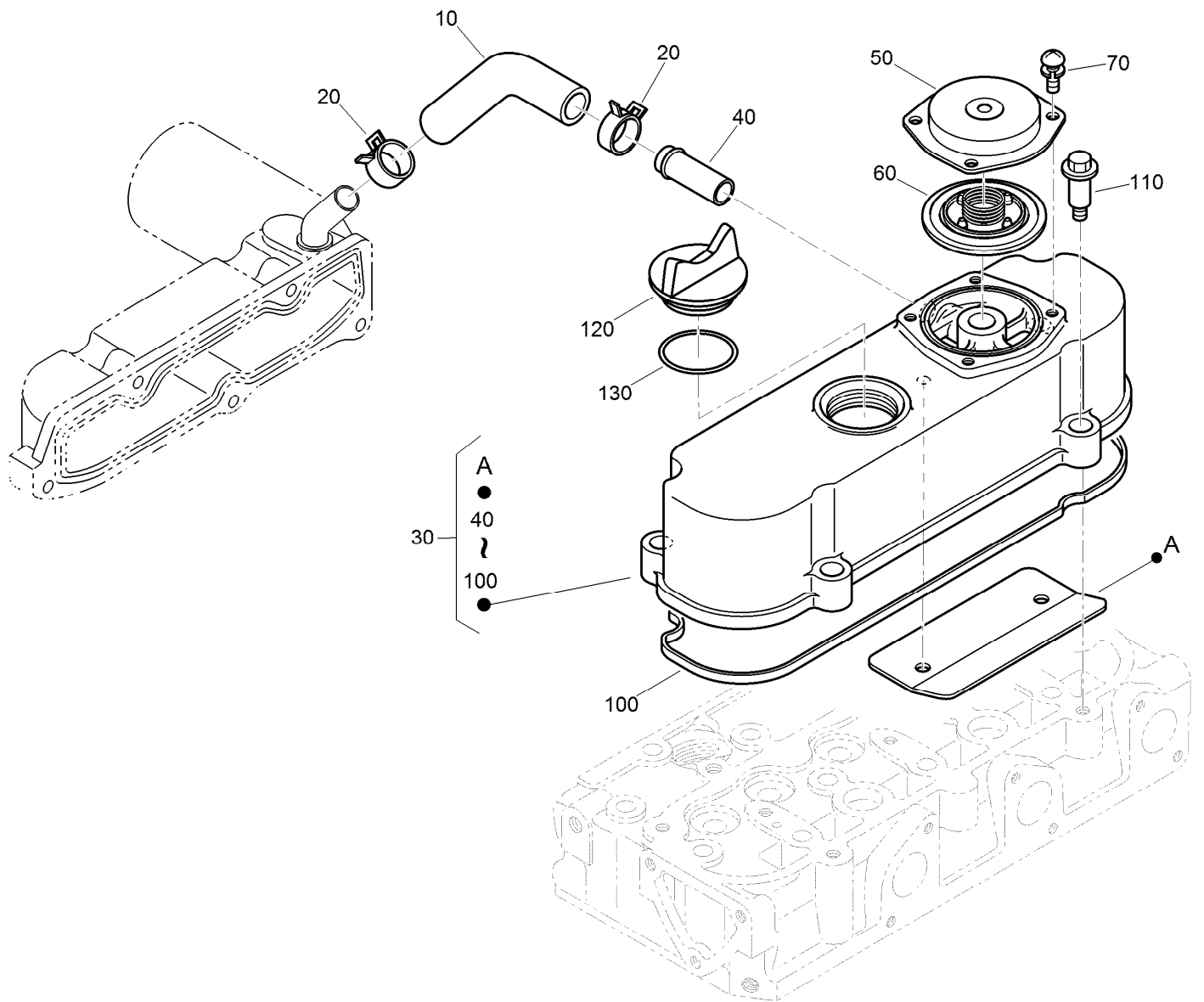
Cylinder Head Assembly

Ref.	Part Number	Qty.	Description
10	98-7531	2	Hook-Engine
20	98-7526	2	Bolt
30	130-1504	1	Cylinder Head ASM
40	105-3705	1	Cap-Sealing
50	98-9389	2	Cap-Sealing
60	98-9687	1	Plug
70	100-1882	3	Guide-Valve, Inlet
80	100-1883	3	Guide-Valve, Exhaust
90	100-1820	14	Bolt-Head, Cylinder
100	112-2520	1	Gasket-Head, Cylinder
110	98-9444	1	Plug



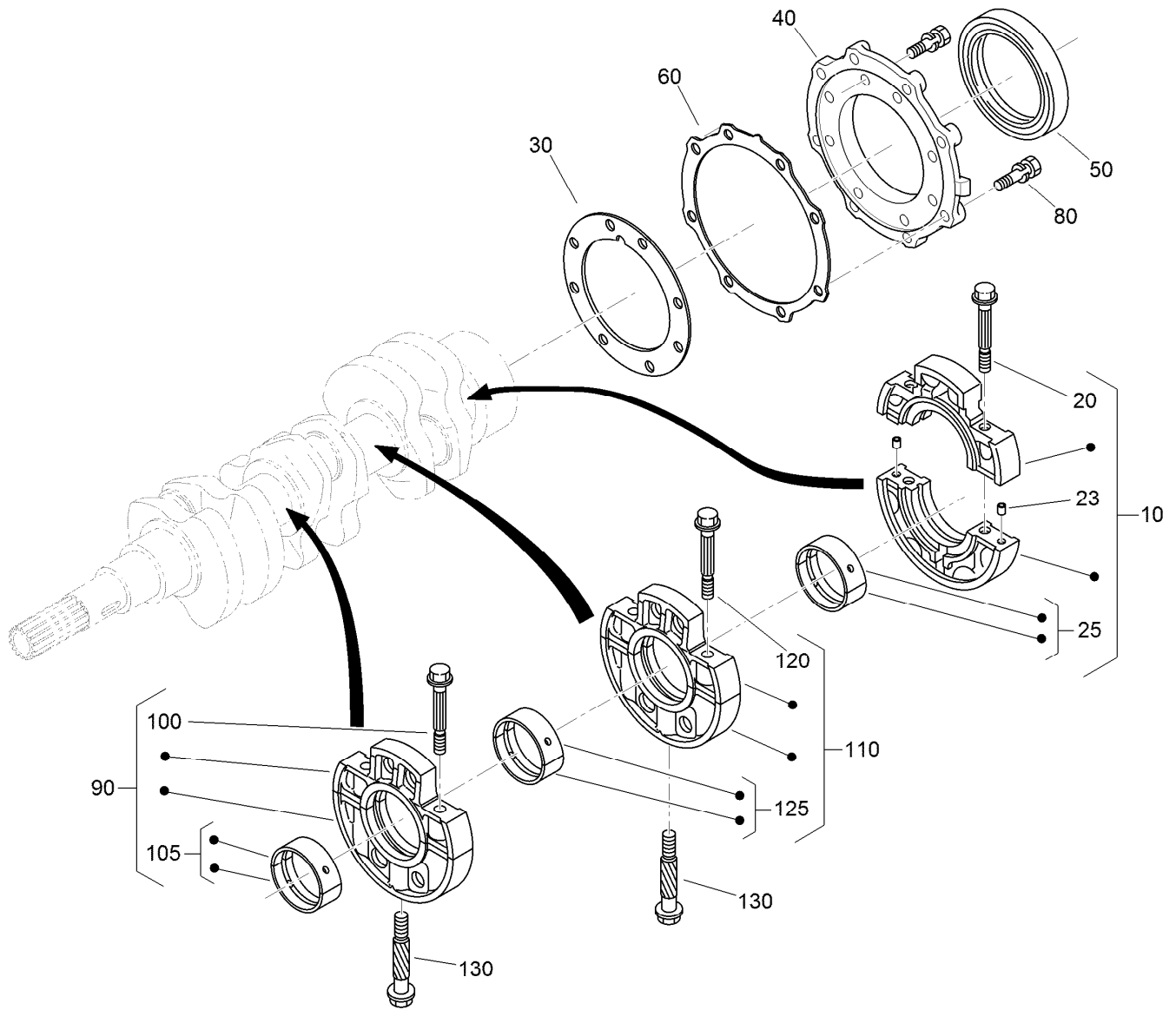
Gear Case and Oil Filter Cartridge Assembly

<i>Ref.</i>	<i>Part Number</i>	<i>Qty.</i>	<i>Description</i>	<i>Ref.</i>	<i>Part Number</i>	<i>Qty.</i>	<i>Description</i>
10	120-3138	1	Gear Case ASM	100	117-0327	1	Gasket-Case, Gear
20	98-7488	2	Plug	110	127-0403	1	Bolt-Flange
30	110-3708	1	Stay-Spring, Start	120	125-9063	9	Bolt-Sems
35	100-2040	2	Screw	130	100-1922	2	Bolt
40	98-9388	1	Joint-Pipe	140	98-9357	2	Bolt
50	100-1926	1	Washer-Plain	150	110-3710	1	Bolt
60	100-2004	1	Spring	170	120-7852	1	Seal-Oil
70	100-1894	1	Seat-Valve	180	115-8189	1	Filter-Oil, Engine
80	100-1792	1	Ball				



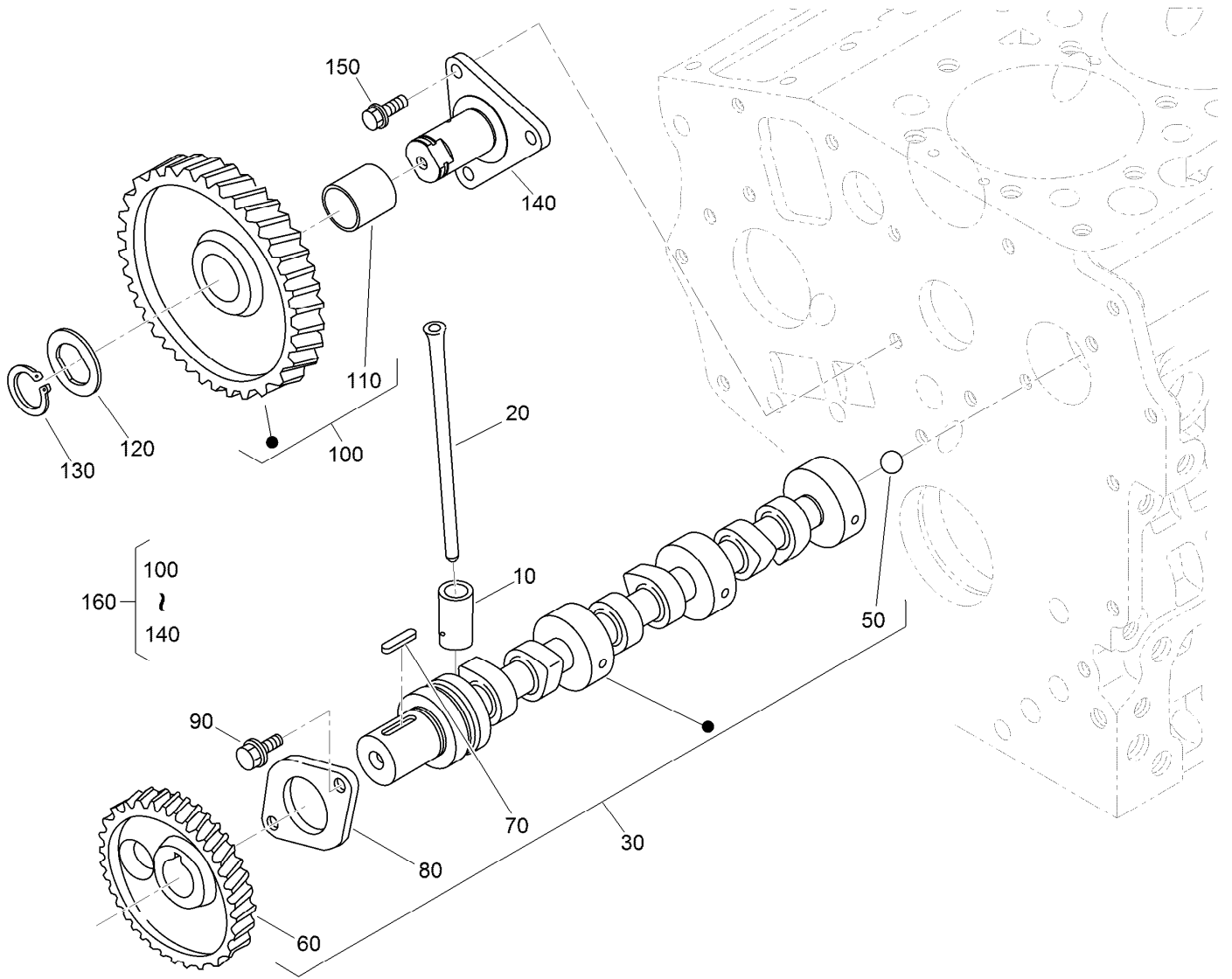
Cylinder Head Cover Assembly

Ref.	Part Number	Qty.	Description
10	120-3139	1	Tube-Breather
20	110-3712	2	Clamp-Hose
30	112-8332	1	Cylinder Head Cover ASM
40	98-9580	1	Pipe-Return, Water
50	110-3714	1	Cover-Breather
60	110-3715	1	Valve-Breather
70	98-9364	4	Screw (With Washer)
100	112-2521	1	Gasket-Cover, Head
110	108-7063	4	Bolt
120	107-9075	1	Plug-Filler, Oil
130	99-3446	1	O-Ring



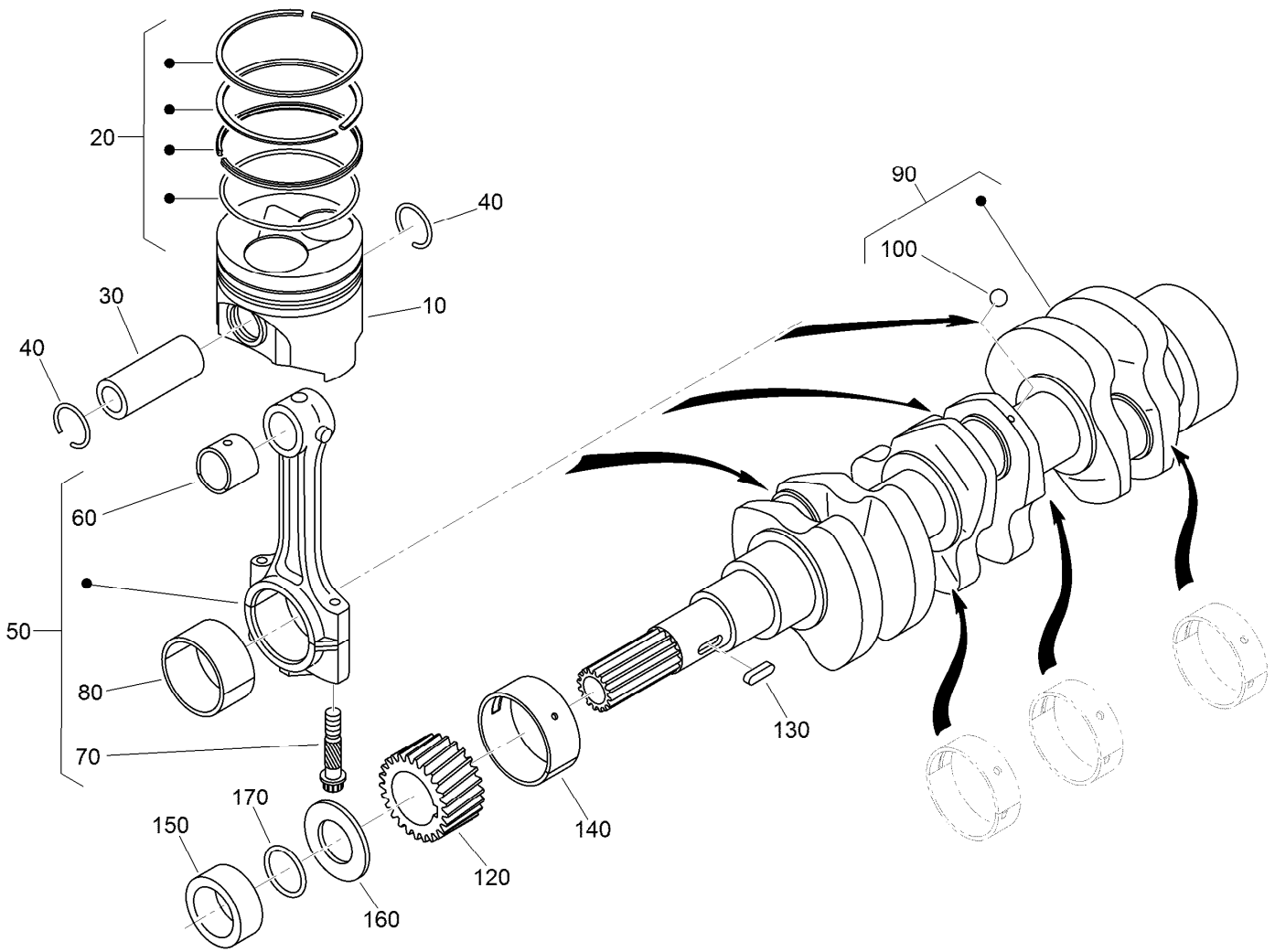
Main Bearing Case Assembly

<i>Ref.</i>	<i>Part Number</i>	<i>Qty.</i>	<i>Description</i>	<i>Ref.</i>	<i>Part Number</i>	<i>Qty.</i>	<i>Description</i>
10	125-9064	1	Wheel Bearing Case ASM	105	110-3741	1	Crankshaft Metal ASM (STD)
20	125-9065	2	Bolt-Flange	105	125-9083	1	Crankshaft Metal ASM (-0.20Mm)
23	125-9082	2	Pin-Straight	105	110-3743	1	Crankshaft Metal ASM (-0.40Mm)
25	125-9066	1	Crankshaft Metal ASM (STD)	110	130-1418	1	Main Bearing Case ASM
25	125-9067	1	Crankshaft Metal ASM (-0.20Mm)	120	110-3723	2	Bolt-Case, Bearing
25	125-9068	1	Crankshaft Metal ASM (-0.40Mm)	125	110-3741	1	Crankshaft Metal ASM (STD)
30	100-1873	1	Gasket-Case, Bearing	125	125-9083	1	Crankshaft Metal ASM (-0.20Mm)
40	112-8334	1	Cover-Case, Bearing	125	110-3743	1	Crankshaft Metal ASM (-0.40Mm)
50	110-3724	1	Seal-Oil	130	100-1874	2	Bolt-Case, Bearing
60	100-1876	1	Gasket-Cover, Case				
80	100-1750	16	Bolt				
90	130-1417	1	Main Bearing Case ASM				
100	110-3723	2	Bolt-Case, Bearing				



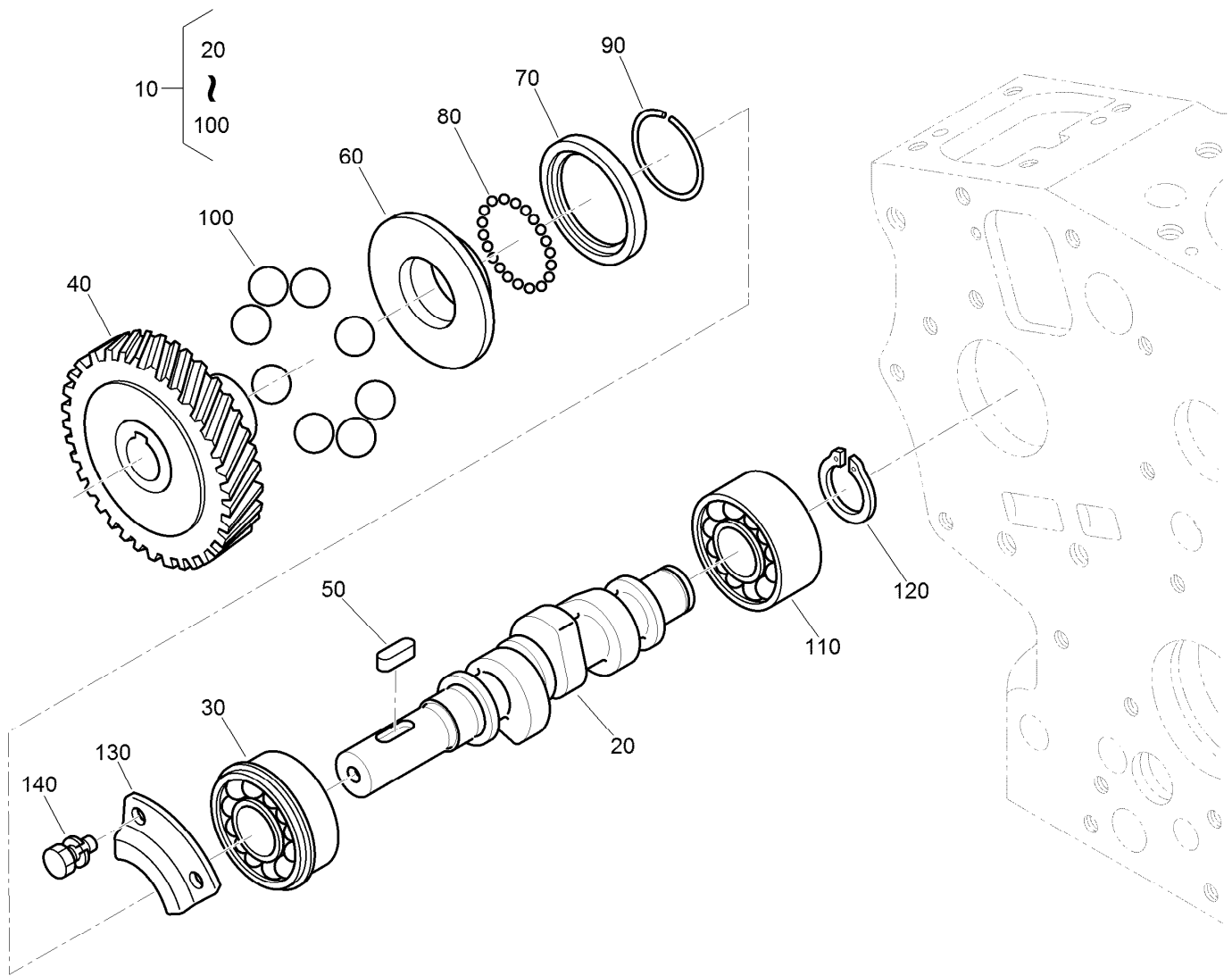
Camshaft and Idle Gear Shaft Assembly

Ref.	Part Number	Qty.	Description
10	110-3727	6	Tappet
20	100-1989	6	Rod-Push
30	120-3126	1	Camshaft ASM
50	110-3729	1	Ball
60	130-1534	1	Gear-Cam
70	98-9378	1	Key-Feather
80	100-1887	1	Stopper-Camshaft
90	98-9350	2	Bolt
100	121-2421	1	Idle Gear ASM
110	121-2422	1	Bushing
120	100-1970	1	Collar-Gear, Idle
130	100-1969	1	Ring-Snap
140	100-1967	1	Shaft-Gear, Idle
150	100-1774	3	Bolt-Flange
160	100-2240	1	Idle Gear ASM



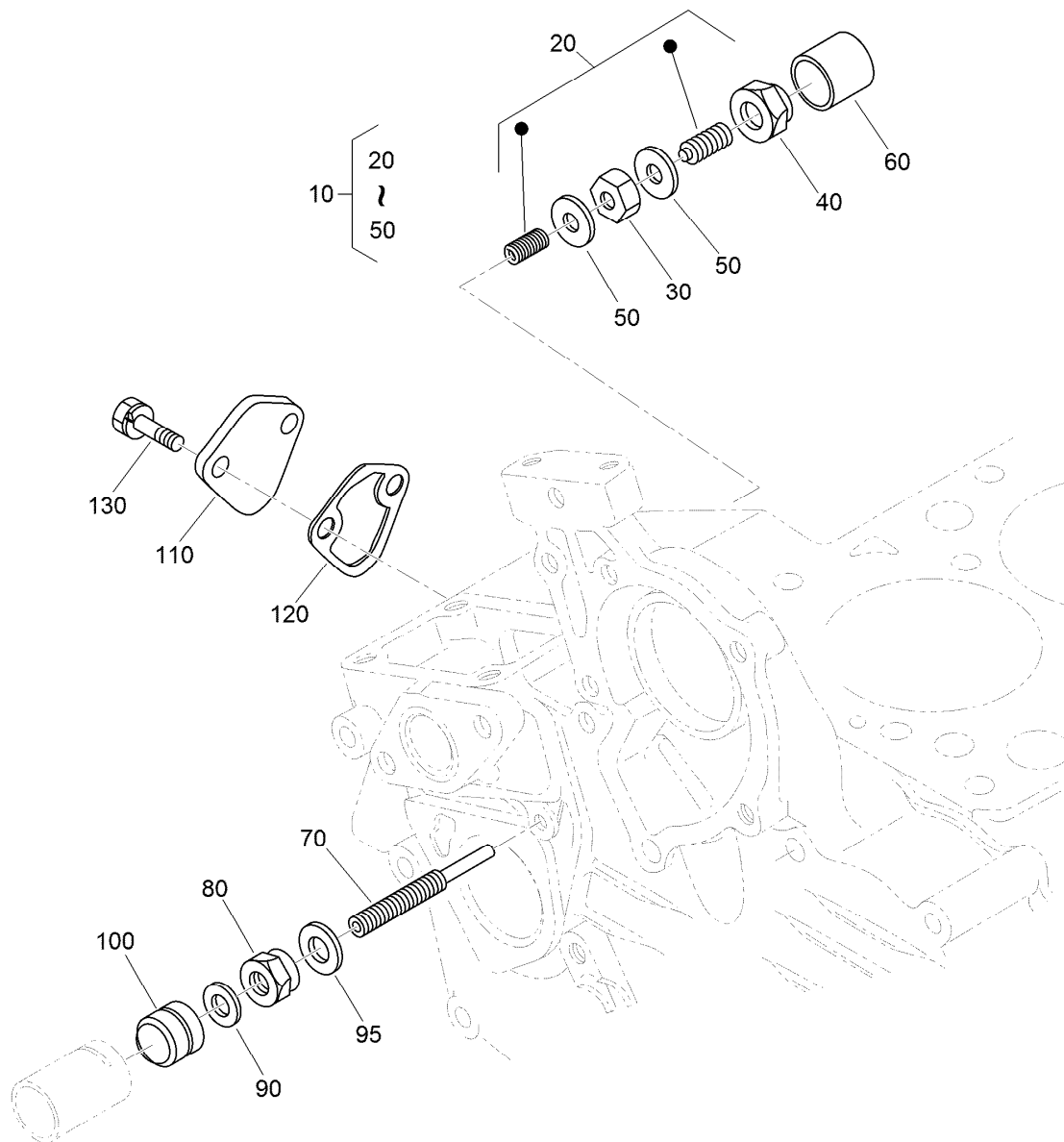
Piston and Crankshaft Assembly

Ref.	Part Number	Qty.	Description	Ref.	Part Number	Qty.	Description
10	130-1518	3	Piston	80	121-2420	3	Metal-Crankpin (-.40Mm)
10	130-1520	3	Piston	90	117-0308	1	Crankshaft
20	130-1516	3	Piston Ring ASM	100	100-1791	3	Ball
20	130-1517	3	Piston Ring ASM	120	100-1891	1	Gear-Crankshaft
30	110-3734	3	Pin-Piston	130	100-1752	1	Key-Feather
40	100-1835	6	Circlip-Internal	140	110-3738	1	Metal-Crankshaft (STD)
50	125-9070	3	Connecting Rod ASM	140	121-2424	1	Metal-Crankshaft (-.20Mm)
60	110-3736	3	Bushing-Pin, Piston	140	121-2425	1	Metal-Crankshaft (-.40Mm)
70	100-1999	6	Bolt-Rod, Connecting	150	100-1890	1	Collar-Crankshaft
80	100-2000	3	Metal-Crankpin (STD)	160	100-1974	1	Slinger-Oil
80	121-3849	3	Metal-Crankpin (-.20Mm)	170	100-2209	1	O-Ring



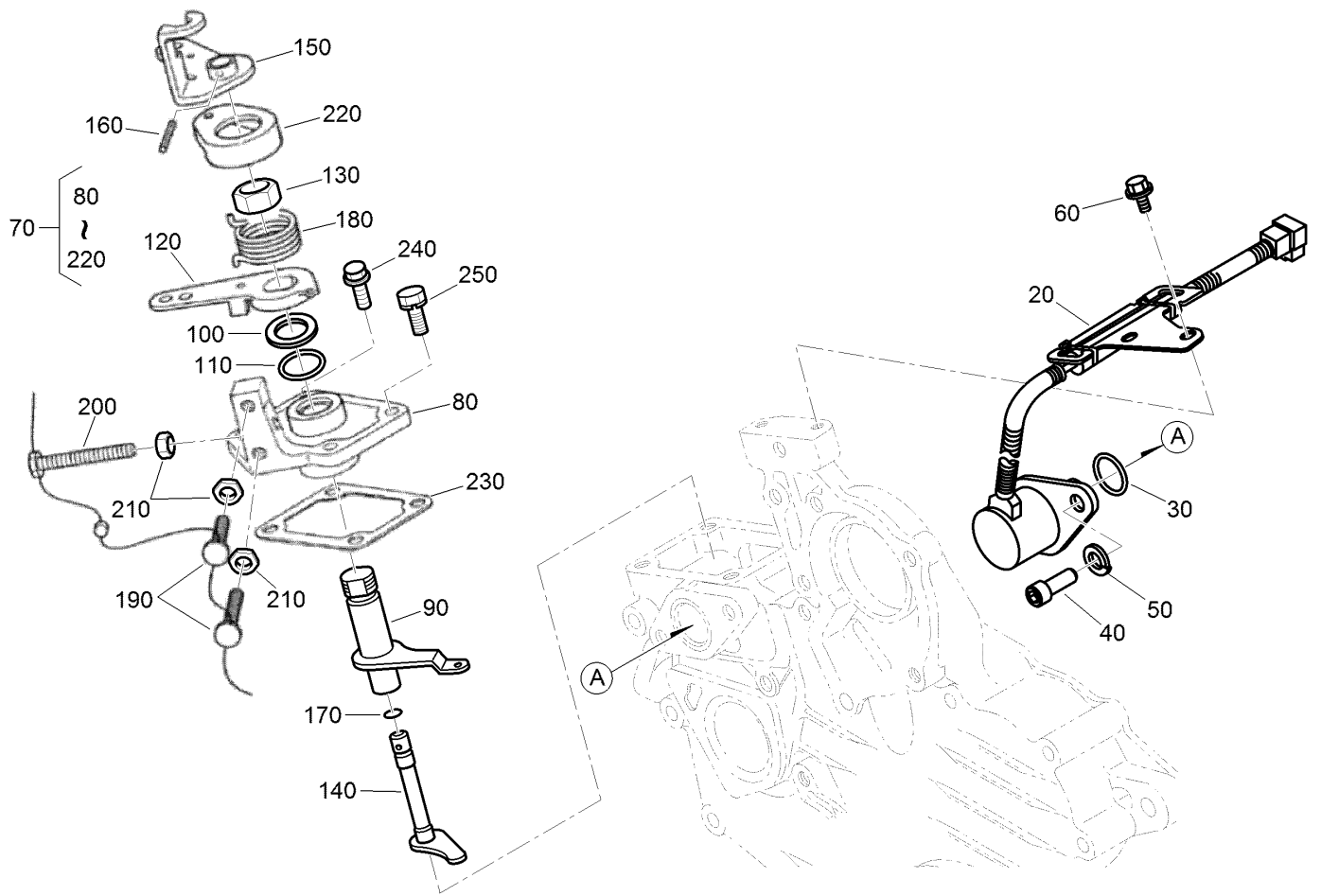
Fuel Camshaft Assembly

Ref.	Part Number	Qty.	Description
10	112-8335	1	Fuel Camshaft ASM
20	110-3756	1	Camshaft-Fuel
30	100-1795	1	Bearing-Ball
40	100-2006	1	Gear-Pump, Injection
50	100-1752	1	Key-Feather
60	112-8336	1	Sleeve-Governor
70	100-1904	1	Case-Ball, Governor
80	100-1790	32	Ball
90	100-1843	1	Circ-Clip
100	100-1793	8	Ball
110	110-3757	1	Bearing-Ball
120	100-1784	1	Circ-Clip, External
130	100-1888	1	Stopper-Fuel, Camshaft
140	98-9350	2	Bolt



Idle Apparatus and Fuel Pump Cover Assembly

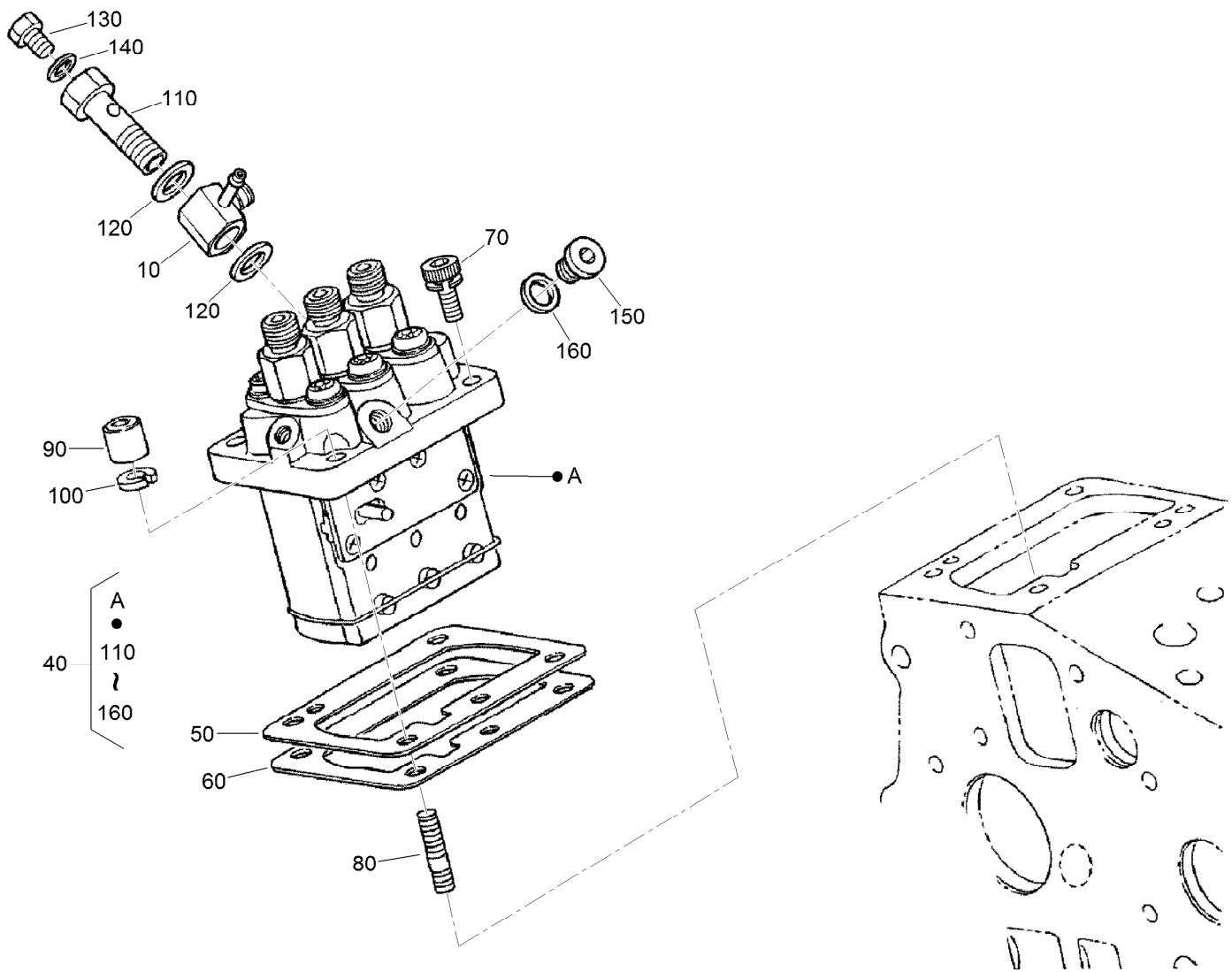
Ref.	Part Number	Qty.	Description
10	100-1898	1	Idle Apparatus ASM
20	100-1899	1	Adjusting Bolt ASM
30	100-1846	1	Nut
40	100-1901	1	Nut-Cap
50	98-7428	2	Gasket
60	100-1902	1	Cap
70	110-3758	1	Bolt-Adjusting
80	100-2175	1	Nut-Lock
90	98-7654	1	Gasket
95	107-9081	1	Gasket
100	99-8387	1	Nut-Cap
110	99-3514	1	Cover
120	98-9636	1	Gasket-Pump, Fuel
130	98-7692	2	Bolt



Stop Solenoid and Speed Control Plate Assembly

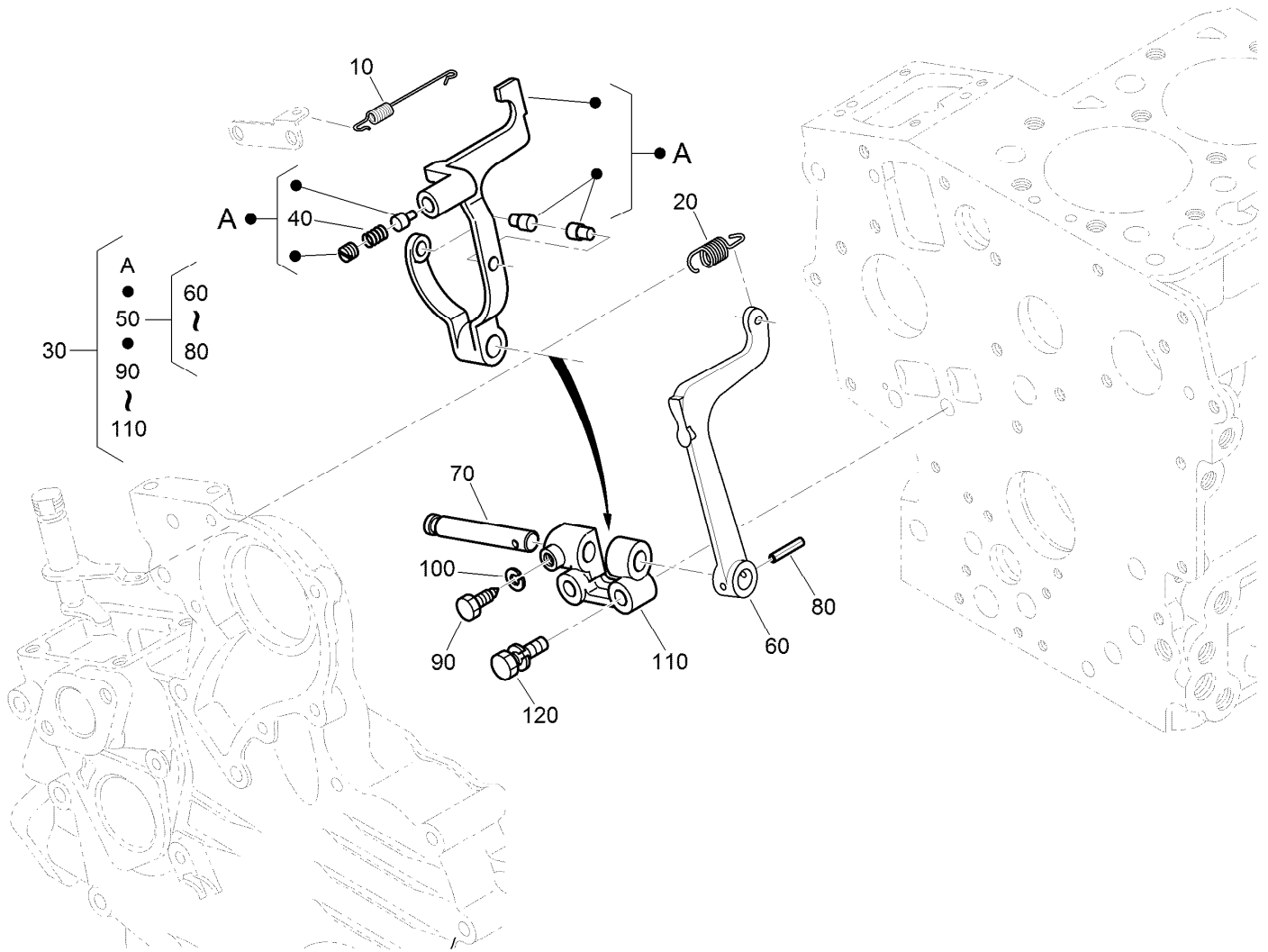
Ref.	Part Number	Qty.	Description
20	117-2719	1	Solenoid Stop ASM
30	110-3762	1	O-Ring
40	110-3763	2	Bolt-HSH
50	98-7699	2	Washer-Spring
60	100-1774	2	Bolt-Flange
70	110-3769	1	Speed Control Plate ASM
80	110-3770	1	Plate-Control, Speed
90	110-3771	1	Lever-Governor
100	110-3772	1	Collar
110	100-2208	1	O-Ring
120	110-3773	1	Lever-Control, Speed
130	110-3774	1	Nut-Control, Speed

Ref.	Part Number	Qty.	Description
140	110-3775	1	Shaft-Lever
150	110-3776	1	Lever-Stop, Engine
160	110-3777	1	Pin-Spring
170	100-2207	1	O-Ring
180	110-3778	1	Spring-Return
190	120-3133	2	Screw-Stopper
200	120-3134	1	Bolt
210	98-7572	3	Nut
220	110-3779	1	Cap
230	100-1962	1	Gasket-Plate, Control
240	127-0403	2	Bolt-Flange
250	112-2507	2	Bolt



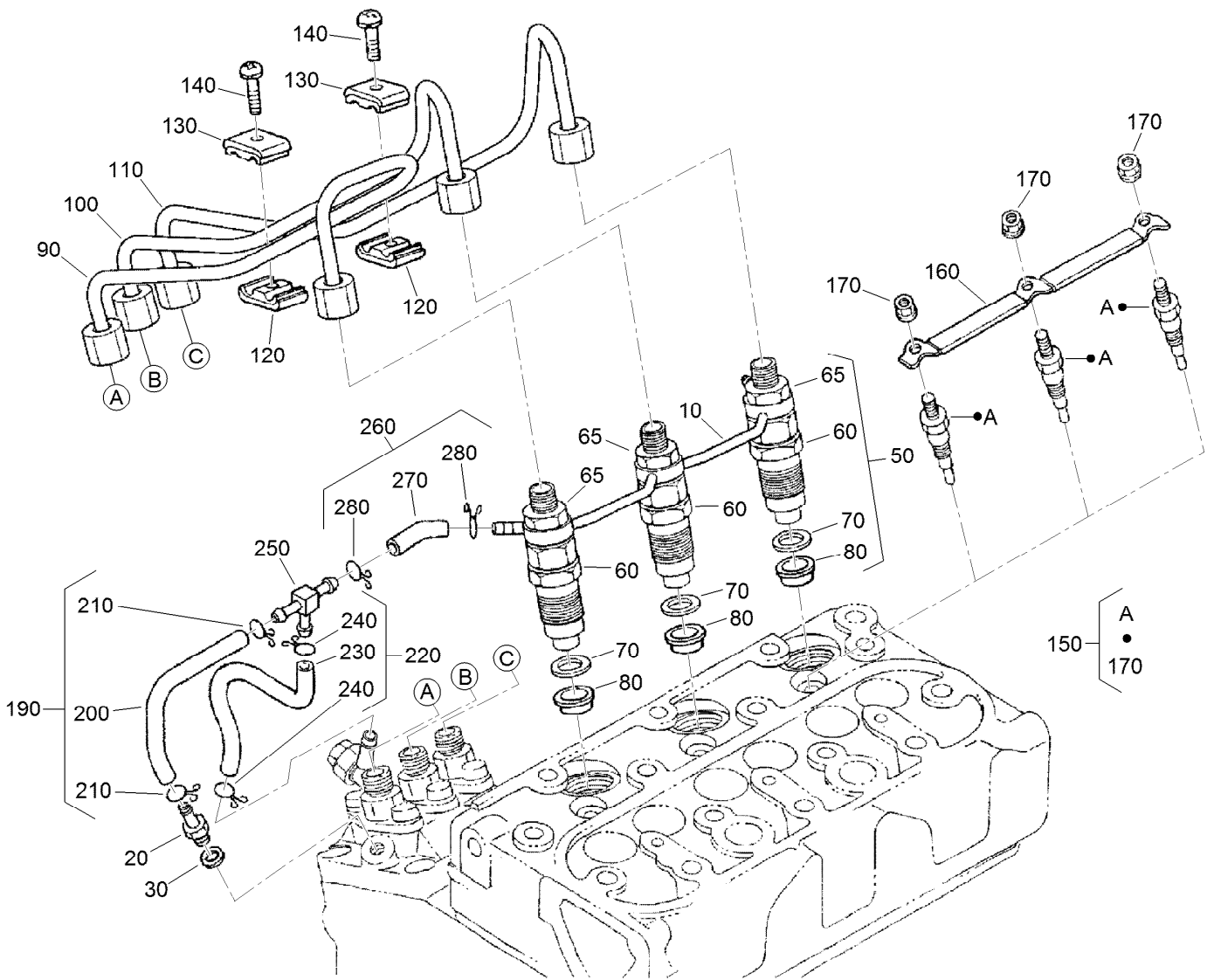
Injection Pump Assembly

<i>Ref.</i>	<i>Part Number</i>	<i>Qty.</i>	<i>Description</i>	<i>Ref.</i>	<i>Part Number</i>	<i>Qty.</i>	<i>Description</i>
10	110-3764	1	Joint	90	98-9440	2	Nut-Cap
40	110-3765	1	Injection Pump ASM	100	98-7699	2	Washer-Spring
50	115-3045	1	Shim-Injection (0.175Mm)	110	100-1896	1	Screw-Hollow
50	98-9456	1	Shim-Injection (0.20Mm)	120	98-9445	2	Gasket
50	98-9457	1	Shim-Injection (0.25Mm)	130	98-9430	1	Screw
60	98-9458	1	Shim-Injection (0.30Mm)	140	98-9446	1	Gasket
60	115-3046	1	Shim-Injection (0.35Mm)	150	98-9466	1	Plug
70	117-7564	2	Bolt-Hex Soc HD	160	98-9451	1	Gasket
80	98-9438	2	Stud				



Governor Assembly

<i>Ref.</i>	<i>Part Number</i>	<i>Qty.</i>	<i>Description</i>
10	110-3766	1	Spring-Start
20	110-3767	1	Spring-Governor
30	120-3131	1	Fork Lever ASM
40	120-3132	1	Spring
50	100-1905	1	Fork Lever ASM
60	100-1907	1	Lever-Fork
70	100-1908	1	Shaft-Lever, Fork
80	100-1751	1	Pin-Spring
90	100-1845	1	Bolt
100	100-2204	1	*obs* Washer-Spring
110	100-1909	1	Holder-Lever, Fork
120	100-1763	2	Bolt

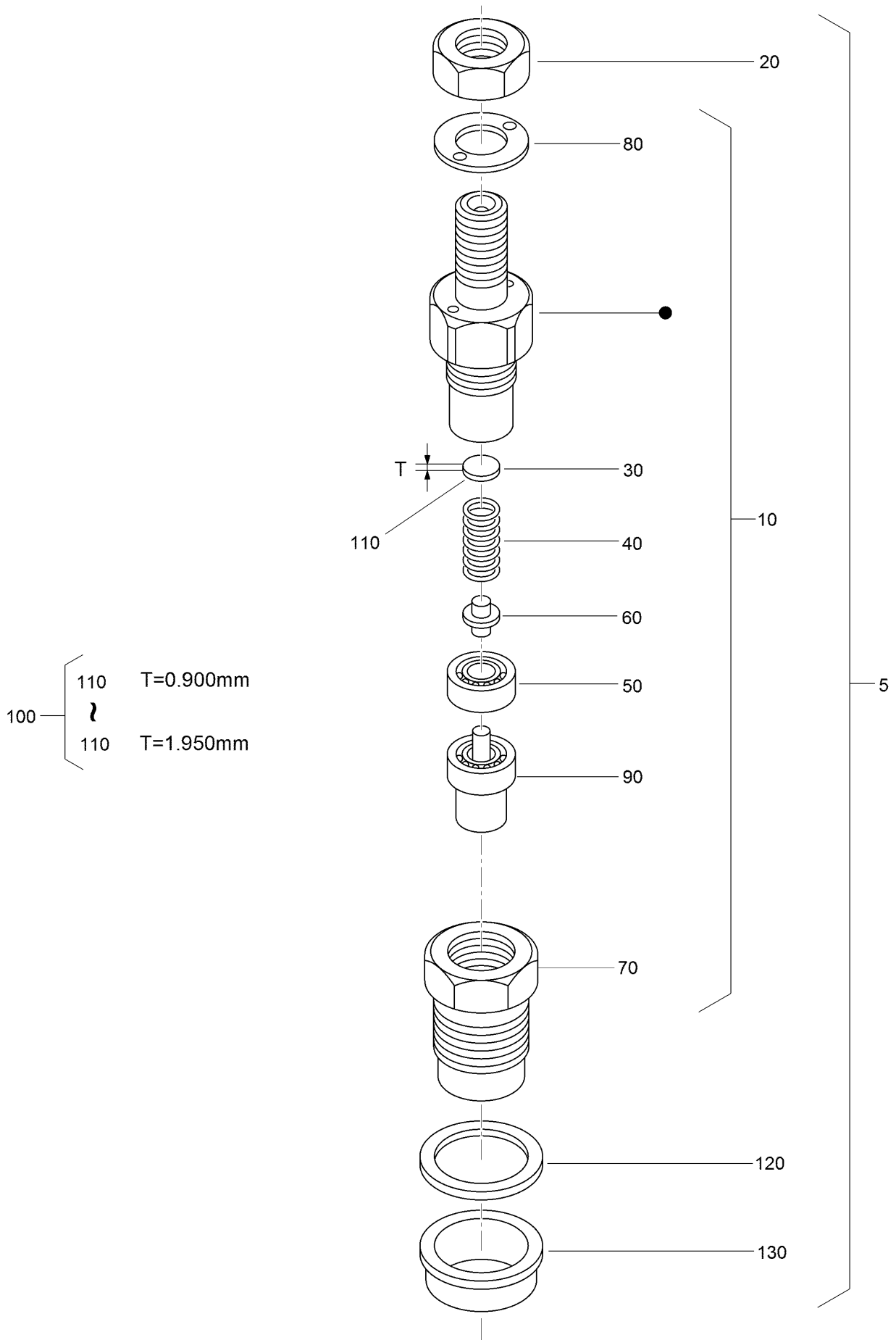


Nozzle Holder and Glow Plug Assembly

Ref.	Part Number	Qty.	Description
10	110-3780	1	Over Flow Pipe ASM
20	98-9431	1	Screw-Bleeder, Air
30	98-7654	1	Gasket
50	130-1305	3	Nozzle Holder Kit
60	130-1303	3	Nozzle Holder ASM
65	121-2411	3	Nut
70	98-7676	3	Gasket
80	98-7677	3	Seal-Heat
90	130-1522	1	Pipe-Injection
100	130-1523	1	Pipe-Injection
110	130-1541	1	Pipe-Injection
120	98-7682	2	Clamp-Pipe
130	98-7683	2	Clamp-Pipe
140	98-7684	2	Screw (W/Washer)

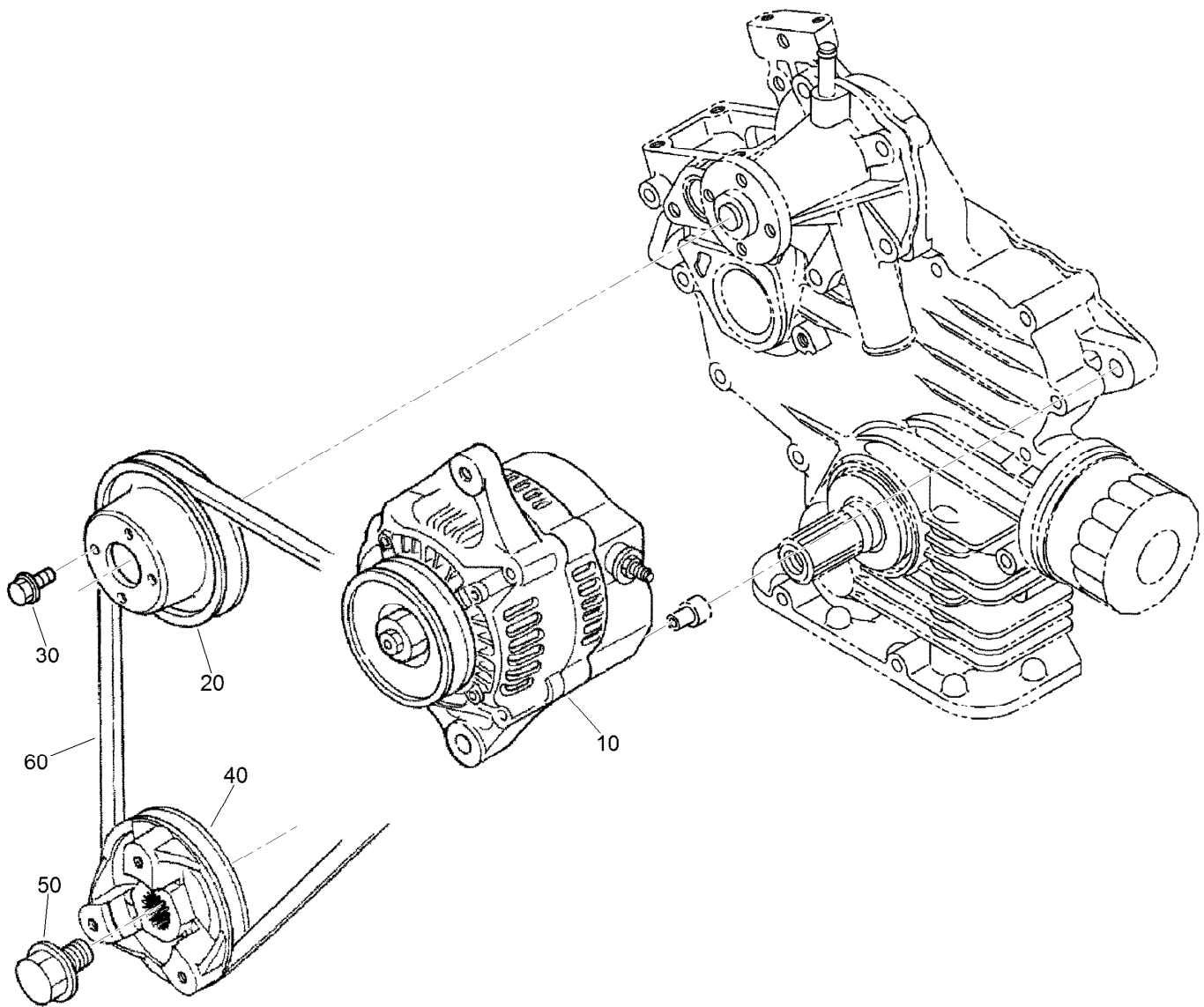
Ref.	Part Number	Qty.	Description
150	130-1411	3	Plug-Glow
160	110-3784	1	Cord-Plug, Glow
170	99-8377	3	Nut-Flange
190	110-3785	1	Fuel Tube ASM
200	110-3786	1	Tube-Fuel
210	98-7671	2	Clip-Pipe
220	110-3787	1	Fuel Tube ASM
230	110-3788	1	Tube-Fuel
240	98-7671	2	Clip-Pipe
250	112-8338	1	Pipe-Joint, T
260	110-3790	1	Fuel Tube ASM
270	110-3791	1	Tube-Fuel
280	98-7671	2	Clip-Pipe

Nozzle Holder Assembly



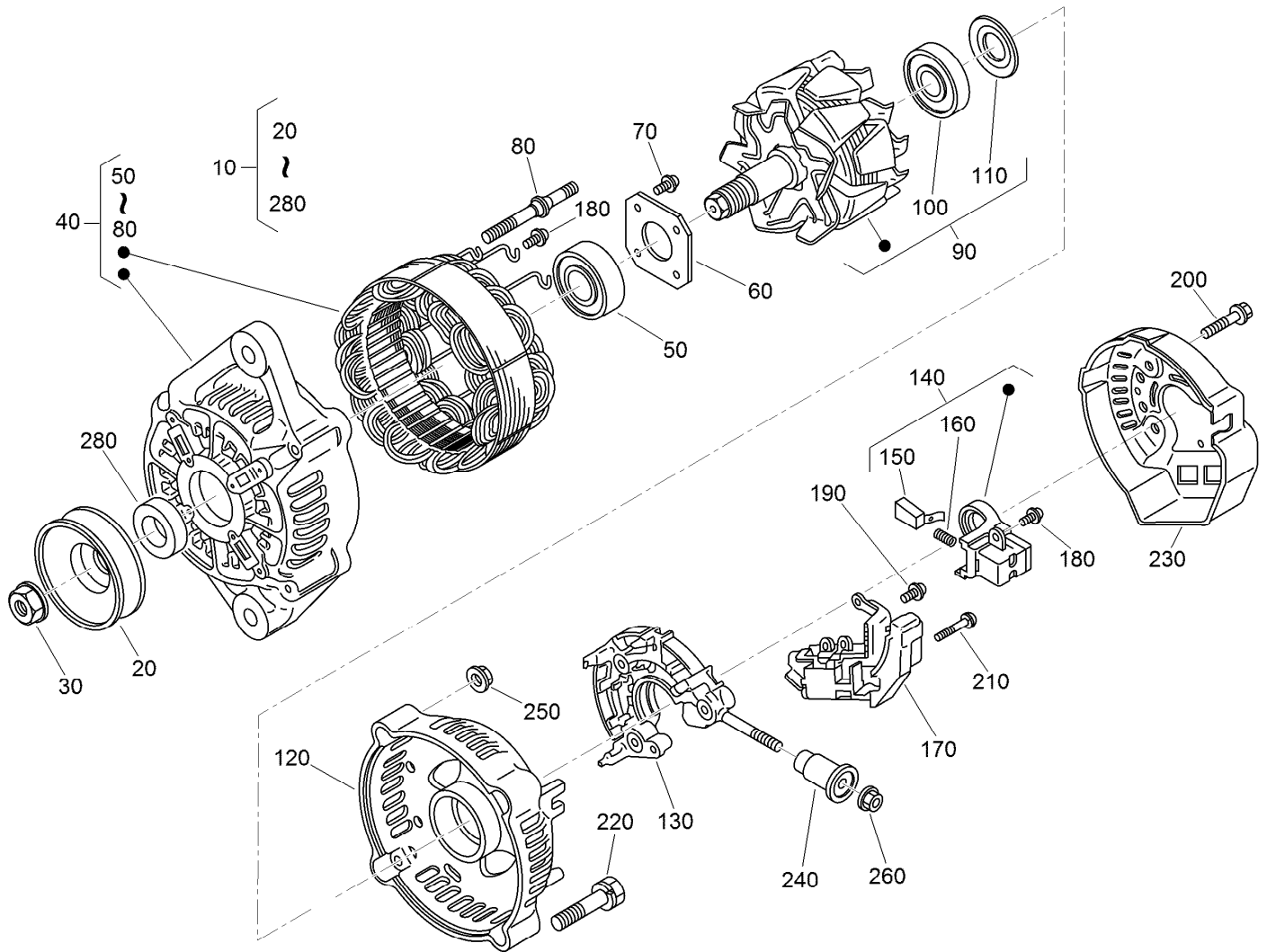
Nozzle Holder Assembly (continued)

<i>Ref.</i>	<i>Part Number</i>	<i>Qty.</i>	<i>Description</i>	<i>Ref.</i>	<i>Part Number</i>	<i>Qty.</i>	<i>Description</i>
5	130-1305	3	Nozzle Holder Kit	110	98-7860	3	Washer-Adjusting (1.400Mm)
10	130-1303	3	Nozzle Holder ASM	110	98-7861	3	Washer-Adjusting (1.425Mm)
20	121-2411	3	Nut	110	98-7862	3	Washer-Adjusting (1.450Mm)
30	99-8302	3	Washer-Adjusting	110	98-7863	3	Washer-Adjusting (1.475Mm)
40	99-8303	3	Spring-Nozzle	110	98-7864	3	Washer-Adjusting (1.500Mm)
50	99-8304	3	Spacer-Distance	110	98-7865	3	Washer-Adjusting (1.525Mm)
60	99-8305	3	Rod-Push	110	98-7866	3	Washer-Adjusting (1.550Mm)
70	130-1304	3	Nut-Nozzle	110	98-7867	3	Washer-Adjusting (1.575Mm)
80	99-8307	3	Washer-Plain	110	98-7868	3	Washer-Adjusting (1.600Mm)
90	130-1497	3	Nozzle-Piece	110	98-7869	3	Washer-Adjusting (1.625Mm)
100	98-9448	3	Adjusting Washer ASM	110	98-7870	3	Washer-Adjusting (1.650Mm)
110	98-7642	3	Washer-Adjusting (0.900Mm)	110	98-7871	3	Washer-Adjusting (1.675Mm)
110	98-7841	3	Washer-Adjusting (0.925Mm)	110	98-7872	3	Washer-Adjusting (1.700Mm)
110	98-7842	3	Washer-Adjusting (0.950Mm)	110	98-7873	3	Washer-Adjusting (1.725Mm)
110	98-7843	3	Washer-Adjusting (0.975Mm)	110	98-7874	3	Washer-Adjusting (1.750Mm)
110	98-7844	3	Washer-Adjusting (1.000Mm)	110	98-7875	3	Washer-Adjusting (1.775Mm)
110	98-7845	3	Washer-Adjusting (1.025Mm)	110	98-7876	3	Washer-Adjusting (1.800Mm)
110	98-7846	3	Washer-Adjusting (1.050Mm)	110	98-7877	3	Washer-Adjusting (1.825Mm)
110	98-7847	3	Washer-Adjusting (1.075Mm)	110	98-7878	3	Washer-Adjusting (1.850Mm)
110	98-7848	3	Washer-Adjusting (1.100Mm)	110	98-7879	3	Washer-Adjusting (1.875Mm)
110	98-7849	3	Washer-Adjusting (1.125Mm)	110	98-7880	3	Washer-Adjusting (1.900Mm)
110	98-7850	3	Washer-Adjusting (1.150Mm)	110	98-7881	3	Washer-Adjusting (1.925Mm)
110	98-7851	3	Washer-Adjusting (1.175Mm)	110	98-7882	3	Washer-Adjusting (1.950Mm)
110	98-7852	3	Washer-Adjusting (1.200Mm)	120	98-7676	3	Gasket
110	98-7853	3	Washer-Adjusting (1.225Mm)	130	98-7677	3	Seal-Heat
110	98-7854	3	Washer-Adjusting (1.250Mm)				
110	98-7855	3	Washer-Adjusting (1.275Mm)				
110	98-7856	3	Washer-Adjusting (1.300Mm)				
110	98-7857	3	Washer-Adjusting (1.325Mm)				
110	98-7858	3	Washer-Adjusting (1.350Mm)				
110	98-7859	3	Washer-Adjusting (1.375Mm)				



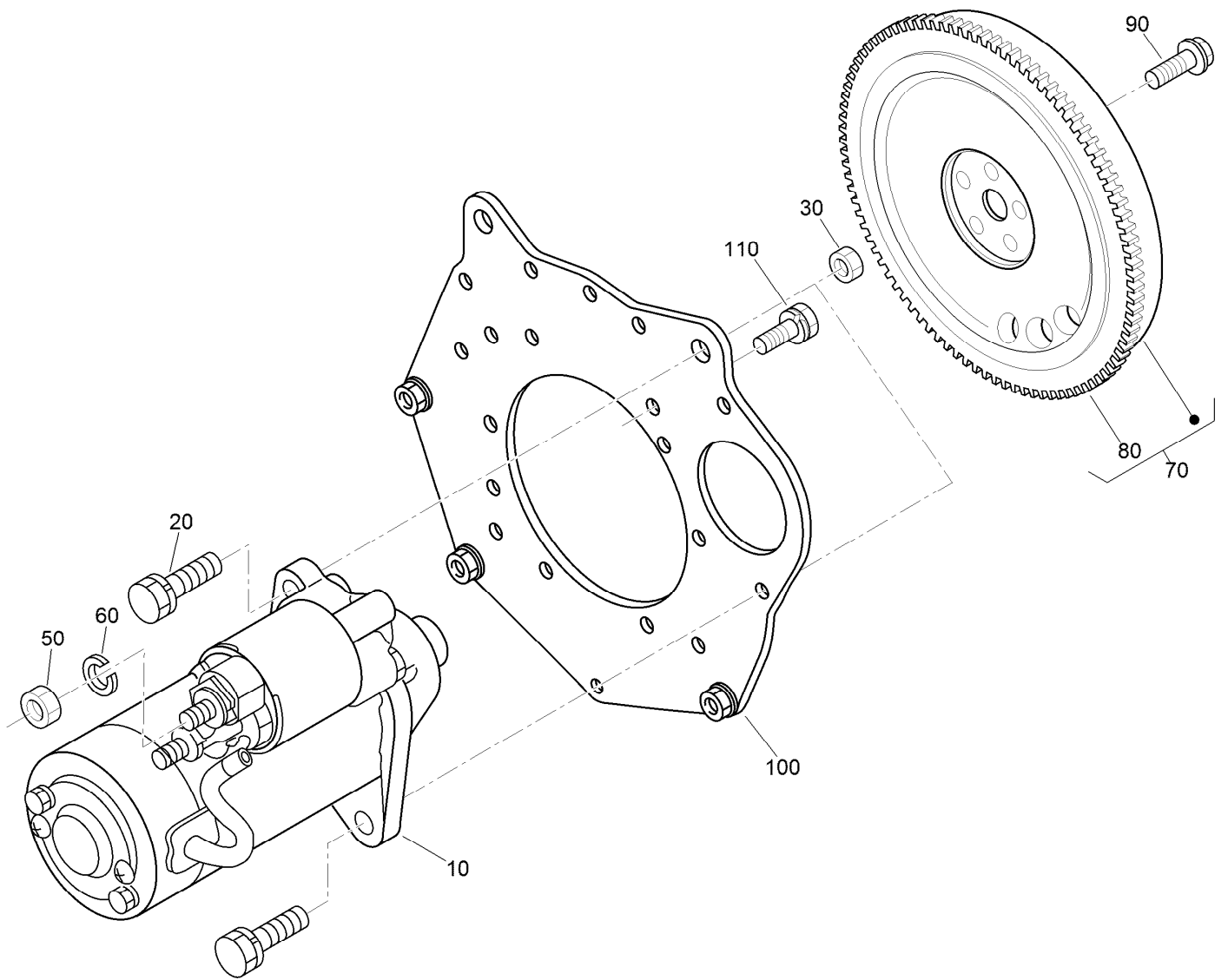
Alternator and Pulley Assembly

<i>Ref.</i>	<i>Part Number</i>	<i>Qty.</i>	<i>Description</i>
10	117-5541	1	60 Amp Alternator ASM
20	100-1921	1	Pulley-Fan
30	99-8363	4	Bolt-Flange
40	130-1487	1	*obs* Pulley-Drive, Fan
50	100-1978	1	Bolt
60	119-4486	1	Belt-V, Fan



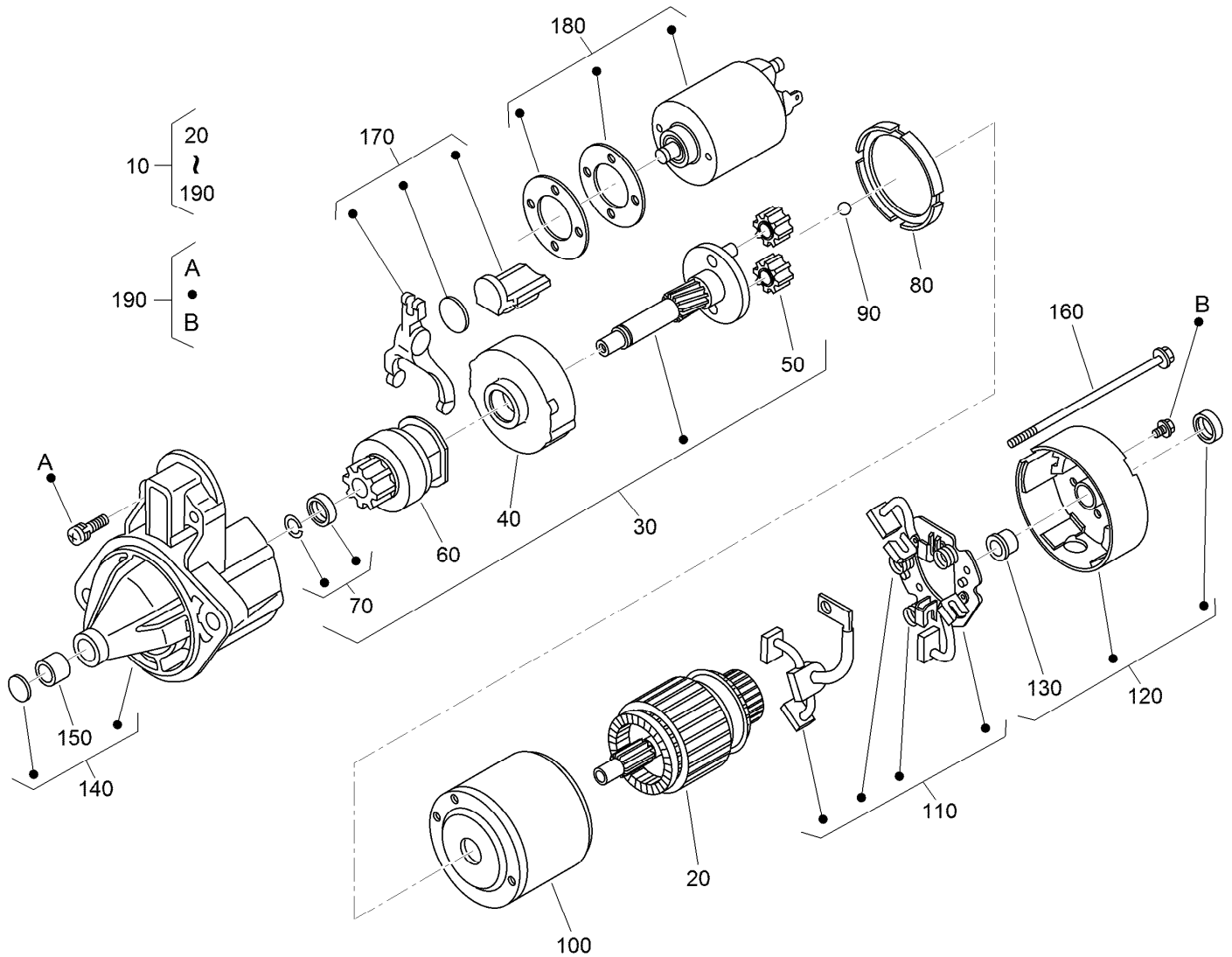
Alternator Components Assembly

<i>Ref.</i>	<i>Part Number</i>	<i>Qty.</i>	<i>Description</i>	<i>Ref.</i>	<i>Part Number</i>	<i>Qty.</i>	<i>Description</i>
10	117-5541	1	60 Amp Alternator ASM	150	98-7724	2	Brush
20	98-9453	1	Pulley-Dynamo	160	98-7725	2	Spring-Brush
30	98-7708	1	Nut	170	117-0319	1	Regulator ASM
40	117-0316	1	Drive End Frame ASM	180	98-7727	6	Screw-Head, Round
50	107-0137	1	Bearing-Ball	190	98-7728	1	Screw-Head, Round
60	98-7715	1	Plate-Retainer	200	98-7729	3	Bolt
70	98-7716	4	Screw-Head, Round	210	98-7726	2	Screw-Head, Round
80	98-7717	2	Bolt-Through	220	98-7731	2	Bolt
90	117-0317	1	Rotor ASM	230	117-0320	1	Cover-End
100	98-7711	1	Cover-Bearing	240	117-0321	1	Insulation-Brush
110	107-0138	1	Bearing-Ball	250	98-7730	2	Nut
120	117-0318	1	Frame-End	260	98-7732	1	Nut
130	117-0322	1	Holder	280	98-7709	1	Collar
140	107-0141	1	Brush Holder ASM				



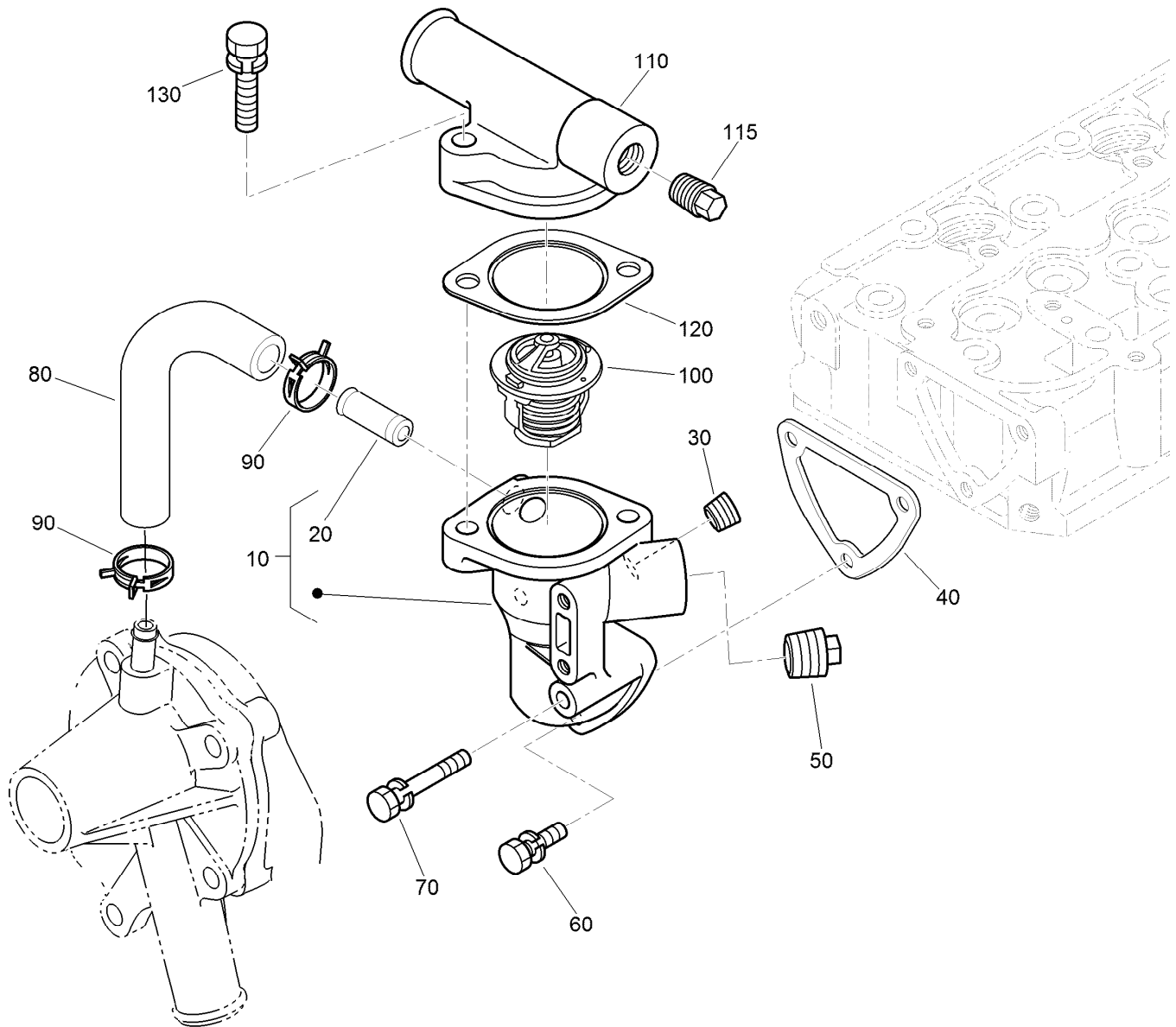
Starter and Flywheel Assembly

Ref.	Part Number	Qty.	Description
10	130-1294	1	Starter ASM
20	98-7697	2	Bolt
30	98-7534	2	Nut
50	98-7534	1	Nut
60	105-2893	1	Washer-Spring
70	130-1369	1	Flywheel ASM
80	127-1604	1	Gear-Ring
90	100-1930	5	Bolt-Flywheel
100	120-3130	1	Plate-End, Rear
110	110-3754	10	Bolt



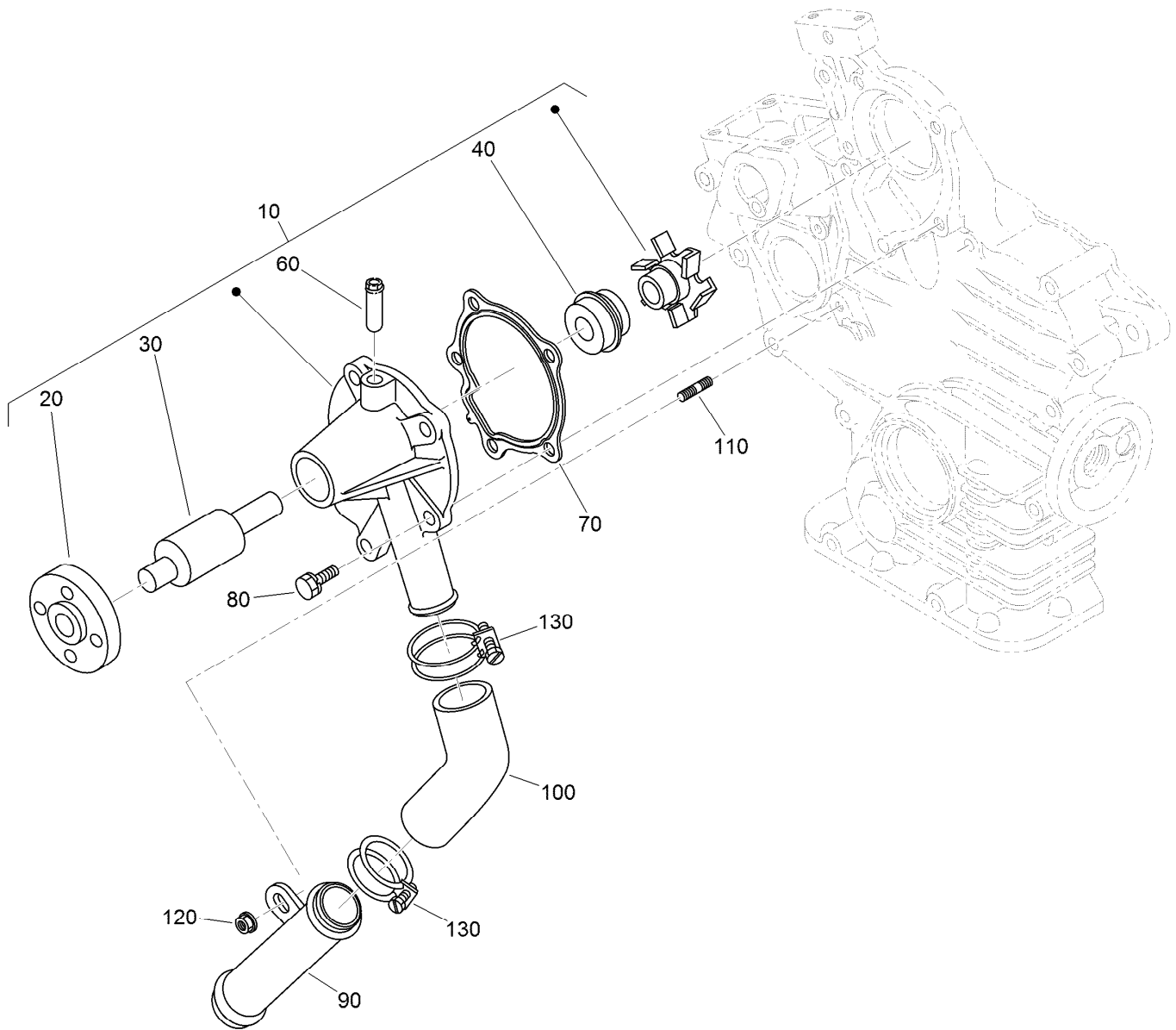
Starter Component Assembly

<i>Ref.</i>	<i>Part Number</i>	<i>Qty.</i>	<i>Description</i>	<i>Ref.</i>	<i>Part Number</i>	<i>Qty.</i>	<i>Description</i>
10	130-1294	1	Starter ASM	110	110-3810	1	Brush Holder ASM
20	110-3801	1	Armature	120	110-3811	1	Rear Bracket ASM
30	110-3802	1	Shaft ASM	130	110-3812	1	Bushing
40	120-3142	1	Gear-Internal	140	110-3813	1	Front Bracket ASM
50	110-3804	3	Gear-Planetary	150	110-3814	1	Bushing
60	110-3805	1	Clutch-Running, Over	160	110-3815	2	Bolt
70	110-3806	1	Stopper	170	110-3816	1	Fork Lever ASM
80	120-3143	1	Gasket	180	125-9099	1	Switch-Magnetic
90	110-3808	1	Ball	190	110-3818	1	Screws (Set Of 4)
100	130-1295	1	Yoke				



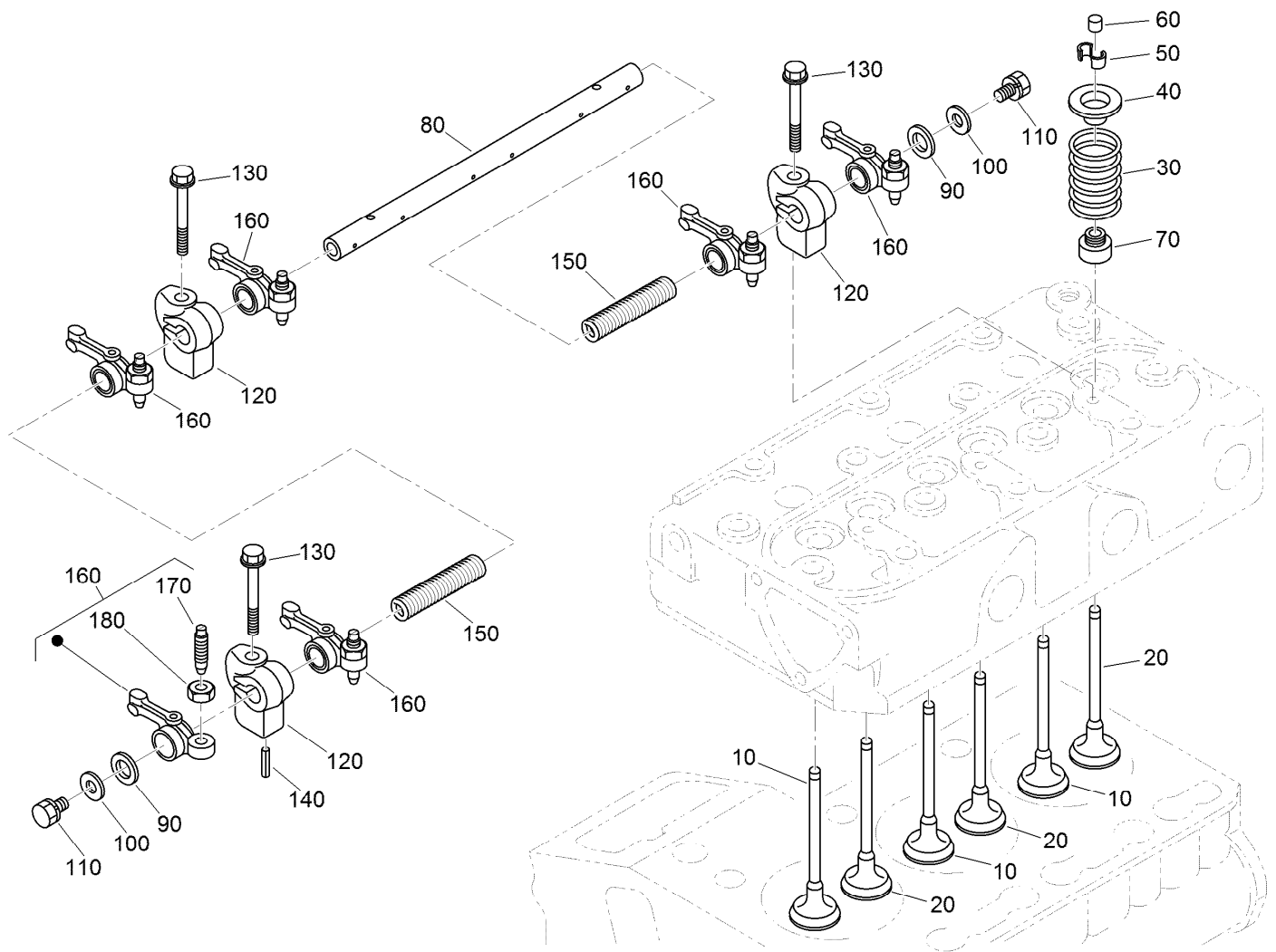
Water Flange and Thermostat Assembly

Ref.	Part Number	Qty.	Description
10	110-3819	1	Water Flange ASM
20	98-9580	1	Pipe-Return, Water
30	98-9444	1	Plug
40	110-3820	1	Gasket-Flange, Water
50	110-3821	1	Plug
60	98-7692	2	Bolt
70	125-9063	1	Bolt-Sems
80	110-3822	1	Pipe-Return, Water
90	125-9078	2	Clamp-Hose
100	98-7778	1	Thermostat ASM
110	120-7575	1	Cover-Thermostat
115	125-9079	1	Plug
120	105-3748	1	Gasket-Thermostat
130	98-7777	2	Bolt



Water Pump and Water Pipe Assembly

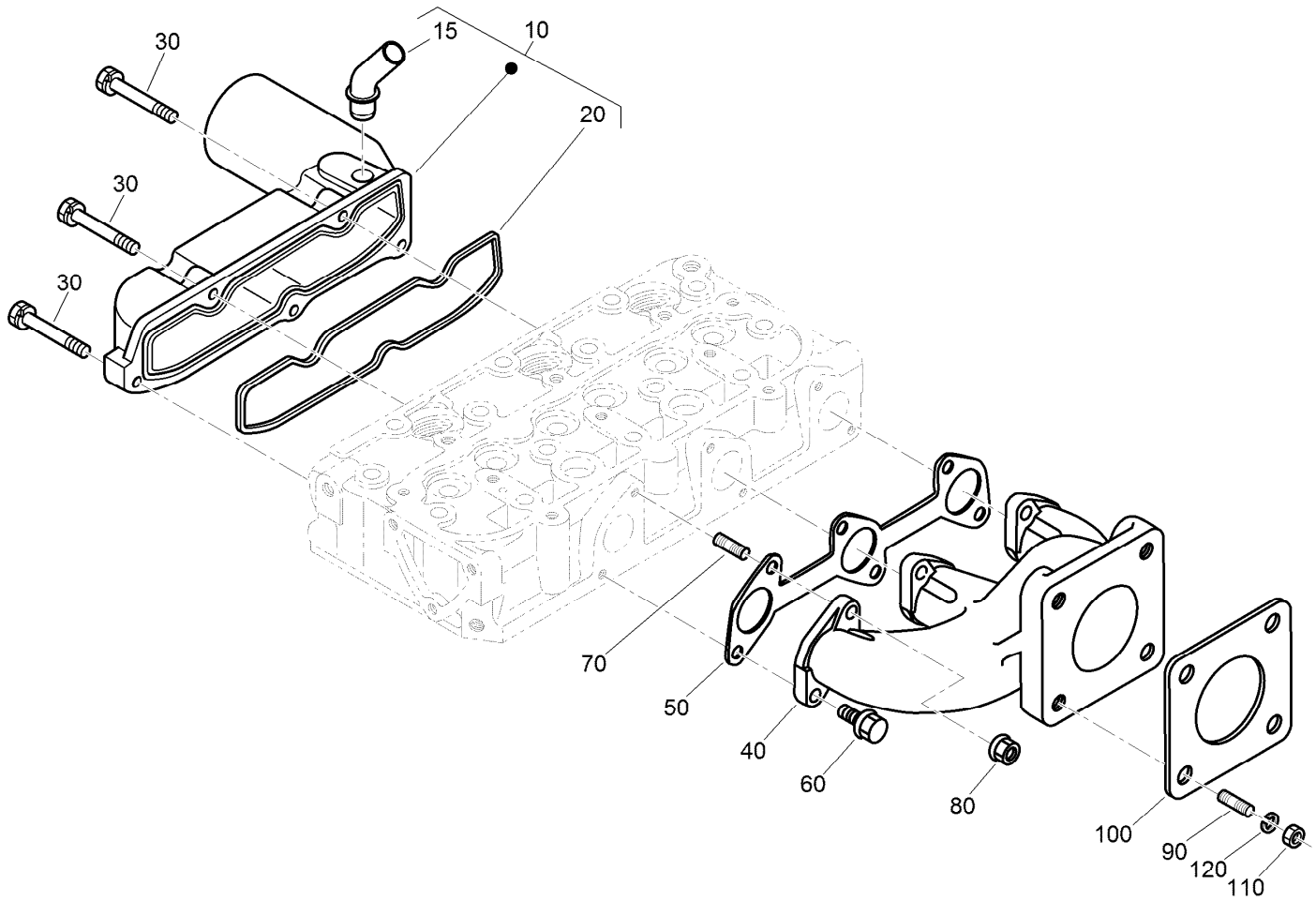
<i>Ref.</i>	<i>Part Number</i>	<i>Qty.</i>	<i>Description</i>
10	110-3824	1	Water Pump ASM
20	125-9081	1	Flange-Pump, Water
30	100-1934	1	Bearing-Ball
40	99-3518	1	Water Pump Seal ASM
60	100-1932	1	Pipe-Return, Water
70	117-0330	1	Gasket-Pump, Water
80	100-1750	4	Bolt
90	100-1918	1	Pipe-Water
100	110-3827	1	Pipe-Water
110	100-1924	1	Stud
120	100-2203	1	Nut-Flange
130	110-3828	2	Band-Pipe



Valve and Rocker Arm Assembly

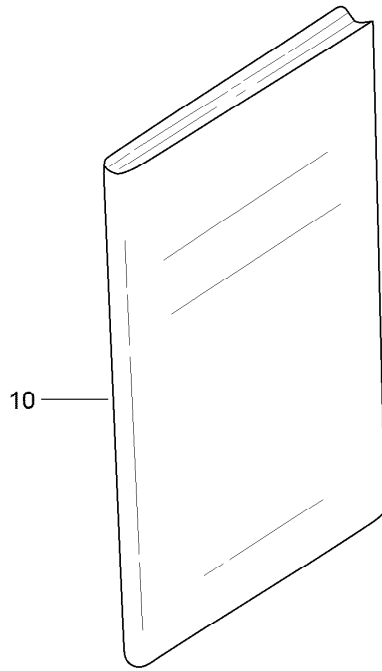
Ref.	Part Number	Qty.	Description
10	112-2514	3	Valve-Inlet
20	112-2515	3	Valve-Exhaust
30	100-1823	6	Spring-Valve
40	100-1825	6	Retainer-Spring, Valve
50	120-3136	6	Collet-Spring, Valve
60	100-2155	6	Cap-Valve
70	100-1797	6	Seal-Stem, Valve
80	112-8341	1	Shaft-Arm, Rocker
90	100-2044	2	Washer

Ref.	Part Number	Qty.	Description
100	110-3832	2	Washer-Plain
110	100-1762	2	Bolt
120	110-3833	3	Bracket-Arm, Rocker
130	110-3834	3	Bolt-Flange
140	98-7602	1	Pin-Spring
150	112-8342	2	Spring
160	100-1884	6	Rocker Arm ASM
170	100-1885	6	Screw-Adjusting
180	100-1827	6	Nut



Inlet and Exhaust Manifold Assembly

<i>Ref.</i>	<i>Part Number</i>	<i>Qty.</i>	<i>Description</i>
10	120-3141	1	Intake Manifold ASM
15	121-2417	1	Pipe-Breather
20	110-3838	1	Gasket-Manifold, Intake
30	98-9352	5	Bolt
40	110-3839	1	Manifold-Exhaust
50	110-3840	1	Gasket-Manifold, Exhaust
60	130-1514	3	*obs* Bolt-Ubs
70	130-1156	3	Bolt-Stud
80	100-1778	3	Nut
90	98-7769	4	Stud
100	99-8343	1	Gasket-Muffler
110	98-7534	4	Nut
120	105-2893	4	Washer-Spring



Miscellaneous Engine Parts

<i>Ref.</i>	<i>Part Number</i>	<i>Qty.</i>	<i>Description</i>
10	130-1513	1	Manual-Operator

Attachments and Accessories

For 04540 Greensmaster 3420 TriFlex Traction Unit

Product Name	Model/Part
Turf Evaluator	04399
CE Guard Kit, Greensmaster 3420 TriFlex Traction Unit.....	04443
Light Kit.....	04554
8-Blade DPA Reel Mower	04613
11-Blade DPA Reel Mower	04614
14-Blade DPA Reel Mower	04615
Three-Wheel Drive Kit	04714
Standard Seat Kit.....	04718
Premium Seat Kit.....	04719
Dethatching Unit	04720
Tri-Roller	04722
Spiker	04723
Hydraulic Oil Leak Detector Kit	04730
Premium All Season Hydraulic Fluid (55 Gallon Drum)	108-1177
Premium All Season Hydraulic Fluid (5 Gallon Pail).....	108-1178
Bimini Folding Shade Assembly	115-4510
Bag Kit.....	119-1715
Premium Synthetic Bio-Degradable Hydraulic Fluid (5 Gallon Pail)	119-2157
Premium Synthetic Bio-Degradable Hydraulic Fluid (55 Gallon Drum).....	119-2158
Premium Armrest Kit.....	119-7105
Spark Arrester Kit	120-1951
Premium Engine Oil 10w30 (55 Gal).....	121-6392
Premium Engine Oil 10w30 (5 Gallon Pail)	121-6393
Weight Kit	121-6665
400-hour Filter Maintenance Kit.....	30043
LH Armrest Asm	92-7307
Height-of-Cut Bar.....	94-9010
Tire-TURFMATE	99-4506

Notes:

Notes:



Count on it.