



Count on it.

Parts Catalog

TimeCutter® SW 4200

Riding Mower

Model No. 74675—Serial No. 40000000 and Up



Ordering Replacement Parts

To order replacement parts, please supply the part number, the quantity, and the description of each part desired.

Understanding Reference Numbers

Each identified part in an illustration has a reference number. The reference number for a part also appears in the parts list, along with other information about the part.

This catalog uses two special reference number formats, one to indicate parts in a service assembly and another to indicate the quantity of a given part in an illustration.

Service Assembly Reference Numbers

Parts in service assemblies have reference numbers in the form a:b. The a represents the reference number of the entire service assembly and the b represents a sequential number unique to each part within the service assembly.

For example, a wheel assembly might be identified by reference number 6, the tire by 6:1, the valve by 6:2, and the wheel by 6:3. When you order the assembly identified by reference number 6, you receive all parts identified by reference numbers 6:1, 6:2, and 6:3. However, you may also order any part individually. Reference numbers of this type appear in illustration and in parts lists.

Reference Numbers Indicating Quantity

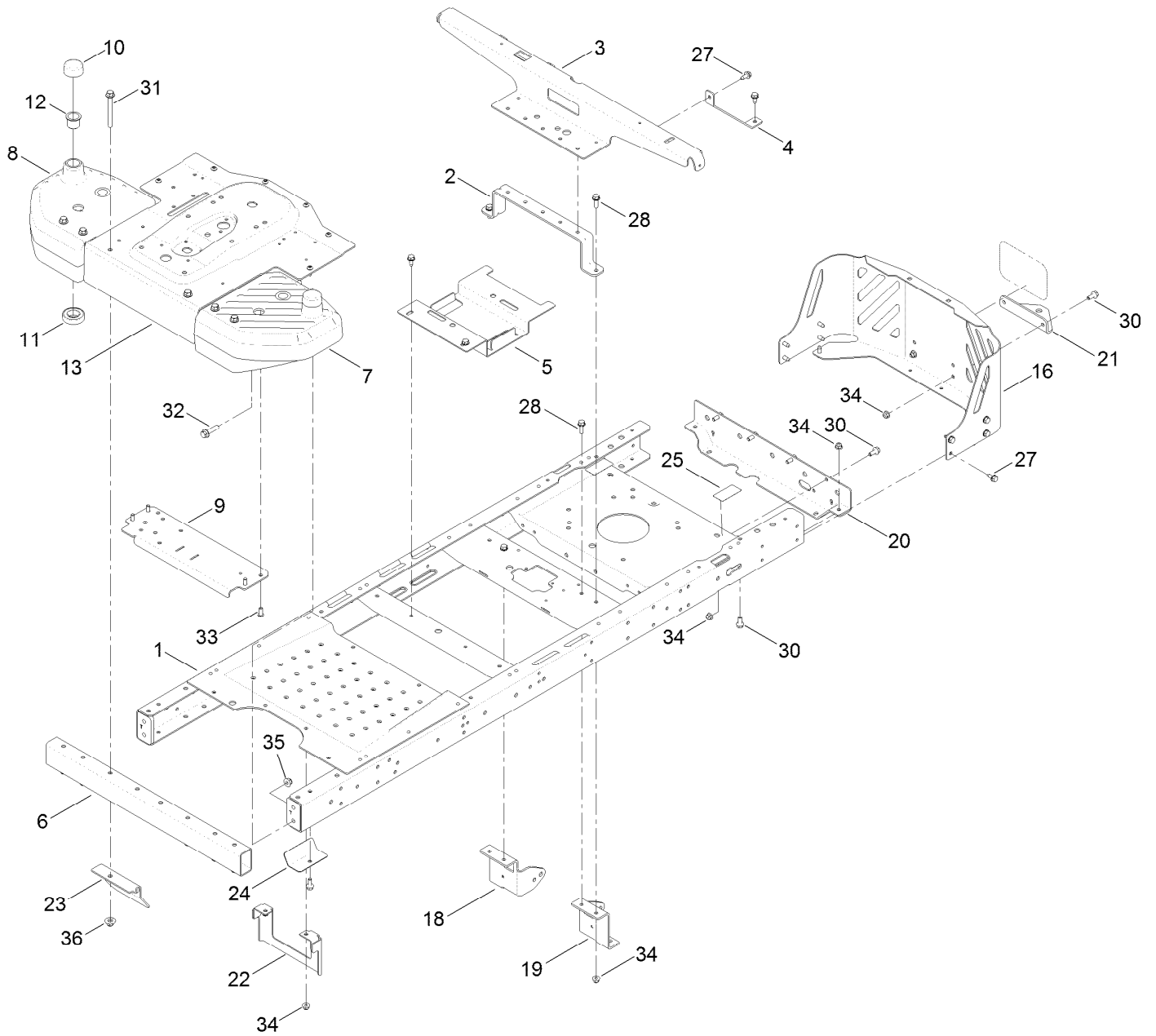
In an illustration, if a reference number indicates more than one part, the reference number has the form nX y. The n represents the quantity of the part, the X is the multiplication symbol, and the y represents the reference number.

For example, in an illustration, the reference number 2X 37 means that two of the parts identified by reference number 37 are indicated.

Contents

Frame Assembly	4
Deck Lift Assembly	6
Caster Wheel Assembly	8
Traction Drive Assembly	10
Left Hand Hydro Transaxle Assembly No. 119-3330	12
Right Hand Hydro Transaxle Assembly No. 119-3331	14
Brake Assembly	16
Tire Assembly No. 131-3671	18
Seat Assembly	20
Motion Control Assembly	22
Engine and Muffler Assembly	24
Fuel System Assembly	26
Carburetor Assembly	28
Air Intake and Filtration Assembly	30
Ignition and Electrical Assembly	32
Crankcase and Crankshaft Assembly	34
Governor Control Assembly	36
Piston and Cylinder Head Assembly	38
Blower Housing Assembly	40
Gasket and Seal Kit Assembly	42
Body Styling and Fuel Tank Assembly	44
Battery and Electrical Assembly	46
42 Inch Deck, Belt and Blade Assembly	48
42 Inch Deck Decal Assembly No. 131-3604	50
Model Specific Decal Assembly	52
Steering Column Assembly	54
Steering Gear and Cable Assembly	56
HOC and Service Decal Assembly	58
Clutch Assembly	60
Attachments and Accessories	62

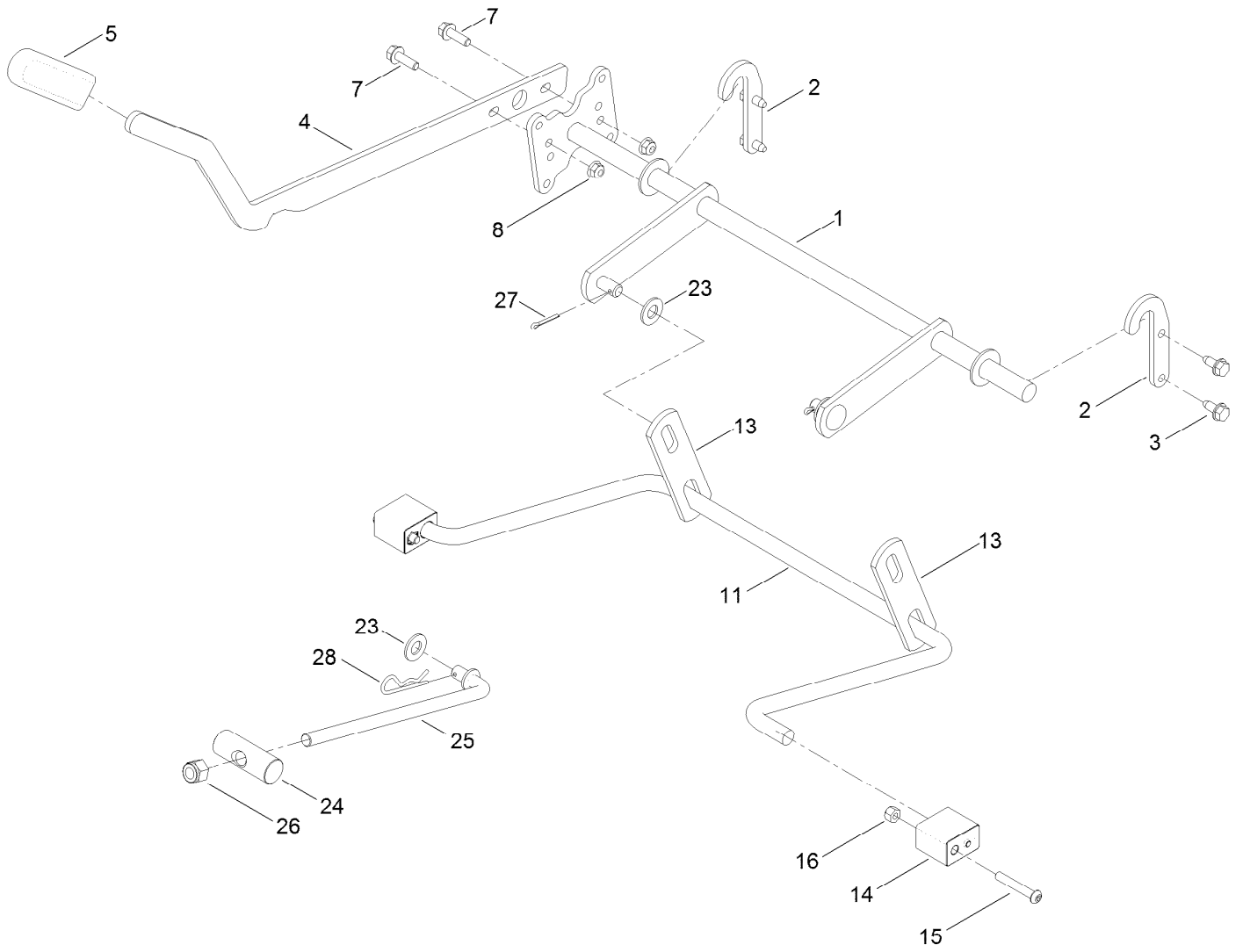
Frame Assembly



Frame Assembly (continued)

<i>Ref.</i>	<i>Part Number</i>	<i>Qty.</i>	<i>Description</i>	<i>Ref.</i>	<i>Part Number</i>	<i>Qty.</i>	<i>Description</i>
1	130-0804-01	1	Frame ASM	20	130-6950-01	1	Crossmember-Rear, Narrow
2	119-3435-03	1	Brace-Seat, Rear (Narrow)	21	117-1232-03	1	Bracket-Hitch
3	131-1040-03	1	Support-Pod	22	132-0941-03	1	Bracket-Upstop
4	119-3431-03	2	Support-Tank, Rear	23	132-0868-03	1	Guard-Front
5	131-0914-03	1	Bracket-Battery	24	132-0901-03	1	Plate-Guard
6	130-6902-03	1	Tube-Front, Narrow	25	121-2989	2	Decal-Bypass
7	130-0748-05	1	Housing-Spindle, LH	27	32144-70	16	Screw-HWHTF
8	130-0746-05	1	Housing-Spindle, RH	28	3234-29	4	Screw-HHF
9	130-6983-03	1	Plate-Bridge, Narrow	30	3234-47	9	Screw-HHF
10	130-7015	2	Cap-Caster	31	115-7660	6	Screw-HHF
11	109-3678	2	Bearing-Ball	32	114-4681	4	Screw-HHF
12	126-1963	2	Bushing-Pivot	33	3274-55	10	Screw-HSBH
13	132-9345-05	1	Pan-Steer, Front	34	104-8300	19	Nut-Flange, NI
16	127-3353-03	1	Guard-Engine, Narrow	35	104-8301	4	Nut-Hex Flg
18	131-0901-01	1	Mount-Hydro, Front (RH)	36	109-6658	6	Nut-Flange, NI
19	131-0902-01	1	Mount-Hydro, Front (LH)				

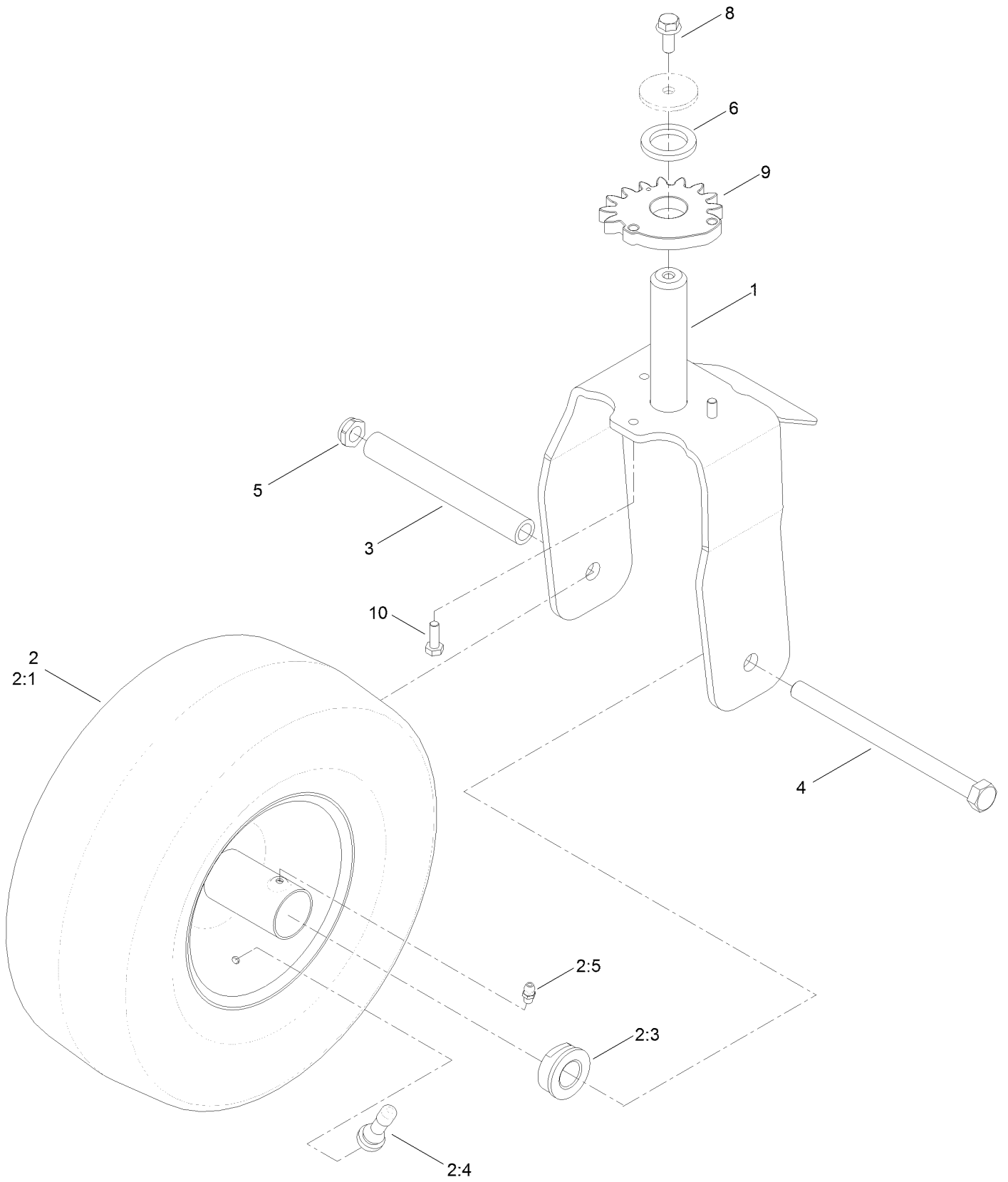
Deck Lift Assembly



Deck Lift Assembly (continued)

<i>Ref.</i>	<i>Part Number</i>	<i>Qty.</i>	<i>Description</i>	<i>Ref.</i>	<i>Part Number</i>	<i>Qty.</i>	<i>Description</i>
1	132-6872-03	1	Lift-Deck, Narrow	14	108-7845	2	Block-Pivot
2	119-8875	2	Bracket-Lift	15	120-5499	2	Screw-HSBH
3	32144-70	4	Screw-HWHTF	16	3296-29	2	Nut-Lock, NI
4	119-3427-03	1	Lever-Lift	23	3256-26	3	Washer-Flat
5	1-633268	1	Grip-Lever	24	119-8810	1	Pin-Pivot
7	3234-29	2	Screw-HHF	25	133-4319	1	Rod-Mount, Deck
8	104-8300	2	Nut-Flange, NI	26	3296-19	1	Nut-Hex
11	108-7839	1	Arm-Lift, Rear	27	3272-11	2	Pin-Cotter
13	108-7840	2	Link-Lift	28	1-806005	1	Pin-Cotter

Caster Wheel Assembly

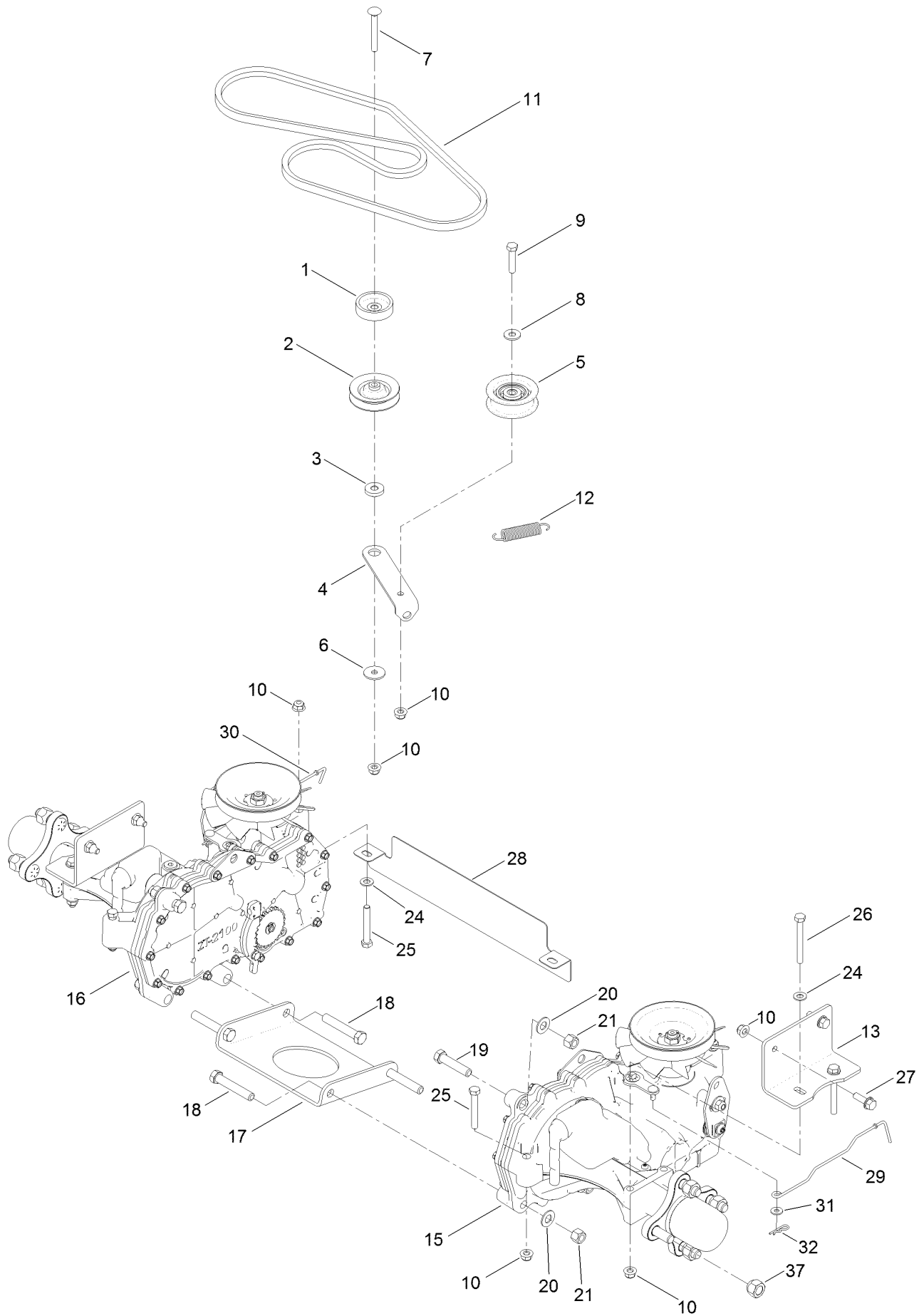


Caster Wheel Assembly (continued)

<i>Ref.</i>	<i>Part Number</i>	<i>Qty.</i>	<i>Description</i>	<i>Ref.</i>	<i>Part Number</i>	<i>Qty.</i>	<i>Description</i>
1	130-0670-03	2	Caster Fork ASM	3	119-3475	2	Spanner
2	119-3473	2	13 Inch Wheel And Tire ASM	4	325-37	2	Screw-HH
2:1	119-3471	1	Tire-13 Inch	5	3296-45	2	Nut-Lock, NI
2:3	114-1640	2	Bushing-Flange	6	117-7394	2	Washer-Thrust
2:4	232-27	1	Stem-Valve	8	3234-47	2	Screw-HHF
2:5	302-5	1	Fitting-Grease	9	130-0689	2	Gear-Wheel, 15 Teeth
2:99	232-46	1	Tube-Inner ●	10	321-4	4	Screw-HH

● Not illustrated

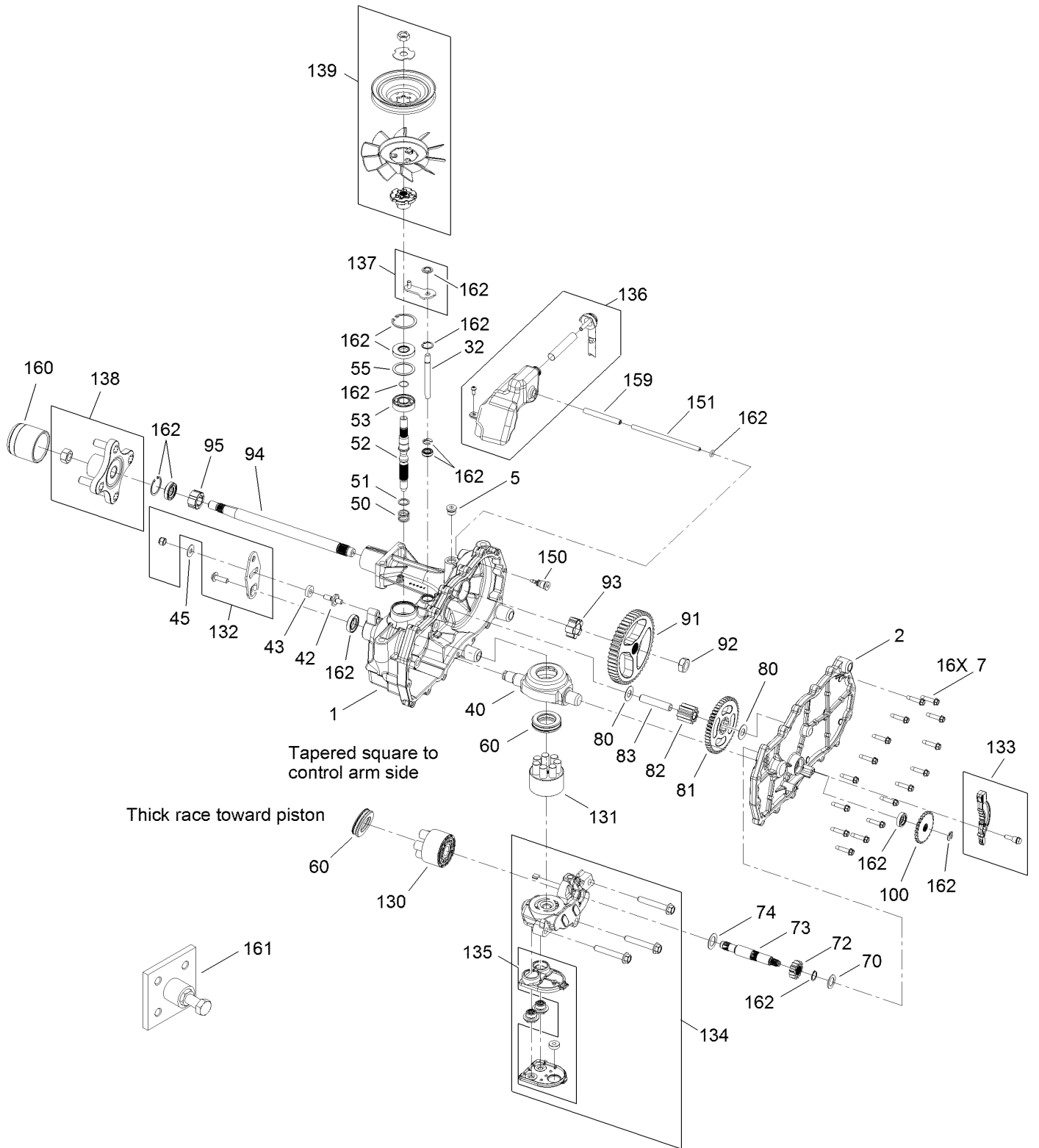
Traction Drive Assembly



Traction Drive Assembly (continued)

<i>Ref.</i>	<i>Part Number</i>	<i>Qty.</i>	<i>Description</i>	<i>Ref.</i>	<i>Part Number</i>	<i>Qty.</i>	<i>Description</i>
1	119-3353	1	Spacer	17	119-3339-03	1	Plate-Cross, Hydro
2	119-8822	1	Pulley-Idler	18	324-10	4	Screw-HH
3	119-3327	1	Spacer-Arm, Idler	19	324-8	2	Screw-HH
4	119-3326	1	Arm-Idler	20	3256-25	6	Washer-Flat
5	106-2176	1	Pulley-Idler	21	3296-48	6	Nut-Lock, NI
6	5-4460	1	Washer-Pivot	24	3256-23	6	Washer-Flat
7	3230-8	1	Screw-CARR	25	322-11	4	Screw-HH
8	3256-3	1	Washer-Flat	26	322-13	4	Screw-HH
9	322-7	1	Screw-HH	27	3234-29	4	Screw-HHF
10	104-8300	14	Nut-Flange, NI	28	131-3668-03	1	Guard Rear, Narrow
11	130-6975	1	V-Belt	29	131-0900	1	Rod-Bypass, LH
12	104-6415	1	Spring-Return, Pedal	30	130-7049	1	Rod-Bypass, RH
13	117-7264-03	2	Mount-Hydro	31	119-8952	2	Washer
15	119-3330	1	LH Hydro Transaxle ASM	32	3290-307	2	Pin-Cotter
16	119-3331	1	RH Hydro Transaxle ASM	37	242-50	8	Nut-Lug

Left Hand Hydro Transaxle Assembly No. 119-3330

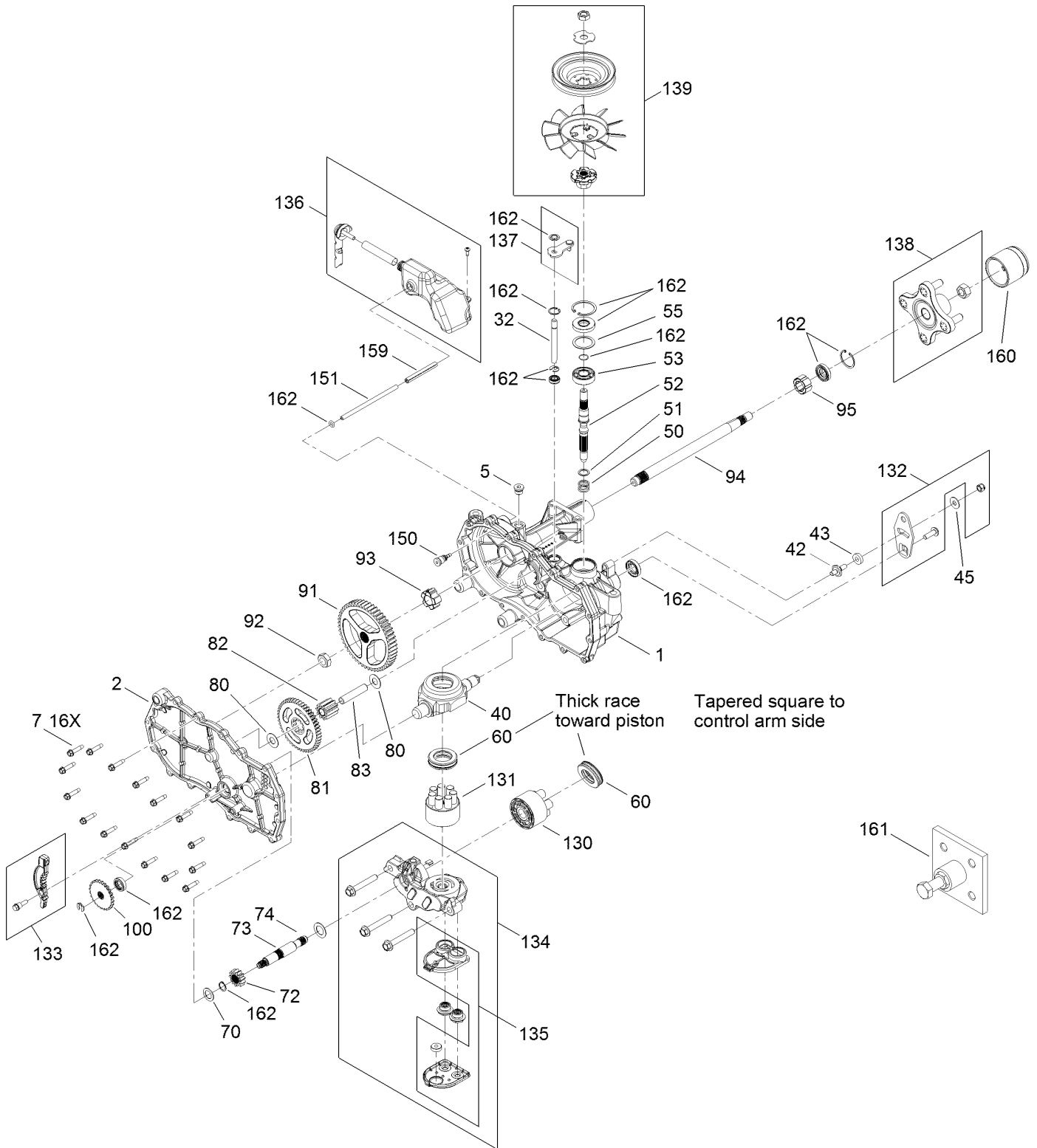


Left Hand Hydro Transaxle Assembly No. 119-3330 (continued)

<i>Ref.</i>	<i>Part Number</i>	<i>Qty.</i>	<i>Description</i>	<i>Ref.</i>	<i>Part Number</i>	<i>Qty.</i>	<i>Description</i>
1	120-5532	1	Main Housing ASM	83	104-5329	1	Pin-Jackshaft
2	120-5534	1	Housing Side Kit	91	120-5539	1	Gear-Bull
5	104-2189	1	Plug-Thread, Straight	92	104-2142	1	Nut-HJ
7	117-5359	16	Screw-HHF	93	115-8314	1	Bushing-Inboard
13	104-2147	1	Sealant ●	94	120-5540	1	Shaft-Axle
32	106-8678	2	Rod-Bypass	95	120-5541	1	Bearing-Sleeve
40	104-5304	1	Swashplate-Trunnion	100	106-8694	1	Disc-Brake, Cog
42	104-2116	1	Stud	130	103-2666	1	Cylinder Block Kit
43	112-9853	1	Puck-Friction	131	110-8561	1	Pump Block ASM
45	114-8491	1	Washer	132	117-5362	1	Control Arm Kit
50	120-5537	1	Spring-Compression	133	106-8688	1	Brake Arm Kit
51	120-5538	1	Washer	134	112-9861	1	Center Section Filter Kit
52	104-5306	1	Shaft-Input	135	114-1634	1	Filter Kit
53	104-5311	1	Bearing-Ball	136	121-5730	1	RH Expansion Tank Kit
55	104-5308	1	Spacer	137	120-5549	1	Bypass Kit
60	94-6922	1	Bearing-Thrust	138	121-5731	1	Hub Kit
70	104-5339	1	Washer-Flat	139	121-5729	1	Fan Pulley Kit
72	104-5316	1	Gear-Pinion, 13T	150	104-5349	1	Fitting-SAE
73	106-8683	1	Shaft-Motor	151	115-8302	1	Hose
74	104-5360	1	Washer	159	121-5728	1	Case-Tube
80	119-5541	2	Washer	160	125-0041	1	Cap-Axle
81	104-5317	1	Gear-10T/48T	161	114-8467	1	Puller-Hub, 4 Bolt
82	104-5318	1	Gear-Jackshaft, 10T	162	120-7103	1	Seal And Ring Kit

● Not illustrated

Right Hand Hydro Transaxle Assembly No. 119-3331

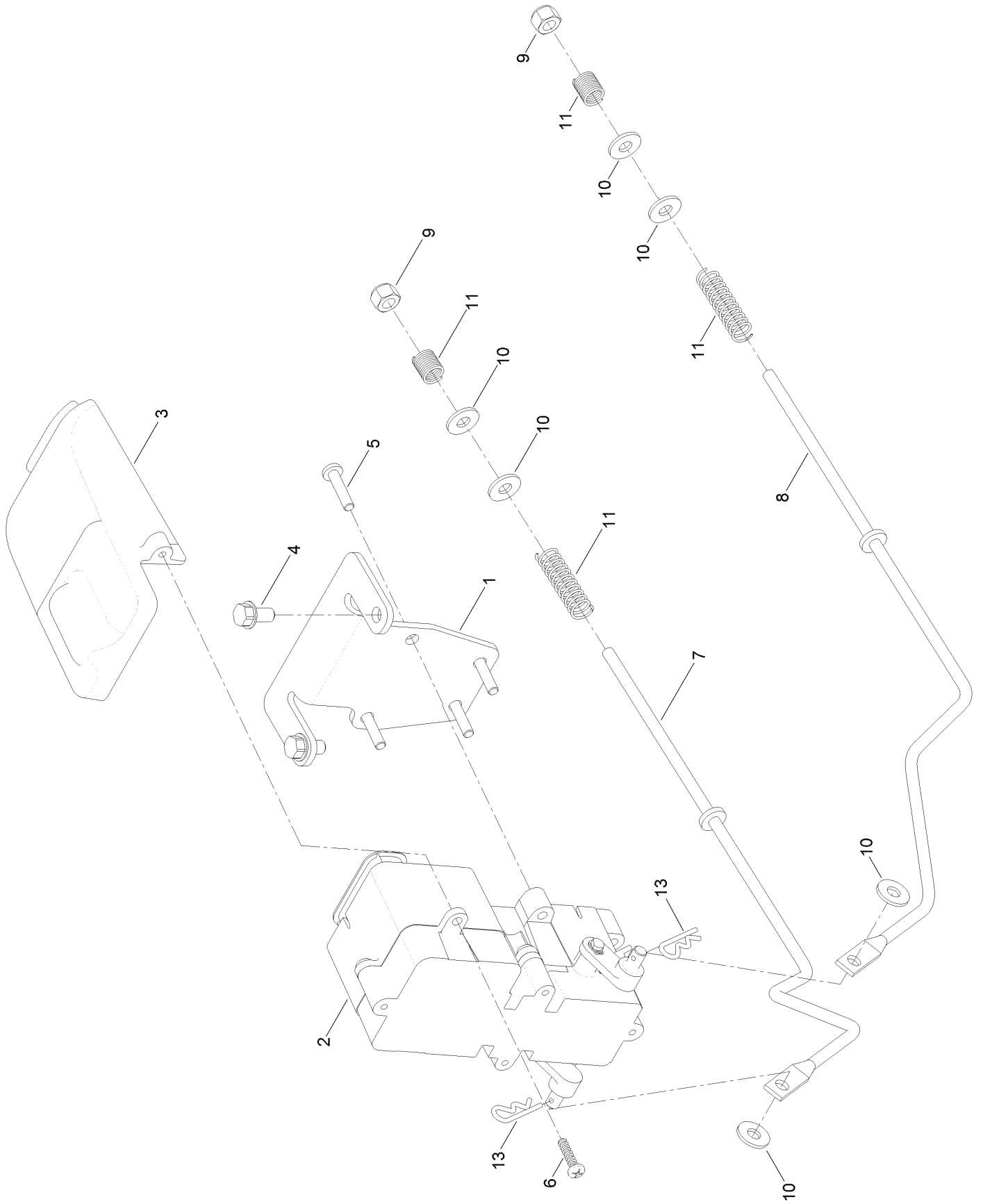


Right Hand Hydro Transaxle Assembly No. 119-3331 (continued)

<i>Ref.</i>	<i>Part Number</i>	<i>Qty.</i>	<i>Description</i>	<i>Ref.</i>	<i>Part Number</i>	<i>Qty.</i>	<i>Description</i>
1	120-5531	1	Main Housing ASM	83	104-5329	1	Pin-Jackshaft
2	120-5533	1	Housing Side Kit	91	120-5539	1	Gear-Bull
5	104-2189	1	Plug-Thread, Straight	92	104-2142	1	Nut-HJ
7	117-5359	16	Screw-HHF	93	115-8314	1	Bushing-Inboard
13	104-2147	1	Sealant ●	94	120-5540	1	Shaft-Axle
32	106-8678	2	Rod-Bypass	95	120-5541	1	Bearing-Sleeve
40	104-5304	1	Swashplate-Trunnion	100	106-8694	1	Disc-Brake, Cog
42	104-2116	1	Stud	130	103-2666	1	Cylinder Block Kit
43	112-9853	1	Puck-Friction	131	110-8561	1	Pump Block ASM
45	114-8491	1	Washer	132	117-5362	1	Control Arm Kit
50	120-5537	1	Spring-Compression	133	106-8688	1	Brake Arm Kit
51	120-5538	1	Washer	134	112-9862	1	Center Section Filter Kit
52	104-5306	1	Shaft-Input	135	114-1634	1	Filter Kit
53	104-5311	1	Bearing-Ball	136	121-5735	1	LH Expansion Tank Kit
55	104-5308	1	Spacer	137	107-2489	1	Bypass Arm Kit
60	94-6922	1	Bearing-Thrust	138	121-5731	1	Hub Kit
70	104-5339	1	Washer-Flat	139	121-5729	1	Fan Pulley Kit
72	104-5316	1	Gear-Pinion, 13T	150	104-5349	1	Fitting-SAE
73	106-8683	1	Shaft-Motor	151	115-8302	1	Hose
74	104-5360	1	Washer	159	121-5728	1	Case-Tube
80	119-5541	2	Washer	160	125-0041	1	Cap-Axle
81	104-5317	1	Gear-10T/48T	161	114-8467	1	Puller-Hub, 4 Bolt
82	104-5318	1	Gear-Jackshaft, 10T	162	120-7103	1	Seal And Ring Kit

● Not illustrated

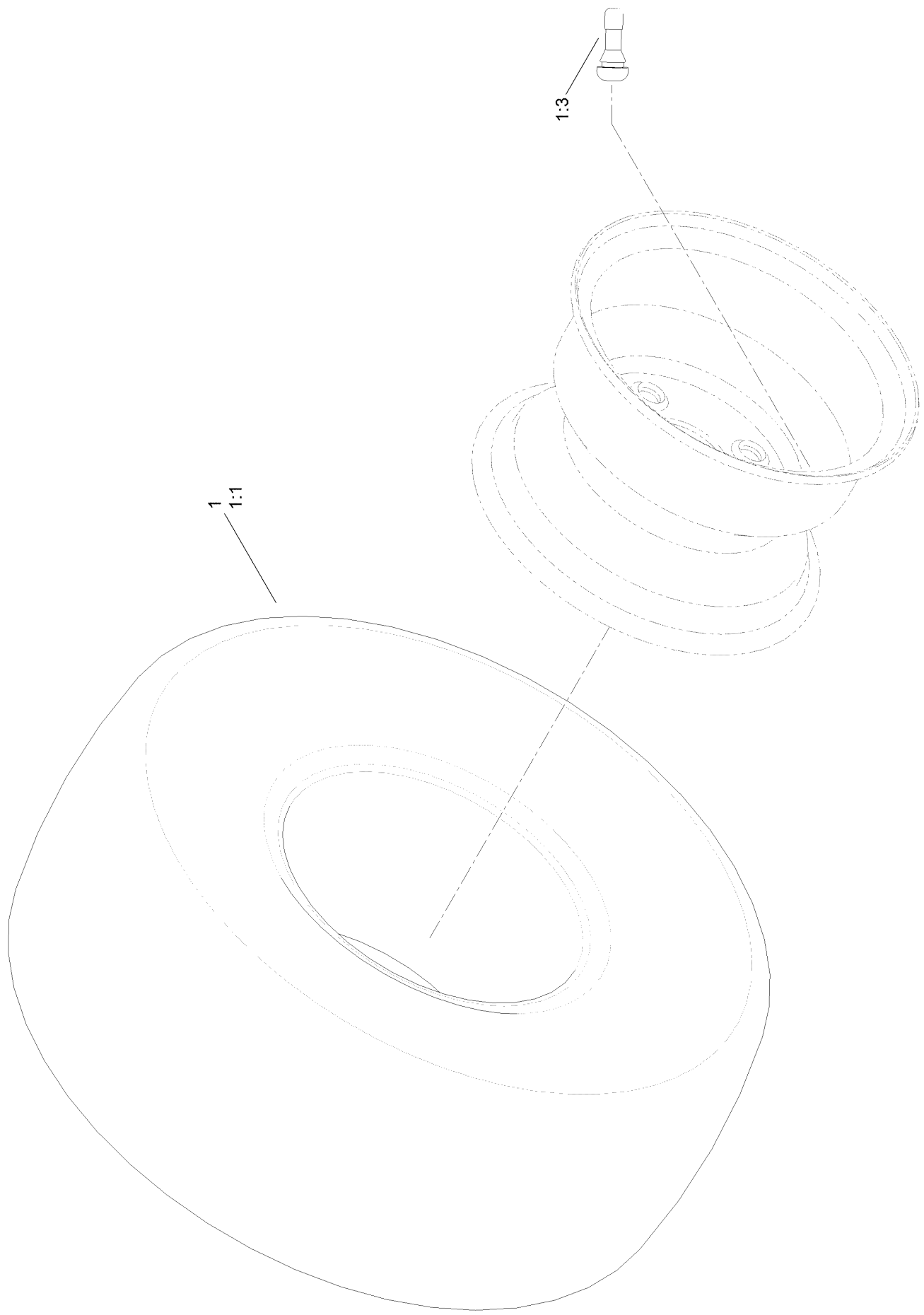
Brake Assembly



Brake Assembly (continued)

<i>Ref.</i>	<i>Part Number</i>	<i>Qty.</i>	<i>Description</i>	<i>Ref.</i>	<i>Part Number</i>	<i>Qty.</i>	<i>Description</i>
1	130-0790-03	1	Bracket-Mount, Brake	7	121-2974	1	Rod-Brake, RH
2	130-0795	1	Brake Box ASM	8	121-2975	1	Rod-Brake, LH
3	132-6949	1	Cover-Connector	9	3296-42	2	Nut-Lock, NI
4	32144-4	2	Screw-HWH	10	119-8952	6	Washer
5	32144-36	4	Screw-PPH	11	117-1169	4	Spring-Compression
6	94-4496	2	Screw-PPH	13	3290-307	2	Pin-Cotter

Tire Assembly No. 131-3671



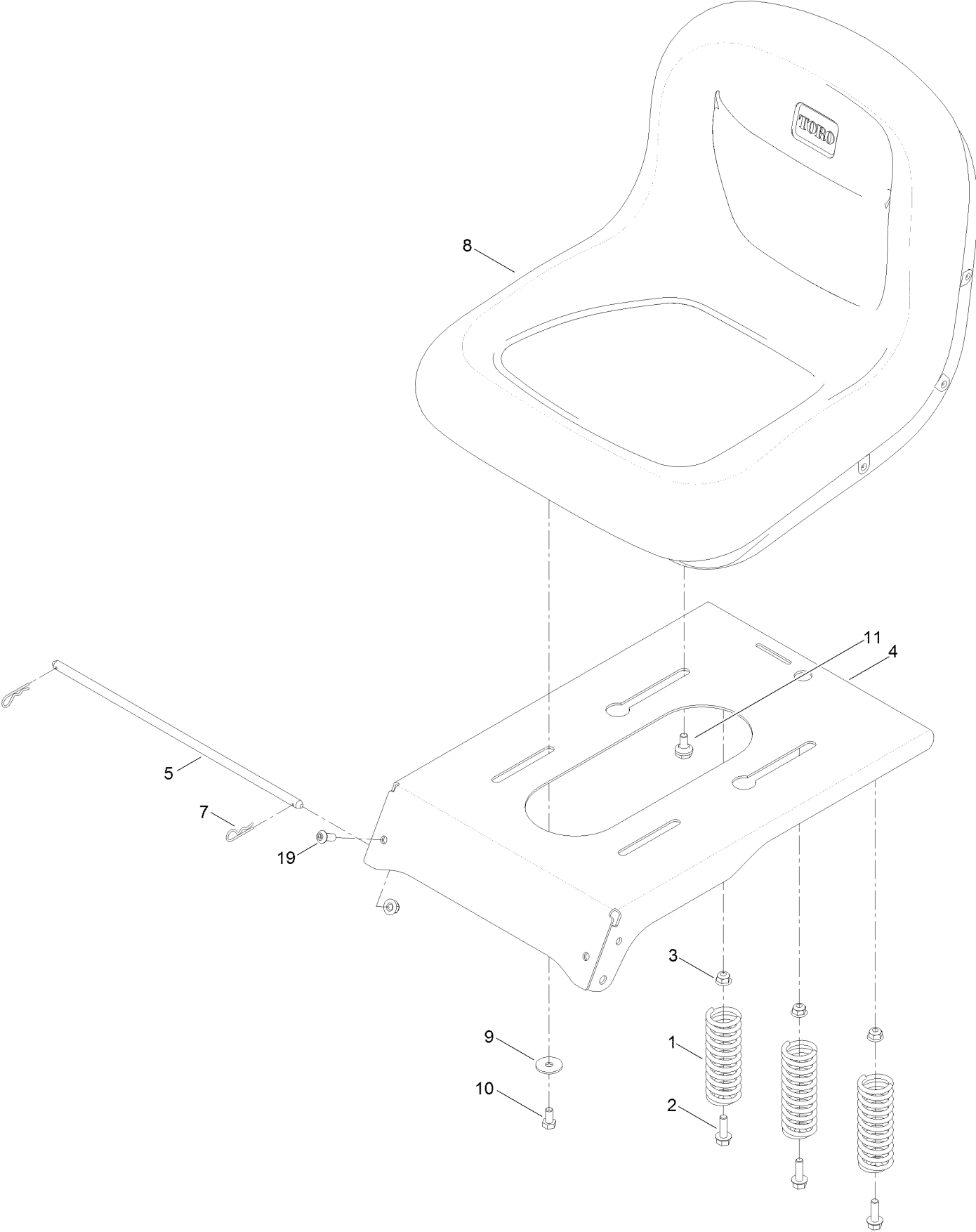
Tire Assembly No. 131-3671 (continued)

<i>Ref.</i>	<i>Part Number</i>	<i>Qty.</i>	<i>Description</i>
1	131-3671	2	2 Ply Wheel And Tire ASM
1:1	131-3678	1	Tire-2 Ply

<i>Ref.</i>	<i>Part Number</i>	<i>Qty.</i>	<i>Description</i>
1:3	232-27	1	Stem-Valve
1:99	107-2491	1	Tube-Tire ●

● Not illustrated

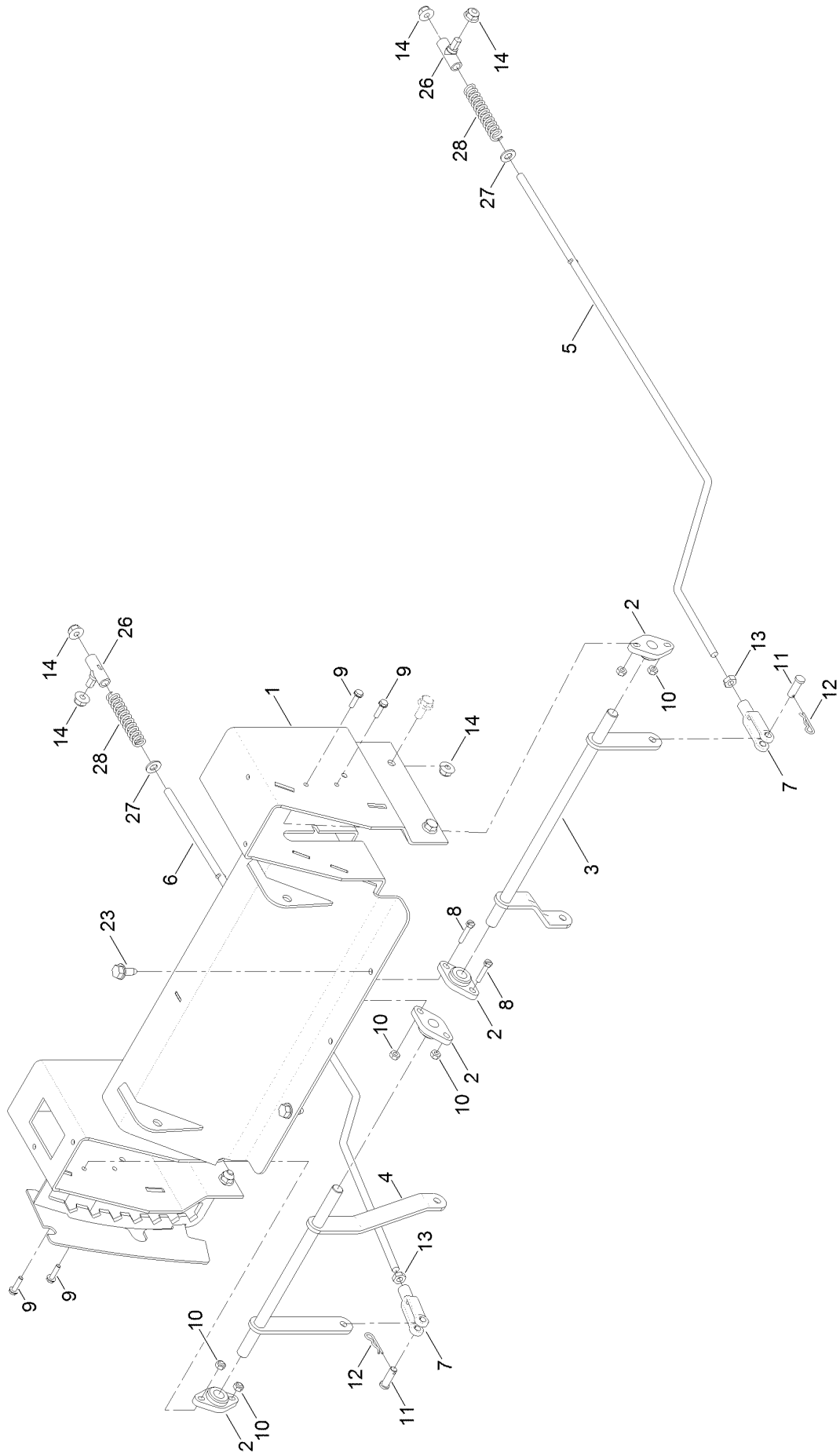
Seat Assembly



Seat Assembly (continued)

<i>Ref.</i>	<i>Part Number</i>	<i>Qty.</i>	<i>Description</i>	<i>Ref.</i>	<i>Part Number</i>	<i>Qty.</i>	<i>Description</i>
1	92-7054	3	Spring-Compression	8	119-8828	1	Seat-15 Inch
2	3234-29	3	Screw-HHF	9	5-4460	2	Washer-Pivot
3	104-8300	5	Nut-Flange, NI	10	322-2	2	Screw-HH
4	131-4037-01	1	Pan-Seat	11	37-8771	2	Bolt-Shoulder
5	119-3433	1	Rod-Pivot, Narrow	19	3274-55	2	Screw-HSBH
7	3290-250	2	Pin-Cotter				

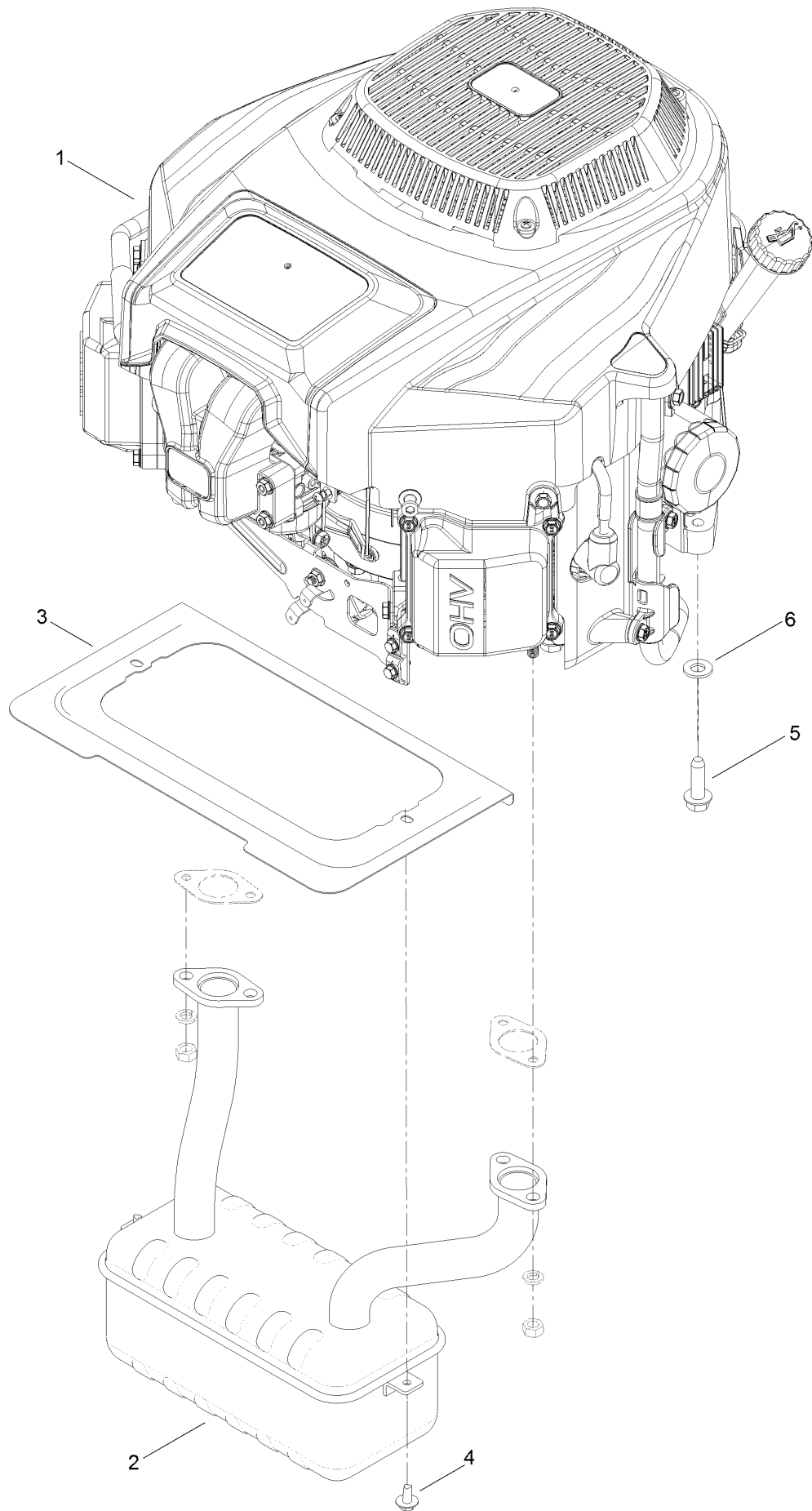
Motion Control Assembly



Motion Control Assembly (continued)

<i>Ref.</i>	<i>Part Number</i>	<i>Qty.</i>	<i>Description</i>	<i>Ref.</i>	<i>Part Number</i>	<i>Qty.</i>	<i>Description</i>
1	130-6898-03	1	Control Box ASM	10	3296-2	6	Nut-Lock, NI
2	127-0146	4	Bearing-Flange	11	1-808280	2	Pin-Clevis
3	132-6884	1	Bellcrank-LH	12	1-806003	2	Pin-Cotter
4	130-6904	1	Bellcrank-RH, Narrow	13	3220-2	2	Nut-Jam
4	132-6890	1	Bellcrank-RH	13	3234-47	6	Screw-HHF
5	125-1812	1	Rod-Hydro, LH	14	104-8300	10	Nut-Flange, NI
6	127-3378	1	Rod-Hydro, RH	23	32144-70	2	Screw-HWHTF
7	1-303105	2	Yoke-Adjustable	26	119-8842	2	Mount-Rod, Hydro
8	32105-12	2	Screw	27	3256-23	2	Washer-Flat
9	3290-126	4	Screw-HWH	28	1-603807	2	Spring-Return, Neutral

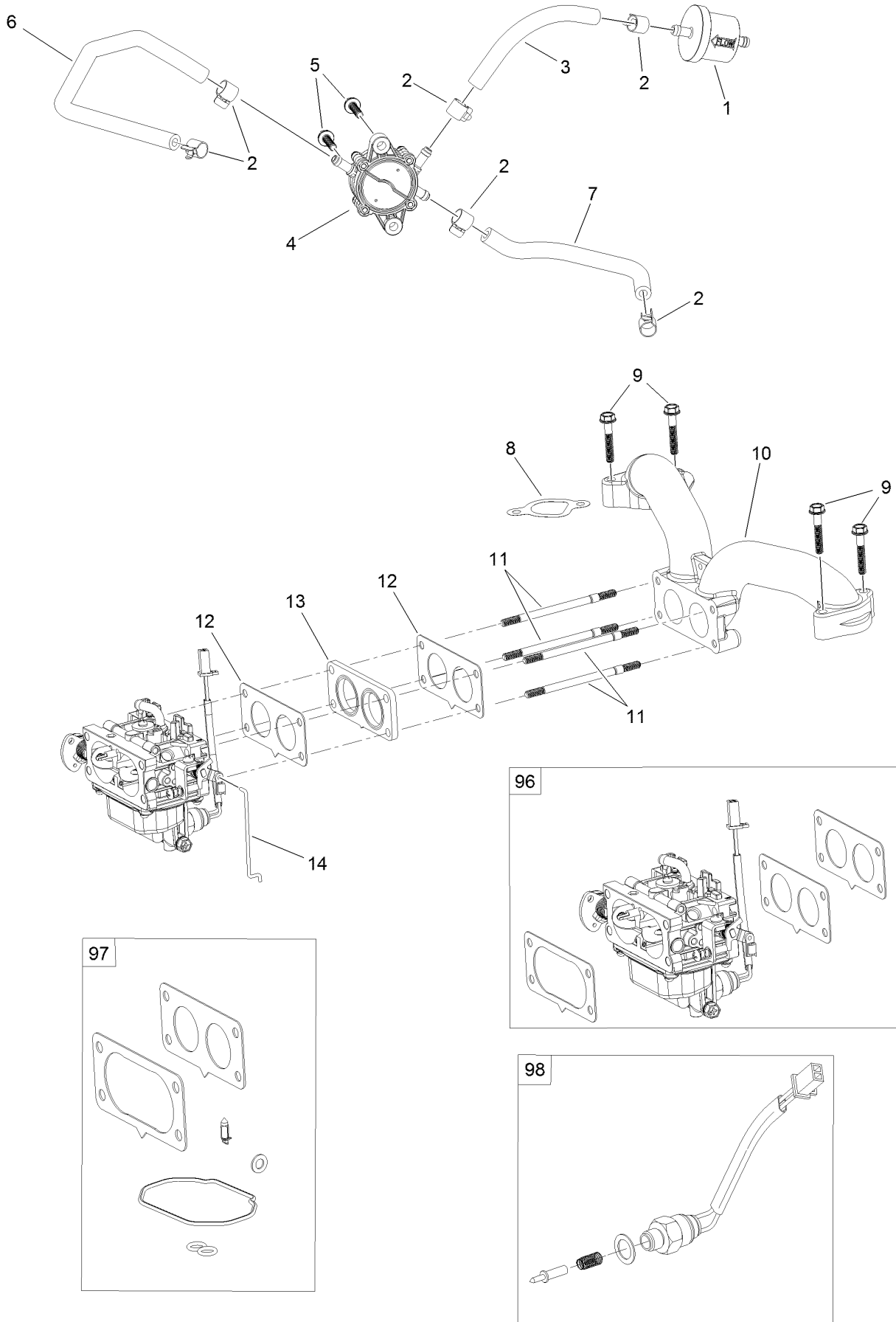
Engine and Muffler Assembly



Engine and Muffler Assembly (continued)

<i>Ref.</i>	<i>Part Number</i>	<i>Qty.</i>	<i>Description</i>	<i>Ref.</i>	<i>Part Number</i>	<i>Qty.</i>	<i>Description</i>
1	127-9041	1	Engine-2P77F	4	46-8560	2	Screw-HHFTF
2	130-6851	1	Muffler	5	32144-109	4	Screw-Taptite
3	131-1071-03	1	Shield-Heat	6	3256-24	3	Washer-Flat

Fuel System Assembly

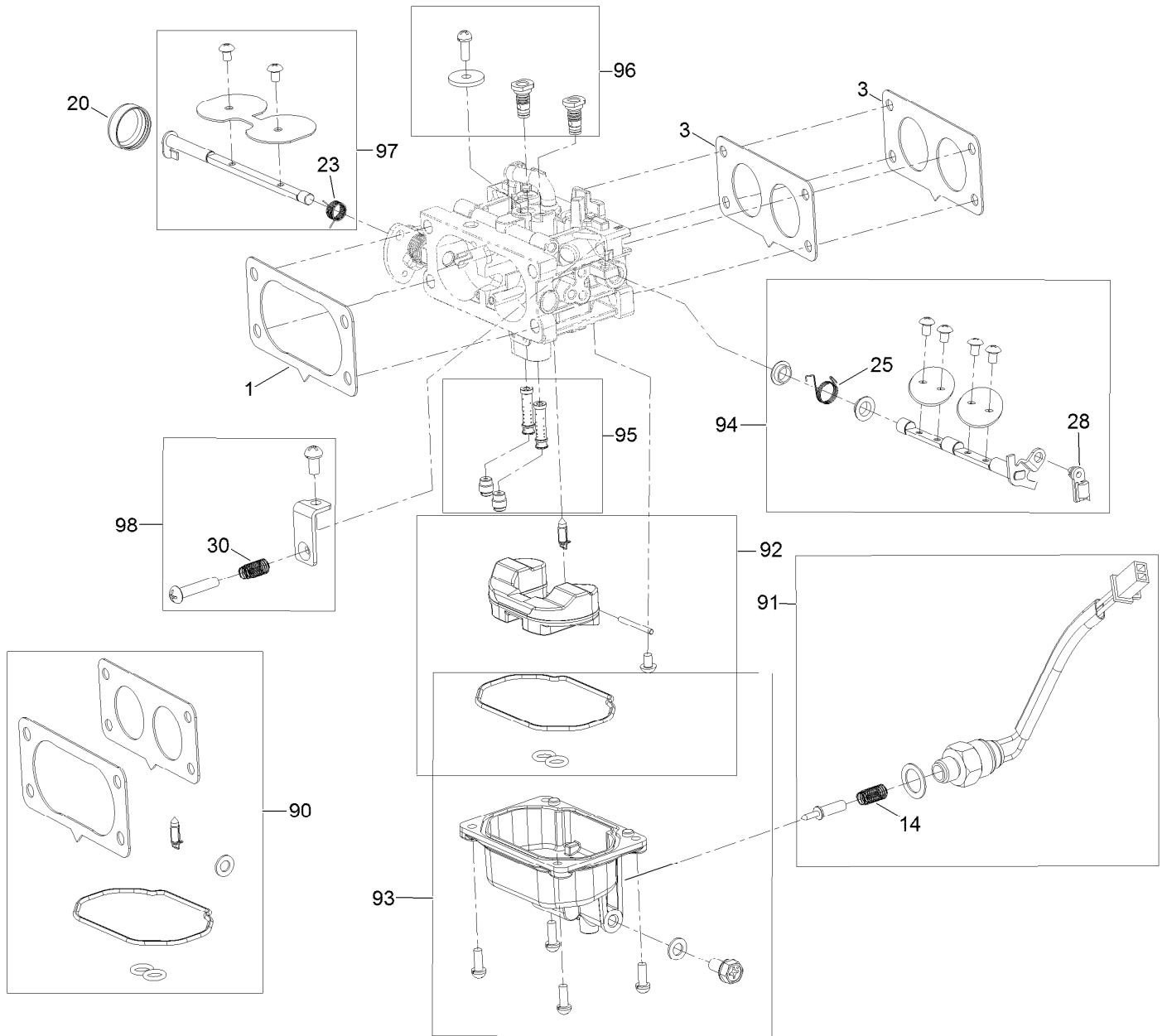


Fuel System Assembly (continued)

<i>Ref.</i>	<i>Part Number</i>	<i>Qty.</i>	<i>Description</i>	<i>Ref.</i>	<i>Part Number</i>	<i>Qty.</i>	<i>Description</i>
1	133-1563	1	Filter-Fuel	10	127-9244	1	Manifold-Intake
2	120-4251	6	Clamp-Fuel Line	11	127-9245	4	Stud
3	120-4371	1	Line-Fuel	12	127-9246	2	Gasket-Carburetor
4	127-9206	1	Pump-Fuel	13	127-9247	1	Insulator-Carburetor
5	120-4225	2	Screw-HHF	14	127-9248	1	Linkage-Throttle
6	127-9205	1	Hose-Fuel	96	127-9289	1	Carburetor Replacement Kit
7	127-9207	1	Hose-Fuel	97	127-9290	1	Carburetor Repair Kit
8	127-9230	2	Gasket-Intake	98	127-9292	1	Solenoid Kit
9	120-4284	4	Screw-HHF	99	127-9303	1	High Altitude Kit ●

● Not illustrated

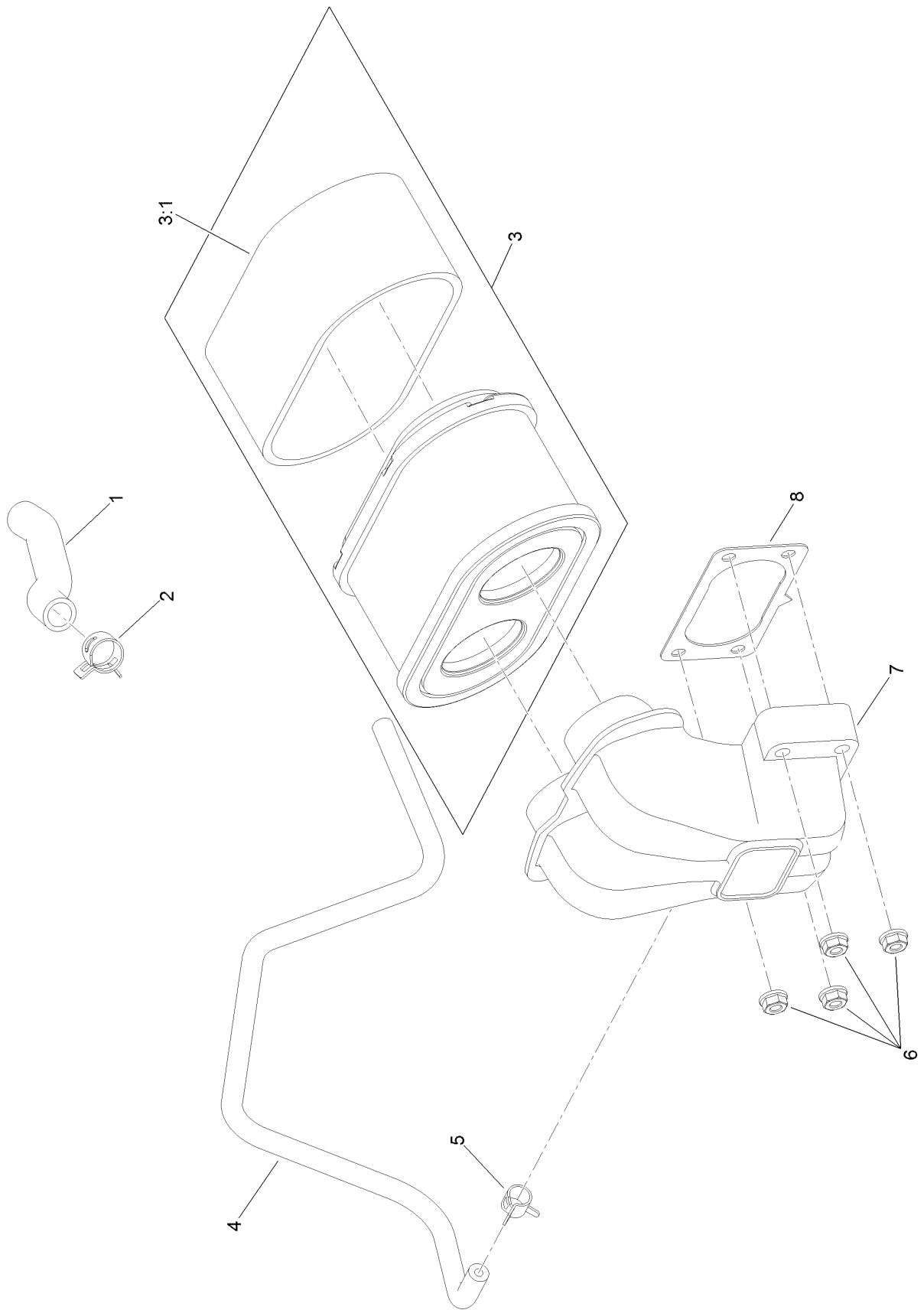
Carburetor Assembly



Carburetor Assembly (continued)

<i>Ref.</i>	<i>Part Number</i>	<i>Qty.</i>	<i>Description</i>	<i>Ref.</i>	<i>Part Number</i>	<i>Qty.</i>	<i>Description</i>
1	127-9251	1	Gasket-Carburetor	91	127-9292	1	Solenoid Kit
3	127-9246	2	Gasket-Carburetor	92	127-9340	1	Float Kit
14	127-9319	1	Spring	93	127-9341	1	Bowl Kit
20	127-9325	1	Cover-Shaft, Choke	94	127-9342	1	Throttle Shaft Kit
23	127-9328	1	Spring	95	127-9343	1	Nozzle And Jet Kit
25	127-9330	1	Spring	96	127-9344	1	Air Jet Kit
28	127-9333	1	Clamp-Lock	97	127-9345	1	Choke Shaft Kit
30	127-9335	1	Spring	98	127-9347	1	Idlestop Kit
90	127-9290	1	Carburetor Repair Kit				

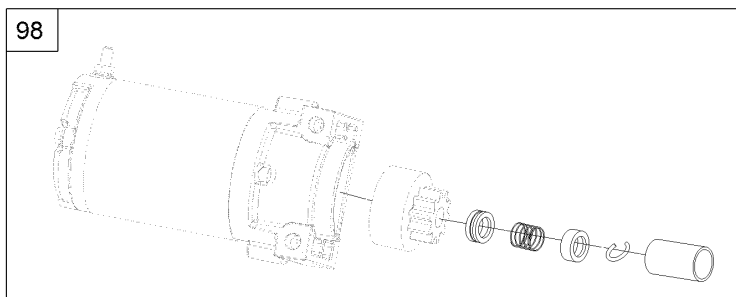
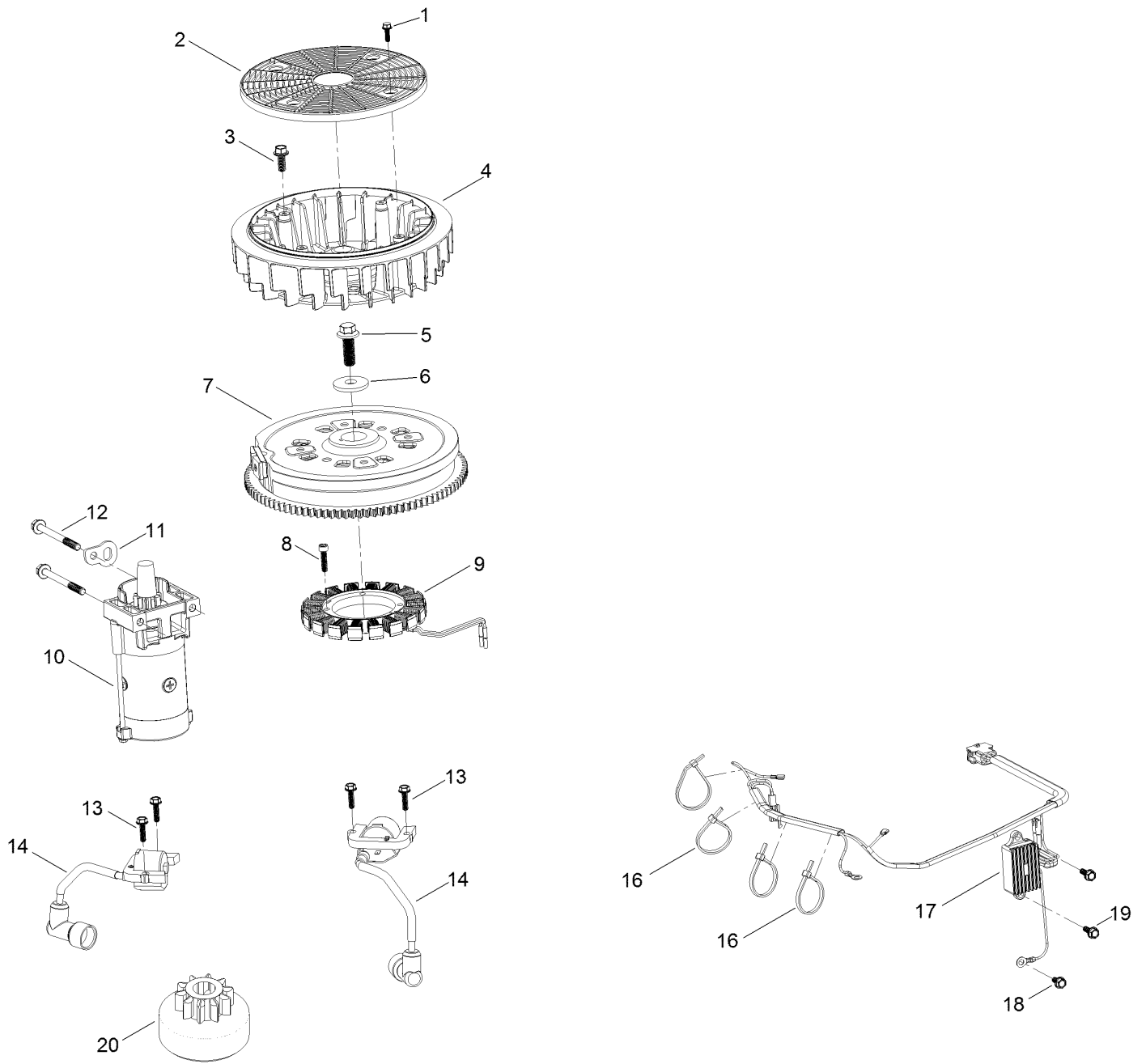
Air Intake and Filtration Assembly



Air Intake and Filtration Assembly (continued)

<i>Ref.</i>	<i>Part Number</i>	<i>Qty.</i>	<i>Description</i>	<i>Ref.</i>	<i>Part Number</i>	<i>Qty.</i>	<i>Description</i>
1	127-9235	1	Tube-Breather	5	127-9187	1	Clamp-Hose
2	127-9234	2	Clamp-Hose	6	120-4236	4	Nut-Flange
3	127-9252	1	Filter-Air, Complete	7	127-9047	1	Manifold-Filter, Air
3:1	127-9288	1	Filter-Pre, Foam	8	127-9251	1	Gasket-Carburetor
4	127-9253	1	Hose-Fuel				

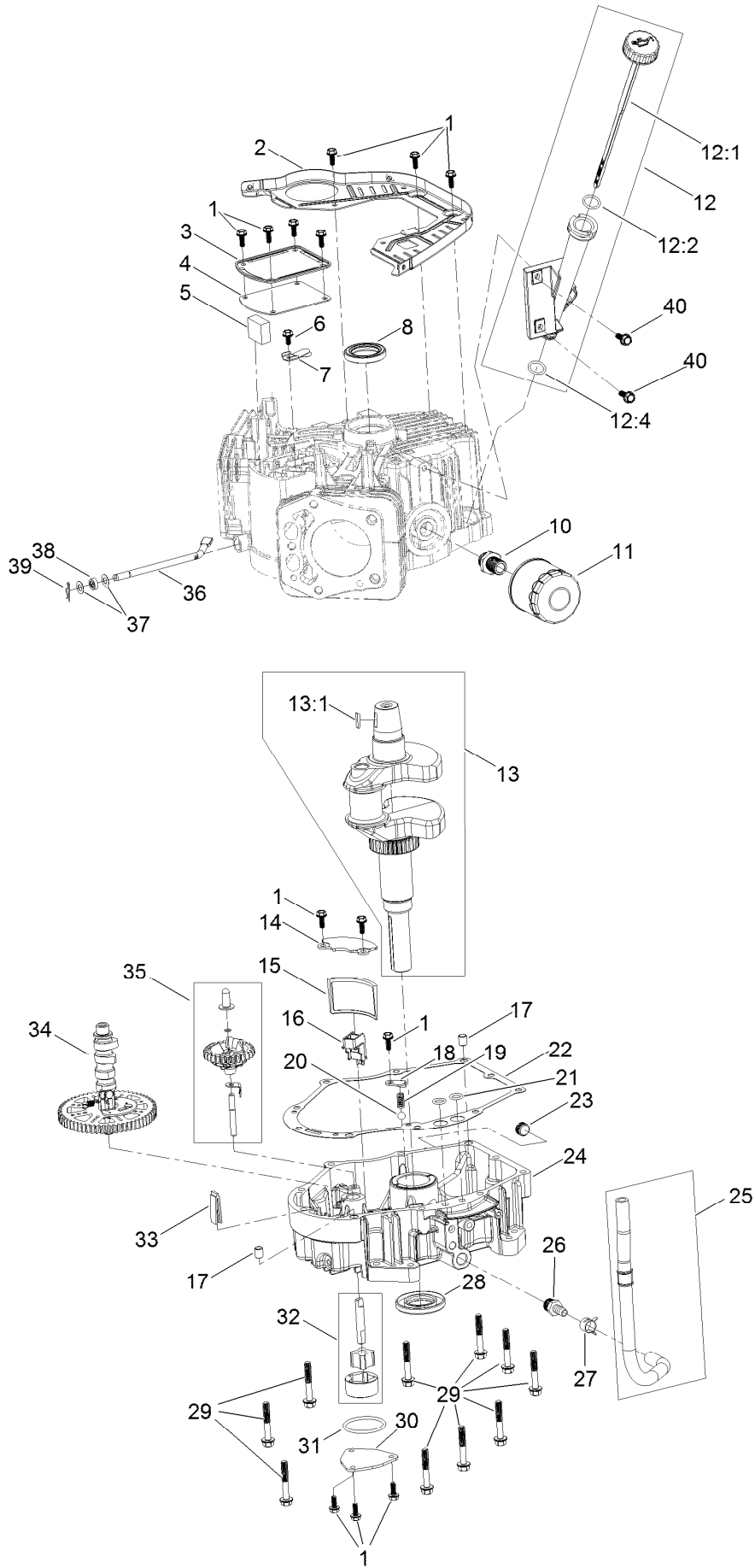
Ignition and Electrical Assembly



Ignition and Electrical Assembly (continued)

<i>Ref.</i>	<i>Part Number</i>	<i>Qty.</i>	<i>Description</i>	<i>Ref.</i>	<i>Part Number</i>	<i>Qty.</i>	<i>Description</i>
1	127-9197	4	Screw-HWH	12	120-4231	2	Screw-HHF
2	127-9198	1	Screen-Rotating	13	121-0007	4	Bolt-Flange
3	127-9199	4	Screw-HWH	14	127-9216	2	Ignition Coil ASM
4	127-9200	1	Fan-Cooling	16	127-9220	4	Tie-Zip
5	127-9201	1	Screw-HWH	17	127-9219	1	Regulator-Voltage W/Harness
6	127-9202	1	Washer-Flat	18	120-4216	1	Screw-HHF
7	127-9306	1	Flywheel	19	120-4232	2	Screw-HHF
8	127-9210	4	Screw-HSH	20	133-1562	1	Pinion-Starter
9	127-9211	1	Alternator	98	133-1566	1	Starter Repair Kit
10	133-9828	1	Motor-Starter				
11	127-9208	1	Bracket-Lift				

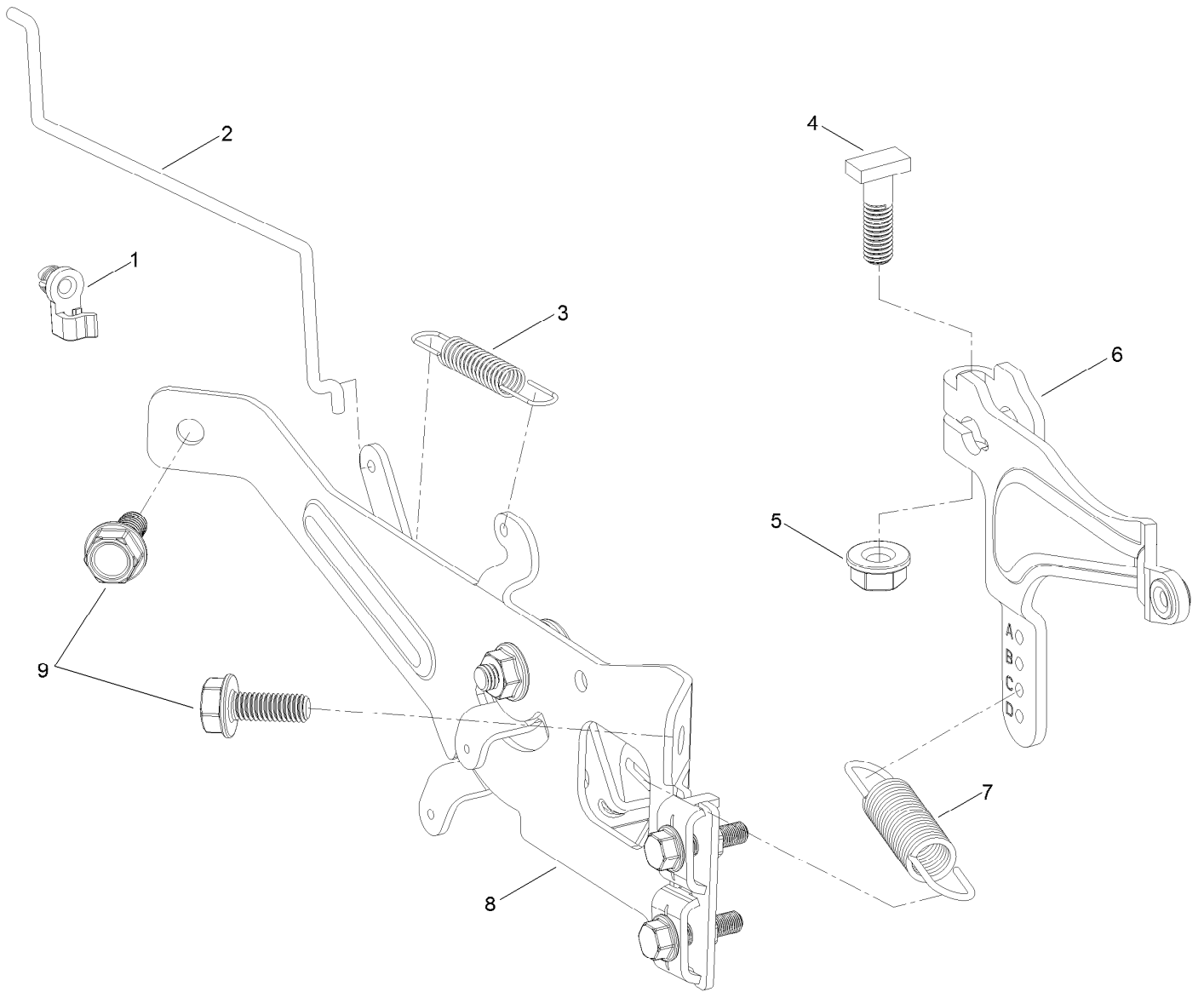
Crankcase and Crankshaft Assembly



Crankcase and Crankshaft Assembly (continued)

<i>Ref.</i>	<i>Part Number</i>	<i>Qty.</i>	<i>Description</i>	<i>Ref.</i>	<i>Part Number</i>	<i>Qty.</i>	<i>Description</i>
1	120-4232	14	Screw-HHF	20	127-9266	1	Valve-Ball
2	127-9212	1	Baffle	21	120-4262	2	O-Ring
3	127-9213	1	Cover-Breather	22	127-9267	1	Gasket-Cover, Crankcase
4	127-9214	1	Gasket-Breather	23	133-9805	1	Plug-Drain
5	127-9215	1	Filter-Breather	24	127-9268	1	Cover-Crankcase
6	120-4216	1	Screw-HHF	25	127-9293	1	Oil Drain Hose ASM
7	127-9217	1	Valve-Breather	26	127-9275	1	Fitting-Hose
8	120-4267	1	Seal-Oil	27	127-9276	1	Clamp-Hose
10	120-4346	1	Adaptor-Filter, Oil	28	127-9271	1	Seal
11	120-4276	1	Filter-Oil	29	121-0473	10	Screw-HHF
12	127-9218	1	Oil Tube ASM	30	127-9274	1	Cover-Oil Pump
12:1	127-9283	1	Dipstick	31	127-9273	1	O-Ring
12:2	127-9284	1	O-Ring	32	127-9272	1	Oil Pump ASM
12:4	127-9286	1	O-Ring	33	120-4275	1	Deflector-Oil, Rubber
13	127-9255	1	Crankshaft	34	133-1568	1	Camshaft
13:1	120-4320	1	Key-Woodruff	35	133-9807	1	Governor ASM
14	127-9261	1	Cover-Screen, Oil	36	127-9238	1	Rod-Governor
15	127-9262	1	Screen-Oil	37	120-4258	2	Washer-Plain
16	127-9263	1	Retainer-Screen	38	120-4257	1	Seal-Oil
17	120-4274	2	Pin-Dowel	39	120-4256	1	Pin-Hair
18	127-9264	1	Plate-Retainer	40	120-4232	2	Screw-HHF
19	127-9265	1	Spring				

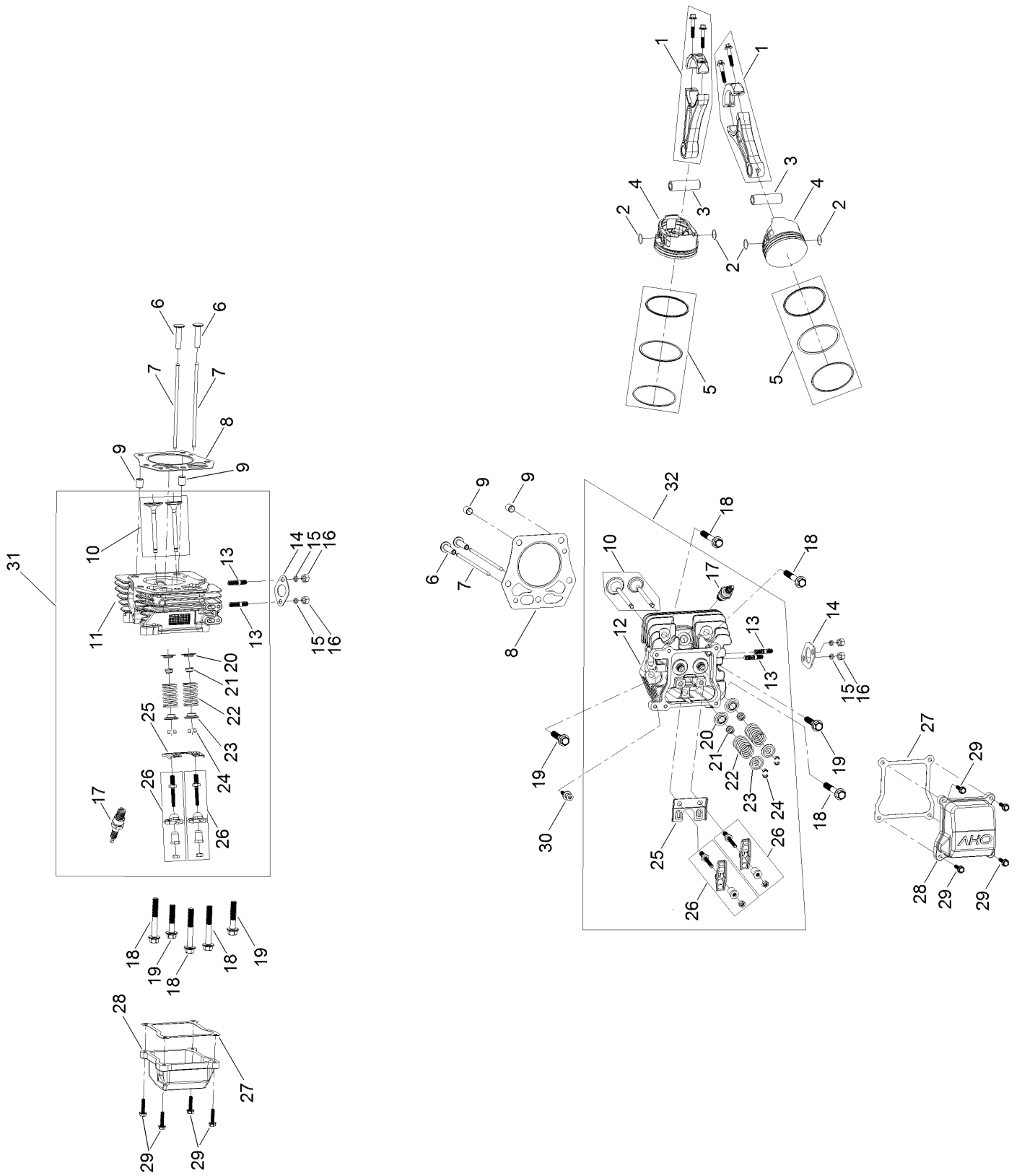
Governor Control Assembly



Governor Control Assembly (continued)

<i>Ref.</i>	<i>Part Number</i>	<i>Qty.</i>	<i>Description</i>	<i>Ref.</i>	<i>Part Number</i>	<i>Qty.</i>	<i>Description</i>
1	127-9250	1	Clip-Linkage	6	127-9239	1	Arm-Governor
2	127-9242	1	Linkage-Choke	7	133-9809	1	Spring-Governor
3	127-9241	1	Spring-Governor	8	133-1570	1	Control Plate ASM
4	120-4238	1	Bolt-Arm, Governor	9	120-4232	2	Screw-HHF
5	120-4236	1	Nut-Flange				

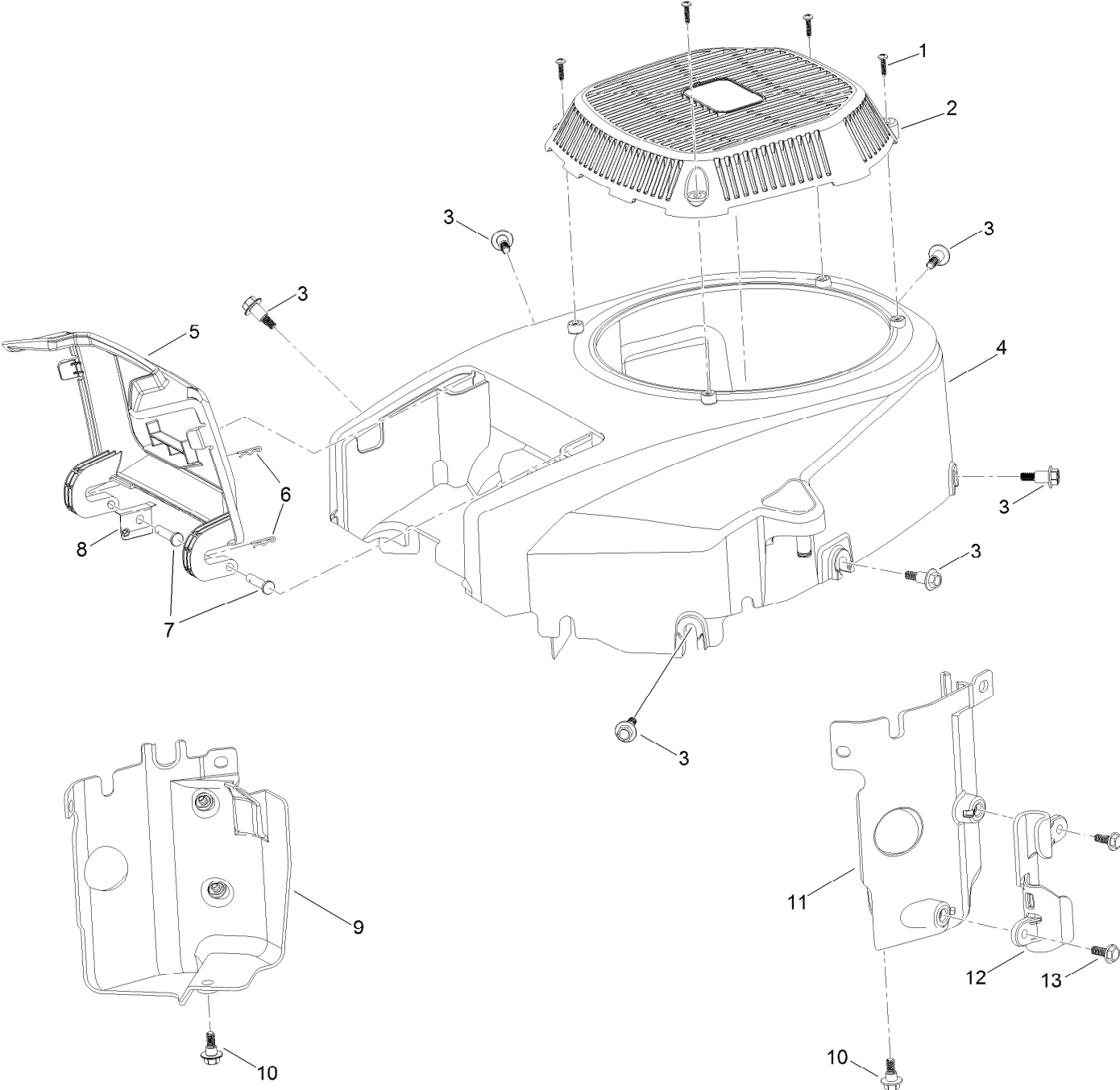
Piston and Cylinder Head Assembly



Piston and Cylinder Head Assembly (continued)

<i>Ref.</i>	<i>Part Number</i>	<i>Qty.</i>	<i>Description</i>	<i>Ref.</i>	<i>Part Number</i>	<i>Qty.</i>	<i>Description</i>
1	127-9256	2	Connecting Rod ASM	17	81-3250	2	Spark Plug
2	127-9258	4	Clip-Piston Pin	18	127-9231	6	Screw-HWH
3	127-9257	2	Pin-Piston	19	127-9232	4	Screw-HWH
4	127-9259	2	Piston	20	120-4303	4	Seat-Spring, Valve
5	127-9260	2	Ring Set-Piston	21	120-4304	4	Seal-Stem, Valve
6	127-9224	4	Lifter-Valve	22	120-4305	4	Spring-Valve
7	127-9225	4	Rod-Push	23	120-4306	4	Retainer-Spring, Valve
8	127-9226	2	Gasket-Head, Cylinder	24	120-4307	8	Keeper-Valve
9	127-9227	4	Pin-Dowel	25	127-9233	2	Plate-Push Rod, Guide
10	127-9228	2	Valve Set	26	127-9294	4	Rocker Arm ASM
11	127-9229	1	Head-Cylinder	27	127-9295	2	Gasket-Valve Cover
12	127-9254	1	Head-Cylinder	28	127-9050	2	Cover-Valve
13	121-0464	4	Stud-Exhaust	29	120-4225	8	Screw-HHF
14	120-4317	2	Gasket-Exhaust	30	120-4214	1	Screw-Shoulder, HH
15	127-9279	4	Washer-Lock, Split	31	133-9819	1	Complete Right Head ASM
16	121-0199	4	Nut-HH	32	133-9820	1	Complete Left Head ASM

Blower Housing Assembly

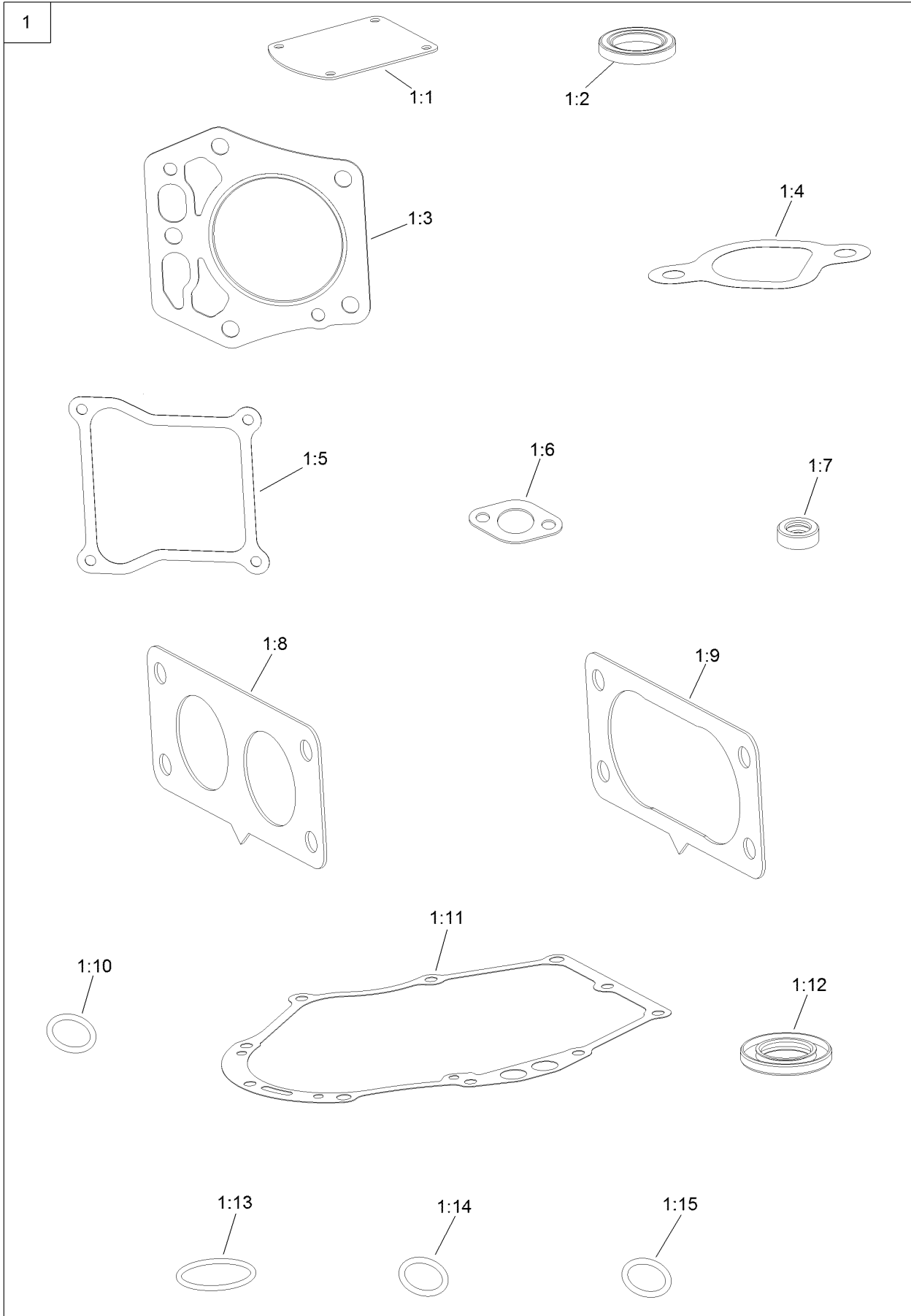


Blower Housing Assembly (continued)

<i>Ref.</i>	<i>Part Number</i>	<i>Qty.</i>	<i>Description</i>	<i>Ref.</i>	<i>Part Number</i>	<i>Qty.</i>	<i>Description</i>
1	133-1571	4	Screw-PPH, Plastic	8	127-9281	1	Plate-Spring
2	127-9045	1	Cover-Fan	9	127-9049	1	Baffle-Air, Left
3	127-9196	6	Screw-Shoulder, HWH	10	120-4210	2	Screw-Shoulder, HHF
4	133-1572	1	Shroud-Engine	11	127-9048	1	Baffle-Air, Right
5	127-9046	1	Door-Filter, Air	12	127-9287	1	Cleat-Hose
6	127-9280	2	Pin-Hair	13	120-4232	2	Screw-HHF
7	127-9282	2	Pin				

Gasket and Seal Kit Assembly

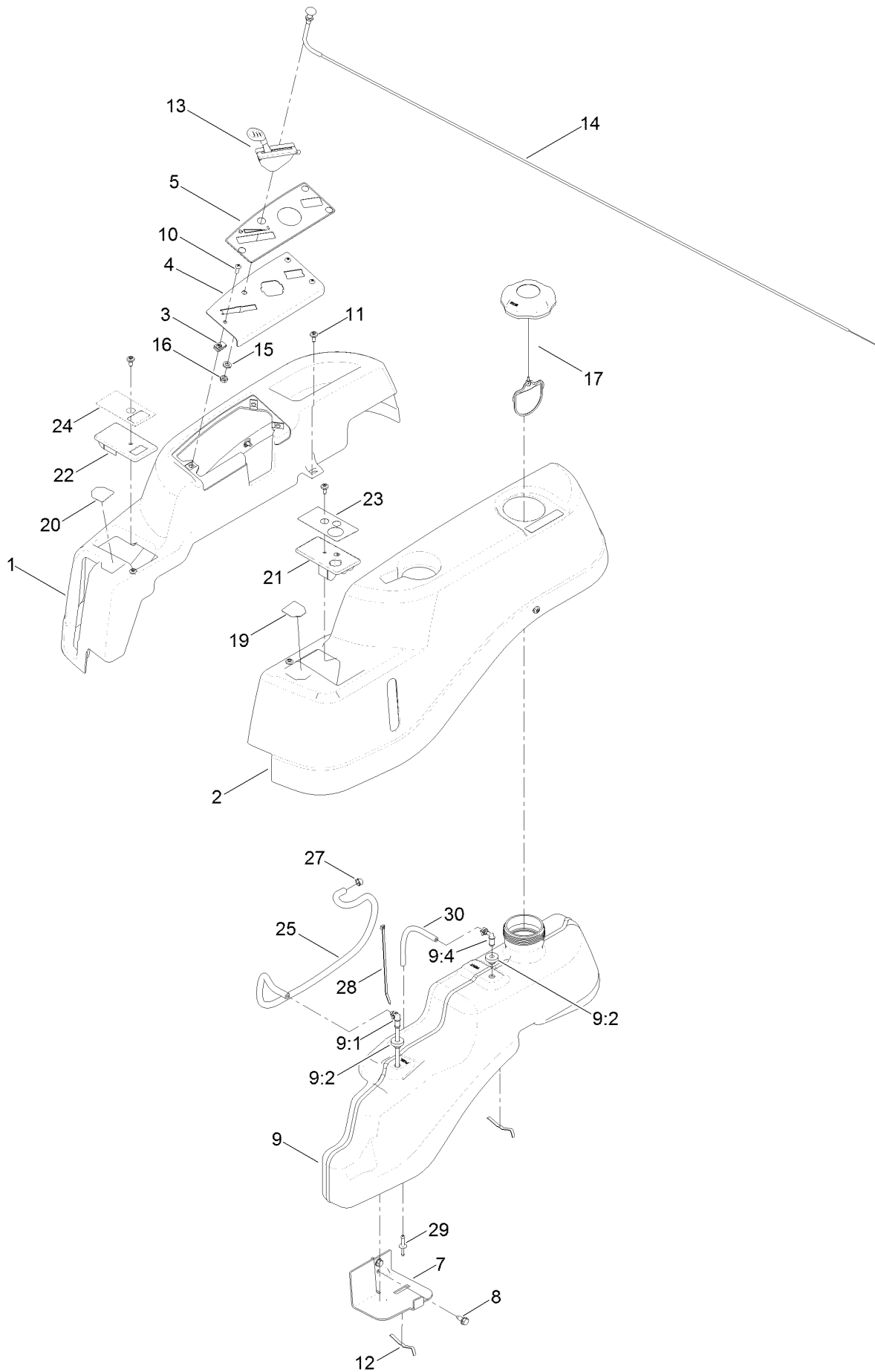
1



Gasket and Seal Kit Assembly (continued)

<i>Ref.</i>	<i>Part Number</i>	<i>Qty.</i>	<i>Description</i>	<i>Ref.</i>	<i>Part Number</i>	<i>Qty.</i>	<i>Description</i>
1	127-9296	1	Gasket And Seal Kit	1:8	127-9246	2	Gasket-Carburetor
1:1	127-9214	1	Gasket-Breather	1:9	127-9251	1	Gasket-Carburetor
1:2	120-4267	1	Seal-Oil	1:10	120-4262	2	O-Ring
1:3	127-9226	2	Gasket-Head, Cylinder	1:11	127-9267	1	Gasket-Cover, Crankcase
1:4	127-9230	2	Gasket-Intake	1:12	127-9271	1	Seal
1:5	127-9295	2	Gasket-Valve Cover	1:13	127-9273	1	O-Ring
1:6	120-4317	2	Gasket-Exhaust	1:14	127-9284	1	O-Ring
1:7	120-4257	1	Seal-Oil	1:15	127-9286	1	O-Ring

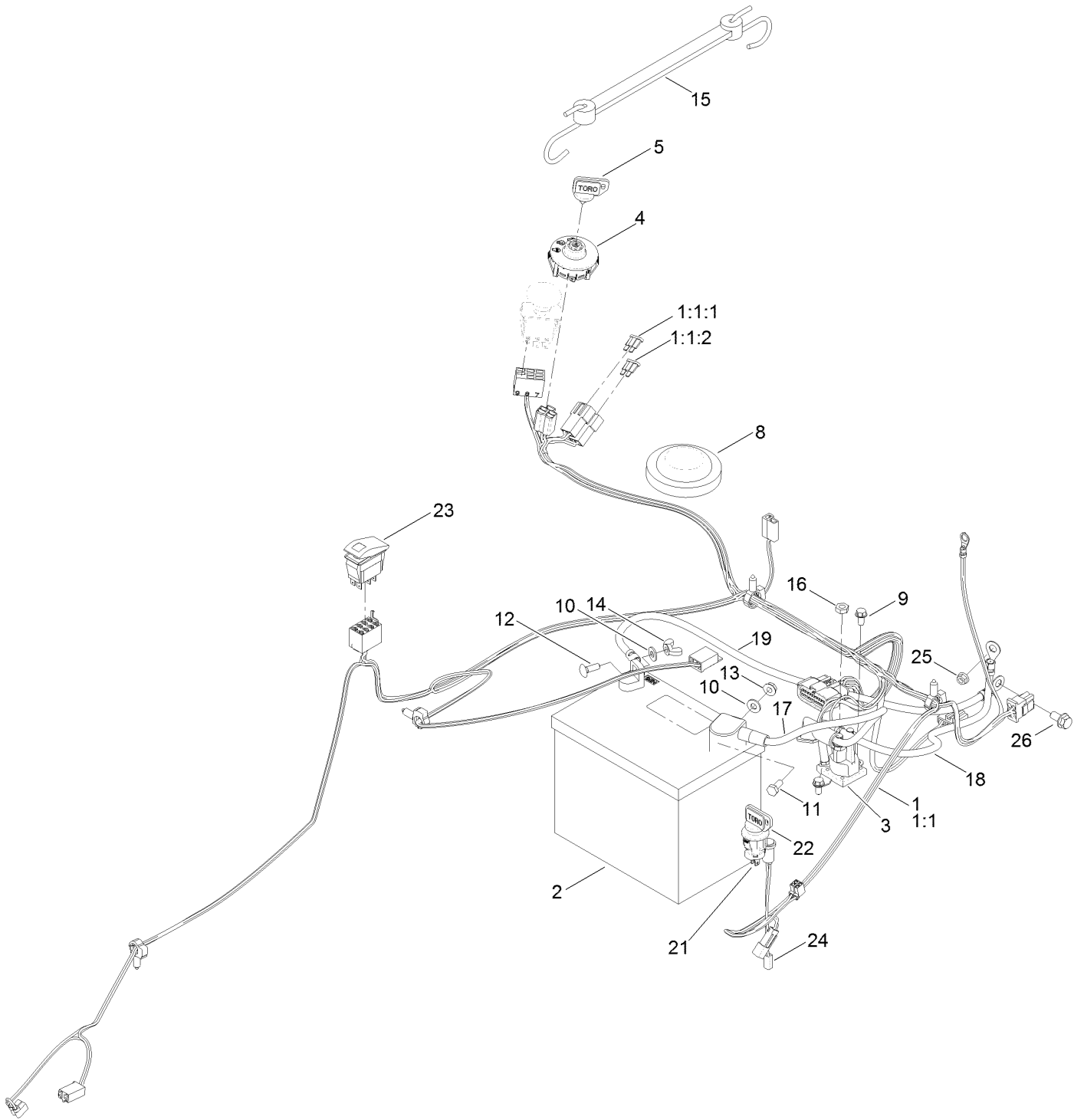
Body Styling and Fuel Tank Assembly



Body Styling and Fuel Tank Assembly (continued)

<i>Ref.</i>	<i>Part Number</i>	<i>Qty.</i>	<i>Description</i>	<i>Ref.</i>	<i>Part Number</i>	<i>Qty.</i>	<i>Description</i>
1	119-3335	1	Pod-RH	14	112-9753	1	Cable-Choke
2	119-3334	1	Pod-LH	15	3253-21	1	Washer-Lock
3	107069	3	Clip	16	3220-3	1	Nut-HJ
4	119-3378-03	1	Plate-Control	17	120-5461	1	Cap-Fuel, Ratcheting
5	121-0772	1	Decal-Panel, Control	19	131-3621	1	Decal-Nmir
7	119-3476-03	1	Support-Tank, Front	20	131-3620	1	Decal-Control, Pedal
8	32144-70	2	Screw-HWHTF	21	130-7042	1	Cover-LH
9	119-3324	1	Fuel Tank ASM	22	130-7041	1	Cover-RH
9:1	121-0793	1	Connector-Elbow, 90 DEG	23	131-3665	1	Decal-Keychoice
9:2	46-6560	2	Bushing	24	131-3955	1	Decal-Brake, Parking
9:4	117-7400	1	Fitting-Plastic	25	109-0281	1	Hose-Fuel
10	3258-166	3	Screw-PRH	27	2412-98	3	Clamp-Hose
11	120-7950	8	Screw-Shoulder	28	614249	1	Tie-Cable
12	609830	2	Spring	29	117-5399	1	Adaptor-Orifice
13	121-0769	1	Cable-Throttle	30	110-1876	1	Hose-Fuel

Battery and Electrical Assembly

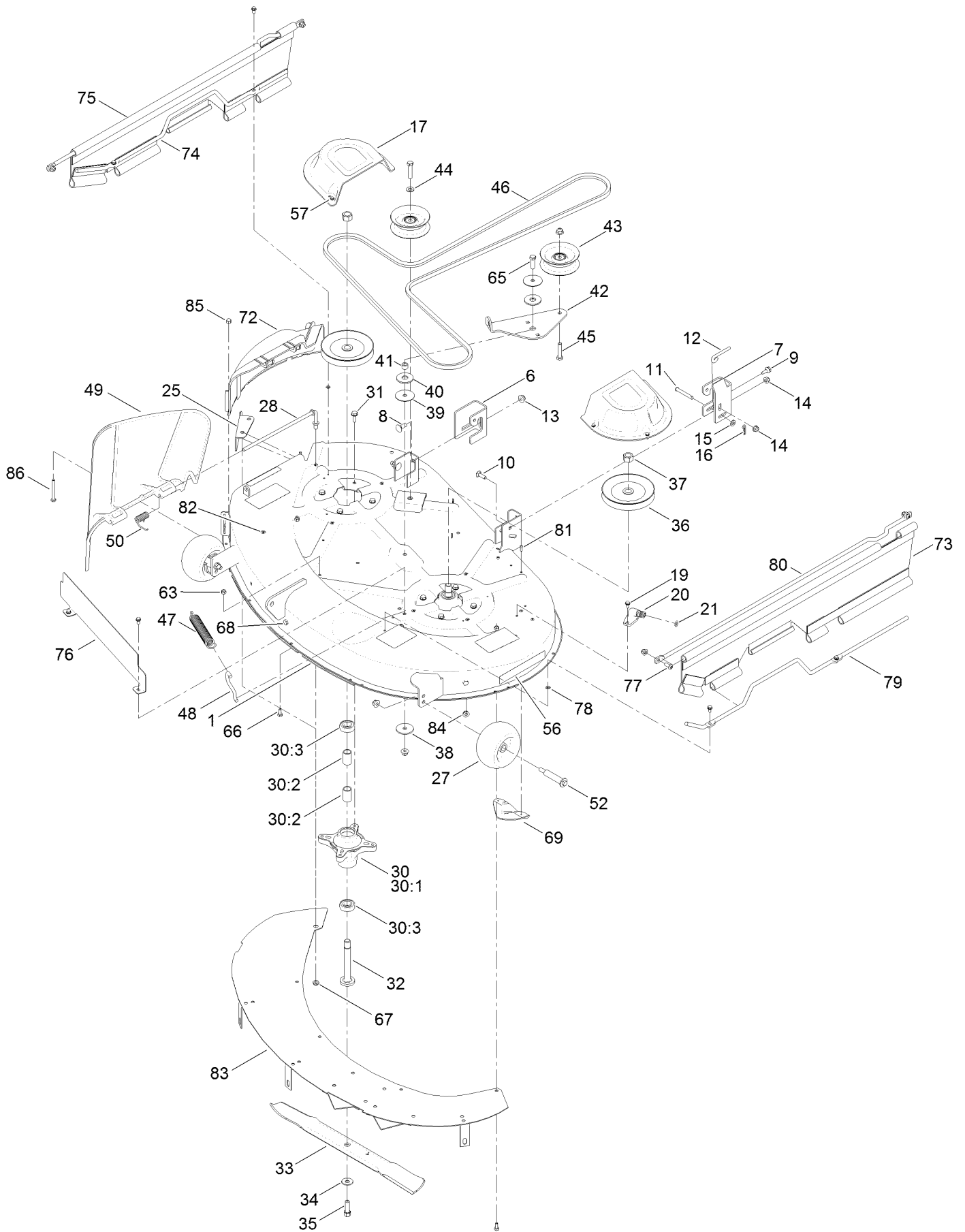


Battery and Electrical Assembly (continued)

<i>Ref.</i>	<i>Part Number</i>	<i>Qty.</i>	<i>Description</i>	<i>Ref.</i>	<i>Part Number</i>	<i>Qty.</i>	<i>Description</i>
1	136-7483	1	Harness-Wire	14	32103-22	1	Nut-Wing
1:1		1	Harness-Wire ●	15	104-2466	1	Holddown-Battery
1:1:1	109103	1	Fuse-Blade, 30 Amp	16	3220-2	2	Nut-Jam
1:1:2	109102	1	Fuse-Blade, 25 Amp	17	119-8897	1	Cable-Battery, Red
2	105-1692	1	Battery	18	121-0711	1	Cable-Battery, Positive
3	117-1197	1	Solenoid	19	119-8899	1	Cable-Battery, Black
4	117-2221	1	Switch-Ignition	21	119-3068	1	Switch-Momentary, N.O.
5	63-8360	1	Key-Ignition	22	131-3639	1	Key-Toro
8	100-3524	1	Switch-Seat	23	132-9302	1	Switch-Rocker, (On)-Off-(On)
9	32144-4	2	Screw-HWH	24	131-4136	1	Light-Indicator
10	3256-22	2	Washer-Flat	25	33003-00	1	Nut-HF
11	321-3	1	Screw-HH	26	3234-14	1	Screw-HHF
12	3229-1	1	Bolt-CARR				
13	32128-33	1	Nut-HF				

● Not serviced separately

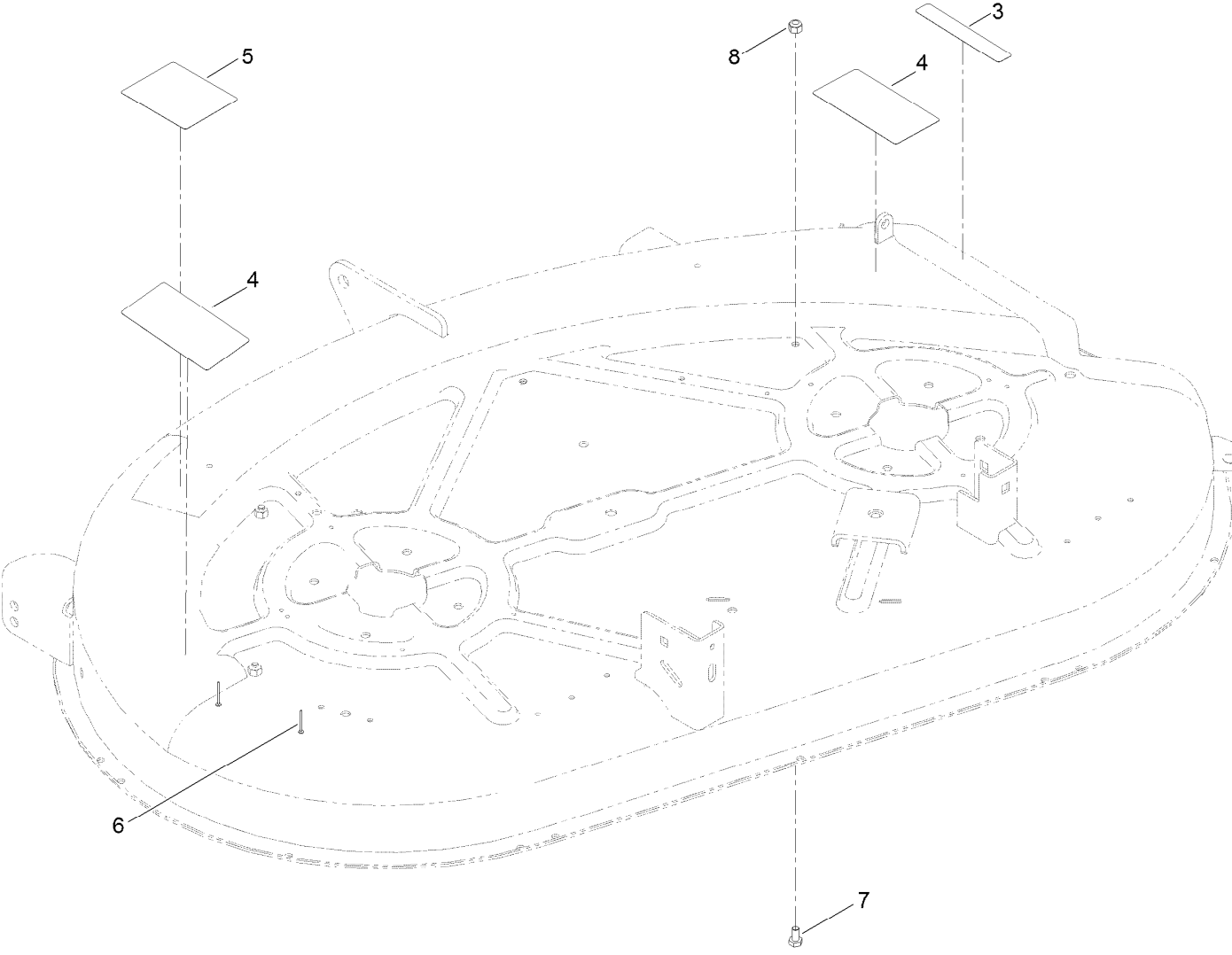
42 Inch Deck, Belt and Blade Assembly



42 Inch Deck, Belt and Blade Assembly (continued)

<i>Ref.</i>	<i>Part Number</i>	<i>Qty.</i>	<i>Description</i>	<i>Ref.</i>	<i>Part Number</i>	<i>Qty.</i>	<i>Description</i>
1	131-3604	1	42 Inch Deck And Decal ASM	41	115-4986	1	Spacer
6	131-4138	1	Bracket-Hanger, RH	42	114-8540	1	Arm-Idler
7	131-1091	1	Bracket-Hanger, LH	43	106-2175	2	Pulley-Idler, Flat
8	3231-2	2	Bolt-CARR	44	3256-24	1	Washer-Flat
9	120-7024	1	Screw-Shoulder, HHF	45	323-9	2	Screw-HH
10	3230-22	1	Screw-CARR	46	119-8819	1	V-Belt
11	110-0618	1	Pin-Clevis	47	106-2177	1	Spring-Extension
12	131-0955	1	Rod-Level, Deck	48	88-5970	1	Hook-Return, Spring
13	104-8301	6	Nut-Hex Flg	49	112-3951	1	Deflector
14	104-8300	6	Nut-Flange, NI	50	110-6694	1	Spring-Torsion
15	3256-23	1	Washer-Flat	52	112-3977	2	Bolt-Shoulder
16	1-806003	1	Pin-Cotter	56	119-2368	1	Decal-Recycler
17	108-7889	2	Cover-Belt	57	32144-1	6	Screw-Taptite
19	32144-4	8	Screw-HWH	63	3296-42	1	Nut-Lock, NI
20	95-2747	1	Fitting-Washout	65	323-7	1	Screw-HH
21	46-6290	1	O-Ring	66	321-3	4	Screw-HH
25	112-3983-03	1	Baffle-Cutoff	67	3296-59	1	Nut-Lock, NI
27	1-603299	2	Roller-Scalp, Anti	68	322-2	3	Screw-HH
28	112-4026	1	Rod-Pivot	69	76-2160	3	Plate-Kicker
30	121-0751	2	Spindle ASM	72	110-6682	1	Cover-Discharge
30:1	117-7267	1	Spindle	73	131-3669	2	Rod-Support, Upper
30:2	120-7935	2	Spacer	74	131-3682	1	Rod-Support, Lower (RH)
30:3	38-7820	2	Bearing-Ball	75	131-3698	1	RH Guard Side
31	32144-41	8	Screw-Taptite	76	131-3667-03	1	Shield-Front, Deck
32	117-7268	2	Shaft-Spindle	77	3274-55	4	Screw-HSBH
33	131-3938-03	2	Blade	78	1-803037	4	Nut-Retaining
34	3290-465	2	Washer-Belleville	79	131-3683	1	Rod-Support, Lower (LH)
35	26-0671	2	Screw-HH	80	131-3699	1	Guard-Side, LH
36	125-5574	2	Pulley	81	32144-111	6	Screw-PPH
37	3219-6	2	Nut-Hex	82	132-0900	6	Nut-Retaining
38	63-7400	1	Washer-Rebound	83	107-7316-03	1	Baffle Upper ASM
39	120-2229	2	Washer	84	32128-25	3	Nut-HF
40	114-0463	2	Washer-Friction, Composite	85	32111-7	2	Nut-Cap
				86	321-15	2	Screw-HH

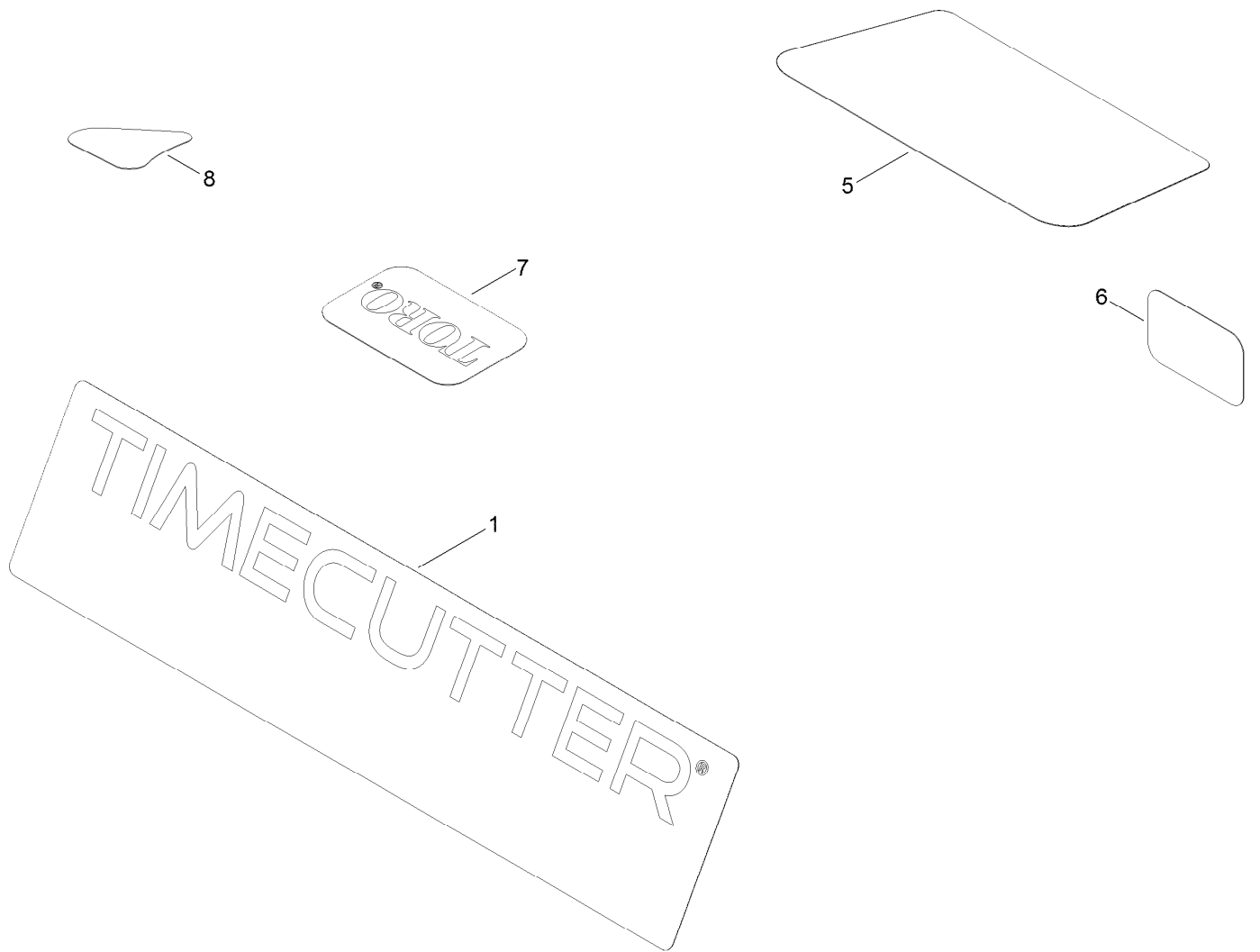
42 Inch Deck Decal Assembly No. 131-3604



42 Inch Deck Decal Assembly No. 131-3604 (continued)

<i>Ref.</i>	<i>Part Number</i>	<i>Qty.</i>	<i>Description</i>	<i>Ref.</i>	<i>Part Number</i>	<i>Qty.</i>	<i>Description</i>
3	93-7009	1	Decal-Danger	6	3290-282	2	Rivet-Blind
4	132-0872	2	Decal-Danger, Deck	7	321-2	3	Screw-HH
5	105-7015	1	Decal-Routing, Belt	8	3296-42	3	Nut-Lock, NI

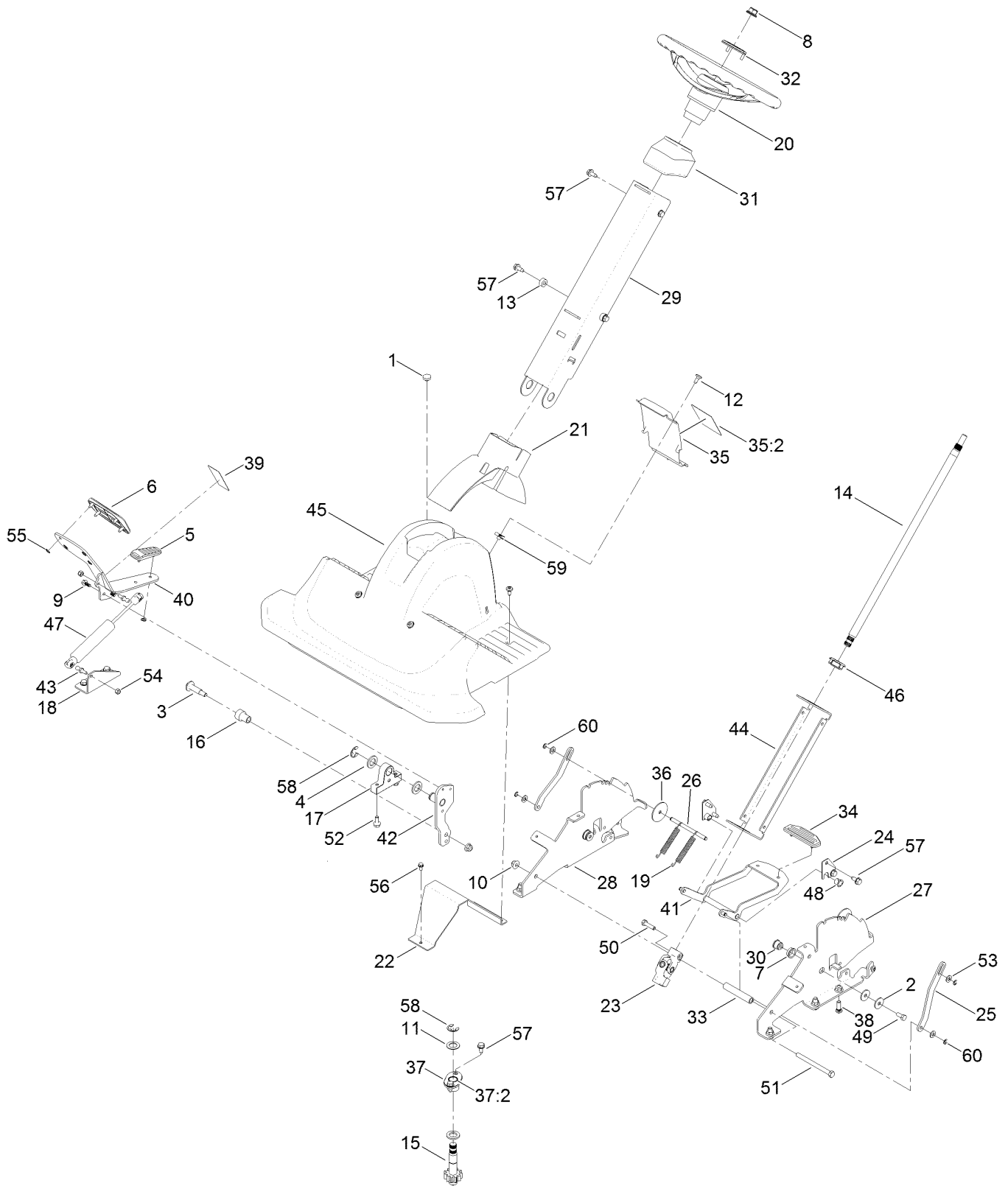
Model Specific Decal Assembly



Model Specific Decal Assembly (continued)

<i>Ref.</i>	<i>Part Number</i>	<i>Qty.</i>	<i>Description</i>	<i>Ref.</i>	<i>Part Number</i>	<i>Qty.</i>	<i>Description</i>
1	131-3657	1	Decal-Timecutter	7	131-4157	1	Decal
5	136-5597	1	Decal-Engine	8	131-1097	1	Decal-Drain, Oil
6	127-9076	1	Placard-Intake				

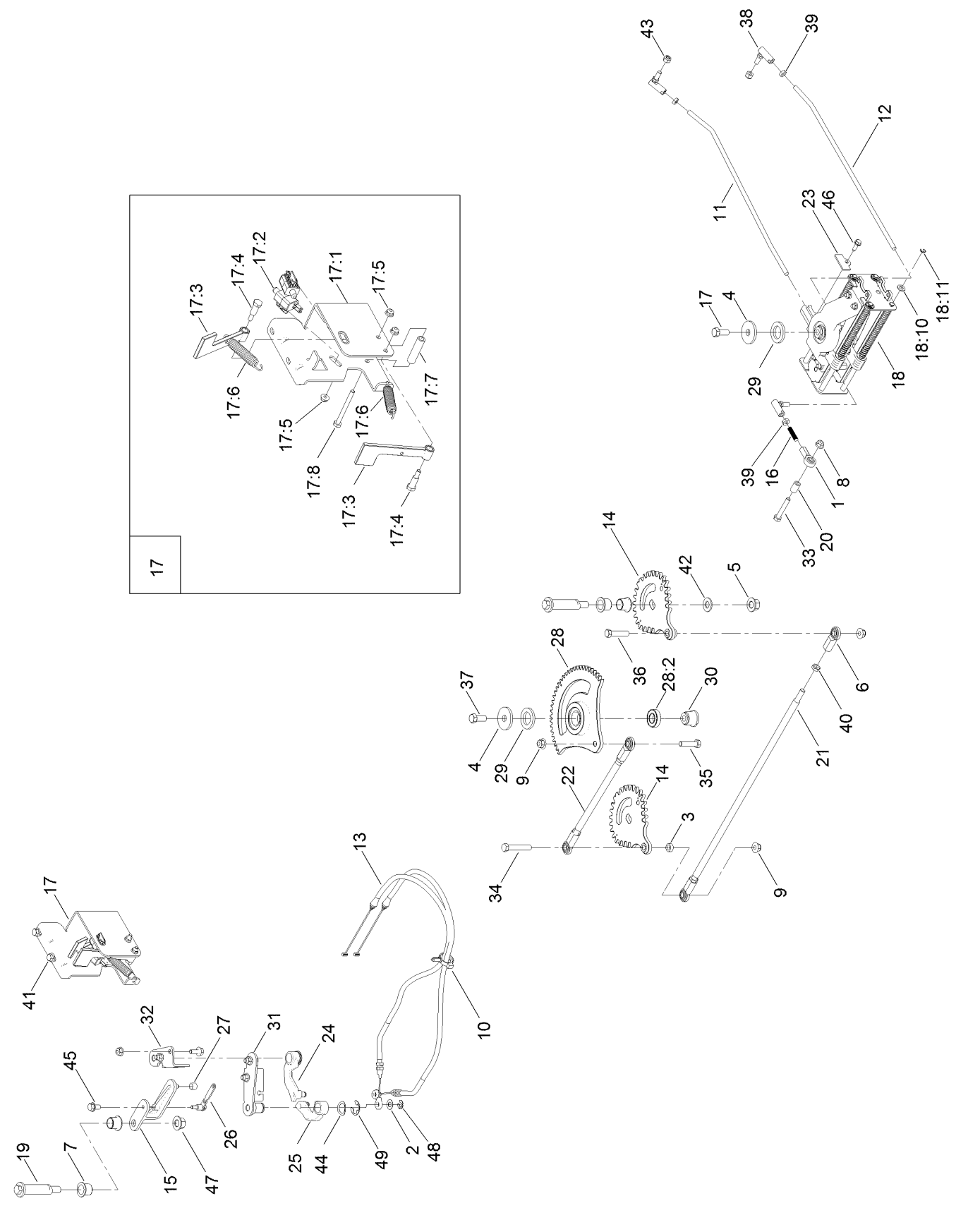
Steering Column Assembly



Steering Column Assembly (continued)

<i>Ref.</i>	<i>Part Number</i>	<i>Qty.</i>	<i>Description</i>	<i>Ref.</i>	<i>Part Number</i>	<i>Qty.</i>	<i>Description</i>
1	1-513658	1	Bumper	32	131-3630	1	Cap-Wheel, Steering
2	5-4460	5	Washer-Pivot	33	131-3697	1	Spacer
3	56-6590	1	Bolt-Wheel	34	131-4096	1	Pad-Tilt Pedal
4	70-1160	3	Washer	35	131-4099	1	Rear Cover And Decal ASM
5	98-9039	1	Pad-Heel, Hydro Pedal	35:2	132-0870	1	Decal-Danger
6	98-9040	1	Pad-Toe, Hydro Pedal	36	131-8729	2	Washer-Shaft, Tilt
7	99-4243	2	Bushing-Flange	37	131-8733	1	Flange Bearing ASM
8	99-5107	2	Nut-Lock	37:2	115-7019	1	Bushing-Straight
9	99-6810	2	Screw-HHF	38	132-0921	6	Stud-Push-In
10	104-8301	8	Nut-Hex Flg	39	132-6863	1	Decal-Release, Break
11	119-7640	1	Washer-Thrust	40	132-6865-01	1	Pedal-Traction
12	120-7950	9	Screw-Shoulder	41	132-6868	1	Release Pedal ASM
13	121-1759	2	Spacer	42	132-6907	1	Pivot Lever ASM
14	125-5507	1	Shaft-Steering, Upper	43	132-6917	2	Ball Stud
15	125-5508	1	Lower Steering Shaft ASM	44	132-9315-01	1	Column-Back
16	127-3397	1	Roller	45	133-1152	1	Shroud-Styling, Front
17	130-6887	1	Mount-Pedal Pivot	46	133-1160	1	Bearing-Spherical
18	130-6910-03	1	Bracket-Damper	47	133-1171	1	Damper-Non Cavitating
19	130-6998	2	Spring-Extension	48	256-257	2	Bushing-Nyliner
20	131-0957	1	Wheel-Steering	49	322-3	2	Screw-HH
21	131-1028	1	Cover-Pivot, Column	50	322-6	2	Screw-HH
22	131-1029-03	1	Support-Footrest	51	323-23	1	Screw-HH
23	131-1030	1	U-Joint ASM	52	3234-47	2	Screw-HHF
24	131-1043	2	Plate-Retainer	53	3256-23	4	Washer-Flat
25	131-1049	2	Plate-Plunger	54	3296-42	2	Nut-Lock, NI
26	131-1050	1	Rod-Plunger	55	32112-6	8	Nut-Push
27	131-1052-03	1	Bracket-Pivot, Column (LH)	56	32144-4	3	Screw-HWH
28	131-1053-03	1	Bracket-Pivot, Column (RH)	57	32144-70	12	Screw-HWHTF
29	131-1054-01	1	Column-Front	58	32151-48	2	E-Ring
30	131-1056	2	Spacer-Pivot, Column	59	107069	2	Clip
31	131-1066	1	Cap-Column	60	701197	4	E-Ring

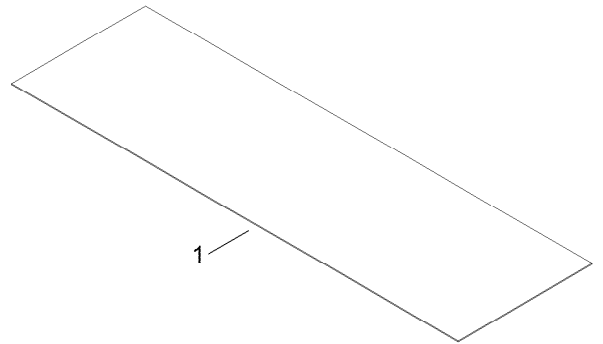
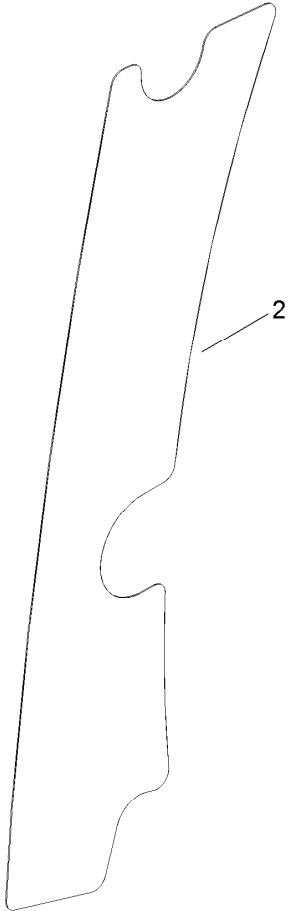
Steering Gear and Cable Assembly



Steering Gear and Cable Assembly (continued)

<i>Ref.</i>	<i>Part Number</i>	<i>Qty.</i>	<i>Description</i>	<i>Ref.</i>	<i>Part Number</i>	<i>Qty.</i>	<i>Description</i>
1	1-543017	1	Balljoint-RH	21	131-1035	1	Rod-Cross, Narrow
2	37-8080	2	Washer-Thrust	22	131-1036	1	Rod-Steering, Narrow
3	83-1050	3	Spacer	23	131-1041	2	Cover-End Rod
4	84-1560	2	Washer-Thrust	24	131-3623	1	Arm-Cable, RH
5	99-5107	3	Nut-Lock	25	131-3647	1	Arm-Cable, LH
6	103-0608	4	Joint-Ball, End	26	131-3950	1	Strap-Roller
7	103-4398	4	Bearing-Flange, Iglide	27	131-3951	2	Bushing
8	104-8300	7	Nut-Flange, NI	28	131-8731	1	Sector Gear ASM
9	104-8301	3	Nut-Hex Flg	28:2	109-3678	1	Bearing-Ball
10	105-1853	1	Clamp-Hose	29	131-8736	2	Spacer-Bearing
11	127-0115	1	Rod-Hydro, RH	30	131-8737	1	Pivot-Bearing
12	127-0116	1	Rod-Hydro, LH	31	132-6943	1	Cable Bracket ASM
13	127-0118	2	Cable-Steering	32	132-6944	1	Cable Bracket ASM
14	130-0830	2	Gear-Wheel, 30 Teeth	33	322-10	1	Screw-HH
15	130-6878	1	Lever-Cable	34	323-11	1	Screw-HH
16	130-6906	1	Rod-Threaded	35	323-8	1	Screw-HH
17	131-0903	1	Neutral Return ASM	36	323-9	1	Screw-HH
17:1	132-0909-03	1	Bracket-Switch	37	324-4	2	Screw-HH
17:2	110-6765	2	Switch	38	2411-33	3	Balljoint-RH (W/Grommet)
17:3	130-0782	2	Arm-Switch	39	3220-2	8	Nut-Jam
17:4	119-2309	2	Bolt-Shoulder	40	3220-3	4	Nut-HJ
17:5	104-7201	3	Nut-Hex Flg	41	3234-47	6	Screw-HHF
17:6	132-6915	2	Spring-Extension	42	3256-26	1	Washer-Flat
17:7	131-3976	1	Spacer	43	3296-4	3	Nut-Lock
17:8	321-14	1	Screw-HH	44	7896	2	Washer-Bowed
18	131-0904	1	Speed Control ASM	45	32144-14	1	Screw-HWHTF
18:10	131-8667	12	Washer-Thrust	46	32144-44	2	Screw-HWH, Thread Roll
18:11	32120-18	8	E-Ring	47	32144-86	1	Screw-HWHTF
19	131-1031	2	Bolt-Shoulder	48	32151-47	2	Ring-Retaining
20	131-1034	1	Spacer	49	32151-48	2	E-Ring

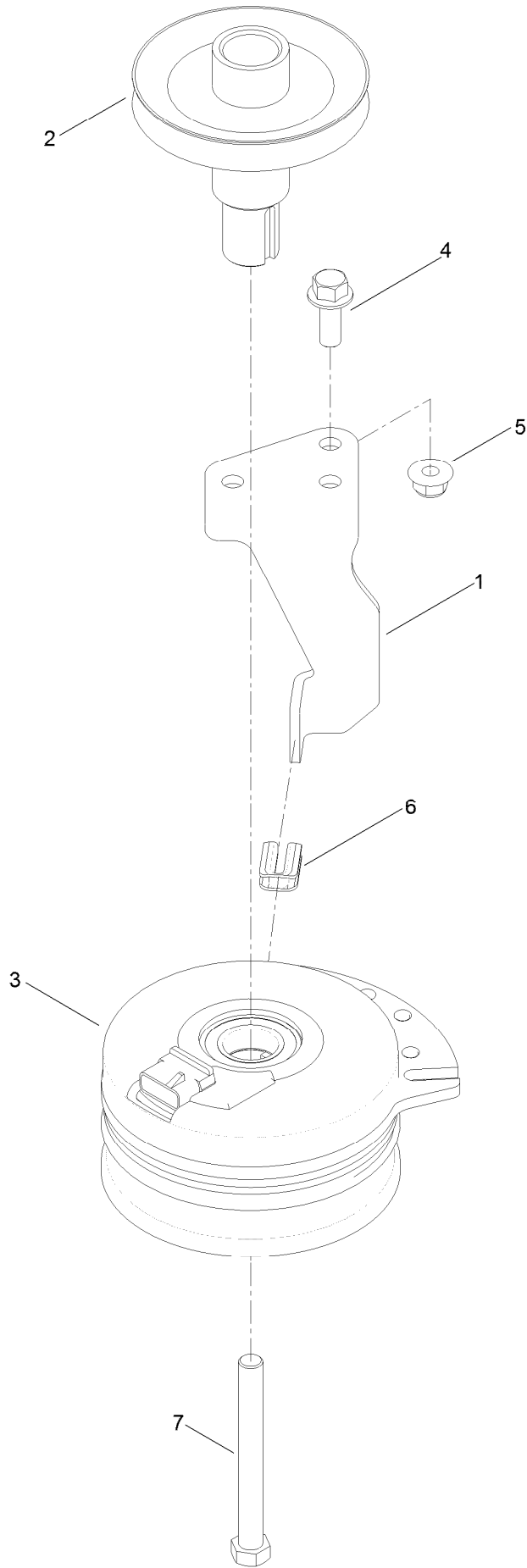
HOC and Service Decal Assembly



HOC and Service Decal Assembly (continued)

<i>Ref.</i>	<i>Part Number</i>	<i>Qty.</i>	<i>Description</i>
1	106-8717	1	Decal-Service, CE
2	120-5469	1	Decal-HOC, CE

Clutch Assembly



Clutch Assembly (continued)

<i>Ref.</i>	<i>Part Number</i>	<i>Qty.</i>	<i>Description</i>	<i>Ref.</i>	<i>Part Number</i>	<i>Qty.</i>	<i>Description</i>
1	119-8884	1	Stop-Clutch	5	104-8301	1	Nut-Hex Flg
2	130-6854	1	Pulley-Engine	6	120-2217	1	Isolator-Clutch
3	117-7468	1	Clutch-Electric	7	3212-16	1	Screw-HH
4	3234-42	1	Screw-HHF				

Attachments and Accessories

For 74675 TimeCutter SW 4200 Riding Mower

Product Name	Model/Part
42in Blowout Ring Kit.....	114-1620
Hourmeter Kit	116-5461
All Season Synthetic Oil.....	117-0066
Fuel Stabilizer (4oz).....	117-0089
Fuel Stabilizer (16oz).....	117-0090
Seat With Armrests-18in.....	119-8830
Striping Kit	120-7905
Jack Mount Kit	126-5251
Jack Kit.....	127-6666
Replacement Blade Kit	131-3939-03P
Attachment Mount Kit	131-3966
Deluxe Seat Kit	131-7699
Floor Mat Kit	132-6920
10w30 4-cycle Engine Oil (32oz Bottle)	38280
Toro 4-cycle Sae 30 Oil (32oz Bottle).....	38903
Storage Cover	490-7516
Sunshade Kit	79011
Cargo Carrier.....	79040
42in Bagger	79391

Notes:



Count on it.