



**Count on it.**

**Parts Catalog**

**53cm Mulching/Rear  
Bagging/Side Discharging  
Lawn Mower**

Model No. 29732—Serial No. 400000000 and Up



# Ordering Replacement Parts

To order replacement parts, please supply the part number, the quantity, and the description of each part desired.

## Understanding Reference Numbers

Each identified part in an illustration has a reference number. The reference number for a part also appears in the parts list, along with other information about the part.

This catalog uses two special reference number formats, one to indicate parts in a service assembly and another to indicate the quantity of a given part in an illustration.

## Service Assembly Reference Numbers

Parts in service assemblies have reference numbers in the form a:b. The a represents the reference number of the entire service assembly and the b represents a sequential number unique to each part within the service assembly.

For example, a wheel assembly might be identified by reference number 6, the tire by 6:1, the valve by 6:2, and the wheel by 6:3. When you order the assembly identified by reference number 6, you receive all parts identified by reference numbers 6:1, 6:2, and 6:3. However, you may also order any part individually. Reference numbers of this type appear in illustration and in parts lists.

## Reference Numbers Indicating Quantity

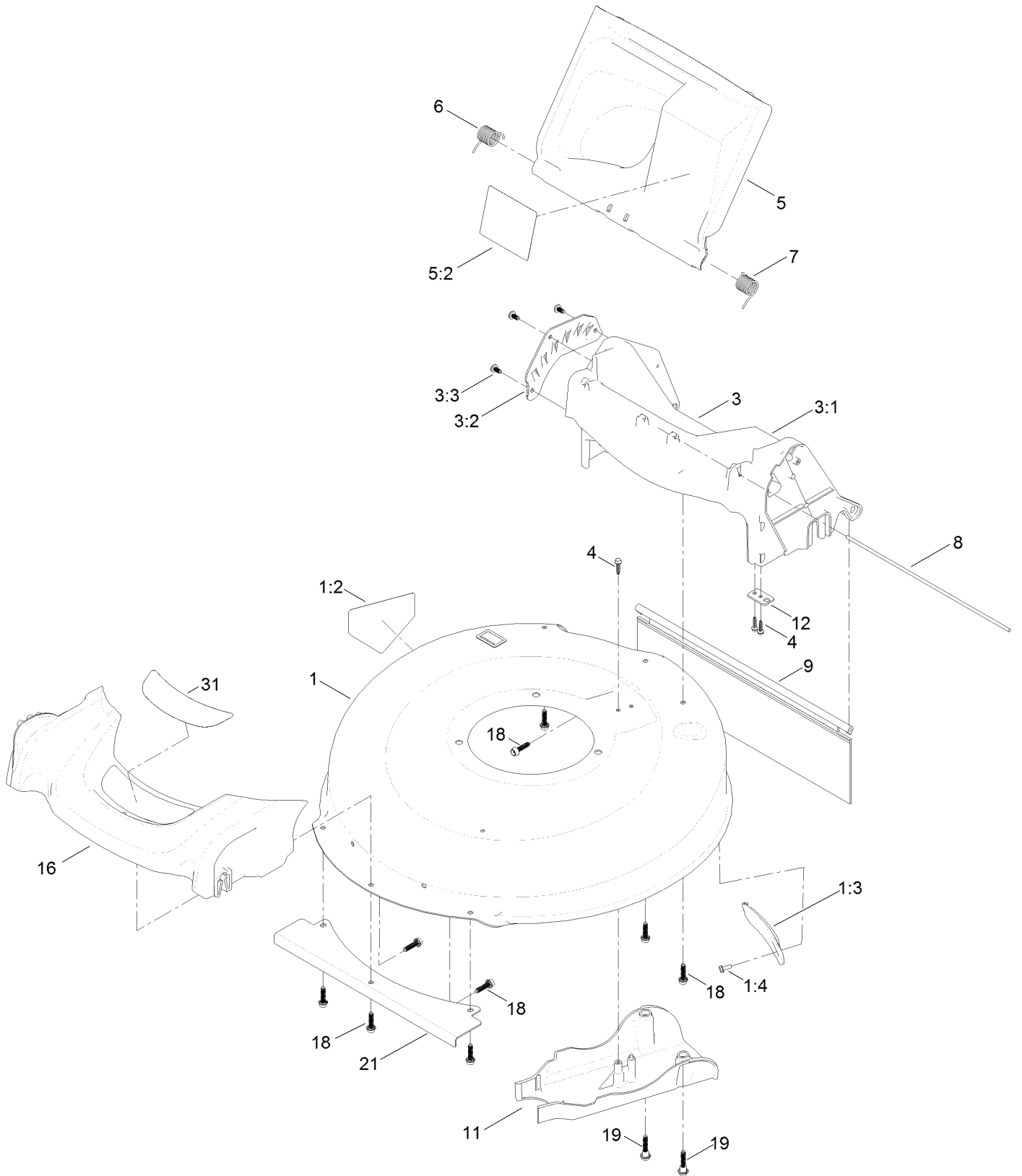
In an illustration, if a reference number indicates more than one part, the reference number has the form nX y. The n represents the quantity of the part, the X is the multiplication symbol, and the y represents the reference number.

For example, in an illustration, the reference number 2X 37 means that two of the parts identified by reference number 37 are indicated.

# Contents

Housing Assembly .....	4
Grass Bag Assembly .....	6
Engine Assembly .....	8
Front Wheel Assembly .....	10
Rear Wheel Assembly .....	12
Handle Assembly .....	14
Attachments and Accessories .....	16

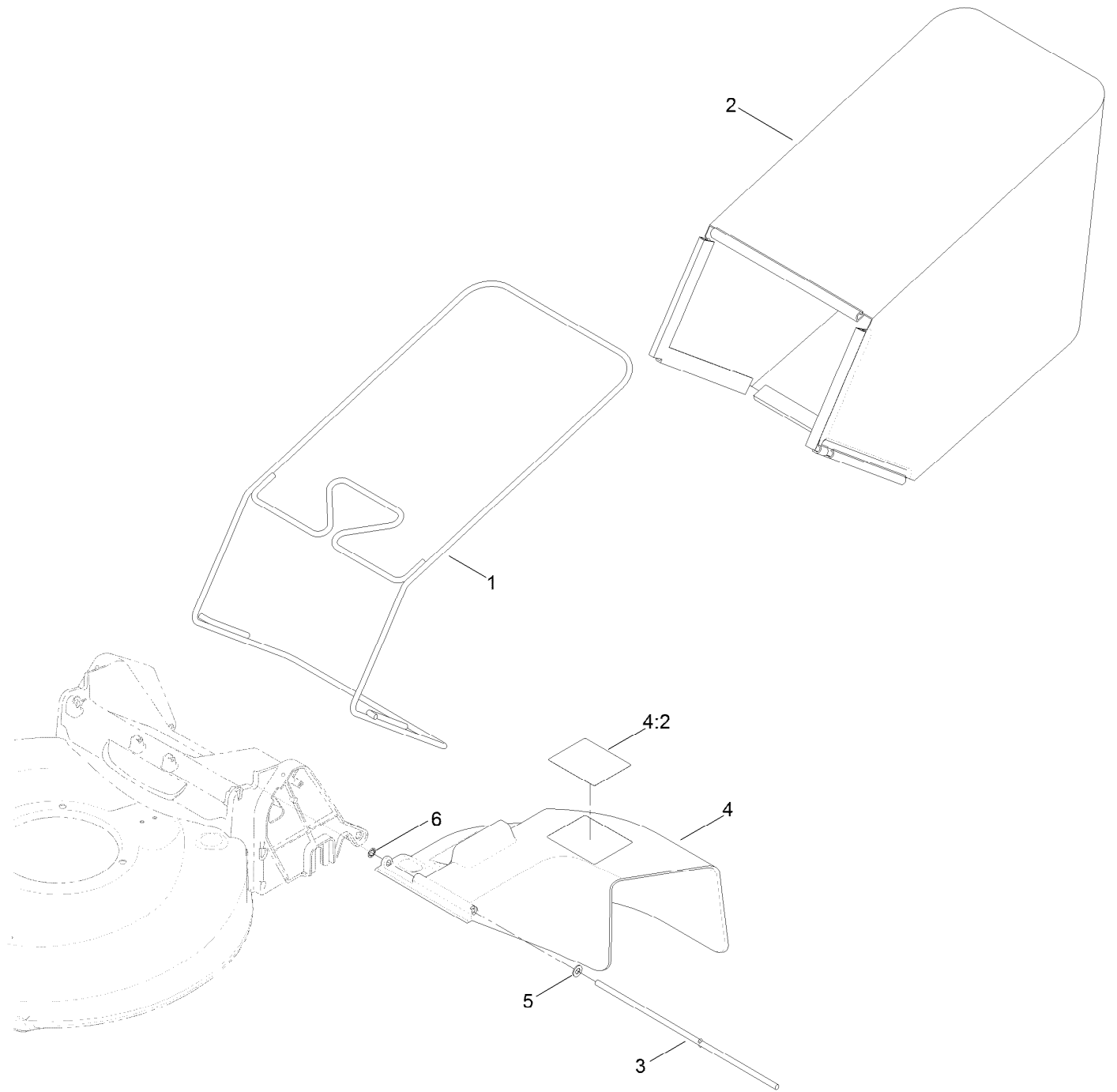
# Housing Assembly



## Housing Assembly (continued)

<i>Ref.</i>	<i>Part Number</i>	<i>Qty.</i>	<i>Description</i>	<i>Ref.</i>	<i>Part Number</i>	<i>Qty.</i>	<i>Description</i>
1	133-1939	1	Housing ASM	6	127-6807	1	Spring-Torsion
1:2	112-8760	1	Decal-Danger	7	127-6808	1	Spring-Torsion
1:3	132-4518	1	Cover-Belt	8	127-0698	1	Rod-Door
1:4	32144-1	1	Screw-Taptite	9	127-0724	1	Shield-Trailing
3	133-1913	1	Chute ASM	11	127-0723	1	Cover-Belt
3:1	133-1912	1	Chute	12	127-0730	1	Bracket-Cable
3:2	133-1905-03	1	Plate-HOC	16	127-0677	1	Bumper
3:3	133-1936	3	Screw-Bosscrew	18	130-6658	7	Screw-Flange, Serrated
4	127-6831	3	Screw-HWH	19	131-0837	2	Screw-Shoulder, HHF
5	130-2368	1	Rear Deflector ASM	21	131-0820-03	1	Shield-Front
5:2	117-4143	1	Decal-Warning	31	130-6740	1	Decal-Deck

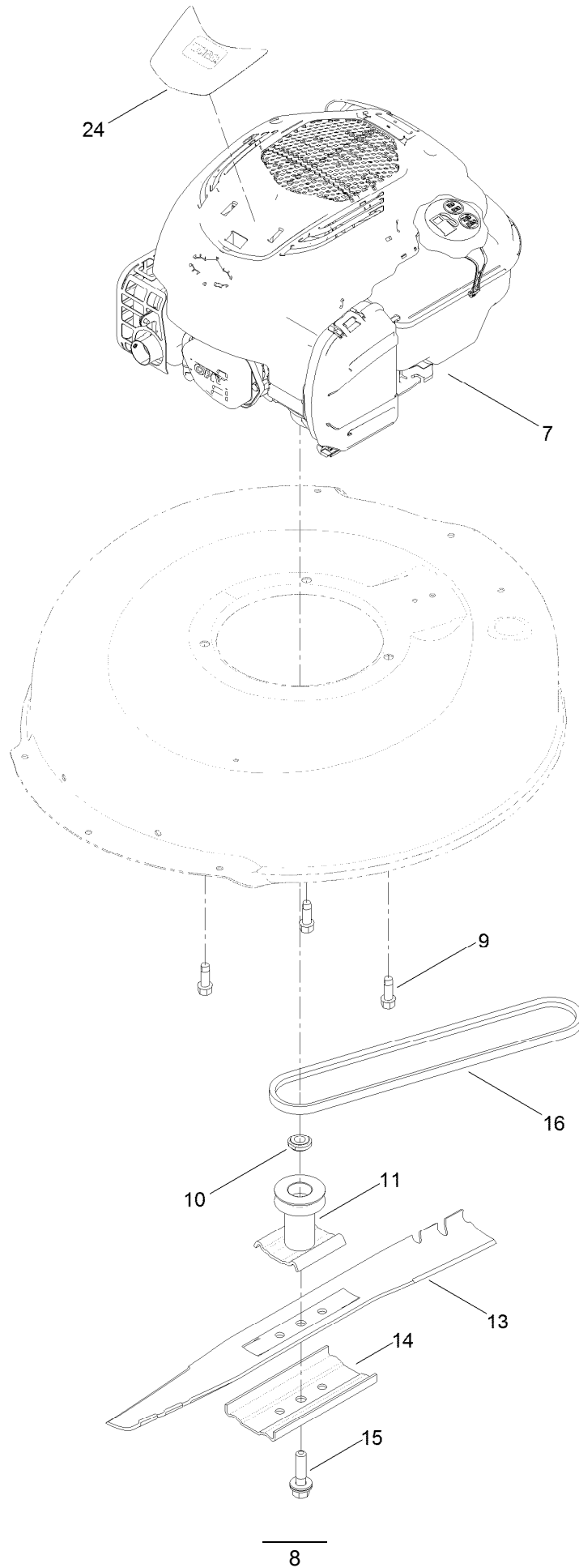
# Grass Bag Assembly



## Grass Bag Assembly (continued)

<i>Ref.</i>	<i>Part Number</i>	<i>Qty.</i>	<i>Description</i>	<i>Ref.</i>	<i>Part Number</i>	<i>Qty.</i>	<i>Description</i>
1	131-9697-03	1	Frame-Bag	4:2	117-4143	1	Decal-Warning
2	130-6744	1	Bag-Grass	5	3256-23	1	Washer-Plain
3	127-6815	1	Rod	6	32151-72	1	Ring-Retaining
4	127-6806	1	Deflector-Chute				

# Engine Assembly





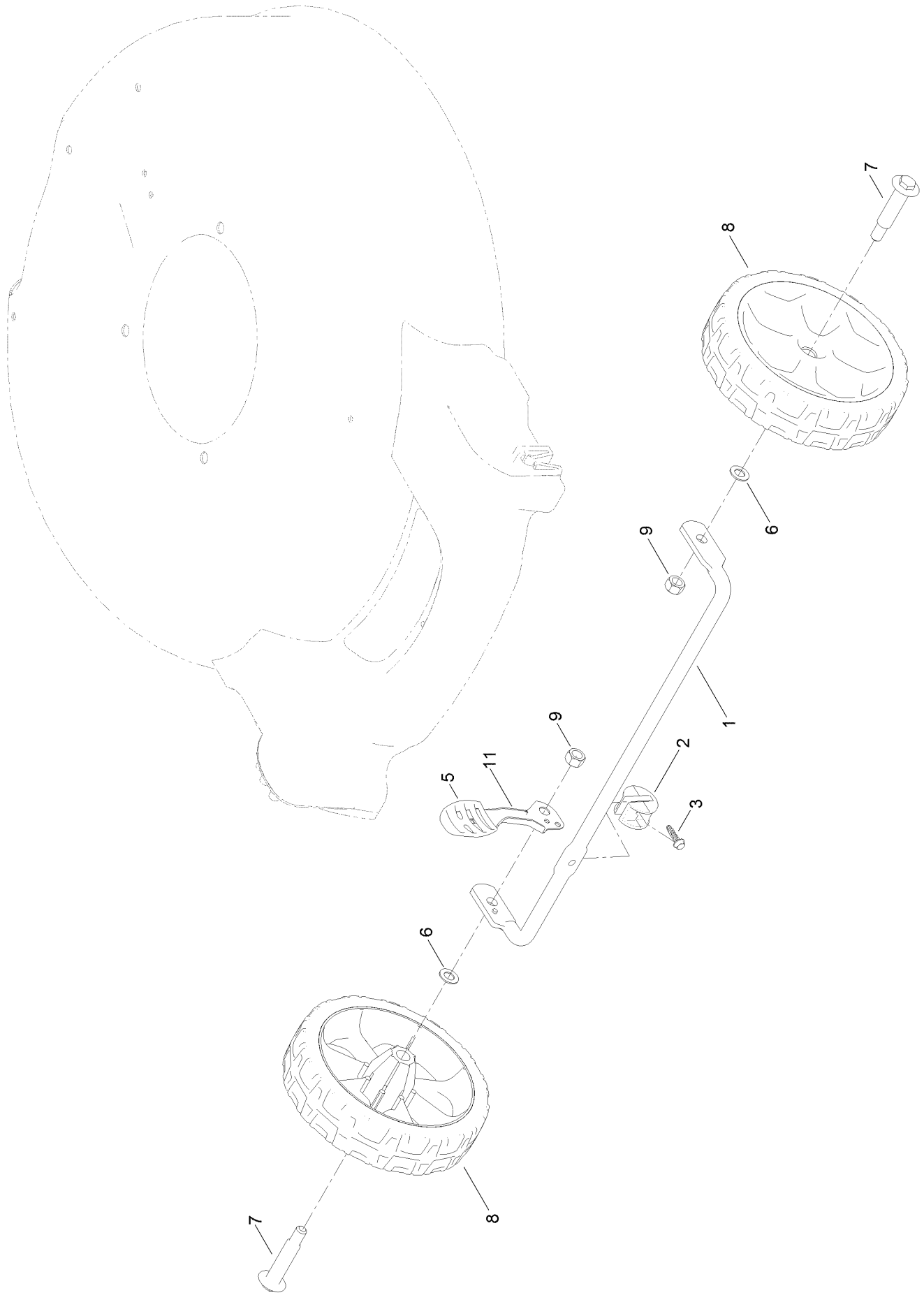
## Engine Assembly (continued)

<i>Ref.</i>	<i>Part Number</i>	<i>Qty.</i>	<i>Description</i>	<i>Ref.</i>	<i>Part Number</i>	<i>Qty.</i>	<i>Description</i>
7		1	Engine-Briggs 104M020043F1 ●■	13	108-0954-03	1	Blade-21 Inch
9	95-1726	3	Screw-Taptite	14	108-3766-03	1	Support-Blade
10	106-3999	1	Spacer-Driver	15	125-2466	1	Bolt-Blade
11	106-3987	1	Driver-Blade	16	110-9429	1	V-Belt
				24	132-4472	1	Decal-Shroud

● Not serviced separately

■ Obtain parts from [www.briggsandstratton.com](http://www.briggsandstratton.com)

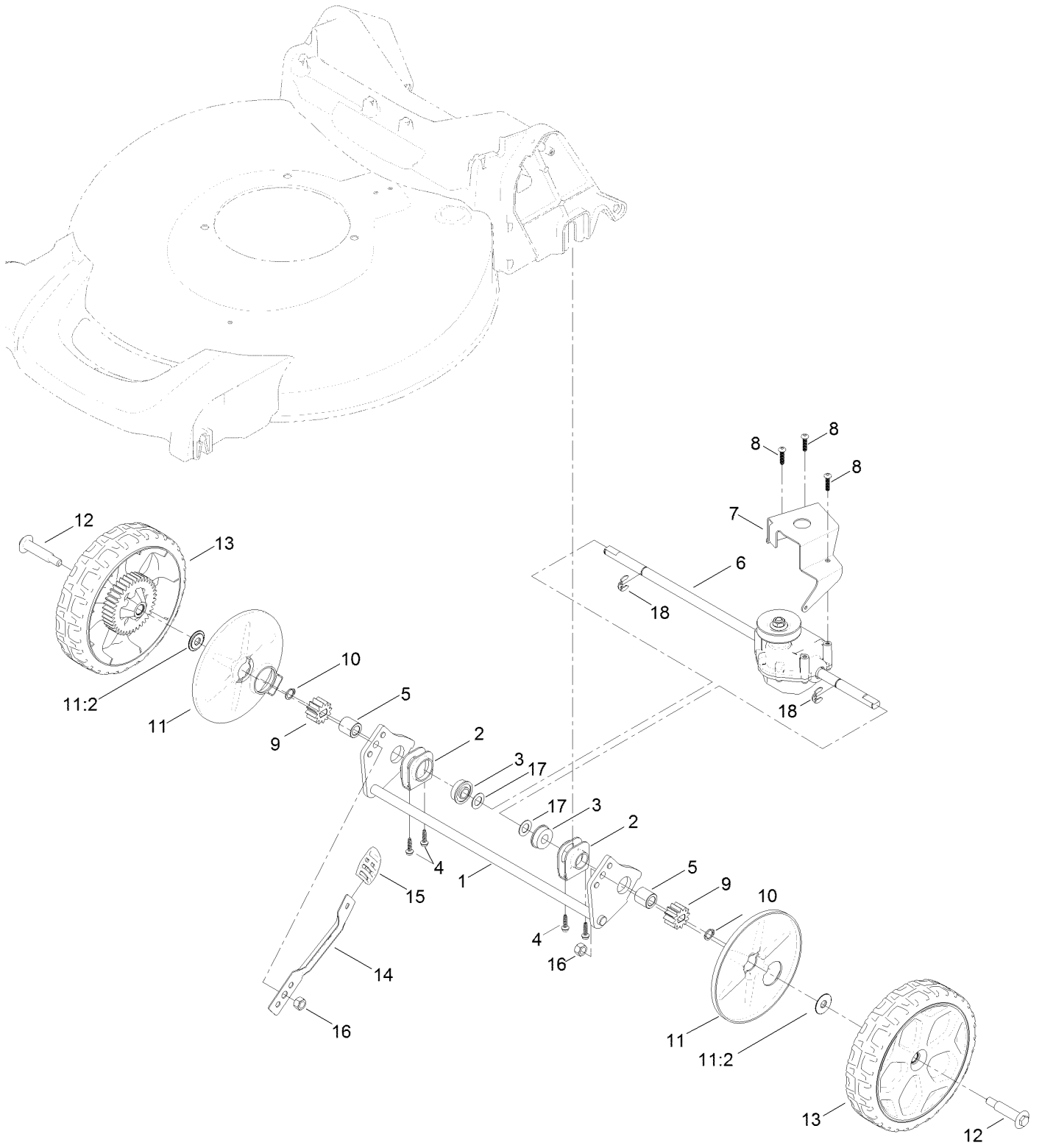
# Front Wheel Assembly



## Front Wheel Assembly (continued)

<i>Ref.</i>	<i>Part Number</i>	<i>Qty.</i>	<i>Description</i>	<i>Ref.</i>	<i>Part Number</i>	<i>Qty.</i>	<i>Description</i>
1	127-0668-03	1	Axle-Front	7	92-1057	2	Bolt-Shoulder
2	127-6800	1	Stop-Axle	8	127-0683	2	7 Inch Wheel ASM
3	127-6831	1	Screw-HWH	9	125-5069	2	Nut-Hex
5	105-3042	1	Knob-Lever, HOC	11	133-8154	1	Arm-Spring
6	40-1940	2	Washer				

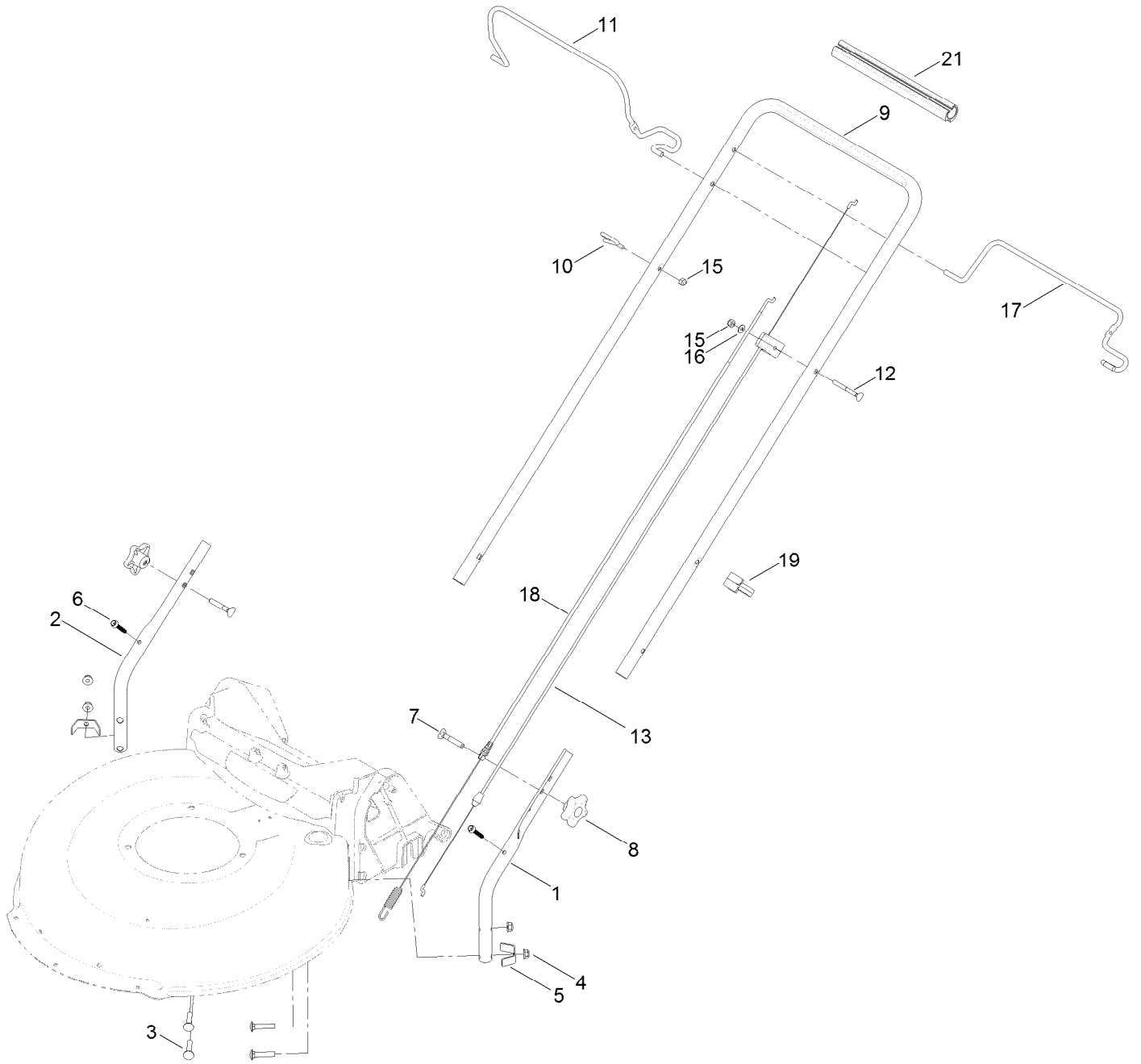
# Rear Wheel Assembly



## Rear Wheel Assembly (continued)

<i>Ref.</i>	<i>Part Number</i>	<i>Qty.</i>	<i>Description</i>	<i>Ref.</i>	<i>Part Number</i>	<i>Qty.</i>	<i>Description</i>
1	127-0708-03	1	Axle-Rear	11	127-6840	2	Wheel Cover ASM
2	127-0707	2	Retainer-Bearing	11:2	614426	1	Washer-Stepped
3	104-8699	2	Bearing-Ball	12	92-1057	2	Bolt-Shoulder
4	127-6831	4	Screw-HWH	13	127-0692	2	8 Inch Wheel Gear ASM
5	127-6896	2	Bushing-Sleeve	14	127-0711	1	Arm-Spring
6	131-0881	1	Transmission	15	105-3042	1	Knob-Lever, HOC
7	114-7977-03	1	Bracket-Transmission	16	125-5069	2	Nut-Hex
8	108-7476	3	Screw-Plastite	17	36-4780	2	Washer-Plain
9	115-4668	2	Gear-Pinion	18	65-2720	2	Ring-Clip, Locking
10	32151-61	2	Ring-Retaining				

# Handle Assembly



## Handle Assembly (continued)

<i>Ref.</i>	<i>Part Number</i>	<i>Qty.</i>	<i>Description</i>	<i>Ref.</i>	<i>Part Number</i>	<i>Qty.</i>	<i>Description</i>
1	127-0657-05	1	Handle-Lower, LH	11	127-0718-03	1	Bail-Brake
2	127-0658-05	1	Handle-Lower, RH	12	92-2270	1	Screw-Handle
3	130-6654	4	Bolt-CARR	13	112-8818	1	Cable-Brake
4	130-6655	4	Nut-Flange, NI	15	3296-73	2	Nut-Lock, NI
5	127-0699	2	Bracket-Chute	16	3256-1	1	Washer-Flat
6	130-6659	2	Screw-Flange, Serrated	17	127-0719-03	1	Bail-Traction
7	92-2260	2	Screw-Handle	18	127-0733	1	Cable-Traction
8	117-5976	2	Knob-Handle	19	114-7988	1	Guide-Cable
9	127-0659-05	1	Handle-Upper	21	120-5216	1	Grip-Handle, Comfort
10	86-9671	1	Guide-Rope				

# Attachments and Accessories

## For 29732 53cm Mulching/Rear Bagging/Side Discharging Lawn Mower

**Product Name**

**Model/Part**

Side-Discharge Deflector, 2013 and After 21in Steel Deck Mower ..... 136-7060



**Notes:**

**Notes:**

**Notes:**



**Count on it.**