



Count on it.

Parts Catalog

Sand Pro® 3040

Traction Unit

Model No. 08703—Serial No. 40000000 and Up



Ordering Replacement Parts

To order replacement parts, please supply the part number, the quantity, and the description of each part desired.

Understanding Reference Numbers

Each identified part in an illustration has a reference number. The reference number for a part also appears in the parts list, along with other information about the part.

This catalog uses two special reference number formats, one to indicate parts in a service assembly and another to indicate the quantity of a given part in an illustration.

Service Assembly Reference Numbers

Parts in service assemblies have reference numbers in the form a:b. The a represents the reference number of the entire service assembly and the b represents a sequential number unique to each part within the service assembly.

For example, a wheel assembly might be identified by reference number 6, the tire by 6:1, the valve by 6:2, and the wheel by 6:3. When you order the assembly identified by reference number 6, you receive all parts identified by reference numbers 6:1, 6:2, and 6:3. However, you may also order any part individually. Reference numbers of this type appear in illustration and in parts lists.

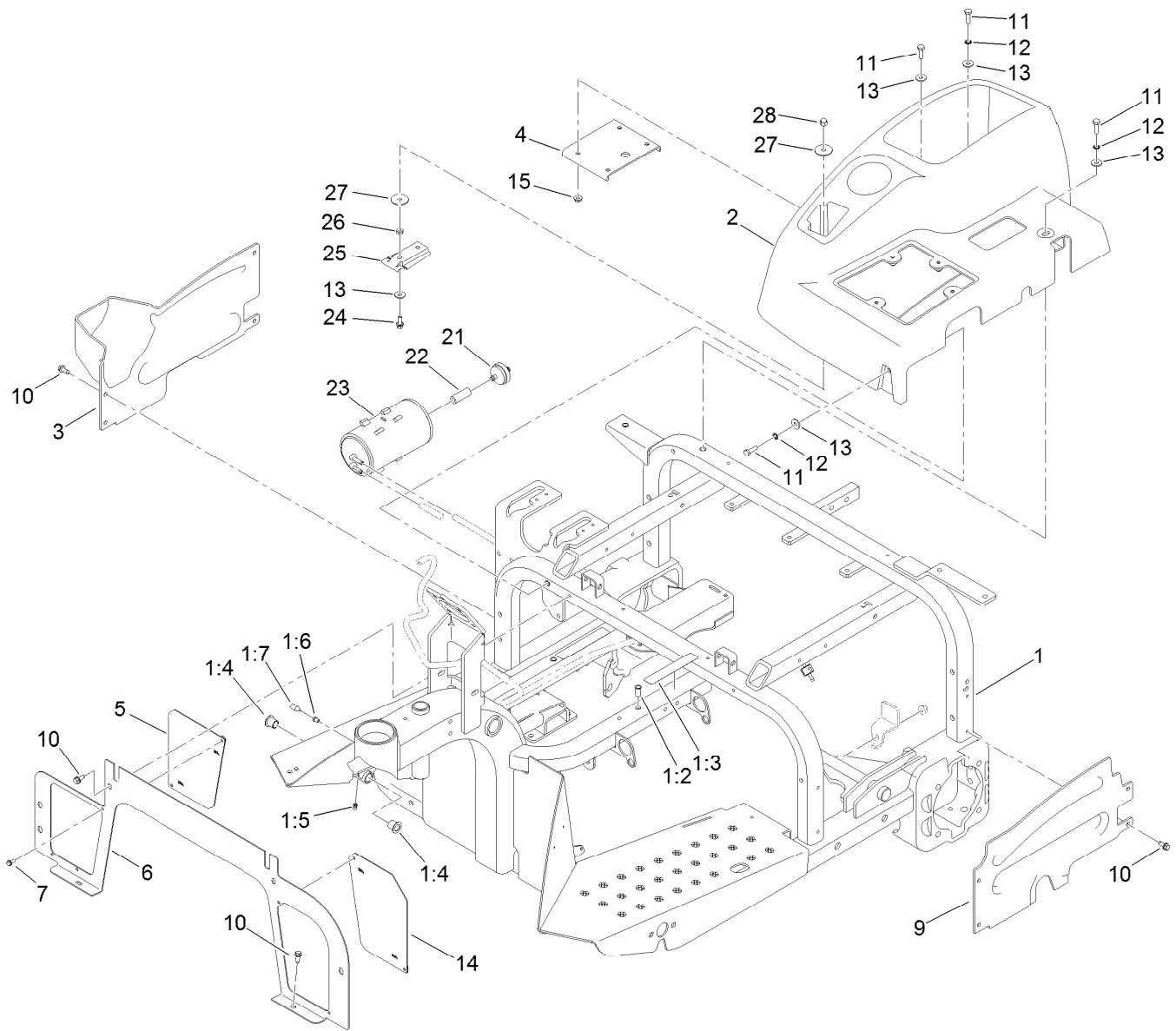
Reference Numbers Indicating Quantity

In an illustration, if a reference number indicates more than one part, the reference number has the form nX y. The n represents the quantity of the part, the X is the multiplication symbol, and the y represents the reference number.

For example, in an illustration, the reference number 2X 37 means that two of the parts identified by reference number 37 are indicated.

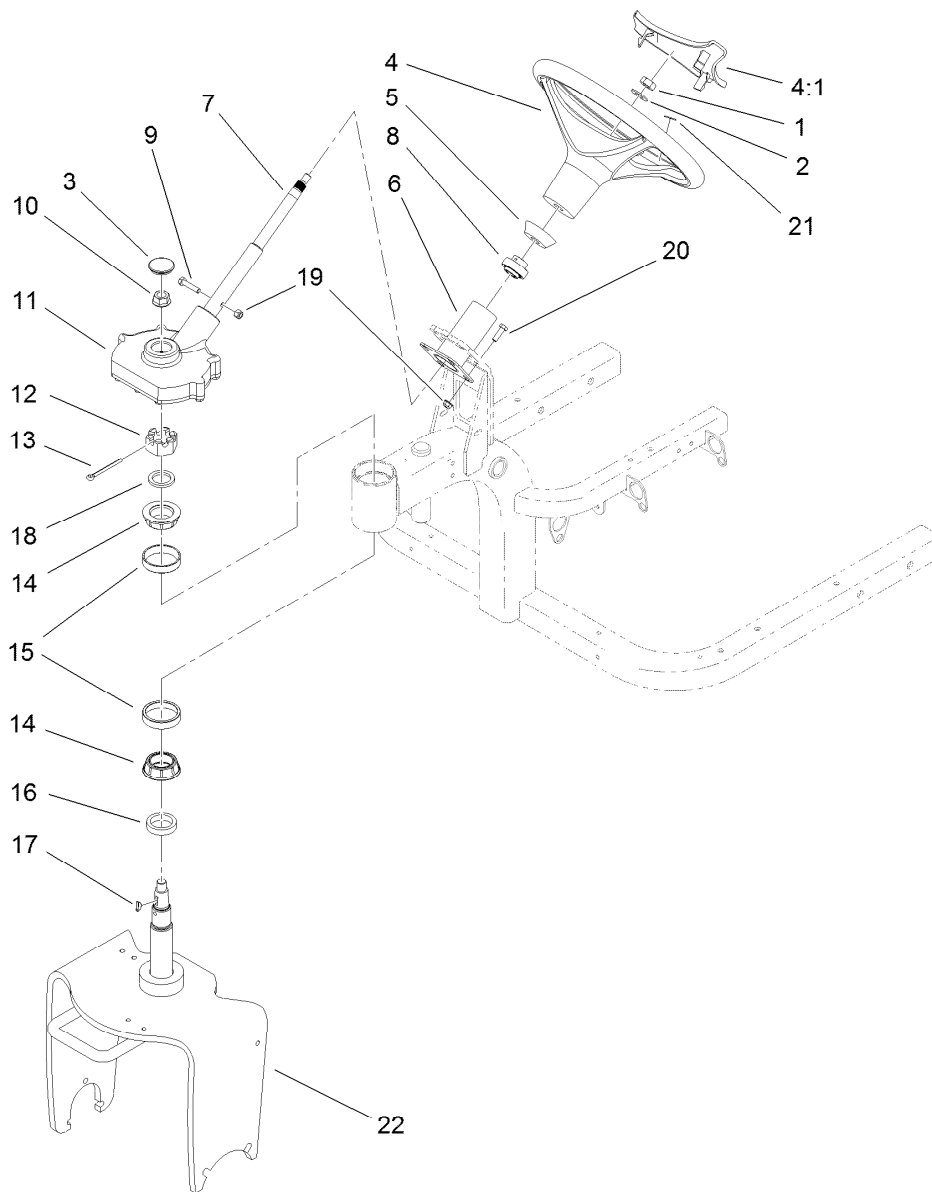
Contents

Frame and Console Assembly	4
Steering Assembly	5
Steering Box Assembly No. 107-3526	6
Front Wheel Assembly	7
Hydraulic Motor Assembly No. 108-2948	8
Rear Wheel Assembly	9
Hydraulic Motor Assembly No. 108-2949	10
Hydraulic Motor Assembly No. 108-2947	11
Traction Pedal Assembly	12
Pump Control Lever Assembly	13
Engine Installation Assembly	14
Pump and Coupling Assembly	15
Variable Piston Pump Assembly No. 132-4350	16
Fuel Tank and Battery Assembly	18
Hydraulic Tank, Filter and Cooler Assembly	20
Seat and Shroud Assembly	21
Lift Valve and Rear Tube Assembly	22
Wire Harness, Air Cleaner and Hose Assembly	24
Air Cleaner Assembly No. 93-2190	25
Rear Hitch Assembly	26
Hydraulic Lift Cylinder Assembly No. 115-5647	27
Attachments and Accessories	28



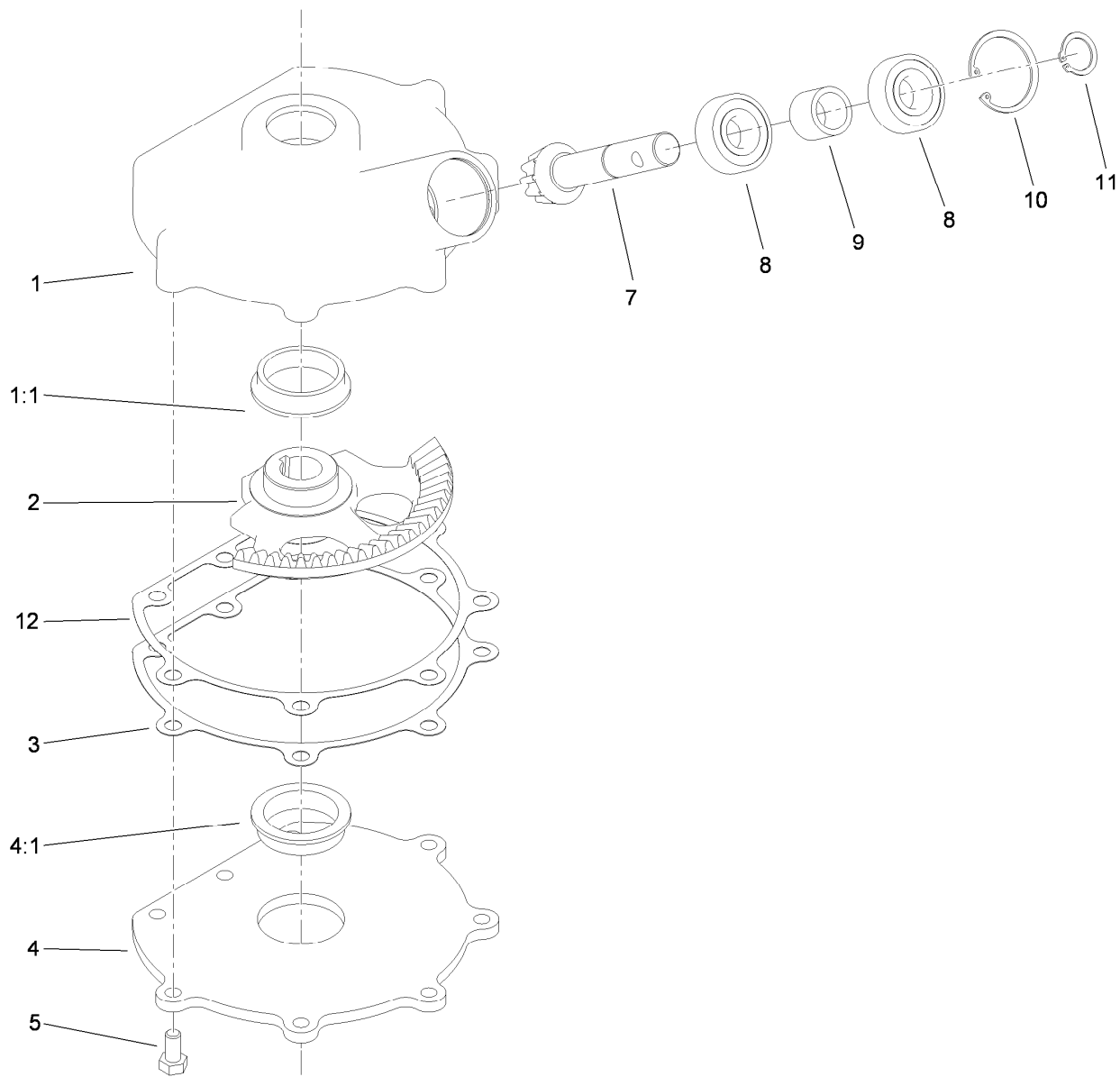
Frame and Console Assembly

<i>Ref.</i>	<i>Part Number</i>	<i>Qty.</i>	<i>Description</i>	<i>Ref.</i>	<i>Part Number</i>	<i>Qty.</i>	<i>Description</i>
1	110-3367	1	Frame ASM	10	32144-10	12	Screw-HWH
1:2	32148-11	5	Insert-Threaded	11	321-5	7	Screw-HH
1:3	93-7272	2	Decal-Warning	12	3254-8	3	Washer-Lock
1:4	256-219	2	Bushing	13	3256-78	8	Washer-Flat
1:5	302-58	1	Fitting-Straight	14	120-3491-01	1	Screen-Panel, LH
1:6	107-1997	1	Fitting-Grease	15	32128-33	4	Nut-HF
1:7	107-1998	1	Nozzle-Grease	21	115-7854	1	Filter-Fuel, Inline
2	108-2936	1	Console	22	106-5317	1	Hose-Fuel
3	108-6855	1	Shroud-Wheel, RH	23	127-8685	1	Canister-Carbon
4	108-7995-03	1	Plate-Support, Console	24	3234-33	1	Screw-HHF
5	120-3492-01	1	Screen-Panel, RH	25	114-0292	1	Bracket-Canister, Carbon
6	112-1443-01	1	Panel-Front	26	3218-1	1	Nut-Jam
7	3290-321	4	Screw-HWH	27	3256-57	2	Washer-Flat
9	108-6856	1	Shroud-Wheel, LH	28	32111-7	1	Nut-Cap



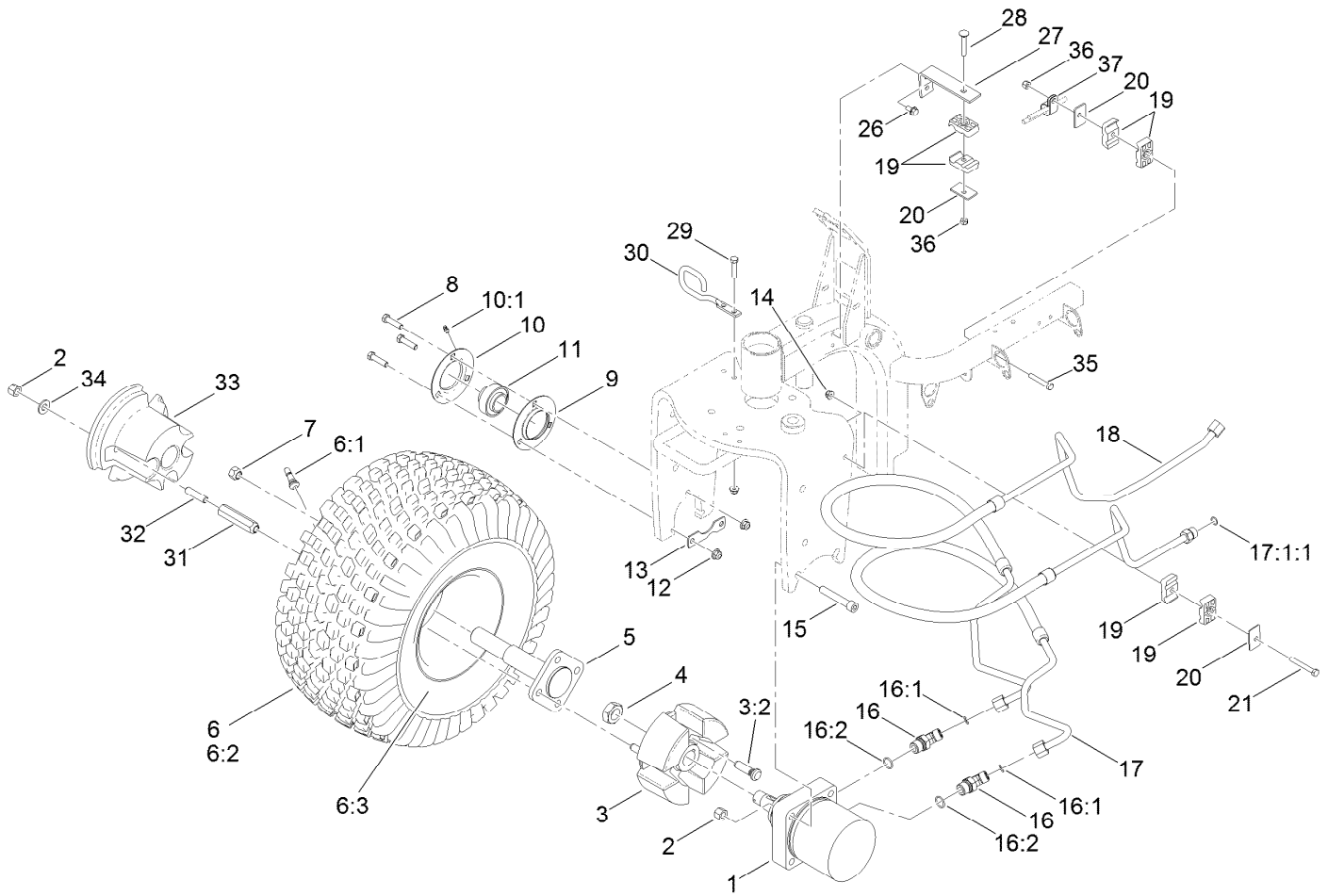
Steering Assembly

<i>Ref.</i>	<i>Part Number</i>	<i>Qty.</i>	<i>Description</i>	<i>Ref.</i>	<i>Part Number</i>	<i>Qty.</i>	<i>Description</i>
1	3296-33	1	Nut-Lock, NI	12	32136-9	1	Nut-Hex, Slotted
2	3256-27	1	Washer-Flat	13	3272-37	1	Pin-Cotter
3	107-3532	1	Grommet	14	107-7589	2	Cone-Bearing (W/ Seal)
4	98-1471	1	Wheel-Steering	15	107-7590	2	Cup-Bearing
4:1	98-1468	1	Cover-Wheel, Steering	16	108-5432	1	Spacer-Bearing
5	93-5429	1	Collar-Foam	17	3257-5	1	Key-Woodruff
6	107-3540-03	1	Tube	18	115-5639	1	Washer-Steering
7	107-3533	1	Shaft-Steering	19	104-8300	5	Nut-Flange, NI
8	106-8448	1	Bearing-Race, Extended	20	322-5	4	Screw-HH
9	322-7	1	Screw-HH	21	98-1459	1	Decal
10	32128-54	1	Nut-HF	22	107-3543-01	1	Fork ASM
11	107-3526	1	Steering Box ASM				



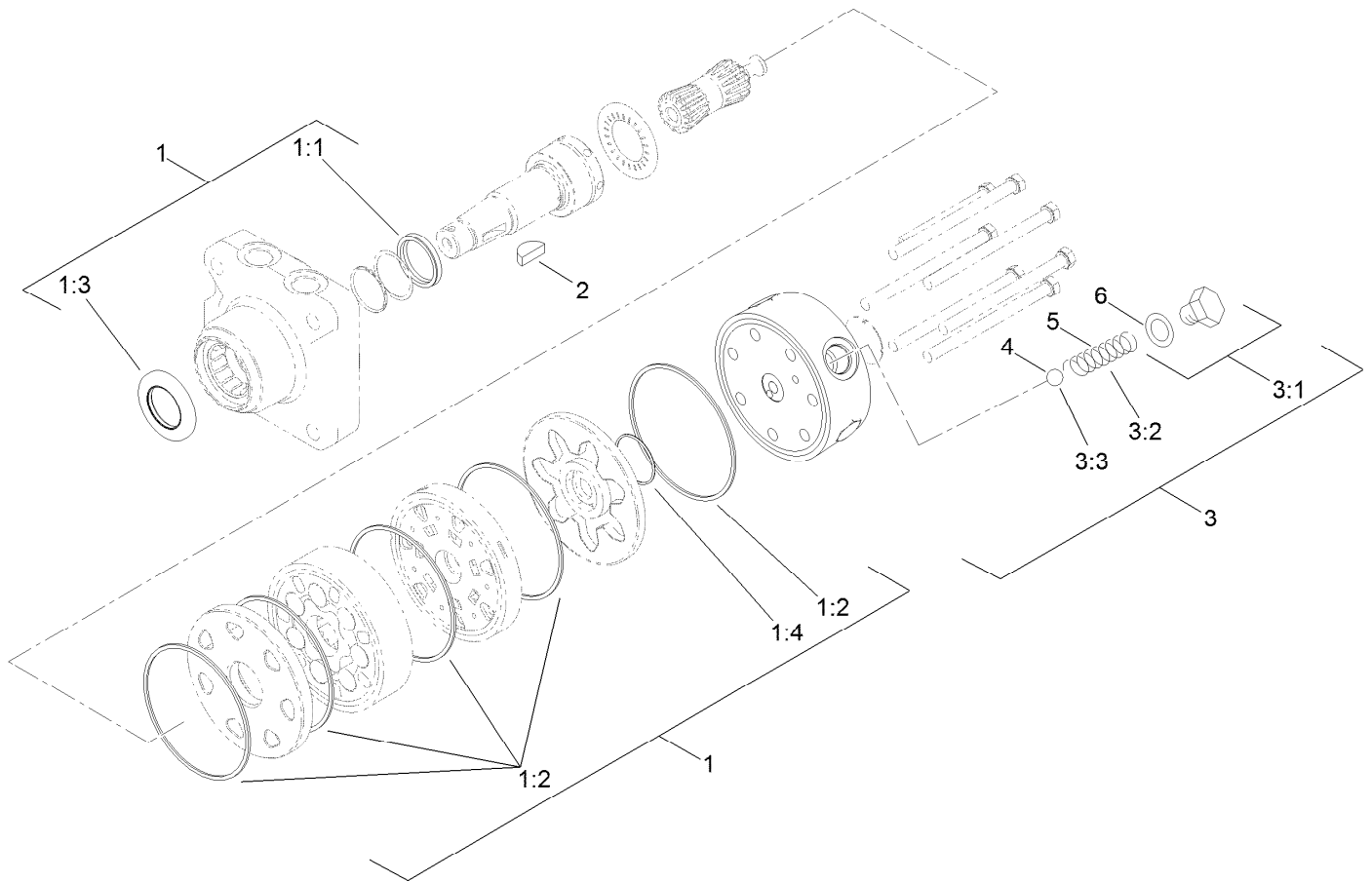
Steering Box Assembly No. 107-3526

Ref.	Part Number	Qty.	Description
1	108-4520	1	Steering Cover ASM
1:1	92-6869	1	Bushing
2	107-3520	1	Gear-Sector
3	107-3529	1	Gasket-Steering
4	107-3524	1	Steering Plate ASM
4:1	92-6869	1	Bushing
5	322-2	8	Screw-HH
7	107-3527	1	Gear-Pinion
8	38-7820	2	Bearing-Ball
9	108-4502	1	Spacer
10	107-3530	1	Ring-Retaining
11	32151-12	1	Ring-Retaining
12	108-8442	3	Shim-Plate, Steering



Front Wheel Assembly

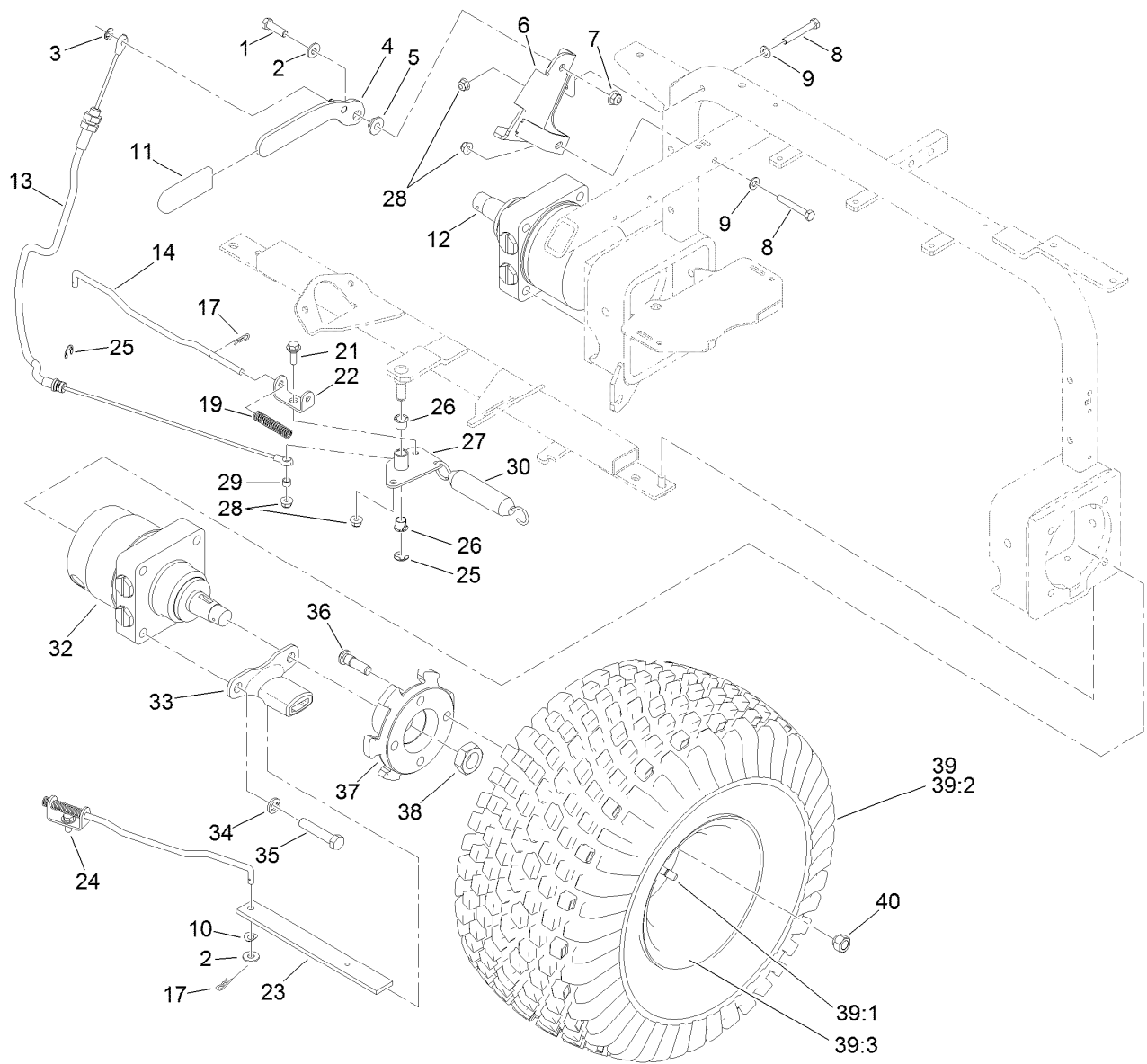
Ref.	Part Number	Qty.	Description	Ref.	Part Number	Qty.	Description
1	108-2948	1	HYD Motor ASM (CW)	16:1	237-30	1	O-Ring
2	3296-23	4	Nut-Lock, NI	16:2	237-80	1	O-Ring
3	110-6310	1	Front Wheel Hub ASM	17	119-6747	1	HYD Hose ASM
3:2	10-6830	4	Stud-Type, Drive	17:1:1	237-30	1	O-Ring
4	26-3790	1	Nut-Lock	18	119-6742	1	HYD Hose ASM
5	110-6314	1	Spindle	19	56-7976	6	Clamp-Tube
6	95-0621	1	Wheel And Tire ASM	20	69-9760	3	Coverplate
6:1	5108	1	Valve	21	322-12	1	Screw-HH
6:2	85-8290	1	Tire-2Ply, Knobby	26	32144-14	2	Screw-HWHTF
6:3	94-6116	1	Wheel-Rear	27	108-8455-01	1	Bracket-Clamp
7	242-50	2	Nut-Lug	28	3230-6	1	Screw-CARR
8	323-8	3	Screw-HH	29	322-7	2	Screw-HH
9	85-8950	1	Flangette-Standard	30	130-7873	1	Guide-Hose
10	85-8940	1	Flangette-Relube	31	107-3399	2	Adapter-Weight, Wheel
10:1	302-5	1	Fitting-Grease	32	110-6311	2	Stud
11	251-352	1	Bearing	33	110-6312-03	1	Weight
12	104-8301	3	Nut-Flange, NI	34	87-7270	2	Washer-Thrust
13	88-8350	1	Tab-Bearing	35	322-10	1	Screw-HH
14	104-8300	3	Nut-Flange, NI	36	3296-29	2	Nut-Lock, NI
15	3274-93	2	Screw-HSH	37	2412-41	1	Clamp
16	340-89	2	Fitting-HYD, 45 DEG				



Hydraulic Motor Assembly No. 108-2948

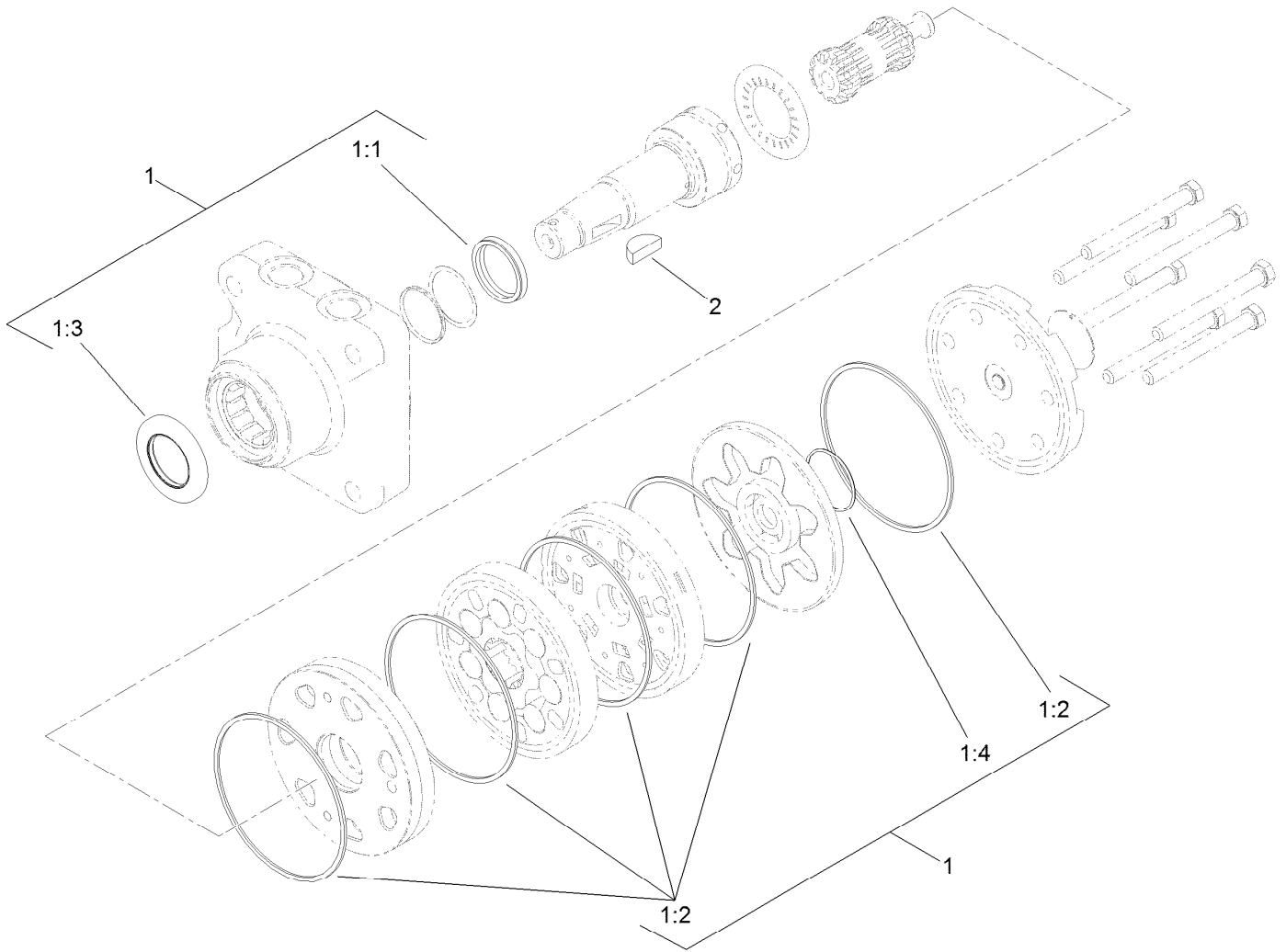
Ref.	Part Number	Qty.	Description
1	110-6459	1	Seal Kit
1:1		1	Seal-Shaft ●
1:2		5	Seal-Body ●
1:3		1	Seal-Dirt/Water ●
1:4		1	Seal-Commutator ●
2	3257-42	1	Key-Woodruff
3	99-3538	1	End Cover ASM
3:1		1	Spring Cap And O-Ring ASM ●
3:2	99-3541	1	Spring
3:3	99-3540	1	Ball
4	99-3540	1	Ball
5	99-3541	1	Spring
6	132-4421	1	O-Ring

● Not serviced separately



Rear Wheel Assembly

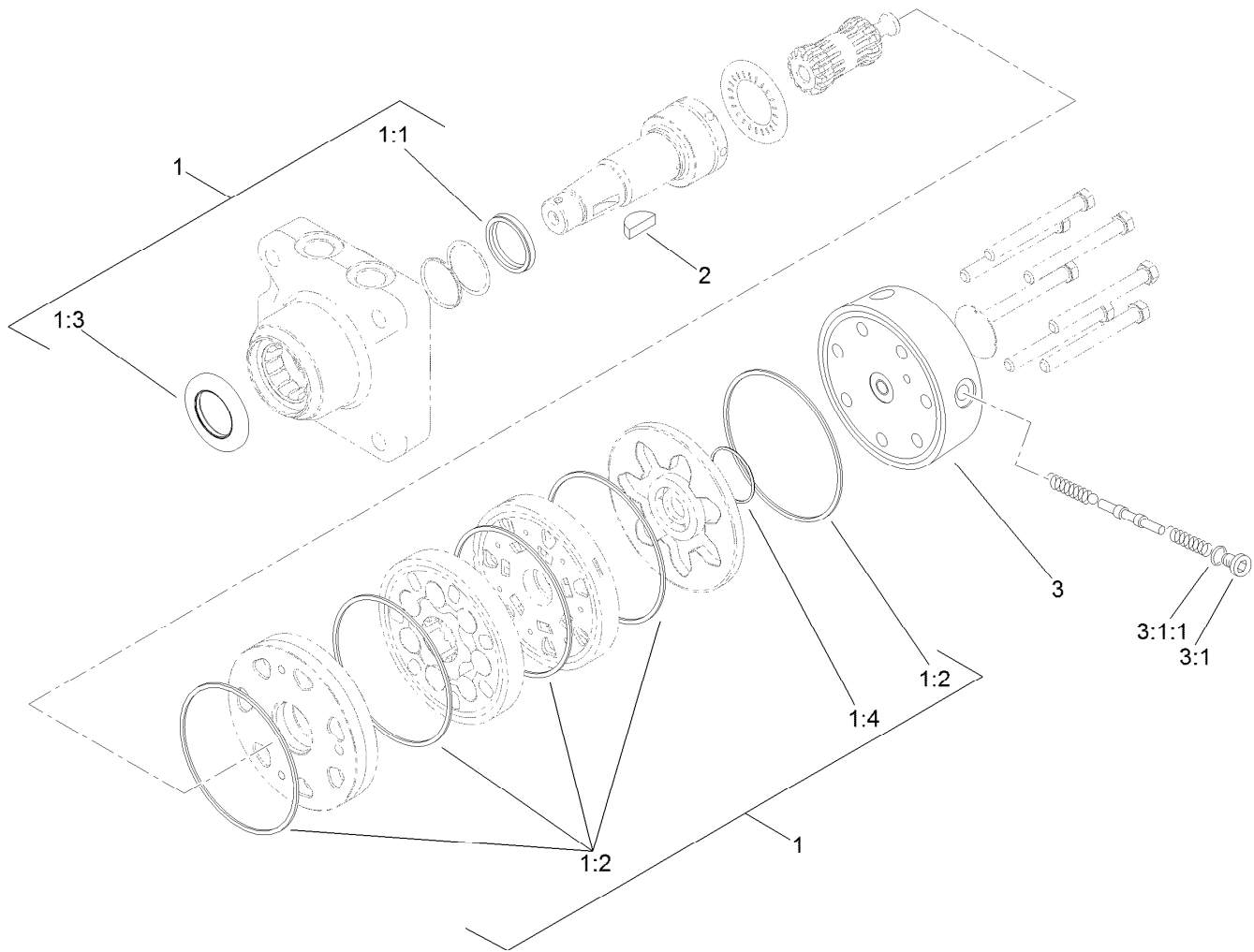
Ref.	Part Number	Qty.	Description	Ref.	Part Number	Qty.	Description
1	323-7	1	Screw-HH	24	19-1470	1	Screw-Shoulder
2	3256-3	3	Washer-Flat	25	32120-47	2	Ring-Retaining, External
3	32151-47	1	Ring-Retaining	26	256-257	2	Bushing-Nyliner
4	108-7991-03	1	Lever-Brake	27	108-7979-03	1	Bellcrank
5	108-7994	1	Bushing-Pivot, Lever	28	104-8300	4	Nut-Flange, NI
6	121-2520	1	Brake Lever Bracket ASM	29	108-7983	1	Bushing-Cable
7	104-8301	1	Nut-Flange, NI	30	66-4270	1	Spring-Extension
8	322-11	2	Screw-HH	32	108-2947	1	HYD Motor ASM (CCW)
9	3256-23	2	Washer-Flat	33	125-1967	2	Bracket-Brake, Park
10	121-4605	2	Washer-Spring	34	3253-7	8	Washer-Lock
11	21-1880	1	Grip-Handle	35	325-10	8	Screw-HH
12	108-2949	1	HYD Motor ASM (CW)	36	85-6540	8	Stud-Drive
13	108-7913	1	Cable-Brake, Park	37	108-7977-03	2	Hub-Wheel
14	108-7987	2	Link-Latch, Parking	38	26-3790	2	Nut-Lock
17	3290-307	4	Pin-Cotter	39	95-0621	2	Wheel And Tire ASM
19	107-3376	2	Spring-Compression	39:1	5108	1	Valve
21	19-1471	1	Screw-Shoulder	39:2	85-8290	1	Tire-2Ply, Knobby
22	114-0631	2	Clevis-Latch, Parking	39:3	94-6116	1	Wheel-Rear
23	108-7986-03	2	BAR-Brake	40	242-50	8	Nut-Lug



Hydraulic Motor Assembly No. 108-2949

<i>Ref.</i>	<i>Part Number</i>	<i>Qty.</i>	<i>Description</i>
1	110-6459	1	Seal Kit
1:1		1	Seal-Shaft ●
1:2		5	Seal-Body ●
1:3		1	Seal-Dirt/Water ●
1:4		1	Seal-Commutator ●
2	3257-42	1	Key-Woodruff

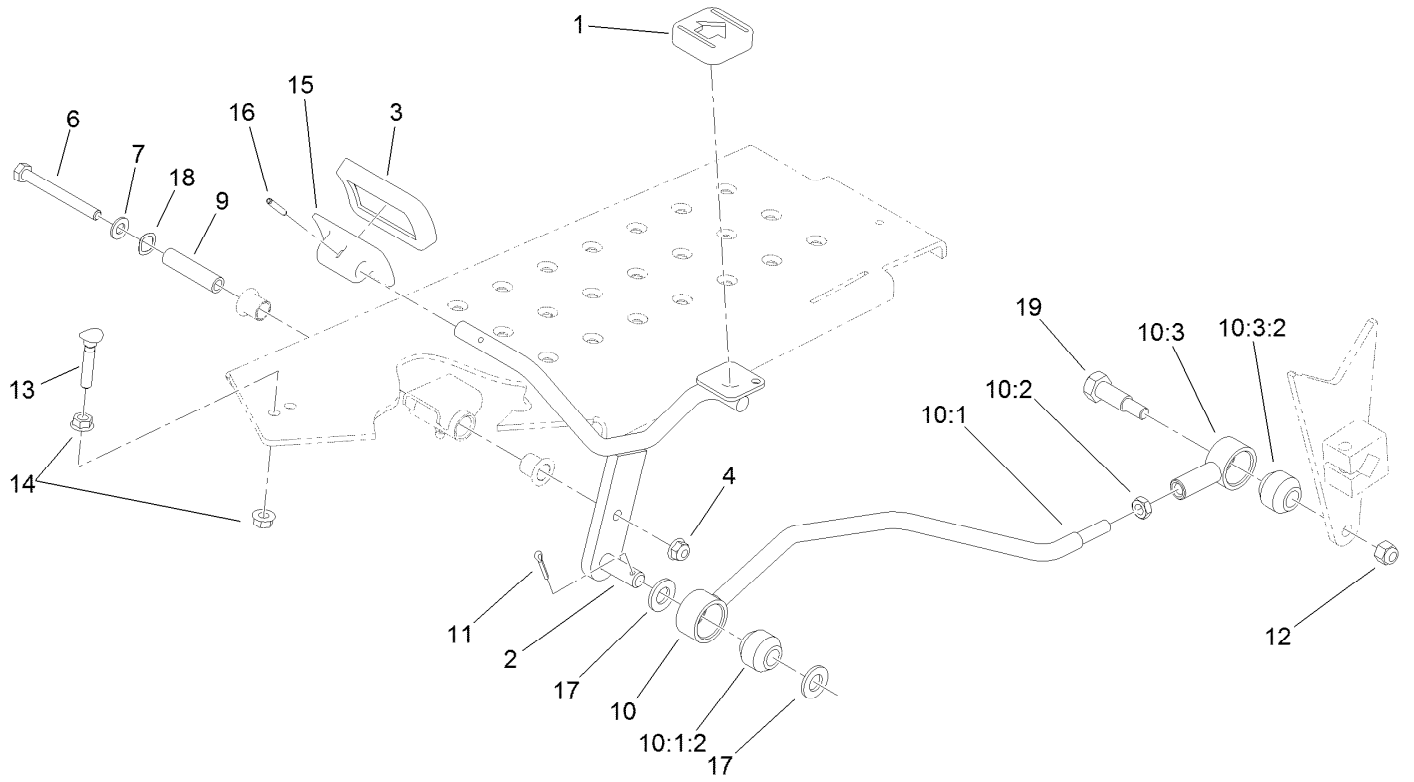
● Not serviced separately



Hydraulic Motor Assembly No. 108-2947

Ref.	Part Number	Qty.	Description
1	110-6459	1	Seal Kit
1:1		1	Seal-Shaft ●
1:2		5	Seal-Body ●
1:3		1	Seal-Dirt/Water ●
1:4		1	Seal-Commutator ●
2	3257-42	1	Key-Woodruff
3	110-3381	1	End Cover ASM
3:1	353-990	1	Plug ASM
3:1:1	237-78	1	O-Ring

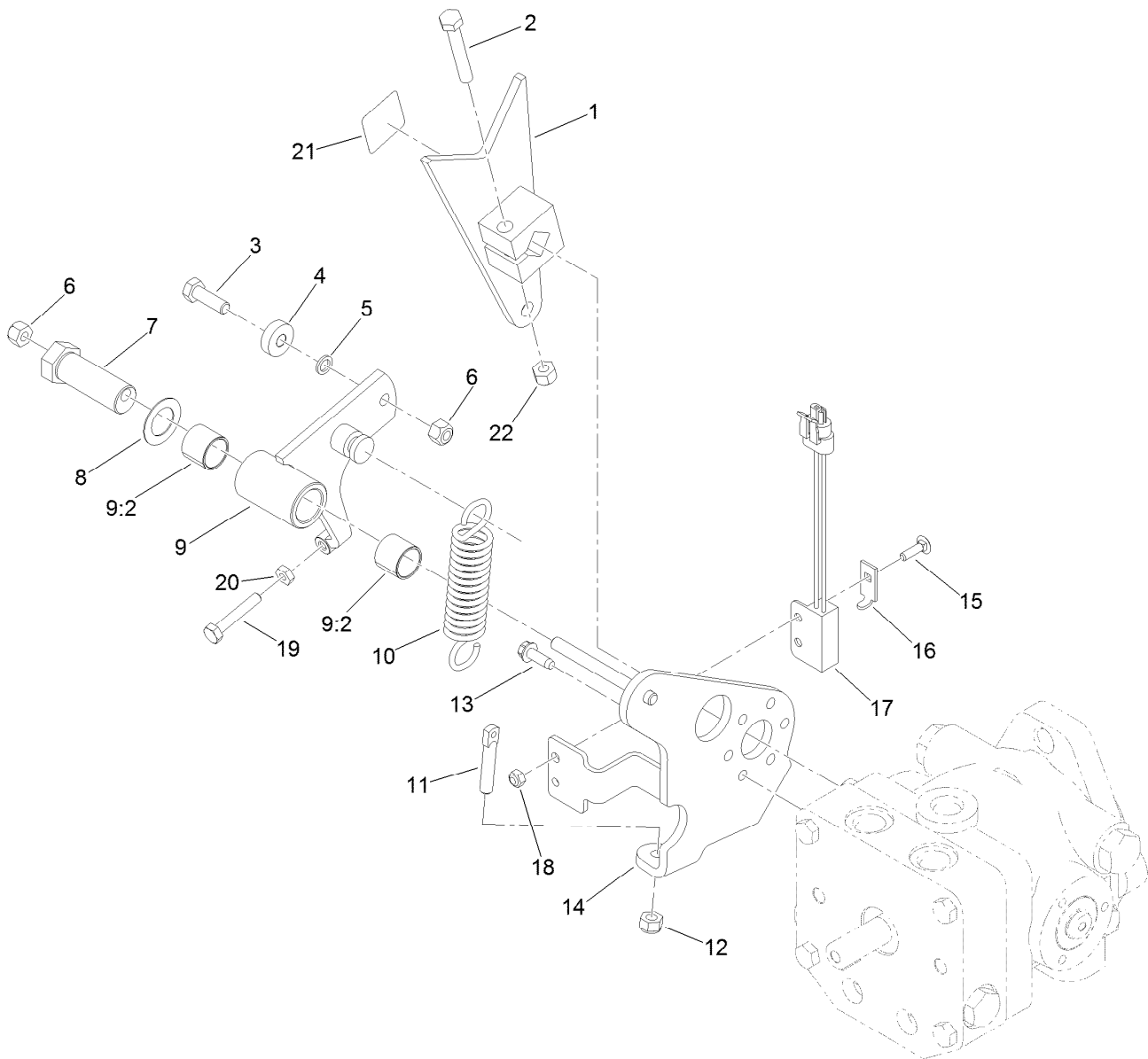
● Not serviced separately



Traction Pedal Assembly

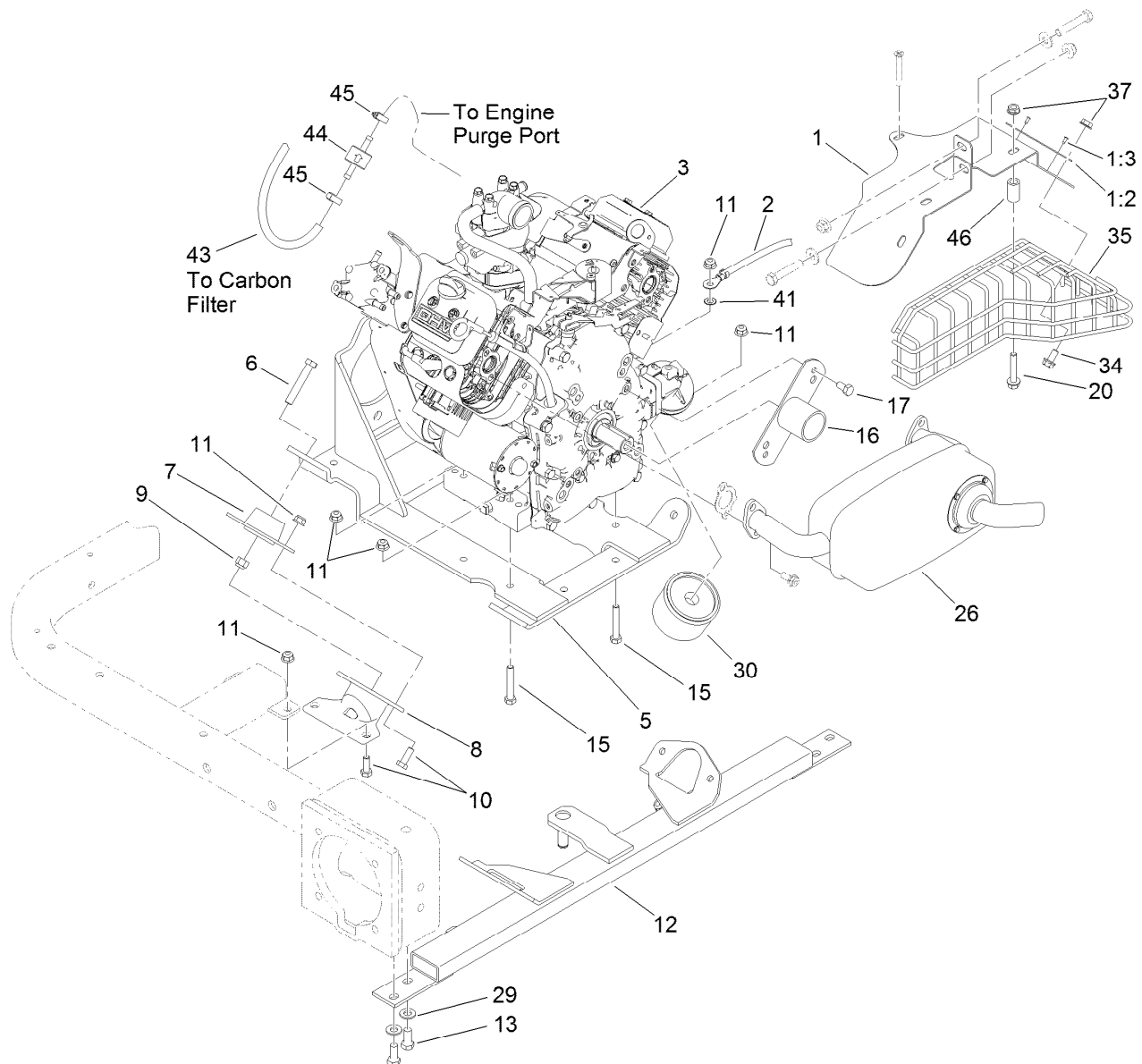
<i>Ref.</i>	<i>Part Number</i>	<i>Qty.</i>	<i>Description</i>	<i>Ref.</i>	<i>Part Number</i>	<i>Qty.</i>	<i>Description</i>
1	74-9110	1	Pad-Pedal, Reverse	10:3	115-5623	1	Isolated Rod End ASM
2	108-5498-01	1	Pedal	10:3:2	23-2270	1	Bushing-Rubber
3	74-9100	1	Pad-Pedal, Forward	11	3272-10	1	Pin-Cotter
4	104-8300	1	Nut-Flange, NI	12	3296-39	1	Nut-Lock, NI
6	322-14	1	Screw-HH	13	17-9420	1	Screw-Handle
7	3256-23	1	Washer-Flat	14	32128-20	2	Nut-HF
9	85-8960	1	Spacer	15	117-9507	1	Pedal-Accelerator
10		1	Traction Rod ASM ●	16	32121-45	1	Pin-Spring
10:1	115-5626	1	Rod ASM	17	106-9888	2	Washer-Flat
10:1:2	23-2270	1	Bushing-Rubber	18	108473	1	Washer-Wave
10:2	3220-3	1	Nut-HJ	19	117-4698	1	Screw-Shoulder, HH

● Not serviced separately



Pump Control Lever Assembly

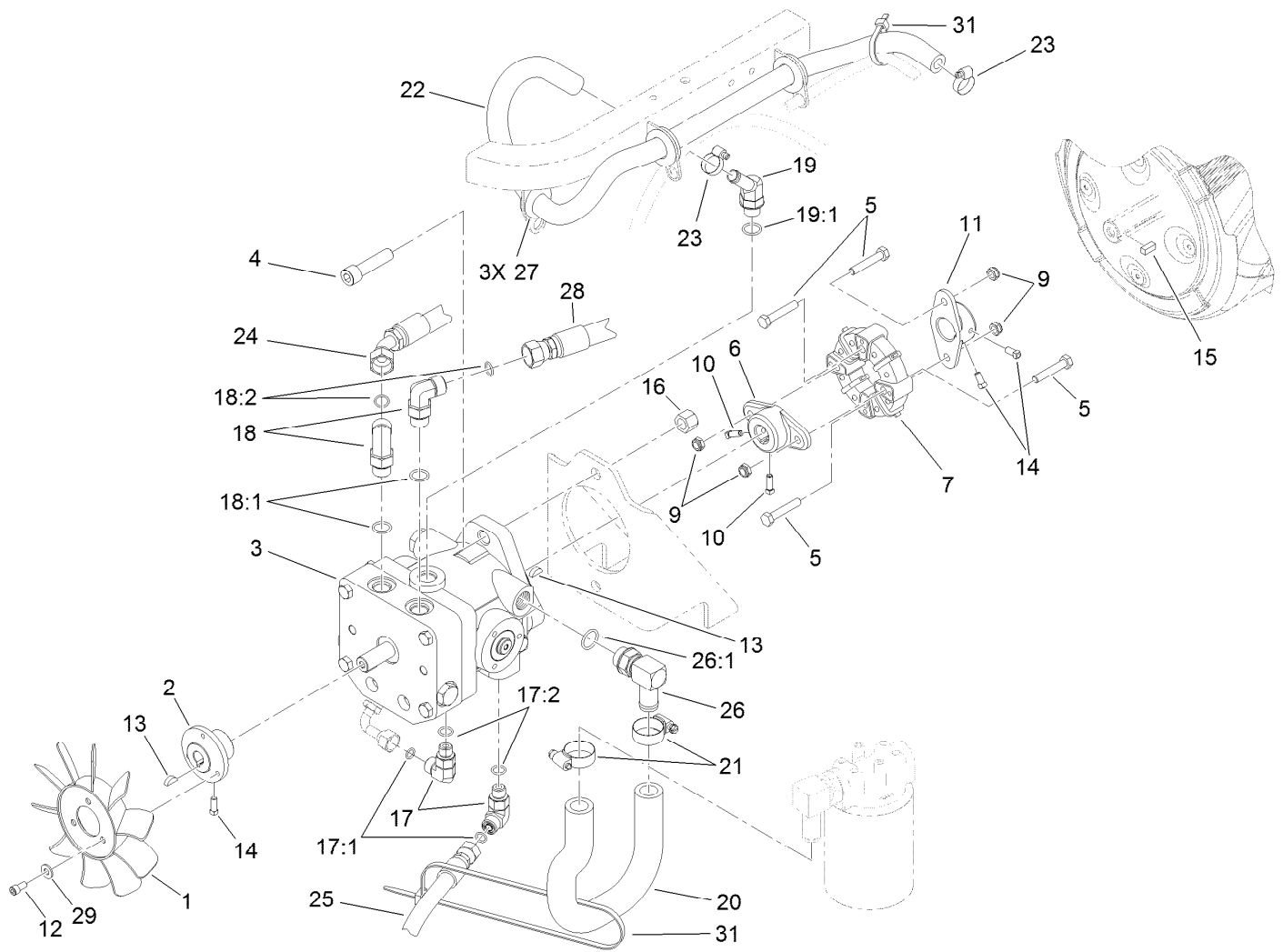
<i>Ref.</i>	<i>Part Number</i>	<i>Qty.</i>	<i>Description</i>	<i>Ref.</i>	<i>Part Number</i>	<i>Qty.</i>	<i>Description</i>
1	112-6458-03	1	Lever-Pump	12	3296-4	1	Nut-Lock
2	323-11	1	Screw-HH	13	49-2040	3	Screw-HWHTF
3	322-5	1	Screw-HH	14	108-5490-03	1	Plate-Pump
4	251-307	1	Bearing-Ball	15	3229-20	1	Screw-CARR
5	75-5470	1	Spacer-Bearing	16	100-4872	1	Plate-Switch, Neutral
6	3296-29	2	Nut-Lock, NI	17	105-0023	1	Switch-Proximity
7	76-8640	1	Stud-Traction	18	3296-2	1	Nut-Lock, NI
8	3-6498	1	Washer-Thrust	19	321-43	1	Capscrew
9	130-7832	1	Arm ASM	20	3218-1	1	Nut-Jam
9:2	94-9609	2	Bushing-Straight	21	93-9051	1	Decal-Bolt, Eccentric
10	85-9030	1	Spring-Extension	22	3296-39	1	Nut-Lock, NI
11	18-6380	1	Pin-Adjustment, Steering				



Engine Installation Assembly

Ref.	Part Number	Qty.	Description	Ref.	Part Number	Qty.	Description
1	119-7191	1	Muffler Shield ASM	15	322-10	4	Screw-HH
1:2	95-0645	1	Plate-Surface, Hot	16	95-0632-03	1	Cover
1:3	3269-32	2	Rivet-Pop	17	3210-2	2	Screw-HH
2	54-3093	1	Cable-Battery, Negative	20	94-5780	2	Screw-HWH
3	120-3402	1	Engine-Briggs & Stratton, 305447-0285-G2 ●	26	120-3476	1	Muffler-Dual Inlet
5	108-2809-03	1	Support-Engine	29	3256-24	4	Washer-Flat
6	323-11	4	Screw-HH	30	107-7817	1	Filter-Oil, Engine
7	121-9076	4	Mount-Engine	34	3234-14	2	Screw-HHF
8	125-1954	2	Mount-Front	35	110-6348-03	1	Shield-Exhaust
9	104-8301	4	Nut-Flange, NI	37	32128-25	4	Nut-HF
10	322-4	12	Screw-HH	41	3255-8	1	Washer-Lock
11	104-8300	16	Nut-Flange, NI	43	117-9569	1	Hose-Fuel
12	120-3461-01	1	Mount-Engine	44	133-8499	1	Valve-Check, Vacuum
13	323-5	4	Screw-HH	45	2412-108	2	Clamp-Worm
				46	59-2580	2	Spacer-Tubular

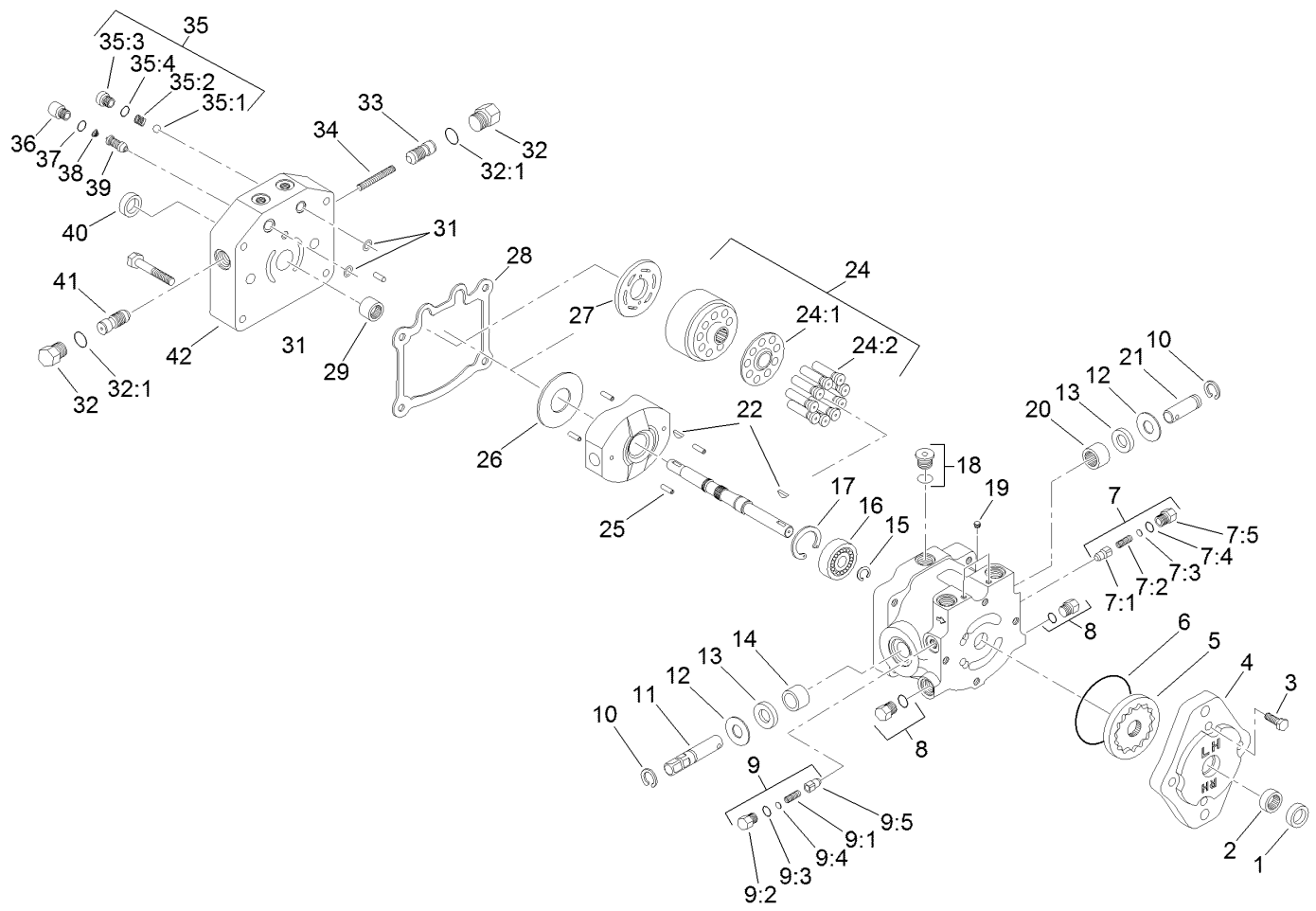
● Obtain parts from www.briggsandstratton.com



Pump and Coupling Assembly

Ref.	Part Number	Qty.	Description	Ref.	Part Number	Qty.	Description
1	1-633869	1	Fan-Pump, Cooling	18	340-98	2	Fitting-HYD, 90 DEG
2	108-5484	1	Hub-Fan	18:1	237-79	1	O-Ring
3	132-4350	1	Pump-Piston, Variable	18:2	237-30	1	O-Ring
4	3274-5	2	Screw-HSH	19	354-126	1	Fitting-HYD, 45 DEG
5	322-9	4	Screw-HH	19:1	237-79	1	O-Ring
6	110-9695	1	Hub-Pump	20	108-5481	1	Hose-Suction
7	119-0652	1	Coupler-Rubber	21	2412-129	2	Clamp-Hose
9	3296-47	4	Nut-Lock, NI	22	110-1325	1	Hose-Return
10	3241-6	2	Screw-SQH	23	2412-36	2	Clamp-Hose
11	110-5236	1	Hub-Engine	24	108-8440	1	Hose ASM
12	3274-52	3	Screw-HSH	25	108-8428	1	HYD Hose ASM
13	3257-32	2	Key-Woodruff	26	87-8170	1	Fitting
14	3241-7	4	Screw-SQH	26:1	237-80	1	O-Ring
15	85-9020	1	Key-Square	27	240-4	3	Grommet-Rubber
16	3296-23	2	Nut-Lock, NI	28	110-1322	1	HYD Hose ASM
17	340-77	2	Fitting-HYD, 90 DEG	29	3256-22	3	Washer-Flat
17:1	237-22	1	O-Ring	31	3290-379	2	Tie-Cable
17:2	237-42	1	O-Ring				

Variable Piston Pump Assembly No. 132-4350

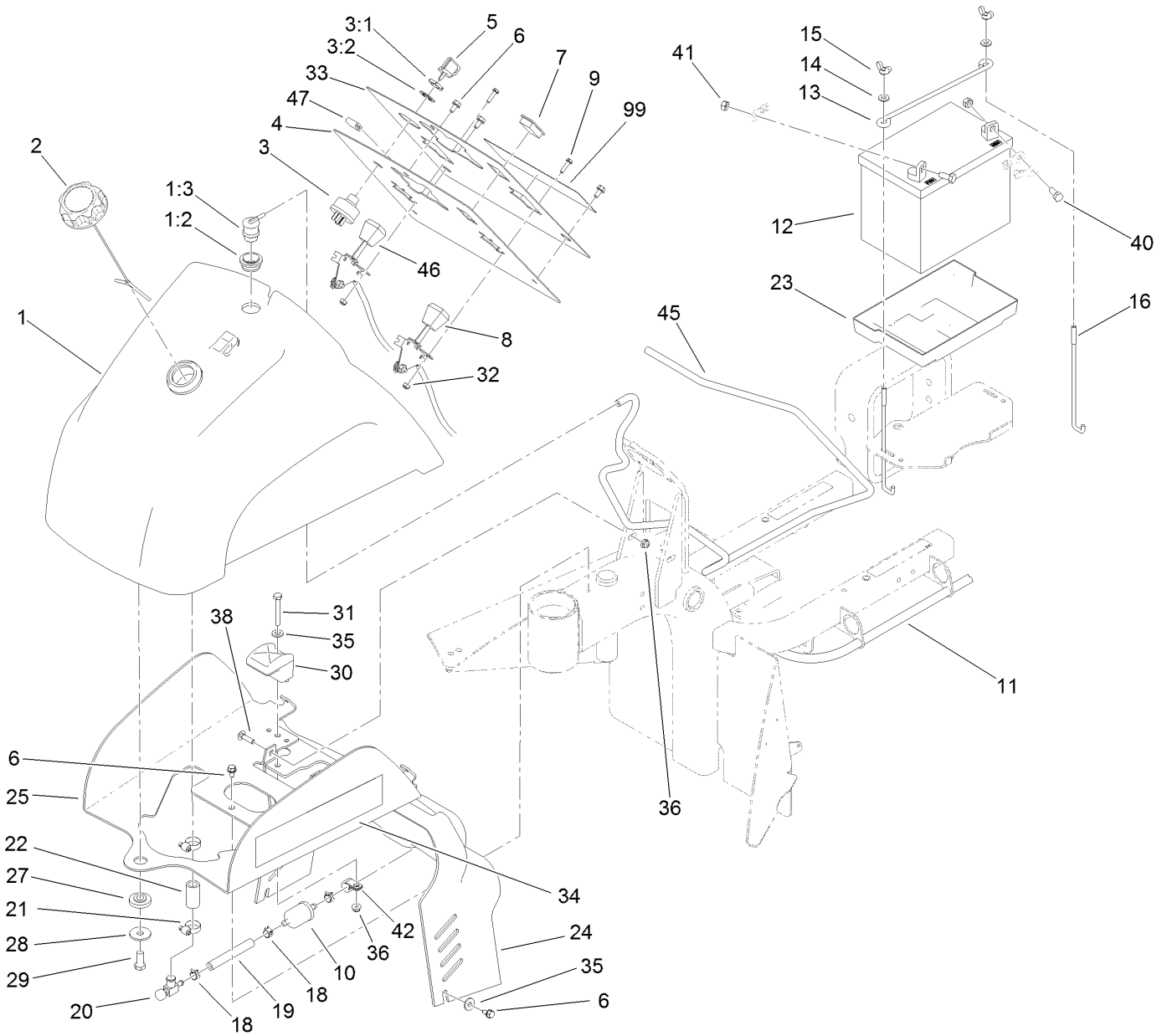


Variable Piston Pump Assembly No. 132-4350 (continued)

<i>Ref.</i>	<i>Part Number</i>	<i>Qty.</i>	<i>Description</i>	<i>Ref.</i>	<i>Part Number</i>	<i>Qty.</i>	<i>Description</i>
1	93-4133	1	Seal-Lip	20	252-82	1	Bearing-Needle
2	67-8050	1	Bearing-Needle	21	25-2500	1	Shaft-Trunnion
3	322-4	4	Screw-HH	22	3257-32	2	Key-Woodruff
4	114-0611	1	Housing-Pump, Charge	24	48-1800	1	Cylinder Block Kit
5	95-5812	1	Gerotor ASM	24:1		1	Retainer-Slipper ●
6	237-95	1	O-Ring	24:2		9	Piston ASM ●
7	49-8520	1	Implement Relief Kit	25	32121-91	4	Pin-Spring
7:1	83-7260	1	Cone-Relief, Charge	26	25-2380	1	Plate-Thrust
7:2	25-2570	1	Spring-Valve	27	88-8160	1	Plate-Valve
7:3	25-2470	1	Pack-Shim	28	25-2400	1	Gasket
7:4	237-86	1	O-Ring	29	110-6341	1	Bearing-Roller
7:5	25-2460	1	Plug-HH	31	112-7652	2	O-Ring
8	67-8030	2	Plug ASM	32	28-3440	2	Plug-Threaded
9	49-8510	1	Valve Kit	32:1	75-0240	1	O-Ring
9:1	25-2480	1	Spring-Valve	33	98-0920	1	Valve-Acceleration
9:2	25-2460	1	Plug-HH	34	25-2610	1	Spring-Valve
9:3	237-86	1	O-Ring	35	99-5689	1	Check Valve Kit
9:4	25-2470	1	Pack-Shim	35:1	25-2490	1	Ball
9:5	83-7260	1	Cone-Relief, Charge	35:2	25-2640	1	Spring-Valve
10	32151-46	2	Ring-Retaining	35:3	25-2650	1	Plug-Valve, Check
11	88-8180	1	Shaft-Trunnion	35:4	237-86	1	O-Ring
12	25-2510	2	Washer-Flat	36	75-0190	1	Plug-Special
13	25-3210	2	Seal-Lip	37	75-0240	1	O-Ring
14	88-8190	1	Bearing-Journal	38	110-6342	1	Spring
15	32151-83	1	Ring-Snap	39	110-6343	1	Valve-Scr
16	95-5809	1	Bearing-Ball	40	132-4357	1	Seal-Lip
17	32151-75	1	Ring-Retaining	41	98-0920	1	Valve-Acceleration
18	67-9090	1	Plug ASM	42	112-7651	1	Cap-End
19	75-0160	1	Plug-Pipe				

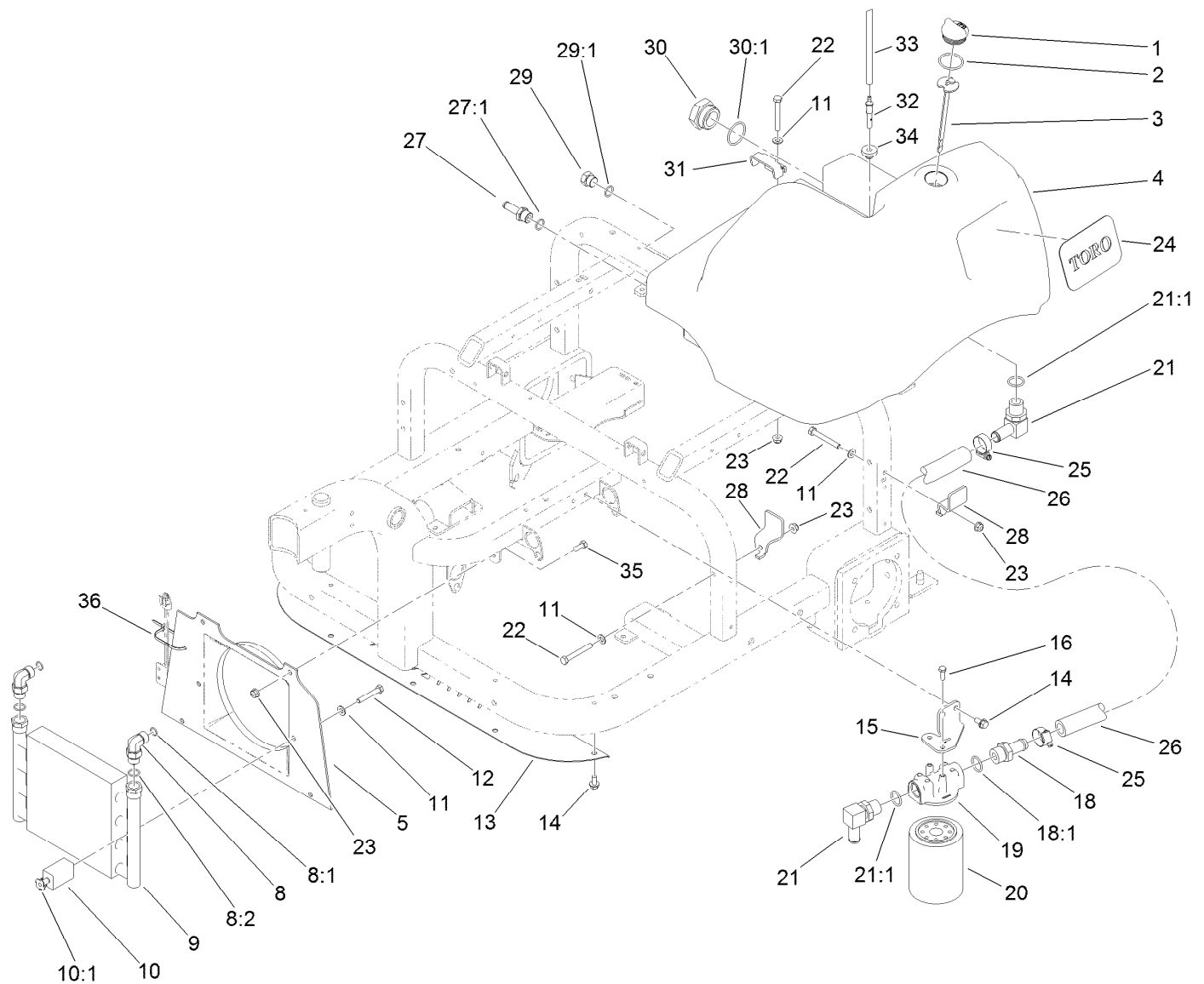
● Not serviced separately

Fuel Tank and Battery Assembly



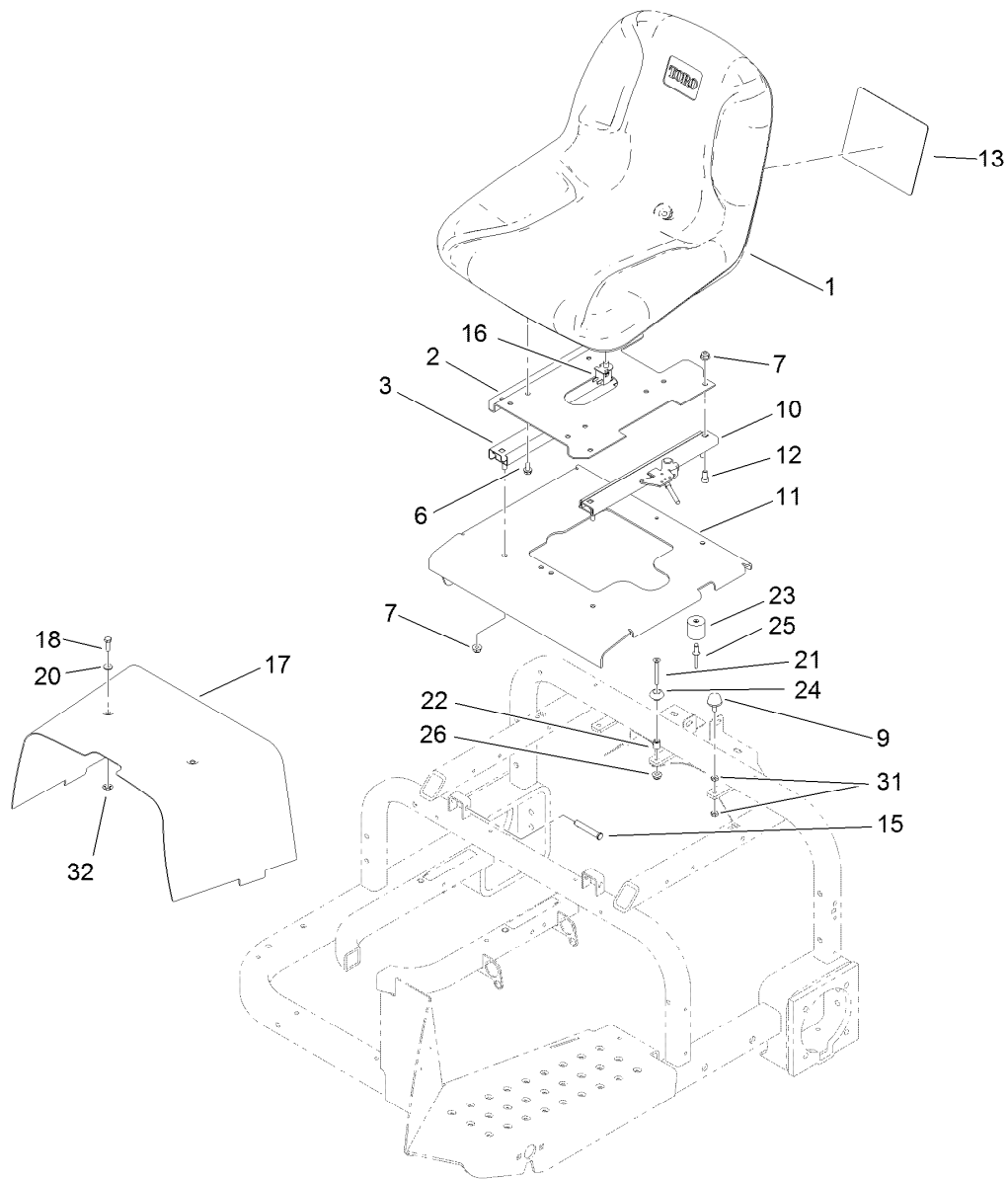
Fuel Tank and Battery Assembly (continued)

<i>Ref.</i>	<i>Part Number</i>	<i>Qty.</i>	<i>Description</i>	<i>Ref.</i>	<i>Part Number</i>	<i>Qty.</i>	<i>Description</i>
1	119-2496	1	Fuel Tank ASM	21	2412-36	2	Clamp-Hose
1:2	114-0284	1	Grommet	22	110-3371	1	Hose-Fuel
1:3	114-0285	1	Valve-Rollover	23	106948	1	Tray-Battery
2	126-1789	1	Cap-Fuel, Ratcheting	24	108-6898	1	Shroud-Dash
3	83-0020	1	Switch-Ignition	25	108-6895-01	1	Bracket-Mount, Tank
3:1	218-461	1	Nut-HH	27	240-11	1	Bushing-Flange
3:2	3254-5	1	Washer-Tooth, Internal	28	63-8410	1	Washer
4	108-6896-03	1	Panel-Dash	29	323-5	1	Screw-HH
5	63-8360	2	Key-Ignition	30	107-4543	2	Clamp
6	32144-10	6	Screw-HWH	31	321-18	2	Screw-HH
7	99-7420	1	Plug-Hole	32	3296-2	4	Nut-Lock, NI
8	119-7188	1	Throttle Cable ASM	33	132-4422	1	Decal-Dash
9	3290-321	4	Screw-HWH	34	108-8420	2	Decal
10	94-2690	1	Filter-Fuel	35	3256-78	4	Washer-Flat
11	110-3372	1	Hose-Fuel	36	104-7201	4	Nut-Flange, NI
12	104-8162	1	Battery-Dry	38	3229-1	2	Bolt-CARR
13	100-6434	1	Rod-Hold Down, Battery	40	322-3	2	Screw-HH
14	3256-22	2	Washer-Flat	41	3217-6	2	Nut-Hex
15	32103-22	2	Nut-Wing	42	92-6064	1	Clamp-R
16	100-6435	2	Post-Battery	45	117-9568	1	Hose-Vent, Tank
18	2412-98	4	Clamp-Hose	46	119-7178	1	Choke Cable ASM
19	109-0660	1	Hose-Fuel	47	119-2494	1	Seal-Strip
20	83-1390	1	Valve-Shut-Off, Fuel	99	119-2484	1	Decal-Dash, C E



Hydraulic Tank, Filter and Cooler Assembly

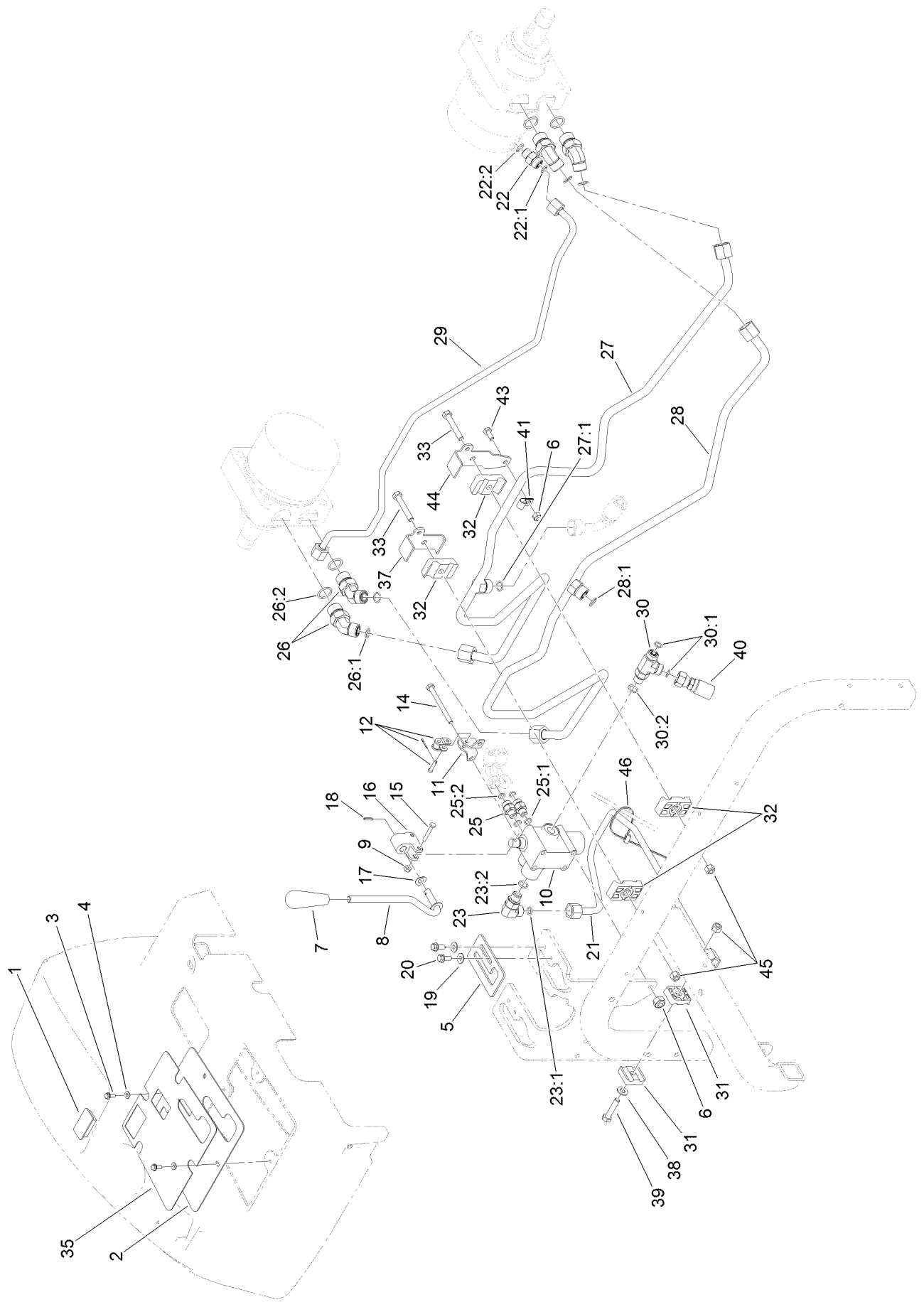
Ref.	Part Number	Qty.	Description	Ref.	Part Number	Qty.	Description
1	93-7498	1	Plug-Plastic	21	353-987	2	Fitting-HYD, 90 DEG (Barbed)
2	237-101	1	O-Ring	21:1	237-81	1	O-Ring
3	108-7996	1	Dipstick ASM	22	322-12	5	Screw-HH
4	119-9040	1	Tank-Hydraulic	23	104-8300	9	Nut-Flange, NI
5	108-5477	1	Shroud-Fan	24	108-8452	1	Decal-Logo
8	340-98	2	Fitting-HYD, 90 DEG	25	2412-129	2	Clamp-Hose
8:1	237-79	1	O-Ring	26	108-5483	1	Hose-Suction, Tank
8:2	237-30	1	O-Ring	27	354-121	1	Fitting-Straight
9	108-8457	1	Cooler-Oil	27:1	237-79	1	O-Ring
10	85-9550	2	Rubber Clamp ASM	28	108-7965	2	Clamp-Tank, HYD
10:1	85-9670	1	T-Nut	29	353-550	1	Plug-HYD, HH
11	3256-23	7	Washer-Flat	29:1	237-79	1	O-Ring
12	322-11	2	Screw-HH	30	108-8468	1	Plug-HH
13	121-2474-03	1	Panel-Cooler	30:1	237-101	1	O-Ring
14	32144-14	7	Screw-HWHTF	31	108-7903	1	Clamp-Tank
15	108-5482	1	Bracket-Filter, Oil	32	110-1372	1	Fitting-Vent, Tank
16	3234-4	2	Screw-HHF	33	110-8181	1	Hose-Fuel
18	354-73	1	Fitting-Straight	34	46-6560	1	Bushing
18:1	237-81	1	O-Ring	35	322-3	4	Screw-HH
19	68-8990	1	Head-Filter	36	3290-379	1	Tie-Cable
20	54-0110	1	Filter-Oil, Transmission				



Seat and Shroud Assembly

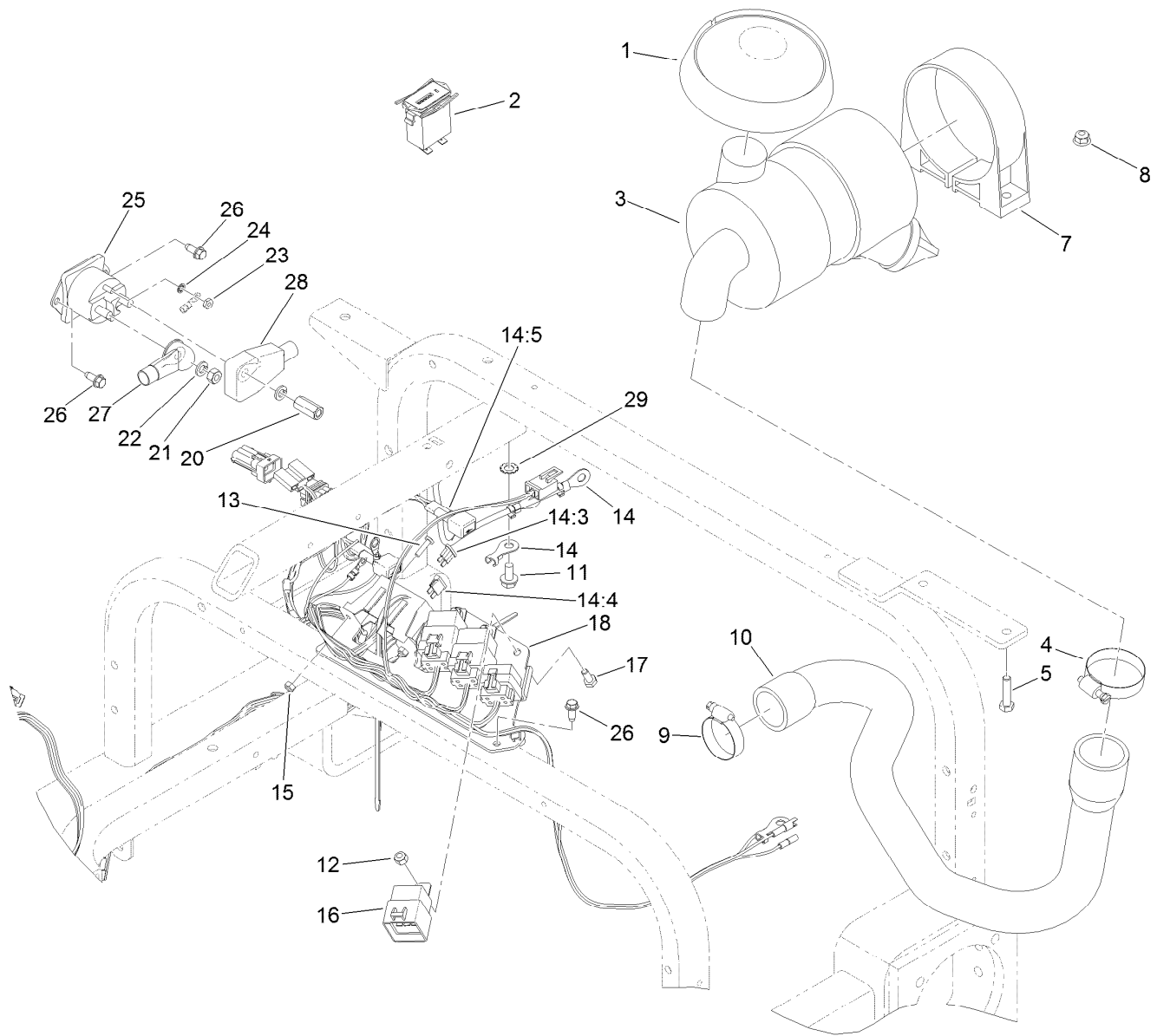
<i>Ref.</i>	<i>Part Number</i>	<i>Qty.</i>	<i>Description</i>	<i>Ref.</i>	<i>Part Number</i>	<i>Qty.</i>	<i>Description</i>
1	108-6878	1	Seat	17	108-6859-01	1	Shroud-Center
2	108-7931-03	1	Base-Seat	18	321-5	2	Screw-HH
3	51-0780	1	Slider-Seat	20	3256-1	2	Washer-Flat
6	3234-14	4	Screw-HHF	21	363-1571	1	Screw-PFH
7	104-8300	8	Nut-Flange, NI	22	609588	1	Spacer
9	1-523420	2	Bumper	23	99-7830	1	Rubber Receptical ASM
10	51-0790	1	Adjuster-Seat, LH	24	99-7833	1	Post-Holding
11	130-7834-03	1	Base-Seat	25	3290-412	1	Rivet
12	3274-12	4	Screw-HSH	26	104-7201	1	Nut-Flange, NI
13	132-4429	1	Decal-Service	31	3218-1	4	Nut-Jam
15	112-7153	2	Pin	32	106-8737	2	Nut-Retainer
16	82-2190	1	Switch-Bail				

Lift Valve and Rear Tube Assembly



Lift Valve and Rear Tube Assembly (continued)

<i>Ref.</i>	<i>Part Number</i>	<i>Qty.</i>	<i>Description</i>	<i>Ref.</i>	<i>Part Number</i>	<i>Qty.</i>	<i>Description</i>
1	99-7420	1	Plug-Hole	25:1	237-78	1	O-Ring
2	108-7909-03	1	Panel-Control	25:2	237-21	1	O-Ring
3	3290-321	4	Screw-HWH	26	340-89	4	Fitting-HYD, 45 DEG
4	3256-51	4	Washer-Flat	26:1	237-30	1	O-Ring
5	108-7941	1	Plate-Guide, Lever	26:2	237-80	1	O-Ring
6	3296-42	4	Nut-Lock, NI	27	108-8406	1	Tube ASM
7	98-0152	1	Knob-Tapered	27:1	237-30	1	O-Ring
8	108-7942	1	Rear Lever ASM	28	110-1323	1	Tube ASM
9	3296-2	2	Nut-Lock, NI	28:1	237-30	1	O-Ring
10	121-9070	1	Valve ASM	29	110-1330	1	Tube ASM
11	88-8480	1	Bracket-Pivot	30	340-86	1	Fitting-Tee
12	2710-20	1	Link-Offset	30:1	237-22	2	O-Ring
14	321-23	3	Screw-HH	30:2	237-42	1	O-Ring
15	3290-360	2	Screw-HH	31	56-7973	2	Clamp-Tube
16	125-1944	1	Pivot-Hinge	32	56-7976	4	Clamp-Tube
17	3290-477	1	Washer-Curved	33	322-10	2	Screw-HH
18	32121-73	1	Pin-Roll	35	108-8484	1	Decal-Lift, Rear
19	3256-1	2	Washer-Flat	37	110-1333	1	Bracket-Clamp
20	3234-33	2	Screw-HHF	38	3256-23	1	Washer-Flat
21	108-8416	1	Tube ASM	39	322-7	1	Screw-HH
22	340-2	1	Fitting-HYD, Straight	40	108-8426	1	Hose ASM
22:1	237-22	1	O-Ring	41	2412-89	1	Clamp-R
22:2	237-42	1	O-Ring	43	321-3	1	Screw-HH
23	340-77	1	Fitting-HYD, 90 DEG	44	110-1332	1	Bracket-Clamp
23:1	237-22	1	O-Ring	45	3296-29	3	Nut-Lock, NI
23:2	237-42	1	O-Ring	46	3290-378	1	Tie-Cable
25	340-92	2	Fitting-HYD, Straight				



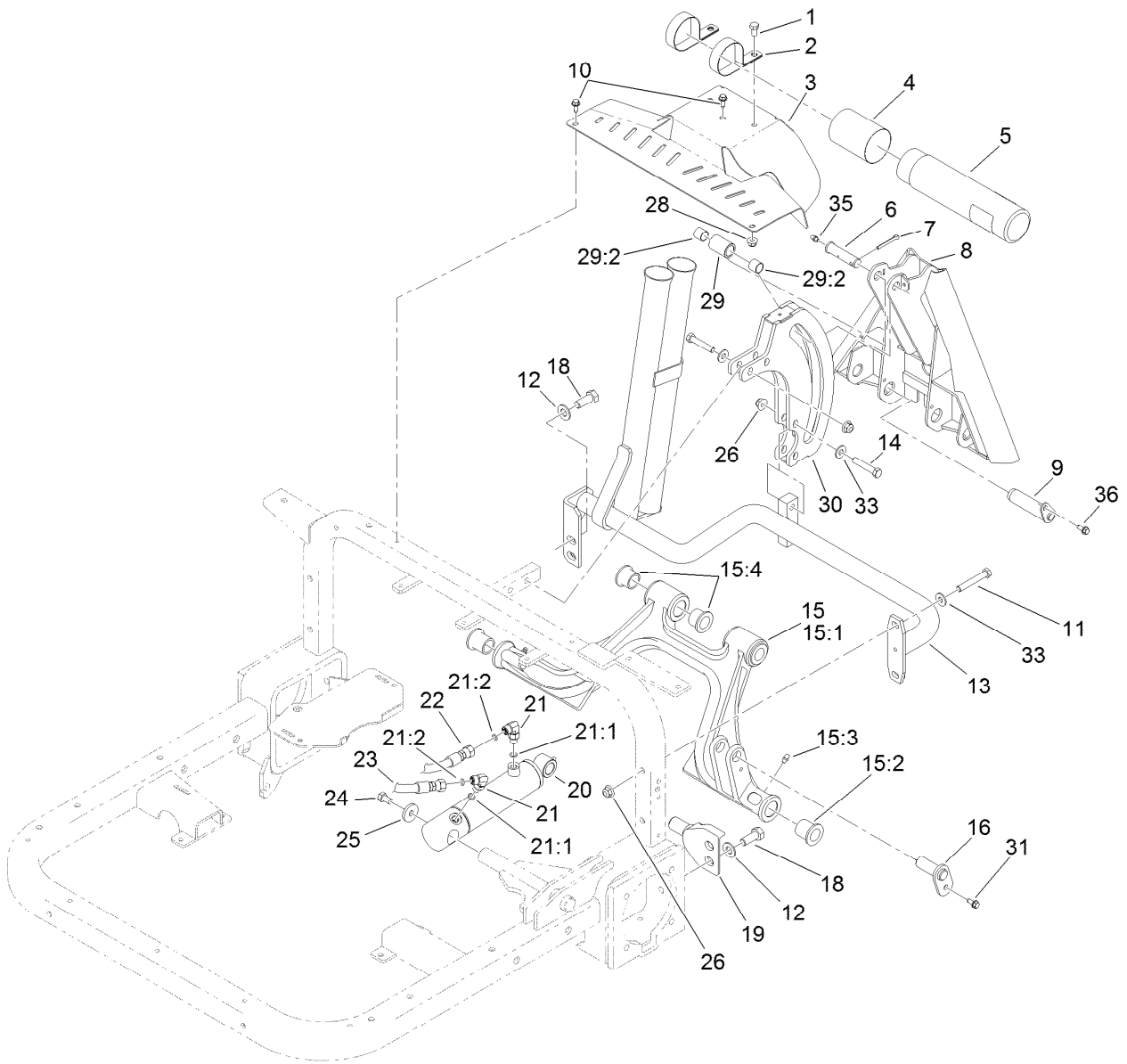
Wire Harness, Air Cleaner and Hose Assembly

Ref.	Part Number	Qty.	Description	Ref.	Part Number	Qty.	Description
1	120-4848	1	Hood-Inlet, Air	14:5	100-4918	2	Diode-Over Molded
2	1-513374	1	Meter-Hour	15	3296-2	2	Nut-Lock, NI
3	93-2190	1	Air Cleaner ASM	16	99-7430	3	Relay
4	2412-92	1	Clamp-Hose	17	321-3	3	Screw-HH
5	322-6	2	Screw-HH	18	112-1444-01	1	Bracket-Relay
7	95-5806	1	Bracket-Mounting	20	110-3380	1	Nut-Standoff
8	104-8300	2	Nut-Flange, NI	21	3218-13	1	Nut-Jam, Brass
9	2412-3	1	Clamp-Hose	22	3253-4	2	Washer-Lock
10	117-9576	1	Hose-Air	23	3219-14	2	Nut-Hex
11	32144-14	1	Screw-HWHTF	24	3254-1	2	Washer-Lock, Int
12	3296-42	3	Nut-Lock, NI	25	28-4210	1	Solenoid
13	3250-13	2	Screw-PPH	26	32144-10	4	Screw-HWH
14	122-0836	1	Harness-Wire, Sandpro	27	110-3315	1	Cable-Positive, Starter
14:3	218-578	2	Fuse-Blade, 10 Amp	28	110-3314	1	Cable-Positive, Battery
14:4	109355	1	Fuse-Blade, 15 Amp	29	3255-9	1	Washer-Lock



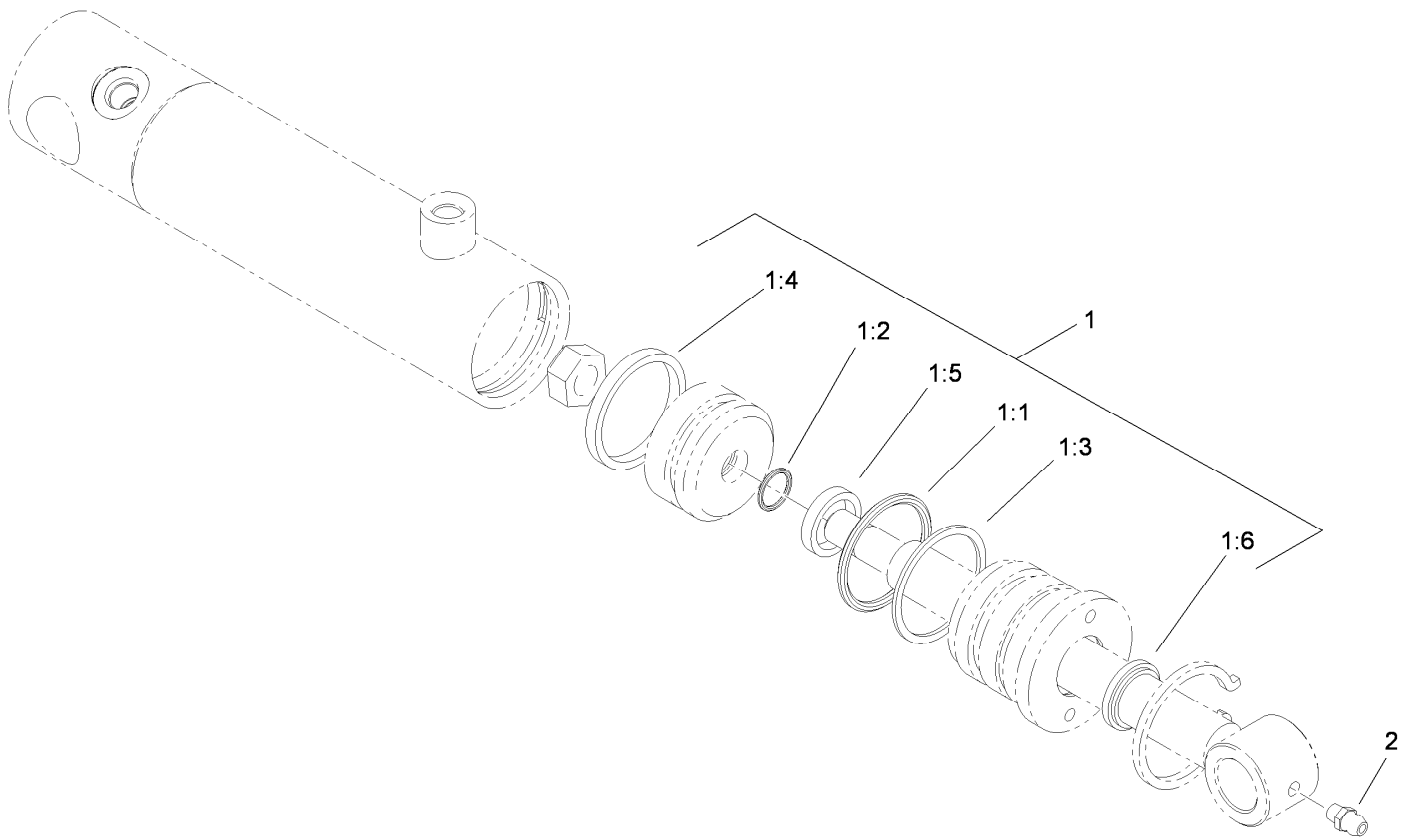
Air Cleaner Assembly No. 93-2190

<i>Ref.</i>	<i>Part Number</i>	<i>Qty.</i>	<i>Description</i>
2	108-3811	1	Filter-Air
3	94-3652	1	Cover ASM
3:1	1-643283	2	Latch-Cleaner, Air
4	87-9400	1	Valve-Vacuator
5	285-17	1	Plug-Pipe



Rear Hitch Assembly

Ref.	Part Number	Qty.	Description	Ref.	Part Number	Qty.	Description
1	322-2	2	Screw-HH	18	325-5	4	Screw-HH
2	2412-133	2	R-Clamp	19	115-5618	2	Pivot-Hub
3	121-9081-01	1	Cover-Rear	20	115-5647	1	HYD Lift Cylinder ASM
4	104-7048	1	Cap-Housing	21	340-132	2	Fitting-HYD, 90 DEG
5	104-7050	1	Tube-Manual	21:1	237-78	1	O-Ring
6	108-2282	1	Pin-Clevis	21:2	237-21	1	O-Ring
7	3272-23	1	Pin-Cotter	22	95-8837	1	Hose ASM
8	108-6870-01	1	Adapter ASM	23	100-3833	1	Hose-HYD
9	108-6885	2	Pin ASM	24	323-34	1	Screw-HH
10	32144-10	3	Screw-HWH	25	53-6380	1	Washer-Flat
11	323-12	2	Screw-HH	26	104-8301	6	Nut-Flange, NI
12	3256-26	4	Washer-Flat	28	104-8300	2	Nut-Flange, NI
13	120-3465-03	1	Frame-Hitch	29	108-5472	1	Tube ASM
14	323-10	4	Screw-HH	29:2	256-311	2	Bushing-Split
15	120-3457	1	Rear Hitch ASM	30	110-1368-01	1	Plate-Roller
15:1	115-5609-01	1	Hitch	31	32144-10	1	Screw-HWH
15:2	95-3577	2	Bushing	33	3256-3	6	Washer-Flat
15:3	302-5	4	Fitting-Grease	35	302-5	1	Fitting-Grease
15:4	33-3090	4	Bushing	36	99-8445	2	Screw-HWH
16	115-5648	1	Pin-Flag				



Hydraulic Lift Cylinder Assembly No. 115-5647

<i>Ref.</i>	<i>Part Number</i>	<i>Qty.</i>	<i>Description</i>
1	108-4597	1	Seal Kit
1:1		1	O-Ring ●
1:2		1	O-Ring ●
1:3		1	Ring-Back Up ●
1:4		1	Seal-Psp ●
1:5		1	Seal-Rod ●
1:6		1	Seal-Dust ●
2	302-5	1	Fitting-Grease

● Not serviced separately

Attachments and Accessories

For 08703 Sand Pro 3040 Traction Unit

Product Name	Model/Part
Midmount Toolbar System	08731
Spring Rake	08752
Tooth Rake	08751
Rear Broom	08753
Finish Grader	08754
Manual Blade	08714
Drag Mat Carrier System	08756
Spiker	08755
Debris Blower	08759
Rear Remote Hydraulic Kit	08781
Wheel and Tire Assembly	121-9077
Spark Arrestor Screen	119-7185
MVP Filter Kit	30035
Yellow Hydraulic Cap	107-1576
Draw Bar Hitch Assembly	110-1375
Light Kit	110-1314
Speed Limiter Kit	110-1371
Smooth Wheel and Tire ASM	112-0034
Drag Mat Assembly	112-1424
Variable Orifice Kit	112-1433
QAS Nail Drag	08761
QAS Bunker Pump	08765
Yellow Hydraulic Fluid Cap (Tethered)	107-2174
Carbide Tine Pack	119-2152
Synthetic Turf Conditioner, Sand Pro/Infield Pro with QAS	08790
Premium All Purpose Grease (Tube)	108-1190
Turf Groomer, Sand Pro Traction Unit with QAS	08794
Premium Engine Oil SAE 30 (Drum)	108-1196
Premium Engine Oil SAE 30 (Pail)	108-1197
Premium All Season Hydraulic Fluid (55 Gallon Drum)	108-1177
Premium All Season Hydraulic Fluid (5 Gallon Pail)	108-1178

Notes:

Notes:

Notes:



Count on it.