



**Count on it.**

**Parts Catalog**

**76cm TurfMaster  
Walk-Behind Lawn Mower**

Model No. 22205TE—Serial No. 40000000 and Up



# Ordering Replacement Parts

To order replacement parts, please supply the part number, the quantity, and the description of each part desired.

## Understanding Reference Numbers

Each identified part in an illustration has a reference number. The reference number for a part also appears in the parts list, along with other information about the part.

This catalog uses two special reference number formats, one to indicate parts in a service assembly and another to indicate the quantity of a given part in an illustration.

## Service Assembly Reference Numbers

Parts in service assemblies have reference numbers in the form a:b. The a represents the reference number of the entire service assembly and the b represents a sequential number unique to each part within the service assembly.

For example, a wheel assembly might be identified by reference number 6, the tire by 6:1, the valve by 6:2, and the wheel by 6:3. When you order the assembly identified by reference number 6, you receive all parts identified by reference numbers 6:1, 6:2, and 6:3. However, you may also order any part individually. Reference numbers of this type appear in illustration and in parts lists.

## Reference Numbers Indicating Quantity

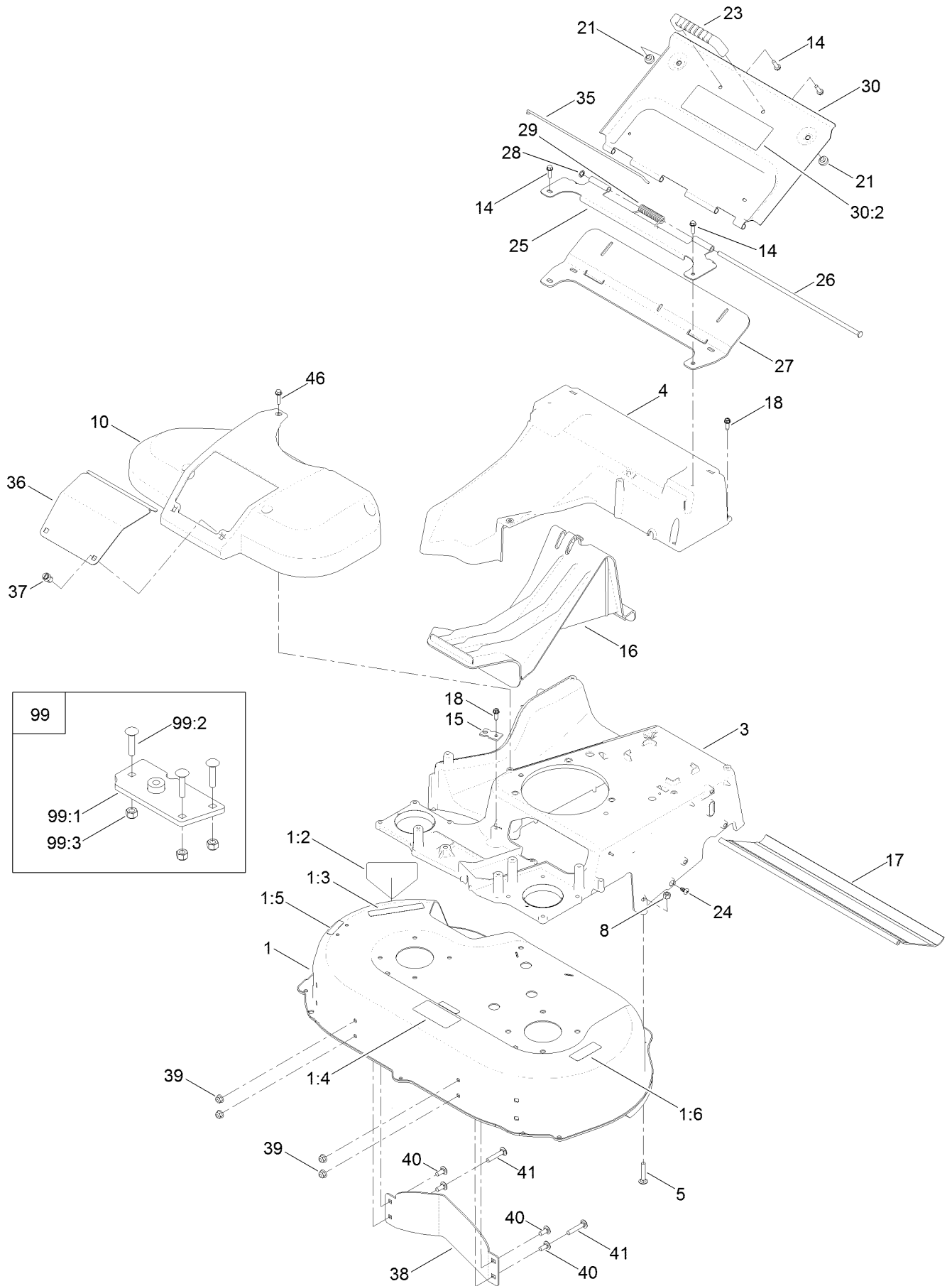
In an illustration, if a reference number indicates more than one part, the reference number has the form nX y. The n represents the quantity of the part, the X is the multiplication symbol, and the y represents the reference number.

For example, in an illustration, the reference number 2X 37 means that two of the parts identified by reference number 37 are indicated.

# Contents

Deck, Frame and Chute Assembly .....	4
Blade and Spindle Assembly .....	6
Pulleys and Idler Assembly No. 126-7890 .....	8
Side Discharge Chute Assembly .....	10
Grass Bag Assembly .....	12
Brake Assembly .....	14
Engine and Fuel Tank Assembly .....	16
Front Bumper and Wheel Assembly .....	18
Traction and Height-of-Cut Assembly .....	20
Handle Assembly .....	22
Brake Cable and Control Bar Assembly .....	24
Deck, Frame and Chute Assembly .....	26
Attachments and Accessories .....	28

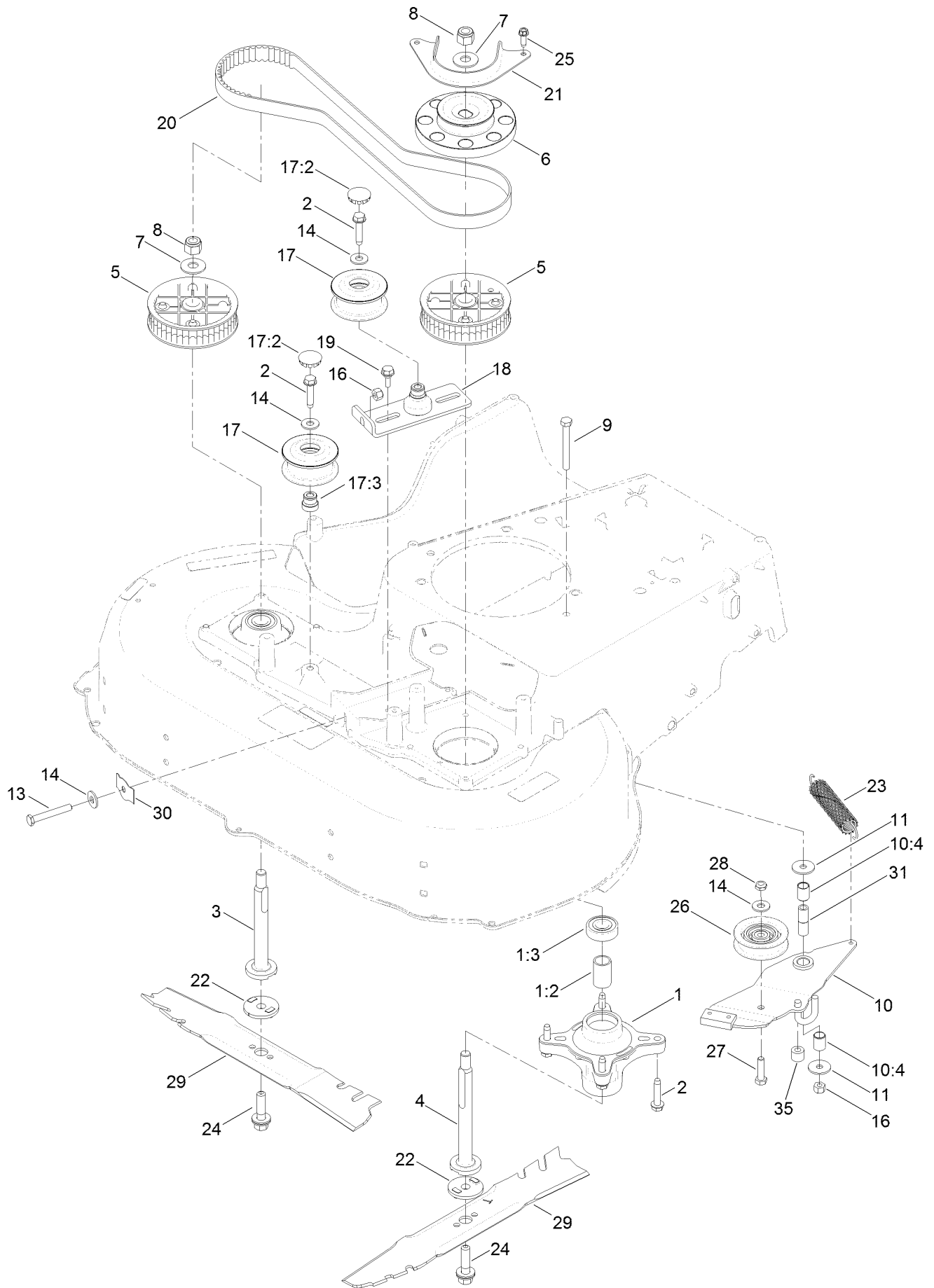
# Deck, Frame and Chute Assembly



## Deck, Frame and Chute Assembly (continued)

<i>Ref.</i>	<i>Part Number</i>	<i>Qty.</i>	<i>Description</i>	<i>Ref.</i>	<i>Part Number</i>	<i>Qty.</i>	<i>Description</i>
1	131-4544	1	Deck-30 Inch	25	116-6351-03	1	Bracket-Hinge
1:2	112-8760	1	Decal-Danger	26	116-6933	1	Pin-Hinge
1:3	93-7009	1	Decal-Danger	27	116-6229	1	Seal-Door
1:4	116-8528	1	Decal	28	32151-72	1	Ring-Retaining
1:5	120-9570	2	Decal-Warning	29	116-7573	1	Spring-Torsion, Cover
1:6	121-1449	1	Decal-Warning, Block	30	116-8355	1	Rear Door ASM
3	131-9659-01	1	Frame	30:2	116-7583	1	Decal-Warning
4	133-8177	1	Chute	35	116-6966	1	Clip-Seal
5	3230-5	2	Screw-CARR	36	121-5793-03	1	Door-Access
8	3296-29	2	Nut-Lock, NI	37	121-5840	2	Fastener
10	121-5810	1	Cover-Belt	38	130-2352-01	1	Baffle-Control
14	46-8091	4	Screw-HWH	39	104-8300	4	Nut-HF, NI
15	107-7497	1	Bracket-Cable, Traction	40	3230-23	2	Screw-CARR
16	120-5225	1	Plug-Mulch	41	116-0629	2	Screw-CARR
17	121-5841	1	Shield-Trailing	46	32144-86	1	Screw-HWHTF
18	49-2040	8	Screw-HWHTF	99	125-5072	1	Frame Plate Kit
21	1-513658	2	Bumper	99:1	125-2542	1	Plate-Frame
23	65-5100	1	Handle-Door	99:2	3229-3	3	Screw-CARR
24	117-1092	2	Screw-PTH	99:3	3296-42	3	Nut-Lock, NI

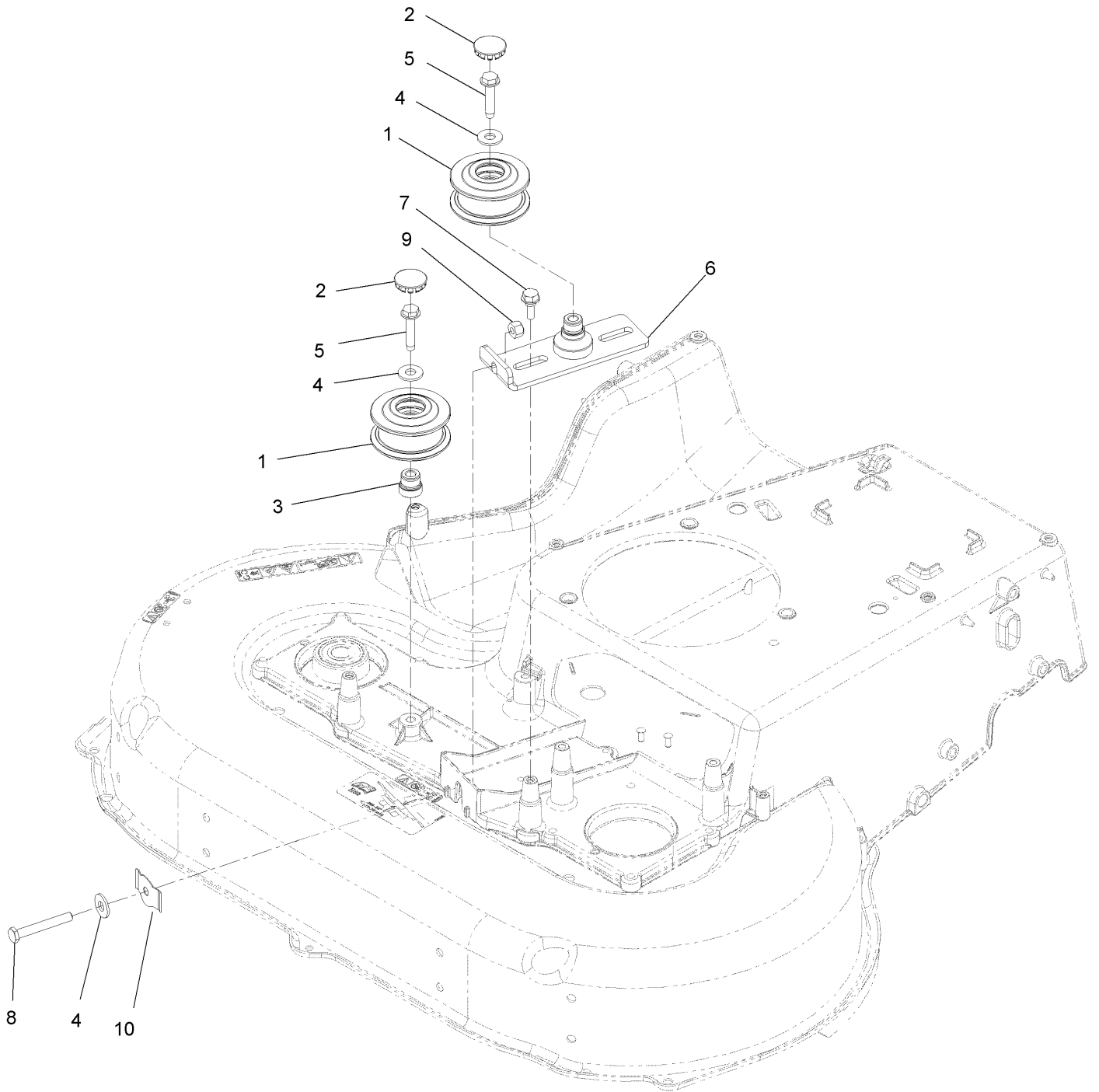
# Blade and Spindle Assembly



## Blade and Spindle Assembly (continued)

<i>Ref.</i>	<i>Part Number</i>	<i>Qty.</i>	<i>Description</i>	<i>Ref.</i>	<i>Part Number</i>	<i>Qty.</i>	<i>Description</i>
1	121-9107	2	Spindle ASM	17:2	126-7151	2	Plug-Button
1:2	120-7935	2	Spacer	17:3	131-4504	1	Adapter-Bore
1:3	100-1048	2	Bearing-Ball	18	126-6453	1	Bracket-Idler
2	32144-57	10	Screw	19	120-7024	2	Screw-Shoulder, HHF
3	120-5234	1	Shaft-Spindle	20	120-3335	1	Belt-Synchronous
4	120-5235	1	Shaft-Spindle	21	120-5245-03	1	Guide-Belt, Spindle
5	121-9100	2	Sprocket	22	120-5236	2	Adapter-Blade
6	130-6664	1	Pulley-Brake, Spindle	23	121-5808	1	Spring-Extension, Brake
7	109-9505	2	Washer-Spring	24	125-2466	2	Bolt-Blade
8	3296-19	2	Nut-Hex	25	49-2040	2	Screw-HWHTF
9	322-13	1	Screw-HH	26	120-7082	1	Pulley-Idler
10	136-5903	1	Brake Arm ASM	27	322-6	1	Screw-HH
10:4	131-0819	2	Bushing-Sleeve	28	3296-47	1	Nut-Lock, NI
11	5-4460	2	Washer-Pivot	29	120-9500-03	2	Blade-Atomic, 15.4 Inch
13	9114524	1	Bolt-TAP, HH	30	121-2336	1	Spring-Flat
14	3256-3	4	Washer-Flat	31	131-0823	1	Spacer-Brake
16	3296-29	2	Nut-Lock, NI	35	133-1964	1	Hose-Coolant
17	126-7890	1	Pulleys And Idler Kit				

# Pulleys and Idler Assembly No. 126-7890

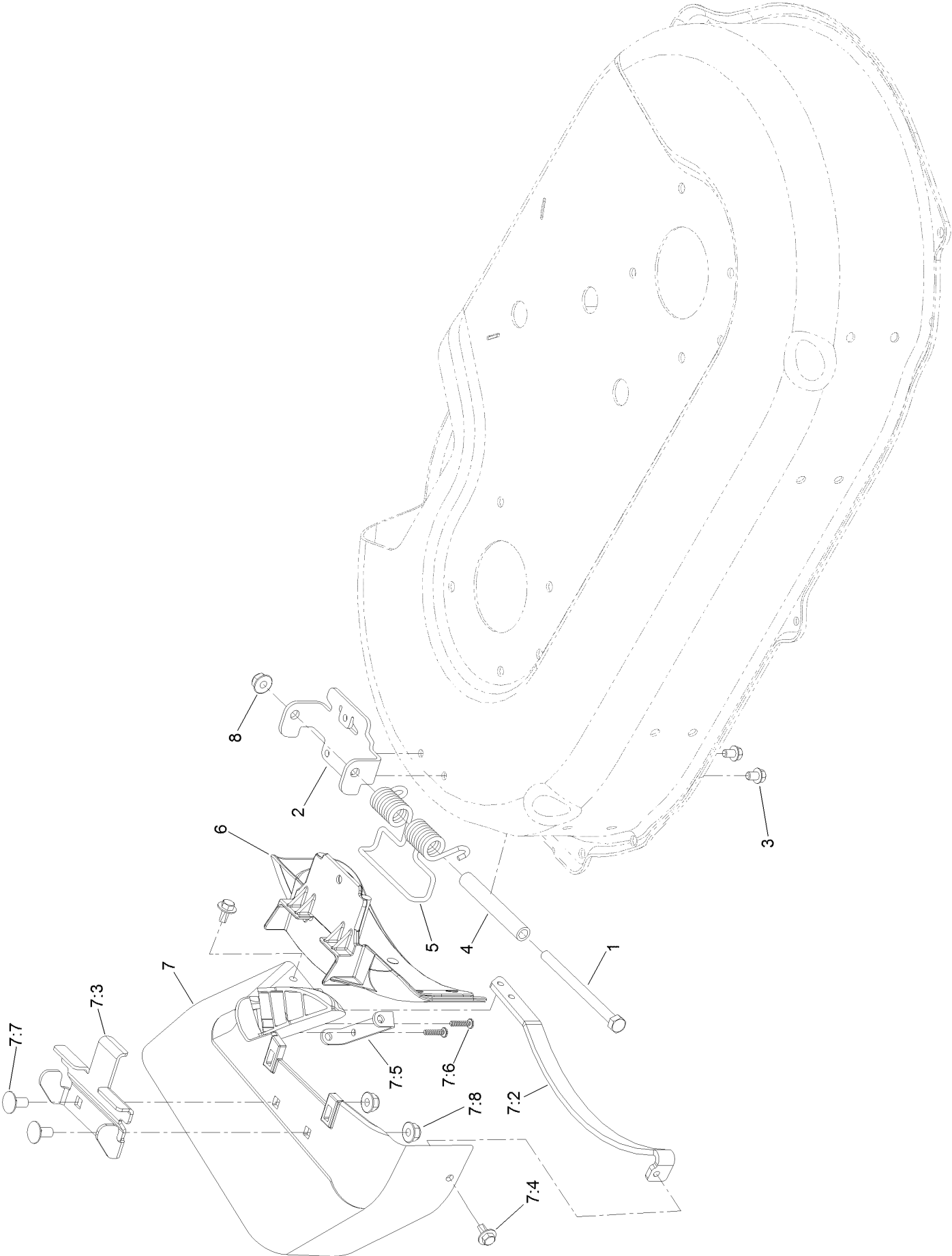




## Pulleys and Idler Assembly No. 126-7890 (continued)

<i>Ref.</i>	<i>Part Number</i>	<i>Qty.</i>	<i>Description</i>	<i>Ref.</i>	<i>Part Number</i>	<i>Qty.</i>	<i>Description</i>
1	126-5880	2	Pulley-Idler, Flat	6	126-6453	1	Bracket-Idler
2	126-7151	2	Plug-Button	7	120-7024	2	Screw-Shoulder, HHF
3	131-4504	1	Adapter-Bore	8	9114524	1	Bolt-TAP, HH
4	3256-3	3	Washer-Flat	9	3296-29	1	Nut-Lock, NI
5	32144-57	2	Screw	10	121-2336	1	Spring-Flat

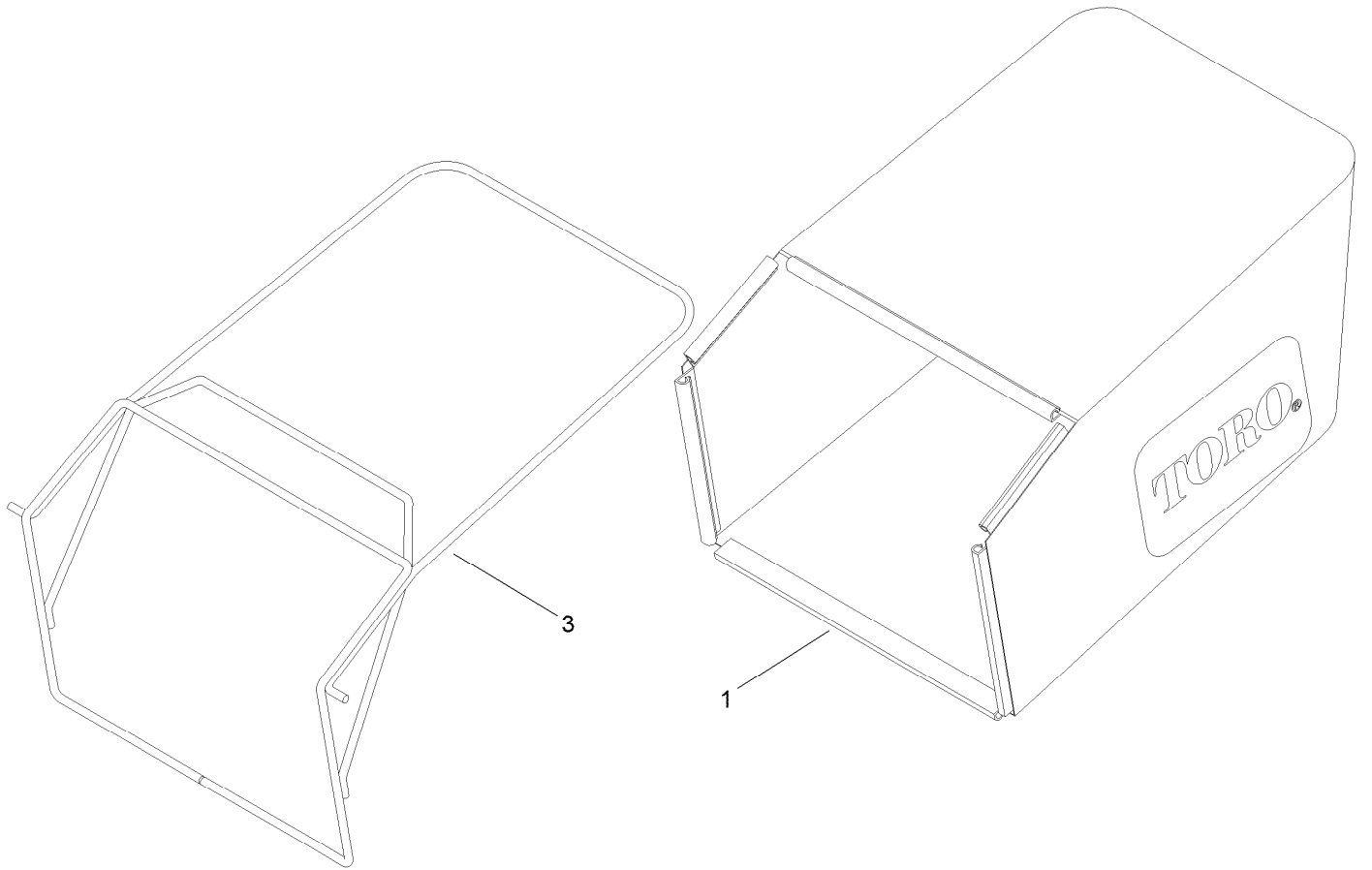
# Side Discharge Chute Assembly



## Side Discharge Chute Assembly (continued)

<i>Ref.</i>	<i>Part Number</i>	<i>Qty.</i>	<i>Description</i>	<i>Ref.</i>	<i>Part Number</i>	<i>Qty.</i>	<i>Description</i>
1	322-38	1	Screw-HH	7:3	121-9196	1	Bracket-Chute
2	121-9195	1	Hinge	7:4	46-8560	2	Screw-HHFTF
3	99-8445	2	Screw-HWH	7:5	112-6416	1	Bracket-Cover
4	125-2478	1	Spacer	7:6	94-4496	2	Screw-PPH
5	121-9193	1	Spring-Torsion	7:7	3230-18	2	Screw-CARR
6	125-5093-01	1	Cover-Discharge	7:8	104-8300	2	Nut-HF, NI
7	116-9754	1	Side Discharge Chute ASM	8	104-8300	1	Nut-HF, NI
7:2	116-9752-03	1	Guard-Chute				

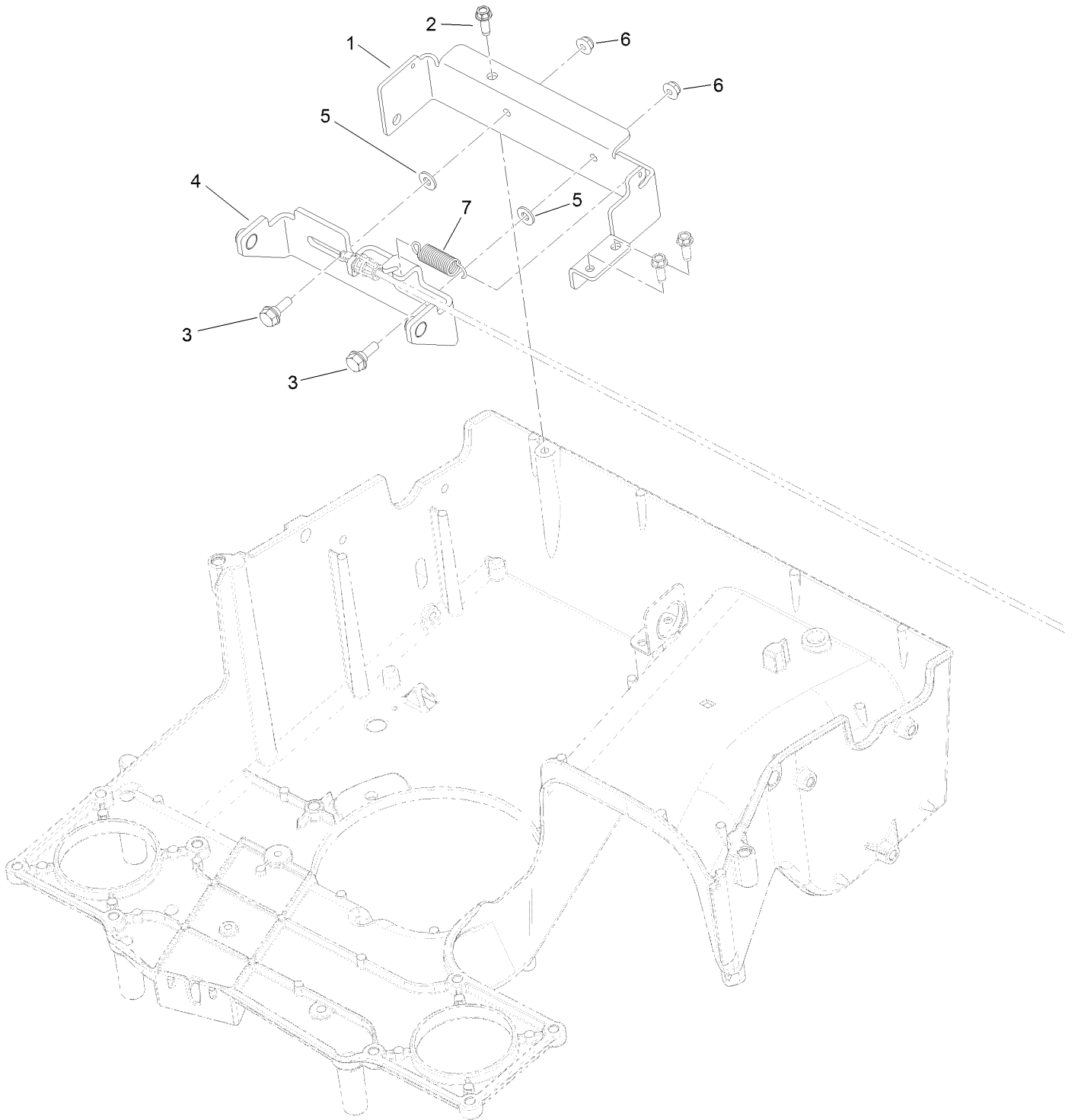
# Grass Bag Assembly



## Grass Bag Assembly (continued)

<i>Ref.</i>	<i>Part Number</i>	<i>Qty.</i>	<i>Description</i>
1	121-5775	1	Grass Bag ASM
3	116-5596-03	1	Frame-Bag

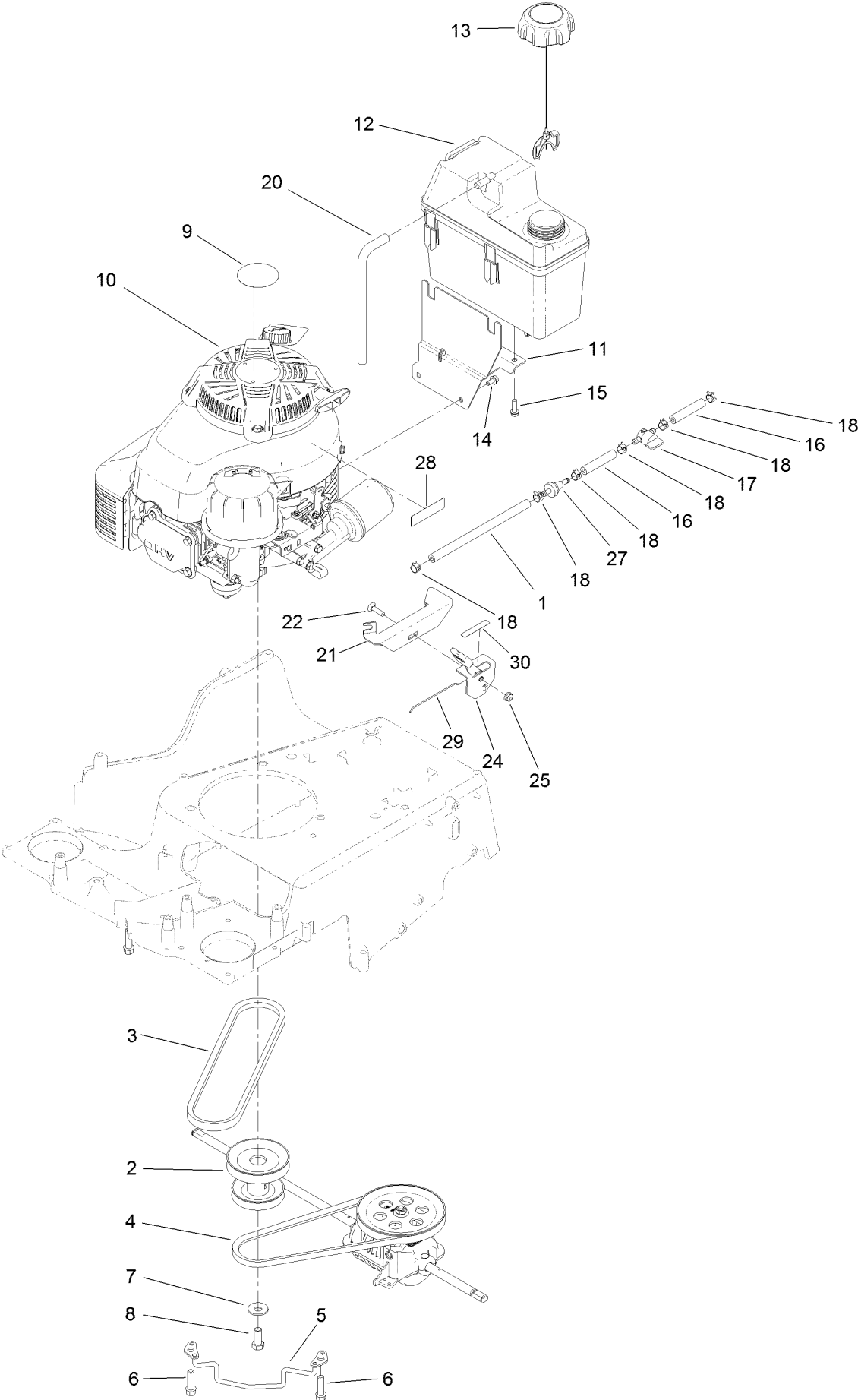
# Brake Assembly



## Brake Assembly (continued)

<i>Ref.</i>	<i>Part Number</i>	<i>Qty.</i>	<i>Description</i>	<i>Ref.</i>	<i>Part Number</i>	<i>Qty.</i>	<i>Description</i>
1	131-9655	1	Bracket	5	3256-22	2	Washer-Flat
2	49-2040	1	Screw-HWHTF	6	104-7201	2	Nut-Hex Flg
3	120-7024	2	Screw-Shoulder, HHF	7	80-4600	1	Spring-Extension
4	131-9656	1	Brake ASM				

# Engine and Fuel Tank Assembly





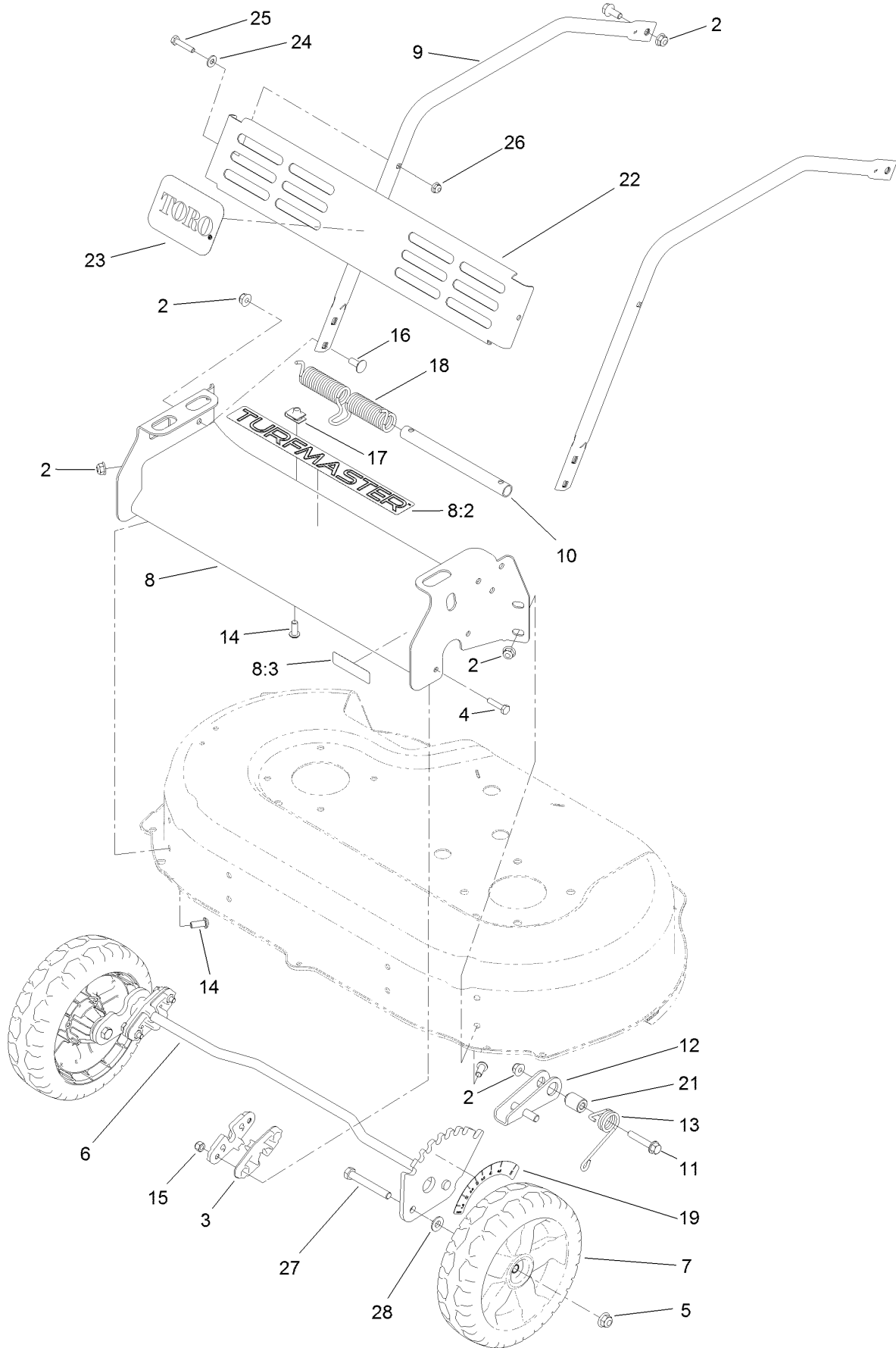
## Engine and Fuel Tank Assembly (continued)

<i>Ref.</i>	<i>Part Number</i>	<i>Qty.</i>	<i>Description</i>	<i>Ref.</i>	<i>Part Number</i>	<i>Qty.</i>	<i>Description</i>
1	119-1892	1	Hose-Fuel	15	46-8091	2	Screw-HWH
2	116-7013	1	Pulley-Engine	16	109-0304	2	Hose-Fuel
3	121-5765	1	V-Belt	17	1-603770	1	Valve-Fuel
4	116-7116	1	Belt	18	2412-98	6	Clamp-Hose
5	120-7077	1	Guide-Belt	20	115-0962	1	Hose-Vent, Canister
6	95-1727	3	Screw-Taptite	21	130-6440-03	1	Bracket-Mount, Throttle
7	3290-465	1	Washer-Belleville	22	3229-30	1	Screw-CARR
8	3212-4	1	Screw-HH	24	130-9655	1	Control-Throttle
9	109-6528	1	Decal-Recoil	25	104-7201	1	Nut-Hex Flg
10		1	Engine-Fj180V Kaw BBC ●■	27	71-9280	1	Filter-Fuel
11	115-0954-03	1	Mount-Tank	28	116-9313	1	Decal-Warning, Engine
12	114-0280	1	Tank-Fuel	29	130-9654	1	Wire-Control
13	115-7788	1	Cap-Fuel	30	130-9656	1	Decal-Throttle, Choke
14	116-8929	3	Screw-HWH				

● Not serviced separately

■ Obtain parts from [www.kawpowerepc.com](http://www.kawpowerepc.com)

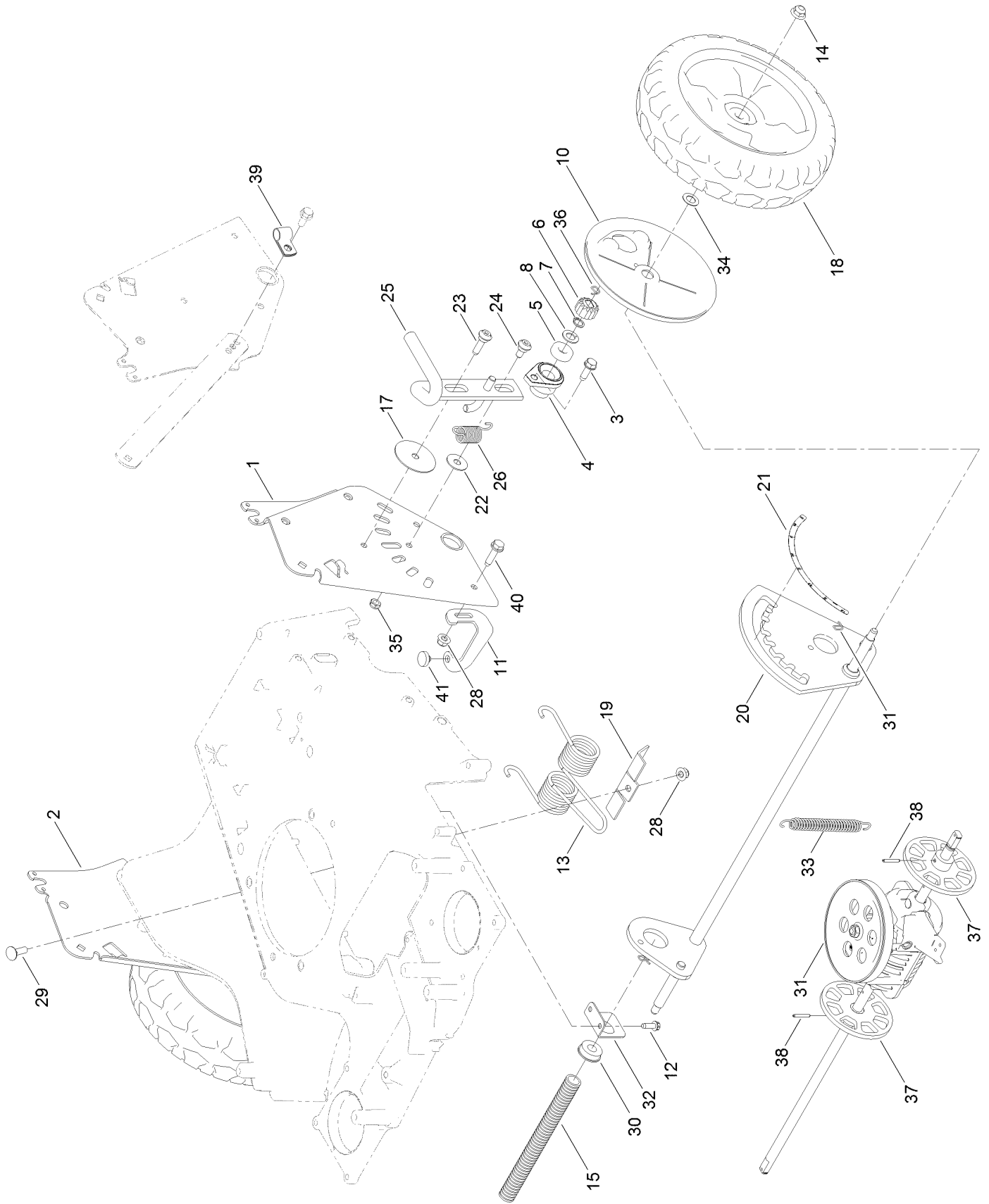
# Front Bumper and Wheel Assembly



## Front Bumper and Wheel Assembly (continued)

<i>Ref.</i>	<i>Part Number</i>	<i>Qty.</i>	<i>Description</i>	<i>Ref.</i>	<i>Part Number</i>	<i>Qty.</i>	<i>Description</i>
2	104-8300	11	Nut-HF, NI	14	3274-55	5	Screw-HSBH
3	121-5781	4	Bushing-Front	15	3296-42	4	Nut-Lock, NI
4	321-7	4	Screw-HH	16	3230-23	6	Screw-CARR
5	104-8301	2	Nut-HF, NI	17	94-2413	1	Nut-U
6	131-0826	1	Axle-Front	18	121-2337	1	Spring-Torsion
7	125-1080	2	Wheel	19	127-6864	1	Decal-HOC, Front
8	125-2488	1	Front Bumper ASM	21	125-2486	1	Spacer
8:2	121-5847	1	Decal	22	121-9187-03	1	Shield
8:3	116-7581	1	Decal-Warning	23	117-0871	1	Decal
9	121-9168-03	2	Brace	24	3256-22	2	Washer-Flat
10	131-9690	1	Mandrell-Spring	25	321-8	2	Screw-HH
11	94-5780	1	Screw-HWH	26	104-7201	2	Nut-Hex Flg
12	125-2483	1	Lock-Height, Adjustment	27	323-13	2	Screw-HH
13	120-9465	1	Spring-Torsion	28	74-1671	2	Spacer-Cover, Wheel

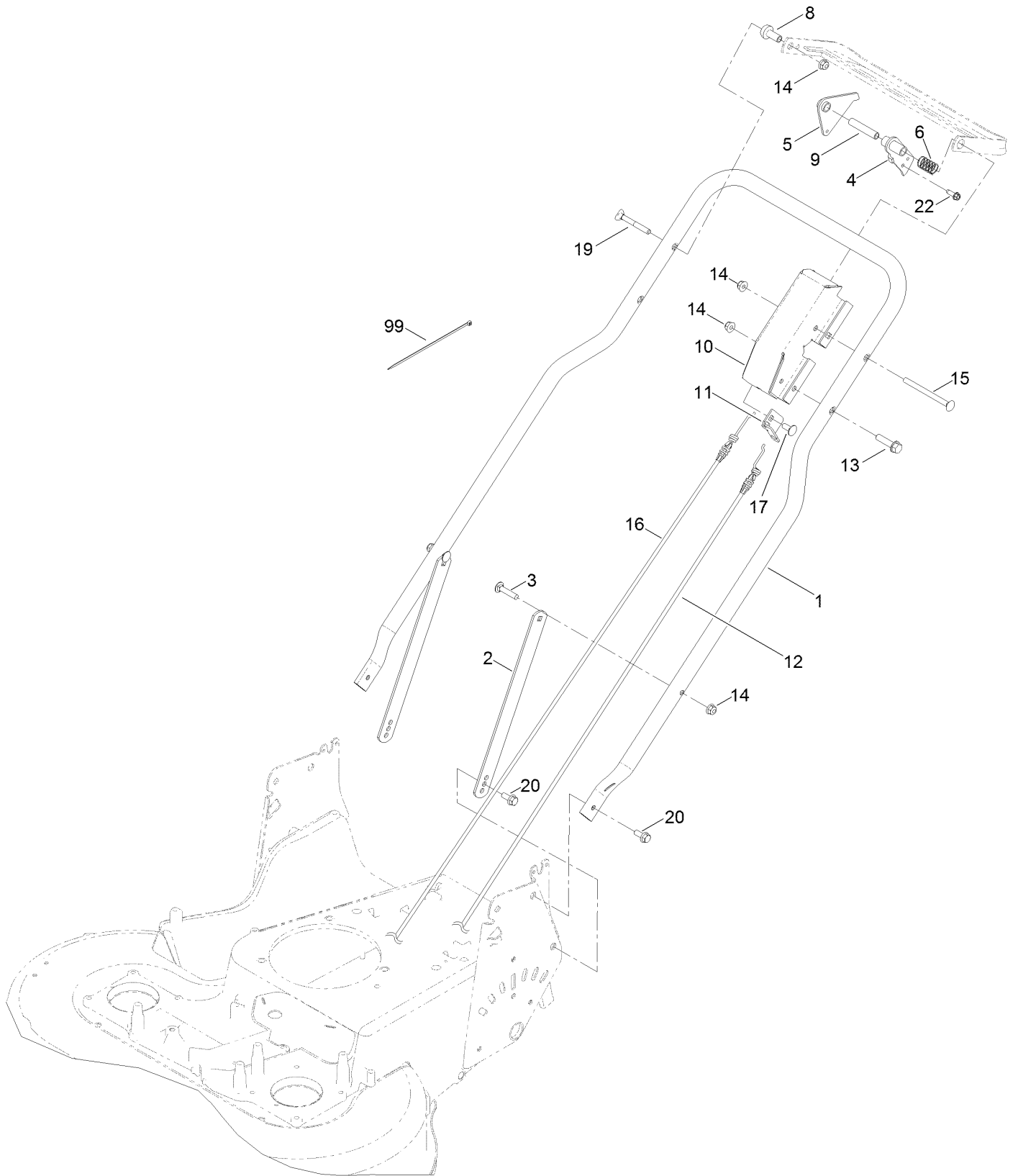
# Traction and Height-of-Cut Assembly



## Traction and Height-of-Cut Assembly (continued)

<i>Ref.</i>	<i>Part Number</i>	<i>Qty.</i>	<i>Description</i>	<i>Ref.</i>	<i>Part Number</i>	<i>Qty.</i>	<i>Description</i>
1	121-2394-03	1	LH HOC Plate ASM	22	52-2860	1	Washer
2	121-2395-03	1	RH HOC Plate ASM	23	119-2267	1	Screw-Shoulder, BHTF
3	701243	6	Screw-HWHTF	24	120-9471	1	Bolt-Shoulder
4	131-5364	2	Retainer-Bearing	25	120-7090	1	Lock-Height, Adjust
5	133-2603	2	Bearing-Ball	26	120-9452	1	Spring-Extension
6	131-5399	2	Gear-Pinion, 15T	28	104-8300	2	Nut-HF, NI
7	32151-61	1	Ring-Retaining	29	3230-2	1	Bolt-CARR
8	110-7191	2	Washer-Thrust	30	104-8699	1	Bearing-Ball
10	125-2480	2	Cover-Gear	31	131-9662	1	Transmission
11	131-5344	1	Bracket-Stop, Adjustable	32	120-7008	1	Mount-Bearing
12	49-2040	2	Screw-HWHTF	33	120-7027	1	Spring-Extension
13	121-2368	1	Spring-Torsion	34	36-4780	2	Washer-Plain
14	104-8301	2	Nut-HF, NI	35	3296-47	1	Nut-Lock, NI
15	121-5799	1	Conduit-Convoluted	36	130-2369	2	Pin-Snap
17	125-2540	1	Washer-Plain	37	131-9652	2	Rotor ASM
18	133-2699	2	10.5 Inch Wheel ASM	38	933156	2	Pin-Roll
19	121-2397	1	Bracket	39	2412-138	1	R-Clamp
20	131-4516	1	Axle-Rear	40	32144-49	1	Screw-HWHTF
21	127-6865	1	Decal-HOC, Rear	41	1-513658	1	Bumper

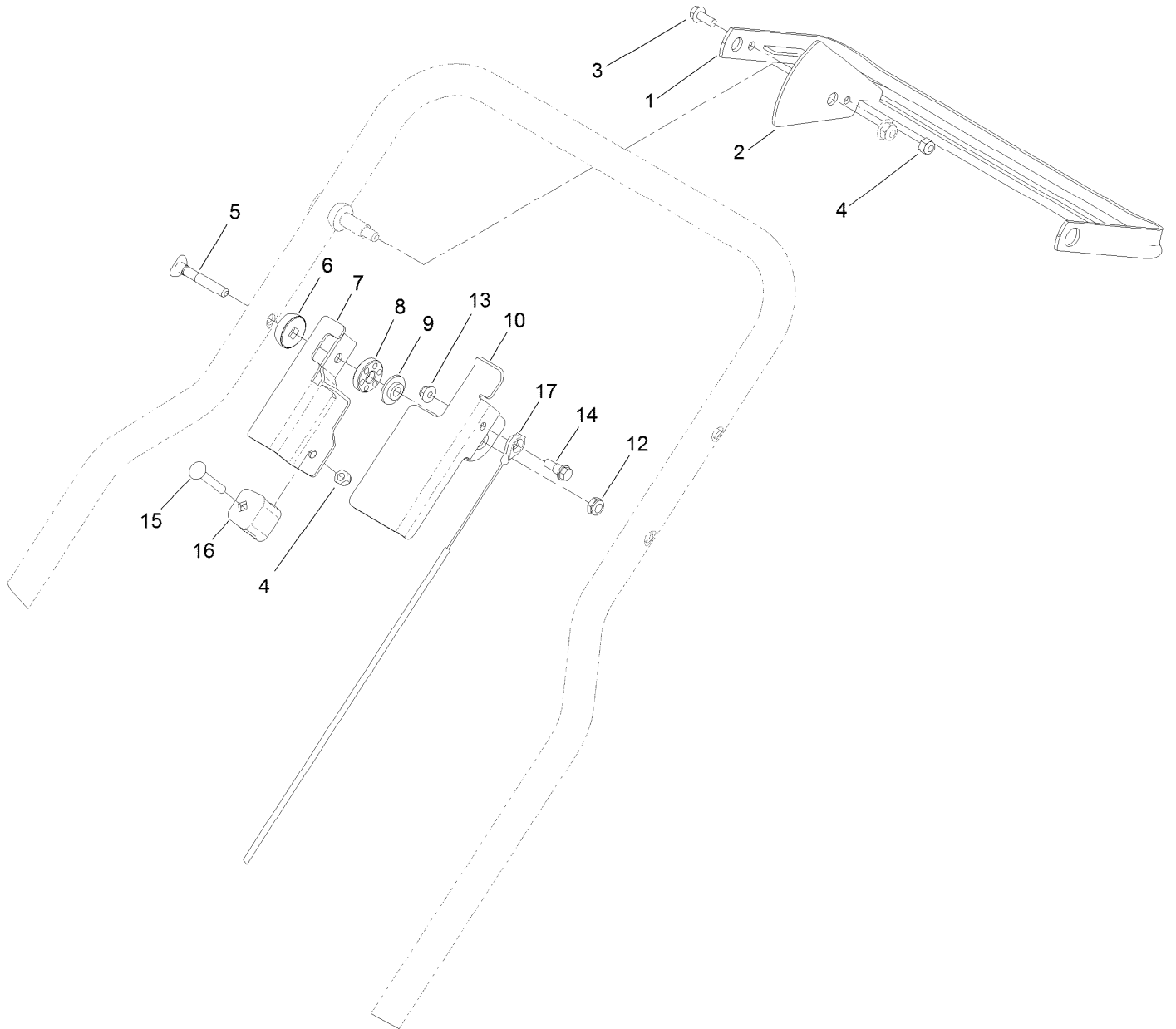
# Handle Assembly



## Handle Assembly (continued)

<i>Ref.</i>	<i>Part Number</i>	<i>Qty.</i>	<i>Description</i>	<i>Ref.</i>	<i>Part Number</i>	<i>Qty.</i>	<i>Description</i>
1	121-5827-03	1	Handle	12	133-8108	1	Cable-Brake, Bss
2	116-8208-03	2	Support-Handle	13	32144-102	1	Screw-HWH
3	3230-4	2	Bolt-CARR	14	104-8300	5	Nut-HF, NI
4	121-5831	1	BBC Lever ASM	15	106-9758	1	Screw-CARR
5	121-9136	1	Lever-Traction	16	127-6868	1	Cable-Traction
6	85-6750	1	Spring-Control	17	3230-23	1	Screw-CARR
8	49-1631	1	Spacer-Support	19	17-9427	1	Screw
9	84-9030	1	Spacer-Bracket, Control	20	116-7230	4	Screw-HHF
10	121-5789-03	1	Bracket-Control	22	49-2040	1	Screw-HWHTF
11	121-9166	1	Bracket	99	614249	3	Tie-Cable

# Brake Cable and Control Bar Assembly

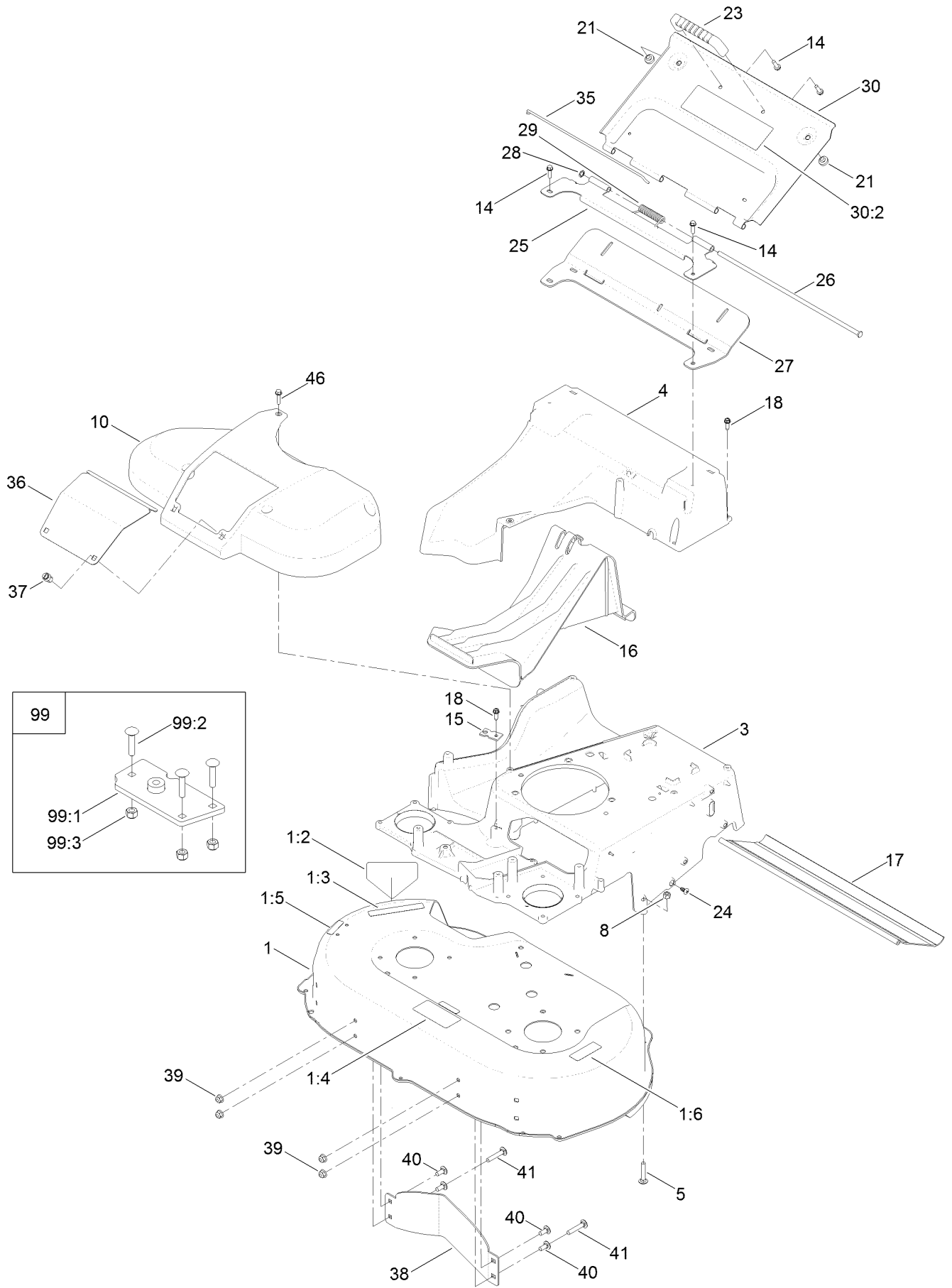




## Brake Cable and Control Bar Assembly (continued)

<i>Ref.</i>	<i>Part Number</i>	<i>Qty.</i>	<i>Description</i>	<i>Ref.</i>	<i>Part Number</i>	<i>Qty.</i>	<i>Description</i>
1	131-9660-03	1	Bar-Control	9	105-3006	1	Washer-Stepped
2	131-9670-03	1	Stop	10	131-9668-03	1	Lever-Brake
3	32144-85	1	Screw-HWH	12	3296-47	1	Nut-Lock, NI
4	3296-73	2	Nut-Lock, NI	13	104-7201	1	Nut-Hex Flg
5	17-9428	1	Screw-Handle	14	42-3560	1	Bolt-Shoulder
6	106-7260	1	Washer-Curved	15	3229-5	1	Screw-CARR
7	131-9669-03	1	Bracket-Anchor, Cable	16	106-6801	1	Anchor-Cable
8	92-4890	1	Washer	17	131-9661	1	Cable-Brake, Parking

# Deck, Frame and Chute Assembly



## Deck, Frame and Chute Assembly (continued)

<i>Ref.</i>	<i>Part Number</i>	<i>Qty.</i>	<i>Description</i>	<i>Ref.</i>	<i>Part Number</i>	<i>Qty.</i>	<i>Description</i>
1	131-4544	1	Deck-30 Inch	25	116-6351-03	1	Bracket-Hinge
1:2	112-8760	1	Decal-Danger	26	116-6933	1	Pin-Hinge
1:3	93-7009	1	Decal-Danger	27	116-6229	1	Seal-Door
1:4	116-8528	1	Decal	28	32151-72	1	Ring-Retaining
1:5	120-9570	2	Decal-Warning	29	116-7573	1	Spring-Torsion, Cover
1:6	121-1449	1	Decal-Warning, Block	30	116-8355	1	Rear Door ASM
3	131-9659-01	1	Frame	30:2	116-7583	1	Decal-Warning
4	133-8177	1	Chute	35	116-6966	1	Clip-Seal
5	3230-5	2	Screw-CARR	36	121-5793-03	1	Door-Access
8	3296-29	2	Nut-Lock, NI	37	121-5840	2	Fastener
10	121-5810	1	Cover-Belt	38	130-2352-01	1	Baffle-Control
14	46-8091	4	Screw-HWH	39	104-8300	4	Nut-HF, NI
15	107-7497	1	Bracket-Cable, Traction	40	3230-23	2	Screw-CARR
16	120-5225	1	Plug-Mulch	41	116-0629	2	Screw-CARR
17	121-5841	1	Shield-Trailing	46	32144-86	1	Screw-HWHTF
18	49-2040	8	Screw-HWHTF	99	125-5072	1	Frame Plate Kit ●
21	1-513658	2	Bumper	99:1	125-2542	1	Plate-Frame
23	65-5100	1	Handle-Door	99:2	3229-3	3	Screw-CARR
24	117-1092	2	Screw-PTH	99:3	3296-42	3	Nut-Lock, NI

● Not illustrated

# Attachments and Accessories

## For 22205TE 76cm TurfMaster Walk-Behind Lawn Mower

<b>Product Name</b>	<b>Model/Part</b>
Atomic Blade 15.4in.....	120-9500-03
Mulching Kit.....	125-5064
Idler Pulley Kit.....	126-7890

**Notes:**

**Notes:**

**Notes:**



**Count on it.**