



Count on it.

Parts Catalog

62in Rotary Mower

**Groundsmaster® 360 Series and 7200 Series
Traction Unit**

Model No. 30457—Serial No. 40000000 and Up



Ordering Replacement Parts

To order replacement parts, please supply the part number, the quantity, and the description of each part desired.

Understanding Reference Numbers

Each identified part in an illustration has a reference number. The reference number for a part also appears in the parts list, along with other information about the part.

This catalog uses two special reference number formats, one to indicate parts in a service assembly and another to indicate the quantity of a given part in an illustration.

Service Assembly Reference Numbers

Parts in service assemblies have reference numbers in the form a:b. The a represents the reference number of the entire service assembly and the b represents a sequential number unique to each part within the service assembly.

For example, a wheel assembly might be identified by reference number 6, the tire by 6:1, the valve by 6:2, and the wheel by 6:3. When you order the assembly identified by reference number 6, you receive all parts identified by reference numbers 6:1, 6:2, and 6:3. However, you may also order any part individually. Reference numbers of this type appear in illustration and in parts lists.

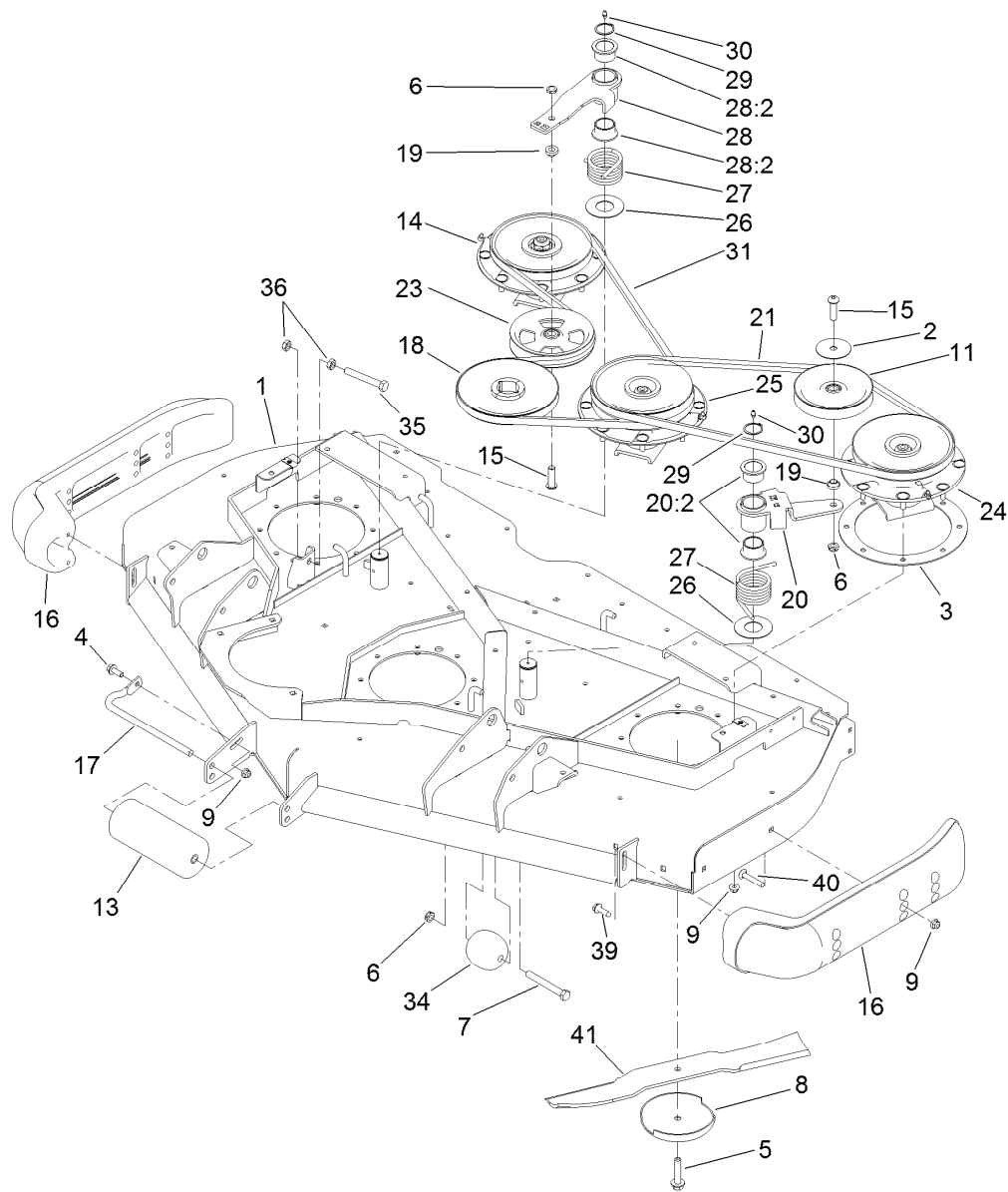
Reference Numbers Indicating Quantity

In an illustration, if a reference number indicates more than one part, the reference number has the form nX y. The n represents the quantity of the part, the X is the multiplication symbol, and the y represents the reference number.

For example, in an illustration, the reference number 2X 37 means that two of the parts identified by reference number 37 are indicated.

Contents

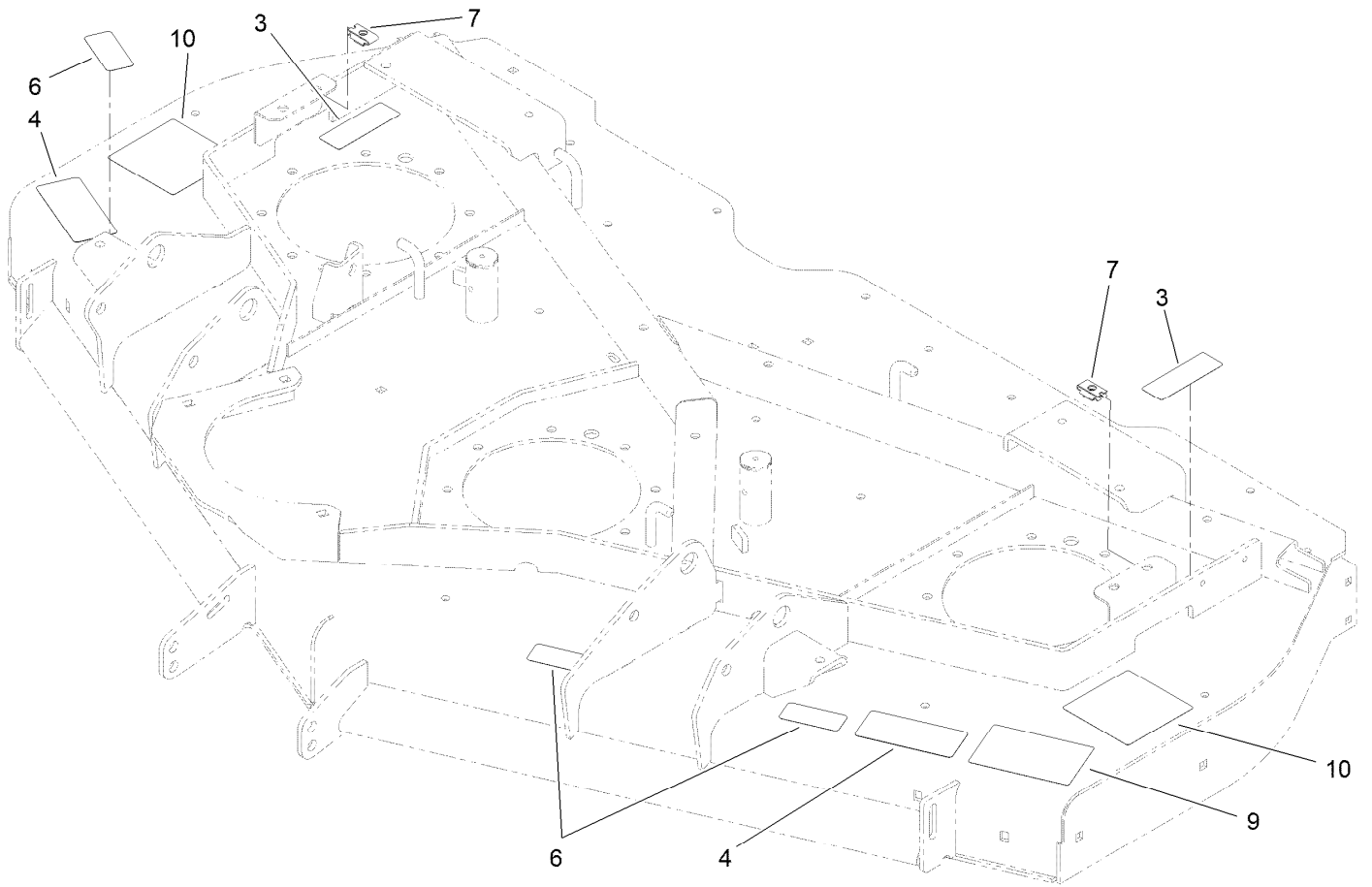
Roller, Belt and Pulley Assembly	4
Deck Decal Assembly No. 127-6472	5
Low Driven Spindle Assembly No. 119-4776	6
High Driven Spindle Assembly No. 119-4549	7
Double Driven Spindle Assembly No. 119-4548	8
Deck Cover and Gearbox Assembly	9
Gearbox Assembly No. 130-8659	10
Pull Link Assembly	11



Roller, Belt and Pulley Assembly

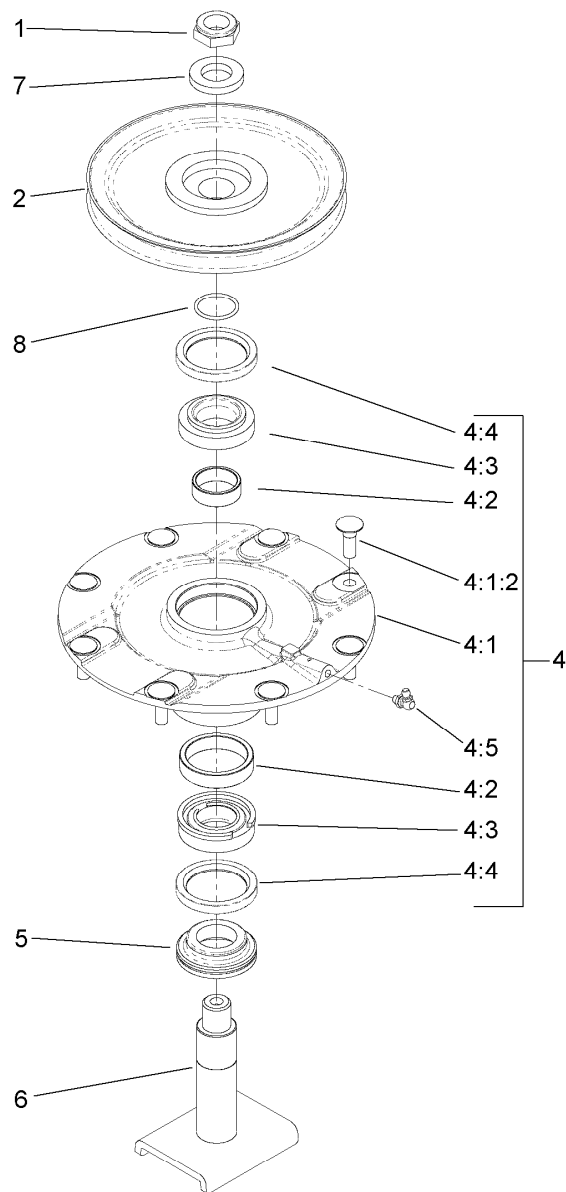
Ref.	Part Number	Qty.	Description	Ref.	Part Number	Qty.	Description
1	127-6472	1	Deck ASM	21	110-9595	1	Belt-V
2	100-3102	1	Washer-Flat	23	132-9421	1	Pulley-Idler, Flat
3	120-6603-03	3	Ring-Doubler	24	119-4549	1	High-Driven Spindle ASM
4	3234-42	1	Screw-HHF	25	119-4548	1	Double Driven Spindle ASM
5	92-5816	3	Bolt-Blade	26	108-1926	2	Washer
6	3296-45	4	Nut-Lock, NI	27	108-1921	2	Spring-Torsion
7	325-17	2	Screw-HH	28	108-1930	1	Idler Arm ASM
8	72-9361	3	Cup-Scalp, Anti	28:2	93-4510	2	Bushing-Caster
9	104-8301	29	Nut-Flange, NI	29	32120-84	2	Ring-Snap, External
11	01-268-0160	1	Pulley-Idler	30	302-5	2	Fitting-Grease
13	68-6710	1	Roller	31	110-9594	1	Belt-V
14	119-4776	1	Low-Driven Spindle ASM	34	29-4820	2	Roller
15	108-1993	2	Screw-HSBH	35	325-14	1	Screw-HH
16	112-1479	2	Skid-Bumper, Deck	36	3218-5	2	Nut-Jam
17	68-6840	1	Shaft-Roller	39	9136144	2	Screw-HWHTF
18	107-4767	1	Pulley	40	3231-33	4	Screw-CARR
19	108-1924	2	Spacer-Idler	41	107-0214-03	3	Blade-Atomic, 21.75 In ●
20	117-9176	1	Idler Arm ASM	41	110-6115-03	3	Blade-Flat Sail, 21.75 In ●
20:2	93-4510	2	Bushing-Caster	41	92-5608-03	3	Blade

● Not illustrated



Deck Decal Assembly No. 127-6472

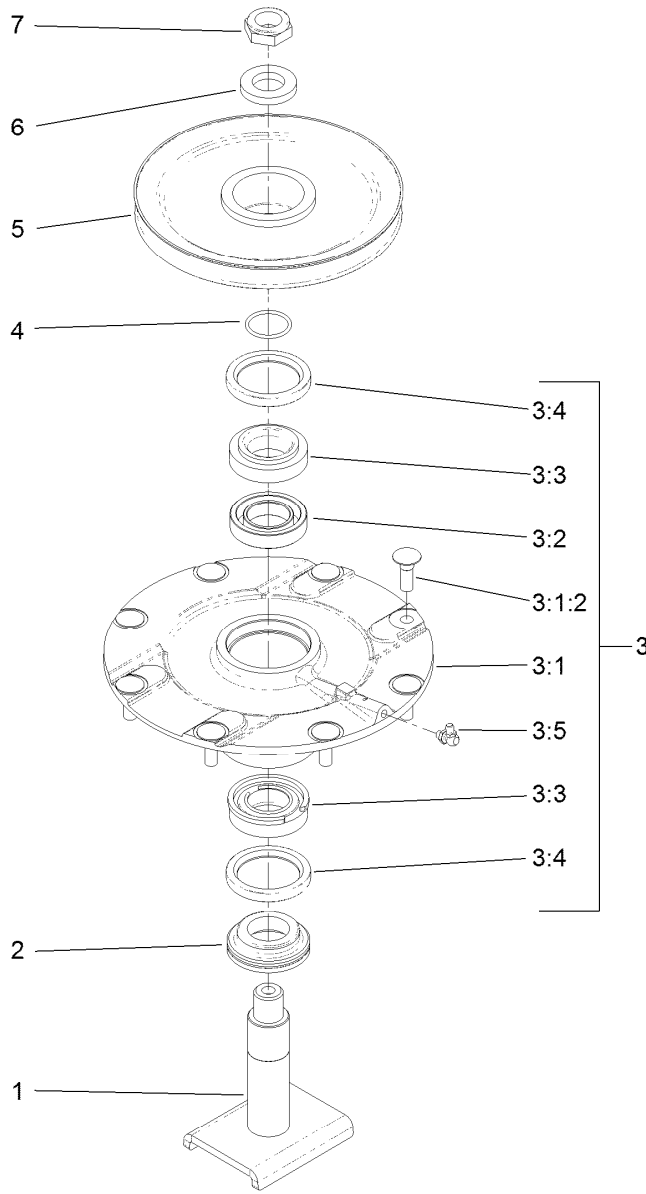
<i>Ref.</i>	<i>Part Number</i>	<i>Qty.</i>	<i>Description</i>
3	117-4979	2	Decal-Warning, Shields
4	93-7818	2	Decal-Torque, Blade Bolt
6	93-6696	3	Decal-Warning
7	110-3510	4	Nut-Retainer
9	66-1630	1	Decal
10	120-6604	2	Decal-Danger



Low Driven Spindle Assembly No. 119-4776

<i>Ref.</i>	<i>Part Number</i>	<i>Qty.</i>	<i>Description</i>
1	3296-60	1	Nut-Lock, NI
2	104-3546	1	Pulley-Driven, Low
4	119-4775	1	Spindle Housing ASM
4:1		1	Spindle ASM ●
4:1:2	114-8195	8	Bolt-Ribbed Neck
4:2	120-5577	1	Bearing Spacer Set
4:3	110-8297	1	Bearing ASM
4:4	253-154	2	Seal-Oil
4:5	302-60	1	Fitting-Grease
5	69-6950	1	Spacer-Shaft, Spindle
6	104-3554	1	Shaft-Spindle
7	120-5576	1	Washer-Hardened
8	106-7159	1	O-Ring

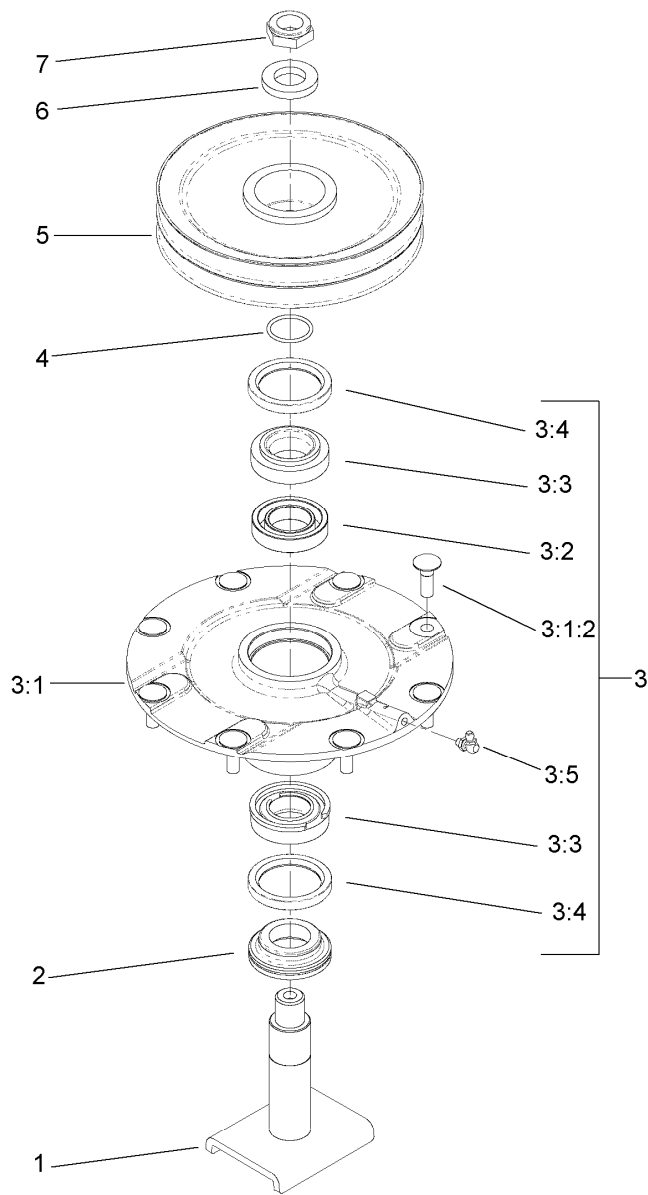
● Not serviced separately



High Driven Spindle Assembly No. 119-4549

Ref.	Part Number	Qty.	Description
1	104-3554	1	Shaft-Spindle
2	69-6950	1	Spacer-Shaft, Spindle
3	119-4775	1	Spindle Housing ASM
3:1		1	Spindle ASM ●
3:1:2	114-8195	8	Bolt-Ribbed Neck
3:2	120-5577	1	Bearing Spacer Set
3:3	110-8297	1	Bearing ASM
3:4	253-154	2	Seal-Oil
3:5	302-60	1	Fitting-Grease
4	106-7159	1	O-Ring
5	104-3548	1	Pulley-Driven, High
6	120-5576	1	Washer-Hardened
7	3296-60	1	Nut-Lock, NI

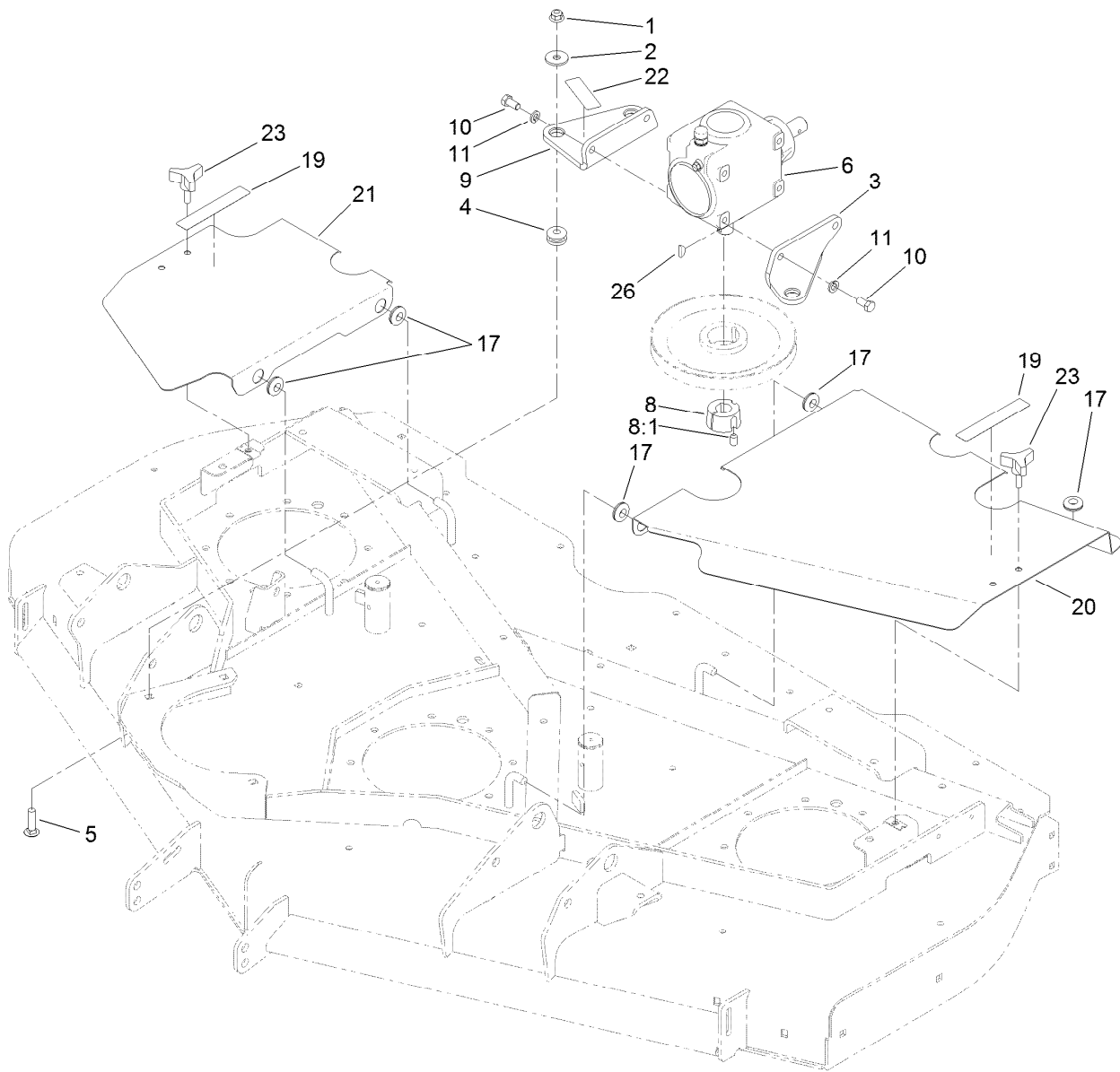
● Not serviced separately



Double Driven Spindle Assembly No. 119-4548

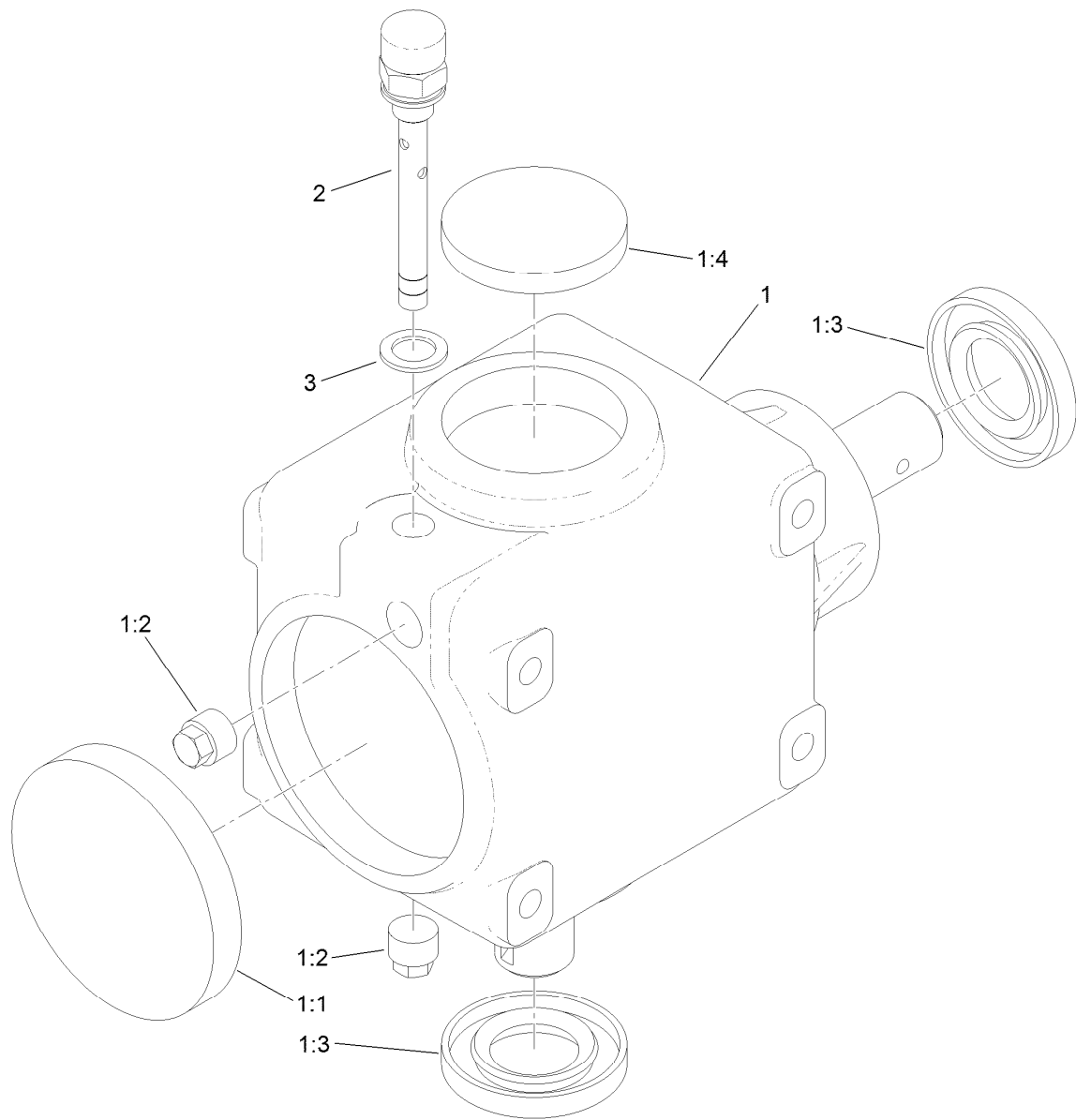
Ref.	Part Number	Qty.	Description
1	104-3554	1	Shaft-Spindle
2	69-6950	1	Spacer-Shaft, Spindle
3	119-4775	1	Spindle Housing ASM
3:1		1	Spindle ASM ●
3:1:2	114-8195	8	Bolt-Ribbed Neck
3:2	120-5577	1	Bearing Spacer Set
3:3	110-8297	1	Bearing ASM
3:4	253-154	2	Seal-Oil
3:5	302-60	1	Fitting-Grease
4	106-7159	1	O-Ring
5	104-3547	1	Pulley-Driven, Double
6	120-5576	1	Washer-Hardened
7	3296-60	1	Nut-Lock, NI

● Not serviced separately



Deck Cover and Gearbox Assembly

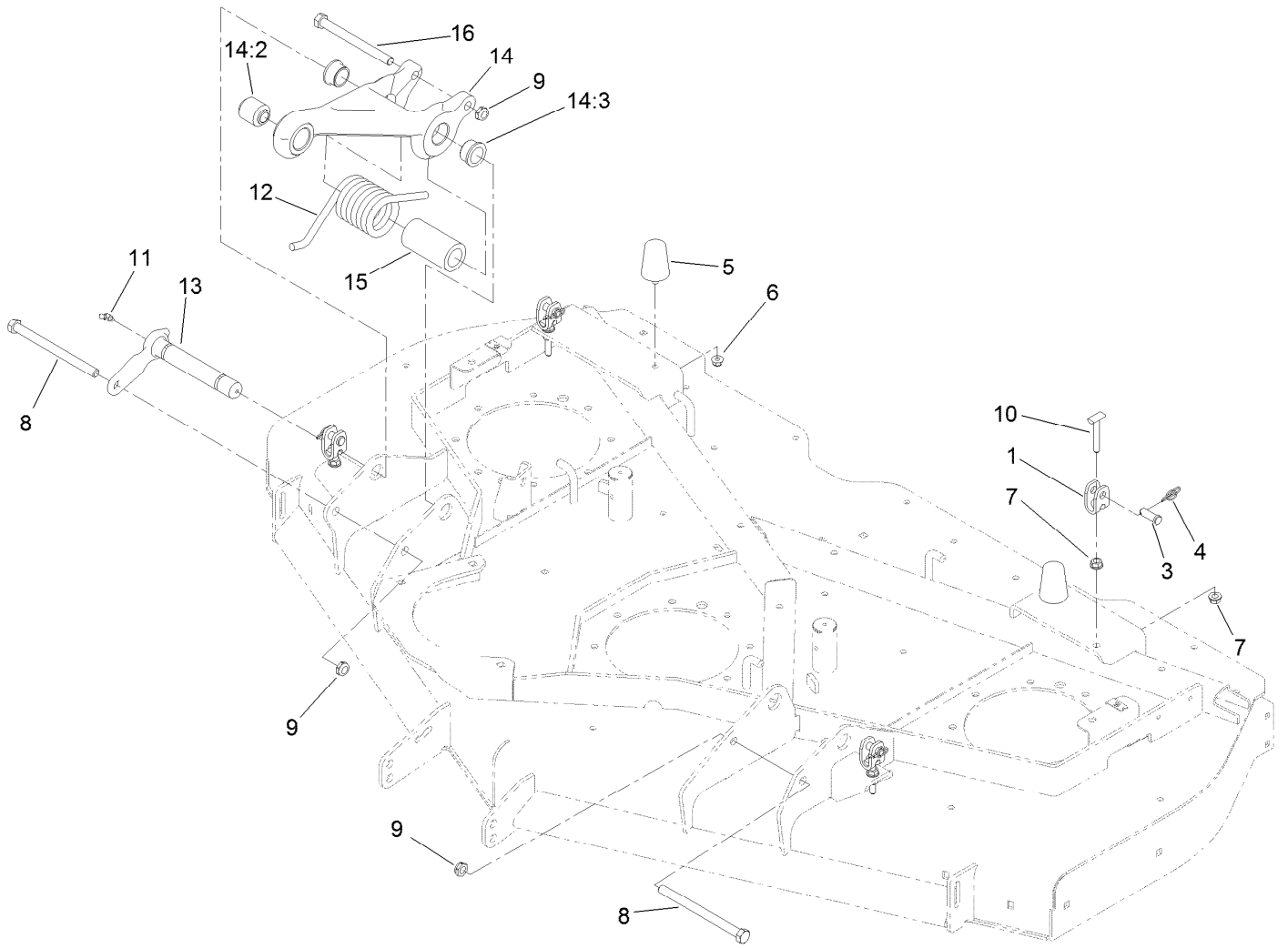
<i>Ref.</i>	<i>Part Number</i>	<i>Qty.</i>	<i>Description</i>	<i>Ref.</i>	<i>Part Number</i>	<i>Qty.</i>	<i>Description</i>
1	104-8301	3	Nut-Flange, NI	10	323-4	4	Screw-HH
2	63-8410	3	Washer	11	3253-21	4	Washer-Lock
3	110-6384-03	1	Bracket-Gearbox, LH	17	112-9559	5	Grommet
4	63-9750	3	Mount	19	93-6687	2	Decal-No Step
5	3231-26	3	Screw-CARR	20	112-1458-03	1	Cover-Deck, LH
6	130-8659	1	Gearbox ASM	21	112-1459-03	1	Cover-Deck, RH
8	23-1640	1	Bushing-Taperlock	22	93-6697	1	Decal-Lube
8:1	3247-4	2	Screw-Set	23	106-2240	2	Knob
9	110-6385-03	1	Bracket-Gearbox, RH	26	3257-5	1	Key-Woodruff



Gearbox Assembly No. 130-8659

<i>Ref.</i>	<i>Part Number</i>	<i>Qty.</i>	<i>Description</i>
1		1	Gearbox ASM ●
1:1	107-2932	1	Cap-Oil
1:2	107-2933	2	Plug
1:3	117-9247	2	Seal
1:4	107-2935	1	Cap-Oil
2	130-8661	1	Plug-Breather
3	130-4899	1	Washer

● Not serviced separately



Pull Link Assembly

<i>Ref.</i>	<i>Part Number</i>	<i>Qty.</i>	<i>Description</i>	<i>Ref.</i>	<i>Part Number</i>	<i>Qty.</i>	<i>Description</i>
1	115-1429	4	Yoke-Clevis	11	302-11	4	Fitting-Lube, 45 DEG
3	700601	4	Pin-Clevis	12	112-9520	2	Spring-Torsion
4	112-1491	4	Pin-Cotter	13	120-5570	2	Pin-Retainer
5	110-5070	2	Bumper	14	112-1625	2	Pull Link ASM
6	104-8300	2	Nut-Flange, NI	14:2	107-2328	1	Bushing
7	3290-357	8	Nut-HHF, Whiz	14:3	114-5680	2	Bushing-Flange
8	325-33	2	Screw-HH	15	110-9845	2	Spacer-Plain
9	3296-45	4	Nut-Lock, NI	16	325-22	2	Screw-HH
10	125-9450	4	T-BAR				



Count on it.