

Carefree[®] Electric

Walk Power Mower

Model No. 20645-6900001 & Up

Tondeuse motorisée à guidage arrière

Electrique Carefree[®]

Modèle No. 20645-6900001 et suivants

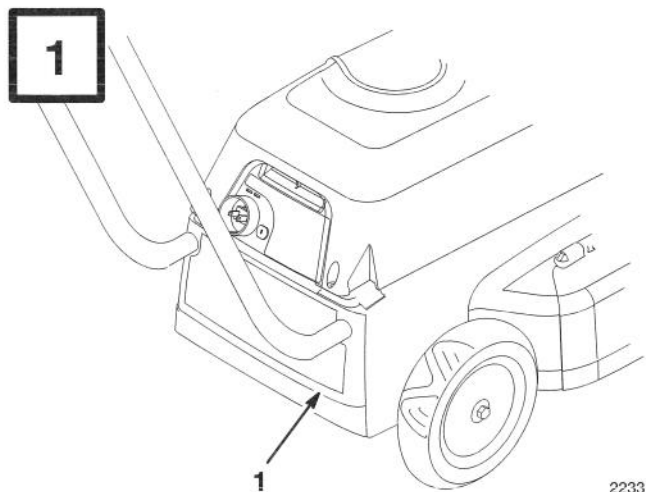
Cortadora de césped motorizada empujada por el usuario

Eléctrica Carefree[®]

Modelos N. 20645-6900001 y siguientes

**Operator's Manual
Manuel de l'Utilisateur
Manual del Operador**

Figures — Figuras



English

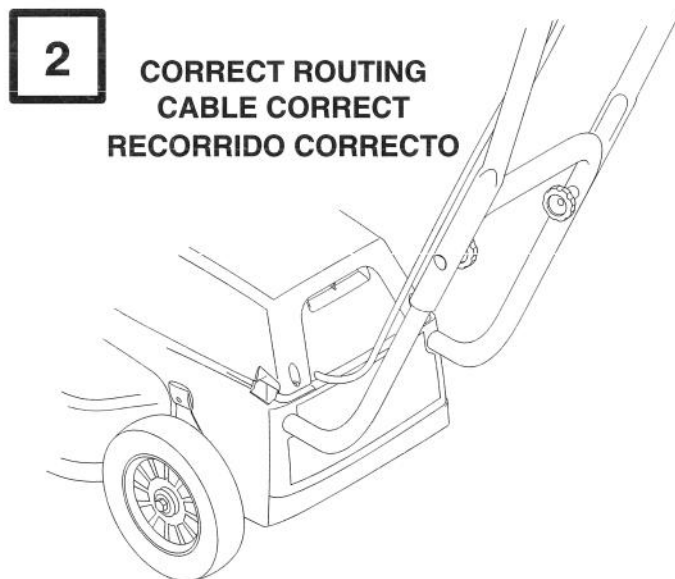
1. Model and serial number engraved in mower housing

Français

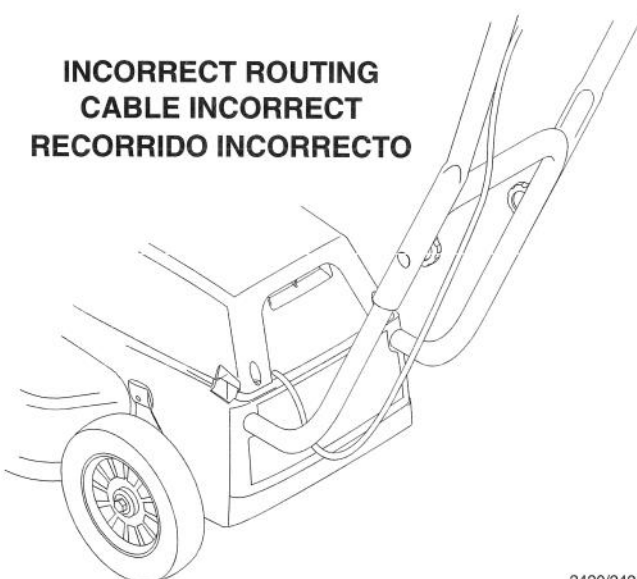
1. Numéros de modèle et de série gravés sur le carter de tondeuse

Español

1. Modelo y número de serie grabados en la caja de la cortadora



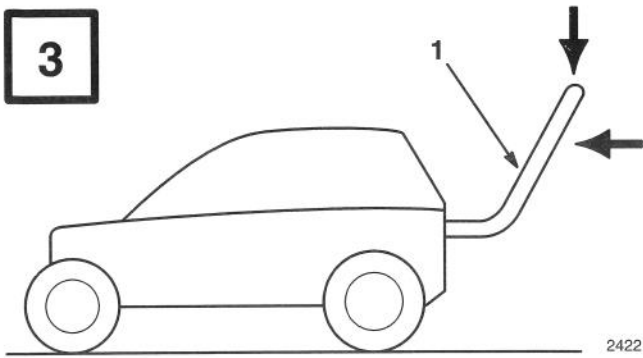
2 CORRECT ROUTING
CABLE CORRECT
RECORRIDO CORRECTO



2 INCORRECT ROUTING
CABLE INCORRECT
RECORRIDO INCORRECTO

2420/2421

3



English

- 1. Lower handle

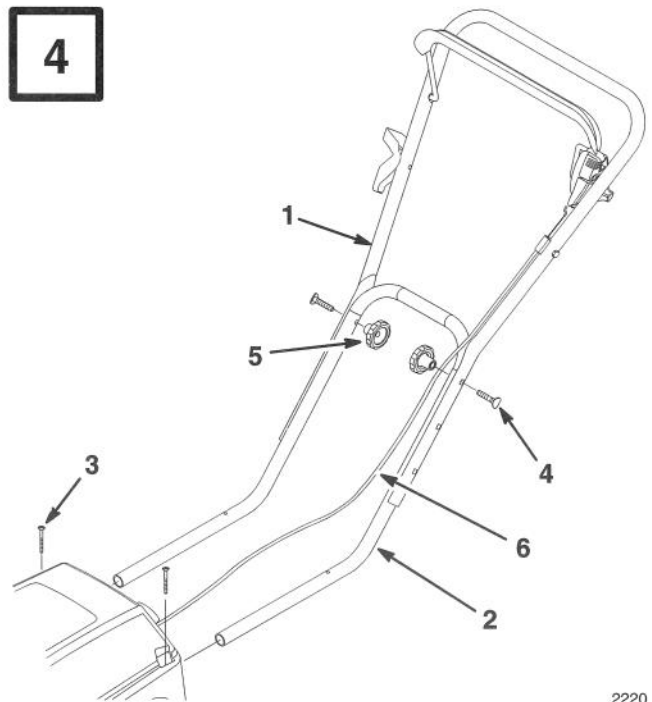
Français

- 1. Mancheron inférieur

Español

- 1. Manija inferior

4



English

- 1. Upper handle
- 2. Lower handle
- 3. Screw (2)
- 4. Bolt (2)
- 5. Knob (2)
- 6. Control cable

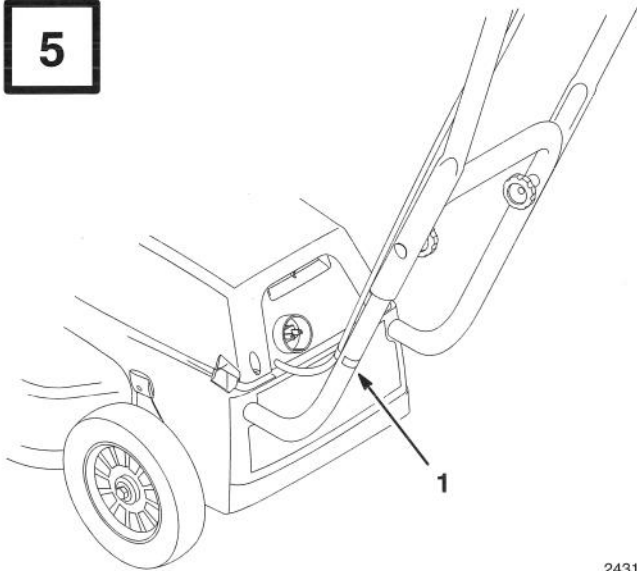
Français

- 1. Mancheron supérieur
- 2. Mancheron inférieur
- 3. Vis (2)
- 4. Boulon (2)
- 5. Bouton
- 6. Câble de commande

Español

- 1. Manija superior
- 2. Manija inferior
- 3. Tornillo (2)
- 4. Perno (2)
- 5. Perilla (2)
- 6. Cable de control

5



2431

English

- 1. Clip

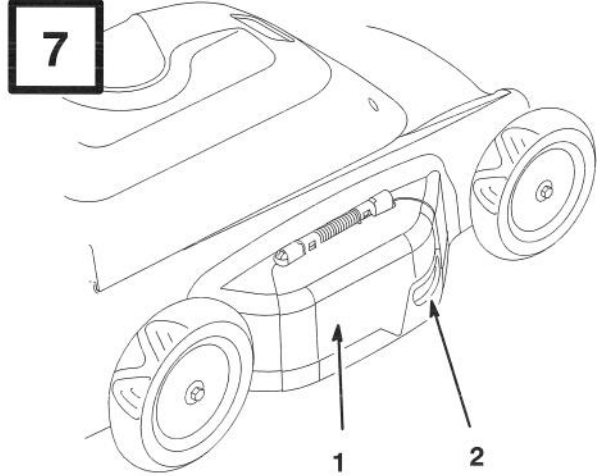
Français

- 1. Pince

Español

- 1. Grapa

7



2225

English

- 1. Mulch door

- 2. Handle

Français

- 1. Porte de paillage

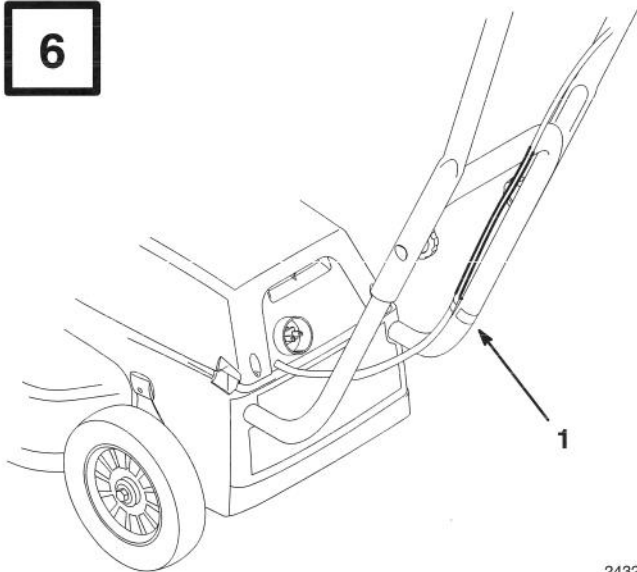
- 2. Poignée

Español

- 1. Puerta de distribución de fertilizantes orgánicos

- 2. Asa

6



2432

English

- 1. Clip

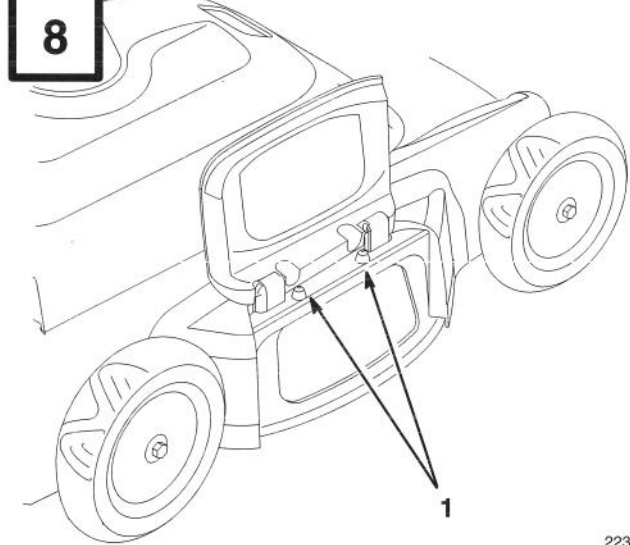
Français

- 1. Pince

Español

- 1. Grapa

8



2232

English

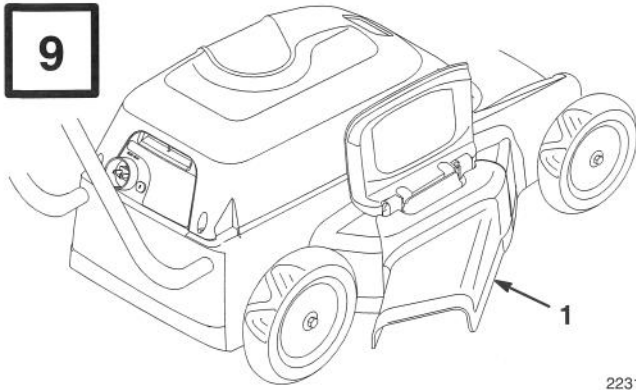
- 1. Peg (2)

Français

- 1. Chevilles (2)

Español

- 1. Clavija (2)



2231

English

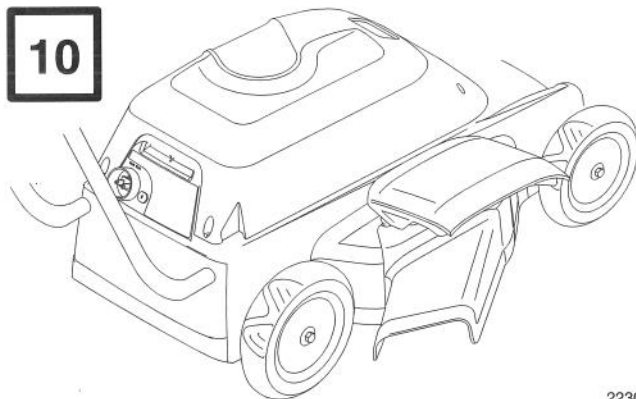
1. Side discharge chute

Français

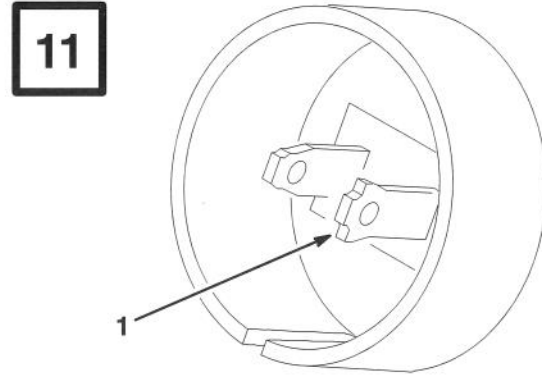
1. Ejecteur latéral

Español

1. Canaleta de descarga lateral



2230



2214

English

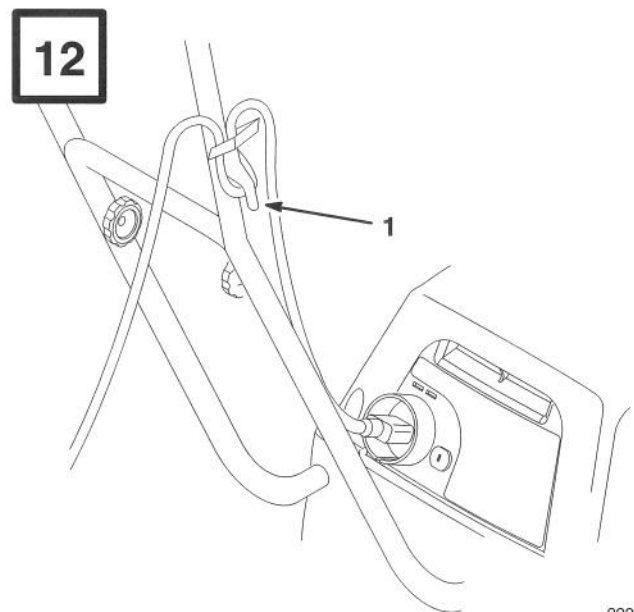
1. Wide blade

Français

1. Broche large

Español

1. Patilla ancha



2224

English

1. Cord lock

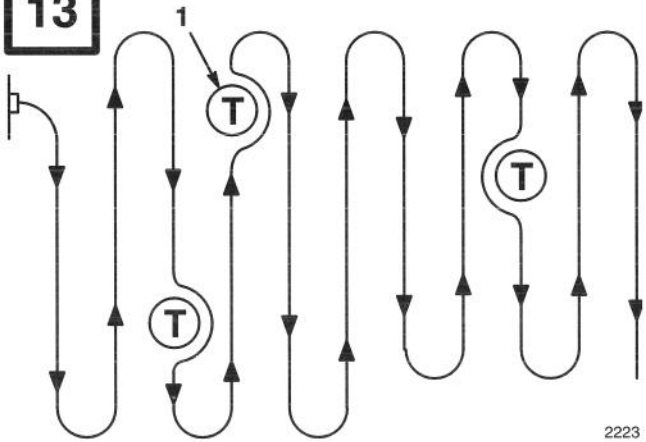
Français

1. Accrochage du cordon

Español

1. Bloqueo para el cable

13



2223

English

1. T = obstacles

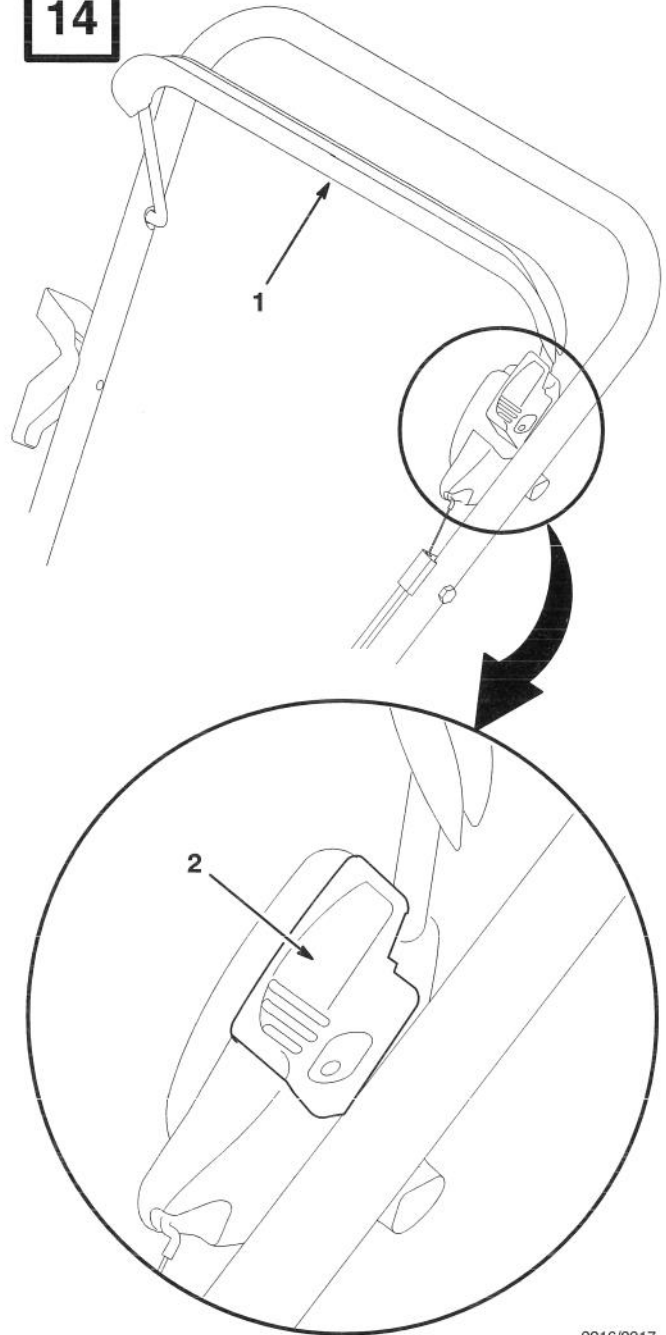
Français

1. T = obstacles

Español

1. T = obstáculos

14



2216/2217

English

1. Control bar

2. Slide pushed down

Français

1. Barre de commande

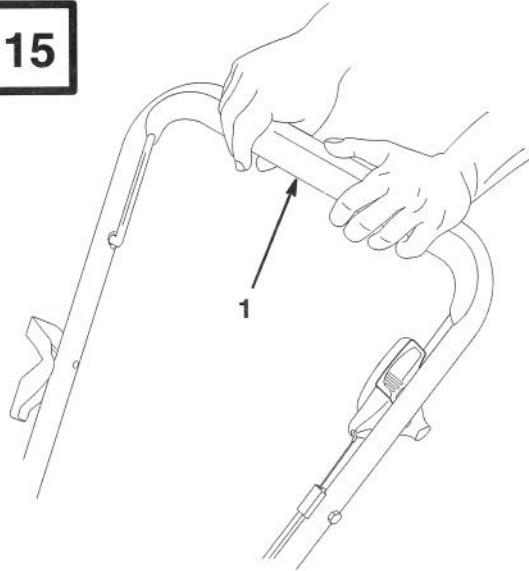
2. Pièce coulissante abaissée

Español

1. Barra de control

2. Guía de deslizamiento empujada hacia abajo

15



2219

English

1. Control bar

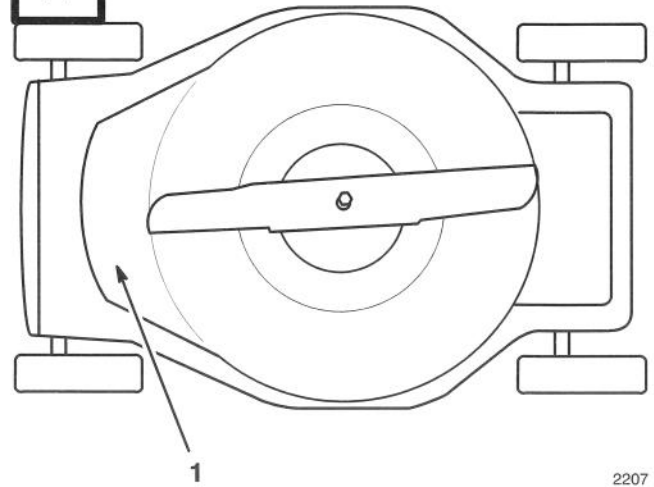
Français

1. Barre de commande

Español

1. Barra de control

17



2207

English

1. Front cavity

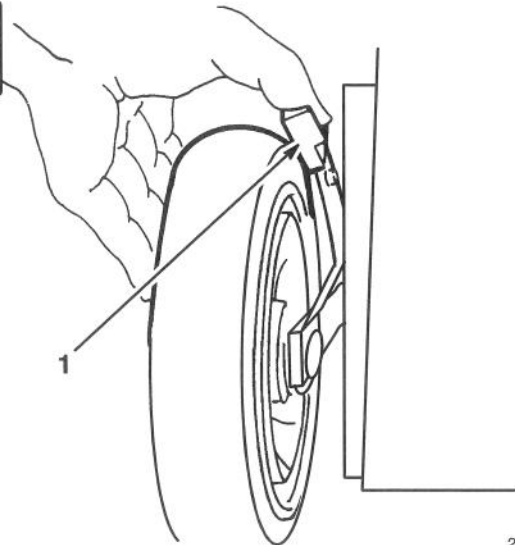
Français

1. Cavité avant

Español

1. Cavidad delantera

16



2215

English

1. Height-of-cut adjustment lever

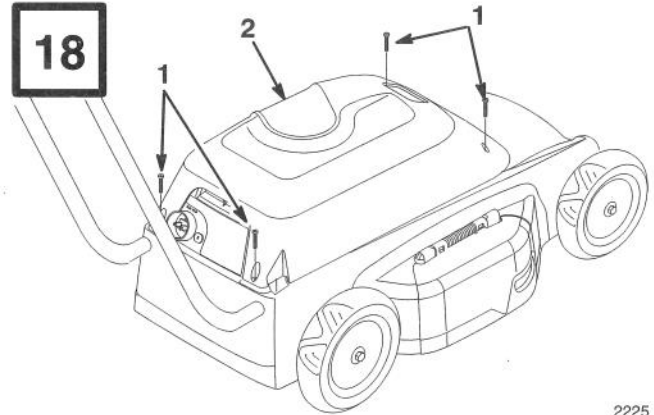
Français

1. Levier de réglage de la hauteur de coupe

Español

1. Palanca de ajuste de la altura de corte

18



2225

English

1. Screw (4)

2. Shroud

Français

1. Vis (4)

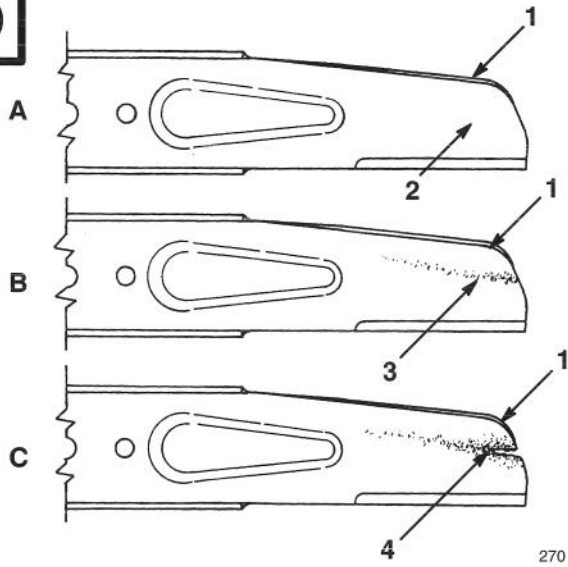
2. Capot

Español

1. Tornillo (4)

2. Cubierta

19



English

- 1. Sail
- 2. Flat part of blade
- 3. Wear
- 4. Slot formed

Français

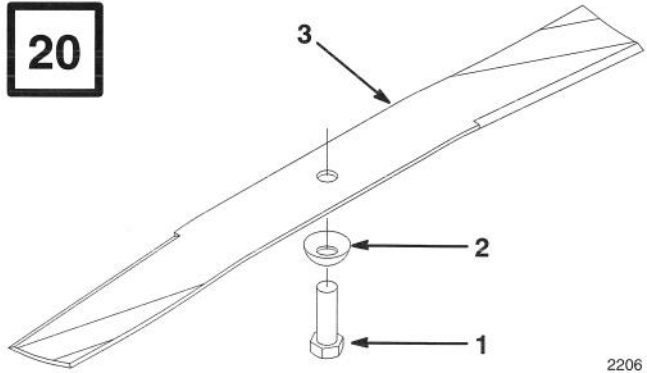
- 1. Partie incurvée
- 2. Partie plane de la lame
- 3. Usure
- 4. Apparition d'une fente

Español

- 1. Aleta
- 2. Parte plana de la cuchilla
- 3. Desgaste
- 4. Ranura formada

270

20



2206

English

- 1. Blade bolt
- 2. Washer
- 3. Blade

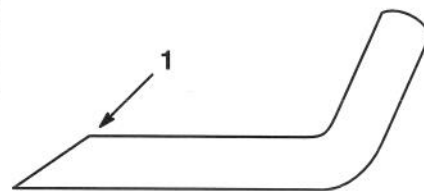
Français

- 1. Écrou de lame
- 2. Rondelle
- 3. Lame

Español

- 1. Perno de la cuchilla
- 2. Arandela
- 3. Cuchilla

21



153

English

- 1. Sharpen at this angle only

Français

- 1. Aiguisez à cet angle seulement

Español

- 1. Afile solamente a este angulo

Contents

	Page
Introduction	1
Safety	2
Safe Operating Practices	2
General Operation	2
While Operating	3
Maintenance And Storage	4
Safety and Instruction Decals	5
Assembly	6
Install Handle	6
Install Side Discharge Chute	6
Before Starting	6
Secure Extension Cord	6
Plan Your Mowing Pattern	7
Operation	8
Starting/Stopping Instructions	8
Mowing Tips	8
Adjusting Height-of-Cut	9
Maintenance	10
Cleaning	10
Blade	10
Servicing Double-insulated Mower	11
Storage	11
Wiring Diagram	12
Warranty	Back Cover

Introduction

Thank you for purchasing a Toro product.

All of us at Toro want you to be completely satisfied with your new product, so feel free to contact your local Authorized Service Dealer for help with service, genuine Toro parts, or other information you may require.

Whenever you contact your Authorized Service Dealer or the factory, always know the model and serial numbers of your product. These numbers will help the Service Dealer or Service Representative

provide exact information about your specific product. You will find the model and serial number decal located in a unique place on the product (Fig. 1).

For your convenience, write the product model and serial numbers in the space below.

<p>Model No: _____</p> <p>Serial No. _____</p>
--

Read this manual carefully to learn how to operate and maintain your product correctly. Reading this manual will help you and others avoid personal injury and damage to the product. Although Toro designs, produces and markets safe, state-of-the-art products, you are responsible for using the product properly and safely. You are also responsible for training persons who you allow to use the product about safe operation.

The Toro warning system in this manual identifies potential hazards and has special safety messages that help you and others avoid personal injury, even death. DANGER, WARNING and CAUTION are signal words used to identify the level of hazard. However, regardless of the hazard, be extremely careful.

DANGER signals an extreme hazard that will cause serious injury or death if the recommended precautions are not followed.

WARNING signals a hazard that may cause serious injury or death if the recommended precautions are not followed.


CAUTION signals a hazard that may cause minor or moderate injury if the recommended precautions are not followed.

Two other words are also used to highlight information. "Important" calls attention to special mechanical information and "Note" emphasizes general information worthy of special attention.

The left and right side of the machine is determined by standing behind the handle in the normal operator's position.

Safety

IMPORTANT SAFETY INSTRUCTIONS

This machine meets or exceeds CPSC blade safety requirements for walk-behind rotary mowers and the B71.1 specifications of the American National Standards Institute, in effect at time of production. However, improper use or maintenance by the operator or owner can result in injury. To reduce the potential for injury, comply with these safety instructions and always pay attention to the safety alert  symbol which means CAUTION, WARNING or DANGER—"personal safety instruction." Failure to comply with the instruction may result in personal injury.

WARNING: To reduce the risk of fire, electric shock, and personal injury when using electric lawn mowers, always follow these basic safety precautions.

READ ALL INSTRUCTIONS BEFORE USING THIS MOWER

SAVE THESE INSTRUCTIONS FOR FUTURE REFERENCE!

Safe Operating Practices

This product is capable of amputating hands and feet and throwing objects. Always follow all safety instructions to avoid serious injury or death.

This mower is designed for cutting and mulching grass or, when equipped with a grass bag, for catching cut grass. Any use for purposes other than these could prove dangerous to user or bystanders.

General Operation

1. Read this manual carefully before operating the mower. Become familiar with the controls and proper use of the mower. Never allow children under 16 years of age to operate the mower. Never allow adults to operate mower without proper instructions.
2. The operator of the mower is responsible for keeping everyone, especially children and pets, away from area of operation. The operator is responsible for accidents or hazards occurring to other people or their property.
3. Thoroughly inspect area where mower will be used and remove sticks, stones, wire, and debris that could be picked up and thrown by mower. Watch for foreign objects while mowing.
4. Wear long pants and substantial shoes. Do not operate mower while wearing open-toed shoes, jewelry, loose clothing or when barefoot. Use of rubber gloves and footwear is recommended when working outdoors.
5. Keep all guards, shields, safety devices, side discharge chute or optional grass catcher in place. Repair or replace damaged parts, including decals. Check all safety devices before each use.
6. Motor and blade are designed to stop when control bail is released. Ensure control bail functions properly before each use of mower.
7. Before using, always visually inspect to see that the blades, blade fasteners and cutter assembly are not worn or damaged. Replace worn or damaged blades and fasteners in sets to preserve balance.
8. Only use those accessories and attachments designed to be used with this product. Use of any accessory or attachment not designed for this product may increase the risk of injury.
9. Ground Fault Circuit Interrupter (GFCI) protection should be provided on the circuit(s) or outlet(s) to be used for the lawn mower.

Receptacles are available having built-in GFCI protection and may be used for this measure of safety.

10. **WARNING:** To prevent electric shock, use only with an extension cord suitable for outdoor use, such as SW-A, SOW-A, STW-A, STOW-A, SJW-A, SJOW-A, SJTW-A, or SJTOW-A.
11. Extension Cord – Make sure your extension cord set is in good condition. When using an extension cord, be sure to use one heavy enough to carry the current your product will draw. Refer to Extension Cord Chart, page 6.
12. Properly connect extension cord to mower in order to prevent disconnection of the cord (Fig. 12).

While Operating

1. Do not connect extension cord to mower until you are ready to mow.
2. Start the motor carefully according to instructions and with feet well away from the blade.
3. Use Right Appliance – Do not use mower for any job except that for which it is intended.
4. Stay Alert – Watch what you are doing. Do not operate mower when tired or under the influence of drugs, alcohol or medication.
5. Avoid dangerous environments. Never operate mower in wet grass, or damp locations. Do not use mower in the rain.
6. Do not run motor indoors.
7. Do not operate mower in gaseous, explosive atmospheres. Normal sparking of motor could ignite fumes.
8. Always maintain secure footing. Keep a firm grip on the handle and walk; never run. Mow only in daylight or in good artificial light.
9. Mow across the face of slopes; never up and down. Use extreme caution when changing direction on slopes. Do not mow excessively steep slopes. Wear skid resistant shoes on slopes.
10. Don't Overreach – Keep proper footing and balance at all times.
11. Do not force the mower. It operates best and safest at the rate for which it was designed.
12. Always wear safety glasses or eye shields during operation to protect eyes from foreign objects that may be thrown from the machine. (Regular eyeglasses are **not** safety glasses.)
13. Always wear an approved dust mask when using unit in dusty conditions.
14. Keep face, hands, and feet away from the mower housing and cutter blade when the motor is running. Blade can cause injury to hands and feet. Stay behind the handle until the motor stops.
15. Use extreme caution when reversing or pulling the mower toward you.
16. Since the blade rotates for a few seconds after the control bar is released, stay behind the handle until all moving parts stop.
17. After striking a foreign object or if mower vibrates abnormally, stop motor and disconnect extension cord. Check mower for damage and make all repairs before using mower again. If major repairs are ever needed or if assistance is desired, contact your local Authorized TORO Service Dealer.
18. Do not operate mower if it has been dropped or damaged in any way. Repair any damage before operating mower.
19. Do not run the mower over the extension cord.
20. Inspect extension cord periodically and replace cord if damaged.
21. Don't abuse extension cord. Never pull mower by cord or yank cord to disconnect it from receptacle. Keep cord away from heat, oil and sharp edges.

-
22. Stop the motor, wait for all moving parts to stop, and disconnect extension cord from mower before adjusting the height-of-cut.
 23. Stop the motor when pushing the mower outside the lawn area.
 24. Stop the motor and disconnect extension cord from mower before removing side discharge chute or optional grass catcher.
 25. Stop motor before leaving the operator's position—behind the handle. Disconnect extension cord from mower if mower will be unattended.
 26. If mower must be lifted to be transported, stop motor, stay behind the handle until all moving parts stop and disconnect extension cord from mower.
3. To ensure the mower is in safe operating condition, frequently check and keep all nuts, bolts, and screws tight. Ensure blade bolt is tightened to 45-50 ft-lb (61-68 N·m).
 4. Always keep a sharp blade on your mower. When servicing blade, refer to blade maintenance section for correct installation and servicing procedures. Use identical replacement blades only.
 5. To reduce fire hazard, keep motor free of excessive grass, leaves, and accumulations of dirt.
 6. This unit is provided with double insulation. Use only identical replacement parts. See page 11 for Servicing of Double-insulated Mower.
 7. When not in use, store mower indoors in a dry, locked-up place out of the reach of children. Allow motor to cool before storing in an enclosure.
 8. At the time of manufacture, the mower conformed to the safety standards in effect for rotary mowers. To assure best performance and continued safety certification of the mower, use genuine TORO replacement parts and accessories. Replacement parts and accessories made by other manufacturers may result in non-conformance with the safety standards, and that could be dangerous.

Maintenance And Storage

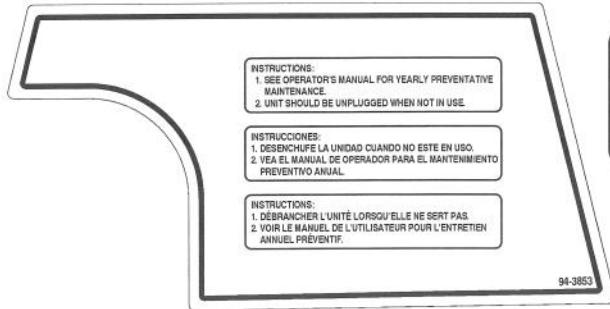
1. Perform only those maintenance instructions described in this manual. If major repairs are ever needed or if assistance is desired, contact your local Authorized TORO Service Dealer.
2. Before mower is cleaned, inspected, serviced, or adjusted, stop motor and wait for all moving parts to stop. Disconnect extension cord from mower.

**SAVE THESE INSTRUCTIONS
FOR FUTURE REFERENCE!**

Safety and Instruction Decals



Safety decals and instructions are easily visible to the operator and are located near any area of potential danger. Replace any decal that is damaged or lost.



ON CONTROL PANEL



ON MULCH PLUG



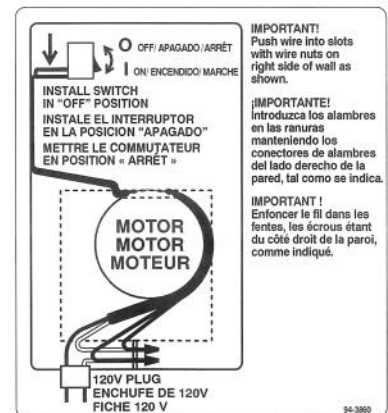
ON MULCH PLUG



ON MULCH PLUG



ON REAR OF MOWER



UNDER COVER
(Part No. 94-3860)

Assembly

IMPORTANT: Do not connect extension cord to mower until mower is fully assembled. Also, always unplug extension cord from mower when adding or switching attachments.

Install Handle

IMPORTANT: Control cable must be over, not under, handles (Fig. 2).

WARNING

POTENTIAL HAZARD

- Excessive pulling on control cable may cause mower to start. When mower is operating, blade is rotating.

WHAT CAN HAPPEN

- Contact with rotating mower blade could cause serious personal injury.

HOW TO AVOID THE HAZARD

- Do not lift mower by control cable or pull excessively on cable.

1. Lift control cable above holes in rear of shroud.
2. Lower Handle – Slide ends of lower handle into holes in shroud.

If handle stops before screw holes are aligned in center of shroud openings, push down on lower handle section while pushing tubes into holes in shroud (Fig. 3). Push tubes in until screw holes are centered in shroud openings.

Secure ends of lower handle with two screws.

3. Upper Handle (Fig. 4) – Handle height is adjustable to three different heights for operator comfort. Stand behind mower to gauge height. Position ends of upper handle on outside of lower handle. Select one set of upper handle holes and align with lower handle holes. Secure handles in place with bolts and knobs.

4. If handles are in highest height position, use clip to attach cable to left side of lower handle tube (Fig. 5).

If handles are in lowest height position, use clip to attach cable to right side of lower handle tube (Fig. 6).

Install Side Discharge Chute

If you would like to side discharge grass clippings while mowing, attach the side discharge chute.

1. Use handle on mulch door to raise door (Fig. 7).
2. Hook side discharge chute onto pegs (Fig. 8 & 9).
3. Lower mulch door on top of side discharge chute (Fig. 10).

Before Starting

Secure Extension Cord

Use only a UL listed (CSA certified in Canada) extension cord recommended for outdoor use. Refer to Extension Cord Chart.

EXTENSION CORD CHART		
If length of extension cord is less than or equal to:	100 ft.	150 ft.
Assure wire size gauge (A.W.G.) in cord is:	14	12

Note: Use of an extension cord over 150 feet is not recommended.

WARNING

POTENTIAL HAZARD

- Contact with water while operating unit could cause electric shock.

WHAT CAN HAPPEN

- Electric shock can cause injury or death.

HOW TO AVOID THE HAZARD

- Don't handle plug or mower with wet hands or while standing in water.
- Use only a UL listed (CSA certified in Canada) extension cord recommended for outdoor cold weather use. Refer to Extension Cord Chart, page 6.

To reduce the risk of electric shock, this mower has a polarized plug receptacle (one blade is wider than the other) (Fig. 11). An extension cord plug will fit in a polarized outlet only one way. If the plug does not fit fully in the receptacle, reverse the plug. If it still does not fit, consult a qualified electrician to install the proper plug. Do not change the plug receptacle in any way.

1. Form a loop in extension cord and secure it in cord lock (Fig. 12).
2. Connect extension cord to mower (Fig. 12).

Note: Do not unplug extension cord by pulling on cord. To unplug, grasp the plug, not the cord.

WARNING

POTENTIAL HAZARD

- The electrical cord could be damaged.

WHAT CAN HAPPEN

- A damaged electrical cord could cause a shock or fire.

HOW TO AVOID THE HAZARD

- Thoroughly inspect electrical cord before using unit. If cord is damaged, do not operate unit. Replace or repair damaged cord immediately. Contact your TORO service dealer for assistance.

Plan Your Mowing Pattern

By following the suggested mowing pattern, the risk of running over the cord with the mower will be reduced, and the cord will not sustain unnecessary wear. Do not allow extension cord to wrap around trees, shrubs or other obstacles.

1. Begin mowing near the electrical outlet and work outward (Fig. 13). Mow back and forth.
2. When turning at the end of a cut path, be very careful not to mow across the extension cord.

WARNING: If extension cord is damaged, do not operate unit. Replace or repair damaged cord immediately. Contact your TORO service dealer for assistance.

Operation

This mower is intended for residential use only.

WARNING

POTENTIAL HAZARD

- When extension cord is connected to mower and plugged into a normal household outlet, the mower is operational. Someone could accidentally start the mower.

WHAT CAN HAPPEN

- Accidental starting of mower could seriously injure you or other bystanders.

HOW TO AVOID THE HAZARD

- Always remove extension cord from mower receptacle when leaving mower unattended, even for a short period of time.

Starting/Stopping Instructions

To Start Motor

1. Connect extension cord to mower (Fig. 12).
2. Plug other end of extension cord into a normal household outlet.
3. Pull control bar toward handle while pushing down slide on control (Fig. 14).
4. Squeeze control bar to handle (Fig. 15).

To Stop Motor

1. Release control bar.
2. Disconnect extension cord from mower if mower will be unattended for any period of time.

Mowing Tips

General Mulching Tips

Your mower is designed to mulch grass when the mulch door is completely closed (Fig. 7). Follow these instructions whether cutting grass or leaves for the best cutting results and lawn appearance:

- Maintain a **sharp blade** throughout the cutting season. Periodically file down nicks on blade.
- **Only mow dry grass or leaves.** Wet grass and leaves tend to clump on yard and may cause mower to plug or motor to stall. They may also be slippery to walk on and could cause you to slip and fall.

WARNING

POTENTIAL HAZARD

- Wet grass or leaves can cause you to slip and contact blade.

WHAT CAN HAPPEN

- Blade contact can seriously injure you.

HOW TO AVOID THE HAZARD

- Mow only in dry conditions.

- Clean clippings or leaves from underside of mower deck after each mowing.
- Grass grows at different rates at different times of the year. In the heat of summer, it is generally best to cut grass at the 2 1/2", 3" or 3 1/2" height-of-cut settings. Only about 1/3 of the grass blade should be cut off. Cutting below the 2 1/2" setting is not recommended unless grass is sparse or it is late fall when grass growth begins to slow down.
- When changing height-of-cut from the established setting (ex. 2 1/2", 3" or 3 1/2") to a lower height, the grass may appear ragged or uneven until the grass adjusts to the new established height-of-cut and regains its normal appearance.
- When cutting grass over six inches tall, you may want to first mow using the side discharge chute or try the highest height-of-cut setting and a

slower walking speed; then mow again at a lower setting for best lawn appearance. If grass is too long and leaves clumps on top of lawn, mower may plug and cause motor to stall.

- Alternate mowing direction. This helps disperse clippings over lawn for even fertilization.

If the finished cut lawn appearance is unsatisfactory, try one or more of the following:

- Sharpen the blade.
- Walk at a slower pace while mowing.
- Raise the height-of-cut setting on your mower.
- Cut grass more frequently.
- Overlap cutting swaths instead of cutting a full swath with each pass.
- Set height-of-cut on front wheels one notch lower than rear wheels. (example: set front wheels at 2 inch setting and rear wheels at 2.5 inch setting)

Cutting Leaves

- When cutting is complete, always be sure that 50% of the lawn shows through the cut leaf cover. This may require one or more passes over the leaves.
- For light leaf coverage, position all wheels at the same height-of-cut setting.
- Walk at a slower mowing speed if leaves are not being cut up finely enough to be hidden down in the grass.
- If you cut up a lot of oak leaves, you might want to add lime to your grass in the spring. Lime reduces the acidity of oak leaves.

Adjusting Height-of-Cut

The mower has five height-of-cut adjustments: 1 1/2", 2", 2 1/2", 3" and 3 1/2". The rear adjustment lever adjusts the height-of-cut for both rear wheels, and the front adjustment lever adjusts both front wheels.

DANGER

POTENTIAL HAZARD

- **Adjusting height-of-cut levers could bring hands into contact with moving blade.**

WHAT CAN HAPPEN

- **Contact with blade could cause serious personal injury.**

HOW TO AVOID THE HAZARD

- **Stop motor, disconnect extension cord from mower and wait for all moving parts to stop before changing the height-of-cut.**
- **Do not put fingers under housing to lift mower when adjusting height-of-cut levers.**

1. Stop motor and wait for all moving parts to stop. Disconnect extension cord from mower.
2. For easier adjustment, lift housing up so wheels are off ground. **Do not place hands under deck to lift housing.** Squeeze adjustment lever toward wheel and move lever to desired setting (Fig. 16). Ensure pin on adjustment lever engages notch in mower housing. Adjust all wheels to the same setting.

Note: For easier adjustment of rear wheels, grasp lower handle with one hand and lift up mower slightly so wheel is off ground. Then squeeze adjustment handle toward wheel.

Maintenance

WARNING

POTENTIAL HAZARD

- When extension cord is connected to mower and plugged into a normal household outlet, the mower is operational. Someone could accidentally start the mower.

WHAT CAN HAPPEN

- Accidental starting of mower could seriously injure you or other bystanders.

HOW TO AVOID THE HAZARD

- Always remove extension cord from mower receptacle when leaving mower unattended, even for a short period of time.

Cleaning

Before cleaning mower, stop motor, wait for all moving parts to stop, and disconnect extension cord from mower.

IMPORTANT: Do not clean mower with a garden hose. Moisture can be trapped in mower and may cause corrosion of internal parts.

After Every Use

- Clean the underside of the mower housing. Be particularly careful to keep the front cavity clear of all debris (Fig. 17). Remove dirt and grass clippings with a hardwood scraper. Avoid burrs and sharp edges.
- Brush all debris off top of mower housing.
- Inspect plug receptacle for signs of melting or heating. Old, worn out extension cord plugs that fit loosely in the plug receptacle can cause overheating from poor contact. Replace any damaged extension cords immediately.

Once A Year

- Remove top shroud (Fig. 18) and clean out any debris underneath it with compressed air, a vacuum cleaner or a brush.
- Check for any discolored or charred wires or switch contacts. If any are damaged, see your Authorized Toro Service Dealer for repairs.

Blade

Always mow with a sharp blade. A sharp blade cuts cleanly and without tearing or shredding the grass blades like a dull blade.

WARNING

POTENTIAL HAZARD

- Motor could be started by someone accidentally.

WHAT CAN HAPPEN

- Accidental starting of motor could cause serious injury to operator or bystanders.

HOW TO AVOID THE HAZARD

- Do not attempt to inspect, remove or replace blade without first disconnecting extension cord from the mower.

1. Stop motor and wait for all moving parts to stop. Disconnect extension cord from mower.
2. Tip mower on its side (Fig. 17).
3. EXAMINING BLADE – Carefully examine blade for sharpness and wear, especially where flat and curved parts meet (Fig. 19A). Since sand and abrasive material can wear away the metal that connects the flat and curved parts of the blade, check blade before using the mower. If a slot or wear is noticed (Fig. 19B & 19C), replace blade. Refer to step 5.

Note: For best performance, install new blade before cutting season begins. During the year, file down small nicks to maintain the cutting edge.

DANGER

POTENTIAL HAZARD

- A worn or damaged blade could break and a piece of blade could be thrown in operator's or bystander's direction.

WHAT CAN HAPPEN

- A thrown piece of blade could cause serious personal injury or death to operator or bystanders.

HOW TO AVOID THE HAZARD


- Inspect blade periodically for wear or damage.
- Replace a worn or damaged blade.

4. REMOVING BLADE—Grasp end of blade using a rag or thickly padded glove. Remove blade bolt, washer and blade (Fig. 20).
5. SHARPENING BLADE – Using a file, sharpen top side of blade and maintain original cutting angle (Fig. 21). The blade will remain balanced if same amount of material is removed from both cutting edges.

IMPORTANT: Check balance of blade by putting it on a blade balancer. An inexpensive balancer can be purchased at a hardware store. A balanced blade stays in a horizontal position and an unbalanced blade settles to the heavy side. If blade is not balanced, file more metal off cutting edge on heavy end of blade.

6. Reinstall sharp, balanced blade, washer and blade bolt. Sail part of blade must point toward top of mower housing to ensure correct installation. Washer is curved and must be reinstalled with curve side down as shown in Figure 20. Tighten blade bolt to 45-50 ft-lb (61-68 N·m).

Servicing Double-insulated Mower

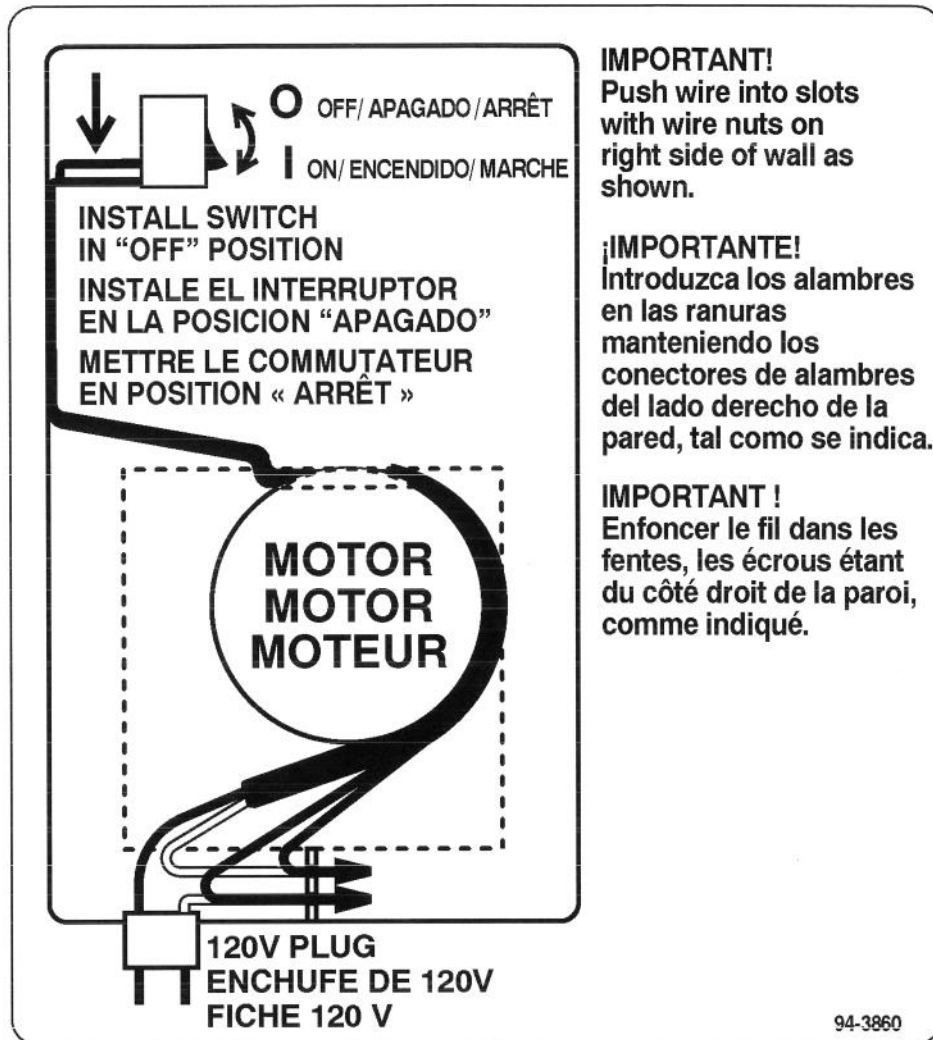
In a double-insulated mower, two systems of insulation are provided instead of grounding. No grounding means is provided on a double-insulated mower, nor should a means for grounding be added to the mower. Servicing a double-insulated mower requires extreme care and knowledge of the system, and should be done only by qualified service personnel. Replacement parts for a double-insulated mower must be identical to the parts they replace. A double-insulated mower is marked with the words "DOUBLE INSULATION" or "DOUBLE INSULATED." The symbol (square within a square)  may also be marked on the mower.

Storage

Store mower in a cool, clean, dry place. Cover mower to keep it clean and protected.

1. Clean mower housing. See Cleaning section in Maintenance chapter.
2. Remove grass clippings, dirt and grime from external parts of the shrouding and top of mower housing.
3. Check condition of blade. See Blade section in Maintenance chapter.
4. Tighten all nuts, bolts, and screws.

Wiring Diagram



TORO CAREFREE™ ELECTRIC MOWER RELOCATION PROGRAM

If you move to a home with a lawn too large to be practically mowed with your CareFree mower, you may send this certificate to Toro for a \$50 off coupon on the purchase of a new Toro gas mower. Coupon is redeemable at participating Toro dealers.

Mail a copy of this certificate to:

Toro CareFree™ Mower Programs Administration
8111 Lyndale Avenue South
Bloomington, MN 55420-1196

Name _____

Current Street Address _____

City _____ State _____ Zip _____

Phone _____ - _____ - _____

CareFree Mower Model Number _____

Serial Number _____

A certificate will be sent to your new address as shown below. Please allow 4 weeks for delivery.

New Address _____

City _____ State _____ Zip _____

New Phone (if available) _____ - _____ - _____

Size of new yard _____ under 1/4 acre
 _____ 1/4 acre to 1/2 acre
 _____ over 1/2 acre

The certificate is nontransferable and must be used by the original Toro CareFree mower purchaser towards the purchase of a new Toro gas powered mower.

Signed _____



Cordless
and
Electric
Mowers

THE TORO TOTAL COVERAGE GUARANTEE

A Full Two-Year Warranty (Limited Warranty for Commercial Use)

What Is Covered By This Express Warranty?

The Toro Company promises to repair any TORO Product used for normal residential purposes* if defective in materials or workmanship. The following time period applies from the date of purchase:

- TORO Cordless and Electric Mowers 2 year full warranty

The cost of parts and labor is included, but the customer pays the transportation costs.

* Normal residential purposes means mowing the lawn on the same lot as your home. Use at more than one location is considered commercial use and the commercial use warranty would apply.

What Products Are Covered By This Warranty?

This warranty applies to all TORO Cordless and Electric Mowers. All other TORO gas powered or electric powered products are covered by separate warranty statements.

How About Commercial Use?

Toro Consumer Products used for commercial, institutional or rental use are warranted against defects in material or workmanship. Components failing due to normal wear are not covered by this warranty. The following time period applies from the date of purchase:

- TORO Cordless and Electric Mowers Used Commercially 45 day limited warranty

How Do You Get Warranty Service?

Should your TORO Product require warranty service, contact the retailer who sold you the product or any Authorized TORO Service Dealer or TORO Master Service Dealer. The Yellow Pages of your telephone directory is a good reference source. The dealer will either arrange service at his/her dealership or recommend another Authorized Service Dealer who may be more convenient. You may need proof of purchase (copy of registration card, sales receipt, etc.) for warranty validation.

If for any reason you are dissatisfied with the Service Dealer's analysis of the defect in materials or workmanship or if you need a referral to a TORO Service Dealer, please feel free to contact us at the following address:

Toro Customer Service Department
8111 Lyndale Avenue South
Bloomington, MN 55420-1196
612-888-8801
800-348-2424

30 Day Satisfaction Guarantee

If for any reason you are not satisfied with your TORO Cordless or Electric Mower within 30 days of purchase for residential use, you may return the mower to the retail outlet where purchased. The retailer will offer the purchaser the option of either a refund of the original purchase price or credit for the full value toward the purchase of any Toro gas powered mower. All refund or credit arrangements must be made through the retailer who originally sold you the TORO Cordless or Electric Mower.

What Must You Do To Keep The Warranty In Effect?

You must maintain your TORO Product by following the maintenance procedures described in the operator's manual. Such routine maintenance, whether performed by a dealer or by you, is at your expense.

What Does This Warranty Not Cover? and

How Does Your State Law Relate To This Warranty?

There is no other express warranty. This express warranty does not cover:

- Cost of regular maintenance service or parts, such as filters, lubricants, blade sharpening, and/or cable/linkage adjustments.
- Any product or parts which has been altered or misused or required replacement or repair due to accidents or lack of proper maintenance.
- Repairs necessary due to improper battery care, electrical supply irregularities, or failure to properly prepare the mower prior to any period of non-use.
- Pickup and delivery charges.

All repairs covered by this warranty must be performed by an Authorized TORO Service Dealer using Toro approved replacement parts.

The Toro Company is not liable for indirect, incidental or consequential damages in connection with the use of the TORO Products covered by this warranty, including any cost or expense of providing substitute equipment or service during reasonable periods of malfunction or non-use pending completion of repairs under this warranty. Some states do not allow exclusions of incidental or consequential damages, so the above exclusion may not apply to you.

This warranty gives you specific legal rights, and you may also have other rights which vary from state to state.

COUNTRIES OTHER THAN THE UNITED STATES OR CANADA

Customers who have purchased TORO Products exported from the United States or Canada should contact their TORO Distributor (Dealer) to obtain guarantee policies for your country, province, or state. If for any reason you are dissatisfied with your Distributor's service or have difficulty obtaining guarantee information, contact the TORO importer. If all other remedies fail, you may contact us at The Toro Company.

Table des matières

	Page
Introduction	1
Sécurité	2
Consignes de sécurité	2
Recommandations générales	2
Utilisation	3
Entretien et entreposage	4
Décalcomanies de sécurité et instructions ..	6
Assemblage	7
Montage du mancheron	7
Montage de l'éjecteur latéral	7
Avant la mise en marche	8
Connexion du prolongateur	8
Méthode de tonte	8
Fonctionnement	9
Instructions pour la mise en marche et l'arrêt	9
Conseils de tonte	9
Réglage de la hauteur de coupe	10
Entretien	11
Nettoyage	11
Lame	11
Entretien d'une tondeuse à double isolement	13
Remisage	13
Schéma de câblage	14
Garantie	Couverture arrière

Chaque fois que vous contactez votre concessionnaire agréé ou l'usine, tenez à sa disposition les numéros de modèle et de série du produit. Ces numéros aideront le concessionnaire ou le représentant du service après-vente à vous fournir des informations précises pour votre produit particulier. Les numéros de modèle et de série de l'appareil sont indiqués sur une décalcomanie comme illustré à la figure 1.

A titre de référence, notez les numéros de modèle et de série du produit dans l'espace ci-dessous.

No. de modèle : _____

No. de série : _____

Lisez attentivement ce manuel pour vous familiariser avec l'utilisation et l'entretien correct de votre produit. La lecture de ce manuel vous aidera, ainsi que les autres utilisateurs, à éviter des accidents corporels et des dommages au produit. Bien que Toro conçoive, fabrique et commercialise des produits sûrs, à la pointe de la technologie, vous avez la responsabilité de l'utiliser correctement et en toute sécurité. Vous êtes également responsable d'instruire les personnes auxquelles vous permettrez d'utiliser le produit, sur l'usage en toute sécurité.

Les mises en garde de ce manuel identifient les dangers potentiels et comprennent des messages de sécurité spécifiques destinés à vous éviter ainsi qu'à d'autres des blessures ou même la mort. Les mises en garde sont intitulées DANGER, ATTENTION et PRUDENCE, suivant le niveau de danger. Toutefois, quel que soit ce niveau, soyez extrêmement prudent.

DANGER signale un risque extrême de blessures ou de mort si les précautions recommandées ne sont pas respectées.

ATTENTION signale un risque de blessures ou de mort si les précautions recommandées ne sont pas respectées.

PRUDENCE signale un risque de blessures légères ou modérées si les précautions recommandées ne sont pas respectées.

Introduction

Merci pour votre achat d'un produit Toro.


Chez Toro, notre désir à tous est que vous soyez entièrement satisfait de votre nouveau produit. N'hésitez donc pas à contacter votre concessionnaire agréé local qui tient à votre disposition un service d'entretien et de réparations, des pièces détachées et toute information qui pourrait vous être utile.

Deux autres termes sont également utilisés pour signaler des messages d'informations essentielles : "Important", pour attirer l'attention sur des informations mécaniques spécifiques, et "Remarque", pour des informations d'ordre général méritant une attention particulière.

Les côtés droit et gauche de la tondeuse sont identifiés comme tels en se tenant en position normale de tonte, derrière le guidon.

Sécurité

INSTRUCTIONS DE SÉCURITÉ IMPORTANTES

Cette machine satisfait ou excède les normes CPSC relatives à la sécurité de la lame pour les tondeuses rotatives guidées par l'arrière, ainsi que les spécifications B71.1 de l'American National Standard Institute en vigueur au moment de la production. Toutefois, un usage ou un entretien incorrect de la part de l'utilisateur ou du propriétaire peut résulter en un accident. Pour réduire les risques d'accident, respecter les présentes règles de sécurité et les mises en garde pour la sécurité personnelle intitulées ATTENTION, PRUDENCE OU DANGER—, accompagnées du symbole de sécurité . Tout manquement à se conformer à ces directives peut résulter en un accident.

ATTENTION: Pour réduire les risques d'incendie, d'électrocution ou de blessures lors de l'utilisation de tondeuses électriques, toujours respecter les consignes de sécurité.

LIRE TOUTES LES INSTRUCTIONS AVANT D'UTILISER LA TONDEUSE CONSERVER CES INSTRUCTIONS POUR RÉFÉRENCE ULTÉRIEURE!

Consignes de sécurité

Ce produit est capable d'amputer les mains et les pieds et de projeter des objets. Toujours respecter toutes les mesures de sécurité pour éviter des blessures graves ou la mort.

Cette tondeuse est conçue pour la tonte et le paillage de l'herbe ou, lorsqu'équipée d'un sac à herbe, pour ramasser l'herbe coupée. L'usage à toute autre fin que celles décrites ci-avant peut être dangereux pour l'utilisateur et les personnes se tenant à proximité.

Recommandations générales

1. Lire attentivement ce manuel avant d'utiliser la tondeuse. Se familiariser avec les commandes et l'usage correct. Ne jamais laisser les enfants de moins de 16 ans utiliser la tondeuse. Ne jamais laisser des adultes utiliser la tondeuse sans instructions adéquates.
2. L'opérateur de la tondeuse a la responsabilité de veiller à tenir tout le monde, en particulier les enfants et les animaux domestiques, à l'écart de la zone de tonte. Il sera tenu responsable des accidents ou dangers infligés à d'autres personnes ou à leurs biens.
3. Inspecter soigneusement la zone à tondre et la débarrasser des branches, pierres, fils de fer et autres débris susceptibles d'être projetés par la tondeuse. Pendant la tonte, ouvrir l'oeil pour voir à temps les objets étrangers encore cachés dans l'herbe.
4. Porter des pantalons et des chaussures solides. Ne pas tondre pieds nus ou en sandales. Ne pas porter de bijoux ou de vêtements flottants. L'usage de bottes et de gants en caoutchouc est recommandé pour le travail à l'extérieur.

5. Veiller à ce que les pièces de garde ou de protection, les systèmes de sécurité, l'éjecteur latéral ou le sac à herbe en option soient toujours en place. Réparer ou remplacer les pièces endommagées, y compris les autocollants. Contrôler tous les dispositifs de sécurité avant l'emploi.
6. Le moteur et la lame doivent s'arrêter lorsqu'on lâche la barre de commande. Vérifier si c'est bien le cas avant chaque utilisation de la tondeuse.
7. Avant d'utiliser la tondeuse, toujours vérifier si les lames, boulons de lame et ensembles de coupe ne sont pas usés ou endommagés. Remplacer les boulons et les lames usées ou endommagées par paires pour ne pas modifier l'équilibre.
8. N'utiliser que des accessoires spécifiquement conçus pour la tondeuse. L'usage d'accessoires non destinés à la tondeuse peut augmenter les risques d'accidents.
9. Prévoir un coupe-circuit de mise à la terre accidentelle (protection GFCI) dans les circuits ou les prises utilisés pour la tondeuse. Employer par exemple des prises à protection GFCI intégrée, disponibles dans le commerce.
10. **ATTENTION:** Pour éviter les risques d'électrocution, utiliser exclusivement un prolongateur convenant pour l'utilisation à l'extérieur, tel que SW-A, SOW-A, STW-A, STOW-A, SJW-A, SJOW-A, SJTW-A, ou SJTOW-A.
11. Prolongateur – S'assurer que le prolongateur utilisé est en bon état. Utiliser un prolongateur d'un calibre suffisant pour le courant absorbé par l'appareil. Voir le tableau de la page 6.
12. Bien connecter le prolongateur à la tondeuse pour éviter le débranchement en cours d'utilisation (Fig. 12).

Utilisation

1. Ne pas connecter le prolongateur à la tondeuse tant qu'on n'est pas prêt à tondre.
2. Démarrer le moteur prudemment, conformément aux instructions, en gardant les pieds loin de la lame.
3. Utiliser l'appareil approprié – Ne pas utiliser la tondeuse à des tâches pour lesquelles elle n'est pas destinée.
4. Rester vigilant – Faire attention à ce qu'on fait. Ne pas utiliser la tondeuse lorsqu'on est fatigué ou sous l'influence de drogues, d'alcool ou de médicaments.
5. Eviter les conditions d'utilisation dangereuses. Ne jamais utiliser la tondeuse dans de l'herbe mouillée ou des endroits humides. Ne pas tondre sous la pluie.
6. Ne pas faire tourner le moteur à l'intérieur.
7. Ne pas faire marcher la tondeuse en présence de gaz ou vapeurs explosifs. La production normale d'étincelles par le moteur pourrait enflammer les vapeurs.
8. Toujours se tenir bien en équilibre. Tenir fermement le mancheron et marcher, ne jamais courir. Ne tondre que pendant la journée ou sous un éclairage artificiel suffisant.
9. Tondre perpendiculairement à la pente, jamais vers le haut ou le bas. Procéder avec une extrême prudence lors d'un changement de direction sur une pente. Ne pas utiliser la tondeuse sur des pentes trop fortes. Sur les pentes, porter des chaussures antidérapantes.
10. Ne pas tenter d'atteindre des endroits trop éloignés – Toujours se tenir bien en équilibre.
11. Ne pas forcer la tondeuse. Utiliser la tondeuse à la vitesse prévue pour obtenir les meilleurs résultats et la plus grande sécurité.

12. Porter des lunettes de sécurité ou une protection oculaire adéquate lors de toute utilisation de la tondeuse, pour se protéger en cas de projection de débris par la tondeuse. (Les lunettes ordinaires **ne sont pas** des lunettes de sécurité.)
13. En conditions poussiéreuses, toujours porter un masque anti-poussière agréé.
14. Ne pas approcher le visage, les mains ou les pieds du carter de tondeuse et de la lame tant que le moteur tourne. La lame peut causer des blessures aux mains et aux pieds. Rester derrière le mancheron jusqu'à ce que le moteur s'arrête.
15. Etre très prudent lorsqu'on travaille en marche arrière ou qu'on tire la tondeuse vers soi.
16. Etant donné que la lame tourne encore pendant quelques secondes lorsqu'on lâche la barre de commande, rester derrière le mancheron jusqu'à ce que toutes les pièces mobiles soient arrêtées.
17. Après avoir heurté un corps étranger ou si la tondeuse vibre de façon anormale, arrêter le moteur et débrancher le prolongateur. Vérifier si la tondeuse n'est pas endommagée et effectuer toutes les réparations nécessaires avant de l'utiliser à nouveau. Pour toute réparation importante ou si l'on a besoin d'aide, s'adresser à un réparateur TORO agréé.
18. Ne pas utiliser la tondeuse si on l'a laissée tomber ou endommagée d'une manière ou d'une autre. Apporter les réparations nécessaires avant de l'utiliser à nouveau.
19. Ne pas faire passer la tondeuse sur le prolongateur.
20. Inspecter régulièrement le prolongateur et le remplacer s'il est endommagé.
21. Ne pas maltraiter le prolongateur. Ne pas tirer la tondeuse par le prolongateur. Ne pas tirer le cordon du prolongateur pour le débrancher. Tenir le prolongateur à l'écart de la chaleur, de l'huile et des arêtes coupantes.
22. Couper le moteur, attendre l'arrêt de toutes les pièces mobiles et débrancher le prolongateur de la tondeuse avant de régler la hauteur de coupe.
23. Couper le moteur avant de pousser la tondeuse en dehors de la pelouse.
24. Couper le moteur et débrancher le prolongateur de la tondeuse avant d'enlever l'éjecteur latéral ou le sac à herbe en option.
25. Couper le moteur avant de quitter la position de conduite, derrière le mancheron. Débrancher le prolongateur avant de laisser la tondeuse sans surveillance.
26. S'il faut soulever la tondeuse pour le transport, couper le moteur, rester derrière le mancheron jusqu'à l'arrêt de toutes les pièces mobiles et débrancher le prolongateur de la tondeuse.

Entretien et entreposage

1. N'effectuer que les opérations d'entretien décrites dans ce manuel. Pour les réparations importantes ou si l'on a besoin d'aide, s'adresser à un réparateur TORO agréé.
2. Avant de nettoyer, inspecter ou régler la tondeuse ou d'effectuer un entretien, couper le moteur et attendre l'arrêt de toutes les pièces mobiles. Débrancher le prolongateur de la tondeuse.
3. Pour s'assurer que la tondeuse peut être utilisée en toute sécurité, vérifier fréquemment le serrage de tous les boulons, écrous et vis. Vérifier que le boulon de lame est serré à 61-68 N·m (45-50 pieds–livres).
4. La lame de la tondeuse doit toujours être bien aiguisée. Suivre les procédures de montage et d'entretien du chapitre d'entretien de la lame. Ne remplacer la lame que par une lame de rechange identique.
5. Pour réduire les risques d'incendie, débarrasser le moteur de toute accumulation excessive d'herbe, de feuilles et de poussière.

6. Cet appareil est à double isolement. Utiliser exclusivement des pièces de rechange identiques. Voir Entretien des appareils à double isolement, page 11.
7. Lorsqu'on n'utilise pas la tondeuse, la conserver dans un endroit sec fermant à clé, hors de portée des enfants. Laisser le moteur refroidir avant de ranger la tondeuse dans un espace clos.
8. A sa sortie d'usine, la tondeuse répond aux normes de sécurité applicables aux tondeuses à lame rotative. Pour bénéficier des meilleures

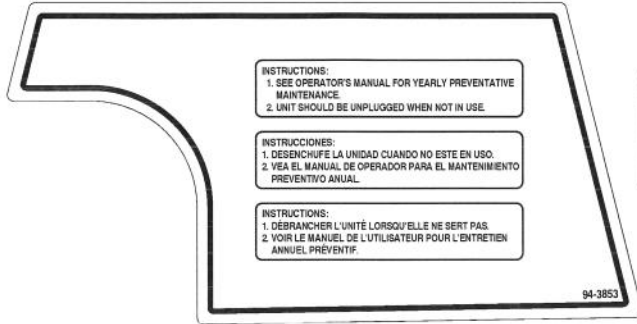
performances et de l'assurance de sécurité de la tondeuse, n'utiliser que des pièces de rechange et accessoires TORO d'origine. Les pièces de rechange et accessoires proposés par d'autres fabricants risquent de ne pas satisfaire les normes de sécurité, ce qui peut être dangereux.

**CONSERVER CES
INSTRUCTIONS POUR
RÉFÉRENCE ULTÉRIEURE!**

Décalcomanies de sécurité et instructions



Des décalcomanies et instructions de sécurité bien visibles sont placées près de tous les endroits potentiellement dangereux. Remplacer toute décalcomanie endommagée ou manquante.



SUR LE PANNEAU DE COMMANDE



SUR L'OBTURATEUR DE PAILLAGE

⚠ WARNING
TO REDUCE THE RISK OF INJURY, INSPECT CATCHER ASSEMBLY FREQUENTLY AND REPLACE WITH RECOMMENDED REPLACEMENT IF THERE ARE SIGNS OF WEAR OR DETERIORATION.

⚠ ADVERTENCIA
PARA REDUCIR EL RIESGO DE LESIONES, INSPECCIONE FRECUENTEMENTE EL ENSAMBLAJE DEL RECEPTOR Y CAMBIELO POR LA PIEZA DE REPUESTO RECOMENDADA SI HAY SEÑALES DE DESGASTE O DETERIORO.

⚠ AVERTISSEMENT
POUR RÉDUIRE LES RISQUES DE BLESSURE, INSPECTER SOUVENT L'ENSEMBLE SAC COLLECTEUR D'HERBE ET REMPLACER AVEC DES PIÈCES RECOMMANDÉES CELLES QUI SEMBLENT USÉES OU DÉTÉRIORÉES.

SUR L'OBTURATEUR DE PAILLAGE

⚠ DANGER	⚠ PELIGRO	⚠ DANGER
AVOID SERIOUS INJURY: OPERATE ONLY WITH DEFLECTOR, MULCH PLUG OR ENTIRE CATCHER IN PLACE.	EVITE LESIONES SERIAS: OPERE SOLO CON DEFLECTOR, TAPON DE ABONO O RECEPTOR COMPLETO EN SU LUGAR.	ÉVITER DE SÉRIEUSES BLESSURES: NE FAIRE FONCTIONNER QU'AVEC LE DÉFLECTEUR, L'OBTURATEUR DE PAILLIS OU L'ENSEMBLE COLLECTEUR EN PLACE.

SUR L'OBTURATEUR DE PAILLAGE

⚠ WARNING
AVOID SERIOUS INJURY or DEATH:
• GO ACROSS SLOPES, NOT UP & DOWN. • DO NOT MOW WHEN CHILDREN OR OTHERS ARE PRESENT
• LOOK DOWN AND BEHIND BEFORE & WHILE MOVING BACKWARDS. KEEP SAFETY DEVICES (GUARDS, SHIELDS, ETC.) IN PLACE & WORKING. • REMOVE OBJECTS THAT COULD BE THROWN BY THE BLADE. • TO REDUCE RISK OF ELECTRIC SHOCK, DO NOT EXPOSE UNIT TO WATER OR OPERATE ON WET GROUND. • REPLACE DAMAGED CORD IMMEDIATELY. • UNPLUG UNIT BEFORE SERVICE OR INSPECTION. • DOUBLE INSULATED - WHEN SERVICING USE ONLY IDENTICAL REPLACEMENT PARTS. • READ THE OPERATOR'S MANUAL FOR REPLACEMENT MANUAL. SEND MODEL & SERIAL NUMBER TO: THE TORO CO., 8111 LYNDALE AVE. S., BLOOMINGTON, MN 55420-1196 63-3305

⚠ ADVERTENCIA
EVITE LESIONES SERIAS o LA MUERTE: • VAYA A TRAVÉS DE LAS PENDIENTES. NO HACIA ARRIBA Y HACIA ABAJO. • NO CORTE CUANDO HAYAN NIÑOS U OTRAS PERSONAS PRESENTES. • MIRE HACIA ABAJO Y DETRAS ANTES Y MIENTRAS ESTE CORTANDO HACIA ATRAS. • MANTENGA LOS DISPOSITIVOS DE SEGURIDAD (PROTECCIONES, RESGUARDOS, ETC.) EN SU LUGAR Y FUNCIONANDO. • RETIRE LOS OBJETOS QUE PUEDAN SER ARROJADOS POR LA HOJA. • PARA REDUCIR EL RIESGO DE DESCARGA ELECTRICA, NO EXPONGA LA UNIDAD AL AGUA NI LA OPERE EN TERRENO HUMEDO. • CAMBIE EL CABLE DANADO INMEDIATAMENTE. • DESENCHUFE LA UNIDAD ANTES DE DARLE SERVICIO O INSPECCIONARLA. • AISLAMIENTO DOBLE - CUANDO ESTE DANDO SERVICIO USE SOLO PIEZAS DE REPUESTO IDENTICAS. • LEA EL MANUAL DEL OPERADOR. PARA PEDIR UN MANUAL DE REPUESTO, ENVIE EL MODELO Y NUMERO DE SERIE A: THE TORO CO., 8111 LYNDALE AVE. S., BLOOMINGTON, MINNESOTA 55420-1196 EE.UU.

⚠ AVERTISSEMENT
ÉVITER LES BLESSURES GRAVES ou LA MORT • PARCOURIR LES PENTES EN DIAGONALE ET NON DE HAUT EN BAS. • NE PAS TONDER LE GAZON EN PRÉSENCE D'UN ENFANT ou D'UNE AUTRE PERSONNE. • REGARDER LE SOL DERRIÈRE VOUS AVANT DE FAIRE MARCHÉ ARRIÈRE ET PENDANT QUE VOUS LE FAITES. • MAINTENIR LES DISPOSITIFS DE SÉCURITÉ EN PLACE ET EN BON ÉTAT (PROTECTIONS, DÉFLECTEURS, ETC.). • ENLEVER LES OBJETS QUI POURRAIENT ÊTRE PROJETÉS PAR LA LAME. • RÉDUIRE LES RISQUES DE CHOC ÉLECTRIQUE EN N'EXPOSANT PAS L'UNITÉ À L'EAU ou EN NE TRAVAILLANT PAS SUR UN SOL MOUILLÉ. • REMPLACER UN FIL ÉLECTRIQUE DES QUIL EST ENDOMMAGÉ. • DEBRANCHER L'UNITÉ AVANT L'ENTRETIEN ou L'INSPECTION. • REMPLACER LES PIÈCES DÉFECTUEUSES PAR DES PIÈCES IDENTIQUES—DOUBLE ISOLEMENT. • LIRE LE MANUEL DE L'UTILISATEUR. POUR OBTENIR UN NOUVEAU MANUEL, ENVOYER LES NUMÉROS DE MODÈLE ET DE SÉRIE À: THE TORO CO., 8111 LYNDALE AVE. S., BLOOMINGTON, MN 55420-1196.

MEETS CPSC BLADE SAFETY REQUIREMENTS. PATENT PENDING/PATENTE PENDIENTE. BREVET EN COURS D'INNOVATION 120V, A.C./V.C.A. 60 Hz. LISTED 987U ELECTRIC LAWN MOWER

MODEL CERTIFIED BY INDEPENDENT LABORATORY
ANSI B71.1-1990 SAFETY STANDARD
Model Number/Numero de Modelo: Serial Number/Numero de Serie: Qtr. Prod.

SUR L'ARRIERE DE LA TONDEUSE

⚠ IMPORTANT! Push wire into slots with wire nuts on right side of wall as shown.

⚠ IMPORTANTE! Introduzca los alambres en las ranuras manteniendo los conectores de alambres del lado derecho de la pared, tal como se indica.

⚠ IMPORTANT! Enfoncer le fil dans les fentes, les écrous étant du côté droit de la paroi, comme indique.

OFF / APAGADO / ARRÊT
ON / ENCENDIDO / MARCHÉ

INSTALL SWITCH IN "OFF" POSITION
INSTALE EL INTERRUPTOR EN LA POSICIÓN "APAGADO"
METTRE LE COMMUTEUR EN POSITION "ARRÊT"

MOTOR MOTOR MOTEUR

120V PLUG
ENCHUFE DE 120V
FICHE 120 V

94-3860

SOUS LE CAPOT (Réf. 94-3860)

Assemblage

Important: Ne pas connecter le prolongateur à la tondeuse tant que celle-ci n'est pas entièrement assemblée. De même, toujours débrancher le prolongateur de la tondeuse avant de monter ou de changer un accessoire.

Montage du mancheron

Important: Le câble de commande doit passer au-dessus du mancheron, pas en dessous (Fig. 2).

ATTENTION

DANGER POTENTIEL

- Une traction excessive sur le câble de commande peut entraîner le démarrage de la tondeuse. Lorsque la tondeuse est en marche, la lame tourne.

QUELS SONT LES RISQUES

- Le contact avec la lame en rotation peut entraîner des blessures graves.

COMMENT SE PROTEGER?

- Ne pas soulever la tondeuse par le câble de commande ou exercer une traction excessive sur le câble.

1. Soulever le câble de commande au-dessus des trous d'insertion du mancheron, à l'arrière du capot.
2. Mancheron inférieur – Insérer les extrémités du mancheron inférieur dans les trous du capot.

Si le mancheron inférieur ne s'insère pas assez loin pour que les trous des vis apparaissent au centre des ouvertures du capot, l'enfoncer en

exerçant simultanément une pression vers le bas, comme illustré (Fig. 3). Enfoncer le mancheron jusqu'à ce que les trous d'insertion des vis apparaissent au centre des ouvertures du capot.

Fixer les extrémités du mancheron inférieur au moyen de deux vis.

3. Mancheron supérieur – La hauteur du mancheron peut être réglée dans trois positions selon les préférences de l'utilisateur. Se tenir derrière la tondeuse pour évaluer la hauteur idéale. Placer les extrémités du mancheron supérieur de part et d'autre du mancheron inférieur. Choisir une paire de trous du mancheron supérieur, aligner ces trous sur ceux du mancheron inférieur et assembler les deux éléments du mancheron au moyen des boutons et boulons.
4. Si le mancheron est monté dans la position la plus haute, attacher le câble à l'aide de la pince à la branche de gauche du mancheron inférieur (Fig. 5).

Si le mancheron est monté dans la position la plus basse, attacher le câble à l'aide de la pince à la branche de droite du mancheron inférieur (Fig. 6).

Montage de l'éjecteur latéral

Si l'on souhaite rejeter l'herbe coupée sur le côté lors de la tonte, monter l'éjecteur latéral.

1. Ouvrir la porte de paillage en la soulevant par la poignée (Fig. 7).
2. Accrocher l'éjecteur latéral sur les chevilles (Fig. 8 & 9).
3. Rabattre la porte de paillage sur l'éjecteur latéral (Fig. 10).

Avant la mise en marche

Connexion du prolongateur

Utiliser exclusivement un cordon prolongateur homologué UL (certifié ACNOR au Canada) et recommandé pour l'usage extérieur. Se référer au tableau des cordons prolongateurs.

TABLEAU DES CORDONS PROLONGATEURS		
Si la longueur du prolongateur est inférieure ou égale à:	30,5 m (100 pi.)	46 m (150 pi.)
S'assurer que le calibre (A.W.G.) du cordon est de:	14	12

Remarque: L'usage d'un cordon prolongateur de plus de 46 m (150 pi.) est déconseillé.

ATTENTION

DANGER POTENTIEL

- Le contact de l'eau lorsqu'on utilise l'appareil peut provoquer l'électrocution.

QUELS SONT LES RISQUES?

- L'électrocution peut avoir des conséquences dangereuses ou mortelles.

COMMENT SE PROTÉGER?

- Ne pas toucher les prises ou la tondeuse avec des mains mouillées ou en se tenant dans l'eau.
- Utiliser exclusivement un cordon prolongateur homologué UL (certifié ACNOR au Canada) et recommandé pour l'usage extérieur par temps froid. Se référer au tableau des cordons prolongateurs, page 6.

Pour réduire les risques d'électrocution, la prise de la tondeuse est à fiche polarisée (une broche plus large que l'autre) (Fig. 11). La fiche du prolongateur ne peut s'enficher dans la prise que dans un sens. Si la

fiche ne rentre pas dans la prise, la tourner dans l'autre sens. Si elle ne rentre toujours pas, s'adresser à un électricien qualifié pour qu'il monte la fiche qui convient. Ne jamais modifier la prise de la tondeuse de quelque manière que ce soit.

1. Former une boucle dans le prolongateur et la passer dans le système d'accrochage (Fig. 12).
2. Connecter le prolongateur à la tondeuse (Fig. 12).

Remarque: Pour débrancher le prolongateur, ne pas tirer sur le cordon mais sur la fiche.

ATTENTION

DANGER POTENTIEL

- Le cordon électrique peut être endommagé.

QUELS SONT LES RISQUES?

- Un cordon électrique endommagé peut provoquer des décharges électriques ou un incendie.

COMMENT SE PROTÉGER?

- Inspecter la totalité du cordon électrique avant d'utiliser l'appareil. Si le cordon est endommagé, ne pas utiliser l'appareil. Remplacer ou réparer le cordon immédiatement. S'adresser à un réparateur agréé TORO si nécessaire.

Méthode de tonte

La méthode de tonte suggérée réduit le risque de passer sur le fil et évite l'usure excessive du prolongateur. Ne pas laisser le prolongateur s'enrouler autour d'arbres, de buissons ou d'autres obstacles.

1. Commencer la tonte du côté de la prise de courant et travailler en lacets, en s'en éloignant progressivement (Fig. 13).
2. Dans les tournants en bout de course, veiller particulièrement à ne pas faire passer la tondeuse sur le prolongateur.

ATTENTION: Si le prolongateur est endommagé, ne pas utiliser l'appareil. Remplacer ou réparer le cordon immédiatement. S'adresser à un réparateur TORO agréé si nécessaire.

Fonctionnement

Cette tondeuse est destinée exclusivement à un usage privé.

ATTENTION

DANGER POTENTIEL

- **Quand le prolongateur est connecté à la tondeuse et branché dans une prise d'alimentation domestique, la tondeuse peut fonctionner. Quelqu'un risque de la faire démarrer accidentellement.**

QUELS SONT LES RISQUES?

- **Le démarrage accidentel de la tondeuse peut causer des blessures graves à vous ou aux personnes se tenant à proximité.**

COMMENT SE PROTÉGER?

- **Débrancher le prolongateur lors de tout abandon de la tondeuse, même de courte durée.**

Instructions pour la mise en marche et l'arrêt

Démarrage du moteur

1. Connecter le prolongateur à la tondeuse (Fig. 12).
2. Brancher l'autre extrémité du prolongateur dans une prise d'alimentation domestique normale.
3. Tirer la barre de commande vers le manche en faisant glisser le mécanisme coulissant vers le bas (Fig. 14).

4. Serrer la barre de commande contre la poignée (Fig. 15).

Arrêt du moteur

1. Lâcher la barre de commande.
2. Débrancher le prolongateur de la tondeuse avant tout abandon de la tondeuse sans surveillance, même de courte durée.

Conseils de tonte

Recommandations pour le paillage

La tondeuse est conçue pour assurer le paillage lorsque la porte de paillage est entièrement fermée (Fig. 7). Pour obtenir le meilleur résultat possible et la plus belle apparence du gazon lors du paillage d'herbe ou de feuilles, suivre nos recommandations:

- Maintenir la lame **bien affûtée** tout au long de la saison de tonte. Limer régulièrement les ébréchures qui apparaissent.
- **N'utiliser la tondeuse que sur de l'herbe ou des feuilles sèches.** L'herbe et les feuilles humides ont tendance à s'agglutiner et peuvent obstruer la tondeuse ou faire caler le moteur. D'autre part, elles sont glissantes et créent un risque de chute pour l'opérateur.

ATTENTION

DANGER POTENTIEL

- **L'herbe et les feuilles mouillées augmentent les risques de glissade et de contact avec la lame.**

QUELS SONT LES RISQUES?

- **Le contact avec la lame peut causer des blessures graves.**

COMMENT SE PROTÉGER?

- **Ne tondre que si l'herbe est sèche.**

- Après chaque séance de tonte, débarrasser le dessous de la tondeuse des débris d'herbe et feuilles.

- L'herbe pousse à une vitesse différente selon les saisons. Pendant les grosses chaleurs, il est en général préférable de régler la hauteur de coupe sur 2 1/2", 3" ou 3 1/2". La hauteur de l'herbe ne doit pas être réduite de plus d'un tiers. Il n'est pas conseillé d'utiliser un réglage inférieur à 2 1/2", à moins que l'herbe ne soit clairsemée, ou en automne lorsque la pousse commence à ralentir.
- Lorsqu'on remplace la hauteur de coupe habituelle (ex. 2 1/2", 3" ou 3 1/2") par une autre hauteur, la tonte peut sembler inégale ou irrégulière jusqu'à ce que l'herbe s'adapte et retrouve son aspect normal.
- Pour la coupe d'herbe de plus de 18 cm (6 pouces), il peut être préférable de passer une première fois avec l'éjecteur latéral ou de régler la tondeuse à la hauteur de coupe maximum et d'avancer plus lentement qu'à l'ordinaire, puis de repasser avec un réglage plus bas afin d'obtenir le meilleur aspect possible. Si l'herbe est trop haute et s'agglutine sur la pelouse, elle risque d'obstruer la tondeuse et de faire caler le moteur.
- Alternier le sens des passages de la tondeuse pour mieux disperser les déchets et assurer une fertilisation plus homogène.

Si l'aspect de la pelouse tondue n'est pas satisfaisant, essayer une ou plusieurs des solutions suivantes:

- Affûter la lame.
- Tondre en avançant plus lentement.
- Élever le réglage de hauteur de coupe.
- Couper l'herbe plus fréquemment.
- Faire se chevaucher les passages pour ne tondre qu'une largeur de bande réduite.
- Utiliser une hauteur de coupe plus basse d'un cran sur les roues avant (par exemple, régler les roues avant à 2 pouces et les roues arrières à 2,5 pouces).

Coupe de feuilles

- Une fois la coupe terminée, s'assurer qu'au moins 50 % de l'herbe apparaît au travers de la couche de feuilles. Pour obtenir ce résultat, il peut être nécessaire de repasser plusieurs fois la tondeuse sur la couche de feuilles.
- Pour une couche de feuilles légère, régler toutes les roues sur la même hauteur de coupe.
- Si les feuilles ne sont pas hachées assez finement pour être cachées dans l'herbe, avancer plus lentement.
- En présence de beaucoup de feuilles de chêne, il peut être bon de chauler la pelouse au printemps. La chaux compense l'acidité des feuilles de chêne.

Réglage de la hauteur de coupe

La tondeuse offre cinq positions de hauteur de coupe: 1 1/2", 2", 2 1/2", 3" et 3 1/2". Le levier de réglage arrière règle la hauteur des deux roues arrière, et le levier avant la hauteur des deux roues avant.

DANGER

DANGER POTENTIEL

- **Les doigts risquent d'entrer en contact avec la lame en rotation lors du réglage de la hauteur de coupe.**

QUELS SONT LES RISQUES?

- **Le contact avec la lame peut occasionner des blessures graves.**

COMMENT SE PROTÉGER?

- **Couper le moteur, débrancher le cordon prolongateur de la tondeuse et attendre l'arrêt de toutes les pièces mobiles avant de régler la hauteur de coupe.**
- **Ne pas glisser les doigts sous la tondeuse pour la soulever lors du réglage des leviers de hauteur de coupe.**

1. Couper le moteur et attendre l'arrêt de toutes les pièces mobiles. Débrancher le prolongateur de la tondeuse.
2. Pour faciliter le réglage, soulever le carter de manière à ce que la roue ne touche plus le sol. **Ne jamais placer les doigts sous le carter pour soulever la tondeuse.** Serrer le levier de hauteur de coupe contre la roue et l'amener dans la position voulue (Fig. 16). Vérifier que l'ergot du levier est bien engagé dans l'encoche du carter de tondeuse. Régler toutes les roues à la même hauteur de coupe.

Remarque: Pour faciliter le réglage des roues arrière, soulever légèrement la tondeuse par le mancheron inférieur pour que les roues ne touchent plus le sol, et presser le levier de réglage vers la roue.

Entretien

ATTENTION

DANGER POTENTIEL

- **Quand le prolongateur est connecté à la tondeuse et branché dans une prise d'alimentation domestique, la tondeuse peut fonctionner. Quelqu'un risque de faire démarrer la tondeuse accidentellement.**

QUELS SONT LES RISQUES?

- **Le démarrage accidentel de la tondeuse peut causer des blessures graves à vous ou aux personnes se tenant à proximité.**

COMMENT SE PROTÉGER?

- **Débrancher le prolongateur lors de tout abandon de la tondeuse, même de courte durée.**

Nettoyage

Avant de nettoyer la tondeuse, couper le moteur, attendre l'arrêt de toutes les pièces mobiles et débrancher le prolongateur de la tondeuse.

Important: **Ne pas nettoyer la tondeuse au tuyau d'arrosage. L'humidité infiltrée dans la tondeuse risquerait d'entraîner la corrosion de pièces internes.**

Après chaque utilisation

- Nettoyer le dessous de la tondeuse. Veiller particulièrement à bien dégager la cavité avant de tous débris (Fig. 17). Enlever la terre et l'herbe à l'aide d'un grattoir en bois dur. Eviter les bavures et les arêtes coupantes.
- Brosser le dessus de la tondeuse pour retirer les débris.
- Contrôler que la prise de la tondeuse ne présente pas de signes de surchauffe ou de fonte. L'usage d'un prolongateur dont la fiche est vieille et usée et ne tient pas bien dans la prise peut entraîner des problèmes de surchauffe dus à un mauvais contact. Remplacer immédiatement tout prolongateur endommagé.

Une fois par an

- Retirer le capot (Fig. 18) et débarrasser l'intérieur des débris à l'aide d'une brosse, d'un aspirateur ou d'air comprimé.
- Vérifier qu'aucun fil ou contact de commutateur n'est décoloré ou carbonisé. Si des éléments sont endommagés, s'adresser à un réparateur Toro agréé pour la réparation.

Lame

Veiller à ce que la lame soit toujours bien affûtée. Au contraire d'une lame émoussée, une lame bien aiguisée assure une coupe nette, sans arracher l'herbe ou la déchiqueter.

ATTENTION

DANGER POTENTIEL

- Quelqu'un risque de mettre le moteur en marche accidentellement.

QUELS SONT LES RISQUES?

- Le démarrage accidentel du moteur peut causer des blessures graves à l'opérateur ou aux personnes à proximité.

COMMENT SE PROTÉGER?

- Ne jamais tenter d'inspecter, de démonter ou de remplacer la lame sans avoir au préalable débranché le prolongateur de la tondeuse.

DANGER

DANGER POTENTIEL

- Une lame usée ou endommagée risque de se rompre en projetant le morceau cassé vers l'utilisateur ou les personnes à proximité.

QUELS SONT LES RISQUES?

- Un morceau de lame projeté avec force peut infliger des blessures graves, voire mortelles, à l'utilisateur ou aux personnes à proximité.

COMMENT SE PROTÉGER?

- Vérifier régulièrement si la lame n'est pas usée ou endommagée.
- Remplacer la lame si elle est usée ou endommagée.

1. Couper le moteur et attendre l'arrêt de toutes les pièces mobiles. Débrancher le prolongateur de la tondeuse.

2. Basculer la tondeuse sur le côté (Fig. 17).

3. **VÉRIFICATION DE LA LAME** – Vérifier soigneusement l'affûtage et l'usure de la lame, surtout au point de rencontre des parties planes et incurvées (Fig. 19A). Le sable et les matières abrasives peuvent éroder le métal entre les parties planes et incurvées de la lame, il est donc important de contrôler l'état de la lame avant d'utiliser la tondeuse. Remplacer la lame si elle est usée ou entaillée (Fig. 19B & 19C). Voir le point 5.

Remarque: Pour un meilleur résultat, monter une nouvelle lame au début de la saison de tonte. En cours de saison, limer les petites ébréchures pour conserver une arête de coupe tranchante.

4. **DÉPOSE DE LA LAME**–Tenir la lame par l'extrémité avec un chiffon ou un gant épais. Retirer le boulon de lame, la rondelle et la lame (Fig. 20).

5. **AIGUISAGE DE LA LAME** – Au moyen d'une lime, aiguiser le bord supérieur de la lame en veillant à conserver l'angle de coupe d'origine (Fig. 21). Limer la même quantité de métal sur chaque arête de coupe pour conserver l'équilibre de la lame.


Important: Vérifier l'équilibre de la lame en la plaçant sur un équilibreur (dispositif peu coûteux vendu en quincaillerie). Une lame équilibrée reste horizontale, une lame déséquilibrée penche du côté le plus lourd. Si la lame n'est pas équilibrée, limer davantage le tranchant du côté le plus lourd.

6. Remonter la lame affûtée et équilibrée, la rondelle et le boulon de lame. Les parties incurvées de la lame doivent être tournées vers le haut du carter de la tondeuse. La rondelle est

bombée et doit être montée avec la face convexe vers le bas, comme illustré à la figure 20. Serrer le boulon de lame à 61-68 N·m (45-50 ft-lb).

Entretien d'une tondeuse à double isolement

Dans une tondeuse à double isolement, la mise à la terre est remplacée par deux systèmes d'isolement électrique. L'appareil n'est pas connecté à une prise de terre et ne doit pas l'être. L'entretien d'une tondeuse à double isolement requiert un très grand soin et une bonne connaissance du système, et ne doit être entrepris que par un technicien qualifié. Les pièces de rechange des tondeuses à double isolement doivent être identiques aux pièces d'origine. Les tondeuses à double isolement sont identifiées par une

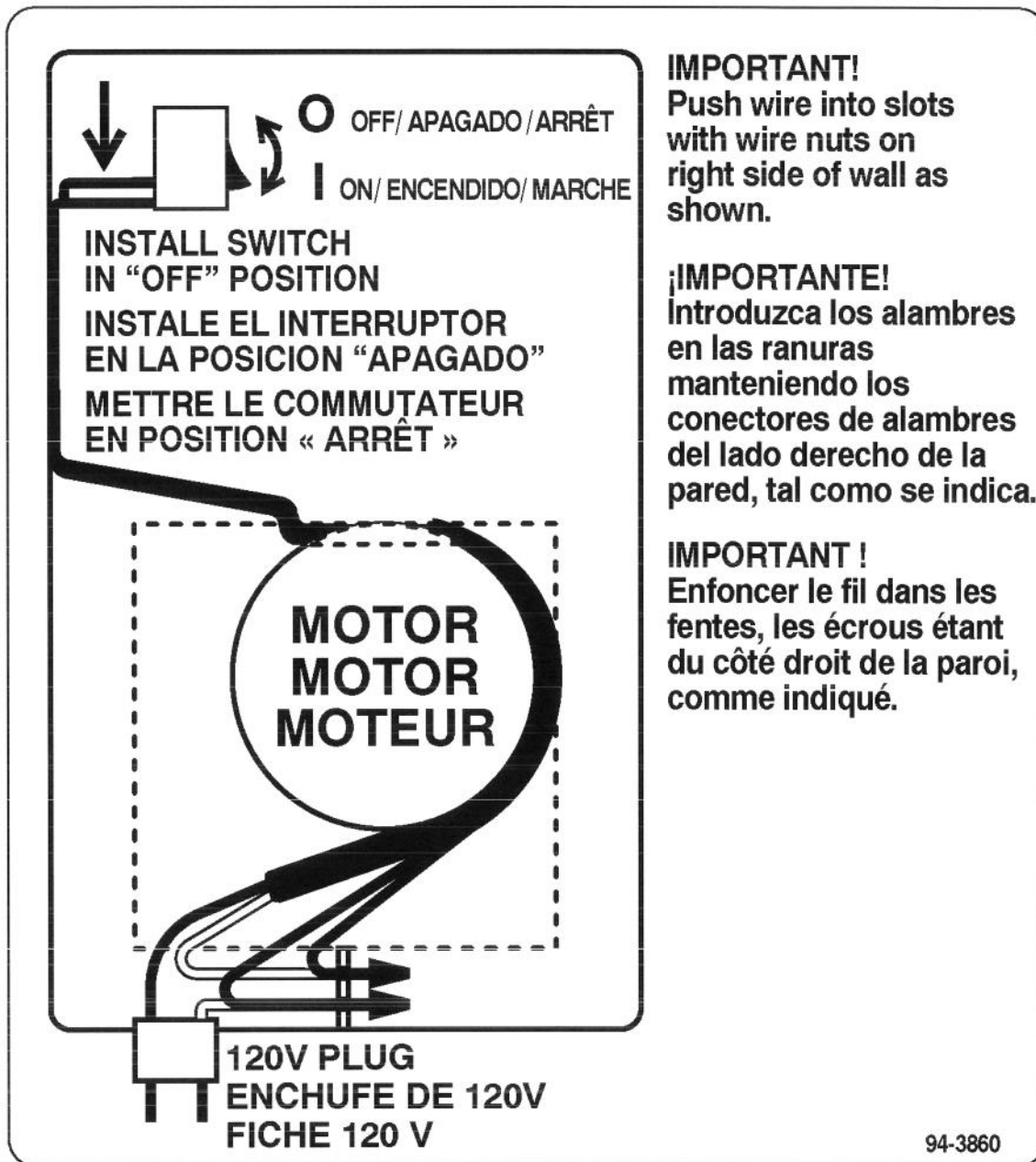
inscription "DOUBLE INSULATION" ou "DOUBLE INSULATED". Le symbole  (deux carrés l'un dans l'autre) peut aussi figurer sur l'appareil.

Remisage

Ranger la tondeuse dans un endroit propre et sec, et la couvrir pour la protéger.

1. Nettoyer le carter de tondeuse. Voir la section Nettoyage du chapitre Entretien.
2. Nettoyer les débris d'herbe, la saleté et la crasse des surfaces externes du capot et du dessus du carter de la tondeuse.
3. Contrôler l'état de la lame. Voir la section Lame du chapitre Entretien.
4. Serrer tous les écrous, boulons et vis.

Schéma de câblage





Tondeuses
électriques
et sans fil

GARANTIE TORO

COUVERTURE INTEGRALE

Garantie complète de deux ans
(Garantie limitée pour usage commercial)

Que couvre cette garantie expresse?

La société Toro s'engage à réparer tout produit TORO à usage privé normal* présentant un défaut de fabrication. La garantie couvre la période ci-dessous, à dater de l'achat:

- Tondeuses TORO électriques et sans fil Garantie complète de 2 ans

La garantie couvre les pièces et la main d'oeuvre. Le transport est à charge du client.

* L'usage privé normal désigne la tonte du gazon dans votre jardin. L'utilisation dans plusieurs jardins est considérée comme un usage commercial, couvert par une garantie limitée.

Produits couverts par la garantie

La présente garantie s'applique à toutes les tondeuses TORO électriques et sans fil. Les autres produits TORO à essence ou électriques font l'objet d'autres garanties.

Usage commercial

Les produits de consommation Toro à usage commercial, utilisés par des établissements ou donnés en location, sont garantis contre tout défaut de fabrication. La défaillance de pièces due à l'usure normale n'est pas couverte par cette garantie. La garantie couvre la période ci-dessous, à dater de l'achat:

- Tondeuses TORO électriques et sans fil à usage commercial Garantie limitée de 45 jours

Comment faire intervenir la garantie?

Si votre produit TORO requiert une intervention sous garantie, contactez le vendeur chez qui vous avez acheté votre produit, ou tout autre réparateur agréé TORO Service Dealer ou TORO Master Service Dealer (voir la liste dans les pages jaunes de l'annuaire téléphonique). Le concessionnaire prendra en charge votre produit, ou vous recommandera un autre réparateur agréé plus commode pour vous. Une preuve d'achat (copie de la carte d'enregistrement, facture, etc.) peut être nécessaire pour contrôler la validité de la garantie.

Si pour une raison ou une autre vous n'êtes pas satisfait du diagnostic de votre réparateur concernant le défaut de fabrication, ou pour connaître l'adresse d'un réparateur TORO agréé proche de chez vous, n'hésitez pas à nous contacter à l'adresse suivante:

Toro Customer Service Department
8111 Lyndale Avenue South
Bloomington, MN 55420-1196
612-888-8801
800-348-2424

Garantie de satisfaction de 30 jours

Si pour quelque raison que ce soit, vous n'êtes pas satisfait de votre tondeuse TORO électrique ou sans fil, vous pouvez la ramener là où vous l'avez achetée dans les 30 jours suivant l'achat à usage privé. Le vendeur vous donnera le choix entre un remboursement du prix d'achat initial ou une déduction du montant total à faire valoir sur l'achat de n'importe quelle tondeuse Toro à essence. Toutes les dispositions de remboursement ou de déduction doivent passer par le vendeur chez qui vous avez acheté votre tondeuse TORO électrique ou sans fil.

Pour ne pas perdre le droit à la garantie

Votre produit TORO doit être entretenu en suivant les instructions du mode d'emploi. Cet entretien de routine, qu'il soit effectué par vous ou par un concessionnaire, est à vos frais.

Ce que la garantie ne couvre pas et

Application à la garantie de la législation de l'Etat

Il n'y a pas d'autre garantie expresse. Cette garantie expresse ne couvre pas:

- Les coûts de pièces et main d'oeuvre pour l'entretien normal, tels que les filtres, les lubrifiants, l'affûtage de la lame et/ou le réglage des câbles et de la tringlerie.
- Les produits ou pièces ayant subi des modifications ou un usage abusif, ou nécessitant un remplacement ou une réparation en raison d'accidents ou d'un défaut d'entretien.
- Les réparations requises en raison d'un traitement incorrect de la batterie, d'irrégularités de l'alimentation électrique, ou d'une négligence des procédures de remisage requises.
- Les frais de transport.

Toutes les réparations couvertes par la présente garantie doivent être effectuées par un réparateur TORO agréé, à l'aide de pièces de rechange agréées par Toro.

La société Toro décline toute responsabilité en cas de dommages secondaires ou indirects liés à l'utilisation des produits TORO couverts par cette garantie, notamment quant aux coûts et dépenses encourus pour se procurer un équipement ou un service de substitution durant une période raisonnable pour cause de défaillance ou d'indisponibilité en attendant la réparation sous garantie. L'exclusion de la garantie des dommages secondaires ou indirects n'est pas autorisée dans certains Etats, et peut donc ne pas s'appliquer dans votre cas.

La présente garantie vous accorde des droits juridiques spécifiques, ainsi que d'autres droits éventuels susceptibles de varier d'un Etat à l'autre.

AUTRES PAYS QUE LES ETATS-UNIS ET LE CANADA

Pour les produits TORO exportés des Etats-Unis ou du Canada, demandez à votre distributeur (concessionnaire) TORO la police de garantie applicable dans votre pays ou région. Si pour une raison quelconque, vous n'êtes pas satisfait des services de votre distributeur, ou si vous avez du mal à vous procurer les informations de garantie, adressez-vous à l'importateur TORO. En dernier recours, adressez-vous à la société Toro.

Contenido

	Página
Introducción	1
Seguridad	2
Medidas de seguridad	2
Operación general	2
Mientras está funcionando	3
Mantenimiento y almacenamiento	4
Calcomanías de seguridad e instrucciones .	6
Montaje	7
Instalación de la manija	7
Instalación de la canaleta de descarga lateral	7
Antes de comenzar	8
Fije el cable de extensión	8
Planifique su patrón de corte	8
Operación	9
Instrucciones de arranque/ parada	9
Consejos para cortar el césped	9
Ajuste de la altura de corte	10
Mantenimiento	11
Limpieza	11
Cuchilla	11
Servicio para las cortadoras de césped con aislamiento doble	13
Almacenamiento	13
Diagrama de cableado	14
Garantía	Contraportada

Introducción

Gracias por comprar un producto Toro.

Todo el personal de Toro queremos que esté totalmente satisfecho con su nuevo producto. Por ello le rogamos que se ponga en contacto con su concesionario local autorizado, que dispone de piezas de repuesto Toro genuinas y le podrá ayudar con los problemas técnicos y asistirle en todo momento.

Siempre que se comunique con el Concesionario de Servicio Autorizado o con la fábrica, tenga a mano los números de modelo y serie del producto. Estos números ayudarán al Concesionario de Servicio o al Representante de Servicio a proporcionarle una información precisa acerca de su producto determinado. Encontrará la calcomanía con los números de modelo y serie en un lugar especial en el producto (Fig. 1).

Para su comodidad, anote a continuación el modelo y el número de serie de su producto.

Modelo No: _____
No. de serie: _____

Lea este manual detenidamente para aprender a utilizar y mantener correctamente su producto. La lectura de este manual le ayudará a Vd. y a otros a evitar lesiones corporales y daños a la máquina. Aunque Toro diseña, fabrica y comercializa productos seguros y de la más alta calidad, Vd. es el responsable de utilizar el producto de forma segura y adecuada. Vd. también es el responsable de instruir a las personas a las que tiene intención de dejar utilizar la máquina, para que la usen según las normas de seguridad.

A lo largo de este manual, Toro ha incluido avisos que identifican peligros potenciales y mensajes de seguridad especiales que le ayudarán a Vd. y a otros a evitar las lesiones corporales, incluso la muerte. Las palabras utilizadas para indicar estos mensajes e identificar el nivel de riesgo son PELIGRO, ADVERTENCIA y CUIDADO. No obstante, sin importar el nivel de riesgo, sea extremadamente cuidadoso.

PELIGRO señala una situación extremadamente arriesgada que causará lesiones graves, incluso la muerte, si no se siguen las precauciones indicadas.

ADVERTENCIA señala un riesgo que puede causar lesiones graves, incluso la muerte, si no se siguen las instrucciones indicadas.


CUIDADO señala un riesgo que puede causar lesiones leves o moderadas si no se siguen las instrucciones indicadas.

También se utilizan otras dos palabras para resaltar cierto tipo de información. “Importante” llama la atención sobre informaciones técnicas especiales y “Nota” hace hincapié sobre informaciones generales que es conveniente resaltar.

Los lados izquierdo y derecho de la cortadora se determinan desde la posición normal del operador, de pie detrás de la manija.

Seguridad

IMPORTANTES INSTRUCCIONES DE SEGURIDAD

Esta máquina cumple o excede los requisitos de seguridad de cuchilla CPSC para cortadoras de césped con cuchilla giratoria empujadas por usuario y cumple la especificación B71.1 del ANSI, en vigor en el momento de la fabricación. Sin embargo, el uso o mantenimiento indebido por parte del usuario o propietario puede causar lesiones. Para reducir el riesgo potencial de lesiones, cumpla estas instrucciones de seguridad y preste siempre atención al símbolo de alerta  que significa CUIDADO, ADVERTENCIA o PELIGRO—”instrucción relativa a la seguridad personal.” El incumplimiento de estas instrucciones puede dar lugar a lesiones corporales.

ADVERTENCIA: Para reducir el riesgo de incendio, choque eléctrico o lesiones al utilizar las cortadoras de césped eléctricas, respete siempre las siguientes instrucciones de seguridad

LEA TODAS LAS INSTRUCCIONES ANTES DE UTILIZAR ESTA CORTADORA

¡CONSERVE ESTAS INSTRUCCIONES PARA CONSULTARLAS EN EL FUTURO!

Medidas de seguridad

Este producto es capaz de amputar brazos o piernas y de lanzar objetos. Siga siempre todas las instrucciones de seguridad con el fin de evitar lesiones corporales graves e incluso la muerte.

Esta cortadora de césped está diseñada para cortar la hierba y para distribuir fertilizantes orgánicos y, cuando está equipada con un saco, para recoger la hierba cortada. Cualquier otro uso al que se la destine puede ser peligroso para el usuario o las personas a su alrededor.

Operación general

1. Lea detenidamente este manual antes de hacer funcionar la cortadora de césped. Familiarícese con los controles y su correcta utilización. Nunca deje que los niños menores de 16 años usen la cortadora de césped o que la utilicen adultos que no hayan recibido las instrucciones adecuadas.
2. El operador de la cortadora de césped es responsable de mantener a todos, especialmente los niños y los animales domésticos, fuera del área de funcionamiento. El operador es responsable de los accidentes o peligros a que están sometidas las personas que se encuentren en su propiedad.
3. Inspeccione cuidadosamente el área donde se va a utilizar la cortadora de césped y retire los palos, piedras, alambres y escombros que pudieran ser recogidos y lanzados por la cortadora. Mientras corta el césped, inspeccione el área en busca de objetos extraños.

4. Vístase con pantalones largos y zapatos resistentes. No utilice la cortadora de césped mientras lleve sandalias, joyas, ropas sueltas o esté descalzo. Cuando trabaje al aire libre, se recomienda el uso de guantes y calzado de goma.
5. Mantenga todas las guardas, protectores, dispositivos de seguridad, la canaleta de descarga lateral y el colector de hierba opcional en su lugar. Repare o reemplace las piezas defectuosas o dañadas, incluyendo las calcomanías. Compruebe todos los dispositivos de seguridad antes de cada uso.
6. El motor y la cuchilla están diseñados para detenerse cuando se suelta la barra de control. Compruebe que ésta funciona correctamente antes de cada uso.
7. Antes de utilizar, compruebe siempre visualmente que las cuchillas, los pernos de las cuchillas y el sistema de corte no están desgastados o dañados. Reemplace la cuchilla o los pernos gastados o dañados siempre en juegos, con el fin de mantener el equilibrio.
8. Utilice únicamente los accesorios y acoplamientos diseñados para este producto. El uso de cualquier otro accesorio o acoplamiento puede aumentar el riesgo de que se produzcan lesiones.
9. El circuito(s) o el enchufe(s) que vaya a ser utilizado con la cortadora de césped debe estar equipado con un interruptor de circuito con toma a tierra (Ground Fault Circuit Interrupter) (GFCI). Existen disponibles receptáculos con la protección GFCI incorporada, y deben ser utilizados para respetar esta medida de seguridad.
10. **ADVERTENCIA:** Para evitar los choques eléctricos, utilizar únicamente con un cable de extensión adecuado para ser utilizado al aire libre, tal como SW-A, SOW-A, STW-A, STOW-A, SJW-A, SJOW-A, SJTW-A, o SJTOW-A.

11. Cable de extensión – Cerciórese de que el cable de extensión utilizado esté en buenas condiciones. Cuando utilice un cable de extensión, cerciórese de utilizar uno lo suficientemente resistente para transportar la corriente que necesita su producto. Consulte el cuadro de cables de extensión, en la página 6.
12. Acople correctamente el cable de extensión para evitar que se desconecte (Fig. 12).

Mientras está funcionando

1. No enchufe el cable de extensión a la cortadora hasta que esté listo para cortar el césped.
2. Arranque la máquina cuidadosamente, siguiendo las instrucciones y con los pies bien alejados de la cuchilla.
3. Use el aparato correcto – No use el aparato para una labor que no sea aquella para la cual se diseñó.
4. Manténgase alerta – Preste atención a lo que está haciendo. No trabaje con la cortadora cuando esté cansado o bajo los efectos de drogas, alcohol o medicamentos.
5. Evite los entornos peligrosos. No haga funcionar la cortadora sobre hierba mojada o en lugares húmedos. No la utilice cuando llueva.
6. No haga funcionar el motor en recintos cerrados.
7. No haga funcionar la cortadora en atmósferas explosivas o saturadas de gas. Las chispas normalmente generadas por el motor podrían prender fuego a los vapores.
8. Manténgase siempre en posición estable. Mantenga firmemente agarrada la manija y camine, no corra nunca. Corte el césped durante el día o con iluminación artificial adecuada.
9. Corte el césped de las pendientes perpendicularmente a la pendiente, nunca de arriba a abajo. Sea extremadamente cuidadoso cuando cambie de dirección en una pendiente. No corte el césped de pendientes demasiado pronunciadas. Cuando corte el césped en pendientes, utilice zapatos antideslizantes.

10. No se sobreextienda – Mantenga el pisado y equilibrio debidos en todo momento.
11. No fuerce la cortadora. Funciona mejor y de forma más segura cuando se trabaja a la velocidad para la que fue diseñada.
12. Protéjase los ojos de los objetos que pueda lanzar la máquina utilizando siempre gafas de seguridad o protecciones oculares mientras se trabaja con la cortadora de césped. (Las lentes normales **no** son gafas de seguridad.)
13. Use siempre una máscara contra el polvo homologada cuando use la unidad en condiciones polvorientas.
14. Mantenga la cara, las manos y los pies alejados de la caja de la cortadora de césped y de la cuchilla de corte mientras el motor esté funcionando. La cuchilla puede causar lesiones en las manos y en los pies. Manténgase detrás de la manija hasta que el motor se detenga por completo
15. Maniobre con extremo cuidado cuando vaya marcha atrás o cuando mueva la cortadora de césped hacia Vd.
16. Ya que la cuchilla sigue girando unos segundos después de que se haya soltado la barra de control, manténgase detrás de la manija hasta que todas las piezas móviles se hayan detenido.
17. Después de golpear un objeto extraño o si la cortadora de césped vibra de forma extraña, pare el motor y desenchufe el cable de extensión. Compruebe que la cortadora de césped no ha sufrido daños y efectúe cualquier reparación necesaria antes de volver a utilizarla. Si fuera necesario efectuar reparaciones importantes o se desea asistencia técnica, póngase en contacto con su representante de servicio autorizado Toro.
18. No haga funcionar la cortadora si se ha caído o ha sufrido daños de algún tipo. Repare cualquier desperfecto antes de volver a utilizarla.
19. No pase la cortadora sobre el cable de extensión.
20. Inspeccione el cable periódicamente y repárelo si ha sufrido algún daño.
21. Trate el cable con cuidado. Nunca arrastre la cortadora por el cable o tire de éste para desenchufarlo del receptáculo. Mantenga el cable alejado de las fuentes de calor, del aceite y de los bordes agudos.
22. Pare el motor, espere a que todas las piezas móviles se detengan y desconecte el cable de extensión de la cortadora antes de ajustar la altura de corte.
23. Pare el motor antes de retirar la máquina del césped.
24. Detenga el motor y desconecte el cable de extensión de la cortadora antes de desmontar la canaleta de descarga lateral o el colector de hierba opcional.
25. Detenga el motor antes de abandonar la posición del operador, detrás de la manija. Desenchufe el cable de extensión de la cortadora si la va a dejar desatendida.
26. Si es necesario alzar la cortadora de césped para transportarla, apague el motor y manténgase detrás de la manija hasta que todas las piezas móviles se hayan detenido. Desenchufe el cable de extensión de la cortadora.

Mantenimiento y almacenamiento

1. Lleve a cabo solamente las instrucciones de mantenimiento descritas en este manual. Si la cortadora necesitase reparaciones importantes o si usted desea asistencia, comuníquese con su Representante de Servicio Autorizado TORO.
2. Antes de limpiar, inspeccionar, reparar o ajustar la cortadora de césped, pare el motor y espere a que todas las piezas móviles se detengan. Desenchufe el cable de extensión de la cortadora.
3. Para cerciorarse de que la cortadora esté en condiciones seguras de operación, examine frecuentemente todos los tornillos, tuercas y

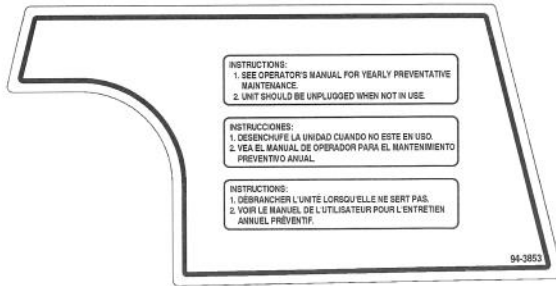
-
- pernos y manténgalos apretados. Asegúrese de que el perno de la cuchilla esté apretado a 61-68 N·m (45-50 libras-pie).
4. Mantenga siempre afilada la cuchilla de su cortadora de césped. Cuando repare la cuchilla, consulte la sección de mantenimiento de la cuchilla, donde se le informará acerca de los procedimientos correctos de instalación y reparaciones. Utilice únicamente cuchillas de repuesto idénticas a las originales.
 5. Para reducir el riesgo de incendio, mantenga el motor libre de exceso de hierba, hojas y acumulaciones de suciedad.
 6. Este aparato está provisto de doble aislamiento. Use únicamente piezas de repuesto idénticas. Consulte en la página 11 el servicio para las cortadoras de césped con doble aislamiento.
 7. Cuando no esté en uso, almacene la cortadora en un lugar seco, lejos del alcance de los niños. Espere a que el motor se enfríe antes de guardar la cortadora en un recinto cerrado.
 8. Al momento de su fabricación, la cortadora cumplía con las normas de seguridad vigentes para cortadoras rotativas. Para asegurar el rendimiento óptimo y el mantenimiento de la certificación de seguridad de la cortadora, use únicamente piezas y accesorios de repuesto TORO legítimos. Es posible que las piezas de repuesto y accesorios de otros fabricantes no satisfagan las normas de seguridad, lo cual podría resultar peligroso.

**¡CONSERVE ESTAS
INSTRUCCIONES PARA
CONSULTARLAS EN EL
FUTURO!**

Calcomanías de seguridad e instrucciones



Las calcomanías de seguridad e instrucciones están colocadas en un lugar fácilmente visible por el operador y cerca de las piezas potencialmente peligrosas. Reemplace cualquier calcomanía dañada o despegada.



EN EL PANEL DE CONTROL



SOBRE EL TAPÓN DE DISTRIBUCIÓN DE FERTILIZANTES ORGANICOS

⚠ WARNING

TO REDUCE THE RISK OF INJURY, INSPECT CATCHER ASSEMBLY FREQUENTLY AND REPLACE WITH RECOMMENDED REPLACEMENT IF THERE ARE SIGNS OF WEAR OR DETERIORATION.

⚠ ADVERTENCIA

PARA REDUCIR EL RIESGO DE LESIONES, INSPECCIONE FRECUENTEMENTE EL ENSAMBLAJE DEL RECEPTOR Y CAMBIELO POR LA PIEZA DE REPUESTO RECOMENDADA SI HAY SEÑALES DE DESGASTE O DETERIORO.

⚠ AVERTISSEMENT

POUR RÉDUIRE LES RISQUES DE BLESSURE, INSPECTER SOUVENT L'ENSEMBLE SAC COLLECTEUR D'HERBE ET REMPLACER AVEC DES PIÈCES RECOMMANDÉES CELLES QUI SEMBLENT USÉES OU DÉTÉRIORÉES.

SOBRE EL TAPÓN DE DISTRIBUCIÓN DE FERTILIZANTES ORGANICOS

⚠ DANGER	⚠ PELIGRO	⚠ DANGER
AVOID SERIOUS INJURY: OPERATE ONLY WITH DEFLECTOR, MULCH PLUG OR ENTIRE CATCHER IN PLACE.	EVITE LESIONES SERIAS: OPERE SOLO CON DEFLECTOR, TAPON DE ABONO O RECEPTOR COMPLETO EN SU LUGAR.	ÉVITER DE SÉRIEUSES BLESSURES: NE FAIRE FONCTIONNER QU'AVEC LE DÉFLECTEUR, L'OBTURATEUR DE PAILLIS OU L'ENSEMBLE COLLECTEUR EN PLACE.

SOBRE EL TAPÓN DE DISTRIBUCIÓN DE FERTILIZANTES ORGANICOS

⚠ WARNING

AVOID SERIOUS INJURY or DEATH:
• GO ACROSS SLOPES, NOT UP & DOWN. • DO NOT MOW WHEN CHILDREN OR OTHERS ARE PRESENT
• LOOK DOWN AND BEHIND BEFORE & WHILE MOVING BACKWARDS. KEEP SAFETY DEVICES (GUARDS, SHIELDS, ETC.) IN PLACE & WORKING. • REMOVE OBJECTS THAT COULD BE THROWN BY THE BLADE. • TO REDUCE RISK OF ELECTRIC SHOCK, DO NOT EXPOSE UNIT TO WATER OR OPERATE ON WET GROUND. • REPLACE DAMAGED CORD IMMEDIATELY. • UNPLUG UNIT BEFORE SERVICE OR INSPECTION. • DOUBLE INSULATED - WHEN SERVICING USE ONLY IDENTICAL REPLACEMENT PARTS. • READ THE OPERATOR'S MANUAL. FOR REPLACEMENT MANUAL, SEND MODEL & SERIAL NUMBER TO: THE TORO CO., 8111 LYNDALE AVE. S., BLOOMINGTON, MN 55420-1196. 93-3300

⚠ ADVERTENCIA

EVITE LESIONES SERIAS o LA MUERTE: • VAYA A TRAVÉS DE LAS PENDIENTES, NO HACIA ARRIBA Y HACIA ABAJO. • NO CORTE CUANDO HAYAN NIÑOS U OTRAS PERSONAS PRESENTES. • MIRE HACIA ABAJO Y DETRAS ANTES Y MIENTRAS LOS OBJETOS QUE PUEDAN SER ARROJADOS POR LA HOJA. • PARA REDUCIR EL RIESGO DE DESCARGA ELECTRICA, NO EXPONGA LA UNIDAD AL AGUA NI LA OPERE EN TERRENO HUMEDO. • CAMBIE EL CABLE DAÑADO INMEDIATAMENTE. • DESENCHUFE LA UNIDAD ANTES DE DARLE SERVICIO O INSPECCIONARLA. • AISLAMIENTO DOBLE - CUANDO ESTE DANDO SERVICIO USE SOLO PIEZAS DE REPUESTO IDENTICAS. • LEA EL MANUAL DEL OPERADOR. PARA PEDIR UN MANUAL DE REPUESTO, ENVIE EL MODELO Y NUMERO DE SERIE A: THE TORO CO., 8111 LYNDALE AVE. S., BLOOMINGTON, MINNESOTA 55420-1196 EE.UU. 93-3300

⚠ AVERTISSEMENT

ÉVITER LES BLESSURES GRAVES ou LA MORT : • PARCOURIR LES PENTES EN DIAGONALE ET NON DE HAUT EN BAS. • NE PAS TONDER LE GAZON EN PRÉSENCE D'UN ENFANT OU D'UNE AUTRE PERSONNE. • REGARDER LE SOL DERRIÈRE VOUS AVANT DE FAIRE MARCHÉ ARRIÈRE ET PENDANT QUE VOUS LE FAITES. • MAINTENIR LES DISPOSITIFS DE SÉCURITÉ EN PLACE ET EN BON ÉTAT (PROTECTIONS, DÉFLECTEURS, ETC.). • ENLEVER LES OBJETS QUI POURRAIENT ÊTRE PROJÉTÉS PAR LA LAMIE. • RÉDUIRE LES RISQUES DE CHOC ÉLECTRIQUE EN N'EXPOSANT PAS L'UNITE À L'EAU OU EN NE TRAVAILLANT PAS SUR UN SOL MOUILLE. • REMPLACER UN FIL ÉLECTRIQUE DES QU'IL EST ENDOMMAGÉ. • DEBRANCHER L'UNITE AVANT L'ENTRETIEN OU L'INSPECTION. • REMPLACER LES PIÈCES DÉFECTUEUSES PAR DES PIÈCES IDENTIQUES-DOUBLE ISOLEMENT. • LIRE LE MANUEL DE L'UTILISATEUR. POUR OBTENIR UN NOUVEAU MANUEL, ENVOYER LES NUMÉROS DE MODELE ET DE SERIE A: THE TORO CO., 8111 LYNDALE AVE. S., BLOOMINGTON, MN 55420-1196.

MEETS CPSC BLADE SAFETY REQUIREMENTS. PATENT PENDING PATENTE PENDANTE: BREVET EN COURS D'HOLOGATION 120 V. A.C./V.C.A. 60 Hz.

LISTED 967U ELECTRIC LAWN MOWER

MODEL CERTIFIED BY INDEPENDENT LABORATORY
ANSI S71.1-1990 SAFETY STANDARD

Model Number/Numero de Serie: Serial Number/Numero de Serie: 94-3860

EN LA PARTE TRASERA DE LA CORTADORA

⚠ IMPORTANT!
Push wire into slots with wire nuts on right side of wall as shown.

⚠ IMPORTANT!
Introduzca los alambres en los ranuras manteniendo los conectores de alambres del lado derecho de la pared, tal como se indica.

⚠ IMPORTANT!
Enfoncer le fil dans les fentes, les écrous étant du côté droit de la paroi, comme indiqué.

OFF / APAGADO / ARRÊT
ON / ENCENDIDO / MARCHE

INSTALL SWITCH IN "OFF" POSITION
INSTALE EL INTERRUPTOR EN LA POSICION "APAGADO"
METTRE LE COMMUTATEUR EN POSITION "ARRÊT"

MOTOR
MOTOR
MOTEUR

120V PLUG
ENCHUFE DE 120V
FICHE 120 V

94-3860

DEBAJO DE LA TAPA (N° de ref. 94-3860)

Montaje

Importante: No enchufe el cable de extensión a la cortadora hasta que ésta esté completamente montada. Además, desenchufe siempre el cable de extensión antes de agregar o cambiar accesorios.

Instalación de la manija

Importante: El cable de control debe estar por encima, no por debajo, de las manijas (Fig. 2).

ADVERTENCIA

PELIGRO POTENCIAL

- Tirar excesivamente del cable de control puede hacer que la cortadora se ponga en marcha. Cuando la cortadora es operacional, la cuchilla está girando.

LO QUE PUEDE SUCEDER

- El contacto con un cuchilla giratoria puede causar lesiones personales graves.

COMO EVITAR EL PELIGRO

- No levante la cortadora por el cable o tire excesivamente del mismo.

1. Levante el cable de control por encima de los orificios situados en la parte trasera de la cubierta.
2. Manija inferior – Deslice los extremos de la manija inferior en los orificios de la cubierta.

Si la manija se detiene antes de que los orificios para los tornillos estén alineados en la parte central de las aberturas de la cubierta, empuje hacia abajo la sección inferior de la manija mientras introduce los tubos en los orificios de la

cubierta (Fig. 3). Empuje los tubos hasta que los orificios para los tornillos estén centrados en las aberturas de la cubierta.

Sujete los extremos de la manija inferior con dos tornillos.

3. Manija superior – Se puede ajustar la altura de la manija a tres posiciones diferentes, para comodidad del operario. Colóquese detrás de la cortadora para estimar la altura correcta. Coloque los extremos de la manija superior en la parte exterior de la manija inferior. Seleccione un juego de orificios en la manija superior y alinéelos con los orificios de la manija inferior. Sujete las manijas mediante los pernos y las perillas.
4. Si las manijas están en la posición de máxima altura, utilice la grapa para sujetar el cable en el lado izquierdo del tubo de la manija inferior (Fig. 5).

Si las manijas están en la posición de mínima altura, utilice la grapa para sujetar el cable en el lado derecho del tubo de la manija inferior (Fig. 6).

Instalación de la canaleta de descarga lateral

Si desea descargar lateralmente los recortes de hierba mientras corta el césped, coloque la canaleta de descarga lateral.

1. Para abrir la puerta de distribución de fertilizantes orgánicos, utilice el asa (Fig. 7).
2. Enganche la canaleta de descarga lateral en las clavijas (Fig. 8 y 9).
3. Descienda la puerta de distribución de fertilizantes orgánicos sobre la parte superior de la canaleta de descarga lateral (Fig. 10).

Antes de comenzar

Fije el cable de extensión

Use solamente un cable de extensión listado por UL (certificado por CSA en Canadá) y recomendado para el uso al aire libre. Consulte la Tabla de Cables de Extensión.

TABLA DE CABLES DE EXTENSIÓN		
Si la longitud del cable de extensión es como mínimo igual a:	30,5 m (100 pies)	46 m (150 pies)
Cerciórese de que el calibre del alambre (A.W.G.) sea:	14	12

Nota: No se recomienda el uso de un cable de extensión de más de 46 m (150 pies).

ADVERTENCIA

PELIGRO POTENCIAL

- El contacto con agua mientras la unidad está funcionando puede provocar una sacudida eléctrica.

LO QUE PUEDE SUCEDER

- Una sacudida eléctrica puede causar lesiones graves o incluso la muerte.

COMO EVITAR EL PELIGRO

- No toque el enchufe ni la cortadora de césped con las manos mojadas ni mientras esté parado en el agua.
- Use solamente un cable de extensión listado por UL (certificado por CSA en Canadá) y recomendado para el uso al aire libre a baja temperatura. Consulte la Tabla de Cables de Extensión en la página 6.

Para reducir el riesgo de choques eléctricos, esta cortadora tiene un receptáculo de enchufe polarizado (una patilla es más ancha que la otra) (Fig. 11). El enchufe del cable de extensión encajará en el receptáculo polarizado sólo en una posición. Si el enchufe no encaja perfectamente en el receptáculo, invierta el enchufe. Si tampoco encaja, consulte a un

electricista cualificado para la elección del enchufe adecuado. No modifique de ninguna forma el receptáculo de la toma de corriente.

1. Forme un lazo en el cable de extensión y fíjelo en bloqueo para cables (Fig. 12).
2. Enchufe el cable de extensión a la cortadora (Fig. 12).

Nota: No desenchufe el cable de extensión tirando del cable. Para desenchufarlo, agarre la toma de corriente, no el cable.

ADVERTENCIA

PELIGRO POTENCIAL

- El cable eléctrico podría dañarse.

LO QUE PUEDE SUCEDER

- El cable eléctrico dañado podría causar una descarga o un incendio.

COMO EVITAR EL PELIGRO

- Inspeccione minuciosamente el cable eléctrico antes de usar la unidad. Si el cable está dañado, no use el aparato. Cambie o repare el cable dañado inmediatamente. Comuníquese con su concesionario de servicio TORO para pedir ayuda.

Planifique su patrón de corte

Si planifica un patrón de corte y sigue su recorrido, reducirá el riesgo de pasar por encima del cable con la cortadora, y el cable no sufrirá un desgaste innecesario. No deje que el cable de extensión se enrosque alrededor de árboles, arbustos u otros obstáculos.

1. Comience a cortar el césped cerca de la toma eléctrica y continúe alejándose de ella (Fig. 13). Corte siguiendo un patrón hacia adelante y hacia atrás.
2. Cuando efectúe el giro al llegar al final de una hilera de corte, tenga cuidado de no pasar por encima del cable de extensión.

ADVERTENCIA: Si el cable de extensión está dañado, no use el aparato. Cambie o repare el cable dañado inmediatamente. Comuníquese con su concesionario de servicio TORO para pedir ayuda.

Operación

Esta cortadora está destinada únicamente al uso residencial.

ADVERTENCIA

PELIGRO POTENCIAL

- Cuando el cable de extensión está conectado a la cortadora y enchufado a una toma de corriente casera, la cortadora es operacional. Alguien la podría poner en marcha accidentalmente.

LO QUE PUEDE SUCEDER

- El arrancado accidental de la cortadora puede lesionar gravemente al operador o a los espectadores.

COMO EVITAR EL PELIGRO

- Desenchufe siempre el cable de extensión del receptáculo de la cortadora cuando la vaya a dejar desatendida, incluso por un período de tiempo reducido.

Instrucciones de arranque/parada

Para arrancar el motor

1. Conecte el cable de extensión en la cortadora (Fig. 12).
2. Enchufe el otro extremo del cable a una toma de corriente casera.
3. Hale la barra de control hacia la manija mientras empuja la guía de deslizamiento sobre el control (Fig. 14).

4. Apriete la barra de control contra la manija (Fig. 15).

Para detener el motor

1. Suelte la barra de control.
2. Desenchufe el cable de extensión de la cortadora si la va a dejar desatendida durante algún tiempo.

Consejos para cortar el césped

Consejos para la distribución de fertilizantes orgánicos

Su cortadora de césped está diseñada para distribuir la hierba cuando la puerta de distribución de fertilizantes orgánicos esté perfectamente cerrada (Fig. 7). Cuando se corten hierba y hojas, siga estas instrucciones con el fin de conseguir los mejores resultados y el césped con mejor aspecto:

- Mantenga una **cuchilla afilada** durante toda la temporada de corte. Periódicamente, afile las melladuras de la cuchilla.
- **Sólo corte hierba y hojas secas.** La hierba y las hojas mojadas tienden a agruparse y pueden obstruir la cortadora o ahogar el motor. Además, son resbaladizas y aumentan el riesgo de deslizamientos y caídas por parte del operador.

ADVERTENCIA

PELIGRO POTENCIAL

- La hierba húmeda le puede hacer resbalar y tropezar con la cuchilla.

LO QUE PUEDE SUCEDER

- El contacto con la cuchilla le puede lesionar gravemente.

COMO EVITAR EL PELIGRO

- Corte la hierba sólo en condiciones secas.

- Después de cada utilización, limpie la parte inferior de la cubierta, eliminando las acumulaciones de hojas.

- La hierba crece a diferente velocidad dependiendo de la época del año. En el calor del verano es mejor, generalmente, cortar la hierba en las graduaciones de altura de 2 1/2", 3" o 3 1/2". Debe cortarse sólo un tercio de la altura de la hoja de hierba. No se recomienda cortar a una graduación inferior a 2 1/2" a menos que la hierba sea muy mala o a fines del otoño cuando el crecimiento de la hierba comienza a ser lento.
- Cuando cambie la posición de la altura de corte desde uno de los valores fijados (ej. 2 1/2", 3" o 3 1/2") a una posición más baja, es posible que la hierba aparezca descuidada o desigual hasta que ésta se habitúe a la nueva altura de corte y recobre su aspecto normal.
- Cuando se corte hierba de más de 15 cm (6 pulgadas) de altura, puede ser preferible utilizar primero la canaleta de descarga lateral o intentar la máxima altura de corte y una velocidad de avance lenta; después se puede volver a pasar con un ajuste de altura más bajo, mejorando el aspecto del césped. Si la hierba es demasiado alta y hay acumulaciones de hojas, la cortadora puede atascarse y ahogar el motor.
- Alterne la dirección del corte. Esto ayudará a dispersar los recortes por todo el césped para una fertilización más uniforme.

Si la apariencia del césped acabado de cortar no es satisfactoria, intente uno o más de los siguientes:

- Afile la cuchilla.
- Camine más despacio mientras poda el césped.
- Eleve la graduación de altura de corte de la cortadora.
- Corte el césped con mayor frecuencia.
- Solape las sendas de corte en lugar de cortar una sola senda con cada pasada.
- Fijar la altura de corte de las ruedas delanteras una ranura más abajo que las ruedas traseras. (por ejemplo: fije las ruedas delanteras en 5 cm (2 pulgadas), y las ruedas traseras en 6,2 cm (2,5 pulgadas))

Cortar hojas

- Cuando haya terminado de cortar, asegúrese siempre de que se vea el 50% del césped a través del manto de hojas cortadas. Esto puede requerir una o más pasadas sobre las hojas.
- Para una cubierta de hojas ligera, fije todas las ruedas a la misma altura de corte.
- Camine más lentamente si las hojas no son cortadas lo suficientemente finas como para ocultarse entre la hierba.
- Si usted corta gran cantidad de hojas de roble, puede que necesite agregar cal a su césped en la primavera. La cal reduce la acidez de las hojas de roble.

Ajuste de la altura de corte

La cortadora tiene cinco posiciones de altura de corte: 1 1/2", 2", 2 1/2", 3" y 3 1/2". La palanca de ajuste posterior fija la altura de corte de las dos ruedas traseras y la palanca de ajuste delantera la de las ruedas delanteras.



PELIGRO

PELIGRO POTENCIAL

- **El ajustar las palancas de altura de corte puede hacer que las manos hagan contacto con la cuchilla en movimiento.**

LO QUE PUEDE SUCEDER

- **El contacto con la cuchilla puede causar serias lesiones personales.**

COMO EVITAR EL PELIGRO

- **Pare el motor, desenchufe el cable de extensión de la cortadora y espere a que todas las piezas móviles se detengan antes de cambiar la altura de corte.**
- **No meta los dedos debajo de la caja para levantar la cortadora cuando ajuste las palancas de altura de corte.**

1. Pare el motor y espere a que todas las piezas móviles se detengan. Desenchufe el cable de extensión de la cortadora.

2. Para facilitar el ajuste, levante la caja de modo que la rueda no toque el suelo. **Al alzar no meta los dedos debajo de la cubierta.** Apriete la palanca de ajuste hacia la rueda (Fig. 16) y muévala hasta la posición deseada. Asegúrese de que el pasador de la palanca de ajuste de corte se enganche en la ranura de la placa de la caja. Ajuste todas las ruedas a la misma altura de corte.

Nota: Para ajustar más fácilmente las ruedas traseras, agarre con una mano la manija inferior y levante ligeramente la cortadora, hasta que la rueda no toque el suelo. Después, apriete la manija de ajuste contra la rueda.

Mantenimiento

ADVERTENCIA

PELIGRO POTENCIAL

- Cuando el cable de extensión está conectado a la cortadora y enchufado a una toma de corriente casera, la cortadora es operacional. Alguien la podría poner en marcha accidentalmente.

LO QUE PUEDE SUCEDER

- El arrancado accidental de la cortadora puede lesionar gravemente al operador o a los espectadores.

COMO EVITAR EL PELIGRO

- Desenchufe siempre el cable de extensión del receptáculo de la cortadora cuando la vaya a dejar desatendida, incluso por un período de tiempo reducido.

Limpieza

Antes de limpiar la cortadora, pare el motor, espere a que todas las piezas móviles se detengan y desenchufe el cable de extensión de la cortadora.

Importante: No limpie la cortadora con una manguera de jardín. La humedad puede quedar atrapada en la cortadora y corroer las piezas internas.

Después de cada utilización

- Limpie la parte inferior de la caja de la cortadora. Preste especial atención en que la cavidad delantera quede libre de suciedad (Fig. 17). Elimine la suciedad y los recortes de hierba con un raspador de madera dura. Evite las protuberancias y los bordes afilados.
- Elimine toda suciedad de la parte superior de la caja de la cortadora.
- Inspeccione el receptáculo de la toma de corriente en busca de partes fundidas o calientes. Los enchufes viejos o gastados que quedan flojos en el receptáculo de la toma de corriente pueden causar un contacto defectuoso o el sobrecalentamientos. Reemplace inmediatamente cualquier cable de extensión dañado.

Una vez al año

- Retire la cubierta superior (Fig. 18) y limpie la suciedad acumulada con aire comprimido, un aspirador o un cepillo.
- Busque alambres o interruptores decolorados o chamuscados. Si detecta algún deterioro, comuníquese con su concesionario de servicio Toro para efectuar las reparaciones pertinentes.

Cuchilla

Corte siempre con una cuchilla afilada. Una cuchilla afilada corta limpiamente y sin rasgar o deshilar las briznas de hierba como haría una cuchilla sin filo.

ADVERTENCIA

PELIGRO POTENCIAL

- Alguien podría arrancar accidentalmente el motor.

LO QUE PUEDE SUCEDER

- El arranque accidental del motor podría causar serias lesiones al operador o a los espectadores.

COMO EVITAR EL PELIGRO

- No intente inspeccionar, desmontar o cambiar la cuchilla sin antes desenchufar el cable de extensión de la cortadora.

1. Pare el motor y espere a que todas las piezas móviles se detengan. Desenchufe el cable de extensión de la cortadora.
2. Incline la cortadora hacia un lado (Fig. 17).
3. **INSPECCIÓN DE LA CUCHILLA** – Inspeccione minuciosamente la cuchilla para determinar su filo y desgaste, especialmente en el área de unión de las partes planas y curvas (Fig. 19). Puesto que la arena y los materiales abrasivos pueden desgastar el metal que une las partes plana y curva de la cuchilla, es necesario examinar la condición de la cuchilla antes de usar la máquina. Si se detectan muescas o desgaste, (Fig. 19B y 19C), reemplace la cuchilla. Consulte el paso 5.

Nota: Para lograr el rendimiento óptimo, instale la cuchilla nueva antes de comenzar la temporada de corte. A lo largo del año, lime las pequeñas melladuras para mantener el borde de corte.

PELIGRO

PELIGRO POTENCIAL

- Una cuchilla gastada o dañada podría partirse y un pedazo de la misma podría ser lanzado hacia el área del operador o de un espectador.

LO QUE PUEDE SUCEDER

- Un pedazo desprendido de la cuchilla puede causar serias lesiones o la muerte al operador o a un espectador.

COMO EVITAR EL PELIGRO


- Compruebe periódicamente si la cuchilla está gastada o dañada.
- Reemplace la cuchilla gastada o dañada.

4. **REMOCIÓN DE LA CUCHILLA** – Sujete el extremo de la cuchilla usando un trapo o un guante grueso. Quite el perno de la cuchilla, la arandela y la cuchilla (Fig. 20).
5. **AFILADO DE LA CUCHILLA** – Utilice una lima para afilar la cara superior de la cuchilla y mantener el ángulo de corte original (Fig. 21). La hoja permanecerá equilibrada si se quita la misma cantidad de material de ambos bordes de corte.
IMPORTANT: Compruebe el equilibrio de la cuchilla colocándola sobre un equilibrador para cuchilla, el cual puede adquirirse a bajo costo en una ferretería. Si la cuchilla está equilibrada, se mantendrá en posición horizontal. Si no lo está, se inclinara hacia el lado más pesado. Si la hoja de la cuchilla no está equilibrada, será necesario quitar más material del borde de corte más pesado.
6. Vuelva a instalar la cuchilla afilada y equilibrada, la arandela, y el perno de la cuchilla. Para asegurarse de la instalación correcta, la parte de la aleta deberá quedar hacia la parte superior de la caja de la cortadora. La arandela está curvada y debe volver a instalarse con el

lado curvado dirigido hacia abajo, tal como se muestra en la Figura 20. Apriete el perno de la cuchilla a 61-68 N · m (45-50 libras-pie).

Servicio para las cortadoras de césped con aislamiento doble

Con las cortadoras con doble aislamiento, en vez de la toma a tierra, se suministran dos sistemas de aislamiento. Este tipo de cortadoras no incluye los medios para realizar una toma a tierra ni dichos medios deberían ser acoplados a ellos. Las operaciones de servicio para las cortadoras con doble aislamiento requieren un cuidado y un conocimiento del sistema extremos, y sólo deben ser realizados por personal de servicio cualificado. Las piezas de repuesto para este tipo de cortadoras deben ser idénticas a las piezas a las que reemplazan. Una cortadora con doble aislamiento está marcada con las palabras “DOBLE AISLAMIENTO” o

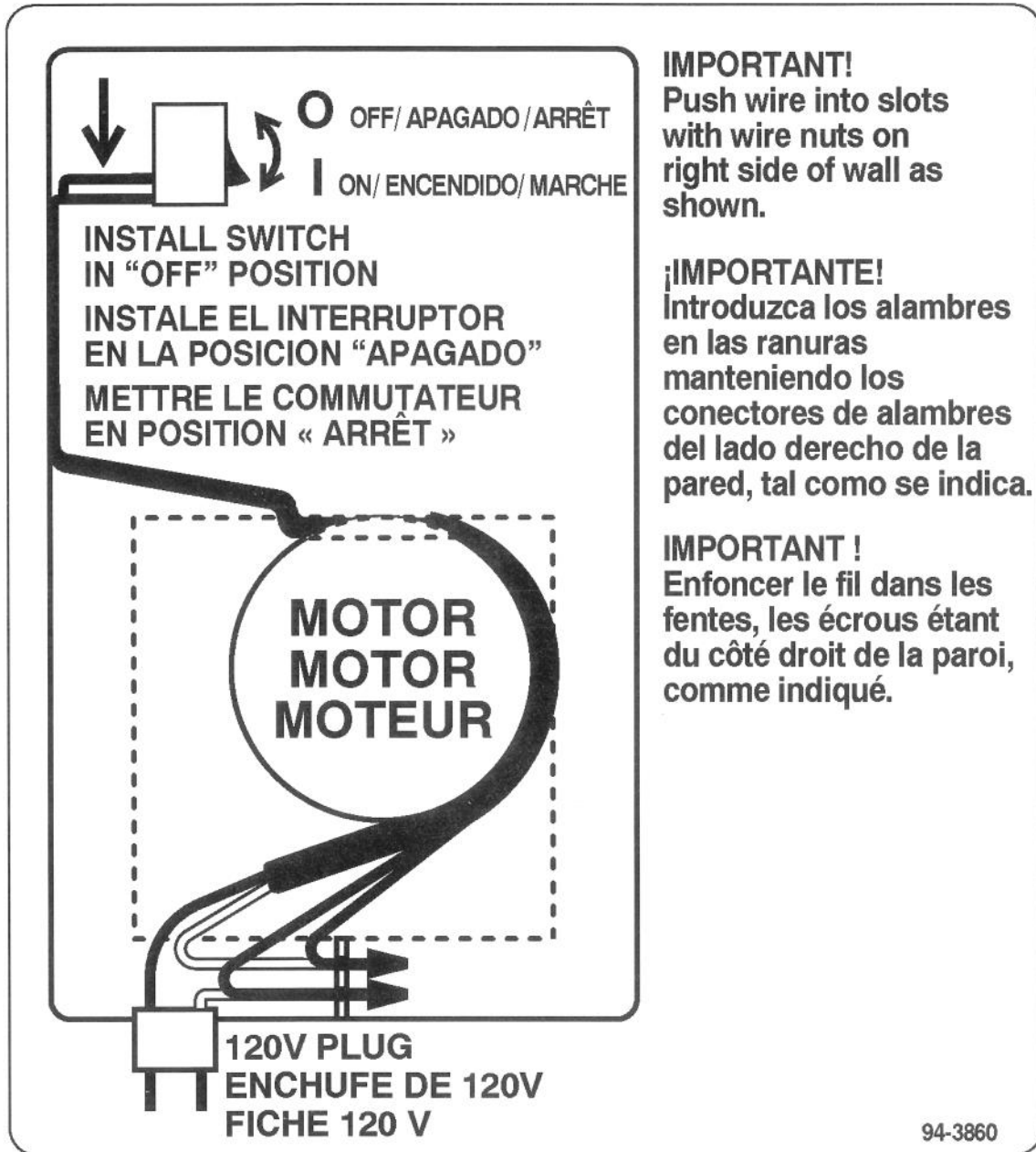
“DOBLEMENTE AISLADO.” La cortadora también puede estar marcada con el símbolo (un cuadrado dentro de otro cuadrado) .

Almacenamiento

Guarde la cortadora en un lugar frío, limpio y seco. Cúbrela para mantenerla limpia y protegida.

1. Limpie la caja de la cortadora. Consulte la sección “Limpieza”, en el capítulo “Mantenimiento”.
2. Quite los recortes de hierba, suciedad y mugre de las partes externas de la cubierta y la parte superior de la caja de la cortadora.
3. Compruebe el estado de la cuchilla. Consulte la sección “Cuchilla” en el capítulo “Mantenimiento”.
4. Apriete todas las tuercas, pernos y tornillos.

Diagrama de cableado





Cortadoras de
césped eléctricas
e inalámbricas

LA GARANTIA DE COBERTURA TOTAL DE TORO

Una garantía completa de dos años
(Garantía limitada para el uso comercial)

¿Qué está cubierto por esta garantía explícita?

The Toro Company se compromete a reparar cualquier producto TORO utilizado para uso residencial normal*, si hubiera defectos en los materiales o la mano de obra. Los siguientes períodos de tiempo entran en vigor a partir de la fecha de la compra:

- Cortadoras de césped eléctricas
inalámbricas de TORO 2 años de garantía completa

Se incluye el coste de las piezas y la mano de obra, pero los costes de transporte corren a cargo del cliente.

* Un uso residencial normal se refiere al corte el césped en el terreno que rodea su hogar. El uso en más de una ubicación se considera un uso comercial y, en dicho momento, entrará en vigor la garantía para uso comercial.

¿Qué productos están cubiertos por esta garantía?

Esta garantía concierne a todas las cortadoras de césped eléctricas e inalámbricas de TORO. Todos los demás productos TORO, eléctricos o con motor de gasolina, están cubiertos por un certificado de garantía diferente.

¿Qué ocurre con el uso comercial?

Los productos destinados al consumidor de Toro utilizados para uso comercial, institucional o para alquiler están garantizados contra los defectos de material y de mano de obra. El fallo de los componentes debido al desgaste normal no está cubierto por esta. Los siguientes períodos de tiempo entran en vigor a partir de la fecha de la compra:

- Cortadoras de césped eléctricas
inalámbricas de TORO
usadas comercialmente 45 días de garantía limitada

¿Cómo obtener el servicio de garantía?

Si cree que su producto TORO requiere de un servicio que está cubierto por la garantía, póngase en contacto con el concesionario donde adquirió el producto o cualquier concesionario autorizado de servicio TORO o con el Concesionario central de servicio de TORO. Las páginas amarillas de su guía telefónica son una excelente referencia. El concesionario organizará las disposiciones necesarias para efectuar las reparaciones en su establecimiento o le recomendará otro concesionario autorizado de servicio que le resulte más conveniente. Puede ser necesario presentar una prueba de compra (copia del cupón de registro, recibo de venta, etc.) para la validación de la garantía.

Si, por cualquier motivo, usted no quedase satisfecho del análisis que el concesionario de servicio realiza sobre los materiales o la mano de obra defectuosos, o si necesita una carta de presentación para el Concesionario de servicio TORO, no dude en ponerse en contacto con nosotros en la siguiente dirección:

Toro Customer Service Department
8111 Lyndale Avenue South
Bloomington, MN 55420-1196
612-888-8801
800-348-2424

30 Day Satisfaction Guarantee

Si, por cualquier razón, no está satisfecho con su Cortadora de césped eléctrica o inalámbrica de TORO dentro de los 30 días siguientes a su adquisición para uso residencial, puede devolver la cortadora al establecimiento comercial donde la adquirió. El comerciante ofrecerá al cliente la elección entre el reembolso del precio de compra original o un vale de crédito que podrá utilizarse en la adquisición de cualquier cortadora de césped con motor de gasolina de Toro. Todos los acuerdos de reembolso o crédito deberán realizarse con el comerciante que le vendió la cortadora de césped eléctrica o inalámbrica TORO.

¿Qué debe hacer usted para mantener vigente la garantía?

Usted debe mantener su producto TORO siguiendo los procedimientos de mantenimiento descritos en el manual del operador. Dichas intervenciones de mantenimiento, tanto si las realiza Usted como un concesionario de servicio, corren a su cargo.

¿Qué no está cubierto por esta garantía?

y ¿Cuál es la relación entre las leyes de su estado y esta garantía?

No hay ninguna otra garantía explícita. Esta garantía explícita no cubre:

- El coste de las piezas o reparaciones incluidas en las operaciones de mantenimiento regulares, tales como filtros, combustible, lubricantes, afilado de la cuchilla, cuchillas desgastadas, y/o ajustes del cableado y el varillaje.
- Cualquier producto o pieza que haya sido alterado o maltratado o requiera ser cambiado o reparado debido a accidentes causados por la falta de un mantenimiento adecuado.
- Las reparaciones necesarias debidas al cuidado incorrecto de la batería, irregularidades en el suministro eléctrico o la falta de preparación de la cortadora antes de comenzar un período de inactividad.
- Los costes de recogida y entrega.

Todas las reparaciones cubiertas por esta garantía deben ser efectuadas por un representante de servicio TORO autorizado que use piezas de repuesto Toro aprobadas.

Toro Company declina cualquier responsabilidad, en caso de daños indirectos, fortuitos o resultantes relacionados con la utilización de los productos TORO cubiertos por esta garantía, incluyendo cualquier coste o gasto relacionado con el suministro de equipo de sustitución o servicio durante los períodos de malfuncionamiento o inactividad razonables durante el transcurso de las reparaciones cubiertas por esta garantía. Ciertos estados no permiten la exclusión de daños directos o indirectos, por ello, es posible que la exclusión anterior no se pueda aplicar a su caso en particular.

Esta garantía le proporciona derechos legales específicos. También se puede beneficiar de otros derechos que varían de un estado a otro.

PAÍSES DISTINTOS A ESTADOS UNIDOS Y CANADÁ

Los clientes que compraron productos de TORO exportados de Estados Unidos o Canadá deben comunicarse con su Distribuidor (Concesionario) de TORO para pedir información acerca de la política sobre garantía para su país, provincia, estado o departamento. Si por cualquier motivo no queda satisfecho con el servicio del Distribuidor o tienen dificultad en obtener la información acerca de la garantía, comuníquese con el importador de TORO. Si fracasan todos los demás recursos, póngase en contacto directo con nosotros, The Toro Company.