



**Count on it.**

**Parts Catalog**

**X25 GeoLink® Precision Spray  
System Finishing Kit**

**Serial Number 315000001 and After Multi  
Pro® 1750 Turf Sprayer**

Model No. 41631



# Ordering Replacement Parts

To order replacement parts, please supply the part number, the quantity, and the description of each part desired.

## Understanding Reference Numbers

Each identified part in an illustration has a reference number. The reference number for a part also appears in the parts list, along with other information about the part.

This catalog uses two special reference number formats, one to indicate parts in a service assembly and another to indicate the quantity of a given part in an illustration.

## Service Assembly Reference Numbers

Parts in service assemblies have reference numbers in the form a:b. The a represents the reference number of the entire service assembly and the b represents a sequential number unique to each part within the service assembly.

For example, a wheel assembly might be identified by reference number 6, the tire by 6:1, the valve by 6:2, and the wheel by 6:3. When you order the assembly identified by reference number 6, you receive all parts identified by reference numbers 6:1, 6:2, and 6:3. However, you may also order any part individually. Reference numbers of this type appear in illustration and in parts lists.

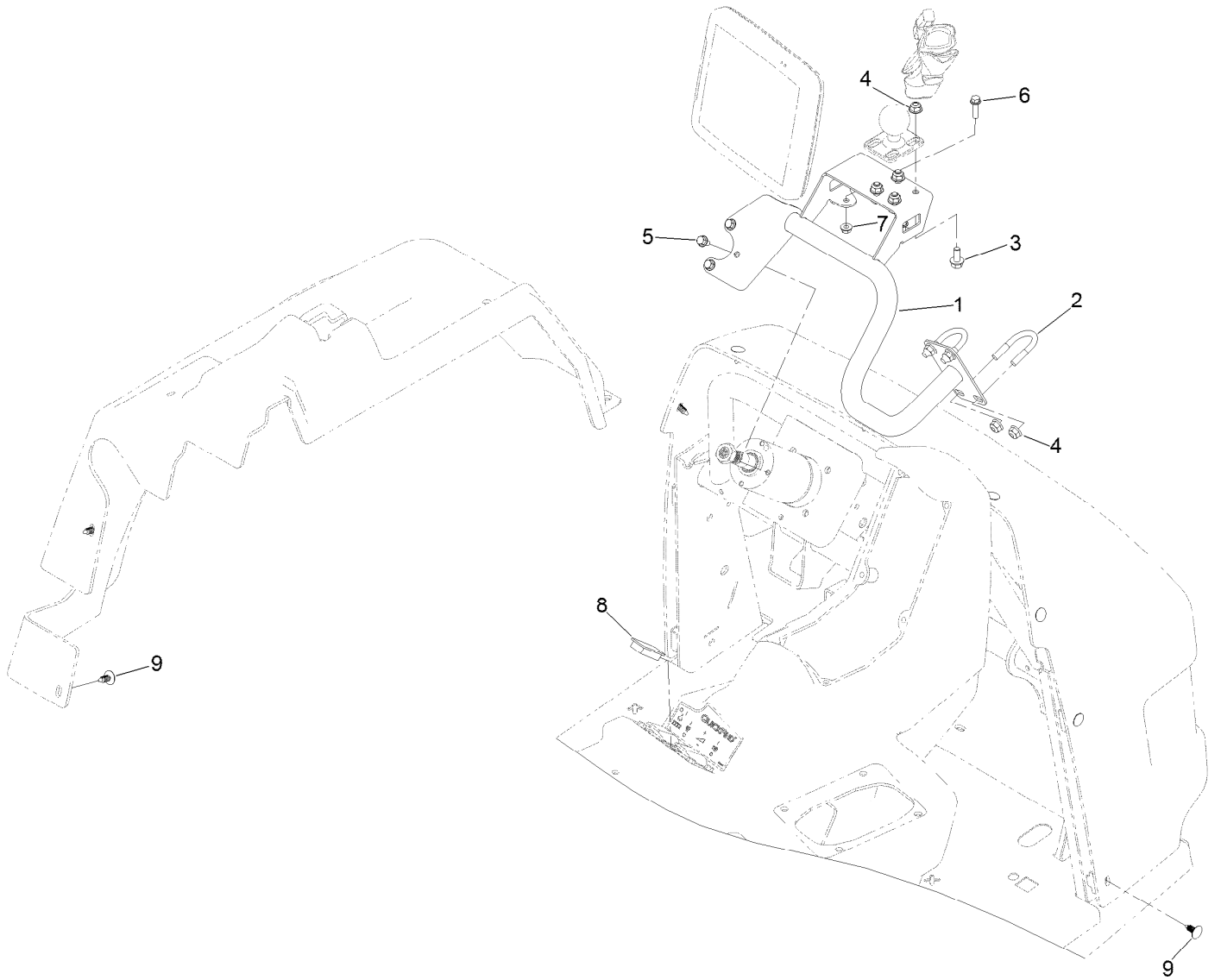
## Reference Numbers Indicating Quantity

In an illustration, if a reference number indicates more than one part, the reference number has the form nX y. The n represents the quantity of the part, the X is the multiplication symbol, and the y represents the reference number.

For example, in an illustration, the reference number 2X 37 means that two of the parts identified by reference number 37 are indicated.

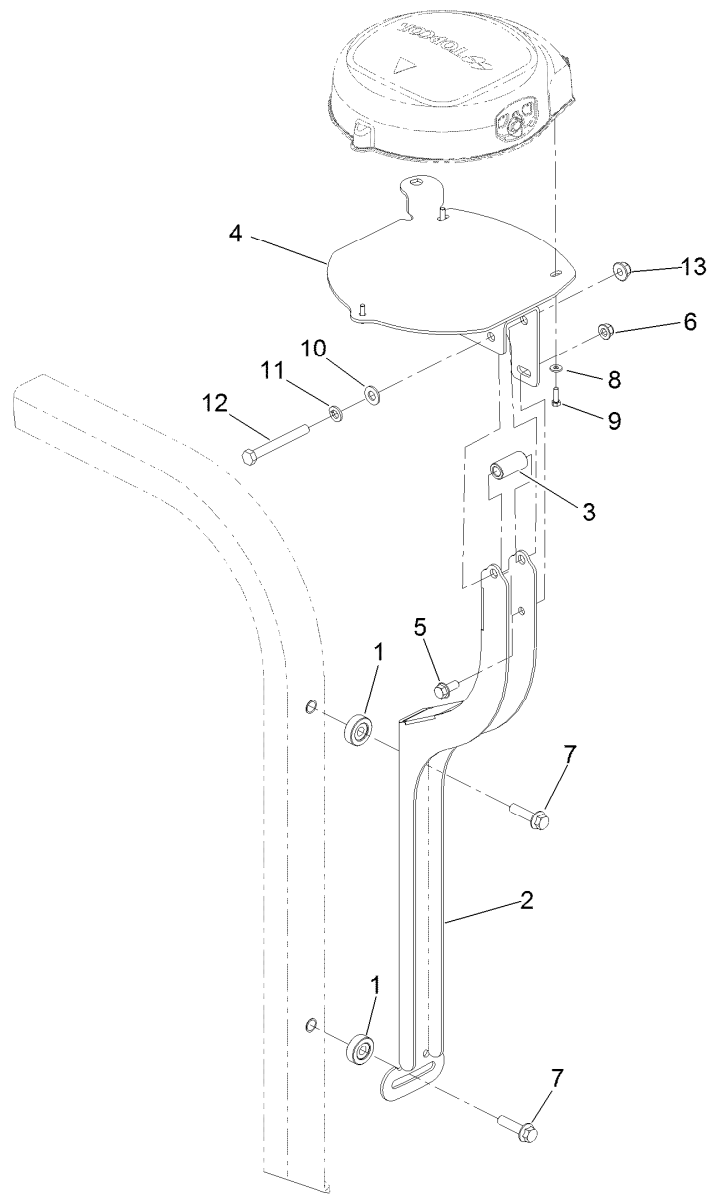
# Contents

Monitor Mount Assembly.....	4
Receiver Mount Assembly .....	5
Hose Assembly.....	6
GPS Valve Mount and Hose Assembly.....	7
GPS Valve Mount Assembly.....	8
Section Valve Manifold Assembly .....	9
On/Off Manifold Valve Kit No. 127-9803.....	10
On/Off Actuator Kit No. 131-3723 .....	11
Bypass Valve Assembly No. 127-9805.....	12
Center Boom Assembly.....	13
Double Turret Body Assembly No. 108-3727 .....	14
Electrical Assembly .....	15



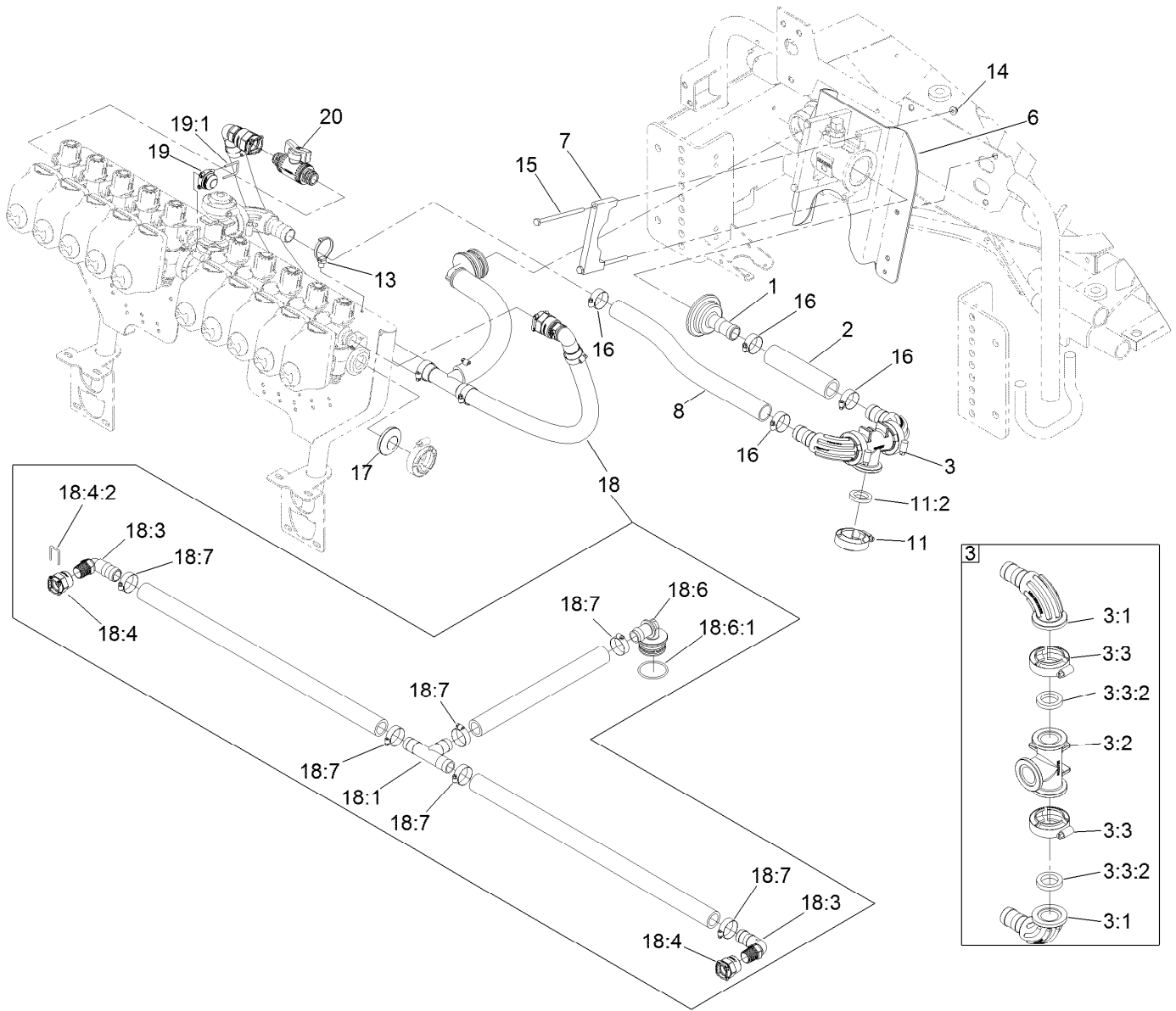
## Monitor Mount Assembly

<b>Ref.</b>	<b>Part Number</b>	<b>Qty.</b>	<b>Description</b>
1	133-2844-03	1	Mount-Monitor
2	60-9350	2	U-Bolt
3	3234-5	4	Screw-HHF
4	104-8300	8	Nut-Flange, NI
5	33103-012	3	Screw-HHF
6	120-4654	2	Screw-HHF
7	32128-14	2	Nut-HF
8	99-7420	1	Plug-Hole
9	117-2382	14	Plug-Plastic



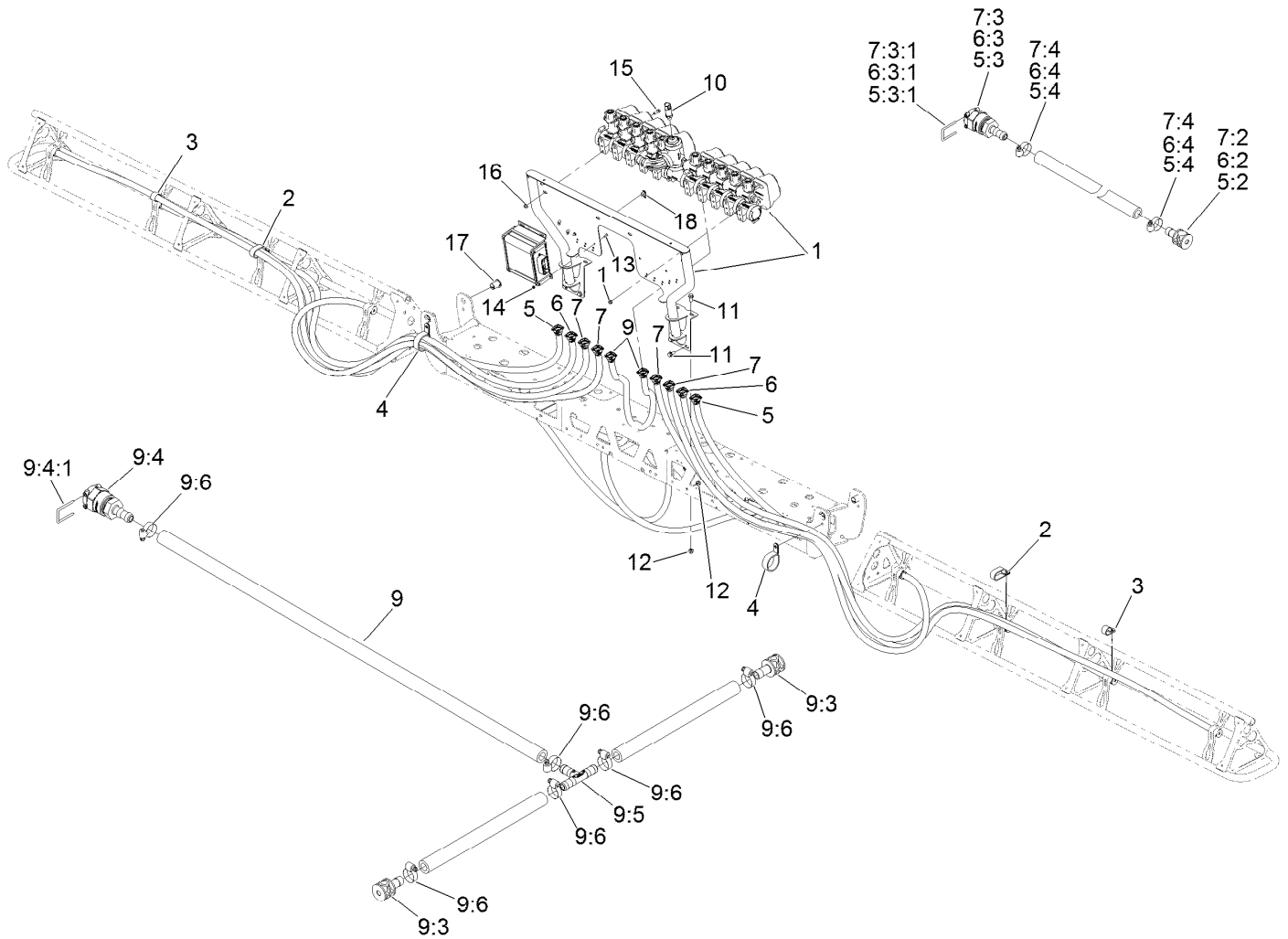
## Receiver Mount Assembly

Ref.	Part Number	Qty.	Description
1	133-2896	2	Spacer-Standoff
2	133-2891-03	1	Mount-Receiver
3	110-3726	1	Spacer
4	133-2895-03	1	Plate-Receiver
5	3234-47	1	Screw-HHF
6	104-8300	1	Nut-Flange, NI
7	114-4681	2	Screw-HHF
8	3256-14	3	Washer-Flat
9	60-6910	3	Screw-HH
10	3256-24	1	Washer-Flat
11	3253-21	1	Washer-Lock
12	323-20	1	Screw-HH
13	104-8301	1	Nut-Flange, NI



## Hose Assembly

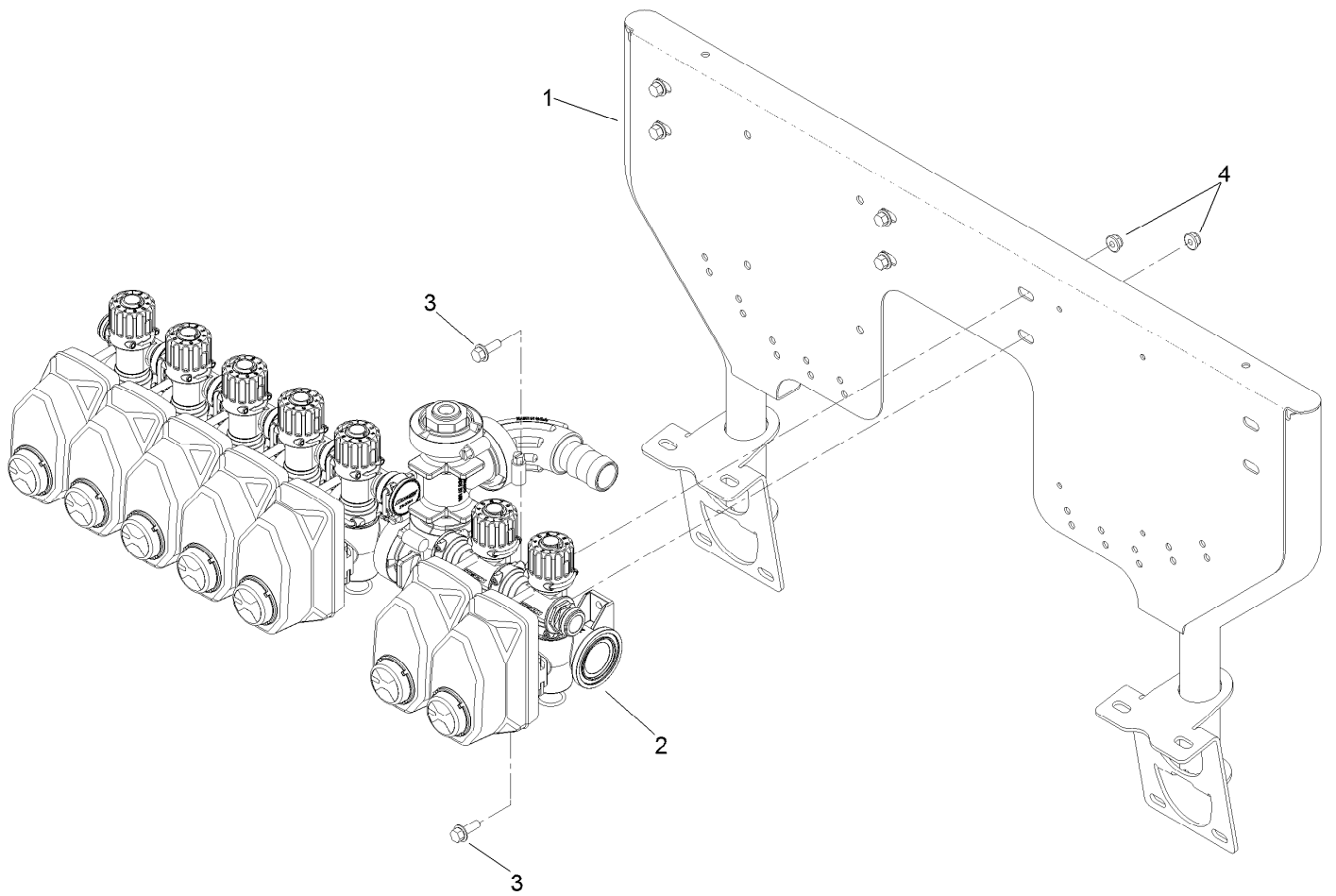
Ref.	Part Number	Qty.	Description	Ref.	Part Number	Qty.	Description
1	107-8704	1	Hosebarb	15	321-38	4	Screw-HH
2	133-2774	1	Hose-Supply	16	2412-34	4	Clamp-Hose
3	133-2849	1	Manifold-Connection ASM	17	127-9815	1	Fitting-Cap
3:1	131-0241	2	Fitting-Elbow, Sweep	18	136-0467	1	Hose Assembly
3:2	127-9834	1	Fitting-Tee	18:1	117-7866	1	Tee-Hosebarb
3:3	127-9829	2	Clamp/Gasket Kit	18:3	131-7257	2	Fitting
3:3:2	127-1145	1	Gasket-Flange	18:4	131-0261	2	Fitting-Straight
6	133-2818-03	1	Mount-Flowmeter	18:4:2	133-0398	1	Pin-Fork
7	132-7605	4	Clamp-Flowmeter	18:6	106-4933	1	Hosebarb ASM
8	132-4311	1	Hose-Agitation	18:6:1	100-8637	1	O-Ring
11	127-9829	1	Clamp/Gasket Kit	18:7	2412-34	6	Clamp-Hose
11:2	127-1145	1	Gasket-Flange	19	127-9811	1	Fitting-Cap, Female
13	32180-030	1	Clip-Tie	19:1	133-0398	1	Pin-Fork
14	104-7201	4	Nut-Flange, NI	20	131-5838	1	Shutoff Bypass Valve ASM



## GPS Valve Mount and Hose Assembly

Ref.	Part Number	Qty.	Description	Ref.	Part Number	Qty.	Description
1		1	GPS Valve Mount ASM ●	7:3:1	133-0398	1	Pin-Fork
2	2412-137	2	Clamp-R, Double	7:4	2412-36	2	Clamp-Hose
3	2412-39	2	R-Clamp	9	131-7292	2	Hose Nozzle ASM
4	2412-107	2	Clamp-R	9:3	130-7265	2	Shank-Nozzle, Single
5	131-7288	2	Hose Nozzle ASM	9:4	132-4260	1	Fitting ASM
5:2	130-7265	1	Shank-Nozzle, Single	9:4:1	133-0398	1	Pin-Fork
5:3	132-4260	1	Fitting ASM	9:5	131-3736	1	Fitting-Tee, Barb
5:3:1	133-0398	1	Pin-Fork	9:6	2412-36	6	Clamp-Hose
5:4	2412-36	2	Clamp-Hose	10	130-8202	1	Transducer-Pressure
6	131-7289	2	Hose Nozzle ASM	11	3234-47	8	Screw-HHF
6:2	130-7265	1	Shank-Nozzle, Single	12	104-8300	8	Nut-Flange, NI
6:3	132-4260	1	Fitting ASM	13	60-6500	3	Screw-HH
6:3:1	133-0398	1	Pin-Fork	14	127-2018	3	Nut-HHF
6:4	2412-36	2	Clamp-Hose	15	3234-4	2	Screw-HHF
7	131-7290	4	Hose Nozzle ASM	16	104-7201	2	Nut-Flange, NI
7:2	130-7265	1	Shank-Nozzle, Single	17	100-8541	4	Bushing-A Arm
7:3	132-4260	1	Fitting ASM	18	32180-161	3	Clip-Connector

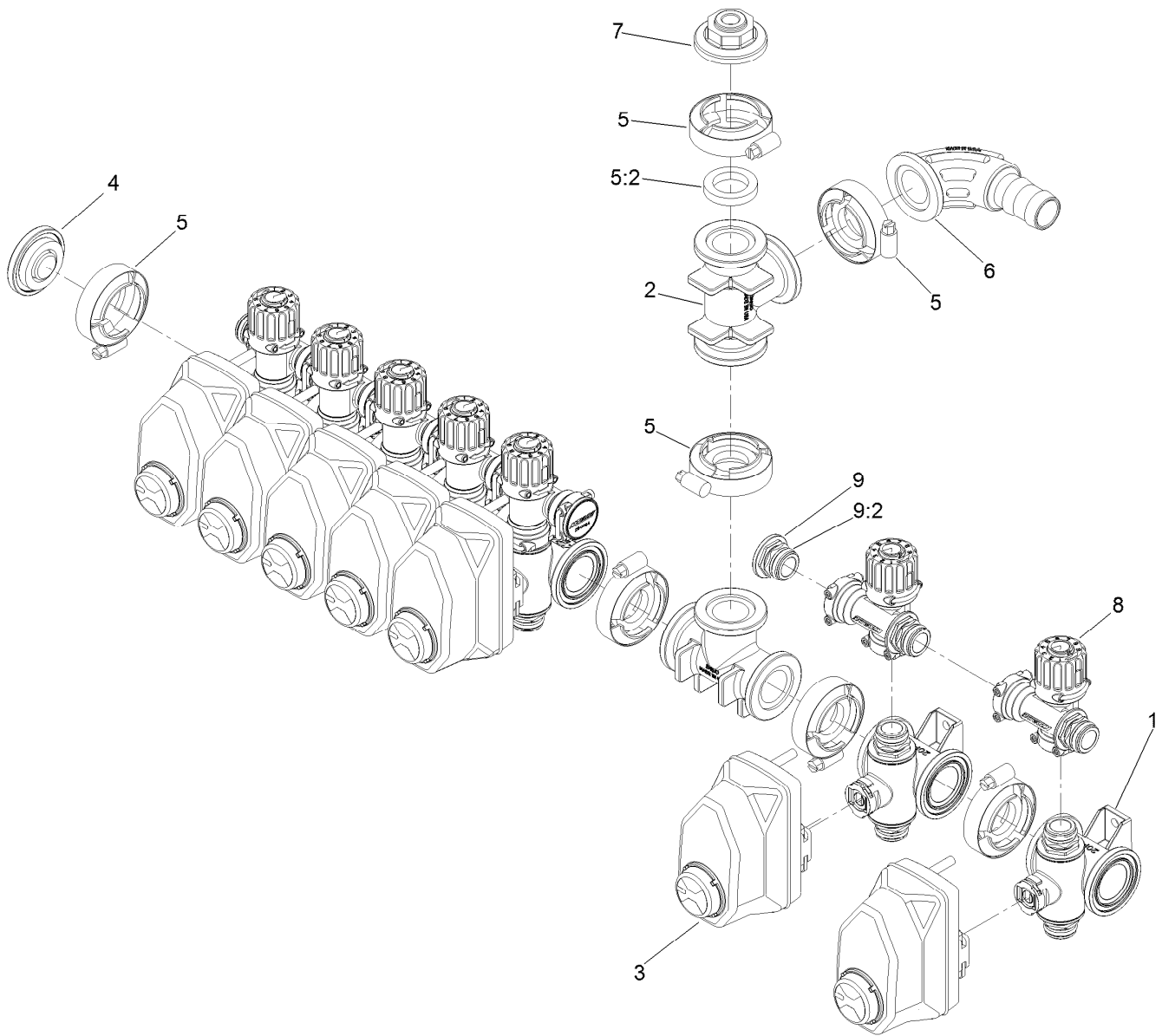
● Not serviced separately



## GPS Valve Mount Assembly

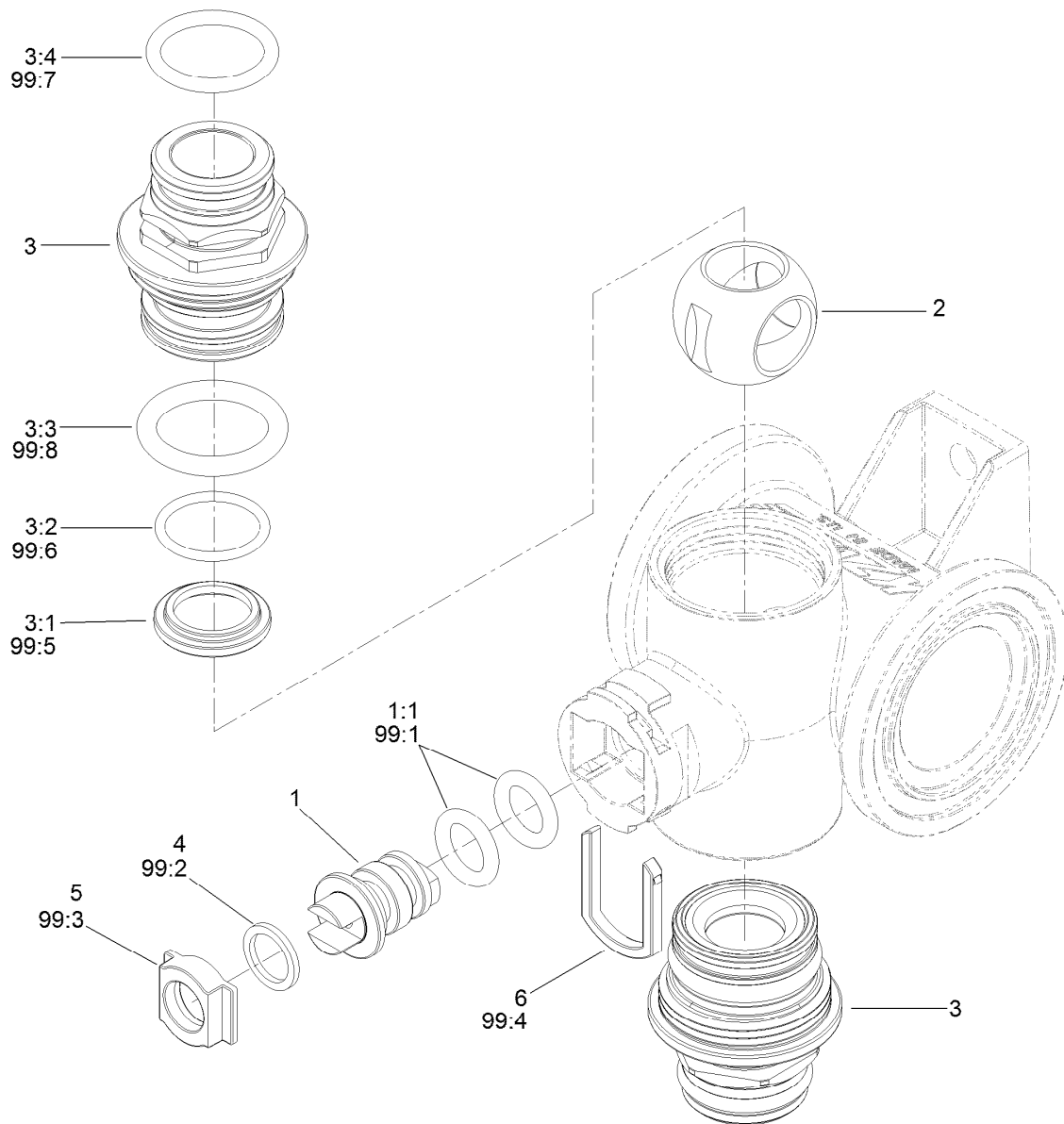
<i>Ref.</i>	<i>Part Number</i>	<i>Qty.</i>	<i>Description</i>
1	131-3753-03	1	Mount-Valve, GPS
2		1	Manifold-Valves, Sections ●
3	3234-4	6	Screw-HHF
4	104-7201	6	Nut-Flange, NI

● Not serviced separately



## Section Valve Manifold Assembly

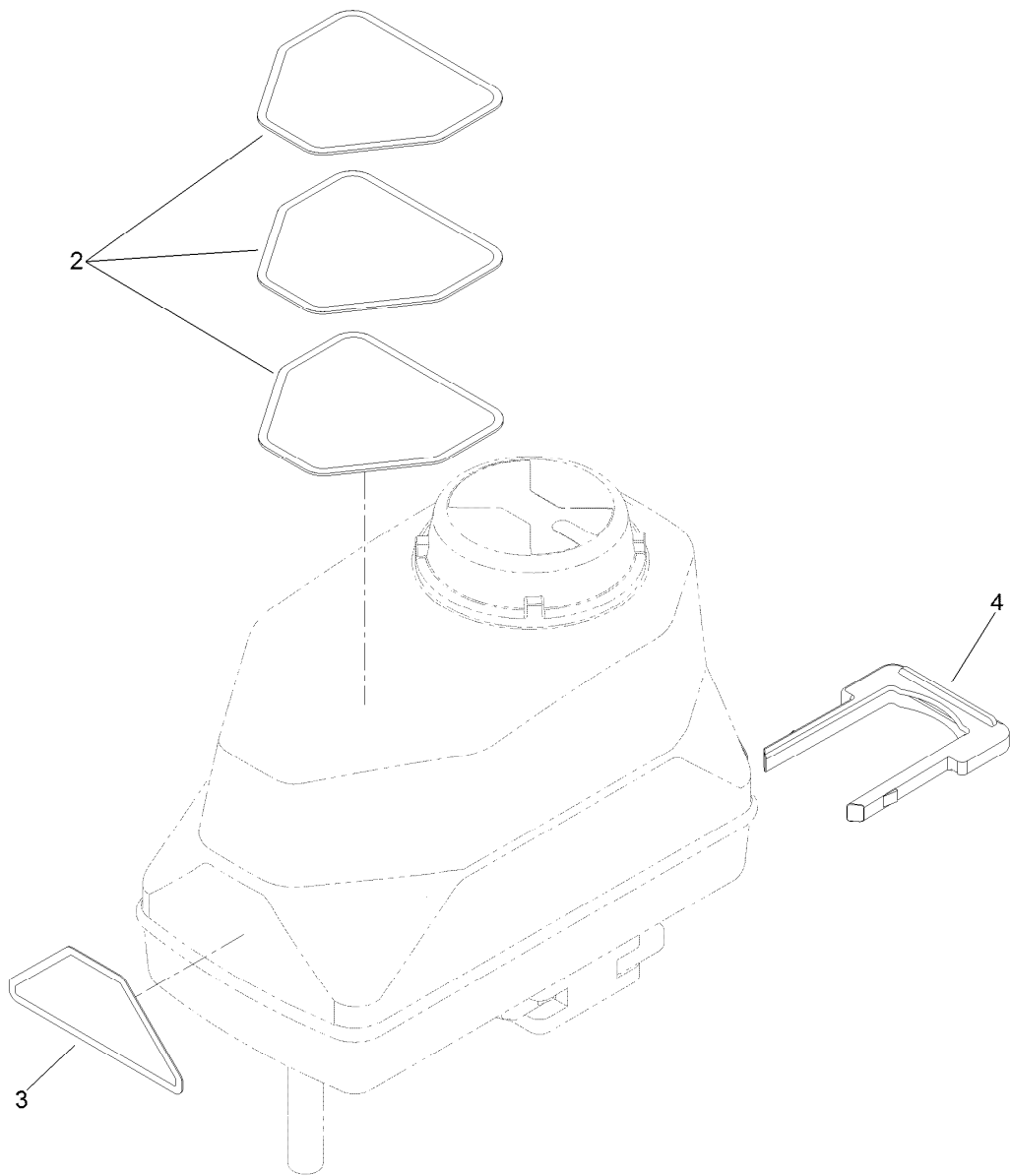
<i>Ref.</i>	<i>Part Number</i>	<i>Qty.</i>	<i>Description</i>
1	127-9803	7	On/Off Manifold Valve Kit
2	127-9834	2	Fitting-Tee
3	131-3723	7	Actuator On/Off Kit
4	127-9815	1	Fitting-Cap
5	127-9829	11	Clamp/Gasket Kit
5:2	127-1145	1	Gasket-Flange
6	131-0241	1	Fitting-Elbow, Sweep
7	127-1185	1	Fitting-Cap, Port
8	127-9805	7	Bypass Valve ASM
9	127-9810	2	Male Cap Fitting Kit
9:2	127-1187	1	O-Ring, Endcap



## On/Off Manifold Valve Kit No. 127-9803

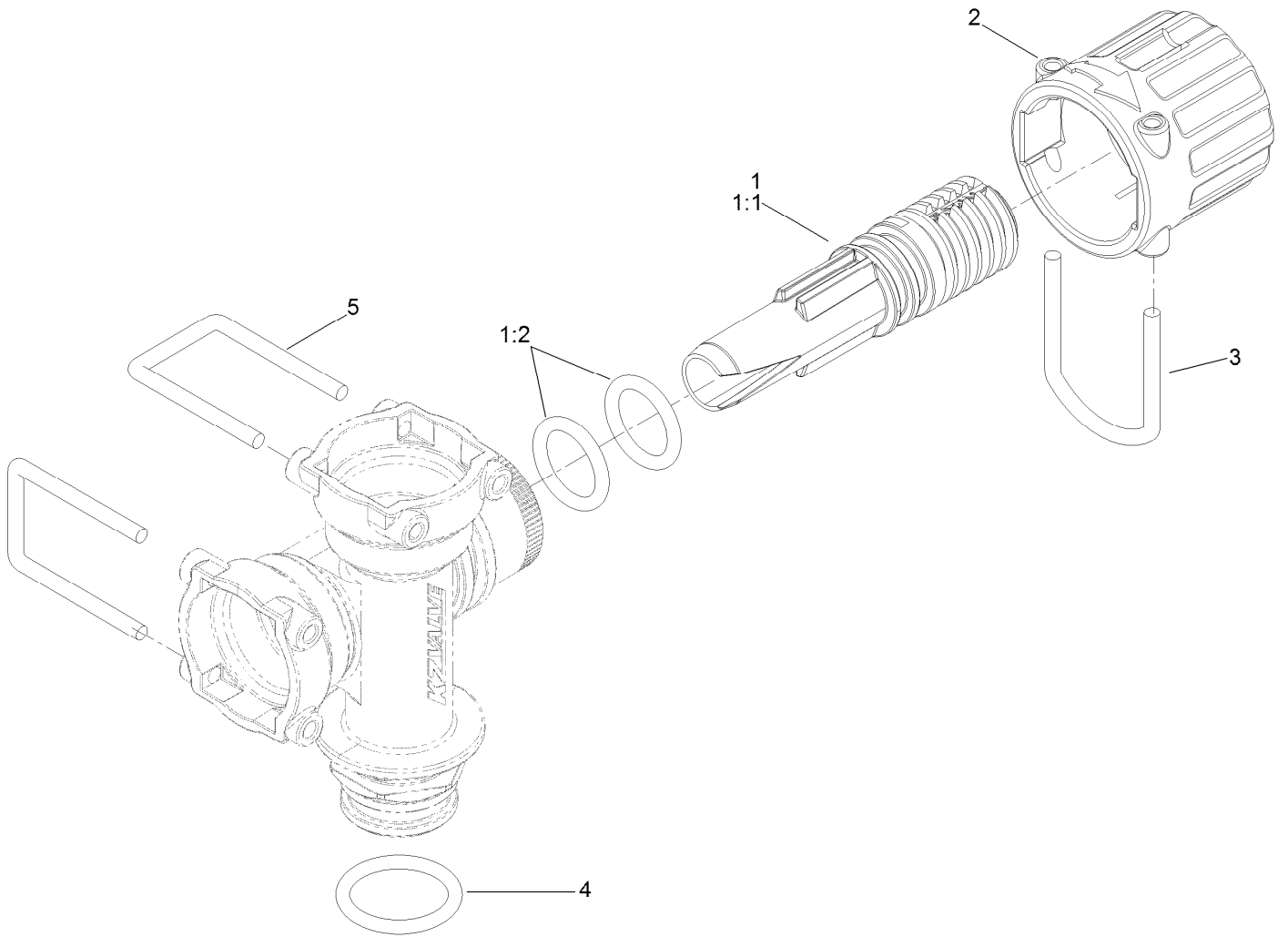
<i>Ref.</i>	<i>Part Number</i>	<i>Qty.</i>	<i>Description</i>	<i>Ref.</i>	<i>Part Number</i>	<i>Qty.</i>	<i>Description</i>
1	130-8248	1	Valve Stem Kit	6	127-1190	1	Fork-Stem, Valve
1:1	127-1197	2	O-Ring-Stem	99	130-7304	1	Valve Repair Kit ●
2	127-1194	1	Ball-Valve, 3Way	99:1	127-1197	2	O-Ring-Stem
3	130-7317	2	Endcap Kit	99:2	127-1196	2	Washer-Stem, Valve
3:1	127-1192	1	Seat-Ball	99:3	127-1195	1	Seat-Stem, Valve
3:2	127-1188	1	O-Ring, Seat (Ball)	99:4	127-1190	1	Fork-Stem, Valve
3:3	127-1189	1	O-Ring, Endcap	99:5	127-1192	2	Seat-Ball
3:4	127-1187	1	O-Ring, Endcap	99:6	127-1188	2	O-Ring, Seat (Ball)
4	127-1196	1	Washer-Stem, Valve	99:7	127-1187	2	O-Ring, Endcap
5	127-1195	1	Seat-Stem, Valve	99:8	127-1189	2	O-Ring, Endcap

● Not illustrated



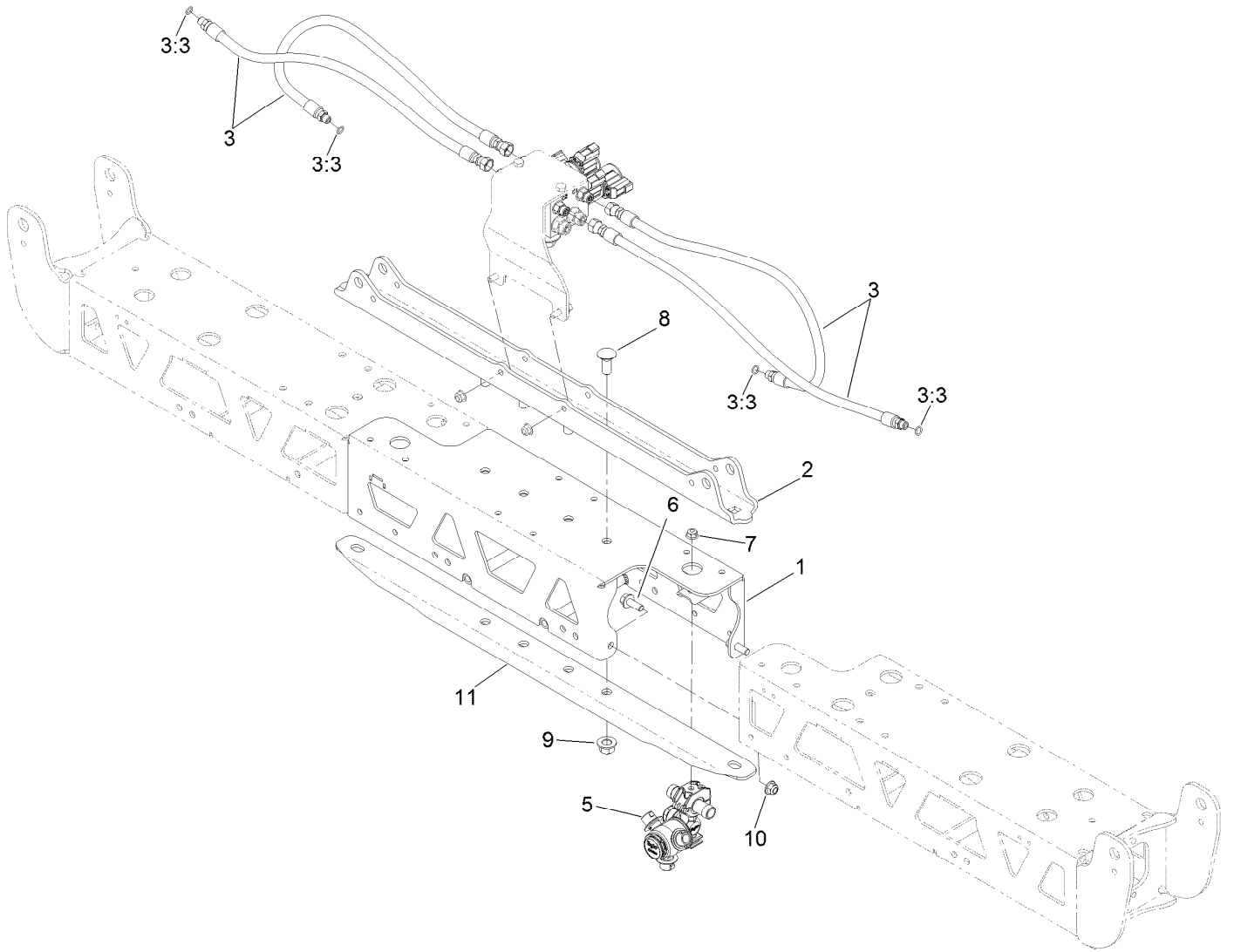
## On/Off Actuator Kit No. 131-3723

<i>Ref.</i>	<i>Part Number</i>	<i>Qty.</i>	<i>Description</i>
2	127-6979	1	Decal-Valve, Agitation
2	127-6981	1	Decal-Valve, On/Off
2	127-6982	1	Decal-Valve, Master Boom
3	127-6976	1	Decal-Valve, Bypass Adjust
4	130-7301	1	Hairpin-Actuator



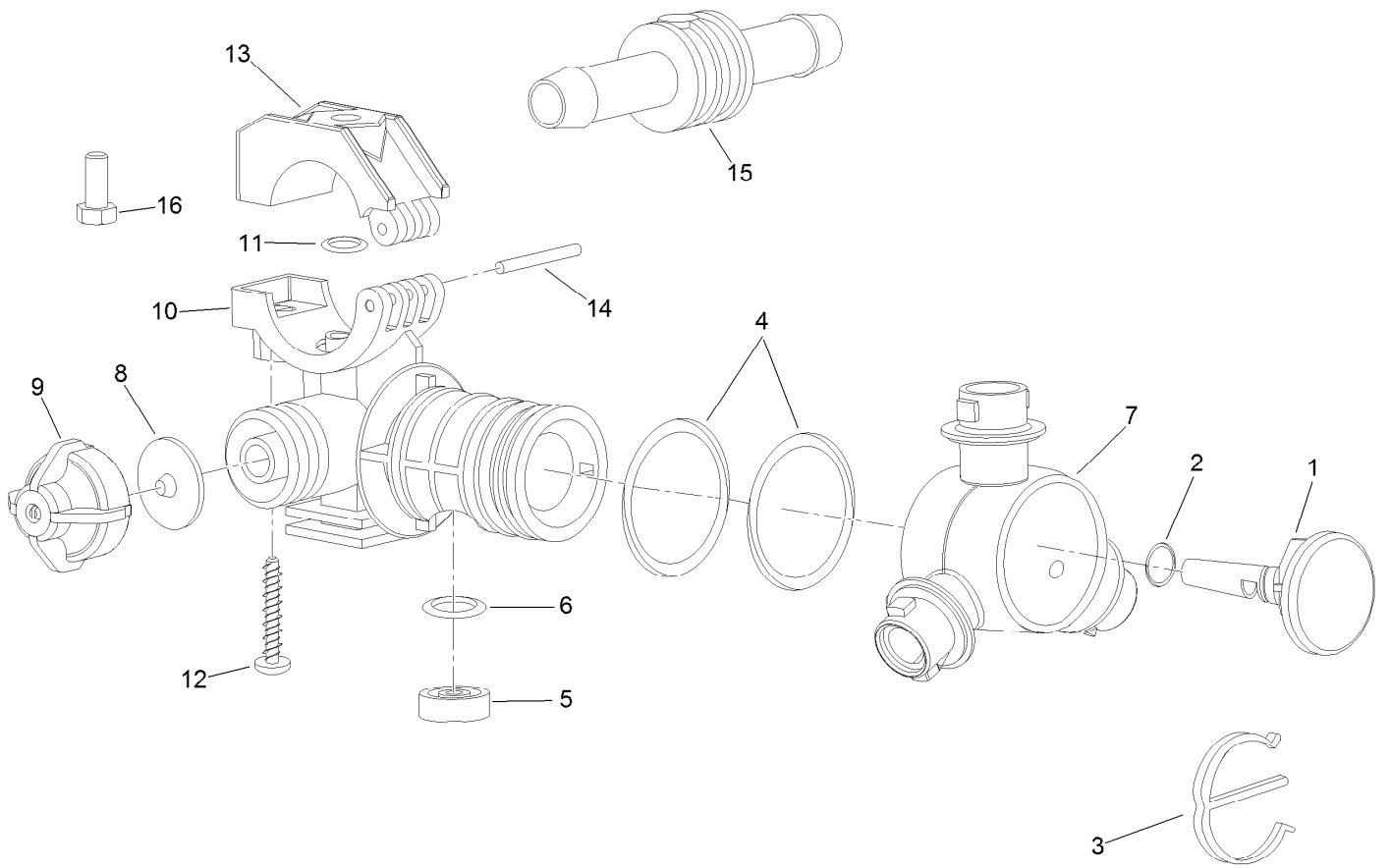
## Bypass Valve Assembly No. 127-9805

<i>Ref.</i>	<i>Part Number</i>	<i>Qty.</i>	<i>Description</i>
1	131-0298	1	Bypass Needle Kit
1:1	127-1182	1	Needle-Bypass
1:2	127-1181	2	Oring-Bypass Needle
2	127-1180	1	Knob-Bypass
3	127-1179	1	Fork-Bypass Knob
4	127-1187	1	O-Ring, Endcap
5	133-0398	2	Pin-Fork



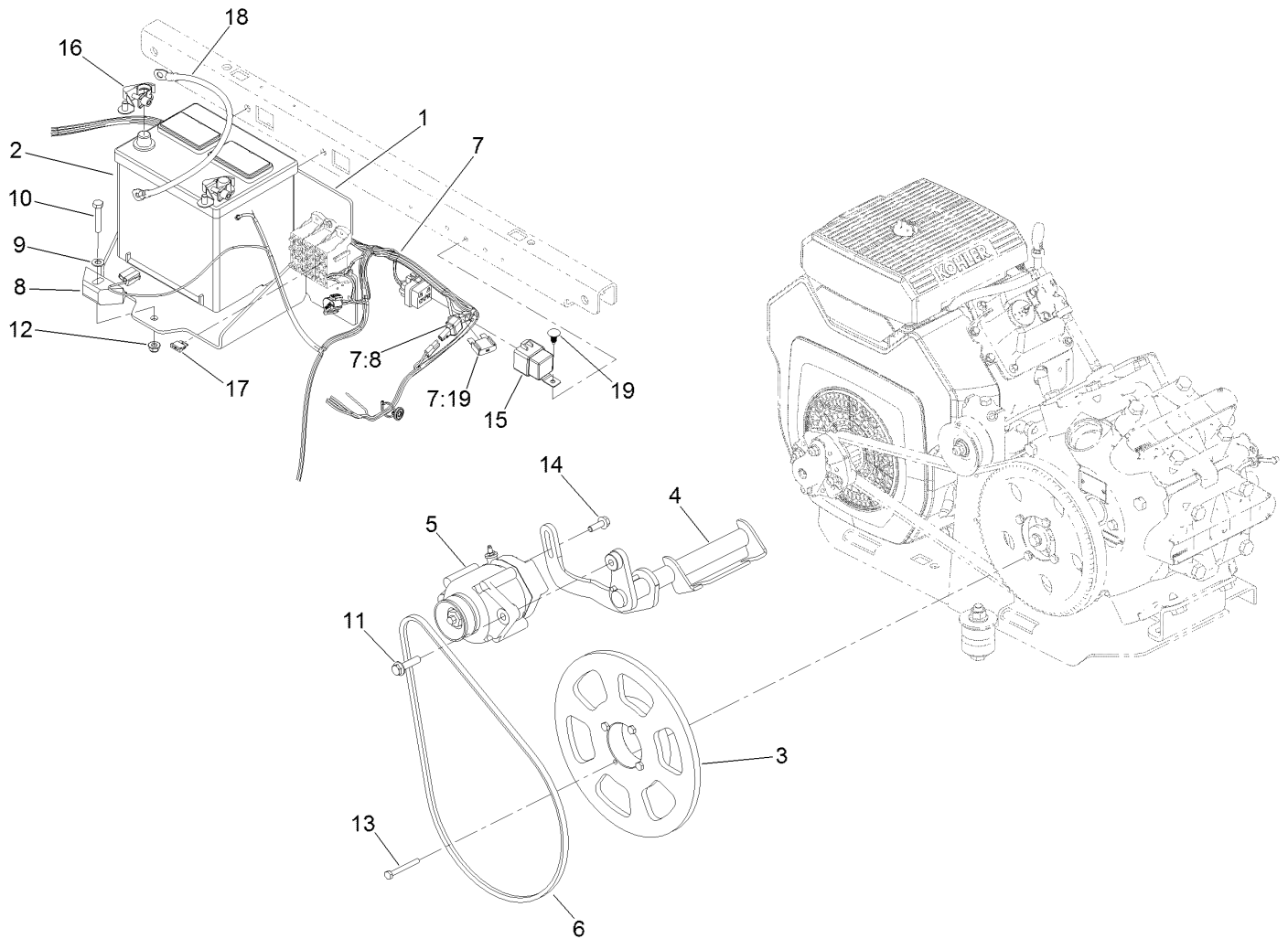
## Center Boom Assembly

<i>Ref.</i>	<i>Part Number</i>	<i>Qty.</i>	<i>Description</i>
1	133-0412-03	1	Center-Center, Boom
2	131-0275-03	1	Plate-Mount
3	131-0276	4	Hose ASM
3:3	237-78	1	O-Ring
5	108-3727	1	Double Turret Body ASM
6	3234-42	4	Screw-HHF
7	104-8300	1	Nut-Flange, NI
8	110-5067	4	Screw-CARR
9	99-5107	4	Nut-Lock
10	104-8301	4	Nut-Flange, NI
11	131-0285-03	1	Stiffener-Channel



## Double Turret Body Assembly No. 108-3727

<i>Ref.</i>	<i>Part Number</i>	<i>Qty.</i>	<i>Description</i>	<i>Ref.</i>	<i>Part Number</i>	<i>Qty.</i>	<i>Description</i>
1	95-9200	1	Plug	9	95-9193	1	Cap-Diaphragm
2	95-9198	1	O-Ring	10	95-9192	1	Body-Split Eyelet
3	95-9197	1	E-Clip	11	95-9191	1	O-Ring
4	95-9199	2	O-Ring	12	99-0811	1	Screw-Clamp
5	108-3264	1	Seal-Viton	13	99-0812	1	Clamp-Upper
6	108-3265	1	O-Ring-Viton	14	99-0814	1	Pin-Pivot
7	95-9196	1	Turret	15	95-9202	1	Shank-Hose
8	41003	1	Diaphragm	16	322-3	1	Screw-HH



## Electrical Assembly

<i>Ref.</i>	<i>Part Number</i>	<i>Qty.</i>	<i>Description</i>	<i>Ref.</i>	<i>Part Number</i>	<i>Qty.</i>	<i>Description</i>
1	136-2264-03	1	Bracket-Battery	10	322-9	1	Screw-HH
2	106-5187	1	Battery-Dry	11	3234-18	1	Screw-HHF
3	133-2804	1	Pulley	12	104-8300	1	Nut-Flange, NI
4	132-7634-03	1	Mount-Alternator	13	100-5858	4	Screw-HH
5	133-2851	1	Alternator	14	33104-025	1	Screw-HHF
6	133-2763	1	Belt-Alternator	15	99-7430	1	Relay
7	122-0794	1	Harness-Wire	16	119-9674	1	Terminal-Clamp, Quick
7:8	100-4918	1	Diode	17	109355	1	Fuse-Blade, 15 Amp
7:19	94-8002	1	Fuse-Blade, 50 Amp	18	122-0838	1	Cable-Battery, Positive
8	66-2490	1	Retainer-Battery	19	117-2382	1	Plug-Plastic
9	3256-23	1	Washer-Flat				



**Count on it.**