



**Z-Master OFZ**  
**48" Rear Discharge Recycler Deck**  
Model No. 78477 – 890523 & Up

---

**Parts Catalog**

## ORDERING REPLACEMENT PARTS

To order replacement parts, please supply: the part number, the quantity, and the description of each part desired.

## Contents

Description	Page	Description	Page
Carrier Frame .....	1	Gear Box .....	4
Gear Box And Covers .....	2	<b>Note:</b>	
Deck Asm And Blades .....	3		

## Accessories

Description	Model / Parts No.	Description	Model / Parts No.
..			

## Part Description Abbreviations

Part descriptions in this catalog may include the following abbreviations.

Abbreviation	Meaning	Abbreviation	Meaning
AR .....	as required	HWHTF .....	hex washer head thread forming
ASM .....	assembly	INC .....	incorporated
CARR .....	carriage	LH .....	left hand
DEG .....	degrees	PH .....	pan head
FH .....	flat head	PPH .....	Phillips pan head
GA .....	gauge	PTO .....	power take off
HF .....	hex flange	RH .....	right hand
HFW .....	hex flange washer	SFH .....	slotted fillister head
HH .....	hex head	SH .....	square head
HHF .....	hex head flange	SHWH .....	slotted hex washer head
HHST .....	hex head self tapping	SPH .....	slotted pan head
HJ .....	hex jam	STD .....	standard
HOC .....	height-of-cut	TAP .....	self tapping
HS .....	hex socket	TH .....	truss head
HSBH .....	hex socket button head	TTH .....	Torx truss head
HSFH .....	hex socket flat head	WH .....	wing head
HSH .....	hex socket head		
HWH .....	hex washer head		

## Important Format Explanations

This catalog uses special formats to convey information in illustrations and parts lists. Specifically, one format is used in conjunction with service assemblies and another with quantities associated with reference numbers.

### Service Assemblies

Parts within service assemblies have reference numbers in the form X:Y. X is the reference number of the service assembly and Y is a sequential number unique to each part within the service assembly.

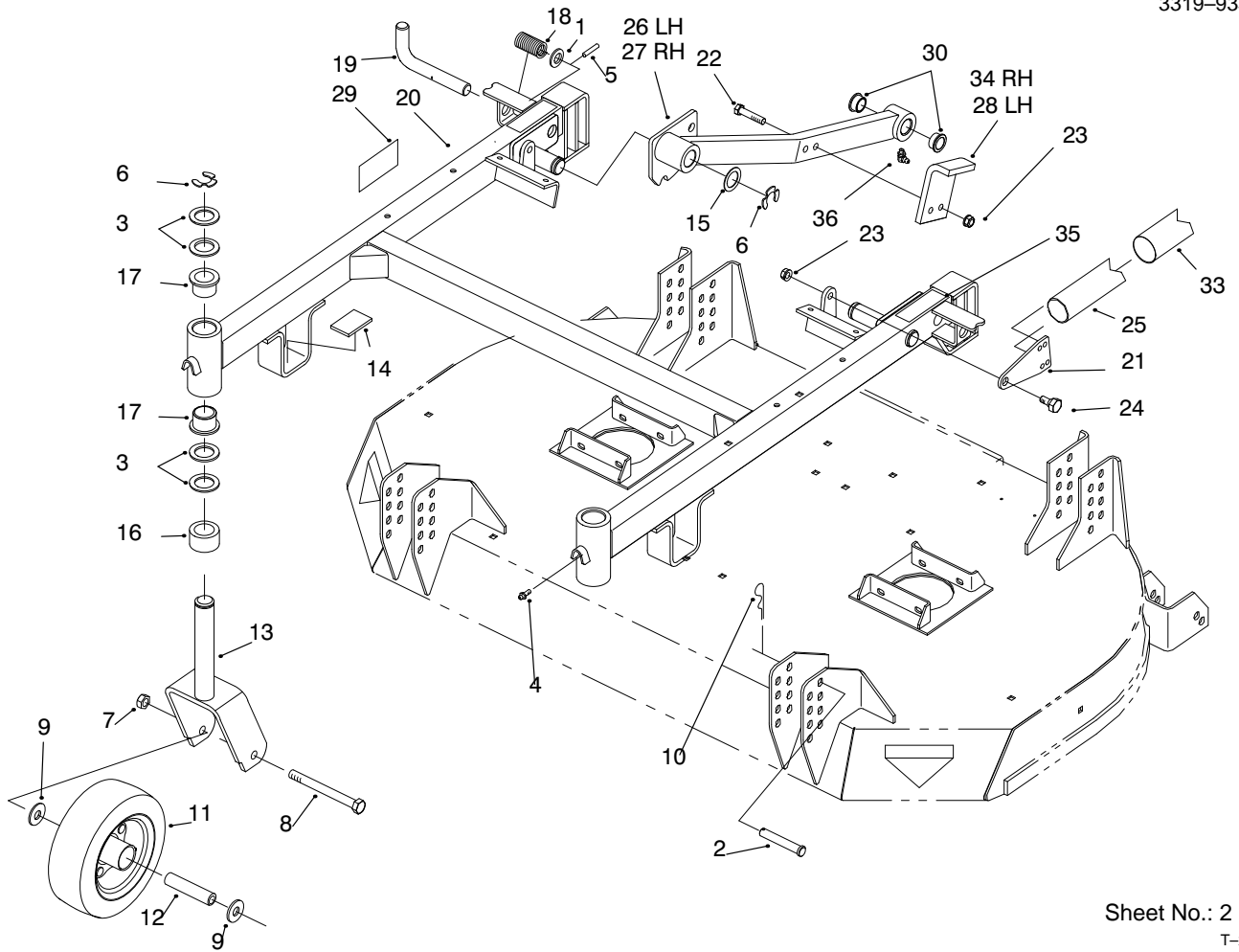
For example, a wheel assembly might be identified by reference number 6, the tire by 6:1, the valve by 6:2, and the wheel by 6:3. When you order the assembly identified by reference number 6, you receive all parts identified by reference numbers 6:1, 6:2, and 6:3. However, you may also order any part individually.

Reference numbers of this type appear in part lists and as callouts in illustrations.

## Reference Numbers with Quantities

Illustrations may have a quantity in parentheses next to a reference number, in the form  $X (Y)$ .  $X$  is the reference number.  $Y$  in parentheses is the quantity of the part identified by the reference number.

For example, the illustration callout 4 (2) indicates that two parts are used in that instance.



Sheet No.: 2

T-xxxx

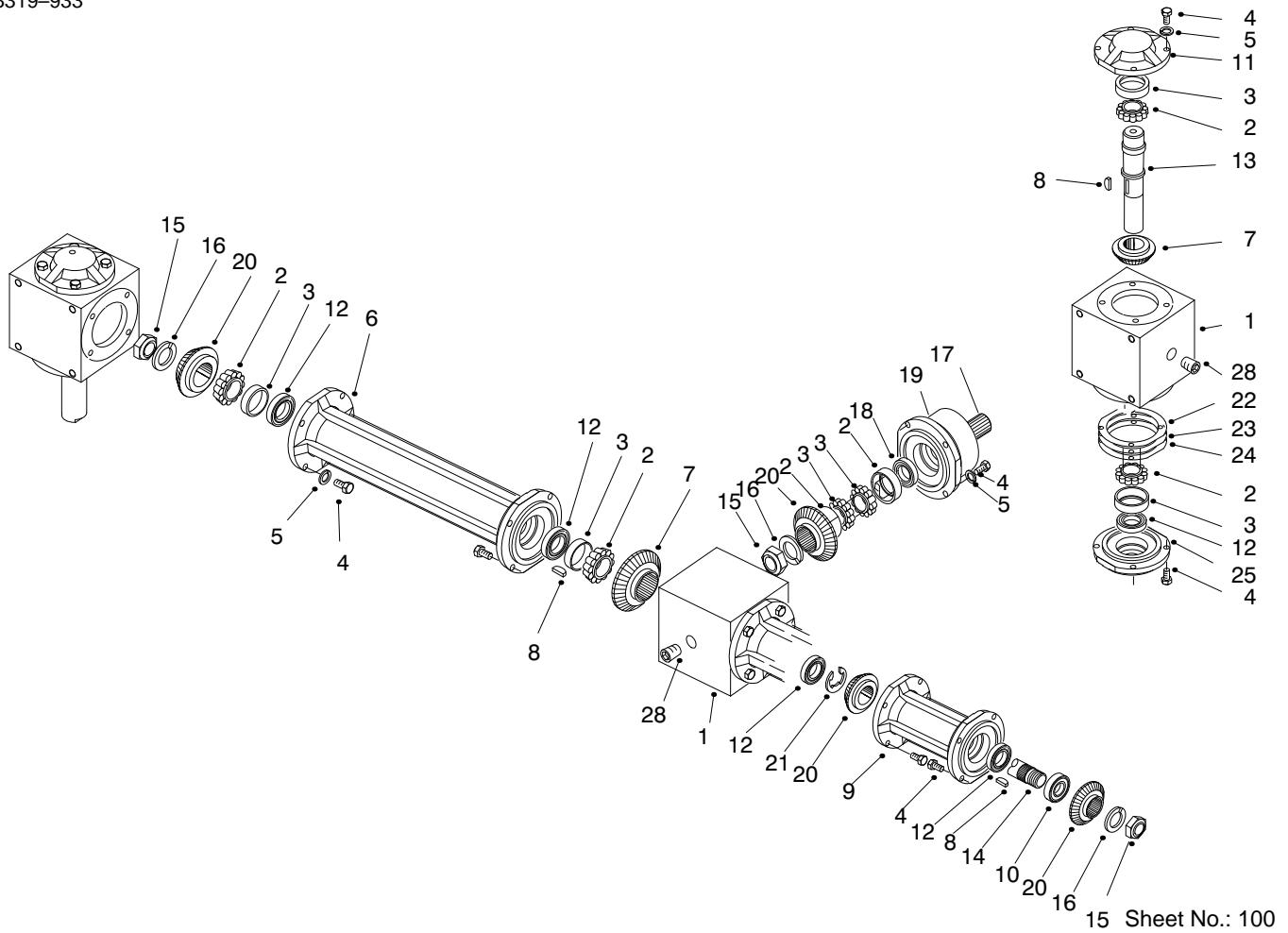
# Carrier Frame

Ref. No.	Part No.	Qty.	Description
1	9202254	2	Washer-Flat
2	283-55	4	Pin-Clevis
3	3-6781	8	Washer-Thrust
4	302-5	2	Fitting-Grease
5	32121-79	2	Roll Pin
6	32151-91	4	Ring-Retaining
7	32153-5	2	Nut-Lock
8	325-19	2	Screw-HH
9	3256-6	8	Washer-Flat
10	3290-355	4	Pin-Hair
11	98-2859	2	Wheel & Tire ASM
12	68-8980	2	Bushing-Spanner
13	98-2857	2	Castor Fork ASM
14	95-4303	2	Cushion-Rubber
15	9202514	2	Washer-Flat
16	93-1167	2	Spacer-Castor
17	94-1291	4	Bushing-Special
18	98-1339	2	Spring-Compression
19	98-1337	2	Pin-Pivot
20	95-4304	1	Frame-Carrier
21	94-4750	4	Plate-End
22	323-9	4	Screw-HH
23	3296-39	8	Nut-Lock
24	46-3380	4	Bolt-Shoulder
25	94-4664	2	Spring-Extension
26	98-7322	1	LH Push Arm ASM

Ref. No.	Part No.	Qty.	Description
27	98-7323	1	RH Push Arm ASM
28	94-9511	1	Stop-Pusharm
29	98-0816	1	Decal-H.o.c.
30	27-9080	4	Bushing
33	94-9550	2	Cover-Spring
34	94-9583	1	Stop-Pusharm
35	55-4300	2	Decal-Warning
36	302-60	2	Fitting-Lube 90°







15 Sheet No.: 100

## Gear Box

Ref. No.	Part No.	Qty.	Description
1	98-3321	3	Housing
2	98-1343	8	Bearing-Cone
3	62-3340	8	Bearing Cup
4	98-3324	54	Screw-HH
5	98-3325	54	Washer-Lock
6	98-3326	1	Connector-Hub
7	98-3327	3	Gear-RH
8	98-3328	3	Key
9	98-3329	1	Connector-Hub
10	98-3330	1	Bearing-Ball
11	98-3331	2	Cap-Blank
12	62-3400	6	Seal
13	98-3333	2	Shaft-Thru
14	98-3334	1	Shaft-Thru
15	98-3335	3	Nut-Lock
16	98-3336	3	Washer-Lock
17	98-3337	1	Hub-Shaft
18	98-3338	1	Seal
19	98-3339	1	Hub
20	98-3340	3	Pinion-LH
21	98-3341	1	Ring-Retaining
22	98-3342	1	Gasket-.015
23	98-3343	1	Gasket-.005
24	98-3344	1	Gasket-.003
25	98-3345	2	Cap-Thru
26	98-3346	1	I.d. Tag

Ref. No.	Part No.	Qty.	Description
27	98-3347	1	I.d. Tag Cover
28	62-3490	9	Pipe Plug (Solid)