



**Count on it.**

**Parts Catalog**

**E-CYCLER 20-inch Cordless  
Lawn Mower**

Model No. 20360—Serial No. 314000001 and Up



# Ordering Replacement Parts

To order replacement parts, please supply the part number, the quantity, and the description of each part desired.

## Understanding Reference Numbers

Each identified part in an illustration has a reference number. The reference number for a part also appears in the parts list, along with other information about the part.

This catalog uses two special reference number formats, one to indicate parts in a service assembly and another to indicate the quantity of a given part in an illustration.

## Service Assembly Reference Numbers

Parts in service assemblies have reference numbers in the form a:b. The a represents the reference number of the entire service assembly and the b represents a sequential number unique to each part within the service assembly.

For example, a wheel assembly might be identified by reference number 6, the tire by 6:1, the valve by 6:2, and the wheel by 6:3. When you order the assembly identified by reference number 6, you receive all parts identified by reference numbers 6:1, 6:2, and 6:3. However, you may also order any part individually. Reference numbers of this type appear in illustration and in parts lists.

## Reference Numbers Indicating Quantity

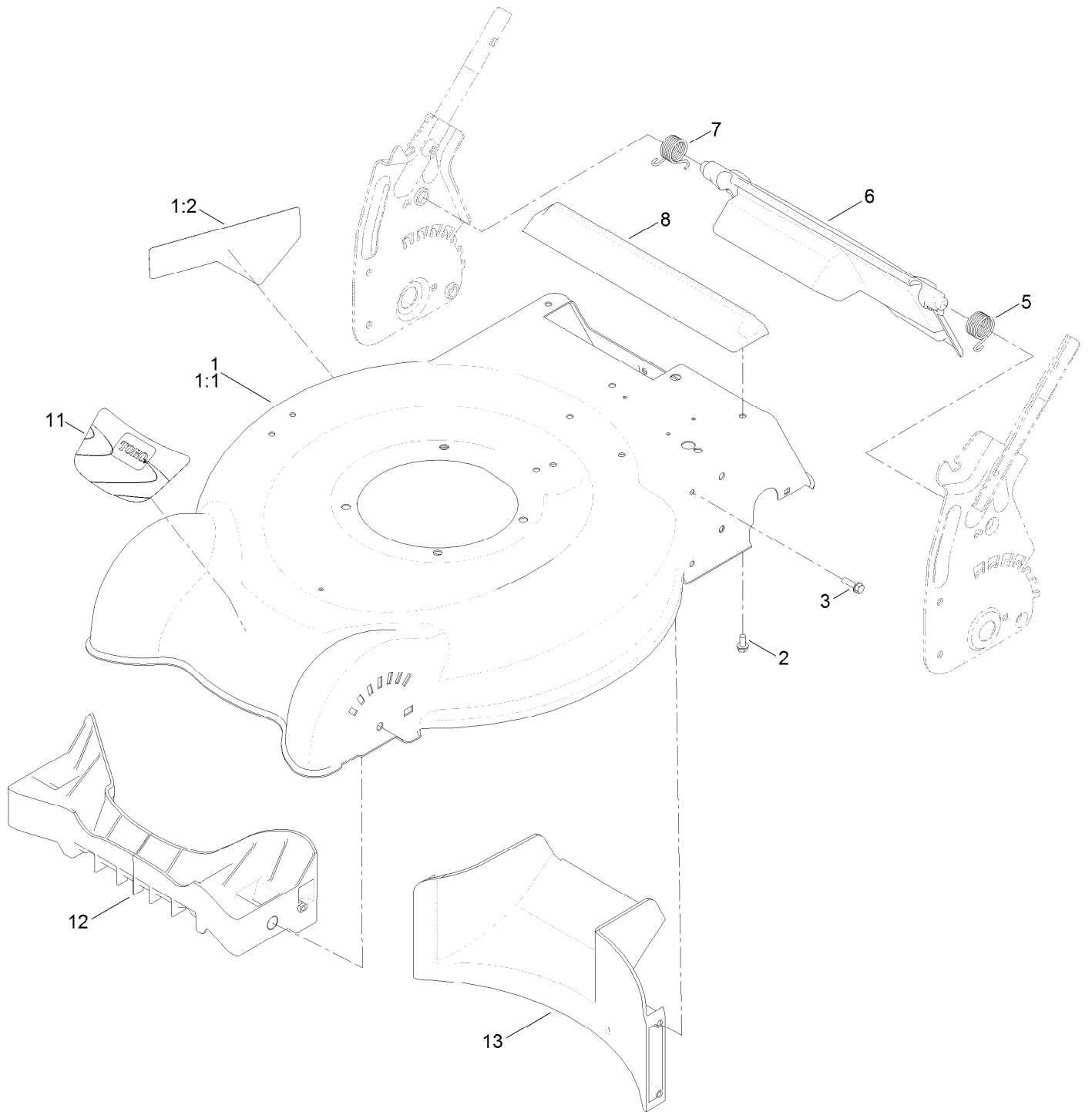
In an illustration, if a reference number indicates more than one part, the reference number has the form nX y. The n represents the quantity of the part, the X is the multiplication symbol, and the y represents the reference number.

For example, in an illustration, the reference number 2X 37 means that two of the parts identified by reference number 37 are indicated.

# Contents

Housing Assembly .....	4
Front Axle and Height-of-Cut Assembly .....	6
Rear Axle and Height-of-Cut Assembly .....	8
Shroud, 36 Volt Motor and Battery Assembly.....	10
Handle and Control Assembly .....	12
36 Volt Switch Assembly .....	14
Frame and Bag Assembly.....	15
Attachments and Accessories .....	16

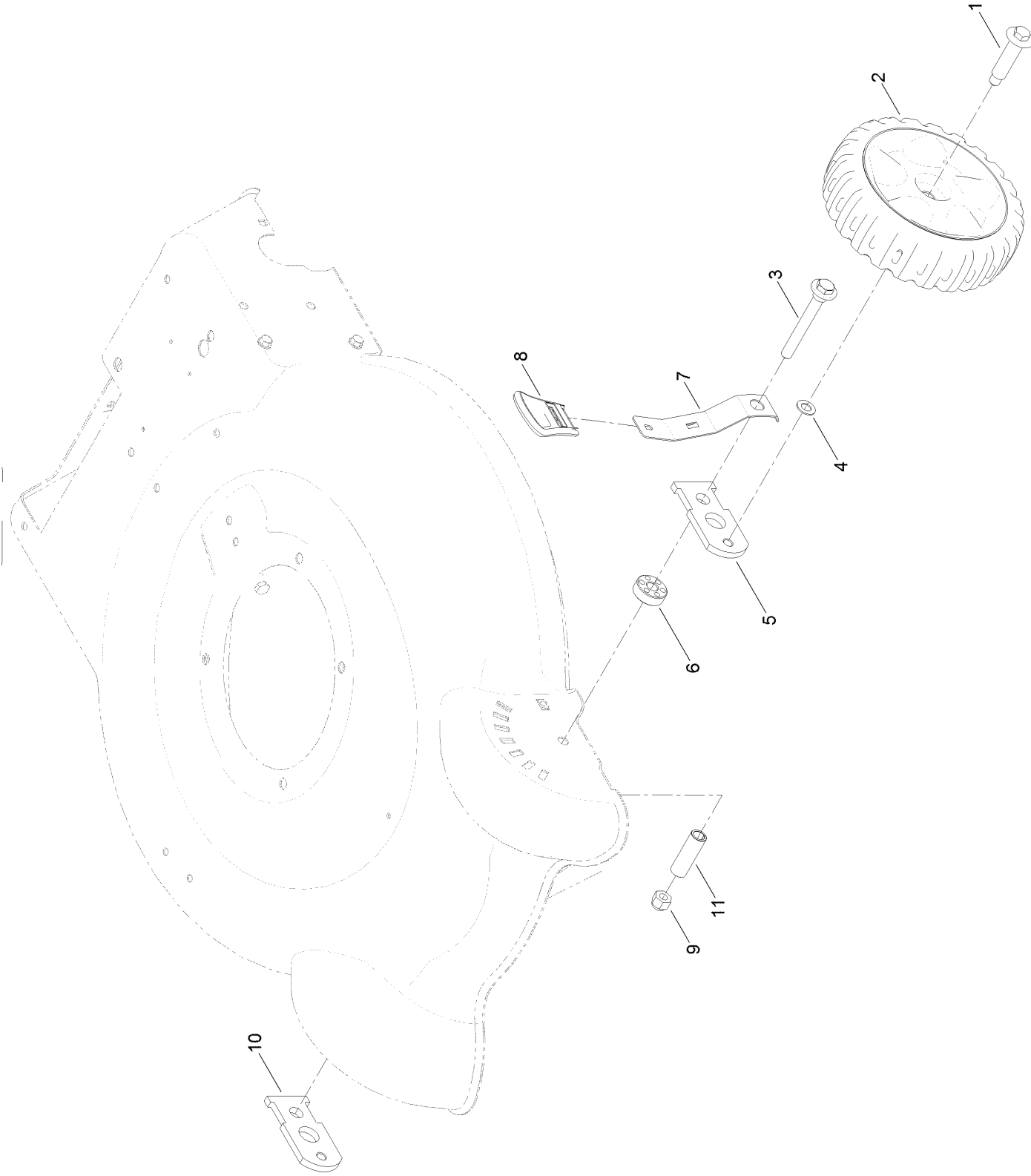
# Housing Assembly



## Housing Assembly (continued)

<i>Ref.</i>	<i>Part Number</i>	<i>Qty.</i>	<i>Description</i>	<i>Ref.</i>	<i>Part Number</i>	<i>Qty.</i>	<i>Description</i>
1	119-7033	1	Electric Housing ASM	6	119-7027	1	Deflector-Rear
1:1	119-3828-01	1	Deck-20 Inch	7	119-7016	1	Spring-Torsion, RH
1:2	119-7023	1	Decal-Danger	8	112-8845	1	Chute-Rear
2	46-8093	3	Screw-Plastite	11	117-5998	1	Decal-Battery
3	46-8091	5	Screw-HWH	12	119-7082	1	Baffle-Throw, Front
5	119-7015	1	Spring-Torsion, LH	13	112-8814	1	Baffle-Rear

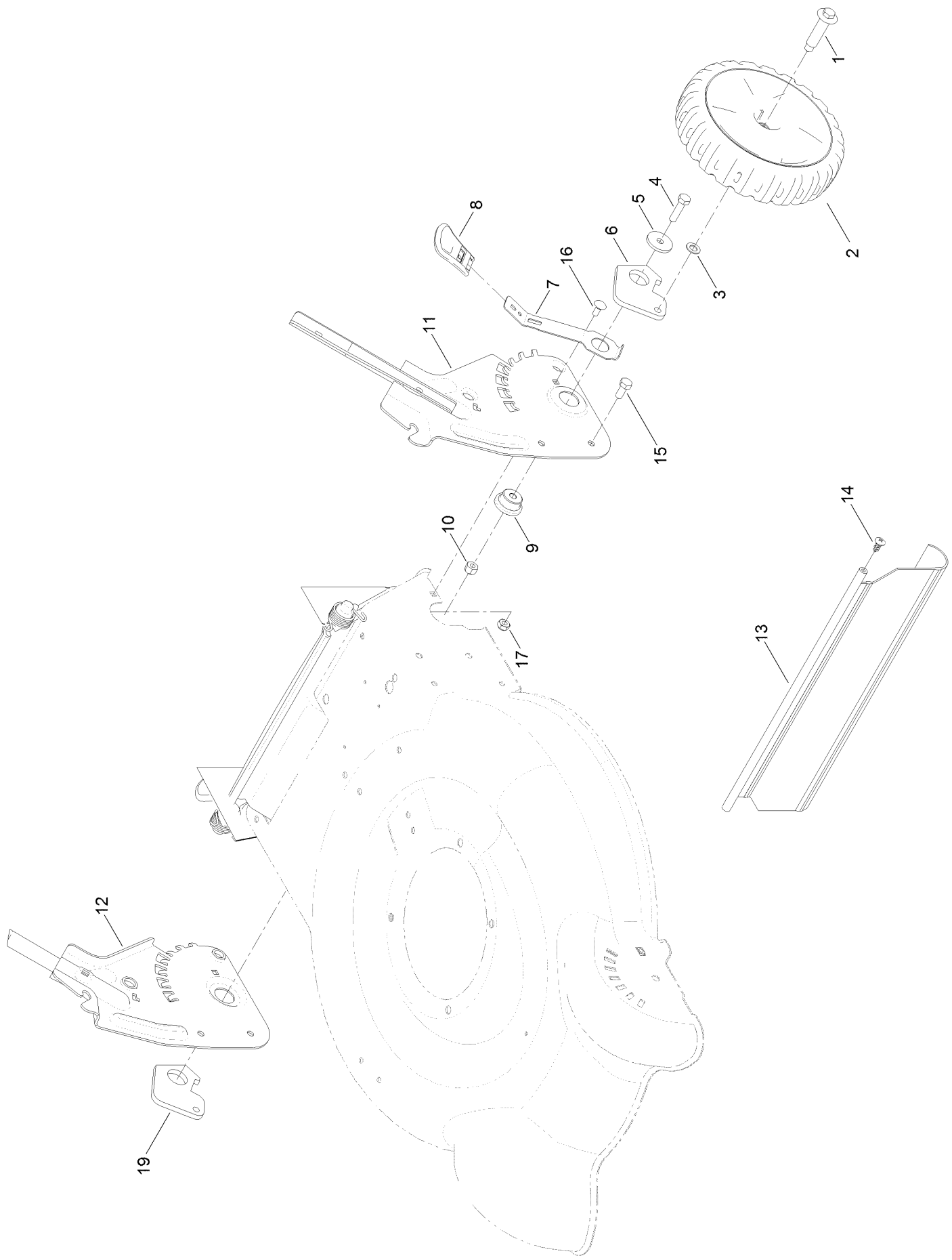
# Front Axle and Height-of-Cut Assembly



## Front Axle and Height-of-Cut Assembly (continued)

<i>Ref.</i>	<i>Part Number</i>	<i>Qty.</i>	<i>Description</i>	<i>Ref.</i>	<i>Part Number</i>	<i>Qty.</i>	<i>Description</i>
1	614650	2	Bolt-Shoulder	7	112-8828	2	Arm-Spring, Front
2	119-3777	2	7 Inch Wheel And Tire ASM	8	110-0549	2	Knob-HOC
3	117-5996	2	Bolt-Shoulder	9	3296-39	2	Nut-Lock, NI
4	40-1940	2	Washer	10	108-1044	1	Arm-Pivot, LH
5	107-3877	1	Arm-Pivot, RH	11	117-5992	2	Spacer-Baffle, Front
6	117-5997	2	Spacer-Arm, Pivot				

# Rear Axle and Height-of-Cut Assembly

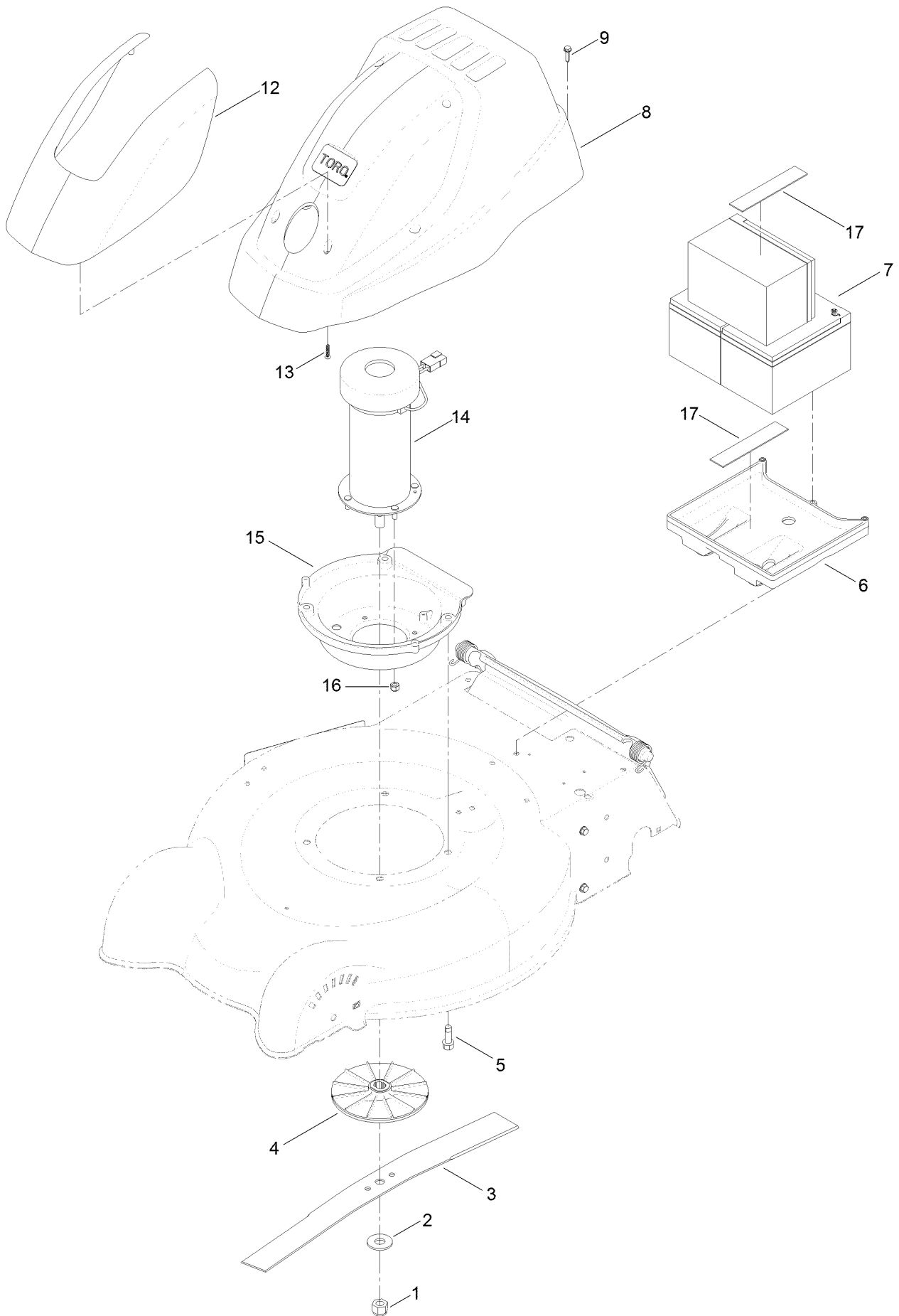




## Rear Axle and Height-of-Cut Assembly (continued)

<i>Ref.</i>	<i>Part Number</i>	<i>Qty.</i>	<i>Description</i>	<i>Ref.</i>	<i>Part Number</i>	<i>Qty.</i>	<i>Description</i>
1	614650	2	Bolt-Shoulder	10	3296-29	6	Nut-Lock, NI
2	117-5995	2	8 Inch Wheel And Tire ASM	11	119-3804-03	1	HOC-LH
3	40-1940	2	Washer	12	119-3805-03	1	HOC-RH
4	322-6	2	Screw-HH	13	120-7010	1	Shield-Trailing
5	105-3048	2	Washer-Flat	14	117-1092	2	Screw-PTH
6	105-1819	1	Arm-Pivot, Rear (LH)	15	322-3	4	Screw-HH
7	105-1809	2	Arm-Spring	16	3229-11	2	Screw-CARR
8	110-0549	2	Knob-HOC	17	3296-16	2	Nut-Lock, NI
9	105-1818	2	Bushing-Mount, HOC	19	108-4816	1	Arm-Pivot, Rear (RH)

# Shroud, 36 Volt Motor and Battery Assembly

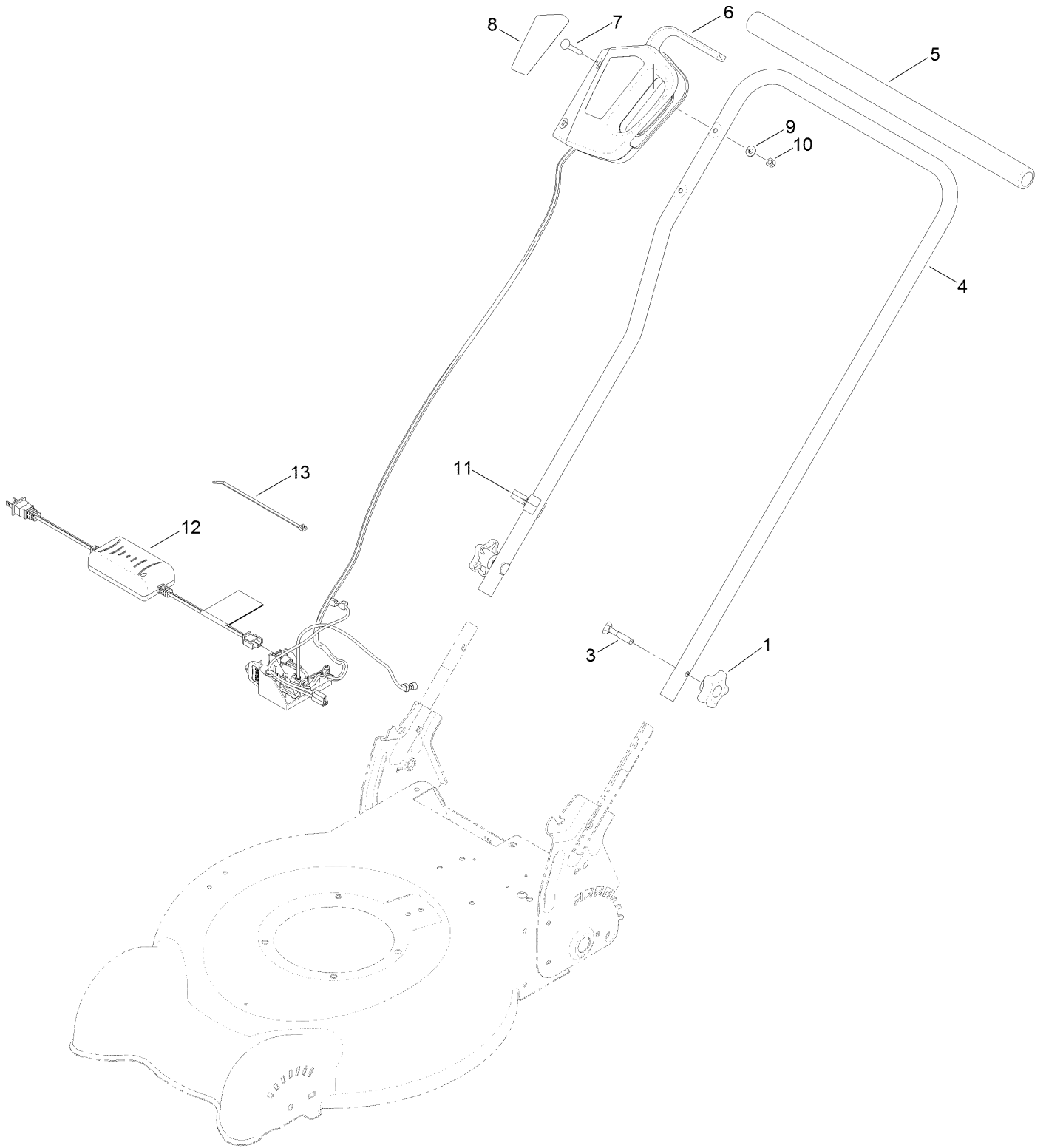


# Shroud, 36 Volt Motor and Battery Assembly (continued)

<i>Ref.</i>	<i>Part Number</i>	<i>Qty.</i>	<i>Description</i>	<i>Ref.</i>	<i>Part Number</i>	<i>Qty.</i>	<i>Description</i>
1	3296-19	1	Nut-Hex	8	119-7020	1	Shroud ASM
2	3256-6	1	Washer-Flat	9	100-4351	5	Screw-HWH
3	119-0303-03	1	Blade-20 Inch	12	119-0251	1	Cover-Shroud
4	119-3774	1	Fan Motor ASM	13	32144-111	4	Screw-PPH
5	95-1726	3	Screw-Taptite	14	119-0254	1	Motor-36V
6	119-0252	1	Tray-Battery	15	117-5999	1	Base-Motor
7	119-7060	1	Battery ASM	16	3296-73	4	Nut-Lock, NI
7:5	119-7081	2	Strap-Tie ●	17	119-3755	5	Tape-Foam, 2 Sided

● Not illustrated

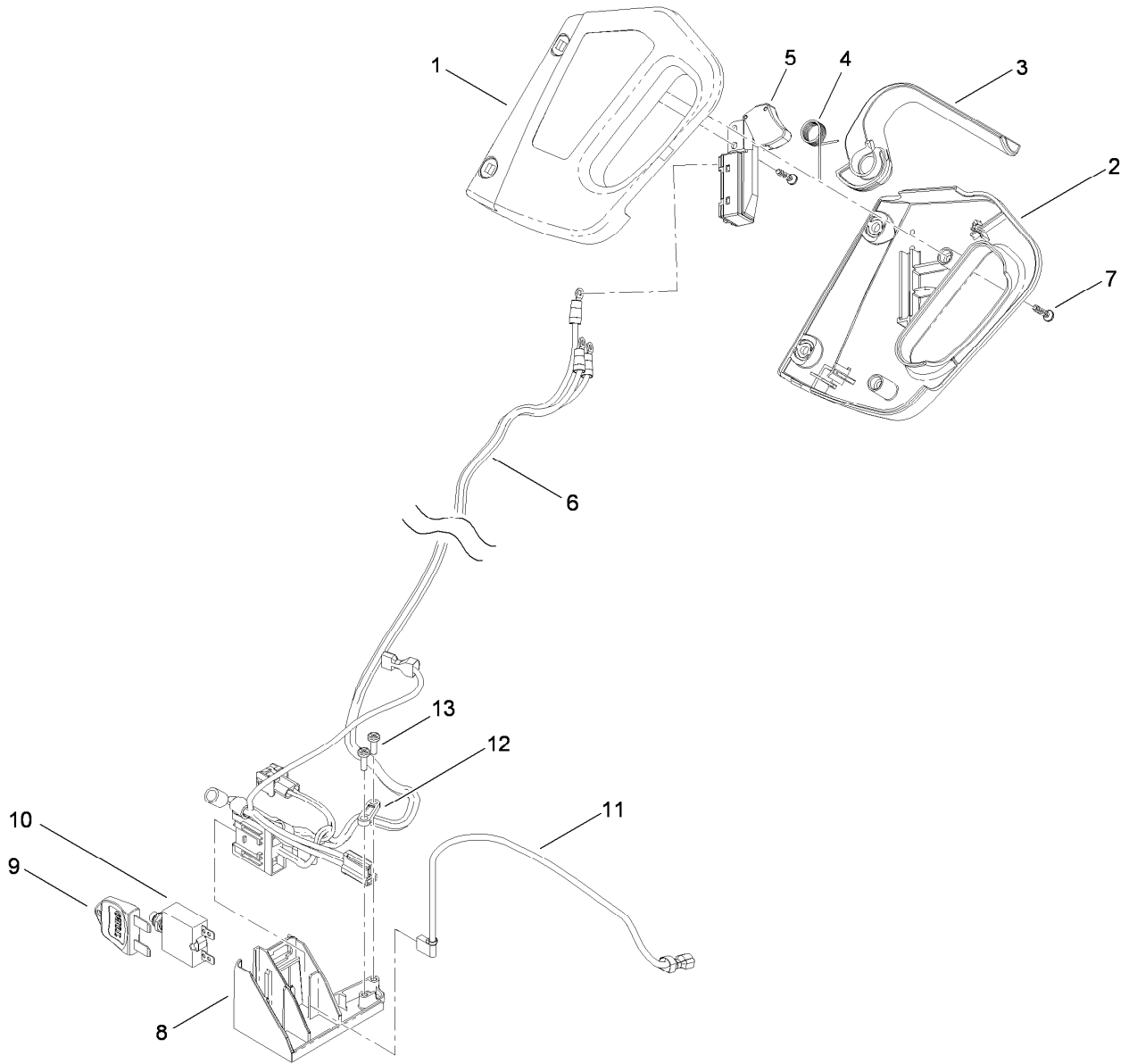
# Handle and Control Assembly



## Handle and Control Assembly (continued)

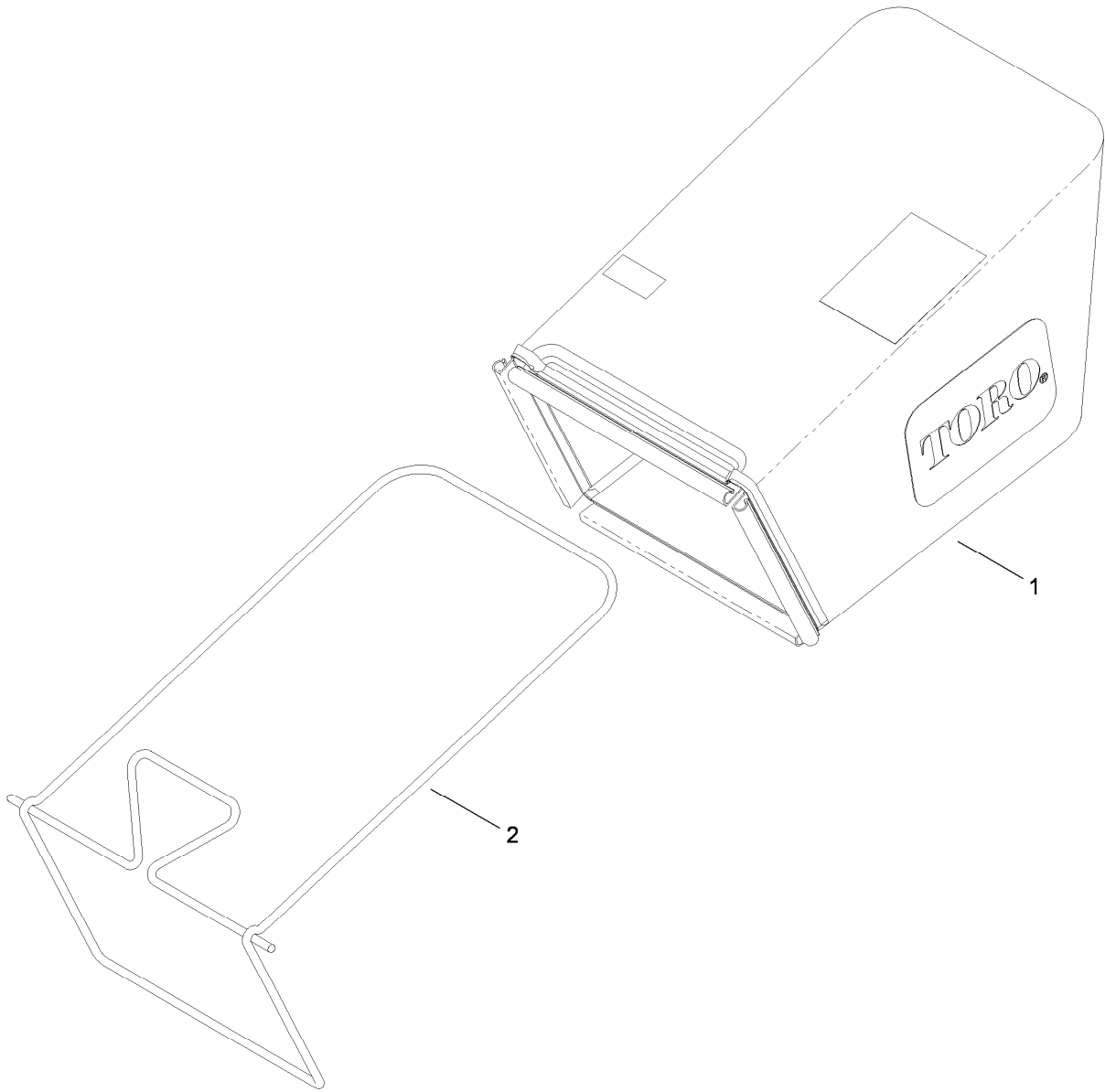
<i>Ref.</i>	<i>Part Number</i>	<i>Qty.</i>	<i>Description</i>	<i>Ref.</i>	<i>Part Number</i>	<i>Qty.</i>	<i>Description</i>
1	117-5976	2	Knob-Handle	9	3256-1	2	Washer-Flat
3	92-2260	2	Screw-Handle	10	3296-73	2	Nut-Lock, NI
4	119-0301-03	1	Handle	11	114-7988	1	Guide-Cable
5	119-0328	1	Foam-Handle	12	120-1909	1	Charger-Battery, Cordless
6		1	36 Volt Switch ASM ●				Wpm
7	3229-5	2	Screw-CARR	13	614249	1	Tie-Cable
8	119-3760	1	Decal-Housing, Switch				

● Not serviced separately



## 36 Volt Switch Assembly

<i>Ref.</i>	<i>Part Number</i>	<i>Qty.</i>	<i>Description</i>
1	119-0258	1	Housing-Switch, LH
2	119-0259	1	Housing-Switch, RH
3	119-0261	1	Lever-Switch
4	119-0264	1	Spring-Torsion, Lever
5	119-3757	1	Switch-36V, Marquardt
6	119-0316	1	Harness-Wire
7	94-4496	4	Screw-PPH
8	119-0298	1	Housing-Terminal
9	119-0300	1	Key
10	119-3779	1	Circuit Breaker
11	119-3768	1	Harness-Wire (Jumper)
12	119-3814	1	Clamp-Harness
13	32104-118	2	Screw-PPH



## Frame and Bag Assembly

<i>Ref.</i>	<i>Part Number</i>	<i>Qty.</i>	<i>Description</i>
1	120-5230	1	Grass Bag ASM
2	120-5228-03	1	Frame-Bag

# Attachments and Accessories

## For 20360 E-CYCLER 20-inch Cordless Lawn Mower

Product Name	Model/Part
Blade-Bagging .....	120-6207-03
Rear-Discharge Deflector, 2009 and After 20in Steel Deck Mower .....	89964



**Notes:**

**Notes:**

**Notes:**



**Count on it.**