



Count on it.

Parts Catalog

**30in TurfMaster
Walk-Behind Lawn Mower**

Model No. 22200—Serial No. 313000001 and Up



Ordering Replacement Parts

To order replacement parts, please supply the part number, the quantity, and the description of each part desired.

Understanding Reference Numbers

Each identified part in an illustration has a reference number. The reference number for a part also appears in the parts list, along with other information about the part.

This catalog uses two special reference number formats, one to indicate parts in a service assembly and another to indicate the quantity of a given part in an illustration.

Service Assembly Reference Numbers

Parts in service assemblies have reference numbers in the form a:b. The a represents the reference number of the entire service assembly and the b represents a sequential number unique to each part within the service assembly.

For example, a wheel assembly might be identified by reference number 6, the tire by 6:1, the valve by 6:2, and the wheel by 6:3. When you order the assembly identified by reference number 6, you receive all parts identified by reference numbers 6:1, 6:2, and 6:3. However, you may also order any part individually. Reference numbers of this type appear in illustration and in parts lists.

Reference Numbers Indicating Quantity

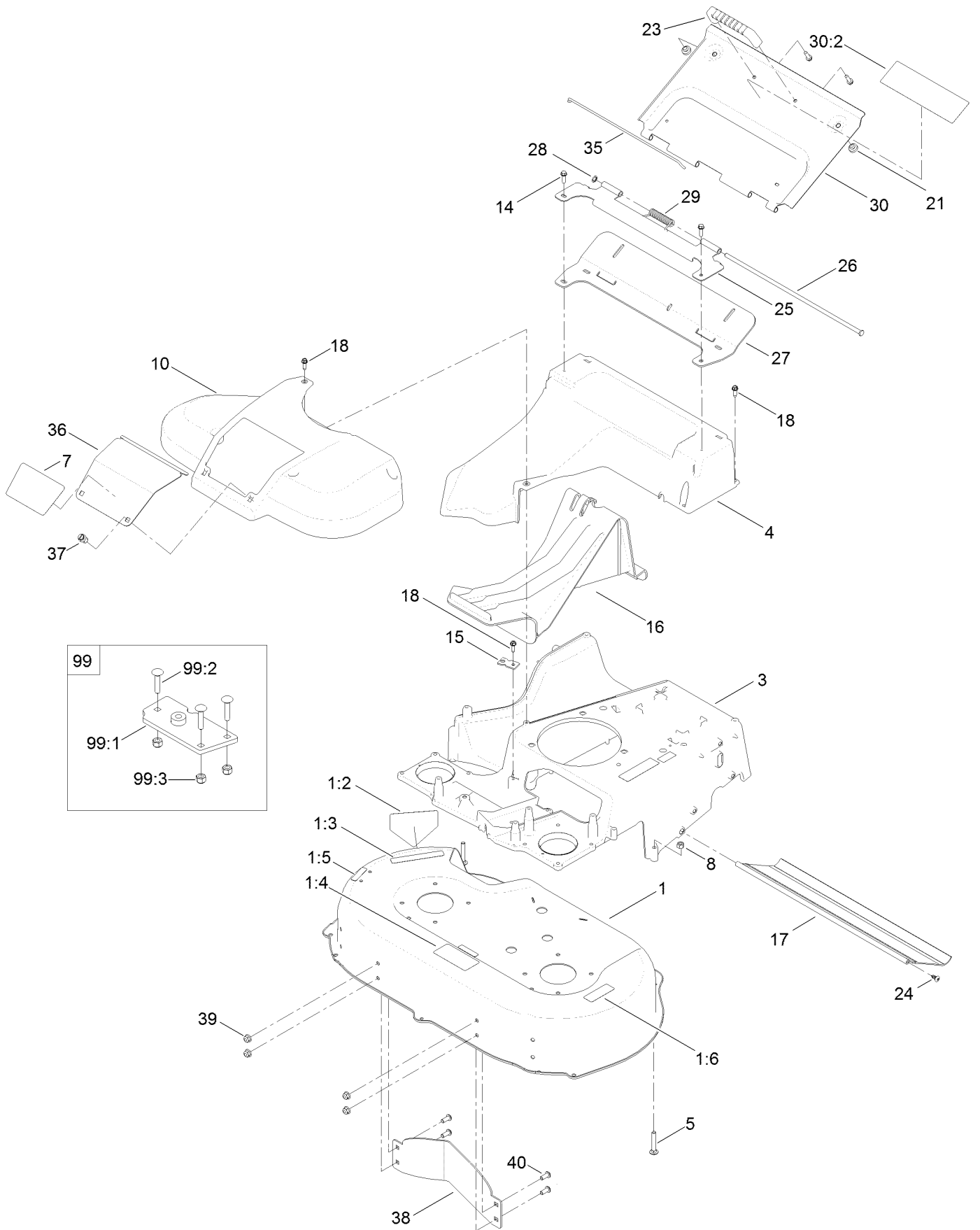
In an illustration, if a reference number indicates more than one part, the reference number has the form nX y. The n represents the quantity of the part, the X is the multiplication symbol, and the y represents the reference number.

For example, in an illustration, the reference number 2X 37 means that two of the parts identified by reference number 37 are indicated.

Contents

Deck, Frame and Chute Assembly	4
Spindle and Blade Assembly	6
Engine and Fuel Tank Assembly	8
Side Discharge Chute Assembly	10
Grass Bag Assembly	11
Front Bumper and Wheel Assembly	12
Traction and Height-of-Cut Assembly	13
Handle Assembly	14
Attachments and Accessories	15

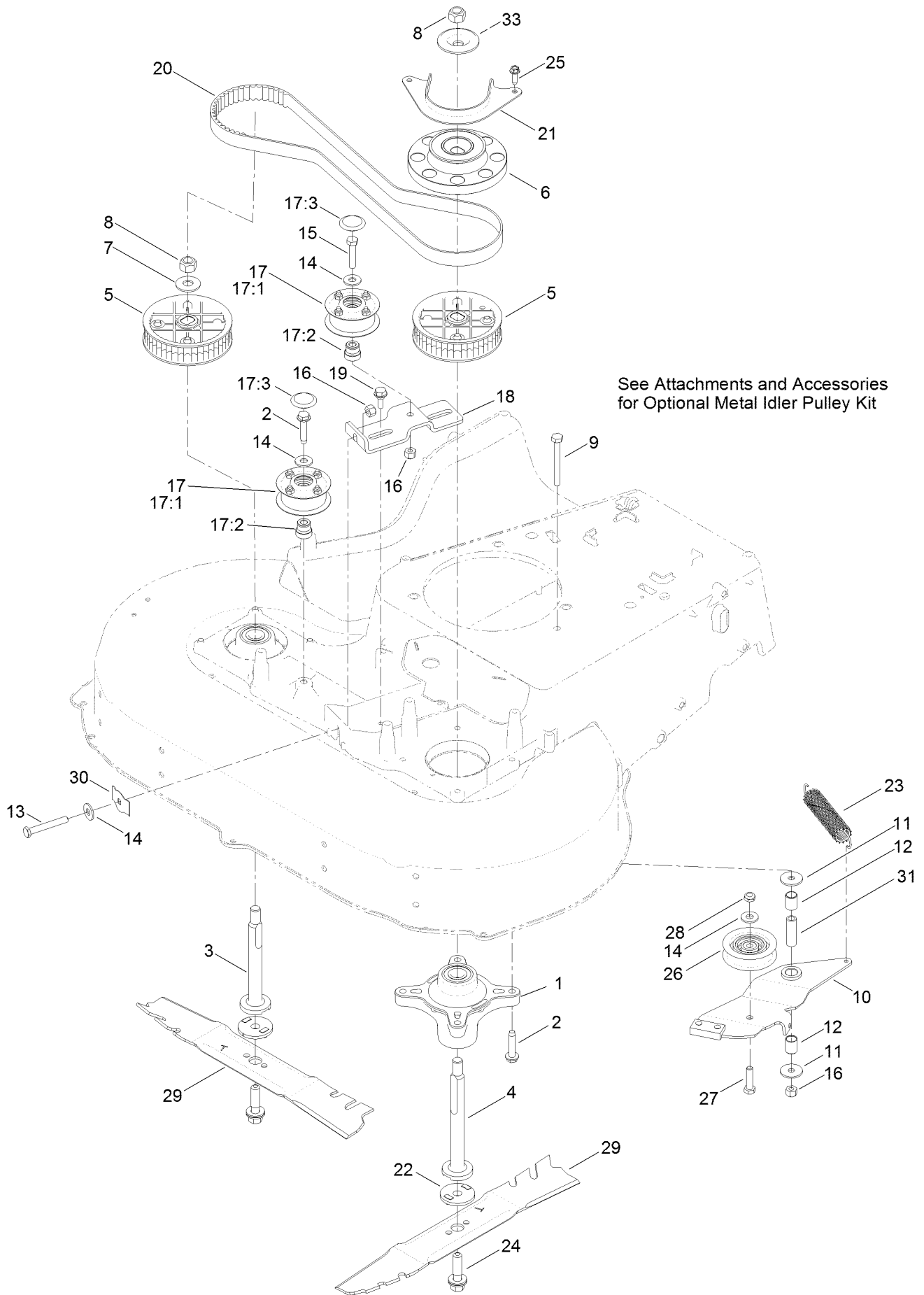
Deck, Frame and Chute Assembly



Deck, Frame and Chute Assembly (continued)

<i>Ref.</i>	<i>Part Number</i>	<i>Qty.</i>	<i>Description</i>	<i>Ref.</i>	<i>Part Number</i>	<i>Qty.</i>	<i>Description</i>
1	125-2481	1	Deck ASM	24	117-1092	2	Screw-PTH
1:2	94-8072	1	Decal-Danger	25	116-6351-03	1	Bracket-Hinge
1:3	93-7009	1	Decal-Danger	26	116-6933	1	Pin-Hinge
1:4	116-8528	1	Decal	27	116-6229	1	Seal-Door
1:5	120-9570	2	Decal-Warning	28	32151-72	1	Ring-Retaining
1:6	121-1449	1	Decal-Warning, Block	29	116-7573	1	Spring-Torsion, Cover
3	121-5807-01	1	Frame	30	116-8355	1	Rear Door ASM
4	120-3336	1	Chute	30:2	116-7583	1	Decal-Warning
5	3230-5	2	Screw-CARR	35	116-6966	1	Clip-Seal
7	121-9191	1	Decal	36	121-5793-03	1	Door-Access
8	3296-29	2	Nut-Lock, NI	37	121-5840	2	Fastener
10	121-5810	1	Cover-Belt	38	116-5588-01	1	Baffle-Flow, Control
14	46-8091	4	Screw-HWH	39	104-8300	4	Nut-Flange, NI
15	107-7497	1	Bracket-Cable, Traction	40	3274-55	4	Screw-HSBH
16	120-5225	1	Plug-Mulch	99	125-5072	1	Frame Plate Kit (Service)
17	121-5841	1	Shield-Trailing	99:1	125-2542	1	Plate Frame ASM
18	49-2040	9	Screw-HWHTF	99:2	3229-3	3	Screw-CARR
21	1-513658	2	Bumper	99:3	3296-42	3	Nut-Lock, NI
23	65-5100	1	Handle-Door				

Spindle and Blade Assembly

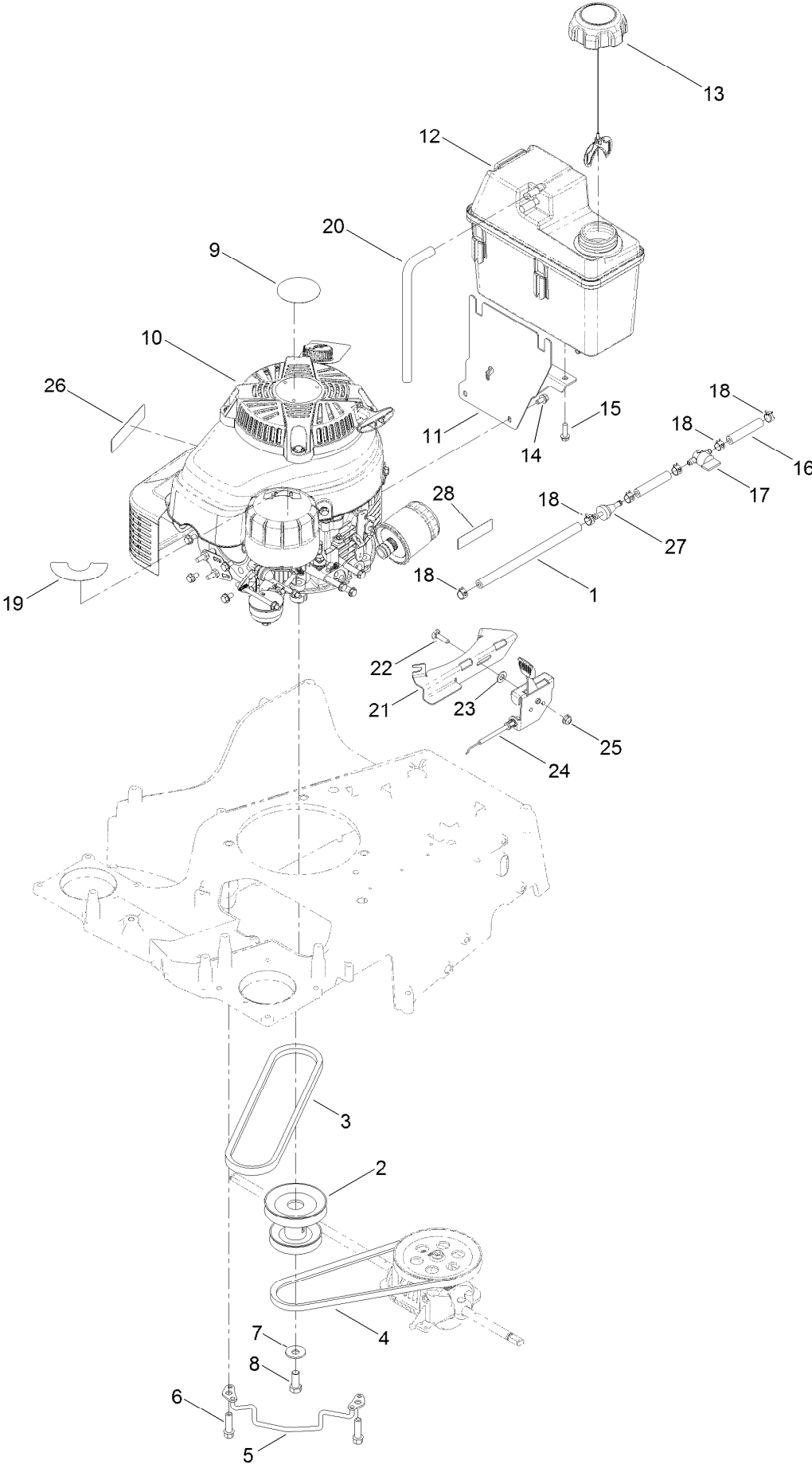


Spindle and Blade Assembly (continued)

<i>Ref.</i>	<i>Part Number</i>	<i>Qty.</i>	<i>Description</i>	<i>Ref.</i>	<i>Part Number</i>	<i>Qty.</i>	<i>Description</i>
1	120-6234	2	Spindle ASM	17:2	131-4504	2	Adapter-Bore
2	32144-57	9	Screw	17:3	125-2533	2	Plug-Cap
3	120-5234	1	Shaft-Spindle	18	120-3348	1	Bracket-Idler
4	120-5235	1	Shaft-Spindle	19	120-7024	2	Screw-Shoulder, HHF
5	121-9100	2	Sprocket	20	120-3335	1	Belt-Synchronous
6	120-3334	1	Pulley-Brake, Spindle	21	120-5245-03	1	Guide-Belt, Spindle
7	109-9505	1	Washer-Spring	22	120-5236	2	Adapter-Blade
8	3296-19	2	Nut-Hex	23	121-5808	1	Spring-Extension, Brake
9	322-13	1	Screw-HH	24	105-8579	2	Bolt-Blade
10	121-5796	1	Brake Arm ASM	25	49-2040	2	Screw-HWHTF
11	5-4460	2	Washer-Pivot	26	120-7082	1	Pulley-Idler
12	131-0819	2	Bushing-Sleeve	27	322-6	1	Screw-HH
13	9114524	1	Bolt-TAP, HH	28	3296-47	1	Nut-Lock, NI
14	3256-3	4	Washer-Flat	29	116-6358-03	2	Blade-Rotary
15	322-7	1	Screw-HH	30	121-2336	1	Spring-Flat
16	3296-29	3	Nut-Lock, NI	31	131-0823	1	Spacer-Brake
17	131-4529	2	Pulley Kit	33	125-2544	1	Washer-Cup
17:1		2	Pulley ASM ●				

● Not serviced separately

Engine and Fuel Tank Assembly

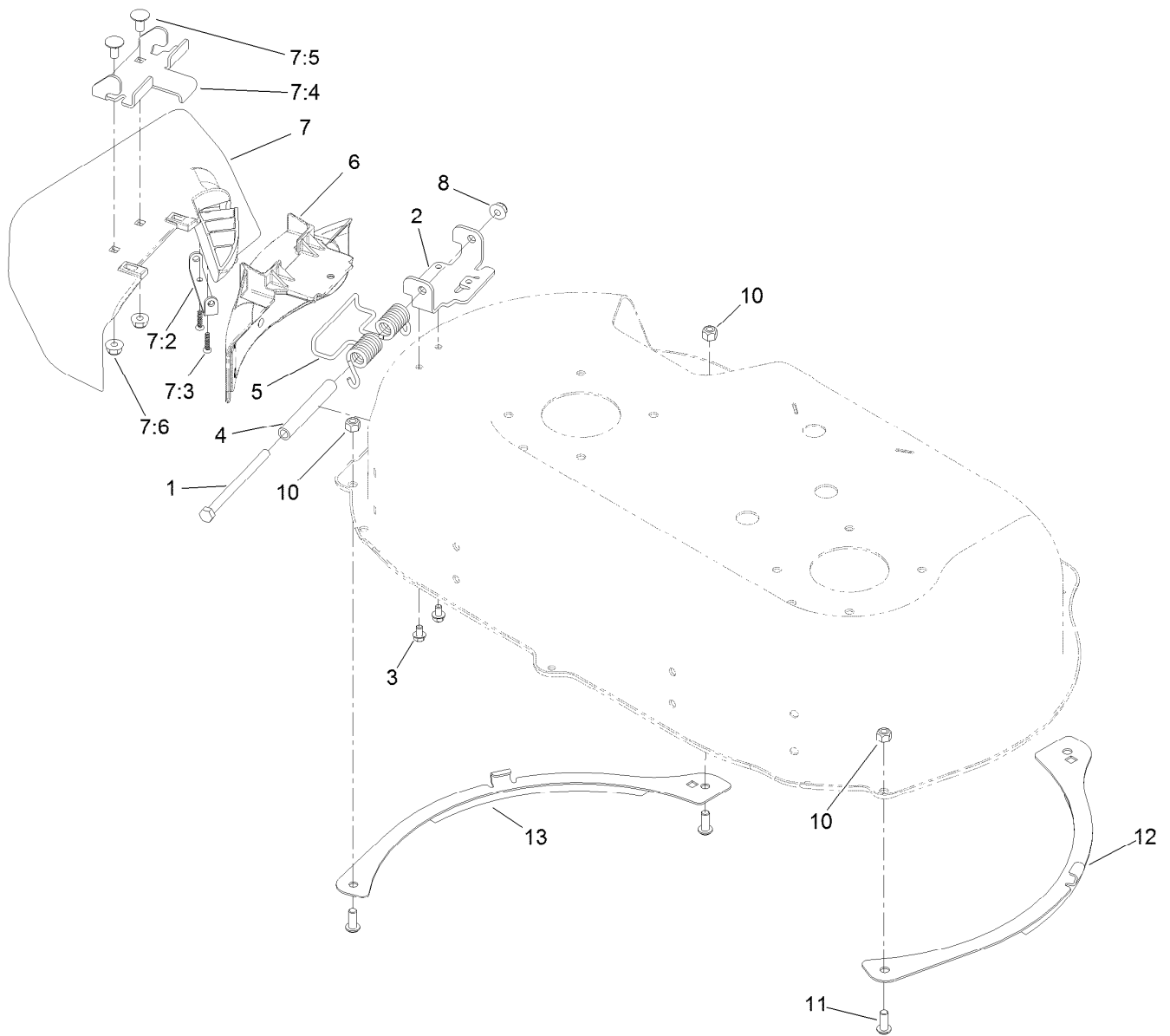


Engine and Fuel Tank Assembly (continued)

<i>Ref.</i>	<i>Part Number</i>	<i>Qty.</i>	<i>Description</i>	<i>Ref.</i>	<i>Part Number</i>	<i>Qty.</i>	<i>Description</i>
1	119-1892	1	Hose-Fuel	15	46-8091	2	Screw-HWH
2	116-7013	1	Pulley-Engine	16	109-0304	2	Hose-Fuel
3	121-5765	1	V-Belt	17	1-603770	1	Valve-Fuel
4	116-7116	1	Belt	18	2412-98	6	Clamp-Hose
5	120-7077	1	Guide-Belt	19	114-3415	1	Decal
6	95-1726	3	Screw-Taptite	20	115-0962	1	Hose-Vent, Canister
7	3290-465	1	Washer-Belleville	21	116-2220-03	1	Bracket-Mount, Throttle
8	3212-4	1	Screw-HH	22	3229-30	1	Screw-CARR
9	109-6528	1	Decal	23	3256-23	1	Washer-Flat
10		1	Engine-Kawasaki, Fj180V ● ■	24	116-2248	1	Throttle
11	115-0954-03	1	Mount-Tank	25	104-7201	1	Nut-Flange, NI
12	125-5066	1	Tank-Fuel	26	117-2718	1	Decal-Arrester, Spark
13	109-6776	1	Cap-Ratchet, Tethered	27	71-9280	1	Filter-Fuel
14	116-8929	3	Screw-HWH	28	116-9313	1	Decal-Warning, Engine

● Not serviced separately

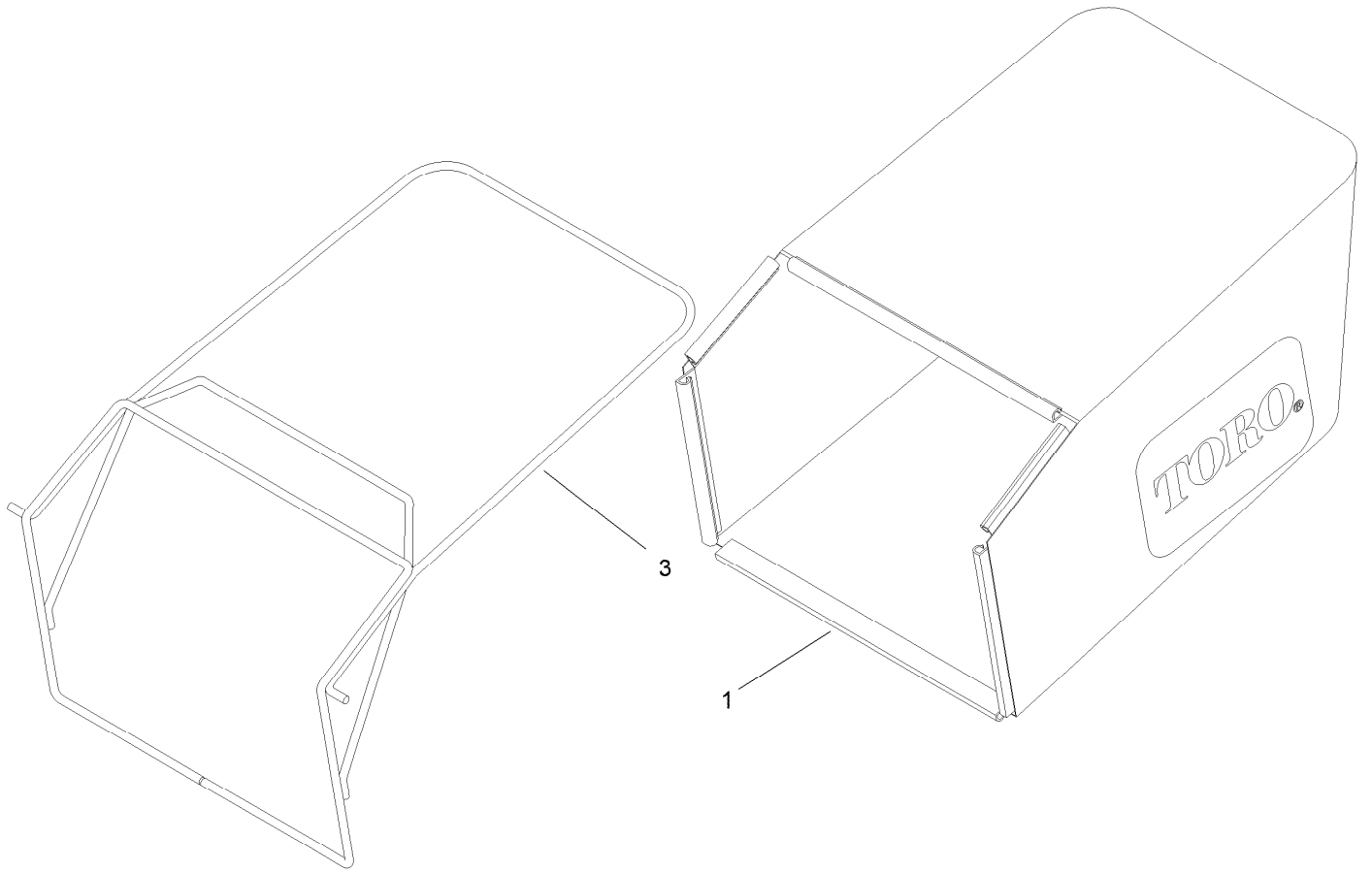
■ Obtain parts from www.kawpowerepc.com



Side Discharge Chute Assembly

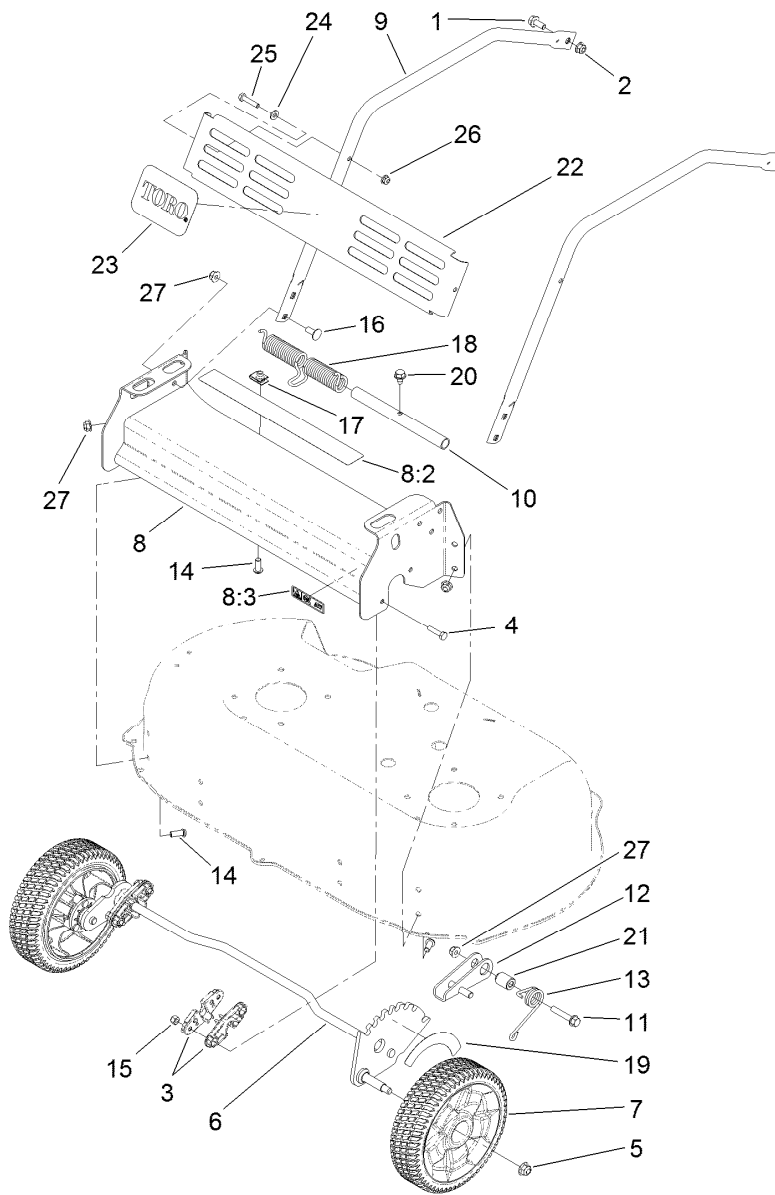
Ref.	Part Number	Qty.	Description
1	322-38	1	Screw-HH
2	121-9195	1	Hinge
3	99-8445	2	Screw-HWH
4	125-2478	1	Spacer
5	121-9193	1	Spring-Torsion
6	121-9194-01	1	Cover-Discharge
7	125-2450	1	Side Discharge Chute ASM
7:2	112-6416	1	Bracket-Cover
7:3	94-4496	2	Screw-PPH

Ref.	Part Number	Qty.	Description
7:4	121-9196	1	Bracket-Chute
7:5	3230-18	2	Screw-CARR
7:6	104-8300	2	Nut-Flange, NI
8	104-8300	1	Nut-Flange, NI
10	3296-29	3	Nut-Lock, NI
11	3274-55	3	Screw-HSBH
12	125-5074-03	1	Skid-LH
13	125-5075-03	1	Skid-RH



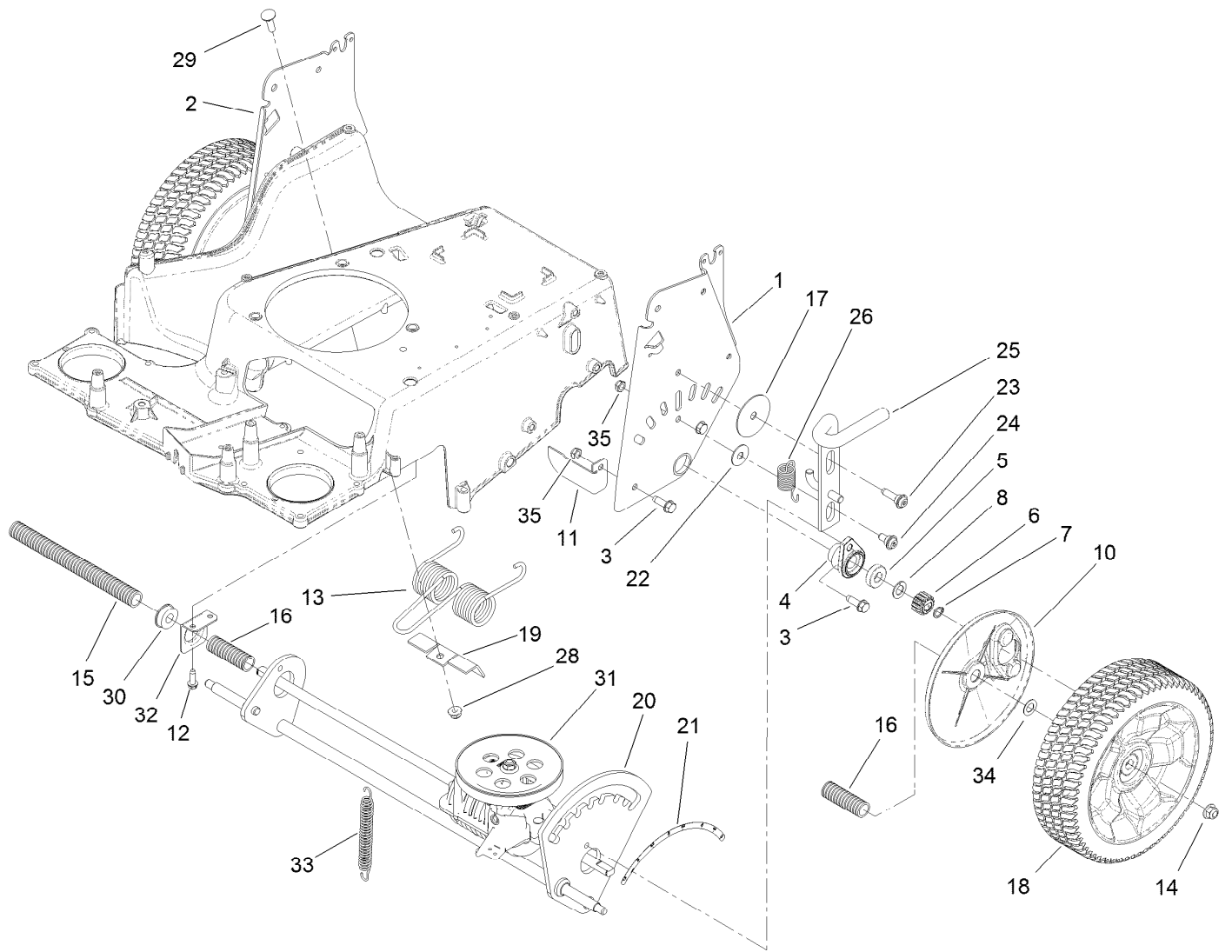
Grass Bag Assembly

<i>Ref.</i>	<i>Part Number</i>	<i>Qty.</i>	<i>Description</i>
1	121-5775	1	Grass Bag ASM
3	116-5596-03	1	Frame-Bag



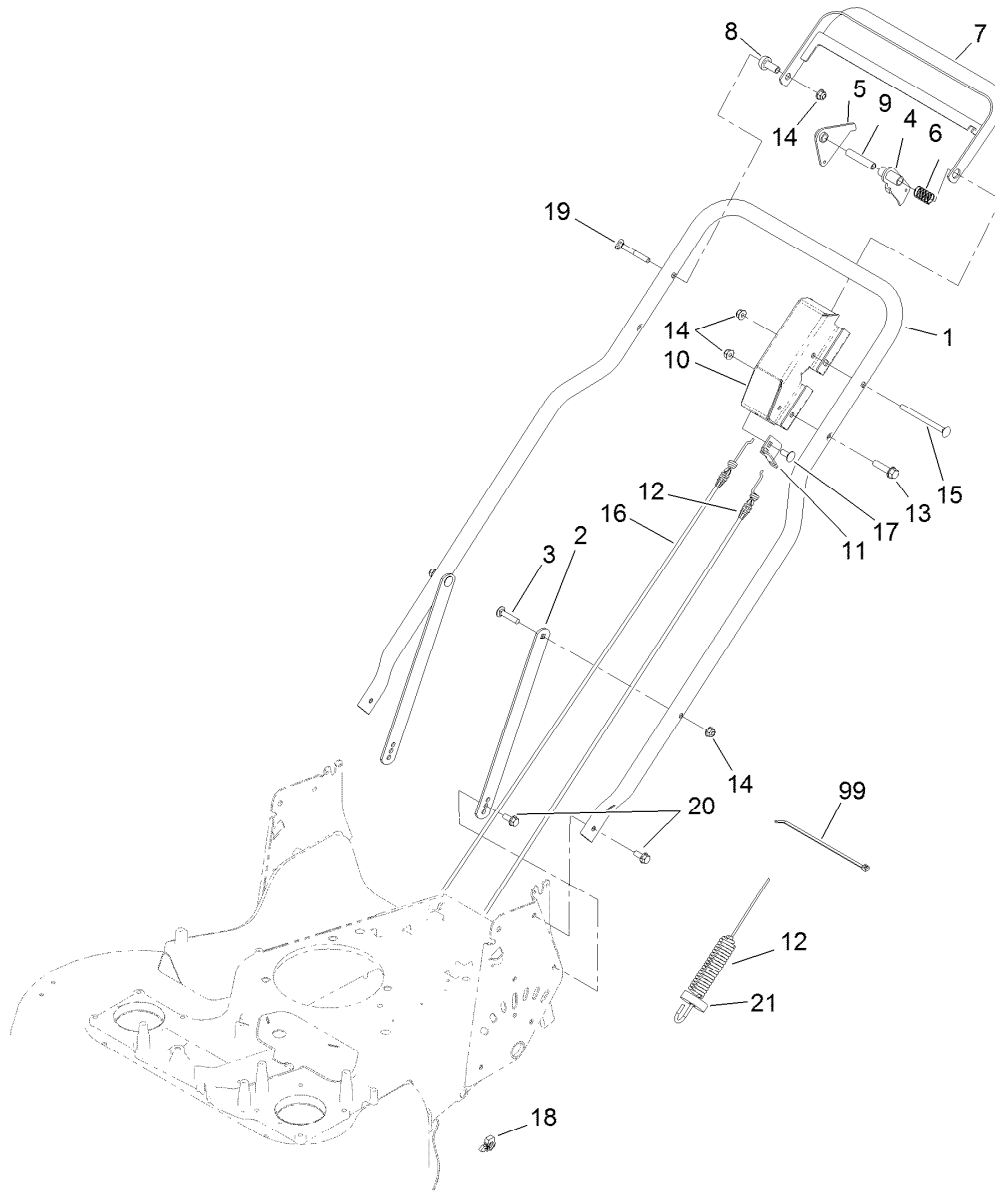
Front Bumper and Wheel Assembly

Ref.	Part Number	Qty.	Description	Ref.	Part Number	Qty.	Description
1	116-7230	2	Screw-HHF	14	3274-55	9	Screw-HSBH
2	104-8300	2	Nut-Flange, NI	15	3296-42	4	Nut-Lock, NI
3	121-5781	4	Bushing-Front	16	3230-23	4	Screw-CARR
4	321-7	4	Screw-HH	17	94-2413	1	Nut-U
5	104-8301	2	Nut-Flange, NI	18	121-2337	1	Spring-Torsion
6	120-9454	1	Axle-Front	19	121-5846	1	Decal-HOC, Front
7	125-5057	2	8 Inch Wheel And Ring ASM	20	9266934	1	Screw
8	125-2488	1	Front Bumper ASM	21	125-2486	1	Spacer
8:2	121-5847	1	Decal	22	121-9187-03	1	Shield
8:3	116-7581	1	Decal-Warning	23	117-0871	1	Decal
9	121-9168-03	2	Brace	24	3256-22	2	Washer-Flat
10	121-5809	1	Mandrell-Spring	25	321-8	2	Screw-HH
11	94-5780	1	Screw-HWH	26	104-7201	2	Nut-Flange, NI
12	125-2483	1	Lock-Height, Adjustment	27	104-8300	13	Nut-Flange, NI
13	120-9465	1	Spring-Torsion				



Traction and Height-of-Cut Assembly

Ref.	Part Number	Qty.	Description	Ref.	Part Number	Qty.	Description
1	121-2394-03	1	LH HOC Plate ASM	19	121-2397	1	Bracket
2	121-2395-03	1	RH HOC Plate ASM	20	120-7095	1	Axle-Rear
3	701243	7	Screw-HWHTF	21	116-7127	1	Decal-HOC, Rear
4	120-5210	2	Retainer-Bearing	22	52-2860	1	Washer
5	109-8020	2	Bearing-Ball	23	119-2267	1	Screw-Shoulder, BHTF
6	110-9417	2	Gear-Pinion, 15T	24	120-9471	1	Bolt-Shoulder
7	32151-61	2	Ring-Retaining	25	120-7090	1	Lock-Height, Adjust
8	110-7191	2	Washer-Thrust	26	120-9452	1	Spring-Extension
10	125-2480	2	Cover-Gear	28	104-8300	1	Nut-Flange, NI
11	121-5821	1	Bracket-Stop	29	3230-2	1	Bolt-CARR
12	49-2040	2	Screw-HWHTF	30	104-8699	1	Bearing-Ball
13	121-2368	1	Spring-Torsion	31	116-6999	1	Transmission
14	104-8301	2	Nut-Flange, NI	32	120-7008	1	Mount-Bearing
15	121-5799	1	Conduit-Convolute	33	120-7027	1	Spring-Extension
16	121-5800	2	Conduit-Convolute	34	36-4780	2	Washer-Plain
17	125-2540	1	Washer-Plain	35	3296-47	2	Nut-Lock, NI
18	125-5032	2	10 Inch Rear Wheel ASM				



Handle Assembly

<i>Ref.</i>	<i>Part Number</i>	<i>Qty.</i>	<i>Description</i>	<i>Ref.</i>	<i>Part Number</i>	<i>Qty.</i>	<i>Description</i>
1	121-5827-03	1	Handle	12	127-0741	1	Cable-Brake
2	116-8208-03	2	Support-Handle	13	32144-102	1	Screw-HWH
3	3230-4	2	Screw-CARR	14	104-8300	5	Nut-Flange, NI
4	121-5831	1	BBC Lever ASM	15	106-9758	1	Screw-CARR
5	121-9136	1	Lever-Traction	16	121-9152	1	Cable-Traction
6	85-6750	1	Spring-Control	17	3230-23	1	Screw-CARR
7	121-5829-03	1	Bar-Control	18	125-2545	1	Clip-Conduit
8	49-1631	1	Spacer-Support	19	17-9427	1	Screw
9	84-9030	1	Spacer-Bracket, Control	20	116-7230	4	Screw-HHF
10	121-5789-03	1	Bracket-Control	21	1-323417	2	Washer
11	121-9166	1	Bracket	99	614249	3	Tie-Cable

Attachments and Accessories

For 22200 30in TurfMaster Walk-Behind Lawn Mower

Product Name	Model/Part
Atomic Blade 15.4in.....	120-9500-03
Mulching Kit.....	125-5064
Idler Pulley Kit.....	126-7890



Count on it.