

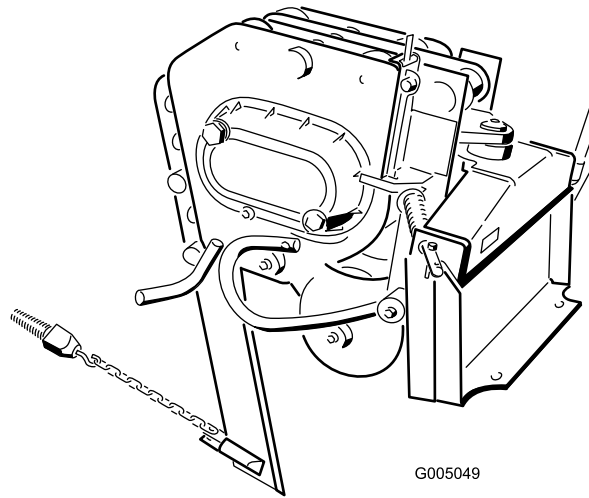


Count on it.

Operator's Manual

**Vibratory Plow
Compact Utility Loaders**

Model No. 22911—Serial No. 315000001 and Up



G005049



⚠ WARNING

**CALIFORNIA
Proposition 65 Warning**

This product contains a chemical or chemicals known to the State of California to cause cancer, birth defects, or reproductive harm.

Use of this product may cause exposure to chemicals known to the State of California to cause cancer, birth defects, or other reproductive harm.

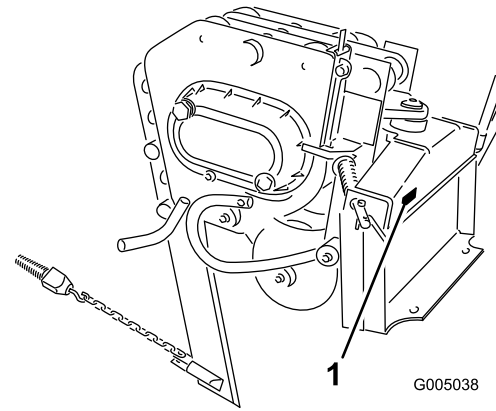


Figure 1

1. Model and serial number location

Model No. _____

Serial No. _____

This product complies with all relevant European directives. For details, please see the Declaration of Incorporation (DOI) at the back of this publication.

Introduction

The vibratory plow is an attachment designed for use on Toro compact utility loaders to pull flexible pipe and cable into and through soil. It is designed to be used by train operators primarily for routing irrigation and utility lines underground without having to dig a trench for the entire length of the pipe or cable.

Read this information carefully to learn how to operate and maintain your product properly and to avoid injury and product damage. You are responsible for operating the product properly and safely.

You may contact Toro directly at www.Toro.com for product safety and operation training materials, accessory information, help finding a dealer, or to register your product.

Whenever you need service, genuine Toro parts, or additional information, contact an Authorized Service Dealer or Toro Customer Service and have the model and serial numbers of your product ready. [Figure 1](#) identifies the location of the model and serial numbers on the product. Write the numbers in the space provided.

This manual identifies potential hazards and has safety messages identified by the safety alert symbol ([Figure 2](#)), which signals a hazard that may cause serious injury or death if you do not follow the recommended precautions.



Figure 2

1. Safety alert symbol

This manual uses 2 words to highlight information. **Important** calls attention to special mechanical information and **Note** emphasizes general information worthy of special attention.

Contents

Safety	3
Stability Ratings.....	4
Safety and Instructional Decals	5
Product Overview	6
Specifications	6
Attachments/Accessories.....	6
Operation	6
Installing a Blade.....	6
Plowing.....	7
Gauging Plow Depth	8
Transporting the Plow.....	8
Removing the Plow from the Traction Unit	9
Operating Tips	9
Maintenance	10
Recommended Maintenance Schedule(s)	10
Greasing the Plow	10
Servicing the Gear Lube.....	11
Replacing the Coulter.....	11
Storage	12
Troubleshooting	13

Safety

Improper use or maintenance by the operator or owner can result in injury. To reduce the potential for injury, comply with these safety instructions and those in the traction unit *Operator's Manual*. Always pay attention to the safety alert symbol, which means *Caution, Warning, or Danger*—personal safety instruction. Failure to comply with the instruction may result in personal injury or death.

⚠ DANGER

There may be buried power, gas, and/or telephone lines in the work area. Shock or explosion may occur if you dig into them.

Have the property or work area marked for buried lines and do not dig in marked areas. Contact your local marking service or utility company to have the property marked (for example, in the United States, call 811 for the nationwide marking service).

⚠ WARNING

When the engine is off, attachments in the raised position can gradually lower. Someone nearby may be pinned or injured by the attachment as it lowers.

Always lower the attachment lift each time you shut off the traction unit.

⚠ WARNING

If you do not fully seat the attachment locking pins in the attachment mount plate holes, the attachment could fall off of the traction unit severely injuring the operator or bystanders.

- Ensure that you fully seat the attachment locking pins through the holes in the attachment mount plate before lifting the attachment.
- Ensure that the attachment mount plate is free of any dirt or debris that may hinder the connection of the traction unit to the attachment.
- Refer to your traction unit *Operator's Manual* for detailed information on safely connecting an attachment to your traction unit.

⚠ WARNING

The plow is very loud during operation; over time, your hearing may be impaired if unprotected.

Wear hearing protection during operation.

⚠ WARNING

Lightning can cause severe injury or death. If lightning is seen or thunder is heard in the area, do not operate the machine; seek shelter.

⚠ WARNING

When the plow is out of the ground, bystanders could be injured by the swinging plow, and/or the traction unit could be overturned by the inertia of the swinging plow, crushing you or bystanders.

- Keep the plow low at all times.
- Use caution when turning and do not turn quickly.
- Keep all bystanders at least 2 m (6 ft) away while operating.

⚠ CAUTION

Hydraulic fluid escaping under pressure can penetrate skin and cause injury. Fluid injected into the skin must be surgically removed within a few hours by a doctor familiar with this form of injury or gangrene may result.

- Keep your body and hands away from pin hole leaks or nozzles that eject high-pressure hydraulic fluid.
- Use cardboard or paper to find hydraulic leaks; never use your hands.

⚠ CAUTION

Hydraulic couplers, hydraulic lines/valves, and hydraulic fluid may be hot and can burn you if you touch them.

- Wear gloves when operating the hydraulic couplers.
- Allow the traction unit to cool before touching hydraulic components.
- Do not touch hydraulic-fluid spills.

Stability Ratings

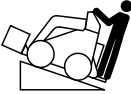


To determine the degree of slope you can traverse with the vibratory plow installed on a traction unit, find the stability rating for the hill position you want to travel in the appropriate table below, then find the degree of slope for the same rating and hill position in the Stability Data section of the traction unit *Operator's Manual*.

⚠ WARNING

Exceeding the maximum recommended slope can cause the traction unit to tip, crushing you or bystanders.

Do not drive the traction unit on a slope steeper than the maximum recommended slope, as determined in the following tables and the traction unit *Operator's Manual*.

Important: If you have a traction unit other than a TX compact utility loader, use the counterweight on the traction unit when using the plow. Failure to use the counterweight will cause the traction unit to become unstable.

Orientation	Stability Rating
Front Uphill 	C
Rear Uphill 	D
Side Uphill 	C

Sound Pressure

This unit has a sound pressure level at the operator's ear of 117 dBA, which includes an Uncertainty Value (K) of 1 dBA.

Sound pressure level was determined according to the procedures outlined in EN ISO 11201.

The sound pressure level will vary depending on conditions.

Vibration Level

Hand-Arm Vibration

Measured vibration level = 7 m/s^2

Uncertainty Value (K) = 2.8 m/s^2

Measured values were determined according to the procedures outlined in EN 1032.

Whole Body Vibration

Measured vibration level = 0.2 m/s^2

Uncertainty Value (K) = 0.10 m/s^2

Measured values were determined according to the procedures outlined in EN 1032.

Safety and Instructional Decals



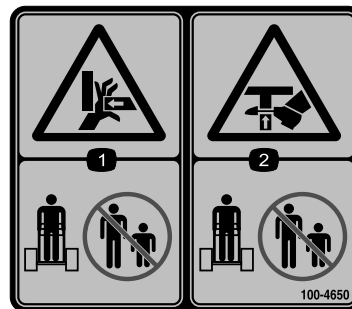
Safety decals and instructions are easily visible to the operator and are located near any area of potential danger. Replace any decal that is damaged or lost.



100-4649

decal100-4649

1. Explosion and electric shock hazards—do not dig in areas with buried gas or electrical lines, keep bystanders a safe distance from the machine.



100-4650

decal100-4650

1. Crushing hazard of hand—keep bystanders a safe distance from the machine.
2. Crushing hazard of foot—keep bystanders a safe distance from the machine.

Product Overview

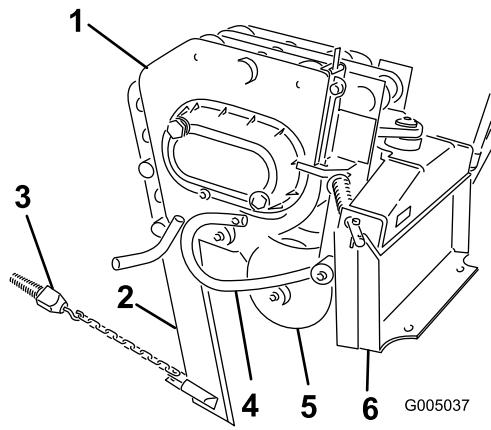


Figure 3

- | | |
|--|-----------------------|
| 1. Vibratory-plow body | 4. Gauge-rod assembly |
| 2. Blade (several optional blade styles are available) | 5. Coultter |
| 3. Puller (several optional puller styles are available) | 6. Mounting plate |

Specifications

Note: Specifications and design are subject to change without notice.

Width	73.6 cm (29 inches)
Length	89 cm (35 inches)
Height	60 cm (24 inches)
Weight	181.5 Kg (400 lb)
Hydraulic motor displacement	1.27 in ³ /rev (20.8 cc)
Plow cycles	2,000 VPM

Attachments/Accessories

A selection of Toro approved attachments and accessories is available for use with the machine to enhance and expand its capabilities. Contact your Authorized Service Dealer or Distributor or go to www.Toro.com for a list of all approved attachments and accessories.

Operation

Refer to your traction unit *Operator's Manual* for more information on installing and removing attachments on your traction unit.

Important: Always use the traction unit to lift and move the attachment.

Installing a Blade

Toro offers several different blades and pullers. Purchase a blade and puller from your Authorized Toro Dealer dealer.

⚠ WARNING

The blade is sharp and can swing during installation and removal, cutting, pinching, or crushing hands or feet.

Wear gloves and work boots and securely hold the blade.

1. Raise the plow about 1 m (39 inches) off of the ground and install the cylinder lock(s).
2. Stop the engine and remove the key.
3. Remove the two click pins from the clevis pins in the blade bracket, then remove the clevis pins (Figure 4) and the existing blade (if installed).

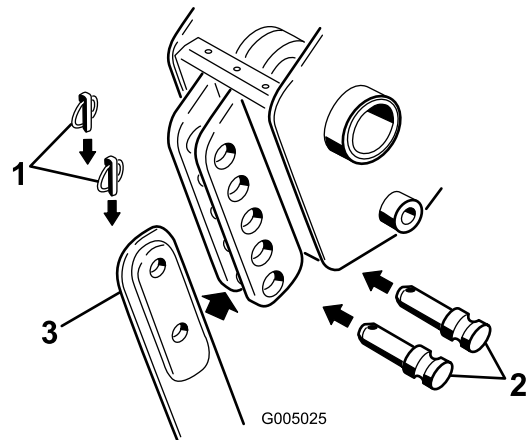


Figure 4

- | | |
|---------------|----------|
| 1. Click pin | 3. Blade |
| 2. Clevis pin | |

4. Slide the new blade into the blade bracket and secure it at the desired depth (a change in mounting holes changes the depth by 7.6 cm (3 inches), using the clevis pins and click pins removed previously (Figure 4).

Plowing

1. Move the lynch pins to the outside holes on the spring rods to allow the plow to move from side to side (Figure 5).

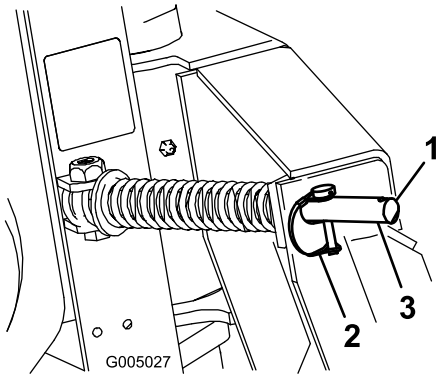


Figure 5

1. Outer hole
2. Lynch pin (in inner hole)
3. Spring rod

⚠ CAUTION

When you remove the lynch pin, the plow could swing into you or a bystander, or cause the traction unit to become unstable.

Hold the plow in the Neutral position when moving the lynch pins.

2. Connect the material being installed to the plow.
3. If your traction unit has a speed selector, move it to the slow (turtle) position.
4. Start the engine.
5. Tilt the attachment plate completely back so that the top of the plow is parallel to the ground (Figure 7).
6. Lower the plow so that it is resting on the ground.

Important: Always ensure that the plow is on or in the ground before engaging the auxiliary hydraulics lever. Failure to do so will cause excessive vibration of the traction unit, possibly resulting in damage.

Note: If you dig a hole to lower the blade into before starting, it will reduce the risk of bending the blade.

7. Pull the auxiliary-hydraulics lever to the operator grip to engage the plow.
8. Slowly lower the plow into the ground to the desired depth, while moving the traction unit backward.
9. When finished, release the auxiliary-hydraulics lever to stop the plow.

⚠ CAUTION

When plowing on a hill, the plow can swing down hill when raised out of the soil. Due to the weight of the plow, if it swings too fast, the force could tip the traction unit injuring you or others.

When plowing on a hill, raise the plow out of the ground slowly, letting it swing while the blade is still in the soil.

10. Raise the plow out of the ground far enough to pull the puller out of the soil.
11. Move the traction unit rearward to pull out a working length of material, then move forward slightly to create some slack in the line.
12. Stop the engine.

Gauging Plow Depth

Normally, you will plow at the maximum depth set by the blade; however, the plow is also equipped with a gauge to allow you to lift the plow and determine how high above maximum depth you are plowing.

The gauge is located on the left side of the plow facing the traction unit. A rod assembly runs from the gauge to the ground (Figure 7). When you lift the plow, the indicator on the gauge moves down. Marks on the gauge show the number of inches lower or higher than the maximum depth that you are plowing (Figure 6). The gauge reads from +2 to -3. The +2 on the gauge represents a 5.0 cm (2 inch) depth below the bare surface and the -3 on the gauge represents a 7.6 cm (3 inch) above the bare surface. The 0 on the gauge indicates that no offset is applied to the blade depth.

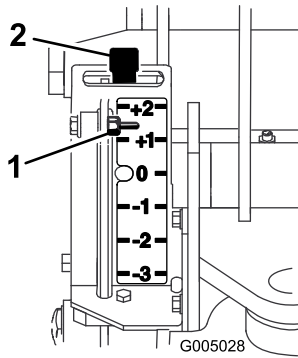


Figure 6

g005028

1. Depth gauge
2. Gauge-locking lever

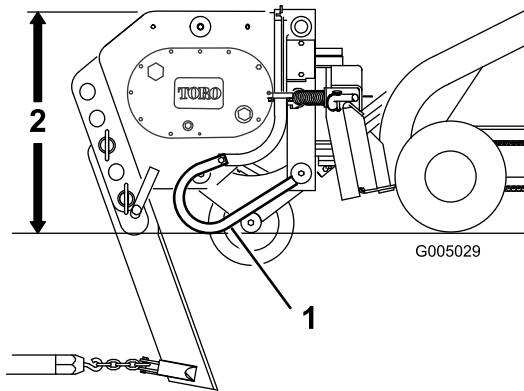


Figure 7

g005029

1. Gauge-rod assembly
2. Parallel to the ground

When plowing bare ground, the maximum depth indicated on the gauge is the 0 mark. You can plow down to the +1 mark, but you will contact the ground with the coulter axle. Plowing any lower may damage the coulter.

When plowing grass covered ground, the gauge will read about an inch lower than the actual depth because of the grass. In this case, lower the plow to the desired coulter depth and note the reading on the gauge.

If you transport the plow or plow rough terrain, you can lock the gauge at the +2 position to keep it from being damaged. To lock the gauge, manually raise it to the +2 position and move the locking lever to the left.

Transporting the Plow

1. Move the lynch pins to the inside holes on the spring rods to prevent side-to-side movement (Figure 5).

CAUTION

Failure to secure the plow allows it to swing side-to-side and unbalance the plow. Due to the weight of the plow, if it swings too fast, the force could tip the traction unit, injuring you or bystanders.

Always secure the plow with the lynch pins in the inner holes of the spring rods before transporting the plow.

2. Raise the loader arms just enough to ensure that the blade clears the ground.

Important: Important: Never transport the plow with the arms fully raised.

Removing the Plow from the Traction Unit

Refer to your traction unit *Operator's Manual* for complete instructions on removing attachments from the traction unit and disconnecting hydraulic hoses.

1. With the plow raised above the ground, stop the engine.
2. Remove the lower click pin and clevis pin securing the blade to the plow (to completely remove the blade, remove both the upper and lower click and clevis pins [Figure 4](#)).
3. Swing the blade up and secure it as in [Figure 8](#).

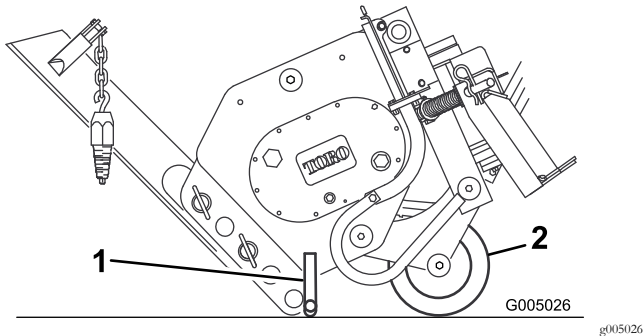


Figure 8

1. Stand

2. Coulter

4. Tilt the plow forward and lower it to the ground or trailer, with the stand and coulter supporting the weight of the plow ([Figure 8](#)).
5. Stop the engine, remove the key, and remove the plow as directed in your traction unit *Operator's Manual*.

Operating Tips

- Some older model traction units have holes through the spring and quick-attach pins on the mount plate ([Figure 9](#)) to allow you to install 2 hairpin cotters when plowing long runs. This ensures that the vibration of the plow does not cause the pins to come loose.

Note: The quick attach pins on newer traction units no longer need the hairpin cotters.

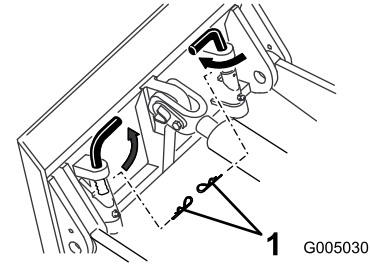


Figure 9

1. Hairpin cotters

- To reduce wear on the traction unit drive chain (if your model has one), tighten the chain so there is only 5 cm (2 inches) of slack on the upper span (refer to your traction unit *Operator's Manual* for instructions).
- Clean the area of trash, branches, and rocks before plowing to prevent equipment damage.
- Always begin plowing with the slowest ground speed possible. Increase speed if conditions permit, but do not allow the tires or tracks to spin. Spinning the tracks or tires causes turf damage and places stress on the traction unit.
- Always use full throttle (maximum engine speed) when plowing.
- Always plow backward (in reverse).
- If your traction unit has a speed selector and a flow divider, move the speed selector to slow (turtle) and the flow divider to the 10 o'clock position.
- Avoid sharp turns when plowing to increase productivity and minimize ground disturbance.
- If your traction unit has tires and you have the agricultural or Sitework Systems tires installed on the traction unit, remove the tires and move the right-side tires to the left and the left-side tires to the right.

Note: This ensures that the tire tread points to the rear to give you the most traction when using the vibratory plow.

Maintenance

Recommended Maintenance Schedule(s)

Maintenance Service Interval	Maintenance Procedure
Before each use or daily	<ul style="list-style-type: none"> Grease the plow.
Every 25 hours	<ul style="list-style-type: none"> Check the gear-lube level.
Every 200 hours	<ul style="list-style-type: none"> Change the gear lube.
Before storage	<ul style="list-style-type: none"> Grease the plow. Check the gear lube level. Paint chipped surfaces.

⚠ CAUTION

If you leave the key in the ignition switch, someone could start the engine. Accidental starting of the engine could seriously injure you or bystanders.

Remove the key from the ignition switch before you do any maintenance.

Greasing the Plow

Service Interval: Before each use or daily

Before storage

Grease 6 fittings, as shown in [Figure 10](#) through [Figure 13](#), every 8 operating hours. Grease all fittings immediately after every washing.

Grease Type: General-purpose grease

1. Stop the engine and remove the key.
2. Clean the grease fittings with a rag.
3. Connect a grease gun to each fitting.
4. Pump grease into the fittings until grease begins to ooze out of the bearings.
5. Wipe up any excess grease.

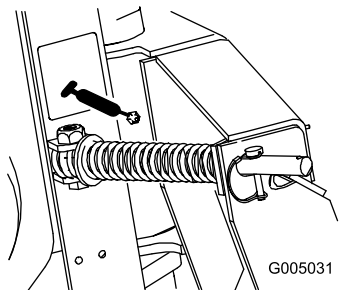


Figure 10

g005031

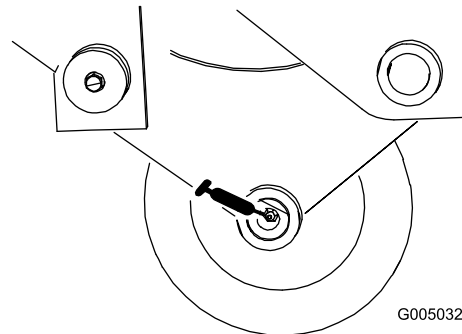


Figure 11

g005032

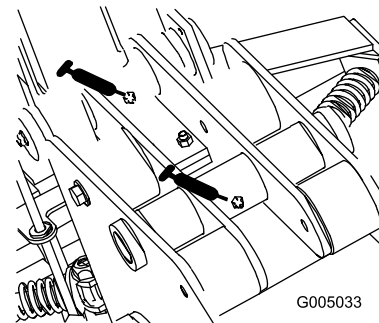


Figure 12

g005033

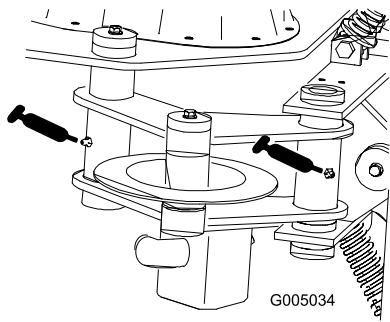


Figure 13

Servicing the Gear Lube

Check the gear-lubrication-oil level in the gear case every 25 operating hours and change it every 200 operating hours or once a year, whichever occurs first.

Gear-lube type: SAE 90-140 API service GL-4 or GL-5

Refill capacity: 3 pints

Checking the Gear Lube Level

Service Interval: Every 25 hours

Before storage

1. Position the traction unit and plow on a level surface and lower the attachment lift so that the plow is on the ground.
2. Stop the engine and remove the key.
3. Check the clear glass gauge on the side of the gear case (Figure 14).

Note: The gear lube should be at the level of the red dot in the center of the gauge.

4. If the gear-lube level is low, remove the fill plug (Figure 14) and fill the case with gear lube until it is level with the red dot in the gauge.

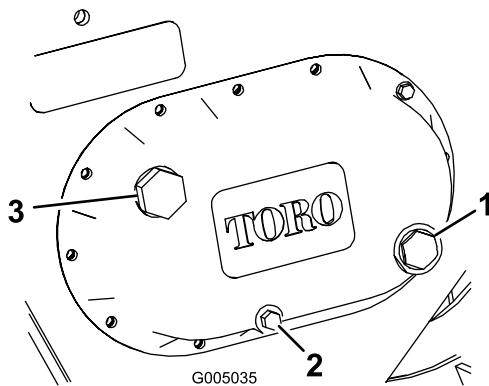


Figure 14

- | | |
|----------------|--------------|
| 1. Glass gauge | 3. Fill plug |
| 2. Drain plug | |

5. Replace the fill plug.

Changing the Gear Lube

Service Interval: Every 200 hours

1. Position the traction unit and plow on a level surface and lower the attachment lift so that the plow is on the ground.
2. Stop the engine and remove the key.
3. Prepare an appropriate container to catch the used oil under the plow.
4. Remove the drain plug (Figure 14), allowing the oil to spill out into the container.
5. When finished, replace the drain plug, ensuring that it is tight.
6. Remove the fill plug (Figure 14) and fill the case with gear lube until it is level with the red dot in the gauge.
7. Replace the fill plug.

Replacing the Coulter

If the coulter becomes excessively worn or damaged, replace it.

1. Back out the coulter-pin screw about 1.3 cm (0.5 inch), then strike it several times with a hammer to loosen the pin (Figure 15).

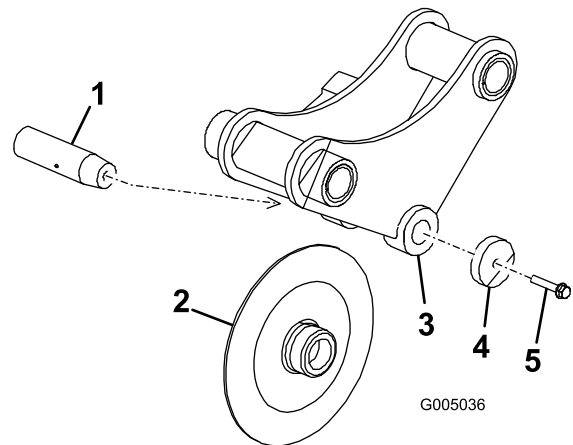


Figure 15

- | | |
|--------------------|----------------------|
| 1. Coulter pin | 4. Washer |
| 2. Coulter | 5. Coulter-pin screw |
| 3. Coulter bracket | |

2. Completely remove the coulter-pin screw, washer, coulter, and coulter pin (Figure 15).
3. Put the new coulter into the coulter bracket (Figure 15).
4. Slide the coulter pin through the bracket and coulter and secure it with the coulter-pin screw and washer (Figure 15).
5. Torque the screw to 45 ft-lb (61 N-m).

Storage

1. Before long-term storage, wash the attachment with mild detergent and water to remove dirt and grime.
2. Grease the plow.
3. Check gear-case lubrication.
4. Check and tighten all bolts, nuts, and screws. Repair or replace any damaged or worn part.
5. Ensure that all hydraulic couplers are connected together to prevent contamination of the hydraulic system.
6. Paint all scratched or bare metal surfaces. Paint is available from your Authorized Service Dealer.
7. Store the attachment in a clean, dry garage or storage area. Cover it to protect it and keep it clean.

Troubleshooting

Problem	Possible Cause	Corrective Action
The plow does not operate.	<ol style="list-style-type: none"><li data-bbox="581 212 1034 268">1. The hydraulic coupler is not completely connected.<li data-bbox="581 279 963 310">2. A hydraulic coupler is damaged.<li data-bbox="581 338 1019 394">3. There is an obstruction in a hydraulic hose.<li data-bbox="581 405 906 436">4. A hydraulic hose is kinked.<li data-bbox="581 436 1027 489">5. The auxiliary valve on the traction unit is not opening.	<ol style="list-style-type: none"><li data-bbox="1057 212 1425 243">1. Check and tighten all couplers.<li data-bbox="1057 279 1487 336">2. Check the couplers and replace any that are damaged.<li data-bbox="1057 338 1450 369">3. Find and remove the obstruction.<li data-bbox="1057 405 1360 436">4. Replace the kinked hose<li data-bbox="1057 436 1279 468">5. Repair the valve.

Declaration of Incorporation

The Toro Company, 8111 Lyndale Avenue South, Bloomington, MN, USA declares that the following unit(s) conform(s) to the directives listed, when installed in accordance with the accompanying instructions onto certain Toro models as indicated on the relevant Declarations of Conformity.

Model No.	Serial No.	Product Description	Invoice Description	General Description	Directive
22911	315000001 and Up	Vibratory Plow	VIBRATORY PLOW ATTACHMENT CE	Vibratory Plow	2006/42/EC

Relevant technical documentation has been compiled as required per Part B of Annex VII of 2006/42/EC.

We will undertake to transmit, in response to requests by national authorities, relevant information on this partly completed machinery. The method of transmission shall be electronic transmittal.

This machinery shall not be put into service until incorporated into approved Toro models as indicated on the associated Declaration of Conformity and in accordance with all instructions, whereby it can be declared in conformity with all relevant Directives.

Certified:



Joe Hager
Sr. Engineering Manager
8111 Lyndale Ave. South
Bloomington, MN 55420, USA
March 17, 2015

EU Technical Contact:

Marcel Dutrieux
Manager European Product Integrity
Toro Europe NV
Nijverheidsstraat 5
2260 Oevel
Belgium
Tel. +32 16 386 659

International Distributor List

Distributor:	Country:	Phone Number:	Distributor:	Country:	Phone Number:
Agrolanc Kft	Hungary	36 27 539 640	Maquiver S.A.	Colombia	57 1 236 4079
Balama Prima Engineering Equip.	Hong Kong	852 2155 2163	Maruyama Mfg. Co. Inc.	Japan	81 3 3252 2285
B-Ray Corporation	Korea	82 32 551 2076	Mountfield a.s.	Czech Republic	420 255 704 220
Casco Sales Company	Puerto Rico	787 788 8383	Mountfield a.s.	Slovakia	420 255 704 220
Ceres S.A.	Costa Rica	506 239 1138	Munditol S.A.	Argentina	54 11 4 821 9999
CSSC Turf Equipment (pvt) Ltd.	Sri Lanka	94 11 2746100	Norma Garden	Russia	7 495 411 61 20
Cyril Johnston & Co.	Northern Ireland	44 2890 813 121	Oslinger Turf Equipment SA	Ecuador	593 4 239 6970
Cyril Johnston & Co.	Republic of Ireland	44 2890 813 121	Oy Hako Ground and Garden Ab	Finland	358 987 00733
Equiver	Mexico	52 55 539 95444	Parkland Products Ltd.	New Zealand	64 3 34 93760
Femco S.A.	Guatemala	502 442 3277	Perfetto	Poland	48 61 8 208 416
ForGarder OU	Estonia	372 384 6060	Pratoverde SRL.	Italy	39 049 9128 128
G.Y.K. Company Ltd.	Japan	81 726 325 861	Prochaska & Cie	Austria	43 1 278 5100
Geomechaniki of Athens	Greece	30 10 935 0054	RT Cohen 2004 Ltd.	Israel	972 986 17979
Golf international Turizm	Turkey	90 216 336 5993	Riversa	Spain	34 9 52 83 7500
Guandong Golden Star	China	86 20 876 51338	Lely Turfcare	Denmark	45 66 109 200
Hako Ground and Garden	Sweden	46 35 10 0000	Solvart S.A.S.	France	33 1 30 81 77 00
Hako Ground and Garden	Norway	47 22 90 7760	Spypros Stavrinides Limited	Cyprus	357 22 434131
Hayter Limited (U.K.)	United Kingdom	44 1279 723 444	Surge Systems India Limited	India	91 1 292299901
Hydroturf Int. Co Dubai	United Arab Emirates	97 14 347 9479	T-Markt Logistics Ltd.	Hungary	36 26 525 500
Hydroturf Egypt LLC	Egypt	202 519 4308	Toro Australia	Australia	61 3 9580 7355
Irrimac	Portugal	351 21 238 8260	Toro Europe NV	Belgium	32 14 562 960
Irrigation Products Int'l Pvt Ltd.	India	0091 44 2449 4387	Valtech	Morocco	212 5 3766 3636
Jean Heybroek b.v.	Netherlands	31 30 639 4611	Victus Emak	Poland	48 61 823 8369

European Privacy Notice

The Information Toro Collects

Toro Warranty Company (Toro) respects your privacy. In order to process your warranty claim and contact you in the event of a product recall, we ask you to share certain personal information with us, either directly or through your local Toro company or dealer.

The Toro warranty system is hosted on servers located within the United States where privacy law may not provide the same protection as applies in your country.

BY SHARING YOUR PERSONAL INFORMATION WITH US, YOU ARE CONSENTING TO THE PROCESSING OF YOUR PERSONAL INFORMATION AS DESCRIBED IN THIS PRIVACY NOTICE.

The Way Toro Uses Information

Toro may use your personal information to process warranty claims, to contact you in the event of a product recall and for any other purpose which we tell you about. Toro may share your information with Toro's affiliates, dealers or other business partners in connection with any of these activities. We will not sell your personal information to any other company. We reserve the right to disclose personal information in order to comply with applicable laws and with requests by the appropriate authorities, to operate our systems properly or for our own protection or that of other users.

Retention of your Personal Information

We will keep your personal information as long as we need it for the purposes for which it was originally collected or for other legitimate purposes (such as regulatory compliance), or as required by applicable law.

Toro's Commitment to Security of Your Personal Information

We take reasonable precautions in order to protect the security of your personal information. We also take steps to maintain the accuracy and current status of personal information.

Access and Correction of your Personal Information

If you would like to review or correct your personal information, please contact us by email at legal@toro.com.

Australian Consumer Law

Australian customers will find details relating to the Australian Consumer Law either inside the box or at your local Toro Dealer.



The Toro Underground Warranty

Underground
Equipment

A Limited Warranty

Conditions and Products Covered

The Toro Company and its affiliate, Toro Warranty Company, pursuant to an agreement between them, jointly warrant your Toro Underground Equipment ("Product") to be free from defects in materials or workmanship. Where a warrantable condition exists, we will repair the Product at no cost to you including diagnostics, labor, and parts. The following warranty applies from the date the Product is delivered to the original retail purchaser or rental owner.

Products

Engine Powered Units & Fluid Mixers

All Serialized Attachments

Rock Hammer

Engines

Warranty Period

1 year or 1000 operating hours, whichever occurs first

1 year

6 months

Through engine manufacturers:
2 years or 2000 operating hours, whichever occurs first

drive, or track chains, track pads, drive sprockets, idlers, rollers, blades, cutting edges, or other ground engaging components.

- Failures caused by outside influence. Conditions considered to be outside influence include, but are not limited to, weather, storage practices, contamination, use of unapproved fuels, coolants, lubricants, additives, water, or chemicals, etc.
- Failure or performance issues due to the use of fuels (e.g. gasoline, diesel, or biodiesel) that do not conform to their respective industry standards.
- Normal noise, vibration, wear and tear, and deterioration.
- Normal "wear and tear" includes, but is not limited to, damage to seats due to wear or abrasion, worn painted surfaces, scratched decals, etc.
- Hauling expenses, travel time, mileage, or overtime associated with transporting product to the authorized Toro dealer.

Instructions for Obtaining Warranty Service

You are responsible for notifying the Underground Dealer from whom you purchased the Product as soon as you believe a warrantable condition exists. If you need help locating a Underground Dealer, or if you have questions regarding your warranty rights or responsibilities, you may contact us at:

Toro Customer Care
Toro Warranty Company
8111 Lyndale Avenue South
Bloomington, MN 55420-1196
Toll Free at 855-493-0088 (U.S. Customers)
1-952-948-4318 (International Customers)

Owner Responsibilities

As the Product owner, you are responsible for required maintenance and adjustments stated in your *Operator's Manual*. Failure to perform required maintenance and adjustments can be grounds for disallowing a warranty claim.

Items and Conditions Not Covered

Not all product failures or malfunctions that occur during the warranty period are defects in materials or workmanship. This warranty does not cover the following:

- Product failures which result from the use of non-Toro replacement parts, or from installation and use of add-on, or modified non-Toro branded accessories and products. A separate warranty may be provided by the manufacturer of these items.
- Product failures which result from failure to perform recommended maintenance and/or adjustments. Failure to properly maintain your Toro product per the Recommended Maintenance listed in the *Operator's Manual* can result in claims for warranty being denied.
- Product failures which result from operating the Product in an abusive, negligent, or reckless manner.
- Parts subject to consumption through use unless found to be defective. Examples of parts which are consumed, or used up, during normal Product operation include, but are not limited to: brakes, filters, lights, bulbs, belts, tracks or tires, digging teeth, digging booms, digging,

Parts

Parts scheduled for replacement as required maintenance in the *Operator's Manual*, are warranted for the period of time up to the scheduled replacement time for that part. Parts replaced under this warranty are covered for the duration of the original product warranty and become the property of Toro. Toro will make the final decision whether to repair any existing part or assembly or replace it. Toro may use remanufactured parts for warranty repairs.

Maintenance is at Owner's Expense

Engine tune-up, lubrication, cleaning and polishing, replacement of filters, coolant, and completing recommended maintenance are some of the normal services Toro products require that are at the owner's expense.

General Conditions

Repair by an Authorized Toro Underground Dealer is your sole remedy under this warranty.

Neither The Toro Company nor Toro Warranty Company is liable for indirect, incidental or consequential damages in connection with the use of the Toro Products covered by this warranty, including any cost or expense of providing substitute equipment or service during reasonable periods of malfunction or non-use pending completion of repairs under this warranty. Except for the Emissions warranty referenced below, if applicable, there is no other express warranty. All implied warranties of merchantability and fitness for use are limited to the duration of this express warranty.

Some states do not allow exclusions of incidental or consequential damages, or limitations on how long an implied warranty lasts, so the above exclusions and limitations may not apply to you. This warranty gives you specific legal rights, and you may also have other rights which vary from state to state.

Note regarding engine warranty:

The Emissions Control System on your Product may be covered by a separate warranty meeting requirements established by the U.S. Environmental Protection Agency (EPA) and/or the California Air Resources Board (CARB). The hour limitations set forth above do not apply to the Emissions Control System Warranty. Refer to the Engine Emission Control Warranty Statement supplied with your product or contained in the engine manufacturer's documentation for details.

Countries Other than the United States or Canada

Customers who have purchased Toro products exported from the United States or Canada should contact their Toro Distributor (Dealer) to obtain guarantee policies for your country, province, or state. If for any reason you are dissatisfied with your Underground Dealer's service or have difficulty obtaining guarantee information, contact the Toro importer.

Australian Consumer Law: Australian customers will find details relating to the Australian Consumer Law either inside the box or at your local Toro Dealer.