



**Count on it.**

**Parts Catalog**

**MMX-658H-S**

**Mortar Mixer**

Model No. 60216—Serial No. 40000000 and Up



# Ordering Replacement Parts

To order replacement parts, please supply the part number, the quantity, and the description of each part desired.

## Understanding Reference Numbers

Each identified part in an illustration has a reference number. The reference number for a part also appears in the parts list, along with other information about the part.

This catalog uses two special reference number formats, one to indicate parts in a service assembly and another to indicate the quantity of a given part in an illustration.

## Service Assembly Reference Numbers

Parts in service assemblies have reference numbers in the form a:b. The a represents the reference number of the entire service assembly and the b represents a sequential number unique to each part within the service assembly.

For example, a wheel assembly might be identified by reference number 6, the tire by 6:1, the valve by 6:2, and the wheel by 6:3. When you order the assembly identified by reference number 6, you receive all parts identified by reference numbers 6:1, 6:2, and 6:3. However, you may also order any part individually. Reference numbers of this type appear in illustration and in parts lists.

## Reference Numbers Indicating Quantity

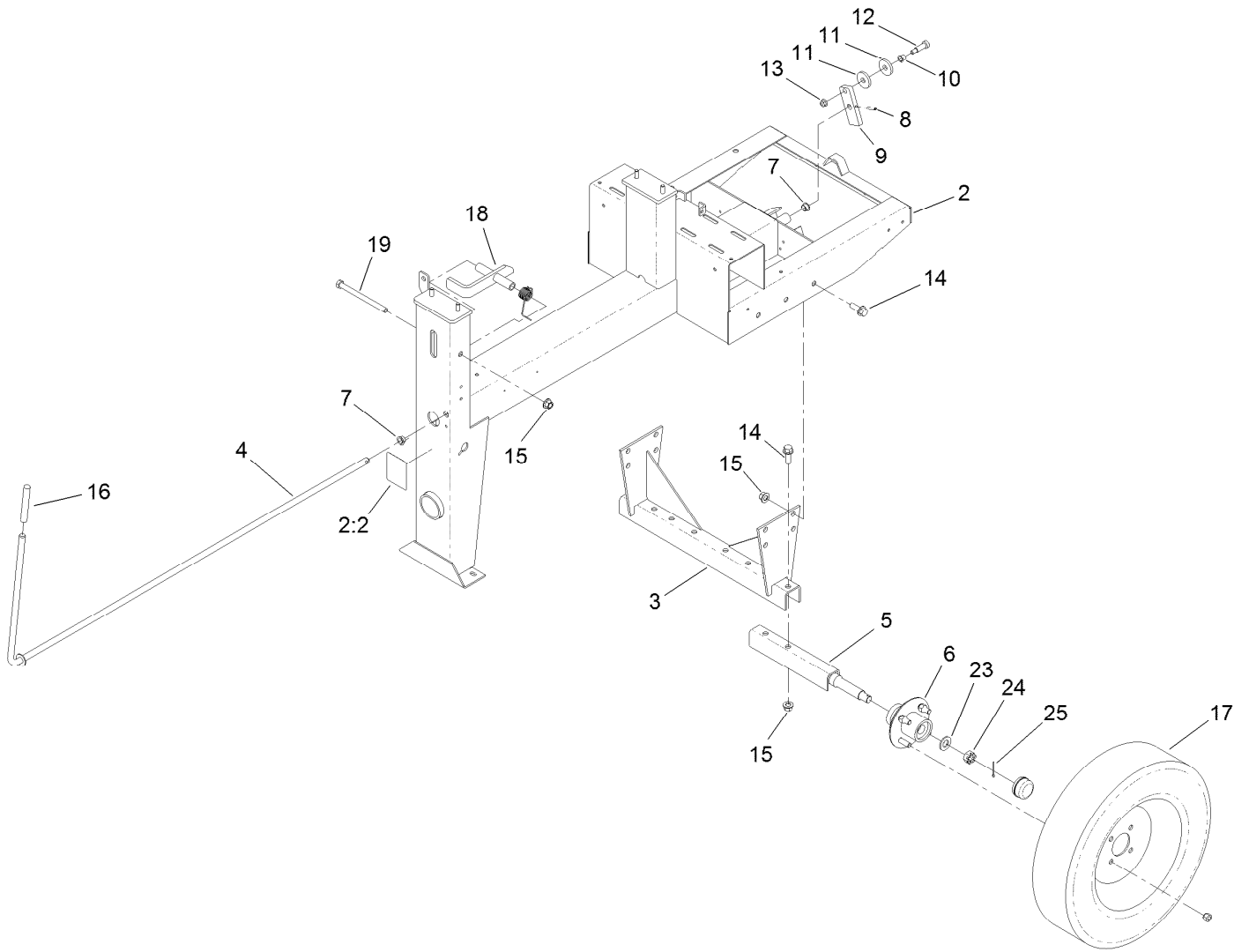
In an illustration, if a reference number indicates more than one part, the reference number has the form nX y. The n represents the quantity of the part, the X is the multiplication symbol, and the y represents the reference number.

For example, in an illustration, the reference number 2X 37 means that two of the parts identified by reference number 37 are indicated.

# Contents

|   |    |
|---|----|
| Frame and Axle Assembly .....           | 4  |
| Hub Assembly No. 125-8171 .....         | 6  |
| Drum, Paddle and Bearing Assembly ..... | 8  |
| Drive Assembly .....                    | 10 |
| Pinion Assembly No. 131-5704 .....      | 12 |
| Cowl Assembly .....                     | 14 |
| Attachments and Accessories .....       | 16 |

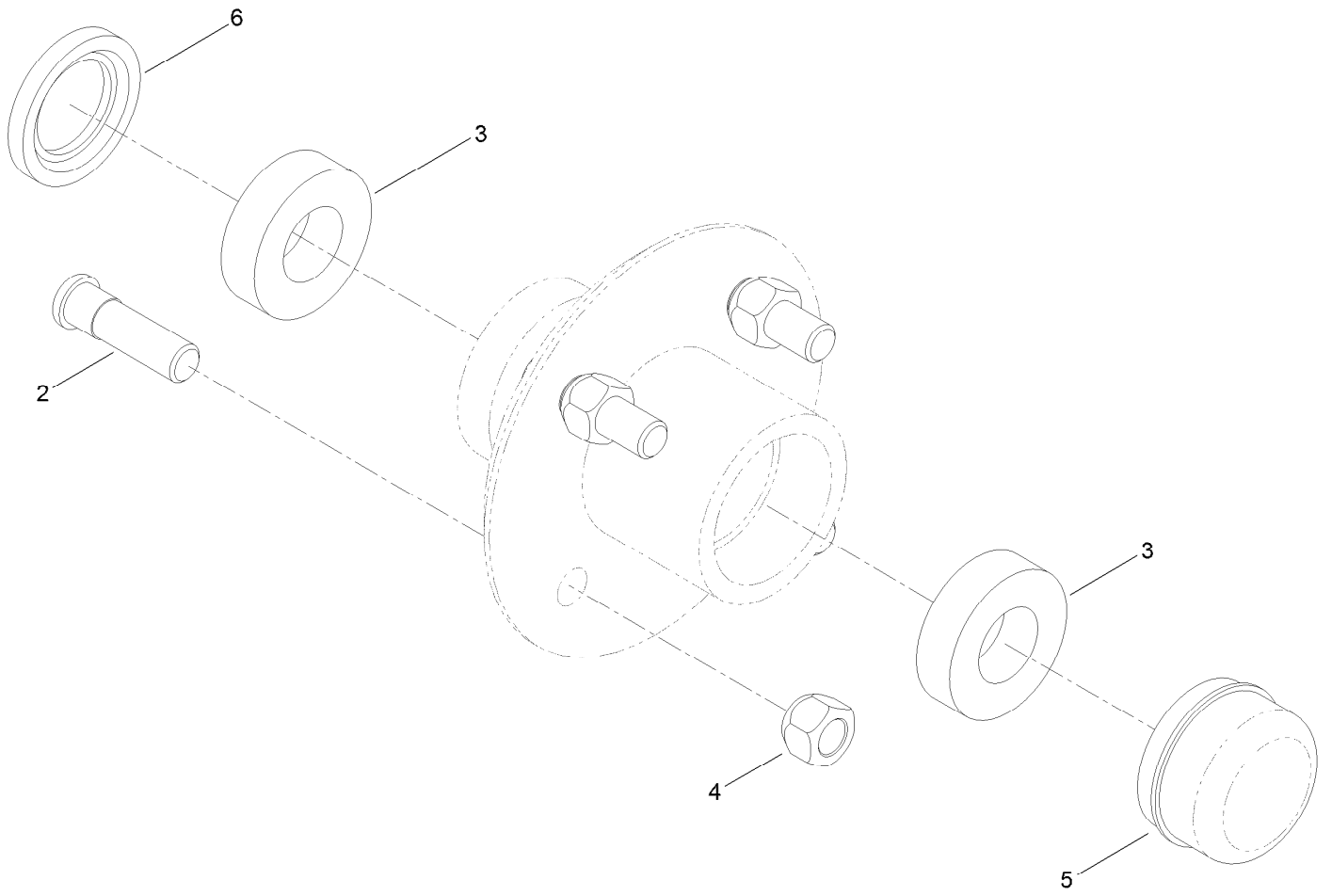
# Frame and Axle Assembly



## Frame and Axle Assembly (continued)

| <i>Ref.</i> | <i>Part Number</i> | <i>Qty.</i> | <i>Description</i>         | <i>Ref.</i> | <i>Part Number</i> | <i>Qty.</i> | <i>Description</i> |
|-------------|--------------------|-------------|----------------------------|-------------|--------------------|-------------|--------------------|
| 2           | 131-7532           | 1           | Frame ASM                  | 12          | ST81153            | 1           | Screw-HSBH         |
| 2:2         | 125-8216           | 1           | Decal-Safety Chain, Towing | 13          | 104-8301           | 1           | Nut-Flange, NI     |
| 3           | 125-8219-03        | 1           | Support-Axle               | 14          | 100-6116           | 8           | Screw-HHF          |
| 4           | 131-5251-03        | 1           | Lever-Clutch               | 15          | 99-5107            | 9           | Nut-Lock           |
| 5           | ST22512-03         | 2           | Axle-Half                  | 16          | ST34687            | 1           | Grip-Handle        |
| 6           | 125-8171           | 2           | Hub ASM                    | 17          | ST32306            | 2           | Tire And Rim ASM   |
| 7           | ST32116            | 2           | Bushing-Flange             | 18          | 132-7154-03        | 1           | Latch-Drum         |
| 8           | 32121-69           | 1           | Pin-Spring                 | 19          | 325-33             | 1           | Screw-HH           |
| 9           | ST39446            | 1           | Link-Clutch                | 23          | 3256-28            | 2           | Washer-Flat        |
| 10          | ST32099            | 1           | Bushing-Flange             | 24          | ST80054            | 2           | Nut                |
| 11          | ST26326            | 2           | Washer-Flat                | 25          | 3272-13            | 2           | Pin-Cotter         |

# Hub Assembly No. 125-8171

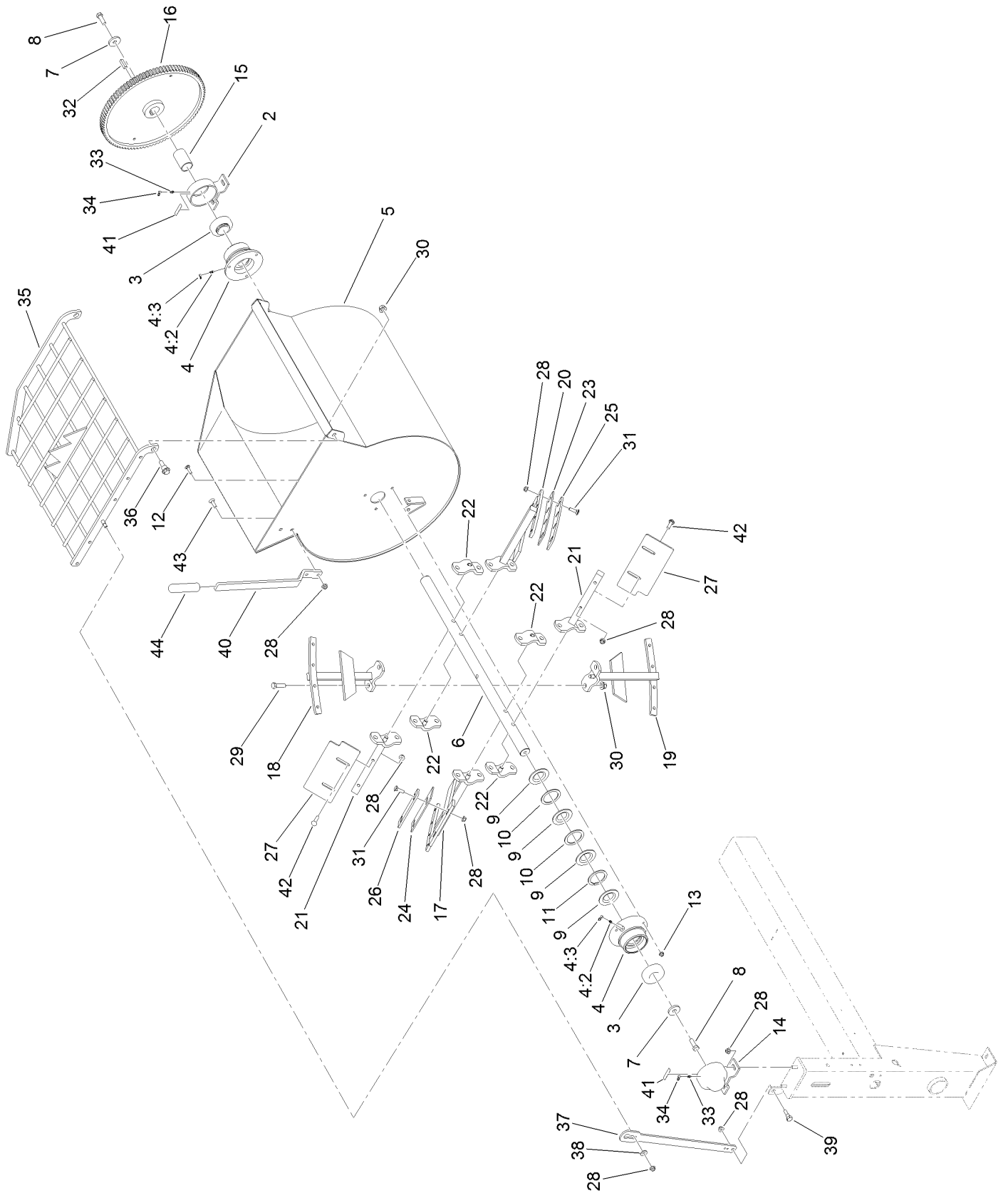


## Hub Assembly No. 125-8171 (continued)

| <i>Ref.</i> | <i>Part Number</i> | <i>Qty.</i> | <i>Description</i> |
|-------------|--------------------|-------------|--------------------|
| 2           | ST39190            | 4           | Stud-Wheel         |
| 3           | ST32233            | 2           | Bearing-Roller     |
| 4           | ST80045            | 4           | Nut-Lug            |

| <i>Ref.</i> | <i>Part Number</i> | <i>Qty.</i> | <i>Description</i> |
|-------------|--------------------|-------------|--------------------|
| 5           | ST34573            | 1           | Cap-Dust           |
| 6           | ST32052            | 1           | Seal-Hub, Wheel    |

# Drum, Paddle and Bearing Assembly

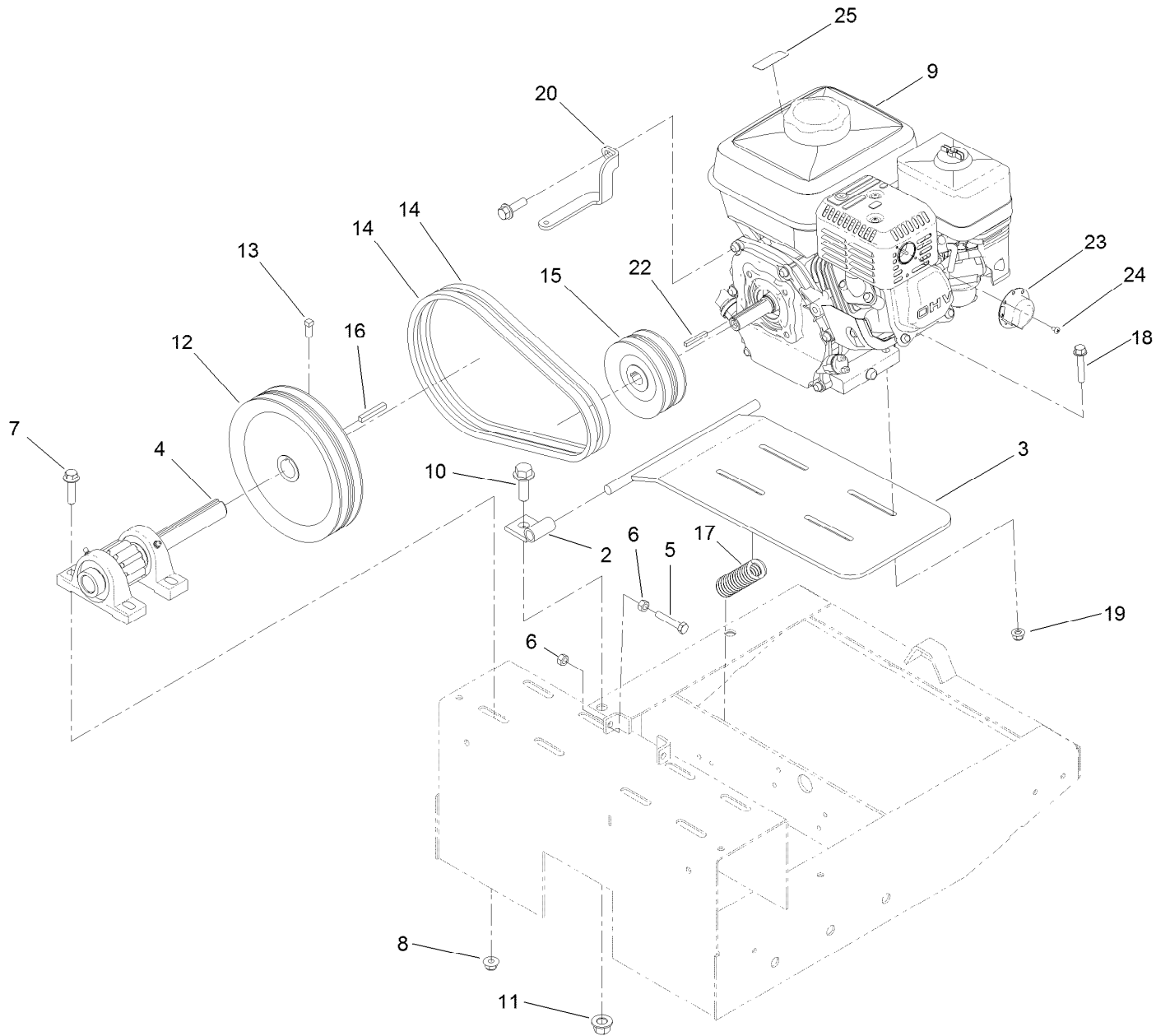




## Drum, Paddle and Bearing Assembly (continued)

| <i>Ref.</i> | <i>Part Number</i> | <i>Qty.</i> | <i>Description</i>   | <i>Ref.</i> | <i>Part Number</i> | <i>Qty.</i> | <i>Description</i>       |
|-------------|--------------------|-------------|----------------------|-------------|--------------------|-------------|--------------------------|
| 2           | ST24021-01         | 1           | Trunnion             | 23          | 131-5262           | 4           | Blade-Rubber, Top        |
| 3           | ST32003            | 2           | Bearing-Ball         | 24          | 131-5261           | 2           | Paddle-Rubber, Mixer End |
| 4           | 132-4117           | 2           | Kit-Housing, Bearing | 25          | 131-5285-01        | 4           | Plate-Backer, Top        |
| 4:2         | ST46042            | 1           | Fitting-Grease       | 26          | 131-5722-01        | 2           | BAR-Backer, End          |
| 4:3         | ST47001            | 1           | Cap-Plug             | 27          | 131-5717-01        | 2           | BAR-Backer, Pusher End   |
| 5           | 131-5231-01        | 1           | Drum                 | 28          | 104-8301           | 32          | Nut-Flange, NI           |
| 6           | 131-5237-01        | 1           | Shaft-Paddle         | 29          | 325-7              | 10          | Screw-HH                 |
| 7           | ST26326            | 2           | Washer-Flat          | 30          | 99-5107            | 12          | Nut-Lock                 |
| 8           | 325-6              | 2           | Screw-HH             | 31          | 3231-25            | 20          | Bolt-CARR                |
| 9           | ST32324            | 8           | Seal-Drum            | 32          | ST81060            | 1           | Key-Square               |
| 10          | ST24017            | 4           | Washer-Flat          | 33          | ST46042            | 4           | Fitting-Grease           |
| 11          | ST25881            | 2           | Washer-Split         | 34          | ST47001            | 4           | Cap-Plug                 |
| 12          | 3230-3             | 6           | Screw-CARR           | 35          | 131-5277-01        | 1           | Grate                    |
| 13          | 104-8300           | 6           | Nut-Flange, NI       | 36          | 116-0780           | 2           | Screw-Shoulder, HHF      |
| 14          | ST36574-01         | 1           | Trunnion-Capped      | 37          | 131-5288-03        | 1           | Arm-Lift, Grate          |
| 15          | 131-5276           | 1           | Spacer-Shaft         | 38          | 80-6990            | 1           | Washer-Hardened          |
| 16          | ST26933-03         | 1           | Gear-94 Teeth        | 39          | 80-1300            | 1           | Bolt-Shoulder            |
| 17          | 131-5278-01        | 1           | Paddle-Front         | 40          | 131-7527-01        | 1           | Handle-Dump              |
| 18          | 131-5281-01        | 1           | Paddle-Mid           | 41          | 125-8175           | 2           | Decal-Grease             |
| 19          | 131-5283-01        | 1           | Paddle-Mid           | 42          | 3231-29            | 4           | Screw-CARR               |
| 20          | 131-5284-01        | 1           | Paddle-Rear          | 43          | 3231-28            | 2           | Screw-CARR               |
| 21          | 130-2282-01        | 2           | Paddle-Pusher        | 44          | 104-9838           | 1           | Grip-Foam                |
| 22          | ST24107-01         | 4           | Clamp                |             |                    |             |                          |

# Drive Assembly

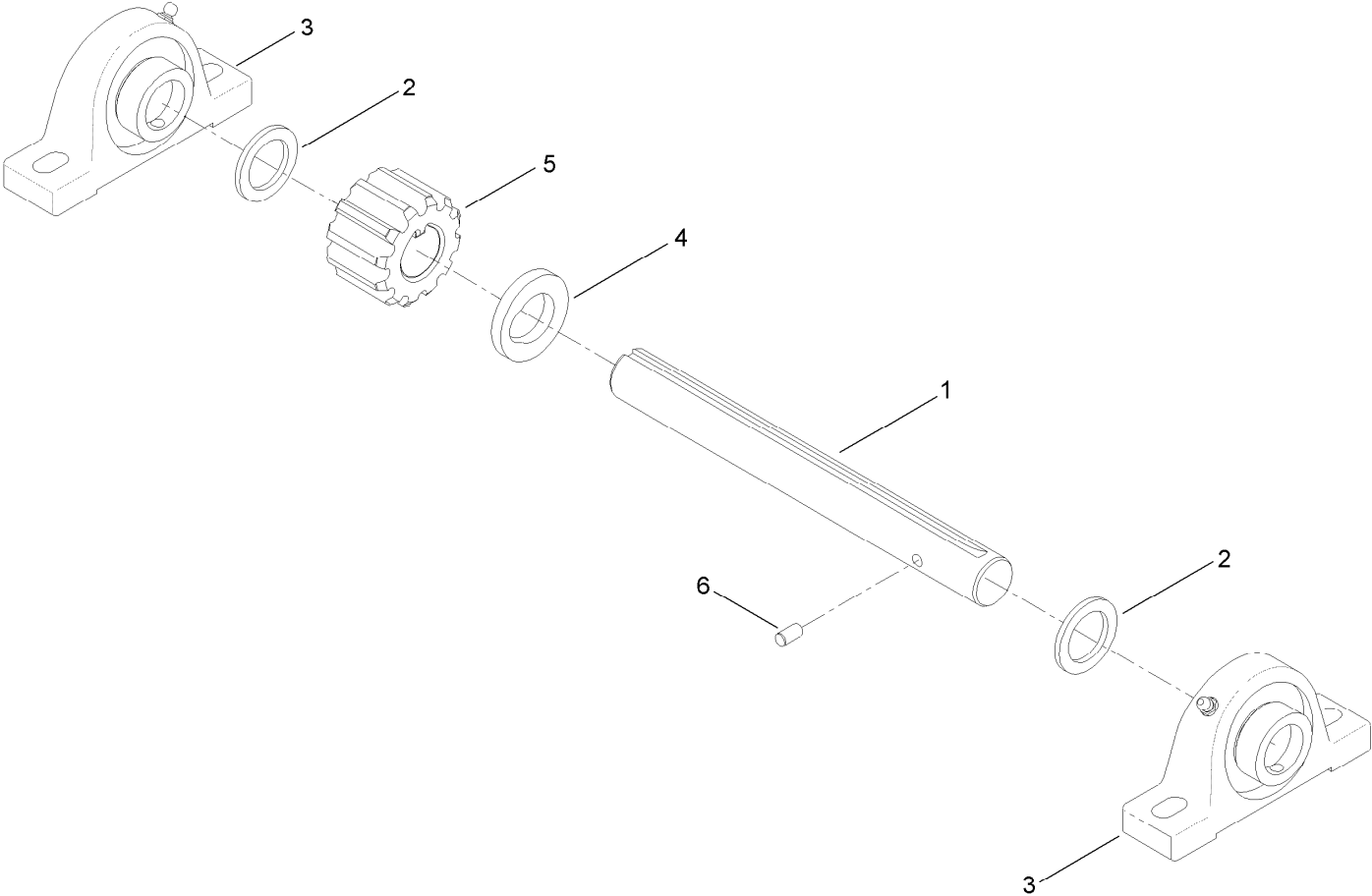


## Drive Assembly (continued)

| <i>Ref.</i> | <i>Part Number</i> | <i>Qty.</i> | <i>Description</i>    | <i>Ref.</i> | <i>Part Number</i> | <i>Qty.</i> | <i>Description</i>     |
|-------------|--------------------|-------------|-----------------------|-------------|--------------------|-------------|------------------------|
| 2           | ST57786-03         | 2           | Mount-Motor           | 14          | ST34052            | 2           | Belt-V                 |
| 3           | ST39557-03         | 1           | Base-Motor            | 15          | ST38449            | 1           | Sheave                 |
| 4           | 131-5704           | 1           | Pinion ASM            | 16          | 7-0238             | 1           | Key-Square             |
| 5           | 322-41             | 1           | Screw-HH              | 17          | ST34849            | 1           | Spring                 |
| 6           | 3217-6             | 2           | Nut-Hex               | 18          | 108-3742           | 4           | Screw-HHF              |
| 7           | 114-4681           | 4           | Screw-HHF             | 19          | 104-8301           | 4           | Nut-Flange, NI         |
| 8           | 104-8301           | 4           | Nut-Flange, NI        | 20          | 127-1665-03        | 1           | Guide-Belt             |
| 9           | 125-4812           | 1           | Engine-Honda, Gx240 ● | 22          | 7-0238             | 1           | Key-Square             |
| 10          | 100-6116           | 2           | Screw-HHF             | 23          | 120-1886           | 1           | Deflector-Exhaust      |
| 11          | 99-5107            | 2           | Nut-Lock              | 24          | 127-7578           | 3           | Screw-HWH              |
| 12          | ST38450            | 1           | Sheave                | 25          | 130-8322           | 1           | Decal-Warning, Ethanol |
| 13          | 120-6474           | 2           | Screw-Set, SQH        |             |                    |             |                        |

● Obtain parts from [www.honda-engines.com](http://www.honda-engines.com)

# Pinion Assembly No. 131-5704

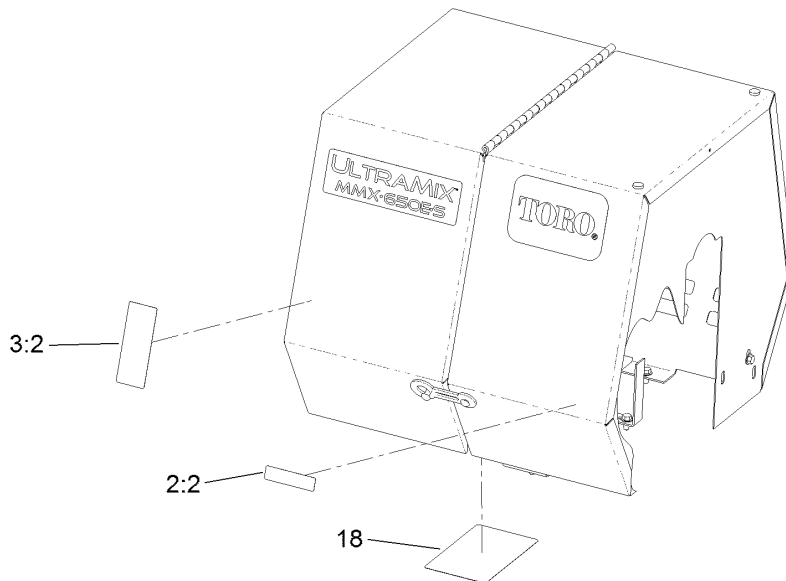
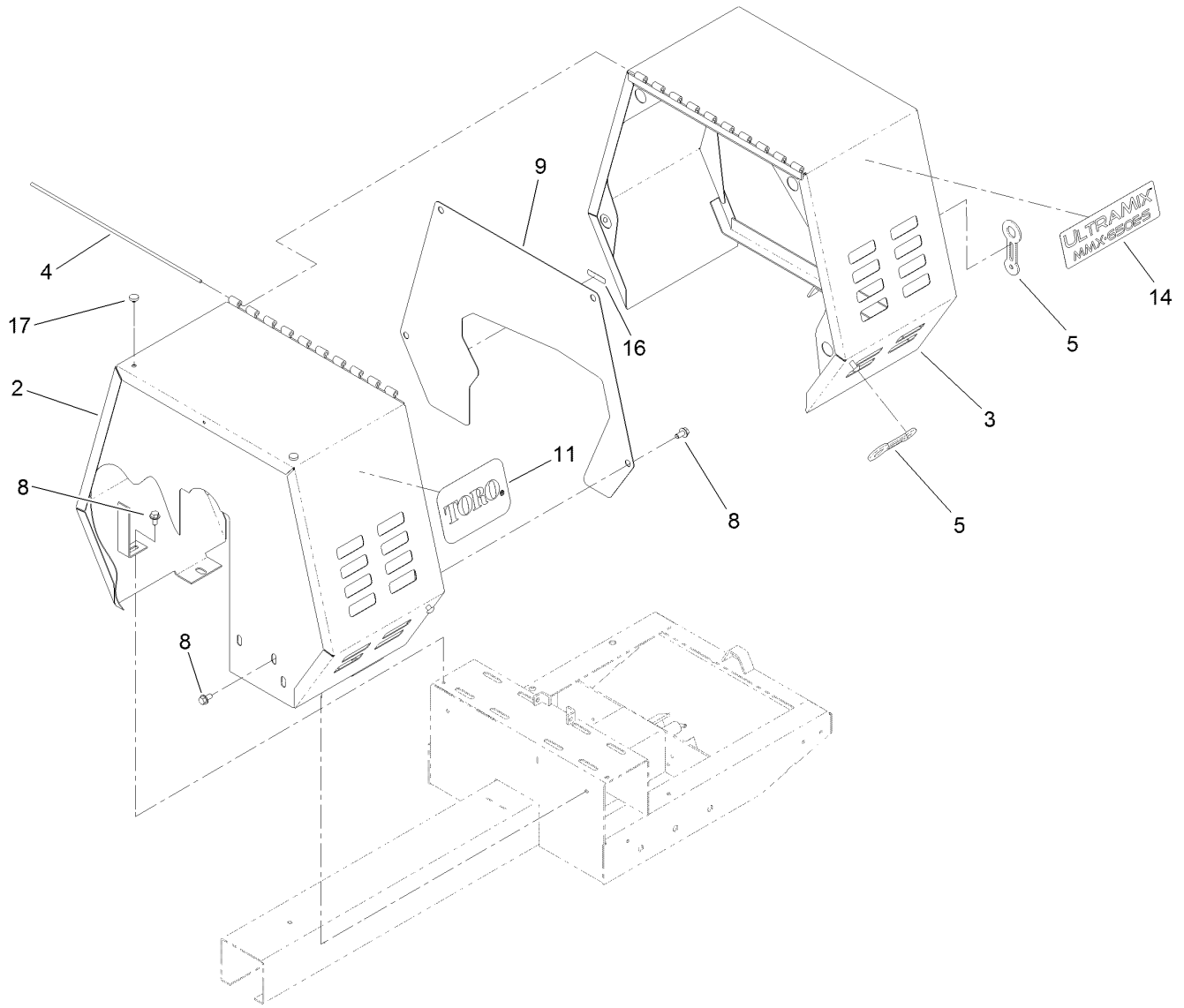


## Pinion Assembly No. 131-5704 (continued)

| <i>Ref.</i> | <i>Part Number</i> | <i>Qty.</i> | <i>Description</i>    |
|-------------|--------------------|-------------|-----------------------|
| 1           | 131-5705           | 1           | Shaft-Pinion          |
| 2           | 3-8514             | 2           | Washer-Thrust         |
| 3           | ST32208            | 2           | Bearing-Block, Pillow |

| <i>Ref.</i> | <i>Part Number</i> | <i>Qty.</i> | <i>Description</i> |
|-------------|--------------------|-------------|--------------------|
| 4           | 131-5706           | 1           | Washer             |
| 5           | ST57625            | 1           | Gear-Spur          |
| 6           | 95-0715            | 1           | Pin-Dowel          |

# Cowl Assembly



## Cowl Assembly (continued)

| <i>Ref.</i> | <i>Part Number</i> | <i>Qty.</i> | <i>Description</i>    | <i>Ref.</i> | <i>Part Number</i> | <i>Qty.</i> | <i>Description</i> |
|-------------|--------------------|-------------|-----------------------|-------------|--------------------|-------------|--------------------|
| 2           | 127-1683           | 1           | Stationary Cowl ASM   | 9           | 125-6214-03        | 1           | Plate-Access, Belt |
| 2:2         | 117-2718           | 1           | Decal-Arrester, Spark | 11          | 67-7320            | 2           | Decal              |
| 3           | 127-1685           | 1           | Movable Cowl ASM      | 14          | 131-5727           | 2           | Decal              |
| 3:2         | 125-4939           | 1           | Decal-Warning         | 16          | 125-8175           | 1           | Decal-Grease       |
| 4           | ST44368            | 1           | Pin                   | 17          | 1-513658           | 2           | Bumper             |
| 5           | ST47182            | 3           | Latch-Rubber          | 18          | 132-3993           | 1           | Decal-Service      |
| 8           | 110-9380           | 10          | Screw-HWH             |             |                    |             |                    |

# Attachments and Accessories

## For 60216 MMX-658H-S Mortar Mixer

| <b>Product Name</b>               | <b>Model/Part</b> |
|-----------------------------------|-------------------|
| 31in Forged Tow Pole Hitch .....  | 68056             |
| 31in Pintel Tow Pole Hitch .....  | 68058             |
| 31in Stamped Tow Pole Hitch ..... | 68060             |
| Trailer Light Kit.....            | 68062             |



**Notes:**

**Notes:**

**Notes:**



**Count on it.**