



Count on it.

Parts Catalog

**30in TurfMaster
Walk-Behind Lawn Mower**

Model No. 22210—Serial No. 316000001 and Up



Ordering Replacement Parts

To order replacement parts, please supply the part number, the quantity, and the description of each part desired.

Understanding Reference Numbers

Each identified part in an illustration has a reference number. The reference number for a part also appears in the parts list, along with other information about the part.

This catalog uses two special reference number formats, one to indicate parts in a service assembly and another to indicate the quantity of a given part in an illustration.

Service Assembly Reference Numbers

Parts in service assemblies have reference numbers in the form a:b. The a represents the reference number of the entire service assembly and the b represents a sequential number unique to each part within the service assembly.

For example, a wheel assembly might be identified by reference number 6, the tire by 6:1, the valve by 6:2, and the wheel by 6:3. When you order the assembly identified by reference number 6, you receive all parts identified by reference numbers 6:1, 6:2, and 6:3. However, you may also order any part individually. Reference numbers of this type appear in illustration and in parts lists.

Reference Numbers Indicating Quantity

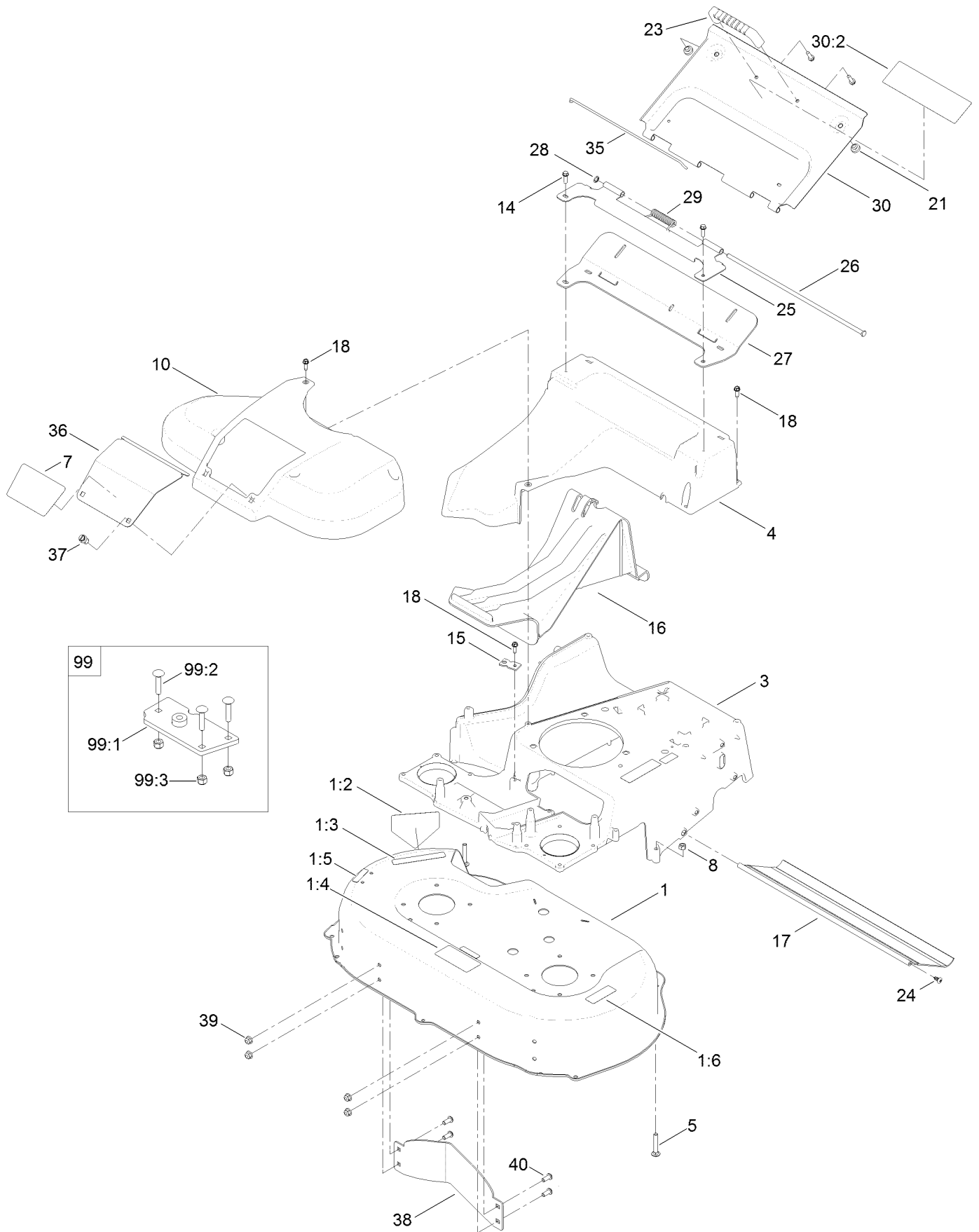
In an illustration, if a reference number indicates more than one part, the reference number has the form nX y. The n represents the quantity of the part, the X is the multiplication symbol, and the y represents the reference number.

For example, in an illustration, the reference number 2X 37 means that two of the parts identified by reference number 37 are indicated.

Contents

Deck, Frame and Chute Assembly	4
Spindle and Blade Assembly	6
Side Discharge Chute Assembly	8
Grass Bag Assembly	10
Engine and Fuel Tank Assembly	12
Front Bumper and Wheel Assembly	14
Traction and Height-of-Cut Assembly	16
Handle Assembly	18
Attachments and Accessories	20

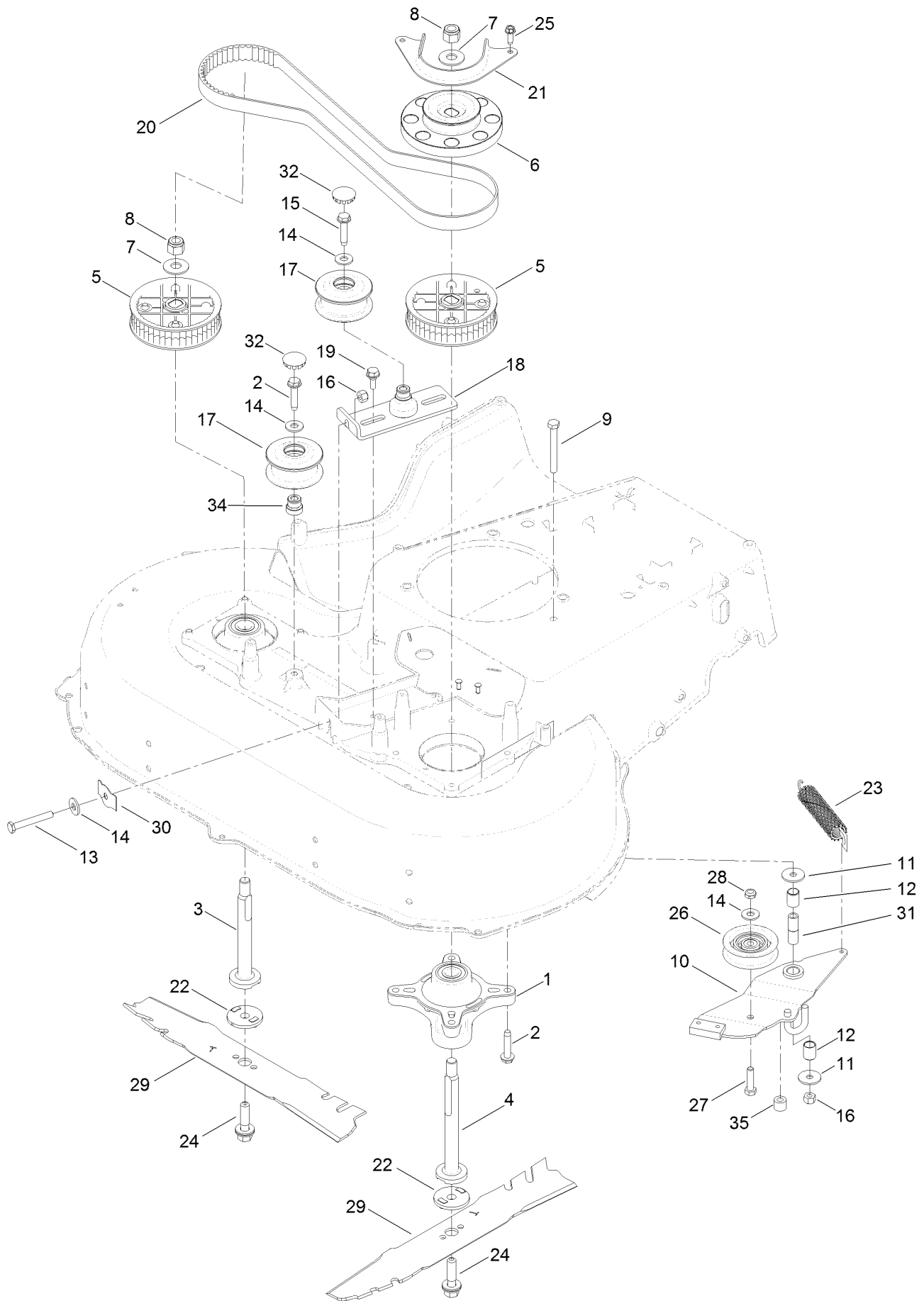
Deck, Frame and Chute Assembly



Deck, Frame and Chute Assembly (continued)

<i>Ref.</i>	<i>Part Number</i>	<i>Qty.</i>	<i>Description</i>	<i>Ref.</i>	<i>Part Number</i>	<i>Qty.</i>	<i>Description</i>
1	131-4543	1	Deck-30 Inch	24	117-1092	2	Screw-PTH
1:2	94-8072	1	Decal-Danger	25	116-6351-03	1	Bracket-Hinge
1:3	93-7009	1	Decal-Danger	26	116-6933	1	Pin-Hinge
1:4	116-8528	1	Decal	27	116-6229	1	Seal-Door
1:5	120-9570	2	Decal-Warning	28	32151-72	1	Ring-Retaining
1:6	121-1449	1	Decal-Warning, Block	29	116-7573	1	Spring-Torsion, Cover
3	127-6859-01	1	Frame	30	116-8355	1	Rear Door ASM
4	120-3336	1	Chute	30:2	116-7583	1	Decal-Warning
5	127-6841	2	Screw-CARR	35	116-6966	1	Clip-Seal
7	121-9191	1	Decal	36	121-5793-03	1	Door-Access
8	3296-29	2	Nut-Lock, NI	37	121-5840	2	Fastener
10	121-5810	1	Cover-Belt	38	130-2352-01	1	Baffle-Control
14	46-8091	4	Screw-HWH	39	104-8300	4	Nut-Flange, NI
15	107-7497	1	Bracket-Cable, Traction	40	3274-55	4	Screw-HSBH
16	120-5225	1	Plug-Mulch	99	125-5072	1	Frame Plate Kit (Service)
17	121-5841	1	Shield-Trailing	99:1	125-2542	1	Plate Frame ASM
18	49-2040	9	Screw-HWHTF	99:2	3229-3	3	Screw-CARR
21	1-513658	2	Bumper	99:3	3296-42	3	Nut-Lock, NI
23	65-5100	1	Handle-Door				

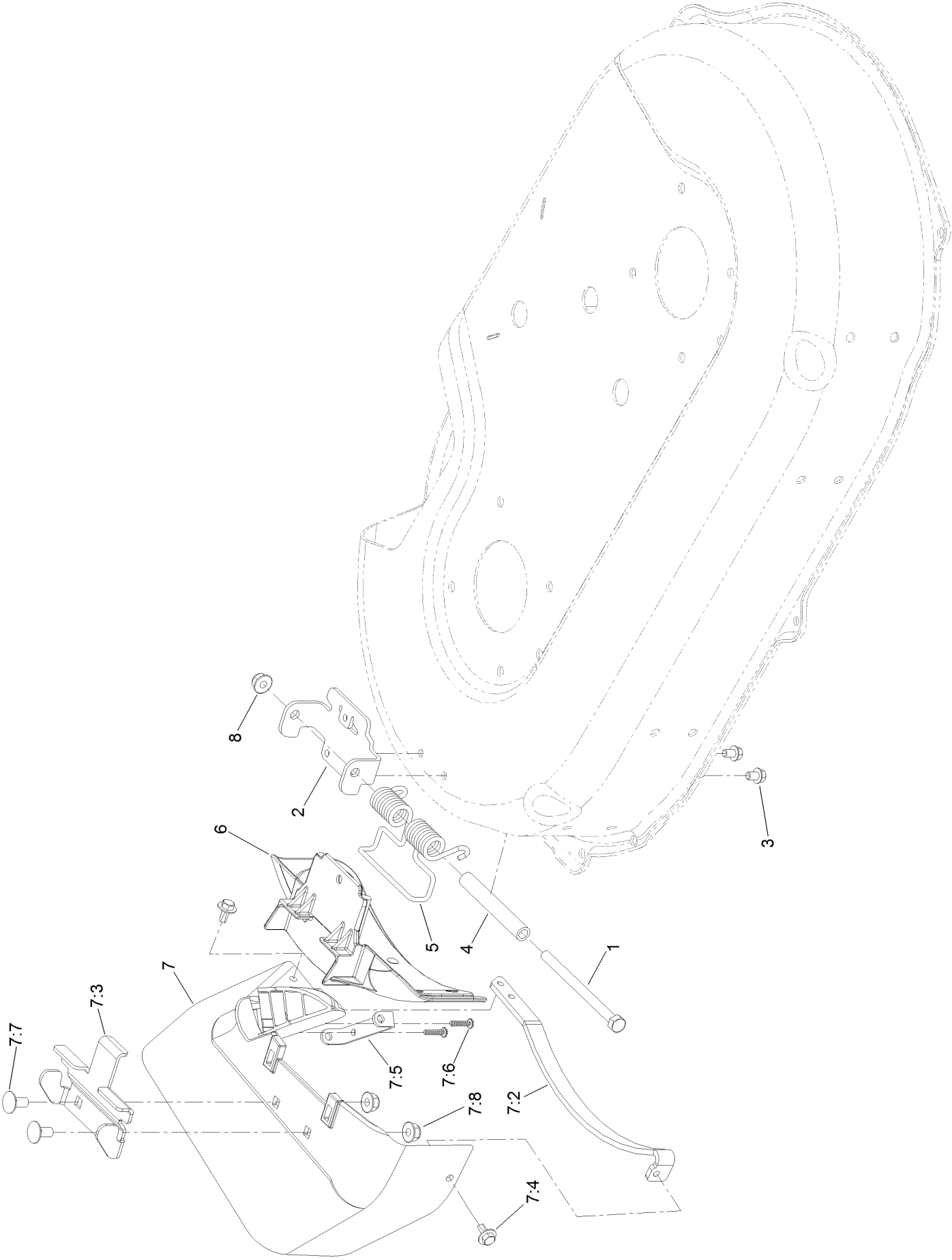
Spindle and Blade Assembly



Spindle and Blade Assembly (continued)

<i>Ref.</i>	<i>Part Number</i>	<i>Qty.</i>	<i>Description</i>	<i>Ref.</i>	<i>Part Number</i>	<i>Qty.</i>	<i>Description</i>
1	120-6234	2	Spindle ASM	18	126-6453	1	Bracket-Idler
2	32144-57	9	Screw	19	120-7024	2	Screw-Shoulder, HHF
3	120-5234	1	Shaft-Spindle	20	120-3335	1	Belt-Synchronous
4	120-5235	1	Shaft-Spindle	21	120-5245-03	1	Guide-Belt, Spindle
5	121-9100	2	Sprocket	22	120-5236	2	Adapter-Blade
6	130-6664	1	Pulley-Brake, Spindle	23	121-5808	1	Spring-Extension, Brake
7	109-9505	2	Washer-Spring	24	125-2466	2	Bolt-Blade
8	3296-19	2	Nut-Hex	25	49-2040	2	Screw-HWHTF
9	322-13	1	Screw-HH	26	120-7082	1	Pulley-Idler
10	133-2610	1	Brake Arm ASM	27	322-6	1	Screw-HH
11	5-4460	2	Washer-Pivot	28	3296-47	1	Nut-Lock, NI
12	131-0819	2	Bushing-Sleeve	29	116-6358-03	2	Blade-Rotary
13	9114524	1	Bolt-TAP, HH	30	121-2336	1	Spring-Flat
14	3256-3	4	Washer-Flat	31	131-0823	1	Spacer-Brake
15	322-7	1	Screw-HH	32	126-7151	2	Plug-Button
16	3296-29	3	Nut-Lock, NI	34	131-4504	1	Adapter-Bore
17	126-7892	2	Flat Idler Pulley ASM	35	133-1964	1	Hose-Coolant

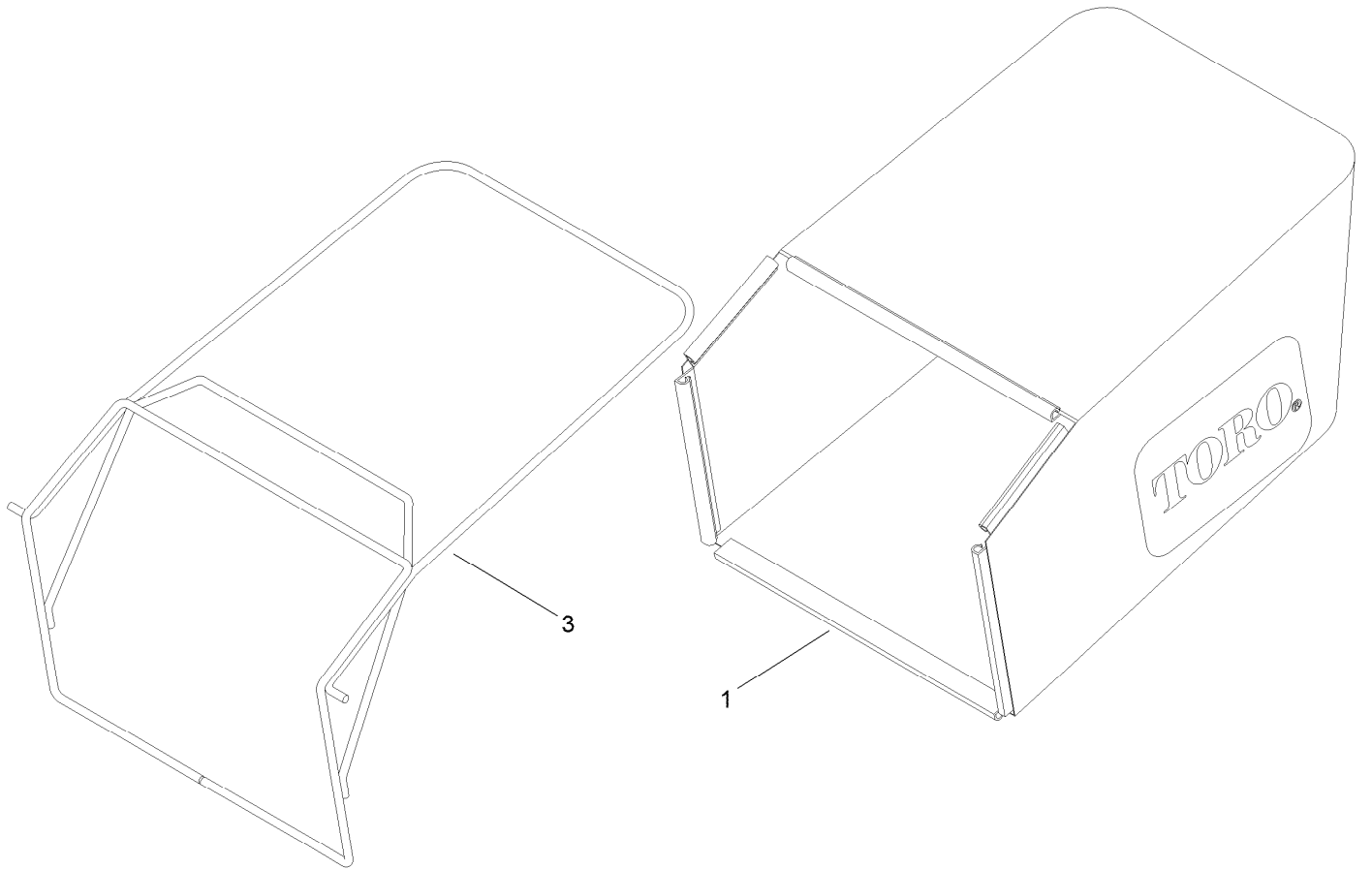
Side Discharge Chute Assembly



Side Discharge Chute Assembly (continued)

<i>Ref.</i>	<i>Part Number</i>	<i>Qty.</i>	<i>Description</i>	<i>Ref.</i>	<i>Part Number</i>	<i>Qty.</i>	<i>Description</i>
1	322-38	1	Screw-HH	7:3	121-9196	1	Bracket-Chute
2	121-9195	1	Hinge	7:4	46-8560	2	Screw-HHFTF
3	99-8445	2	Screw-HWH	7:5	112-6416	1	Bracket-Cover
4	125-2478	1	Spacer	7:6	94-4496	2	Screw-PPH
5	121-9193	1	Spring-Torsion	7:7	3230-18	2	Screw-CARR
6	125-5093-01	1	Cover-Discharge	7:8	104-8300	2	Nut-Flange, NI
7	116-9754	1	Side Discharge Chute ASM	8	104-8300	1	Nut-Flange, NI
7:2	116-9752-03	1	Guard-Chute				

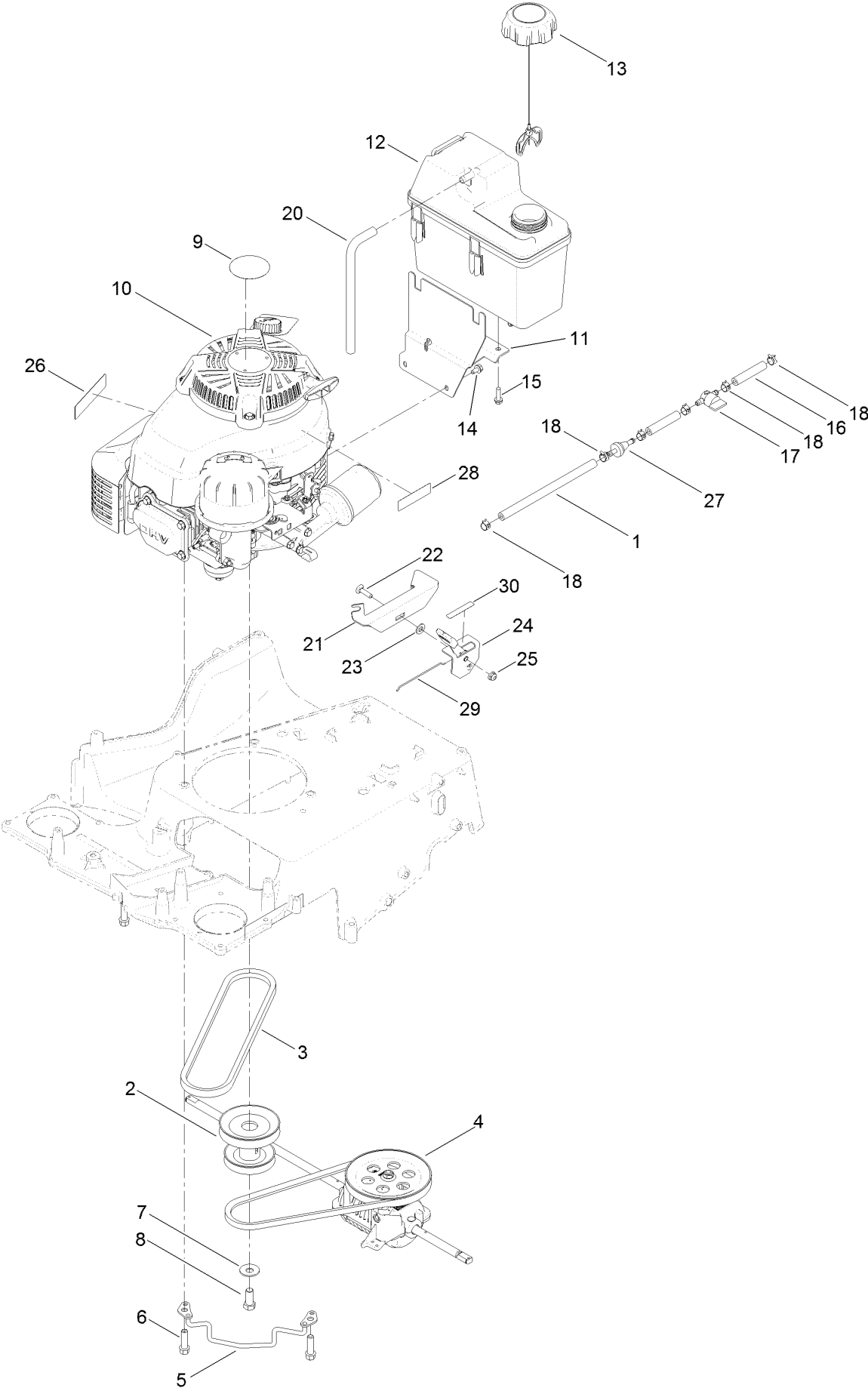
Grass Bag Assembly



Grass Bag Assembly (continued)

<i>Ref.</i>	<i>Part Number</i>	<i>Qty.</i>	<i>Description</i>
1	121-5775	1	Grass Bag ASM
3	116-5596-03	1	Frame-Bag

Engine and Fuel Tank Assembly



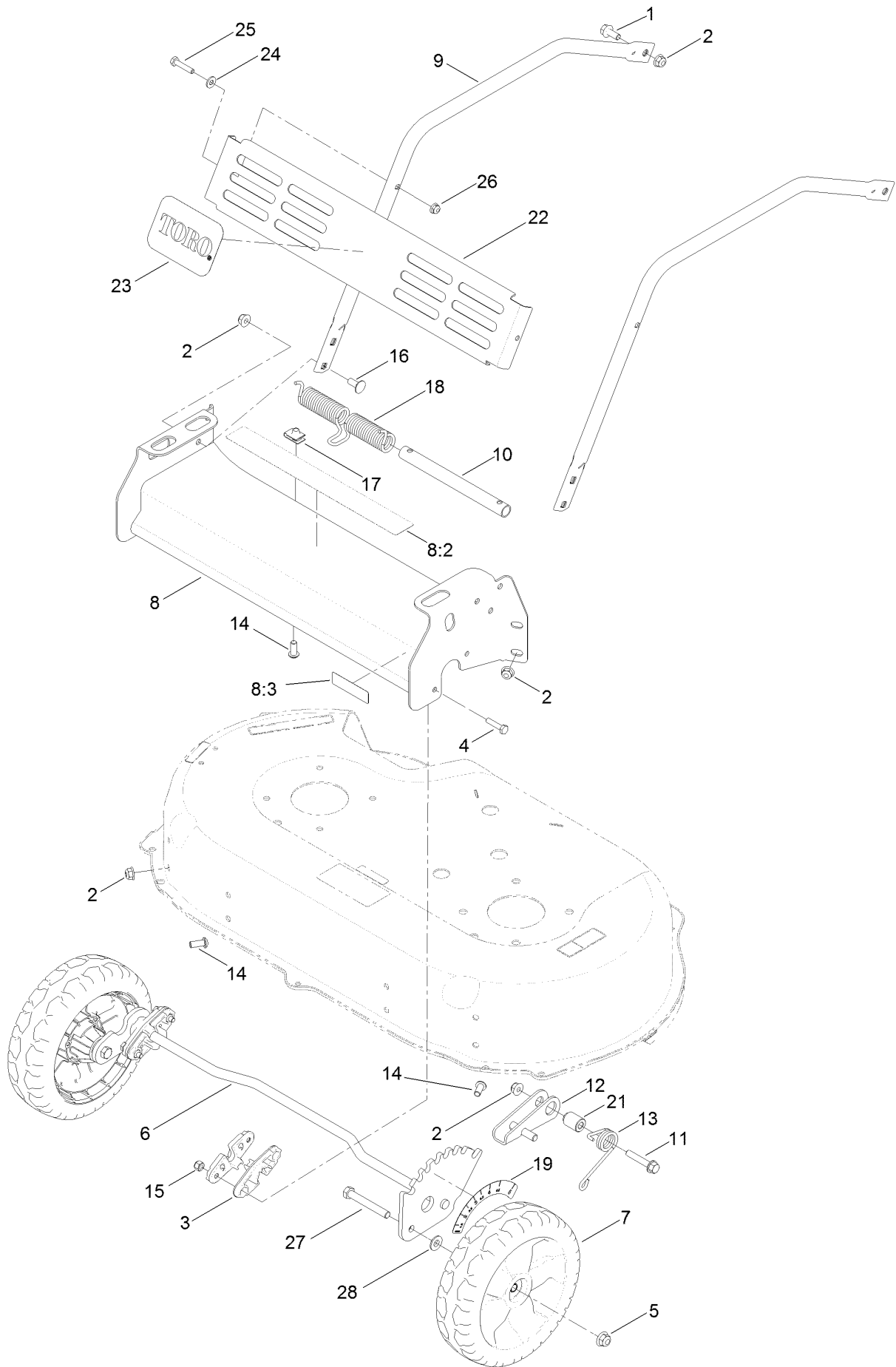
Engine and Fuel Tank Assembly (continued)

<i>Ref.</i>	<i>Part Number</i>	<i>Qty.</i>	<i>Description</i>	<i>Ref.</i>	<i>Part Number</i>	<i>Qty.</i>	<i>Description</i>
1	119-1892	1	Hose-Fuel	16	109-0304	2	Hose-Fuel Line 2 1/2"
2	116-7013	1	Pulley-Engine	17	1-603770	1	Valve-Fuel
3	121-5765	1	V-Belt	18	2412-98	6	Clamp-Hose
4	116-7116	1	Belt	20	115-0962	1	Hose-Vent, Canister
5	120-7077	1	Guide-Belt	21	130-6440-03	1	Bracket-Mount, Throttle
6	95-1727	3	Screw-HWH 3/8-16 X 1 1/4 Taptite	22	3229-30	1	Bolt-Carriage 1/4-20 X 1
7	3290-465	1	Washer-Spring Disc	23	3256-23	1	Washer-5/16 SAE
8	3212-4	1	Screw-HH 7/16-20 X 1	24	130-9655	1	Control-Throttle
9	109-6528	1	Decal-Recoil	25	104-7201	1	Nut-Nyloc 1/4-20 Flg
10		1	Engine-Kawasaki Fj180V ●■	26	117-2718	1	Decal-Arrester, Spark
11	115-0954-03	1	Mount-Tank	27	71-9280	1	Filter-Fuel
12	114-0280	1	Tank-Fuel	28	116-9313	1	Decal-Warning, Engine
13	115-7788	1	Cap-Fuel	29	130-9654	1	Wire-Control
14	116-8929	3	Screw-HWH	30	130-9656	1	Decal-Throttle, Choke
15	46-8091	2	Screw-HWH 1/4-10 X .82 Plastite				

● Not serviced separately

■ Obtain parts from www.kawpowerepc.com

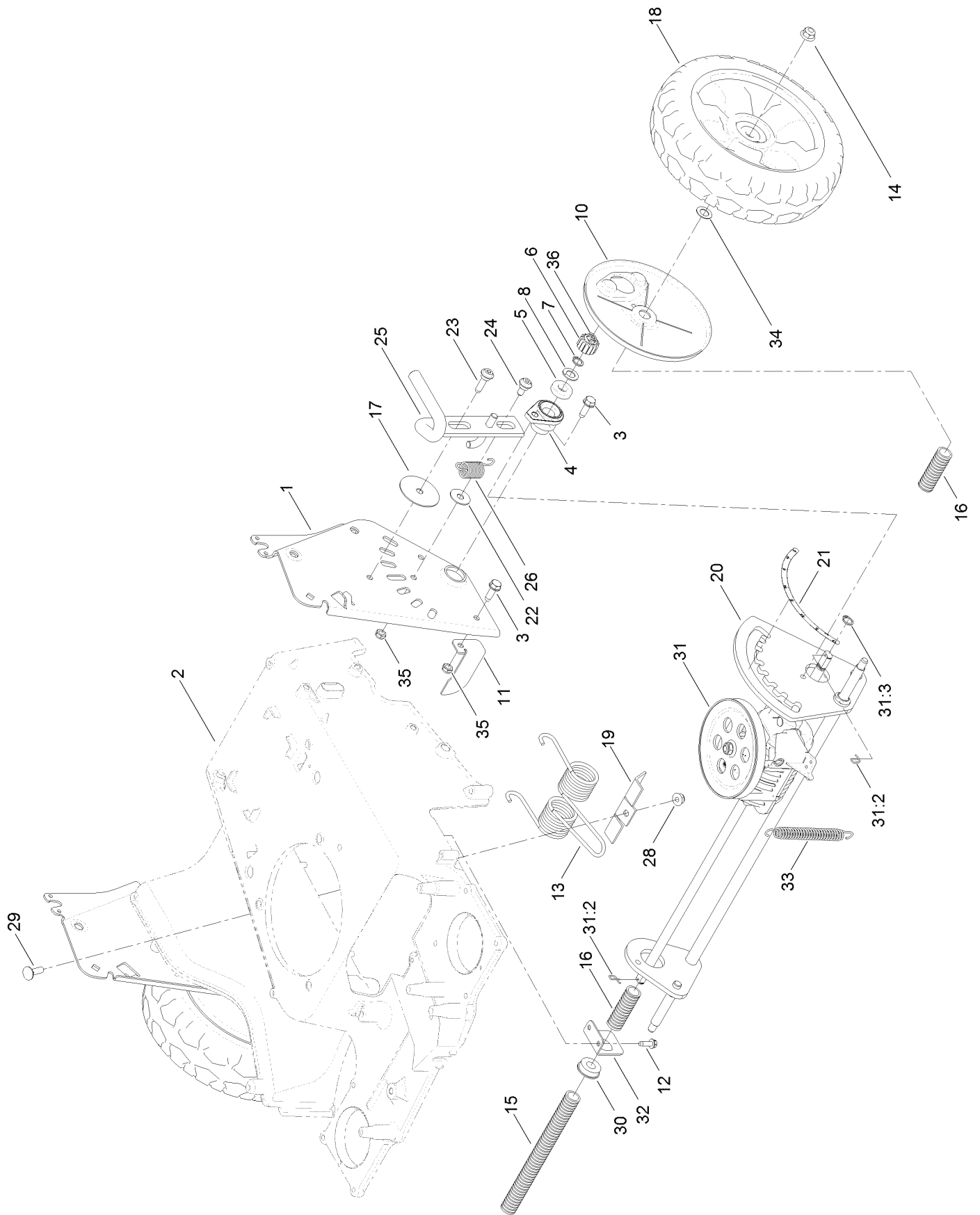
Front Bumper and Wheel Assembly



Front Bumper and Wheel Assembly (continued)

<i>Ref.</i>	<i>Part Number</i>	<i>Qty.</i>	<i>Description</i>	<i>Ref.</i>	<i>Part Number</i>	<i>Qty.</i>	<i>Description</i>
1	116-7230	2	Screw-HHF	14	3274-55	5	Screw-HSBH
2	104-8300	11	Nut-Flange, NI	15	3296-42	4	Nut-Lock, NI
3	121-5781	4	Bushing-Front	16	3230-23	4	Screw-CARR
4	321-7	4	Screw-HH	17	94-2413	1	Nut-U
5	104-8301	2	Nut-Flange, NI	18	121-2337	1	Spring-Torsion
6	131-0826	1	Axle-Front	19	121-5846	1	Decal-HOC, Front
7	125-1080	2	Wheel	21	125-2486	1	Spacer
8	125-2488	1	Front Bumper ASM	22	121-9187-03	1	Shield
8:2	121-5847	1	Decal	23	117-0871	1	Decal
8:3	116-7581	1	Decal-Warning	24	3256-22	2	Washer-Flat
9	121-9168-03	2	Brace	25	321-8	2	Screw-HH
10	131-9690	1	Mandrell-Spring	26	104-7201	2	Nut-Flange, NI
11	94-5780	1	Screw-HWH	27	323-13	2	Screw-HH
12	125-2483	1	Lock-Height, Adjustment	28	74-1671	2	Spacer-Cover, Wheel
13	120-9465	1	Spring-Torsion				

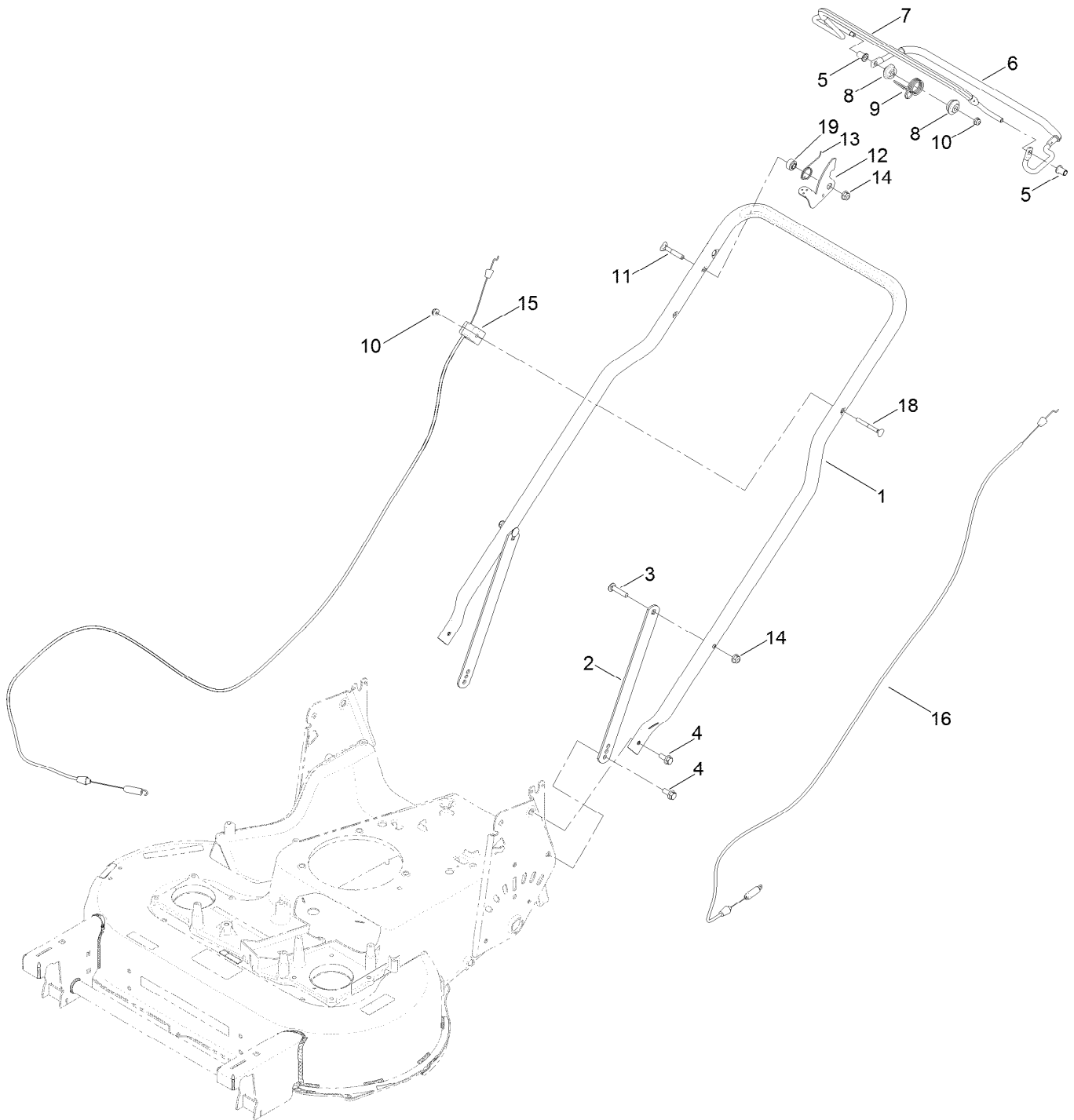
Traction and Height-of-Cut Assembly



Traction and Height-of-Cut Assembly (continued)

<i>Ref.</i>	<i>Part Number</i>	<i>Qty.</i>	<i>Description</i>	<i>Ref.</i>	<i>Part Number</i>	<i>Qty.</i>	<i>Description</i>
1	121-2394-03	1	LH HOC Plate ASM	20	131-4516	1	Axle-Rear
2	121-2395-03	1	RH HOC Plate ASM	21	116-7127	1	Decal-HOC, Rear
3	701243	7	Screw-HWHTF	22	52-2860	1	Washer
4	131-5364	2	Retainer-Bearing	23	119-2267	1	Screw-Shoulder, BHTF
5	109-8020	2	Bearing-Ball	24	120-9471	1	Bolt-Shoulder
6	110-9417	2	Gear-Pinion, 15T	25	120-7090	1	Lock-Height, Adjust
7	32151-61	1	Ring-Retaining	26	120-9452	1	Spring-Extension
8	110-7191	2	Washer-Thrust	28	104-8300	1	Nut-Flange, NI
10	125-2480	2	Cover-Gear	29	3230-2	1	Bolt-CARR
11	121-5821	1	Bracket-Stop	30	104-8699	1	Bearing-Ball
12	49-2040	2	Screw-HWHTF	31	131-9667	1	Transmission Kit
13	121-2368	1	Spring-Torsion	31:2	130-2369	2	Pin-Snap
14	104-8301	2	Nut-Flange, NI	31:3	32151-61	1	Ring-Retaining
15	121-5799	1	Conduit-Convoluted	32	120-7008	1	Mount-Bearing
16	121-5800	2	Conduit-Convoluted	33	120-7027	1	Spring-Extension
17	125-2540	1	Washer-Plain	34	36-4780	2	Washer-Plain
18	131-4599	2	Wheel ASM (W/Gear)	35	3296-47	2	Nut-Lock, NI
19	121-2397	1	Bracket	36	130-2369	2	Pin-Snap

Handle Assembly



Handle Assembly (continued)

<i>Ref.</i>	<i>Part Number</i>	<i>Qty.</i>	<i>Description</i>	<i>Ref.</i>	<i>Part Number</i>	<i>Qty.</i>	<i>Description</i>
1	120-7086-03	1	Handle	11	112-8876	1	Screw-Handle
2	116-8208-03	2	Support-Handle	12	116-2998	1	Lever-BBC
3	3230-4	2	Screw-CARR	13	109-9318	1	Spring-Lever, BBC
4	116-7230	4	Screw-HHF	14	104-8300	3	Nut-Flange, NI
5	116-1478	2	Bushing-Handlebar	15	121-2310	1	Cable-Brake, BBC
6	116-7907	1	Bail-Drive Coated	16	126-1664	1	Cable-Traction
7	109-8442	1	Bail	18	92-2270	1	Screw-Handle
8	109-8457	2	Bushing-Spring, Pivot	19	116-2690	1	Bushing-Stepped
9	116-5594	1	Spring-Return, BBC	99	614249	3	Tie-Cable ●
10	104-7201	2	Nut-Flange, NI				

● Not illustrated

Attachments and Accessories

For 22210 30in TurfMaster Walk-Behind Lawn Mower

Product Name	Model/Part
Atomic Blade 15.4in.....	120-9500-03
Mulching Kit.....	125-5064

Notes:

Notes:

Notes:



Count on it.