



**Count on it.**

**Operator's Manual**

**Reelmaster® 5010-H Traction Unit**

Model No. 03674—Serial No. 316000501 and Up



This product complies with all relevant European directives, for details please see the separate product specific Declaration of Conformity (DOC) sheet.

**▲ WARNING**

**CALIFORNIA  
Proposition 65 Warning**

**This product contains a chemical or chemicals known to the State of California to cause cancer, birth defects, or reproductive harm.**

**Diesel engine exhaust and some of its constituents are known to the State of California to cause cancer, birth defects, and other reproductive harm.**

It is a violation of California Public Resource Code Section 4442 or 4443 to use or operate the engine on any forest-covered, brush-covered, or grass-covered land unless the engine is equipped with a spark arrester, as defined in Section 4442, maintained in effective working order or the engine is constructed, equipped, and maintained for the prevention of fire.

## Introduction

This machine is a ride-on, reel-blade lawn mower intended to be used by professional, hired operators in commercial applications. It is primarily designed for cutting grass on well-maintained lawns in golf courses, parks, sports fields, and on commercial grounds. It is not designed for cutting brush, mowing grass and other growth alongside highways, or for agricultural uses.

Read this information carefully to learn how to operate and maintain your product properly and to avoid injury and product damage. You are responsible for operating the product properly and safely.

You may contact Toro directly at [www.Toro.com](http://www.Toro.com) for product safety and operation training materials, accessory information, help finding a dealer, or to register your product.

Whenever you need service, genuine Toro parts, or additional information, contact an Authorized Service Dealer or Toro Customer Service and have the model and serial numbers of your product ready. The model and serial numbers are on a plate mounted on the left side of the frame under the footrest. Write the numbers in the space provided.

<b>Model No.</b> _____
<b>Serial No.</b> _____

This manual identifies potential hazards and has safety messages identified by the safety-alert symbol (Figure 1), which signals a hazard that may cause serious injury or death if you do not follow the recommended precautions.



**Figure 1**

g000502

1. Safety-alert symbol

---

This manual uses 2 words to highlight information.

**Important** calls attention to special mechanical information and **Note** emphasizes general information worthy of special attention.

# Contents

Safety .....	4
Safe Operating Practices .....	4
Toro Riding Mower Safety .....	6
Sound Power Level .....	7
Sound Pressure Level .....	7
Vibration Level .....	7
Safety and Instructional Decals .....	8
Setup .....	12
1 Adjusting the Tire Pressure .....	12
2 Adjusting the Control-Arm Position .....	13
3 Installing the Cutting Units .....	13
4 Mounting the Finishing Kits .....	15
5 Adjusting the Turf-Compensation Spring .....	17
6 Installing the CE Hood Latch .....	17
7 Using the Cutting-Unit Kickstand .....	18
Product Overview .....	19
Controls .....	19
Specifications .....	26
Attachments/Accessories .....	26
Operation .....	27
Think Safety First .....	27
Checking the Engine-Oil Level .....	28
Adding Fuel .....	28
Checking the Cooling System .....	30
Checking the Hydraulic Fluid .....	30
Checking the Reel-to-Deckknife Contact .....	31
Checking the Torque of the Wheel Nuts .....	31
Breaking in the Machine .....	31
Bleeding the Fuel System .....	31
Starting and Stopping the Engine .....	32
Setting the Reel Speed .....	33
Adjusting the Lift-Arm Counterbalance .....	34
Adjusting the Lift-Arm Turnaround Position .....	34
Pushing or Towing the Machine .....	34
Transporting the Machine .....	35
Hauling the Machine .....	36
Jacking Points .....	36
The Diagnostic Light .....	36
Checking the Interlock Switches .....	36
Hydraulic-Valve Solenoid Functions .....	37
Operating Tips .....	37
Maintenance .....	38
Recommended Maintenance Schedule(s) .....	38
Daily Maintenance Checklist .....	39
Service Interval Chart .....	40
Lubrication .....	40
Greasing the Bearings and Bushings .....	40
Engine Maintenance .....	42
Servicing the Air Cleaner .....	42
Servicing the Engine Oil and Filter .....	42
Fuel System Maintenance .....	43
Draining the Fuel Tank .....	43
Checking the Fuel Lines and Connections .....	43
Servicing the Water Separator .....	44
Servicing the Fuel-Pickup Tube .....	44
Bleeding Air from the Fuel Injectors .....	44

Electrical System Maintenance .....	45
Servicing the Battery .....	45
Replacing the Fuses .....	45
Drive System Maintenance .....	47
Adjusting the Traction Drive for Neutral .....	47
Adjusting the Rear Wheel Toe-in .....	47
Cooling System Maintenance .....	48
Removing Debris from the Cooling System .....	48
Brake Maintenance .....	49
Adjusting the Parking Brakes .....	49
Adjusting the Parking-Brake Latch .....	49
Belt Maintenance .....	50
Tensioning the Alternator Belt .....	50
Hydraulic System Maintenance .....	50
Changing the Hydraulic Fluid .....	50
Replacing the Hydraulic Filter .....	51
Checking the Hydraulic Lines and Hoses .....	51
Testing the Pressure in the Hydraulic System .....	52
Cutting Unit System Maintenance .....	53
Backlapping the Cutting Units .....	53
Storage .....	54
Preparing the Traction Unit .....	54
Preparing the Engine .....	54

# Safety

This machine is designed in accordance with EN ISO 5395:2013 and ANSI B71.4-2012 specifications in effect at time of production.

Improper use or maintenance by the operator or owner can result in injury. To reduce the potential for injury, comply with these safety instructions and always pay attention to the safety-alert symbol, which means Caution, Warning, or Danger—personal safety instruction. Failure to comply with the instruction may result in personal injury or death.

## Safe Operating Practices

### Training

- Read the *Operator's Manual* and other training material carefully. Be familiar with the controls, safety signs, and the proper use of the equipment.
- Never allow children or people unfamiliar with these instructions to use or service the mower. Local regulations may restrict the age of the operator.
- Never mow while people, especially children, or pets are nearby.
- Keep in mind that the operator or user is responsible for accidents or hazards occurring to other people or their property.
- Do not carry passengers.
- All drivers and mechanics should seek and obtain professional and practical instruction. The owner is responsible for training the users. Such instruction should emphasize the need for care and concentration when working with ride-on machines.
- The owner/user can prevent and is responsible for accidents or injuries occurring to people or damage to property.

### Preparation

- While mowing, always wear substantial, slip-resistant footwear, long trousers, safety glasses, and ear protection. Tie long hair back. Do not wear jewelry.
- Thoroughly inspect the area where the equipment is to be used and remove all objects which may be thrown by the machine.
- Replace faulty silencers/mufflers.
- Evaluate the terrain to determine what accessories and attachments are needed to properly and safely perform the job. Use only accessories and attachments approved by the manufacturer.
- Check that the operator-presence controls, safety switches, and shields are attached and functioning properly. Do not operate unless they are functioning properly.

## Safe Handling of Fuels

- To avoid personal injury or property damage, use extreme care in handling fuel. Fuel is extremely flammable and the vapors are explosive.
- Extinguish all cigarettes, cigars, pipes, and other sources of ignition.
- Use only an approved fuel container.
- Never remove the fuel cap or add fuel with the engine running.
- Allow the engine to cool before refueling.
- Never refuel the machine indoors.
- Never store the machine or fuel container where there is an open flame, spark, or pilot light, such as on a water heater or on other appliances.
- Never fill containers inside a vehicle or on a truck or trailer bed with a plastic liner. Always place containers on the ground away from your vehicle before filling.
- Remove equipment from the truck or trailer and refuel it on the ground. If this is not possible, then refuel such equipment with a portable container rather than from a fuel-dispenser nozzle.
- Keep the nozzle in contact with the rim of the fuel tank or container opening at all times until fueling is complete. Do not use a nozzle lock-open device.
- If fuel is spilled on your clothing, change your clothing immediately.
- Never overfill the fuel tank. Replace the fuel cap and tighten it securely.

## Operation

- Do not operate the engine in a confined space where dangerous carbon monoxide and other exhaust gasses can collect.
- Mow only in daylight or in good artificial light.
- Before attempting to start the engine, disengage all blade-attachment clutches, shift into neutral, and engage the parking brake.
- Use counterweight(s) or wheel weights when suggested in the *Operator's Manual*.
- Stay alert for holes in the terrain and other hidden hazards.
- Watch out for traffic when crossing or near roadways.
- Stop the blades rotating before crossing surfaces other than grass.
- When using any attachments, never direct discharge of material toward bystanders nor allow anyone near the machine while in operation.
- Never operate the machine with damaged guards, shields, or without safety protective devices in place. Be sure that all interlocks are attached, adjusted properly, and functioning properly.

- Do not change the engine governor settings or over-speed the engine. Operating the engine at excessive speed may increase the hazard of personal injury.
- Before leaving the operator's position, do the following:
  - Stop on level ground.
  - Disengage the power take-off and lower the attachments.
  - Change into neutral and set the parking brake.
  - Stop the engine and remove the key.
- Disengage drive to attachments when transporting or not in use.
- Stop the engine and disengage drive to attachment for the following:
  - Before refuelling
  - Before removing the grass catcher/catchers
  - Before making height adjustment unless adjustment can be made from the operator's position
  - Before clearing blockages
  - Before checking, cleaning or working on the mower
  - After striking a foreign object or if an abnormal vibration occurs. Inspect the mower for damage and make repairs before starting and operating the equipment
- Reduce the throttle setting during engine run-out and, if the engine is provided with a shut-off valve, turn the fuel off at the conclusion of mowing.
- Keep hands and feet away from the cutting units.
- Look behind and down before backing up to be sure of a clear path.
- Slow down and use caution when making turns and crossing roads and sidewalks. Stop the cylinders/reels if you are not mowing.
- Do not operate the mower if you are tired, ill, or under the influence of alcohol or drugs.
- Lightning can cause severe injury or death. If lightning is seen or thunder is heard in the area, do not operate the machine; seek shelter.
- Use care when loading or unloading the machine into a trailer or truck.
- Use care when approaching blind corners, shrubs, trees, or other objects that may obscure vision.
- Keep the ROPS in safe operating condition by periodically thoroughly inspecting for damage and keeping all mounting fasteners tight.
- Replace a damaged ROPS. Do not repair or revise.
- Do not remove the ROPS.
- Any alterations to a ROPS must be approved by the manufacturer.

## Slope Safety

- Slow down the machine and use extra care on hillsides. Travel in the recommended direction on hillsides. Turf conditions can affect the stability of the machine.
- Avoid starting, stopping, or turning the machine on a slope. If the tires lose traction, disengage the blade(s) and proceed slowly straight down the slope.
- Do not turn the machine sharply. Use care when reversing the machine.
- When operating the machine on a slope, always keep all cutting units lowered.
- Avoid turning the machine on slopes. If you must turn, turn slowly and gradually downhill, if possible.
- Use extra care while operating the machine with attachments; they can affect the stability of the machine. Follow the recommendations for using the machine on a slope in this *Operator's Manual*.

## Maintenance and Storage

- Keep all nuts, bolts and screws tight to be sure that the equipment is in safe working condition.
- Never store the equipment with fuel in the tank inside a building where fumes may reach an open flame or spark.
- Allow the engine to cool before storing in any enclosure.
- To reduce the fire hazard, keep the engine, silencer/muffler, battery compartment, and fuel storage area free of grass, leaves, or excessive grease.
- Check the grass catcher frequently for wear or deterioration.
- Keep all parts in good working condition and all hardware and hydraulic fittings tightened. Replace all worn or damaged parts and decals.
- If you must drain the fuel tank, do this outdoors.
- Be careful while adjusting the machine to prevent entrapment of the fingers between moving blades and fixed parts of the machine.
- On multi-cylinder/multi-reel machines, take care as rotating 1 cylinder/reel can cause other cylinders/reels to rotate.
- Disengage drives, lower the cutting units, set parking brake, stop engine and remove key from ignition. Wait for all movement to stop before adjusting, cleaning, or repairing.

## Rollover Protection System (ROPS)

- The ROPS is an integral and effective safety device. Use the seat belt when operating the machine.
- Be certain that the seat belt can be released quickly in the event of an emergency.
- Check carefully for overhead clearances (i.e., branches, doorways, electrical wires) before driving under any objects and do not contact them.

- Clean grass and debris from cutting units, drives, silencers/mufflers, and engine to help prevent fires. Clean up oil or fuel spills.
- Use jack stands to support components when required.
- Carefully release pressure from components with stored energy.
- Disconnect battery before making any repairs. Disconnect the negative terminal first and the positive last. Connect positive first and negative last.
- Use care when checking the cylinders/reels. Wear gloves and use caution when servicing them.
- Keep hands and feet away from moving parts. If possible, do not make adjustments with the engine running.
- Charge batteries in an open well ventilated area, away from spark and flames. Unplug charger before connecting or disconnecting from battery. Wear protective clothing and use insulated tools.

## Hauling

- Use care when loading or unloading the machine into a trailer or truck.
- Use full width ramps for loading machine into trailer or truck.
- Tie the machine down securely using straps, chains, cable, or ropes. Both front and rear straps should be directed down and outward from the machine.

## Toro Riding Mower Safety

The following list contains safety information specific to Toro products or other safety information that you must know that is not included in the CEN, ISO, or ANSI standard.

This product is capable of amputating hands and feet and throwing objects. Always follow all safety instructions to avoid serious injury or death.

Use of this product for purposes other than its intended use could prove dangerous to user and bystanders.

### **▲ WARNING**

**Engine exhaust contains carbon monoxide, which is an odorless, deadly poison that can kill you.**

**Do not operate the engine in a confined space where dangerous carbon monoxide and other exhaust gasses can collect.**

- Know how to stop the engine quickly.
- Handle fuel carefully. Wipe up any spills.
- Check the safety interlock switches daily for proper operation. If a switch should fail, replace the switch before operating the machine.
- Before starting the engine, sit on the seat.
- Using the machine demands attention. To prevent loss of control:

- Do not drive close to sand traps, ditches, creeks, or other hazards.
- Reduce speed when making sharp turns. Avoid sudden stops and starts.
- When near or crossing roads, always yield the right-of-way.
- Apply the service brakes when going downhill to keep forward speed slow and to maintain control of the machine.
- Raise the cutting units when driving from 1 work area to another.
- Do not touch the engine, silencer/muffler, or exhaust pipe while the engine is running or soon after it has stopped because these areas could be hot enough to cause burns.
- If the engine stalls or loses headway and cannot make it to the top of a slope, do not turn the machine around. Always back slowly, straight down the slope.
- When a person or pet appears unexpectedly in or near the mowing area, stop mowing. Do not resume mowing until the area is cleared.

## Maintenance and Storage

- Make sure that all hydraulic-line connectors are tight and all hydraulic hoses and lines are in good condition before applying pressure to the system.
- Keep your body and hands away from pin hole leaks or nozzles that eject hydraulic fluid under high pressure. Use paper or cardboard, not your hands, to search for leaks. Hydraulic fluid escaping under pressure can have sufficient force to penetrate the skin and cause serious injury. Seek immediate medical attention if fluid is injected into skin.
- Before disconnecting or performing any work on the hydraulic system, relieve all pressure in the system by stopping the engine and lowering the cutting units and attachments to the ground.
- Check all fuel lines for tightness and wear on a regular basis. Tighten or repair them as needed.
- If the engine must be running to perform a maintenance adjustment, keep hands, feet, clothing, and any parts of the body away from the cutting units, attachments, and any moving parts. Keep everyone away.
- To ensure safety and accuracy, have your Toro Distributor check the maximum engine speed with a tachometer. Maximum governed engine speed should be 3300 rpm.
- For major repairs, warranty work, updates to systems, or assistance, contact your Toro Distributor.
- To ensure optimum performance and continued safety certification of the machine, use only genuine Toro replacement parts and accessories. Replacement parts and accessories made by other manufacturers could be dangerous, and such use could void the product warranty.

## Sound Power Level

This unit has a guaranteed sound power level of 100 dBA, which includes an Uncertainty Value (K) of 1 dBA.

Sound power level was determined according to the procedures outlined in ISO 11094.

## Sound Pressure Level

This unit has a sound pressure level at the operator's ear of 81 dBA, which includes an Uncertainty Value (K) of 1 dBA.

Sound pressure level was determined according to the procedures outlined in EN ISO 5395:2013.

## Vibration Level

### Hand-Arm

Measured vibration level for right hand = 0.4 m/s<sup>2</sup>

Measured vibration level for left hand = 0.4 m/s<sup>2</sup>

Uncertainty Value (K) = 0.2 m/s<sup>2</sup>

Measured values were determined according to the procedures outlined in EN ISO 5395:2013.

### Whole Body

Measured vibration level = 0.23 m/s<sup>2</sup>

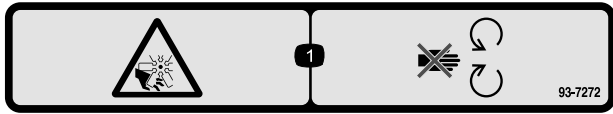
Uncertainty Value (K) = 0.11 m/s<sup>2</sup>

Measured values were determined according to the procedures outlined in EN ISO 5395:2013.

# Safety and Instructional Decals



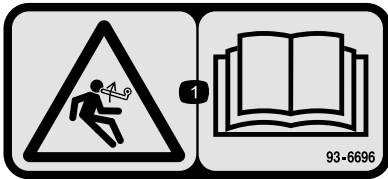
Safety decals and instructions are easily visible to the operator and are located near any area of potential danger. Replace any decal that is damaged or lost.



93-7272

decal93-7272

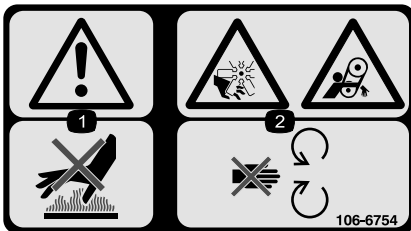
1. Cutting/dismemberment hazard; fan—stay away from moving parts.



93-6696

decal93-6696

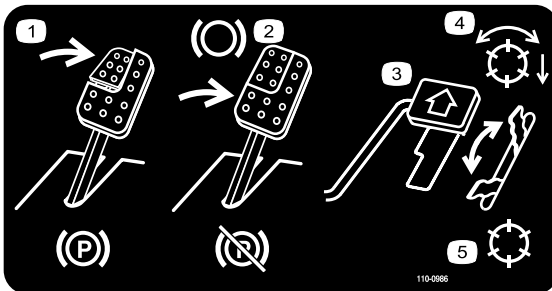
1. Stored energy hazard—read the *Operator's Manual*.



106-6754

decal106-6754

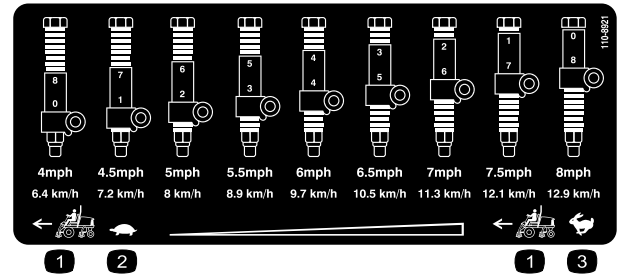
1. Warning—do not touch the hot surface.
2. Cutting/dismemberment hazard, fan and entanglement hazard, belt—stay away from moving parts.



110-0986

decal110-0986

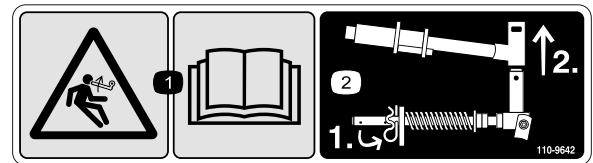
1. Press the brake pedal and parking brake pedal to set the parking brake.
2. Press the brake pedal to apply the brake.
3. Press the traction pedal to move the machine forward.
4. Reel enabled mode
5. Transport mode



110-8921

decal110-8921

1. Traction unit speed
2. Slow
3. Fast



110-9642

decal110-9642

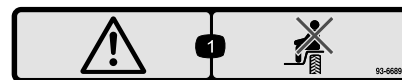
1. Stored energy hazard—read the *Operator's Manual*.
2. Move the cotter pin to the hole closest to the rod bracket and then remove the lift arm and pivot yoke.



106-6755

decal106-6755

1. Engine coolant under pressure.
2. Explosion hazard—read the *Operator's Manual*.
3. Warning—do not touch the hot surface.
4. Warning—read the *Operator's Manual*.



93-6689

decal93-6689

1. Warning—do not carry passengers.

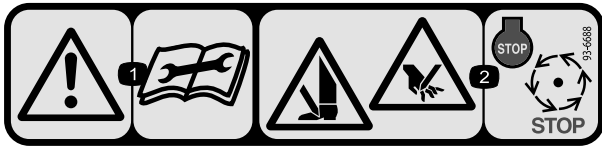


## CALIFORNIA SPARK ARRESTER WARNING

Operation of this equipment may create sparks that can start fires around dry vegetation. A spark arrester may be required. The operator should contact local fire agencies for laws or regulations relating to fire prevention requirements. 117-2718

decal117-2718

117-2718



decal93-6688

93-6688

1. Warning—read the instructions before servicing or performing maintenance.
2. Cutting hazard of hand or foot—stop the engine and wait for moving parts to stop.

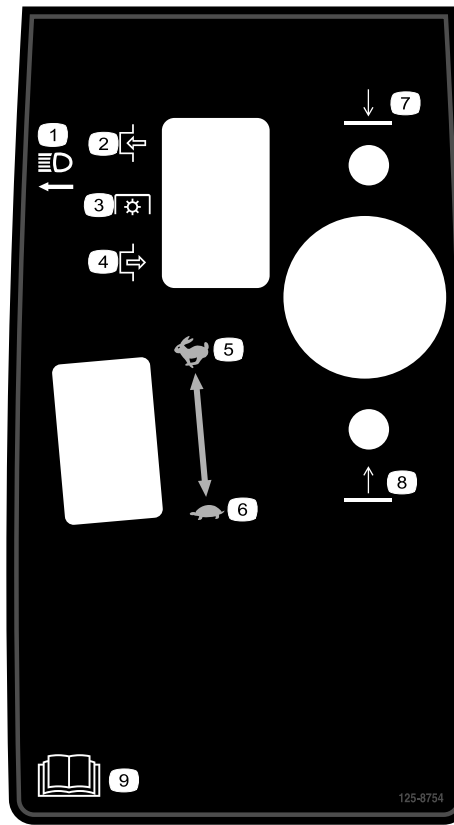


decalbatterysymbols

### Battery Symbols

Some or all of these symbols are on your battery

1. Explosion hazard
2. No fire, open flame, or smoking
3. Caustic liquid/chemical burn hazard
4. Wear eye protection
5. Read the *Operator's Manual*.
6. Keep bystanders a safe distance from the battery.
7. Wear eye protection; explosive gases can cause blindness and other injuries.
8. Battery acid can cause blindness or severe burns.
9. Flush eyes immediately with water and get medical help fast.
10. Contains lead; do not discard.

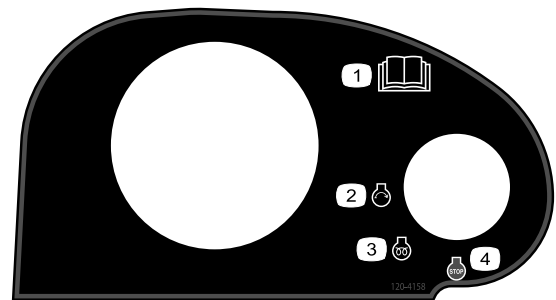


125-8754

decal125-8754

125-8754

1. Headlights
2. Engage
3. Power take-off (PTO)
4. Disengage
5. Fast
6. Slow
7. Lower the cutting units
8. Raise the cutting units
9. Read the *Operator's Manual*.



120-4158

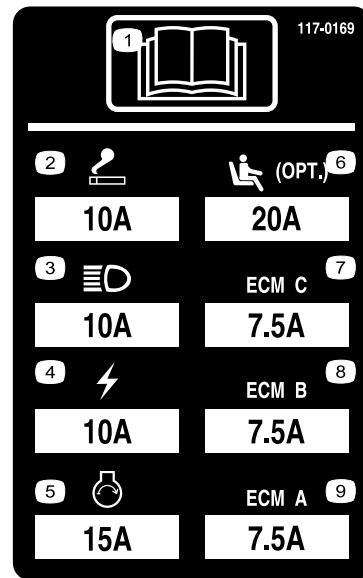
decal120-4158

120-4158

1. Read the *Operator's Manual*.
2. Engine—start
3. Engine—preheat
4. Engine—stop



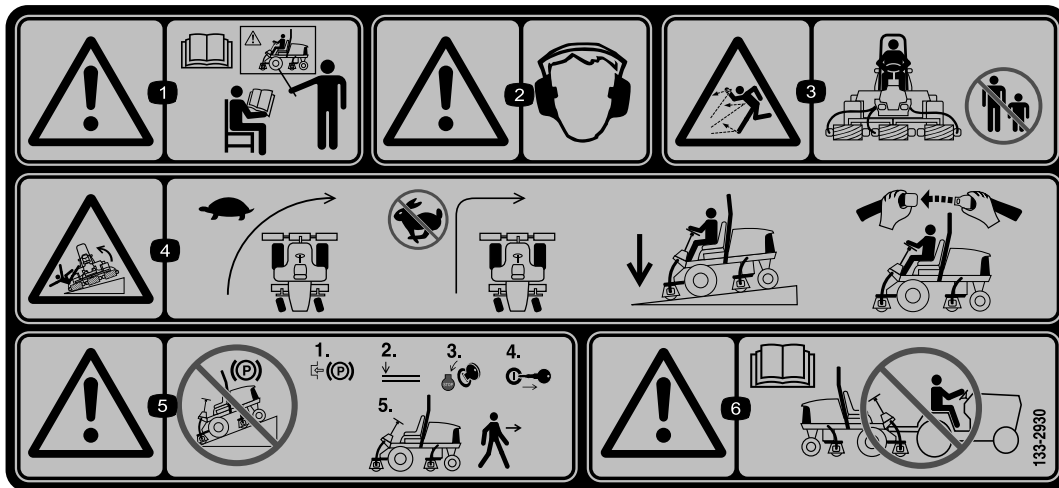
127-2470



117-0169

r:\decal117-0169

1. Read the *Operator's Manual*.
2. Power point—10 A
3. Headlights—10 A
4. Power—10 A
5. Engine start—15 A
6. Optional air ride seat suspension—10 A
7. Engine computer management C—10 A
8. Engine computer management B—10 A
9. Engine computer management A—10 A



133-2930

decal133-2930

1. Warning—read the *Operator's Manual*; do not operate this machine unless you are trained.
2. Warning—wear hearing protection.
3. Thrown object hazard—keep bystanders a safe distance away from the machine.
4. Tipping hazard—slow the machine before turning; do not turn at high speeds; only drive on slopes with the cutting units lowered; always wear a seatbelt.
5. Warning—do not park on slopes; lock the parking brake, stop the engine and remove the ignition key before leaving the machine.
6. Warning—read the *Operator's Manual*; do not tow the machine.



133-2931

decal133-2931

1. Warning—read the *Operator's Manual*; do not operate this machine unless you are trained.
2. Warning—wear hearing protection.
3. Thrown object hazard—keep bystanders a safe distance away from the machine
4. Tipping hazard—do not drive across or down slopes greater than 15 degrees; only drive on slopes with the cutting units lowered; always wear a seatbelt
5. Warning—do not park on slopes; lock the parking brake, stop the engine and remove the ignition key before leaving the machine.
6. Warning—read the *Operator's Manual*; do not tow the machine.

### REELMASTER 5010-H/ 5410/5510/5610 & GROUNDMASTER 4300

#### QUICK REFERENCE AID

CHECK/SERVICE (daily)

1. OIL LEVEL, ENGINE
2. OIL LEVEL, HYDRAULIC TANK
3. COOLANT LEVEL, RADIATOR
4. FUEL /WATER SEPARATOR
5. PRECLEANER – AIR CLEANER
6. RADIATOR SCREEN
7. BRAKE FUNCTION
8. TIRE PRESSURE
9. BELTS (FAN, ALT.)

GREASING --SEE OPERATOR'S MANUAL

SEE OPERATOR'S MANUAL FOR INITIAL CHANGES.	FLUID TYPE	CAPACITY	CHANGE INTERVAL		FILTER PART NO.
			FLUID	FILTER	
A. ENGINE OIL	SAE 15W-40CI-4	3.5 QTS* (5010-H) 5.5 QTS.*	150 HRS.	150 HRS.	104-5167
B. HYD. CIRCUIT OIL	ISO VG 46/68	11 GALS* (5010-H) 15 GALS.*	800 HRS.	SEE INDICATOR 800 HRS.	94-2621** 86-3010
C. AIR CLEANER				SEE INDICATOR	108-3810 (5010-H) (5410) (5510) 108-3812 (5610) (4300)
D. WATER SEPARATOR				400 HRS.	110-9049
E. FUEL TANK	NO. 2-DIESEL	14 GALS.	DRAIN AND FLUSH, 2 YRS.		
F. COOLANT	50/50 ETHYLENE GLYCOL/WATER	5.5 QTS. (5010-H) 7.0 QTS. (5410) (5510) 10.0 QTS. (5610) (4300)	DRAIN AND FLUSH, 2 YRS.		

\* INCLUDING FILTER \*\* EXCLUDES 5010-H

125-8753

decal125-8753

1. Read the *Operator's Manual* for more maintenance information.

# Setup

## Loose Parts

Use the chart below to verify that all parts have been shipped.

Procedure	Description	Qty.	Use
<b>1</b>	No parts required	–	Adjust the tire pressure.
<b>2</b>	No parts required	–	Adjust the control-arm position.
<b>3</b>	Cutting units	5	Install the cutting units.
<b>4</b>	Finishing kit	1	Mount the finishing kits (finishing kits are sold separately).
<b>5</b>	No parts required	–	Adjust the turf-compensation spring.
<b>6</b>	Hood-latch assembly Washer	1 1	Install the CE hood latch.
<b>7</b>	Cutting unit kickstand	1	Install the cutting-unit kickstand.

## Media and Additional Parts

Description	Qty.	Use
Operator's Manual	1	Read the Operator's Manual before operating the machine.
Engine Operator's Manual	1	Engine information
Parts Catalog	1	Use to reference part numbers
Declaration of Conformity	1	Declaration of conformity
Operator Training Material	1	Review before operating the machine

**Note:** Determine the left and right sides of the machine from the normal operating position.



## Adjusting the Tire Pressure

### No Parts Required

### Procedure

The tires are over-inflated for shipping. Therefore, release some of the air to reduce the pressure. Correct air pressure in the front and rear tires is 83 to 103 kPa (12 to 15 psi).

**Important:** Maintain even pressure in all tires to ensure uniform contact with the turf.

# 2

## Adjusting the Control-Arm Position

No Parts Required

### Procedure

The control-arm position can be adjusted for your comfort.

1. Loosen the 2 bolts securing the control arm to the retaining bracket (Figure 2).

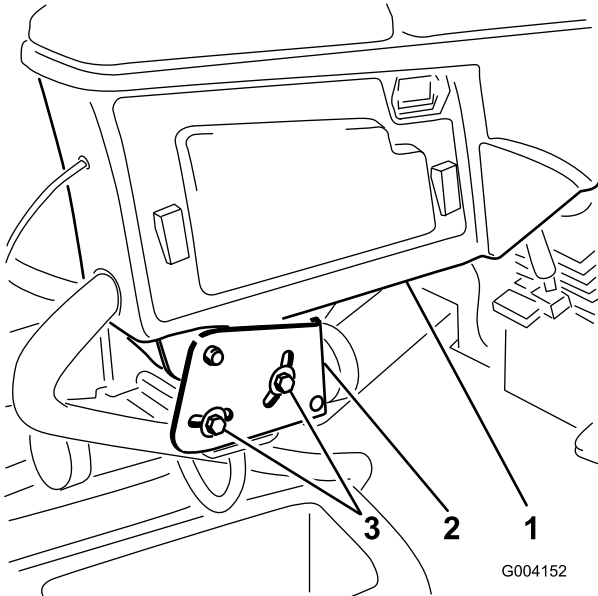


Figure 2

1. Control arm
2. Retaining brackets
3. Bolts (2)

2. Rotate the control arm to the desired position and tighten the 2 bolts.

# 3

## Installing the Cutting Units

Parts needed for this procedure:

5	Cutting units
---	---------------

### Procedure

#### ⚠ CAUTION

If you do not disconnect the power to the cutting units, someone could accidentally start the cutting unit, causing serious injury to hands and feet.

Always separate the power-disconnect connectors before working on the cutting units (Figure 26).

1. Disconnect the power-disconnect connector; refer to [Cutting-Unit-Power Disconnect](#) (page 21).
2. Remove the cutting units from the cartons. Assemble and adjust as described in the cutting unit *Operator's Manual*.
3. Make sure that the counter weight (Figure 3) is installed to the proper end of the cutting unit as described in the counter weight kit *Installation Instructions*.

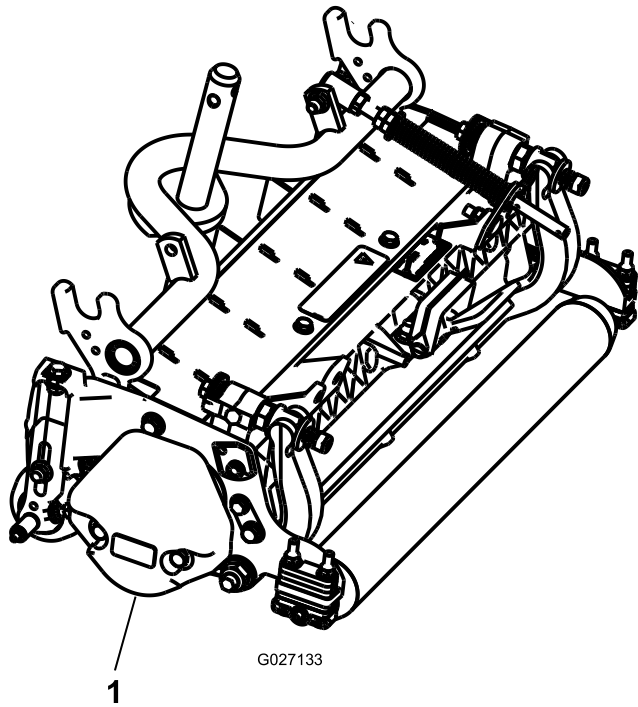


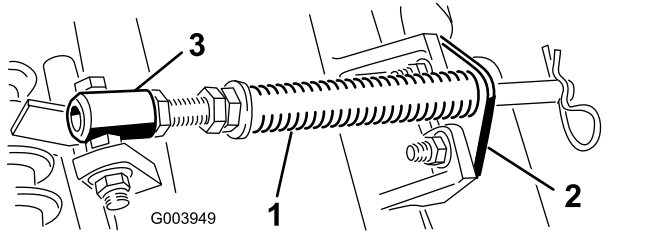
Figure 3

1. Counter weight

4. Mount the turf-compensation spring to the same side of the cutting unit as the reel-drive motor. Position the turf compensation as follows:

**Note:** All cutting units are shipped with the turf-compensation spring mounted to the right side of the cutting unit.

- A. Remove the 2 carriage bolts and nuts securing the rod bracket to the cutting-unit tabs (Figure 4).



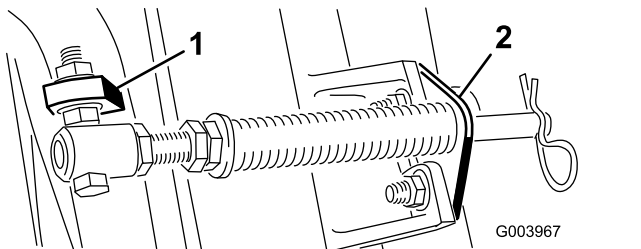
**Figure 4**

1. Turf-compensation spring
3. Spring tube
2. Rod bracket

- B. Remove the flange nut securing the spring tube bolt to the carrier-frame tab (Figure 4) Remove the assembly.

- C. Mount the spring-tube bolt to the opposite tab on the carrier frame and secure with the flange nut.

**Note:** Position to the bolt head to the outer side of the tab as shown in Figure 5.



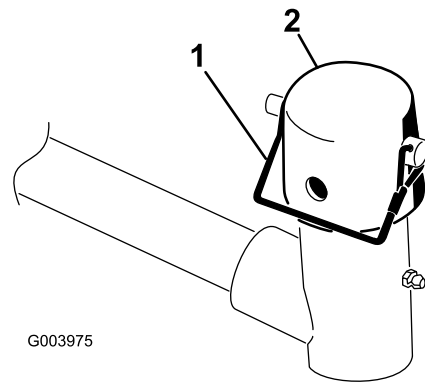
**Figure 5**

1. Opposite carrier-frame tab
2. Rod bracket

- D. Mount the rod bracket to the cutting-unit tabs with the carriage bolts and nuts (Figure 5).

**Note:** When installing or removing the cutting units, make sure that the hairpin cotter is installed in the spring rod hole next to the rod bracket. Otherwise, install the hairpin cotter in the hole in the end of the rod.

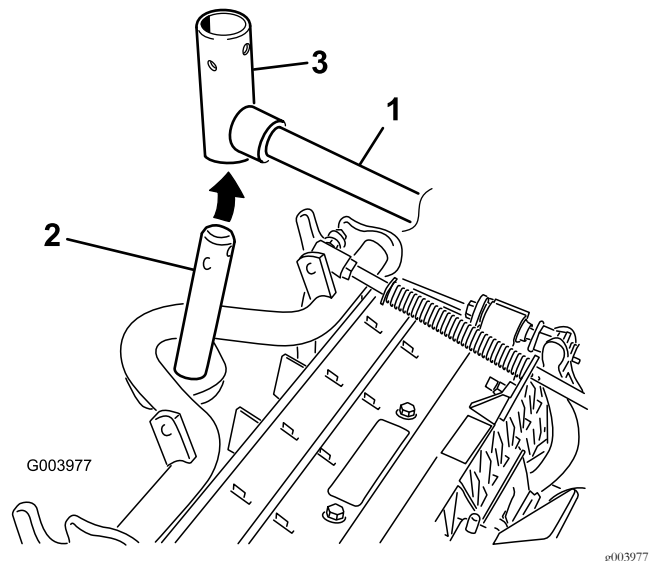
5. Lower all lift arms completely.
6. Remove the snapper pin and the cap from the lift arm pivot yoke (Figure 6).



**Figure 6**

1. Snapper pin
2. Cap

7. For the front cutting units, slide a cutting unit under the lift arm while inserting the carrier-frame shaft up into the lift-arm-pivot yoke (Figure 7).

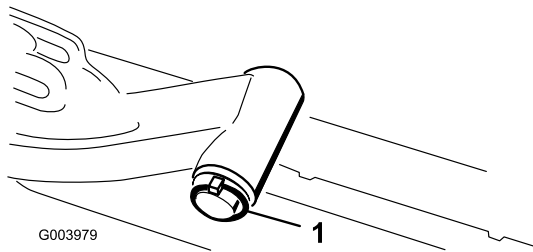


**Figure 7**

1. Lift arm
3. Lift-arm-pivot yoke
2. Carrier-frame shaft

8. Use the following procedure on the rear cutting units when the height of cut is above 19 mm (3/4 inch).

- A. Remove the lynch pin and washer securing the lift-arm-pivot shaft to the lift arm and slide the lift-arm-pivot shaft out of the lift arm (Figure 8).



**Figure 8**

1. Lynch pin and washer

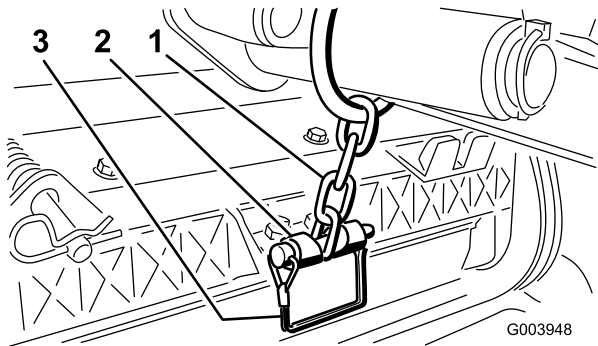
- B. Insert the lift-arm yoke onto the carrier-frame shaft (Figure 7).
- C. Insert the lift-arm shaft into the lift arm and secure it with the washer and lynch pin (Figure 8).

9. Insert the cap over the carrier-frame shaft and lift-arm yoke.
10. Secure the cap and the carrier-frame shaft to the lift-arm yoke with the snapper pin (Figure 6).

**Note:** Use the slot if a steering cutting unit is desired or use the hole if the cutting unit is to be locked in position.

11. Secure the lift-arm chain to the chain bracket with the snapper pin (Figure 9).

**Note:** Use the number of chain links described in the cutting unit *Operator's Manual*.



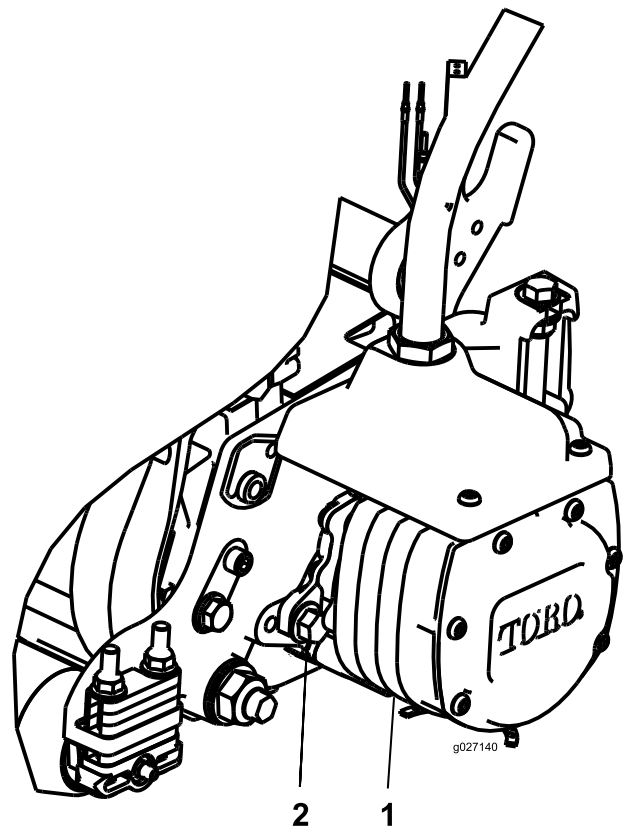
**Figure 9**

1. Lift-arm chain
2. Chain bracket
3. Pin

12. Coat the spline shaft of the reel motor with clean grease.
13. Oil the reel motor O-ring and install it onto the motor flange.
14. Install the motor by rotating it clockwise so that the motor flanges clear the bolts (Figure 10).

**Note:** Rotate the motor counterclockwise until the flanges encircle the bolts and then tighten the bolts.

**Important:** Make sure that the reel-motor hose is not twisted, kinked or in the risk of being pinched.



**Figure 10**

1. Reel-drive motor
2. Mounting bolt (2)

## 4

### Mounting the Finishing Kits

Parts needed for this procedure:

1	Finishing kit
---	---------------

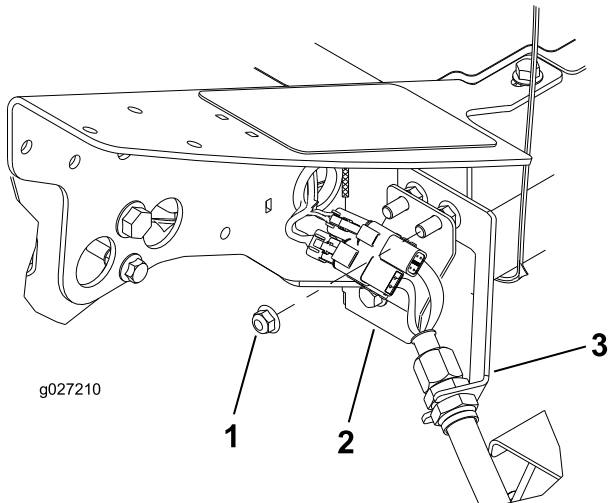
#### Procedure

**Important:** To ensure that the hose routing is appropriate and the hoses are not twisted, mount the motors to the cutting units before mounting the finishing kits.

1. On the front left corner of the frame (#4 cutting unit location), remove the extra flange head nut on the bolt securing the bulkhead bracket to the machine (Figure 11).
2. Loosen the nuts on the finishing kit hose fitting, insert the hose into the slot on the bulkhead bracket and tighten the nuts.

**Note:** When tightening the nuts, use a back up wrench to prevent the hose from twisting or kinking.

3. Insert the connector plate onto the bulkhead-mounting bolts with the connectors positioned as shown in [Figure 11](#).
4. Secure the connector plate to 1 of the mounting bolts with the flange nut previously removed.
5. Locate the wire harness on the machine and plug the wire connectors into the wire connectors of the finishing kit.



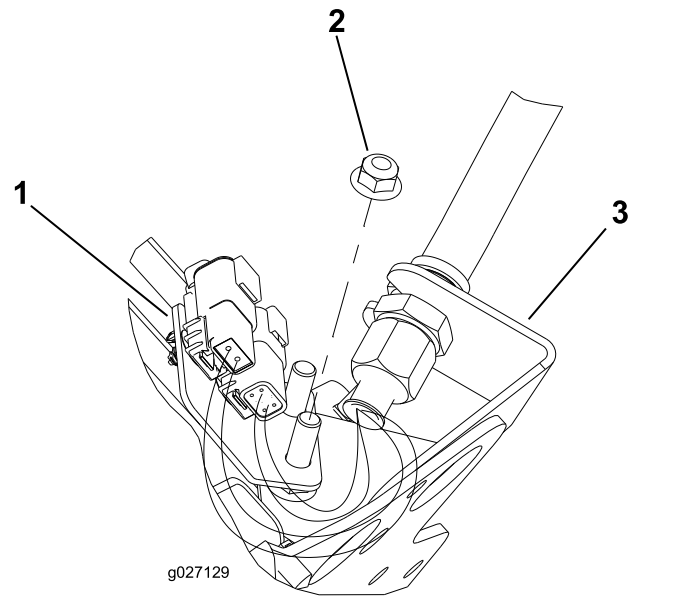
**Figure 11**

**#4 Cutting Unit Location, Left Front**

- |                          |                     |
|--------------------------|---------------------|
| 1. Extra flange-head nut | 3. Bulkhead bracket |
| 2. Connector plate       |                     |

6. Repeat the procedure on the remaining 4 bulkhead locations as shown in [Figure 12](#) through [Figure 15](#).

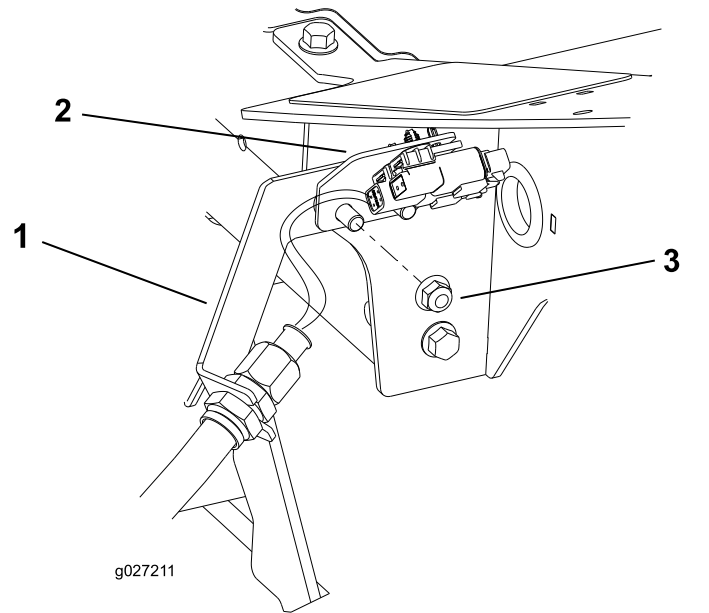
**Important:** The connector plates are positioned differently at the remaining locations so the hose can be routed through the bulkhead bracket and to the cutting unit without getting twisted or kinked.



**Figure 12**

**#1 Cutting Unit Location, Center Front  
(As viewed from under the machine)**

- |                          |                     |
|--------------------------|---------------------|
| 1. Connector plate       | 3. Bulkhead bracket |
| 2. Extra flange-head nut |                     |



**Figure 13**

**#5 Cutting Unit Location, Right Front**

- |                     |                          |
|---------------------|--------------------------|
| 1. Bulkhead bracket | 3. Extra flange-head nut |
| 2. Connector plate  |                          |



# 5

## Adjusting the Turf-Compensation Spring

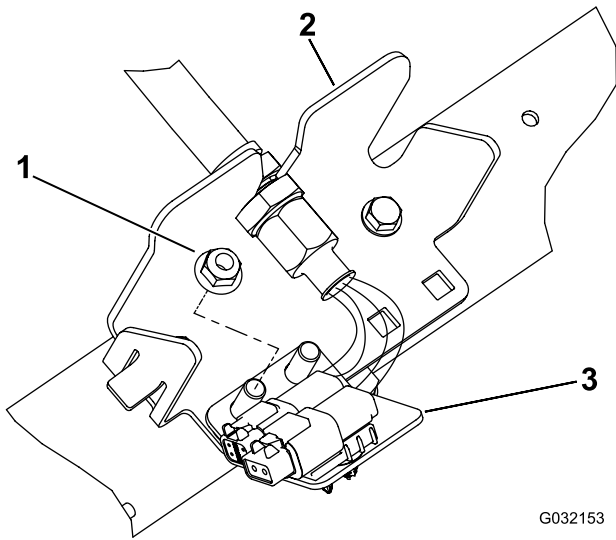
No Parts Required

### Procedure

The turf-compensation spring (Figure 16) transfers the weight from the front to the rear roller. This helps to reduce a wave pattern in the turf, also known as marcelling or bobbing.

**Important:** Make spring adjustments with the cutting unit mounted to the traction unit, pointing straight ahead and lowered to the ground.

1. Make sure that the hairpin cotter is installed in the rear hole in the spring rod (Figure 16).



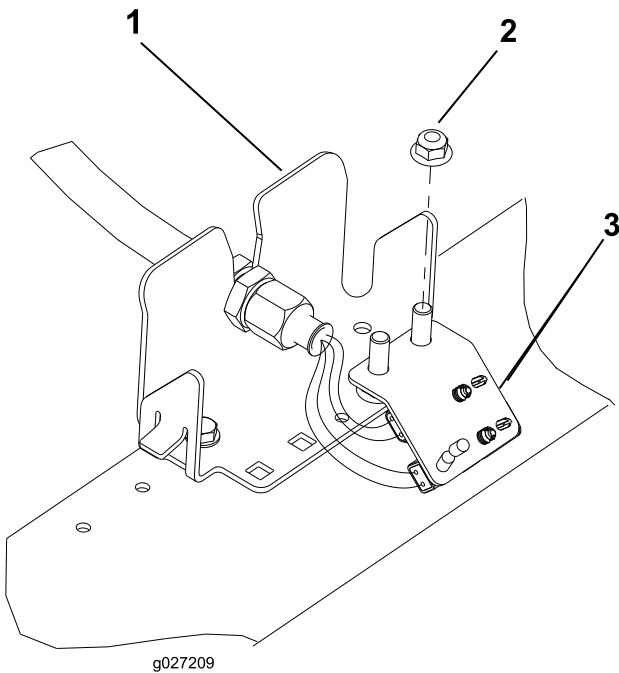
G032153

g032153

**Figure 14**

#3 Cutting Unit Location, Right Rear

- |                          |                    |
|--------------------------|--------------------|
| 1. Extra flange-head nut | 3. Connector plate |
| 2. Bulkhead bracket      |                    |



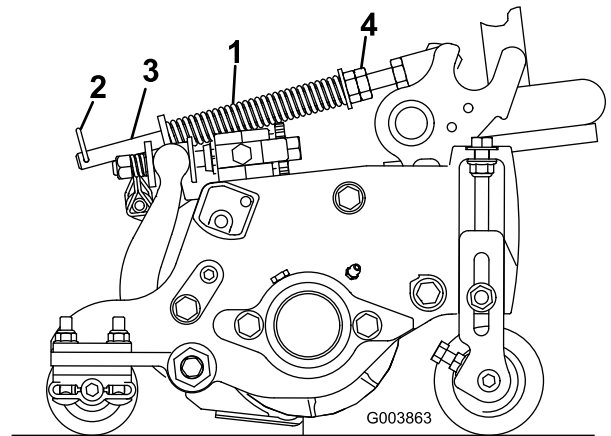
g027209

g027209

**Figure 15**

#2 Cutting Unit Location, Left Rear

- |                          |                    |
|--------------------------|--------------------|
| 1. Bulkhead bracket      | 3. Connector plate |
| 2. Extra flange-head nut |                    |



G003863

g003863

**Figure 16**

- |                             |               |
|-----------------------------|---------------|
| 1. Turf-compensation spring | 3. Spring rod |
| 2. Hairpin cotter           | 4. Hex nuts   |

2. Tighten the hex nuts on the front end of the spring rod until the compressed length of the spring is 12.7 cm (5 inches) for 5-inch cutting units or 15.9 cm (6.25 inches) for 7-inch cutting units (Figure 16).

**Note:** When operating on rough terrain decrease the spring length by 12.7 mm (1/2 inch). Ground following will be slightly decreased.

# 6

## Installing the CE Hood Latch

### Parts needed for this procedure:

1	Hood-latch assembly
1	Washer

### Procedure

1. Unlatch and raise the hood.
2. Remove the rubber grommet from the hole in the left side of the hood (Figure 17).

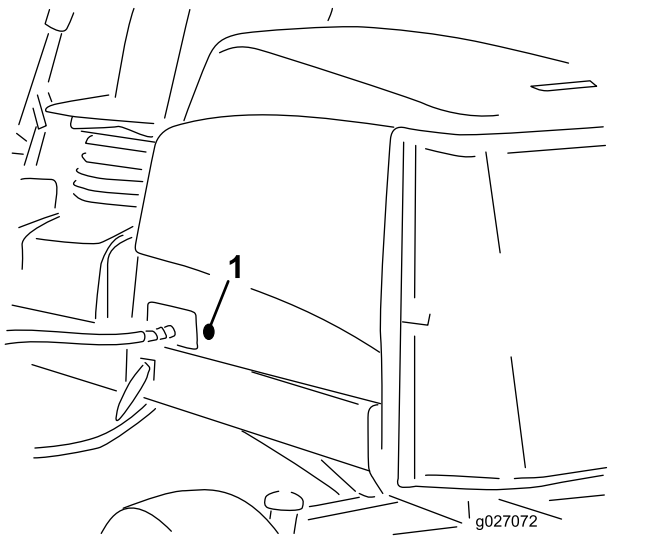


Figure 17

1. Rubber grommet

3. Remove the nut from the hood-latch assembly (Figure 18).

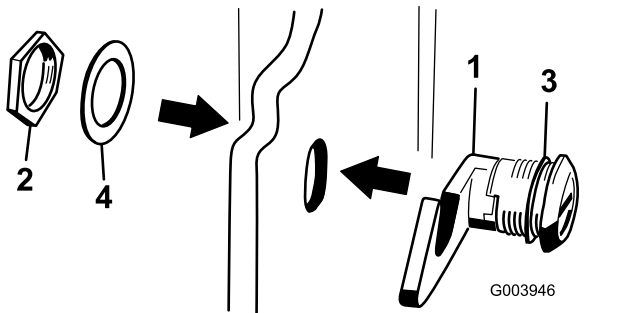


Figure 18

- |               |                  |
|---------------|------------------|
| 1. Hood latch | 3. Rubber washer |
| 2. Nut        | 4. Metal washer  |

4. Outside the hood, insert the hook end of the latch through the hole in the hood. Make sure that the rubber sealing washer remains on the outside of the hood.
5. Inside the hood, insert the metal washer onto the latch and secure with the nut. Make sure that the latch engages the frame catch when it is locked. Use the enclosed hood-latch key to operate the hood latch.

# 7

## Using the Cutting-Unit Kickstand

### Parts needed for this procedure:

1	Cutting unit kickstand
---	------------------------

### Procedure

Whenever the cutting unit has to be tipped to expose the bedknife/reel, prop up the rear of the cutting unit with the kickstand to make sure that the nuts on the back end of the bedbar-adjusting screws are not resting on the work surface (Figure 19).

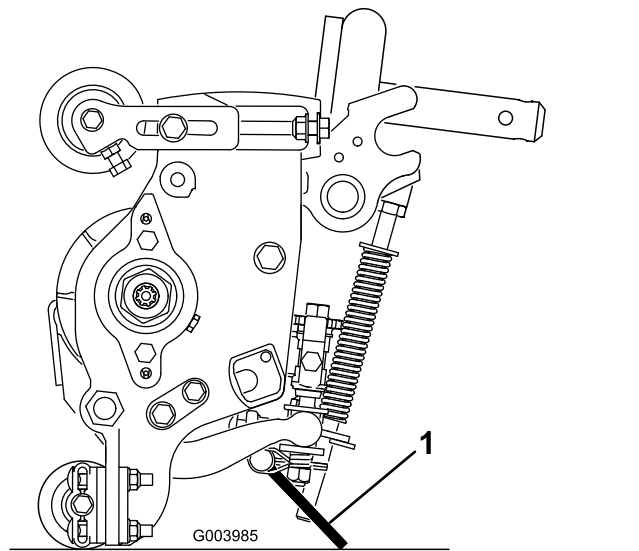
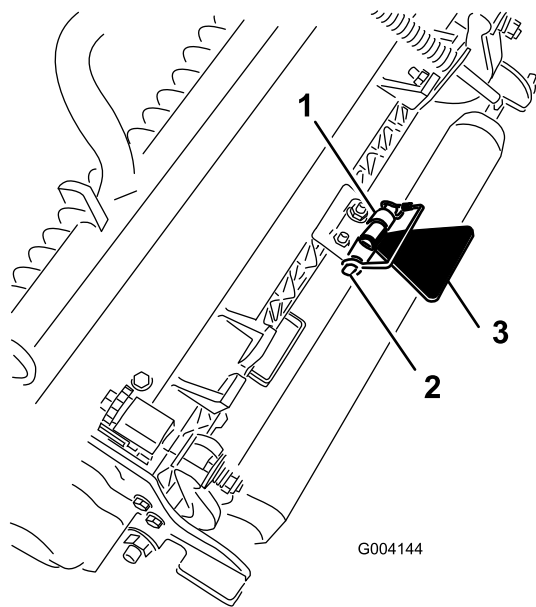


Figure 19

1. Cutting-unit kickstand

Secure the kickstand to the chain bracket with the snapper pin (Figure 20).

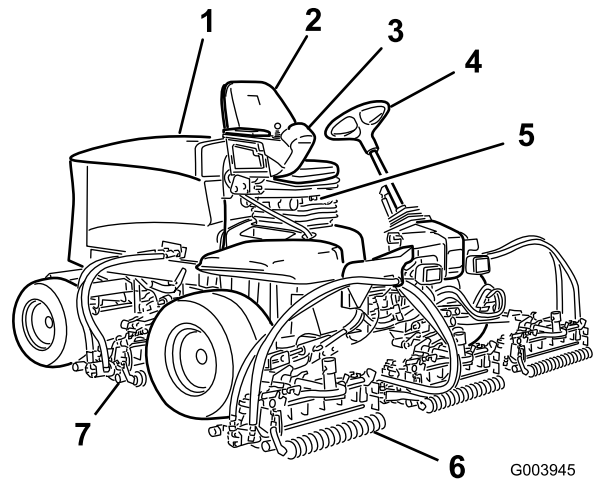


**Figure 20**

- 1. Chain bracket
- 2. Snapper pin
- 3. Cutting-unit kickstand

g004144

# Product Overview



**Figure 21**

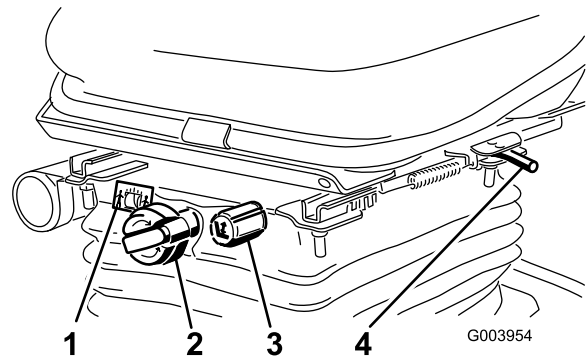
- 1. Engine hood
- 2. Operator's seat
- 3. Control arm
- 4. Steering wheel
- 5. Seat adjustments
- 6. Front cutting units
- 7. Rear cutting units

g003945

## Controls

### Seat-Adjusting Knobs

The seat-adjusting lever (Figure 22) allows you to adjust the seat fore and aft. The weight-adjusting knob adjusts the seat for your weight. The weight gauge indicates when the seat is adjusted to your weight. The height-adjusting knob adjusts the seat for your height.



**Figure 22**

- 1. Weight gauge
- 2. Weight-adjusting knob
- 3. Height-adjusting knob
- 4. Adjusting lever (fore and aft)

g003954

## Traction Pedal

The traction pedal (Figure 23) controls the forward and reverse operation. Press the top of the pedal to move forward and the bottom to move rearward. The ground speed depends on how far you press the pedal. For no load, maximum ground speed, fully press the pedal while the throttle is in the FAST position.

To stop the machine, reduce foot pressure on the traction pedal and allow it to return to the center position.

## Mow-Speed Limiter

When the mow-speed limiter (Figure 23) is flipped up it controls the mow speed and allows the cutting units to be engaged. Each spacer adjusts the mowing speed by 0.8 km/h (0.5 mph). The more spacers you have, on the top of the bolt the slower you go. For transport, flip back the mow-speed limiter and you will have maximum transport speed.

**Note:** When mowing in the Economy mode, the mowing ground speed is slightly reduced. Remove 1 spacer to achieve the same mowing speed as when mowing in the normal mode.

## Brake Pedal

Press the brake pedal (Figure 23) to stop the machine.

## Parking Brake

To engage the parking brake, (Figure 23) push down on the brake pedal and press the top forward to latch. To release the parking brake, press the brake pedal until the parking-brake latch retracts.

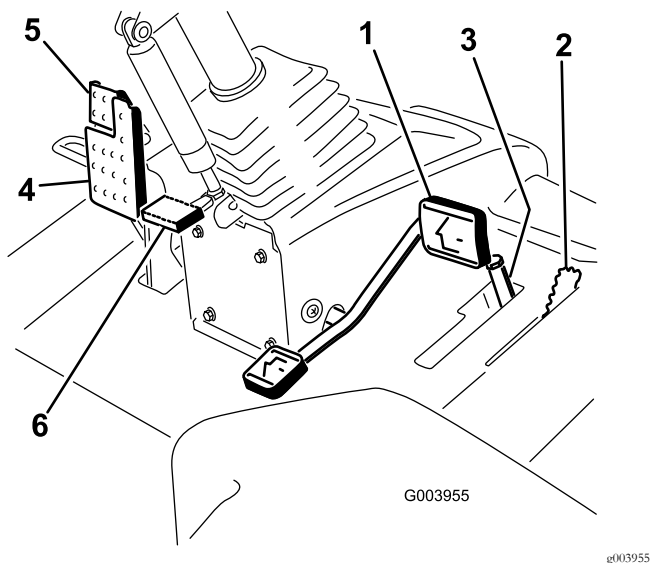


Figure 23

- |                      |                        |
|----------------------|------------------------|
| 1. Traction pedal    | 4. Brake pedal         |
| 2. Mow-speed limiter | 5. Parking brake       |
| 3. Spacers           | 6. Tilt-steering pedal |

## Tilt-Steering Pedal

To tilt the steering wheel toward you, press the foot pedal (Figure 23) down, pull the steering tower toward you to the most comfortable position, and then release the pedal.

## Engine-Speed Switch

The engine-speed switch (Figure 24) has 2 modes to change the engine speed. By momentarily tapping the switch, the engine speed can be increased or decreased in 100 rpm increments. By holding the switch down the engine automatically moves to High or Low idle, depending on which end of the switch is depressed.

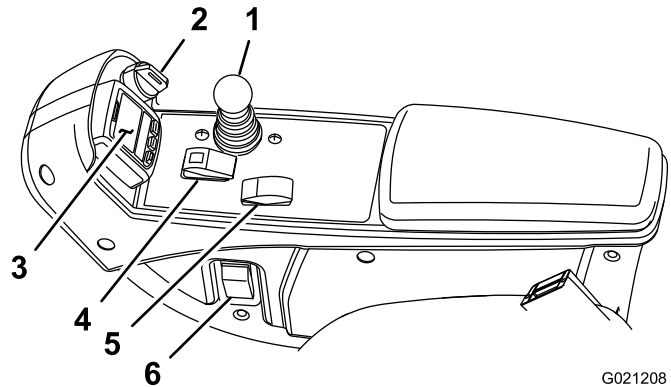


Figure 24

- |                                  |                                |
|----------------------------------|--------------------------------|
| 1. Lower mow/raise control lever | 4. Enable/disable switch lever |
| 2. Key switch                    | 5. Engine-speed switch         |
| 3. InfoCenter                    | 6. Headlight switch            |

## Key Switch

The key switch (Figure 24) has 3 positions: OFF, ON/PREHEAT, and START.

## Lower Mow/Raise Control Lever

This lever (Figure 24) raises and lowers the cutting units and also starts and stops the cutting units when the cutting units are enabled in the MOW mode. You cannot lower the cutting units when the mow/transport lever is in the TRANSPORT position.

## Headlight Switch

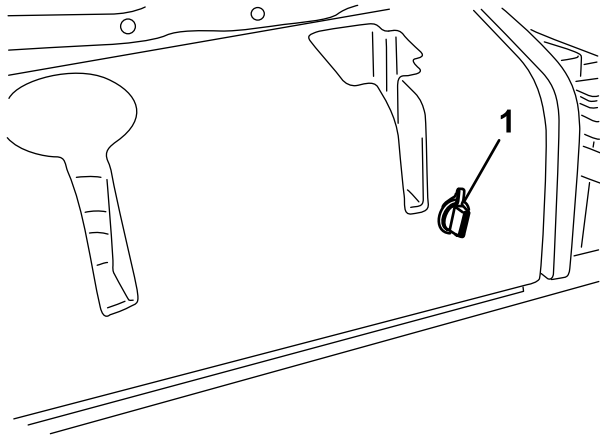
Pivot the switch downward to turn on the headlights (Figure 24).

## Enable/Disable Switch

Use the enable/disable switch (Figure 24) in conjunction with the lower mow/raise control lever to operate the cutting units.

## Power Point

The power point is a 12 V power supply for electronic devices (Figure 25).

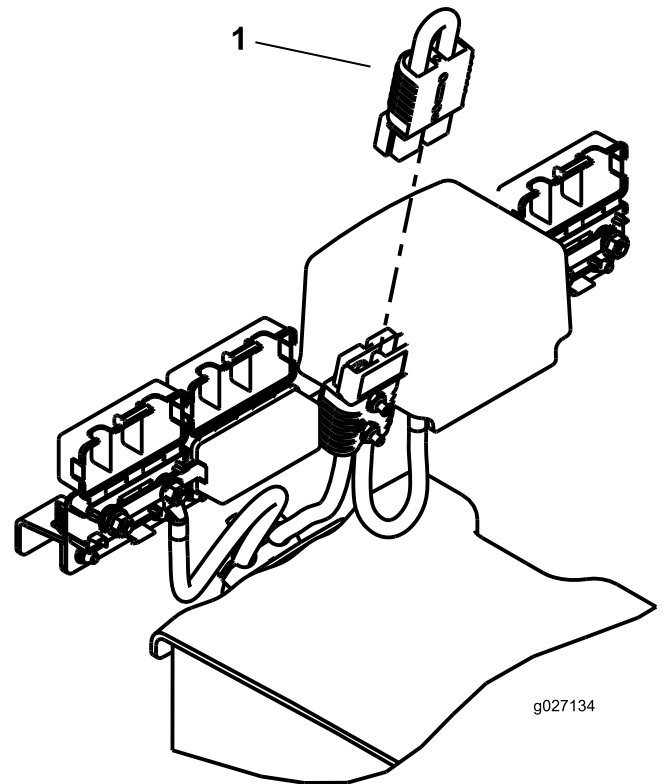


G004133

g004133

Figure 25

1. Power point



g027134

g027134

Figure 26

1. Power-disconnect connector

## Cutting-Unit-Power Disconnect

Before installing, removing, or working on the cutting units, disconnect the cutting units from the power supply by separating the cutting-unit-power-disconnect connector (Figure 26), located under the seat. Plug the connector back in before operating the machine.

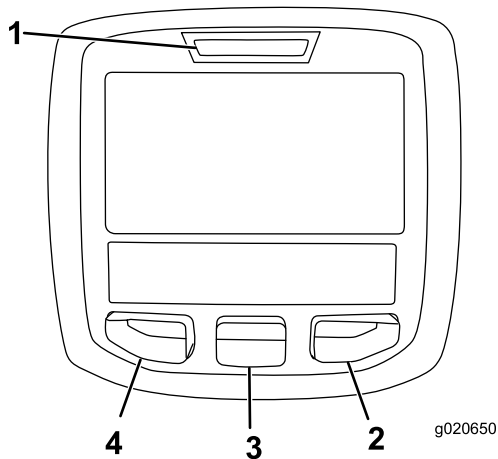
### **⚠ CAUTION**

If you do not disconnect the power to the cutting units, someone could accidentally start the cutting unit, causing serious injury to hands and feet.

Always separate the cutting-unit-power-disconnect connectors before working on the cutting units.

## Using the InfoCenter LCD Display

The InfoCenter LCD display shows information about your machine such as the operating status, various diagnostics and other information about the machine (Figure 27). There are multiple display screens on the InfoCenter. You can switch between the screens, at any time, by pressing any of the InfoCenter buttons and then selecting the appropriate directional arrow.



**Figure 27**

- 1. Indicator light
- 2. Right button
- 3. Middle button
- 4. Left button

















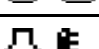

- Left Button, Menu Access/Back Button— Press this button to access the InfoCenter menus. You can use it to back out of any menu you are currently using.
- Middle Button— Press this button to scroll down menus.
- Right Button— Press this button to open a menu where a right arrow indicates additional content.

**Note:** The purpose of each button may change depending on what is required at the time. Each button is labeled with an icon displaying its current function.

## InfoCenter Icon Description

<b>SERVICE DUE</b>	Indicates when scheduled service should be performed
	Hour meter
	Info icon
	Fast
	Slow
	Fuel level
	The glow plugs are active.
	Raise the cutting units.
	Lower the cutting units.
	Sit in the seat.
	The parking brake is on.
<b>H</b>	The range is high (transport).
<b>N</b>	Neutral
<b>L</b>	The range is low (mow).
	Engine-coolant temperature (°C or °F)
	Temperature (hot)
	The PTO is engaged.
	Not allowed
	Start the engine.
	Stop the engine.
	Engine
	Key switch

## InfoCenter Icon Description (cont'd.)

	Battery
	Motor/Generator (not charging)
	Motor/Generator (charging)
	E-Reel
	Front Backlap
	Rear Backlap
	The cutting units are lowering.
	The cutting units are raising.
<b>PIN</b>	PIN passcode
<b>CAN</b>	CAN bus
	InfoCenter
<b>Bad</b>	Bad or failed
	Bulb
<b>OUT</b>	Output of TEC controller or control wire in harness
	Switch
	Release the switch.
	Change to the indicated state.
Symbols are often combined to form sentences. Some examples are shown below	
	Put the machine into Neutral.
	Engine start is denied.
	Engine shutdown
	Engine coolant is too hot.
	Sit down or set parking brake

## Using the Menus

To access the InfoCenter menu system, press the menu access button while at the main screen. This brings you to the main menu. Refer to the following tables for a synopsis of the options available from the menus:

Main Menu	
Menu Item	Description
Faults	The Faults menu contains a list of the recent machine faults. Refer to the <i>Service Manual</i> or contact your Toro Distributor for more information on the Faults menu and the information contained there.
Service	The Service menu contains information on the machine such as hours of use, counters, and other similar numbers.
Diagnostics	The Diagnostics menu displays the state of each machine switch, sensor, and control output. You can use this to troubleshoot certain issues as it quickly tells you which machine controls are on and which are off.
Settings	The Settings menu allows you to customize and modify configuration variables on the InfoCenter display.
About	The About menu lists the model number, serial number, and software version of your machine.

Service	
Menu Item	Description
Hours	Lists the total number of hours that the machine, engine and PTO have been on, as well as the number of hours the machine has been transported and service due.
Counts	Lists numerous counts the machine has experienced.

Diagnostics	
Menu Item	Description
Cutting Units	Indicates the inputs, qualifiers, and outputs for raising and lowering the cutting units.
Hi/Low Range	Indicates the inputs, qualifiers, and outputs for driving in transport mode.
PTO	Indicates the inputs, qualifiers, and outputs for enabling the PTO circuit.

Engine Run	Indicates the inputs, qualifiers, and outputs for starting the engine.
Backlap	Indicates the inputs, qualifiers and outputs for operating the backlap function.

Settings	
Menu Item	Description
Units	Controls the units used on the InfoCenter. The menu choices are English or Metric.
Language	Controls the language used on the InfoCenter*.
LCD Backlight	Controls the brightness of the LCD display.
LCD Contrast	Controls the contrast of the LCD display.
Front Backlap Reel Speed	Controls the speed of the front reels in backlap mode.
Rear Backlap Reel Speed	Controls the speed of the rear reels in backlap mode.
Protected Menus	Allows the superintendent/mechanic to access protected menus by inputting a passcode.
Auto Idle	Controls the amount of time allowed before returning the engine to low idle when the machine is stationary.
Blade Count	Controls the number of blades on the reel for reel speed.
Mow Speed	Controls the ground speed for determining the reel speed.
Height of cut (HOC)	Controls the height of cut (HOC) for determining the reel speed.
F Reel RPM	Displays the calculated reel speed position for the front reels. The reels can also be manually adjusted.
R Reel RPM	Displays the calculated reel speed position for the rear reels. The reels can also be manually adjusted.
Economy Mode	When activated, the Economy Mode lowers the engine speed while mowing to reduce noise and fuel consumption. The reel speed does not change, but the mow speed is decreased if the mow stop is not adjusted accordingly.

\*Only "operator-faced" text is translated. Faults, Service, and Diagnostics screens are "service-faced." Titles are in the selected language, but menu items are in English.

About	
Menu Item	Description
Model	Lists the model number of the machine.
SN	Lists the serial number of the machine.
Machine Controller Revision	Lists the software revision of the master controller.
CU 1 CU 2 CU 3 CU 4 CU 5	Lists the software revision of each cutting unit.
Generator	Lists the software revision of the motor/generator.
InfoCenter Revision	Lists the software revision of the InfoCenter.
CAN Bus	Lists the machine communication bus status.

## Protected Menus

There are 2 additional display screens and 7 operating configuration settings that are adjustable within the Settings Menu of the InfoCenter: Auto Idle, Blade Count, Mow Speed, Height of Cut (HOC), F Reel RPM, R Reel RPM, and Economy Mode. These settings can be locked by using the Protected Menu.

**Note:** At the time of delivery, the initial password code is programmed by your distributor.

## Accessing the Protected Menu Settings and Display Screens

To access the Protected Menu Settings and Display Screens

1. From the Main Menu, scroll down to the Settings Menu and press the right button.
2. In the Settings Menu, scroll down to the Protected Menu and press the right button.
3. To enter the passcode, use the center button to set the first digit then press the right button to move on to the next digit.
4. Use the center button to set the second digit then press the right button to move on to the next digit.
5. Use the center button to set the third digit then press the right button to move on to the next digit.
6. Use the center button to set the fourth digit then press the right button.
7. Press the middle button to enter the code.
8. If the code has been accepted and the protected menu has been unlocked, "PIN" is displayed in the upper right corner of the display screen.



**Note:** If the passcode has been forgotten or misplaced, please contact your distributor for assistance.

## Viewing and Changing the Protected Menu Settings

1. In the Protected Menu, scroll down to Protect Settings.
2. To view and change the settings without entering a passcode, use the right button to change the Protect Settings to OFF.
3. To view and change the settings with a passcode, use the left button to change the Protect Settings to ON, set the passcode, and turn the key in the ignition switch to the OFF position and then to the ON position.

## Setting the Auto Idle

1. In the Settings Menu, scroll down to Auto Idle.
2. Press the right button to change the auto idle time between OFF, 8S, 10S, 15S, 20S, and 30S.

## Setting the Blade Count

1. In the Settings Menu, scroll down to Blade Count
2. Press the right button to change the blade count between 5, 8 or 11 blade reels.

## Setting the Mow Speed

1. In the Settings Menu, scroll down to Mow Speed.
2. Press the right button to select Mow Speed.
3. Use the center and right button to select the appropriate mow speed set on the mechanical mow-speed limiter on the traction pedal.
4. Press the left button to exit mow speed and save the setting.

## Setting the Height of Cut (HOC)

1. In the Settings Menu, scroll down to HOC.
2. Press the right button to select HOC.
3. Use the center and right button to select the appropriate HOC setting. (If the exact setting is not displayed, select the nearest HOC setting from the list displayed).
4. Press the left button to exit HOC and save the setting.

## Setting the Front and Rear Reel Speeds

Although the front and rear reel speeds are calculated by inputting the number of blades, mow speed and HOC into the InfoCenter, the setting can be manually changed to accommodate for different mowing conditions.

1. To change the Reel Speed Settings, scroll down to the F Reel RPM, R Reel RPM, or both.
2. Press the right button to change the reel speed value. As the speed setting is changed, the display continues to show the calculated reel speed based on blade count, mow speed and HOC which was previously entered, but the new value also is displayed.

## Setting the Economy Mode

1. From the Main Menu, use the center button to scroll down to the Settings Menu.
2. Press the right button to select.
3. In the Settings Menu, use the center button to scroll down to the Economy Mode.
4. Press the right button to select the ON function.
5. Press the left button to save the setting and exit the settings.

## To Access Protected Display Screens

From the main screen, press the center button once, when the arrows appear above the buttons, press the center button again to scroll through the display screens.

Press the center button again to access the eReel information screen displaying the reel current and the speed for each of the 5 cutting units.

Press the center button again to access the energy mode screen displaying the components, energy flow and the direction while in operation.

# Specifications

**Note:** Specifications and design are subject to change without notice.

Transport Width	228 cm (90 inches)
Width of cut	254 cm (100 inches)
Length	282 cm (111 inches)
Height w/ ROPS	160 cm (63 inches)
Weight	1,259 kg (2,776 lb)
Engine	Kubota 24.8 hp
Fuel tank capacity	53 L (14 US gallons)
Transport speed	0 to 16 km/h (0 to 10 mph)
Mowing speed	0 to 13 km/h (0 to 8 mph)

## Attachments/Accessories

A selection of Toro approved attachments and accessories is available for use with the machine to enhance and expand its capabilities. Contact your Authorized Service Dealer or Distributor or go to [www.Toro.com](http://www.Toro.com) for a list of all approved attachments and accessories.

To best protect your investment and maintain optimal performance of your Toro equipment, count on Toro genuine parts. When it comes to reliability, Toro delivers replacement parts designed to the exact engineering specification of our equipment. For peace of mind, insist on Toro genuine parts.

# Operation

**Note:** Determine the left and right sides of the machine from the normal operating position.

## ⚠ CAUTION

If you leave the key in the ignition switch, someone could accidentally start the engine and seriously injure you or other bystanders.

Lower the cutting units to the ground, set the parking brake and remove the key from the ignition switch before servicing or making adjustments to the machine.

## Think Safety First

Carefully read all safety instructions and symbols in the safety section. Knowing this information could help you or bystanders avoid injury.

## ⚠ DANGER

Operating the machine on wet grass or steep slopes can cause sliding and loss of control.

Wheels dropping over edges can cause rollovers, which may result in serious injury, death or drowning.

Read and follow the rollover protection instructions and warnings.

To avoid loss of control and possibility of rollover:

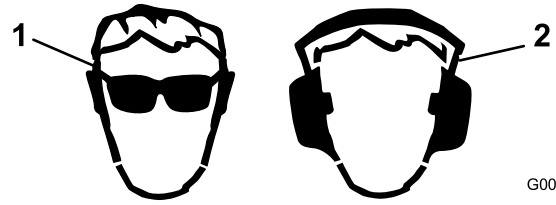
- Do not operate near drop-offs or near water.
- Do not operate on slopes greater than specified for your machine model.
- Reduce speed and use extreme caution on slopes.
- Avoid sudden turns or rapid speed changes.

## ⚠ CAUTION

This machine produces sound levels that can cause hearing loss through extended periods of exposure.

Wear hearing protection when operating this machine.

The use of protective equipment for eyes, ears, hands, feet, and head is recommended.



G009027

g009027

**Figure 28**

1. Wear eye protection.
2. Wear hearing protection.

# Checking the Engine-Oil Level

**Service Interval:** Before each use or daily

The engine is shipped with oil in the crankcase; however, the oil level must be checked before and after the engine is first started.

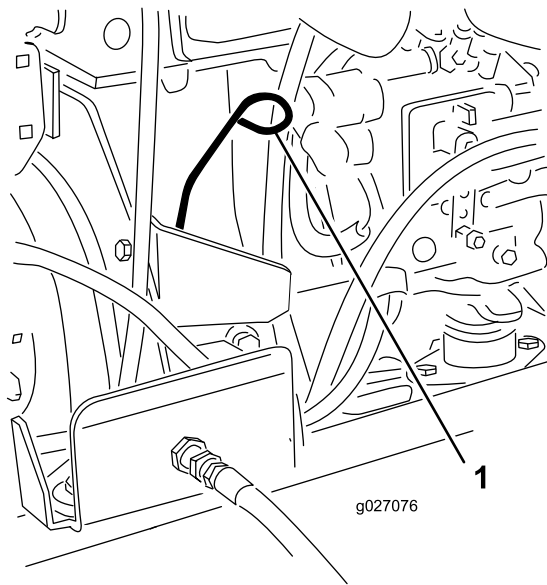
Crankcase capacity is approximately 3.3 L (3.5 US qt) with the filter.

Use high-quality engine oil that meets the following specifications:

- API Classification Level Required: CH-4, CI-4 or higher
- Preferred oil: SAE 15W-40 (above 0°F)
- Alternate oil: SAE 10W-30 or 5W-30 (all temperatures)

Toro Premium Engine oil is available from your distributor in either 15W-40 or 10W-30 viscosity.

1. Park the machine on a level surface, stop the engine, set the parking brake, and remove the key from the ignition switch.
2. Open the hood.
3. Remove the dipstick, wipe it clean, and install it (Figure 29).



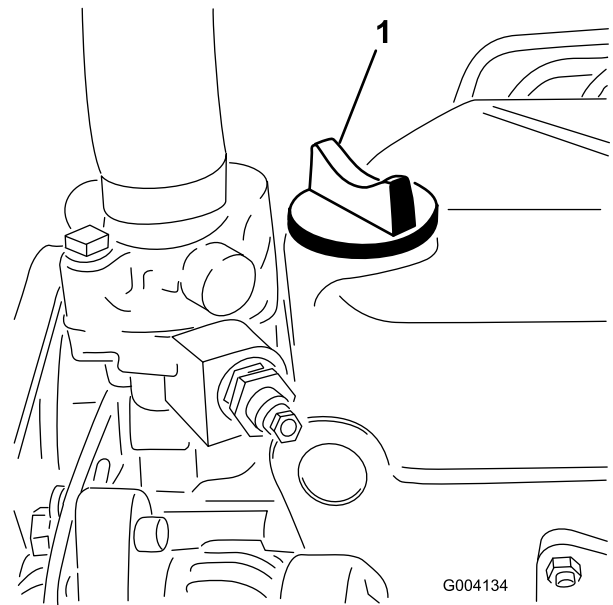
**Figure 29**

1. Dipstick

4. Remove the dipstick and check the oil level on the dipstick.

**Note:** The oil level should be up to the FULL mark.

5. If the oil level is below the FULL mark, remove the fill cap (Figure 30), and add oil until level reaches the FULL mark on the dipstick.



**Figure 30**

1. Oil-fill cap

**Do not overfill.**

**Important:** Make sure that you keep the engine-oil level between the upper and lower limits on the oil gauge. Engine failure may occur as a result of over filling or under filling the engine oil.

6. Install the oil-fill cap and close the hood.

## Adding Fuel

Use only clean, fresh diesel fuel or biodiesel fuels with low (<500 ppm) or ultra low (<15 ppm) sulfur content. The minimum cetane rating should be 40. Purchase fuel in quantities that can be used within 180 days to ensure fuel freshness.

**Fuel tank capacity:** 53 L (14 US gallons)

Use summer grade diesel fuel (No. 2-D) at temperatures above -7°C (20°F) and winter grade (No. 1-D or No. 1-D/2-D blend) below that temperature. Use of winter grade fuel at lower temperatures provides lower flash point and cold flow characteristics which eases starting and reduces fuel filter plugging.

Use of summer grade fuel above -7°C (20°F) contributes toward longer fuel pump life and increased power compared to winter grade fuel.

**Important:** Do not use kerosene or gasoline instead of diesel fuel. Failure to observe this caution damages the engine.

## ⚠ WARNING

Fuel is harmful or fatal if swallowed. Long-term exposure to vapors can cause serious injury and illness.

- Avoid prolonged breathing of vapors.
- Keep face away from nozzle and gas tank or conditioner opening.
- Keep fuel away from eyes and skin.

### Biodiesel Ready

This machine can also use a biodiesel blended fuel of up to B20 (20% biodiesel, 80% petrodiesel). The petrodiesel portion should be low or ultra low sulfur. Observe the following precautions:

- The biodiesel portion of the fuel must meet specification ASTM D6751 or EN14214.
- The blended fuel composition should meet ASTM D975 or EN590.
- Painted surfaces may be damaged by biodiesel blends.
- Use B5 (biodiesel content of 5%) or lesser blends in cold weather.
- Monitor seals, hoses, gaskets in contact with fuel as they may be degraded over time.
- Fuel filter plugging may be expected for a time after converting to biodiesel blended.
- Contact your distributor if you wish for more information on biodiesel.

## ⚠ DANGER

In certain conditions, fuel is extremely flammable and highly explosive. A fire or explosion from fuel can burn you and others and can damage property.

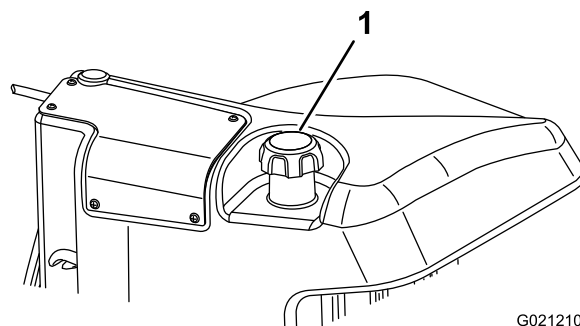
- Fill the fuel tank outdoors, in an open area, when the engine is cold. Wipe up any fuel that spills.
- Never fill the fuel tank inside an enclosed trailer.
- Never smoke when handling fuel, and stay away from an open flame or where fuel fumes may be ignited by a spark.
- Store fuel in an approved container and keep it out of the reach of children. Never buy more than a 30-day supply of fuel.
- Do not operate without entire exhaust system in place and in proper working condition.

## ⚠ DANGER

In certain conditions during fueling, static electricity can be released causing a spark which can ignite the fuel vapors. A fire or explosion from fuel can burn you and others and can damage property.

- Always place fuel containers on the ground away from your vehicle before filling.
- Do not fill fuel containers inside a vehicle or on a truck or trailer bed because interior carpets or plastic truck bed liners may insulate the container and slow the loss of any static charge.
- When practical, remove equipment from the truck or trailer and refuel the equipment with its wheels on the ground.
- If this is not possible, then refuel such equipment on a truck or trailer from a portable container, rather than from a fuel-dispenser nozzle.
- If a fuel-dispenser nozzle must be used, keep the nozzle in contact with the rim of the fuel tank or container opening at all times until fueling is complete.

1. Park the machine on a level surface.
2. Using a clean rag, clean the area around the fuel-tank cap.
3. Remove the cap from the fuel tank (Figure 31).



G021210

g021210

**Figure 31**

1. Fuel-tank cap

4. Fill the tank until the level is to the bottom of the filler neck with diesel fuel.
5. Install fuel-tank cap tightly after filling tank.

**Note:** If possible, fill the fuel tank after each use. This minimizes possible buildup of condensation inside the fuel tank.

# Checking the Cooling System

**Service Interval:** Before each use or daily

Clean debris off the screen, oil cooler, and front of the radiator daily and more often if conditions are extremely dusty and dirty. Refer to [Removing Debris from the Cooling System](#) (page 48).

The cooling system is filled with a 50/50 solution of water and permanent ethylene glycol antifreeze. Check the level of coolant in the expansion tank at the beginning of each day before starting the engine. The capacity of the cooling system is 5.2 L (5.5 US qt).

## ⚠ CAUTION

If the engine has been running, the pressurized, hot coolant can escape and cause burns.

- Do not open the radiator cap when the engine is running.
- Use a rag when opening the radiator cap, and open the cap slowly to allow steam to escape.

1. Check the level of coolant in the expansion tank ([Figure 32](#)).

The coolant level should be between the marks on the side of the tank.

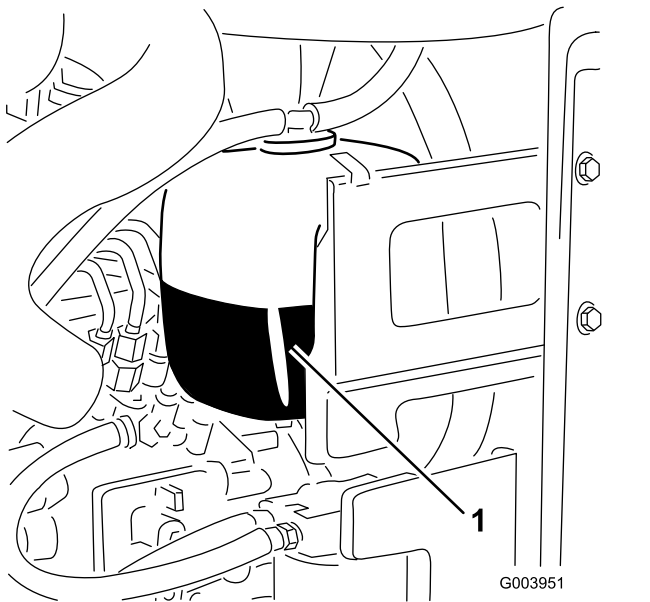


Figure 32

1. Expansion tank
- 
2. If the coolant level is low, remove the expansion tank cap and replenish the system. **Do not overfill.**
  3. Install the expansion-tank cap.

# Checking the Hydraulic Fluid

**Service Interval:** Before each use or daily

The machine's reservoir is filled at the factory with approximately 41.6 L (11 US gallons) of high-quality hydraulic fluid. Check the level of the hydraulic fluid before the engine is first started and daily thereafter. The recommended replacement fluid is as follows:

**Toro Premium All Season Hydraulic Fluid** (Available in 19 L (5 US gallon) pails or 208 L (55 US gallon) drums. See the *Parts Catalog* or your Toro Distributor for part numbers.)

**Alternate fluids:** If the Toro fluid is not available, other fluids may be used provided they meet all the following material properties and industry specifications. We do not recommend the use of synthetic fluid. Consult with your lubricant distributor to identify a satisfactory product.

**Note:** Toro does not assume responsibility for damage caused by improper substitutions, so use only products from reputable manufacturers who will stand behind their recommendation.

## High Viscosity Index/Low Pour Point Anti-wear Hydraulic Fluid, ISO VG 46

Material Properties:

Viscosity, ASTM D445      cSt @ 40°C 44 to 48  
cSt @ 100°C 7.9 to 8.5

Viscosity Index ASTM D2270      140 to 160

Pour Point, ASTM D97      -36.6°C (-34°F) to 9.4°C (-49°F)

Industry Specifications:

Vickers I-286-S (Quality Level), Vickers M-2950-S (Quality Level), Denison HF-0

**Important:** The ISO VG 46 Multigrade fluid has been found to offer optimal performance in a wide-range of temperature conditions. For operation in consistently high ambient temperatures, 18°C (65°F) to 49°C (120°F), ISO VG 68 hydraulic fluid may offer improved performance.

## Premium Biodegradable Hydraulic Fluid-Mobil EAL EnviroSyn 46H

**Important:** Mobil EAL EnviroSyn 46H is the only synthetic biodegradable fluid approved by Toro. This fluid is compatible with the elastomers used in Toro hydraulic systems and is suitable for a wide-range of temperature conditions. This fluid is compatible with conventional mineral oils, but for maximum biodegradability and performance the hydraulic system should be thoroughly flushed of conventional fluid. The oil is available in 19 L (5 US gallon) containers or 208 L (55 US gallon) drums from your Mobil Distributor.

**Important:** Many hydraulic fluids are almost colorless, making it difficult to spot leaks. A red dye additive for

the hydraulic system oil is available in 20 ml (2/3 oz) bottles. 1 bottle is sufficient for 15 to 22 L (4 to 6 US gallons) of hydraulic oil. Order Part Number 44-2500 from your Toro Distributor.

1. Position machine on a level surface, lower the cutting decks, and stop the engine.
2. Clean the area around filler neck and cap of the hydraulic tank (Figure 33).

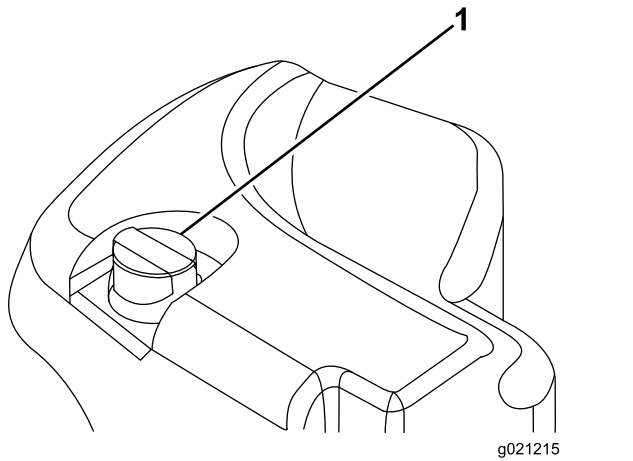


Figure 33

1. Hydraulic-tank cap

3. Remove the cap/dipstick from the filler neck and wipe it with a clean rag.
4. Insert the dipstick into the filler neck; then remove it and check the level of fluid.

**Note:** The fluid level should be within the operating range on the dipstick.

**Important:** Do not overfill.

5. If level is low, add appropriate fluid to raise the level to the FULL mark.
6. Install the cap/dipstick onto the filler neck.

## Checking the Reel-to-Bedknife Contact

**Service Interval:** Before each use or daily

Each day before operating, check the reel-to-bedknife contact, regardless if the quality of cut had previously been acceptable. There must be light contact across the full length of the reel and the bedknife (refer to Adjusting the Reel to Bedknife in the cutting unit *Operator's Manual*).

## Checking the Torque of the Wheel Nuts

**Service Interval:** After the first hour

After the first 10 hours

Every 250 hours

Torque the wheel nuts to 94 to 122 N·m (70 to 90 ft-lb).

### ⚠ WARNING

Failure to maintain proper torque of the wheel nuts could result in personal injury.

## Breaking in the Machine

To ensure optimum performance of the parking brake system, burnish (break in) the brakes before use. Set the forward traction speed to 6.4 km/h (4 mph) to match the reverse traction speed (all 8 spacers moved to the top of the mow-speed control). With the engine at high idle, proceed forward with the mow-speed-control stop engaged and ride the brake for 15 seconds. Proceed backward at full reverse speed and ride the brake for 15 seconds. Repeat this 5 times waiting 1 minute between each forward and reverse cycle to avoid overheating the brakes. An adjustment to the brakes may be required after break-in; refer to [Adjusting the Parking Brakes](#) (page 49).

## Bleeding the Fuel System

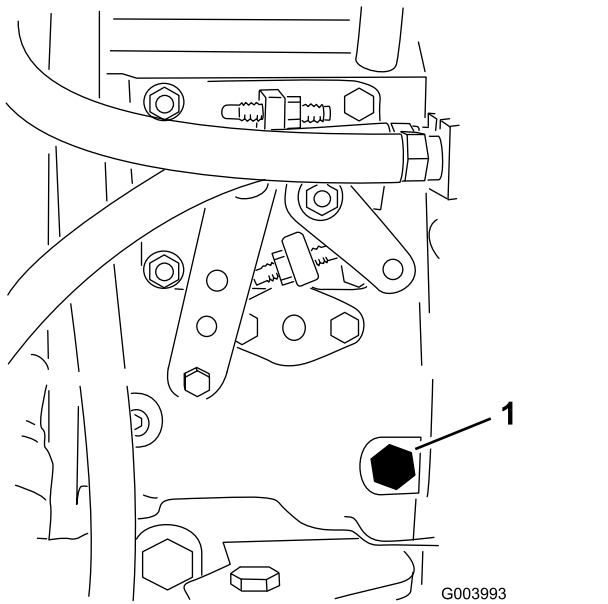
You must bleed the fuel system before starting the engine if any of the following situations have occurred:

- Initial start-up of a new machine.
- Engine has ceased running due to lack of fuel.
- Maintenance has been performed upon fuel system components; i.e., filter replaced, separator serviced, etc.

## **▲ DANGER**

Under certain conditions, diesel fuel and fuel vapors are highly flammable and explosive. A fire or explosion from fuel can burn you and others and can cause property damage.

- Use a funnel and fill the fuel tank outdoors, in an open area, when the engine is off and is cold. Wipe up any fuel that spills.
  - Do not fill the fuel tank completely full. Add fuel to the fuel tank until the level is 6 to 13 mm (1/4 to 1/2 inch) below the bottom of the filler neck. This empty space in the tank allows the fuel to expand.
  - Never smoke when handling fuel, and stay away from an open flame or where fuel fumes may be ignited by a spark.
  - Store fuel in a clean, safety-approved container and keep the cap in place.
1. Park the machine on a level surface and ensure that the fuel tank is at least half full.
  2. Open the hood.
  3. Open the air-bleed screw on the fuel-injection pump (Figure 34) with a 12 mm wrench.



**Figure 34**

1. Bleed screw

4. Turn the key in the ignition switch to the ON position. The electric fuel pump begins operation, thereby forcing air out around the air bleed screw. Leave the key in the ON position until a solid stream of fuel flows out around the screw.
5. Tighten the screw and turn the key to the OFF position.

**Note:** Normally, the engine should start after the above bleeding procedures are followed. However, if engine does not start, air may be trapped between injection pump and injectors; refer to [Bleeding Air from the Fuel Injectors \(page 44\)](#).

## **Starting and Stopping the Engine**

**Important:** You must bleed the fuel system before starting the engine if you are starting the engine for the first time, the engine has stopped due to lack of fuel, or you have performed maintenance on the fuel system; refer to [Bleeding the Fuel System \(page 31\)](#).

### **Starting the Engine**

1. Sit on the seat, keep your foot off the traction pedal so that it is in NEUTRAL, engage the parking brake, set the engine-speed switch to the FAST position, and ensure that the Enable/Disable switch is in the DISABLE position.
2. Turn the key in the ignition switch to the ON/PREHEAT position.

An automatic timer controls the glow plug preheat for 6 seconds.

3. After preheating the glow plugs, turn the key to the START position.

Crank the engine for no longer than 15 seconds. Release the key when the engine starts. If additional preheating is required, turn the key to the OFF position and then to the ON/PREHEAT position. Repeat this process as required.

4. Run the engine at low idle speed until it warms up.

### **Stopping the Engine**

1. Move all controls to NEUTRAL, set the parking brake, move the engine-speed switch to the low idle position, and allow the engine to reach low idle speed.

**Important:** Allow the engine to idle for 5 minutes before shutting it off after a full load operation. Failure to do so may lead to trouble on a turbo-charged engine.

2. Turn the key to the OFF position and remove it from the switch.





## Adjusting the Lift-Arm Counterbalance

You can adjust the counterbalance on the rear cutting unit lift arms to compensate for different turf conditions and to maintain a uniform height of cut in the rough conditions or in areas of thatch buildup.

You can adjust each counterbalance spring to 1 of 4 settings. Each increment increases or decreases counterbalance on the cutting unit by 2.3 kg (5 lb). The springs can be positioned on the back side of the first spring actuator to remove all counterbalance (forth position).

1. Position the machine on a level surface, lower the cutting units, stop the engine, engage the parking brakes, and remove the key from the ignition switch.
2. Insert a tube or similar object onto the long spring end and pivot it around the spring actuator to the desired position (Figure 37).

### ⚠ CAUTION

The springs are under tension.

Use caution when adjusting them.

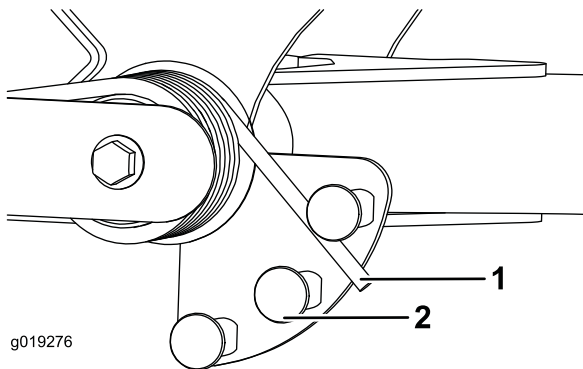


Figure 37

1. Spring
2. Spring actuator

3. Repeat the procedure on the other spring.

## Adjusting the Lift-Arm Turnaround Position

1. Position the machine on a level surface, lower the cutting units, stop the engine, engage the parking brakes, and remove the key from the ignition switch.
2. The lift-arm switch is located underneath the hydraulic tank behind the front, right lift arm (Figure 38).
3. Loosen the switch-mounting screws and move the switch down to increase the lift-arm turnaround height or move the switch up to decrease the lift-arm turnaround height.

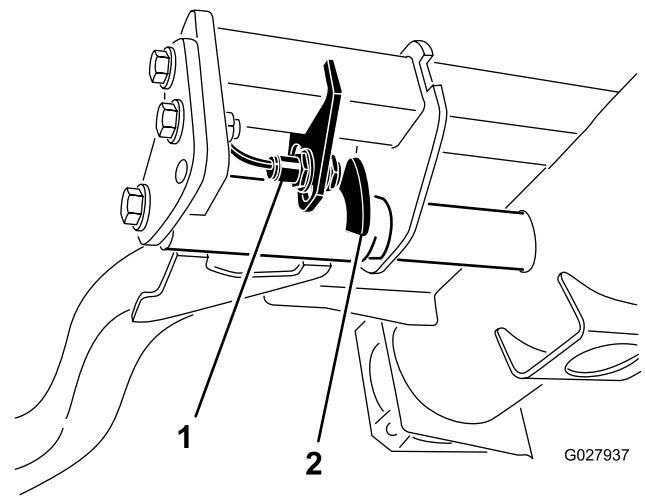


Figure 38

1. Switch
2. Lift-arm sensing device

4. Tighten the mounting screws.

## Pushing or Towing the Machine

In an emergency, the machine can be moved by actuating the bypass valve in the variable displacement hydraulic pump and pushing or towing the machine.

**Important:** Do not push or tow the machine faster than 3 to 4.8 km/h (2 to 3 mph) because internal transmission damage may occur. The bypass valve must be open whenever the machine is pushed or towed.

1. The bypass valve is located on the left side of the hydrostat (Figure 39). Rotate the bolt 1–1/2 turns to open and allow oil to bypass internally. Because fluid is bypassed, the machine can be moved slowly without damaging the transmission.

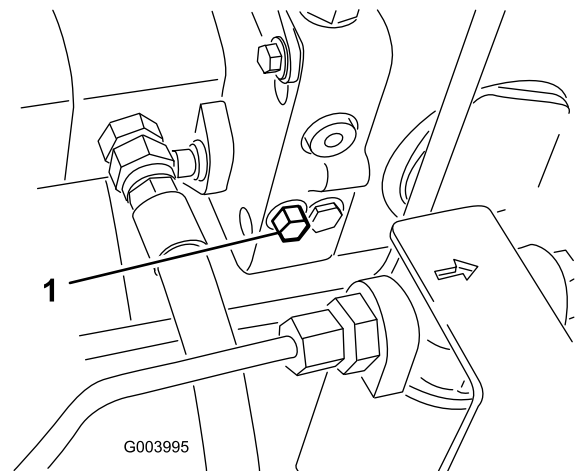


Figure 39

1. Bypass valve

2. Close the bypass valve before starting the engine. However, do not exceed 7 to 11 N-m (5 to 8 ft-lb) torque to close the valve.

**Important:** Running the engine with the bypass valve open causes the transmission to overheat.

## Transporting the Machine

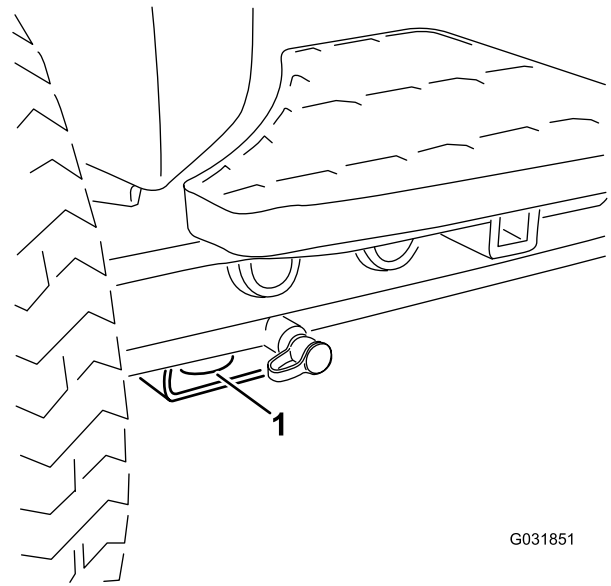
Use a heavy-duty trailer or truck to transport the machine. Ensure that the trailer or truck has all necessary brakes, lighting, and marking as required by law. Please carefully read all the safety instructions.

### **⚠ WARNING**

**Driving on the street or roadway without turn signals, lights, reflective markings, or a slow-moving vehicle emblem is dangerous and can lead to accidents causing personal injury.**

**Do not drive the machine on a public street or roadway.**

1. If you are using a trailer, connect it to the towing vehicle and connect the safety chains.
2. If applicable, connect the trailer brakes.
3. Load the machine onto the trailer or truck.
4. Stop the engine, remove the key, set the brake, and close the fuel valve.
5. Use the metal tie-downs on the machine to securely fasten the machine to the trailer or truck with straps, chains, cable, or ropes.
  - Front—the hole in the rectangular pad, under the axle tube, inside each front tire (Figure 40).



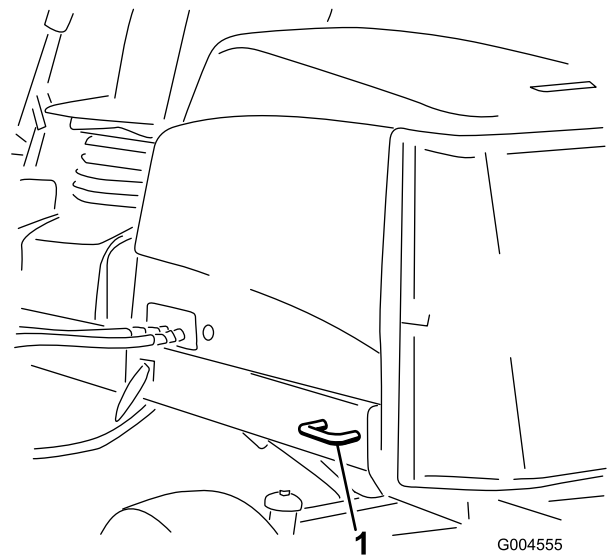
G031851

g031851

**Figure 40**

1. Front tie-down

- Rear—each side of the machine on the rear frame (Figure 41).



G004555

g004555

**Figure 41**

1. Rear tie-down

## Hauling the Machine

- Use care when loading or unloading the machine into a trailer or a truck.
- Use full-width ramps for loading the machine into a trailer or a truck.
- Tie the machine down securely using straps, chains, cable, or ropes. Both front and rear straps should be directed down and outward from the machine.

## Jacking Points

**Note:** Use jack stands to support the machine when required.

- Front—rectangular pad, under the axle tube, inside each front tire (Figure 42).

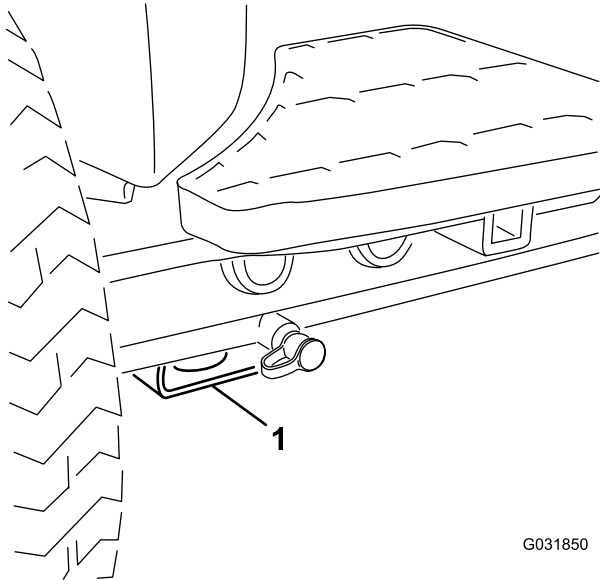


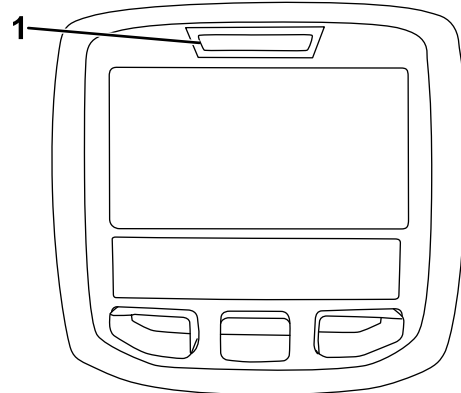
Figure 42

1. Front jacking point

- Rear—rectangular axle tube on the rear axle.

## The Diagnostic Light

The machine is equipped with a diagnostic light which indicates if the electronic controller senses an electronic malfunction. The diagnostic light is located on the control arm (Figure 43). When the machine is functioning properly and the key switch is moved to the ON/RUN position, the diagnostic light turns on briefly to indicate that the light is working properly. When a machine advisory message appears, the light illuminates when the message is present. When a fault message appears, the light blinks until the fault is resolved.



g021272

g021272

Figure 43

1. Diagnostic light

## Checking the Interlock Switches

The purpose of the interlock switches is to prevent the engine from cranking or starting unless the traction pedal is in the NEUTRAL position, the Enable/Disable switch is in the DISABLE position, and the Lower Mow/Raise control is in the NEUTRAL position. In addition, the engine should stop when you press the traction pedal while you are off the seat or if the parking brake is engaged.

### ⚠ CAUTION

If safety interlock switches are disconnected or damaged, the machine could operate unexpectedly, causing personal injury.

- Do not tamper with the interlock switches.
- Check the operation of the interlock switches daily and replace any damaged switches before operating the machine.

## Verifying the Function of the Interlock Switch

**Service Interval:** Before each use or daily—Check the operation of the interlock switches.

1. Park the machine on a level surface, lower the cutting units, stop the engine, and engage the parking brake.
2. Turn the key in the ignition switch to the ON position, but do not start the machine.
3. Locate the appropriate switch function in the diagnostics menu on the InfoCenter.
4. Individually, change each of the switches from open to closed (i.e., sit on seat, engage traction pedal, etc.), and note that the appropriate state of the switch changes.

**Note:** Repeat this for all switches that you can change by hand.

5. If a switch is closed and the appropriate indicator does not change, check all wiring and connections to the switch and/or check the switches with an ohm meter.

**Note:** Replace any defective switches and repair any defective wiring.

**Note:** The InfoCenter display also has the ability to detect which output solenoids or relays are turned on. This is a quick way to determine if a machine malfunction is electrical or hydraulic.

## Verifying the Output Function

1. Park the machine on a level surface, lower the cutting units, stop the engine, and engage the parking brake.
2. Turn the key in the ignition switch to the ON position and start the machine.
3. Locate the appropriate output function in the diagnostics menu on the InfoCenter.
4. Sit on the seat and attempt to operate the desired function of the machine.

**Note:** The appropriate outputs should change state to indicate that the ECM is turning on that function.

If the correct outputs do not illuminate, verify that the required input switches are in the necessary positions to allow that function to occur. Verify correct switch function.

If the output displays are on as specified, but the machine does not function properly, this indicates a non-electrical problem. Repair the machine as necessary.

## Hydraulic-Valve Solenoid Functions

Use the list below to identify and describe the different functions of the solenoids in the hydraulic manifold. Each solenoid must be energized to allow the function to occur.

Solenoid	Function
SVRV	Lift/lower cutting units
SV1	Lift/lower front cutting unit
SV3	Lift/lower rear cutting unit
SV2	Raise any cutting units

## Operating Tips

### Familiarization

Before mowing grass, practice operating the machine in an open area. Start and stop the engine. Operate in forward and reverse. Lower and raise the cutting units and engage and disengage the reels. When you feel familiar with the machine, practice operating up and down slopes at different speeds.

### Warning System

If a warning light comes on during operation, stop the machine immediately and correct the problem before continuing operation. Serious damage could occur if you operate the machine with a malfunction.

### Mowing

Start the engine and move the throttle to the FAST position. Move the Enable/Disable switch to the ENABLE position and use the Lower Mow/Raise lever to control the cutting units (the front cutting units are timed to lower before the rear cutting units). To move forward and cut grass, press the traction pedal forward.

**Note:** Allow the engine to idle for 5 minutes before shutting it off after a full load operation. Failure to do so may lead to turbo-charger trouble.

### Transport

Move the Enable/Disable switch to the DISABLE position and raise the cutting units to the TRANSPORT position. Move the Mow/Transport lever to the TRANSPORT position. Be careful when driving between objects so you do not accidentally damage the machine or cutting units. Use extra care when operating the machine on slopes. Drive slowly and avoid sharp turns on slopes to prevent rollovers. Lower the cutting units when going downhill for steering control.

# Maintenance

**Note:** Determine the left and right sides of the machine from the normal operating position.

## Recommended Maintenance Schedule(s)

Maintenance Service Interval	Maintenance Procedure
After the first hour	<ul style="list-style-type: none"> <li>• Torque the wheel lug nuts to 94 to 122 N·m (70 to 90 ft-lb).</li> </ul>
After the first 8 hours	<ul style="list-style-type: none"> <li>• Check the condition and tension of the alternator belt.</li> </ul>
After the first 10 hours	<ul style="list-style-type: none"> <li>• Torque the wheel lug nuts to 94 to 122 N·m (70 to 90 ft-lb).</li> </ul>
After the first 50 hours	<ul style="list-style-type: none"> <li>• Change the engine oil and filter.</li> <li>• Check the engine rpm (idle and full throttle).</li> </ul>
Before each use or daily	<ul style="list-style-type: none"> <li>• Check the engine-oil level.</li> <li>• Check the cooling system.</li> <li>• Check the hydraulic-fluid level.</li> <li>• Check the reel to bedknife contact.</li> <li>• Check the operation of the interlock switches.</li> <li>• Drain water or other contaminants from the water separator.</li> <li>• Remove debris from the screen, oil coolers, and radiator. (More frequently in dirty operating conditions).</li> <li>• Check the hydraulic lines and hoses.</li> </ul>
Every 50 hours	<ul style="list-style-type: none"> <li>• Grease the bearings and bushings (and immediately after every washing).</li> <li>• Clean the battery and check the condition of it. (Or weekly, whichever comes first).</li> <li>• Check the battery-cable connections.</li> </ul>
Every 100 hours	<ul style="list-style-type: none"> <li>• Inspect the cooling system hoses.</li> <li>• Check the condition and tension of the alternator belt.</li> </ul>
Every 150 hours	<ul style="list-style-type: none"> <li>• Change the engine oil and filter.</li> </ul>
Every 200 hours	<ul style="list-style-type: none"> <li>• Drain moisture from the fuel and hydraulic fluid tanks.</li> <li>• Check the reel bearing preload.</li> </ul>
Every 250 hours	<ul style="list-style-type: none"> <li>• Torque the wheel lug nuts to 94 to 122 N·m (70 to 90 ft-lb).</li> </ul>
Every 400 hours	<ul style="list-style-type: none"> <li>• Service the air cleaner. (Service the air cleaner earlier if the air cleaner indicator shows red. Service it more frequently in extremely dirty or dusty conditions.)</li> <li>• Check the fuel lines and connections for deterioration, damage, or loose connections. (Or yearly, whichever comes first).</li> <li>• Replace the fuel-filter canister.</li> <li>• Check the engine rpm (idle and full throttle).</li> </ul>
Every 800 hours	<ul style="list-style-type: none"> <li>• Drain and clean the fuel tank.</li> <li>• Check the rear wheel toe-in.</li> <li>• Change the hydraulic fluid.</li> <li>• Change the hydraulic filter.</li> <li>• Pack the rear wheel bearings (2 wheel drive machines only).</li> <li>• Adjust the engine valves (refer to the engine owner's manual).</li> </ul>
Before storage	<ul style="list-style-type: none"> <li>• Drain and clean the fuel tank.</li> </ul>
Every 2 years	<ul style="list-style-type: none"> <li>• Flush and replace the cooling system fluid.</li> <li>• Drain and flush the hydraulic tank.</li> <li>• Replace all hydraulic moving hoses.</li> </ul>

# Daily Maintenance Checklist

Duplicate this page for routine use.

Maintenance Check Item	For the week of:						
	Mon.	Tues.	Wed.	Thurs.	Fri.	Sat.	Sun.
Check the safety interlock operation.							
Check the brake operation.							
Check the engine oil and fuel level.							
Drain the water/fuel separator.							
Check the air filter restriction indicator.							
Check the radiator and screen for debris.							
Check unusual engine noises. <sup>1</sup>							
Check unusual operating noises.							
Check the hydraulic system oil level.							
Check hydraulic hoses for damage.							
Check for fluid leaks.							
Check the tire pressure.							
Check the instrument operation.							
Check the reel-to-bedknife adjustment.							
Check the height-of-cut adjustment.							
Check all grease fittings for lubrication. <sup>2</sup>							
Touch-up damaged paint.							
<p>1. Check the glow plug and injector nozzles if hard starting, excess smoke, or rough running is noted.</p> <p>2. Immediately after every washing, regardless of the interval listed</p>							

## Notation for Areas of Concern

Inspection performed by:		
Item	Date	Information
1		
2		
3		
4		
5		
6		
7		
8		

**Important:** Refer to your engine owner's manual for additional maintenance procedures.

**Note:** Download a free copy of the electrical or hydraulic schematic by visiting [www.Toro.com](http://www.Toro.com) and searching for your machine from the Manuals link on the home page.

# Service Interval Chart

**REELMASTER 5010-H/ 5410/5510/5610 & GROUNDMASTER 4300**  
**QUICK REFERENCE AID**

CHECK/SERVICE (daily)

1. OIL LEVEL, ENGINE	6. RADIATOR SCREEN
2. OIL LEVEL, HYDRAULIC TANK	7. BRAKE FUNCTION
3. COOLANT LEVEL, RADIATOR	8. TIRE PRESSURE
4. FUEL /WATER SEPARATOR	9. BELTS (FAN, ALT.)
5. PRECLEANER – AIR CLEANER	GREASING -- SEE OPERATOR'S MANUAL

**FLUID SPECIFICATIONS/CHANGE INTERVALS**

SEE OPERATOR'S MANUAL FOR INITIAL CHANGES.	FLUID TYPE	CAPACITY	CHANGE INTERVAL		FILTER PART NO.
			FLUID	FILTER	
A. ENGINE OIL	SAE 15W-40CI-4	3.5 QTS.* (5010-H) 5.5 QTS.*	150 HRS.	150 HRS.	104-5167
B. HYD. CIRCUIT OIL	ISO VG 46/68	11 GALS.* (5010-H) 15 GALS.*	800 HRS.	SEE INDICATOR	94-2621**
				800 HRS.	86-2010
C. AIR CLEANER				SEE INDICATOR	108-3810 (5010-H) 108-3810 (5410) 108-3812 (5610) 110-9049 (4300)
D. WATER SEPARATOR				400 HRS.	110-9049
E. FUEL TANK	NO. 2-DIESEL	14 GALS.	DRAIN AND FLUSH, 2 YRS.		
F. COOLANT	50/50 ETHYLENE GLYCOL/WATER	5.5 QTS. (5010-H)	DRAIN AND FLUSH, 2 YRS.		
		7.0 QTS. (5410) (5510)			
		10.0 QTS. (5610) (4300)			

\* INCLUDING FILTER \*\* EXCLUDES 5010-H

125-8753

Figure 44

decal125-8753

## CAUTION

If you leave the key in the ignition switch, someone could accidentally start the engine and seriously injure you or other bystanders.

Remove the key from the ignition before you perform any maintenance.

## Lubrication

### Greasing the Bearings and Bushings

**Service Interval:** Every 50 hours (and immediately after every washing).

Lubricate all grease fittings for the bearings and bushings with No. 2 lithium grease.

The grease fitting locations and quantities are as follows:

- Pump driveshaft U-joint (3) (Figure 45)

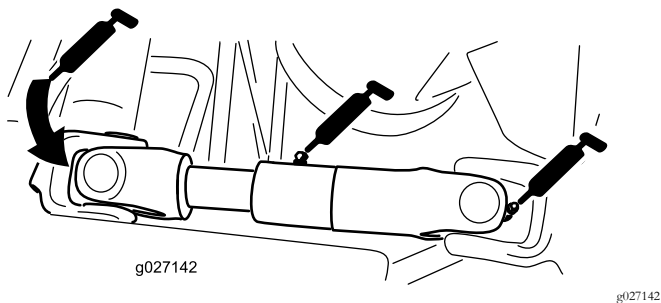


Figure 45

(Shown with the motor/generator cover removed)

- Cutting-unit lift-arm cylinders (2 each) (Figure 46)

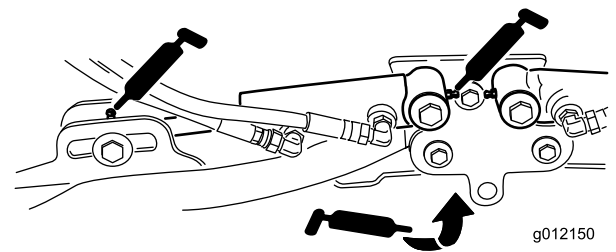


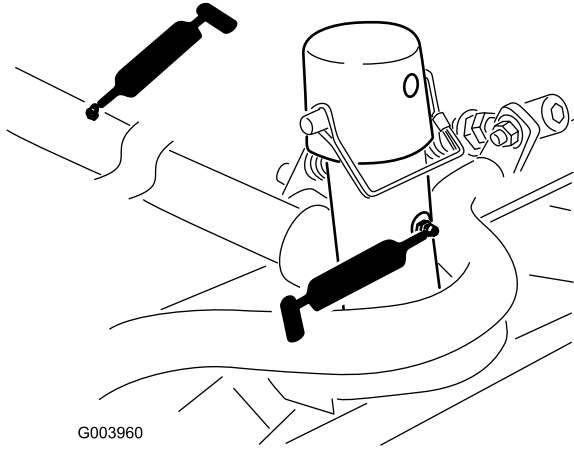
Figure 46

g012150

- Lift-arm pivots (1 each) (Figure 46)

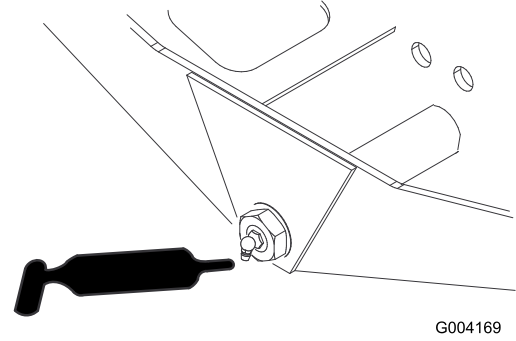


- Cutting-unit carrier-frame and pivot (2 each) (Figure 47)



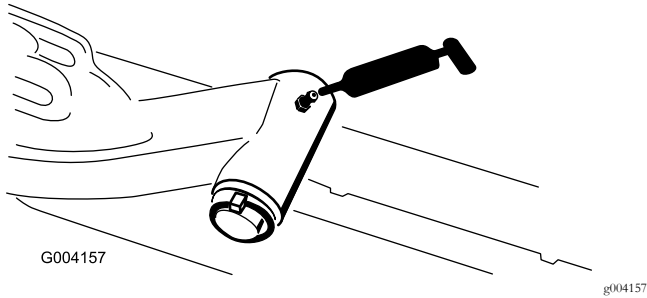
**Figure 47**

- Axle-steering pivot (1) (Figure 50)



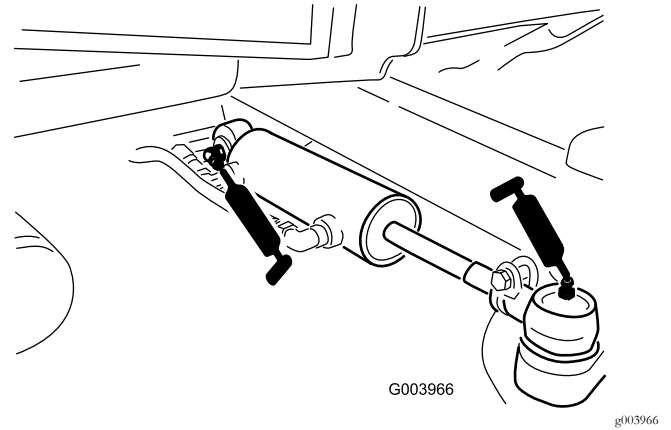
**Figure 50**

- Lift-arm-pivot shaft (1 each) (Figure 48)



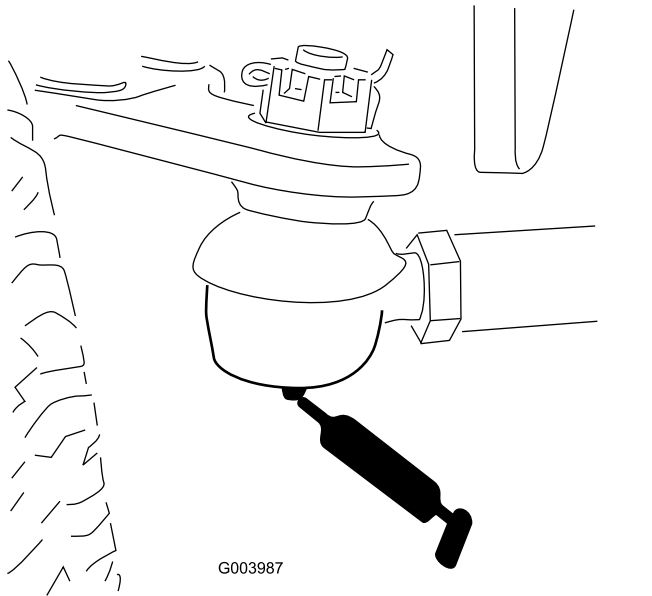
**Figure 48**

- Steering-cylinder ball joints (2) (Figure 51)



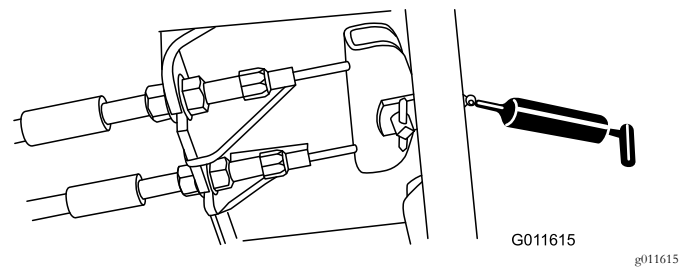
**Figure 51**

- Rear axle tie rod (2) (Figure 49)



**Figure 49**

- Brake pedal (1) (Figure 52)



**Figure 52**

# Engine Maintenance

## Servicing the Air Cleaner

**Service Interval:** Every 400 hours (Service the air cleaner earlier if the air cleaner indicator shows red. Service it more frequently in extremely dirty or dusty conditions.)

Check the air cleaner body for damage which could cause an air leak. Replace if damaged. Check the whole intake system for leaks, damage, or loose hose clamps.

Service the air cleaner filter only when the service indicator (Figure 53) requires it. Changing the air filter before it is necessary only increases the chance of dirt entering the engine when you remove the filter.

**Important:** Make sure that the cover is seated correctly and seals with the air-cleaner body.

1. Release the latches securing the air-cleaner cover to the air-cleaner body (Figure 53).

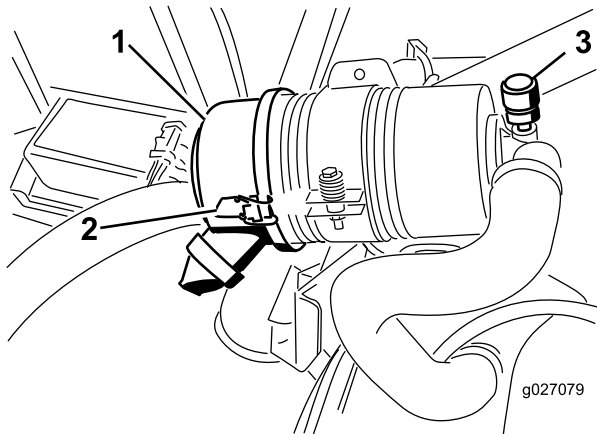


Figure 53

1. Air-cleaner cover
2. Air-cleaner-cover latch
3. Air-cleaner service indicator

2. Remove the cover from the air-cleaner body.
3. Before removing the filter, use low pressure air (40 psi, clean and dry) to help remove large accumulations of debris packed between outside of the filter and the canister.

**Important:** Avoid using high-pressure air which could force dirt through the filter into the intake tract.

**Note:** This cleaning process prevents debris from migrating into the intake when you remove the filter.

4. Remove and replace the filter (Figure 54).

**Note:** Do not clean the used element due to the possibility of damage to the filter media.

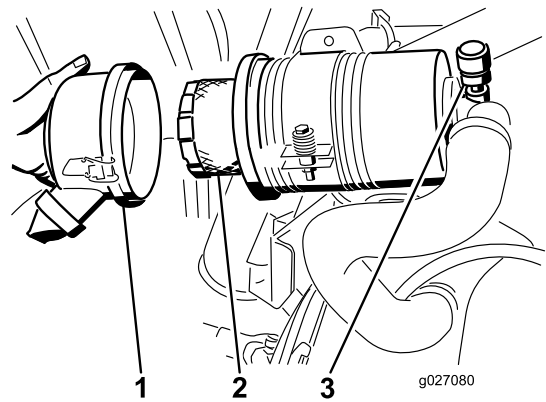


Figure 54

1. Air-cleaner cover
2. Air-cleaner filter
3. Air-cleaner indicator

5. Inspect the new filter for shipping damage, checking the sealing end of the filter and the body.

**Important:** Do not use a damaged element.

6. Insert the new filter by applying pressure to the outer rim of the element to seat it in the canister.

**Important:** Do not apply pressure to the flexible center of the filter.

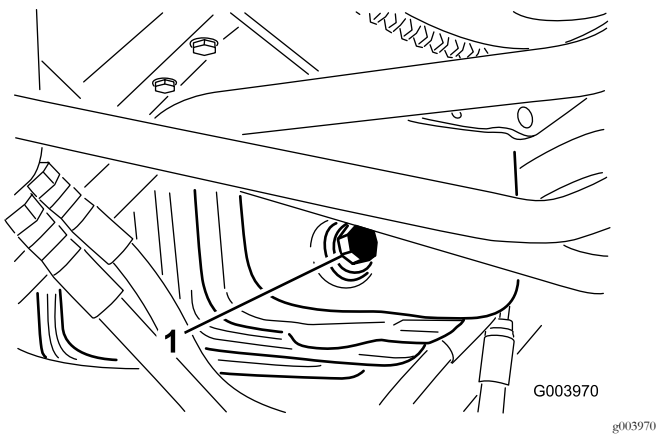
7. Clean the dirt-ejection port located in the removable cover. Remove the rubber outlet valve from the cover, clean the cavity, and replace the outlet valve.
8. Install the cover orienting the rubber outlet valve in a downward position—between approximately 5 o'clock to 7 o'clock when viewed from the end.
9. Secure the latches.

## Servicing the Engine Oil and Filter

**Service Interval:** After the first 50 hours—Change the engine oil and filter.

Every 150 hours

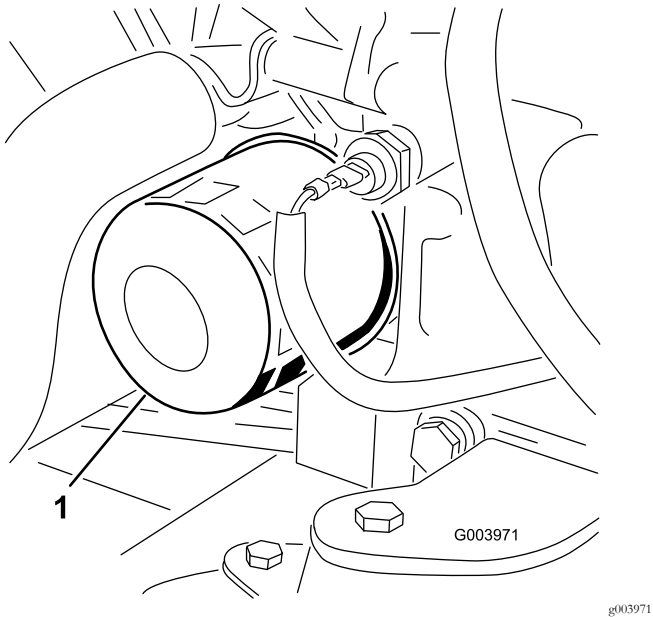
1. Remove the drain plug (Figure 55) and let the oil flow into a drain pan.



**Figure 55**

1. Oil-drain plug

2. When all the oil is drained, install the drain plug.
3. Remove the oil filter ([Figure 56](#)).



**Figure 56**

1. Oil filter

4. Apply a light coat of clean oil to the new filter seal.
5. Install the replacement oil filter to the filter adapter. Turn the oil filter clockwise until the rubber gasket contacts the filter adapter, then tighten the filter an additional 1/2 turn.

**Important:** Do not over-tighten the filter.

6. Add oil to the crankcase; refer to [Checking the Engine-Oil Level](#) (page 28).

# Fuel System Maintenance

## **⚠ DANGER**

Under certain conditions, diesel fuel and fuel vapors are highly flammable and explosive. A fire or explosion from fuel can burn you and others and can damage property.

- Use a funnel and fill the fuel tank outdoors, in an open area, when the engine is off and is cold. Wipe up any fuel that spills.
- Do not fill the fuel tank completely full. Add fuel to the fuel tank until the level is 6 to 13 mm (1/4 to 1/2 inch) below the bottom of the filler neck. This empty space in the tank allows the fuel to expand.
- Never smoke when handling fuel, and stay away from an open flame or where fuel fumes may be ignited by a spark.
- Store fuel in a clean, safety-approved container and keep the cap in place.

## Draining the Fuel Tank

**Service Interval:** Every 800 hours

Before storage

Drain and clean the fuel tank if the fuel system becomes contaminated or if the machine is to be stored for an extended period. Use clean fuel to flush out the tank.

## Checking the Fuel Lines and Connections

**Service Interval:** Every 400 hours (Or yearly, whichever comes first).

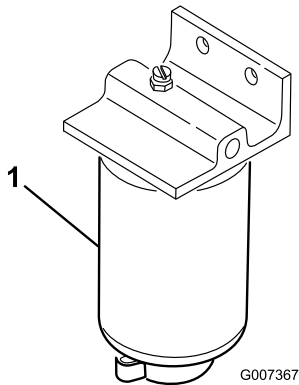
Inspect the fuel lines for deterioration, damage, or loose connections.

## Servicing the Water Separator

**Service Interval:** Before each use or daily—Drain water or other contaminants from the water separator.

Every 400 hours

1. Place a clean container under the fuel filter.
2. Loosen the drain plug on the bottom of the filter canister.



**Figure 57**

1. Water-separator-filter canister

- 
3. Clean the area where the filter canister mounts.
  4. Remove the filter canister and clean the mounting surface.
  5. Lubricate the gasket on the filter canister with clean oil.
  6. Install the filter canister by hand until the gasket contacts the mounting surface, then rotate it an additional 1/2 turn.
  7. Tighten the drain plug on the bottom of the filter canister.

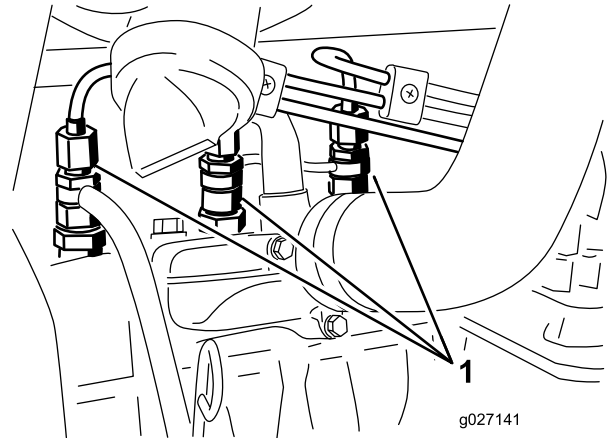
## Servicing the Fuel-Pickup Tube

The fuel-pickup tube, located inside the fuel tank, comes with a screen to help prevent debris from entering the fuel system. Remove the fuel-pickup tube and clean the screen as required.

## Bleeding Air from the Fuel Injectors

**Note:** Perform this procedure only if the fuel system has been purged of air through normal priming procedures and the engine does not start; refer to [Bleeding the Fuel System \(page 31\)](#).

1. Loosen the pipe connection to the No. 1 nozzle and holder assembly ([Figure 58](#)).



**Figure 58**

1. Fuel injectors

- 
2. Turn the key in the ignition switch to the ON position and watch the fuel flow around the connector. When you observe a solid flow of fuel, turn the key to the OFF position.
  3. Tighten the pipe connector securely.
  4. Repeat steps 1 through 3 on the remaining nozzles.

# Electrical System Maintenance

**Important:** Before welding on the machine, disconnect all cables from the battery, both wire harness plugs from the electronic control module, and the terminal connector from the alternator to prevent damage to the electrical system.

## Servicing the Battery

**Service Interval:** Every 50 hours—Clean the battery and check the condition of it. (Or weekly, whichever comes first).

Every 50 hours—Check the battery-cable connections.

### WARNING

#### CALIFORNIA Proposition 65 Warning

Battery posts, terminals, and related accessories contain lead and lead compounds, chemicals known to the State of California to cause cancer and reproductive harm. Wash hands after handling.

### ⚠ DANGER

Battery electrolyte contains sulfuric acid which is a deadly poison and causes severe burns.

- Do not drink electrolyte and avoid contact with skin, eyes, or clothing. Wear safety glasses to shield your eyes and rubber gloves to protect your hands.
- Fill the battery where clean water is always available for flushing the skin.

### ⚠ WARNING

Charging the battery produces gasses that can explode.

Never smoke near the battery and keep sparks and flames away from it.

Keep the terminals and the entire battery case clean because a dirty battery discharges slowly. To clean the battery, wash the entire case with a solution of baking soda and water. Rinse it with clear water.

**Note:** There is no need to check the electrolyte level of the batteries in the 48 V pack as they are maintenance free and sealed.

## Replacing the Fuses

There are 8 fuses in the 12 V electrical system. The fuse block (Figure 59) is located behind the control-arm-access panel.

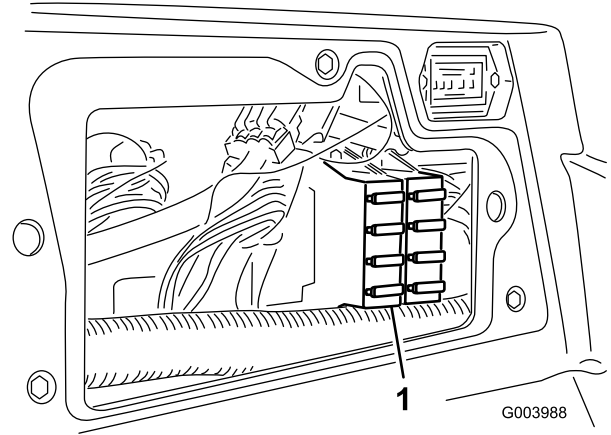


Figure 59

1. Fuse block

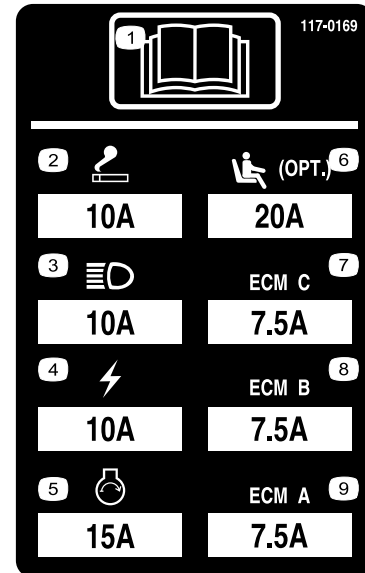
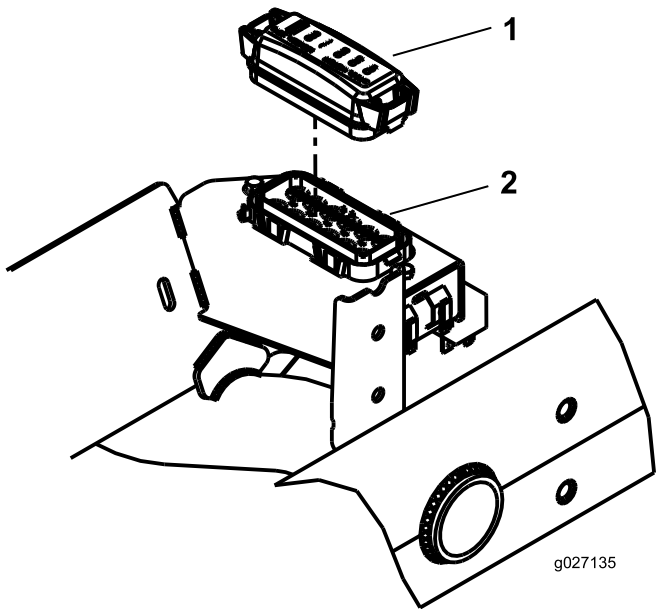


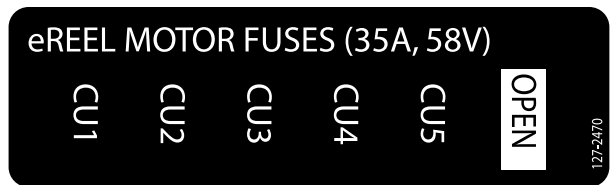
Figure 60

There are 6 fuses in the 48 V electrical system. 5 fuses are located in the fuse block (Figure 61) which is under the hood and behind the seat. The sixth fuse (Figure 62) is located under the black cover which is under the seat.

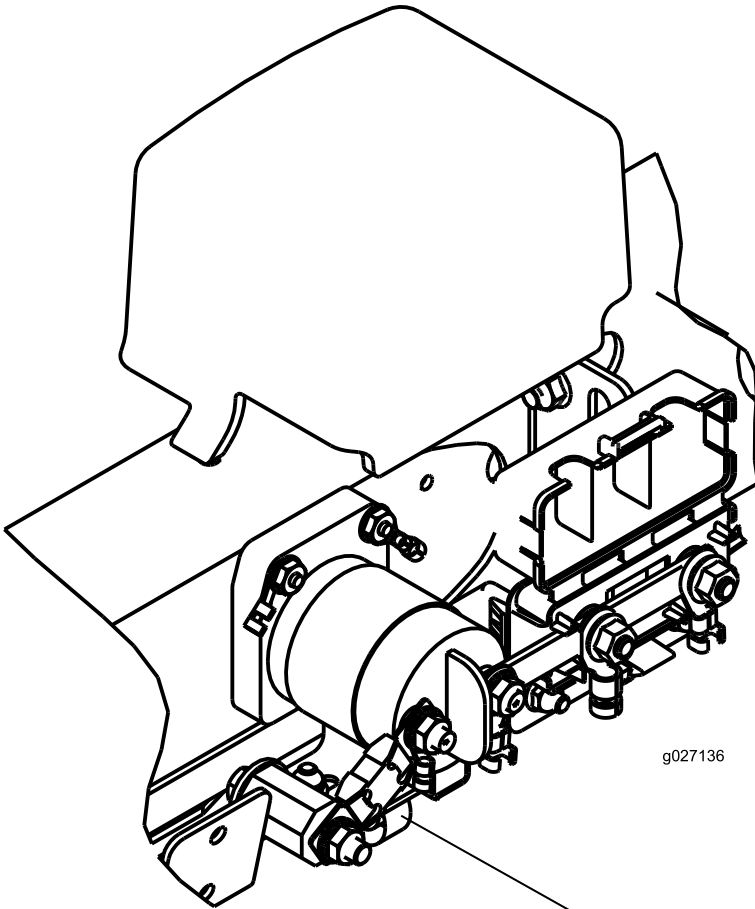


**Figure 61**

- 1. Fuse-block cover
- 2. Fuse block



**Figure 63**



**Figure 62**

- 1. Fuse

# Drive System Maintenance

## Adjusting the Traction Drive for Neutral

The machine must not creep when you release the traction pedal. If it does creep, adjust it as follows:

1. Park the machine on a level surface, stop the engine, and lower the cutting units to the ground.
2. Jack up the front of the machine until the front tires are off the ground. Support the machine with jack stands to prevent it from falling accidentally.

**Note:** On 4-wheel-drive models, the rear tires must also be off the ground.

3. On the right side of the hydrostat, loosen the locknut on the traction-adjustment cam (Figure 64).

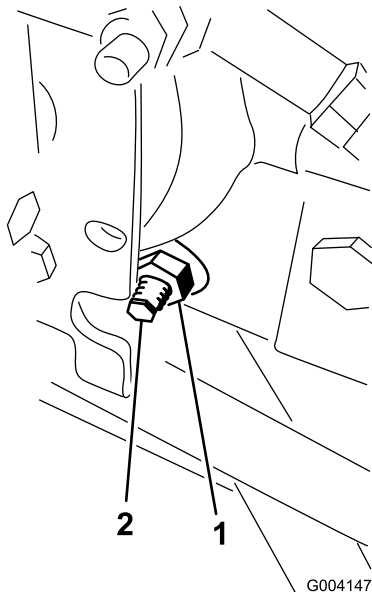


Figure 64

1. Locknut
2. Traction-adjustment cam

### **⚠ WARNING**

The engine must be running while you perform the final adjustment on the traction adjustment cam. This could cause personal injury.

Keep your hands, feet, face, and other body parts away from the muffler, other hot parts of the engine, and any rotating parts.

4. Start the engine and rotate the cam hex in either direction until the wheels stop rotating.

5. Tighten the locknut to secure the adjustment.
6. Stop the engine, remove the jack stands, and lower the machine to the ground.
7. Test drive the machine to make sure that it does not creep.

## Adjusting the Rear Wheel Toe-in

**Service Interval:** Every 800 hours—Check the rear wheel toe-in.

1. Rotate the steering wheel to position the rear wheels straight ahead.
2. Loosen the jam nut on each end of the tie rod (Figure 65).

**Note:** The end of the tie rod with the external groove is a left-hand thread.

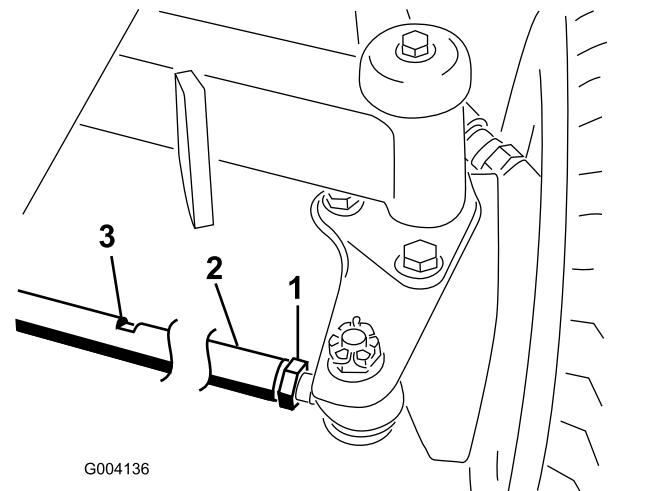


Figure 65

1. Jam nut
2. Tie rod
3. Wrench slot

3. Using the wrench slot, rotate the tie rod.
4. Measure the distance at the front and rear of the rear wheels at axle height.

**Note:** The distance at the front of the rear wheels should be less than 6 mm (1/4 inch) of the distance measured at the rear of the wheels.

5. Repeat this procedure as required.

# Cooling System Maintenance

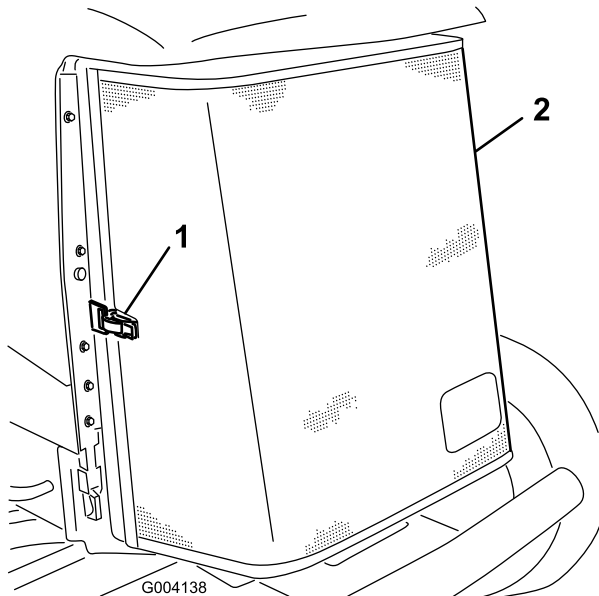
## Removing Debris from the Cooling System

**Service Interval:** Before each use or daily (More frequently in dirty operating conditions).

Every 100 hours—Inspect the cooling system hoses.

Every 2 years—Flush and replace the cooling system fluid.

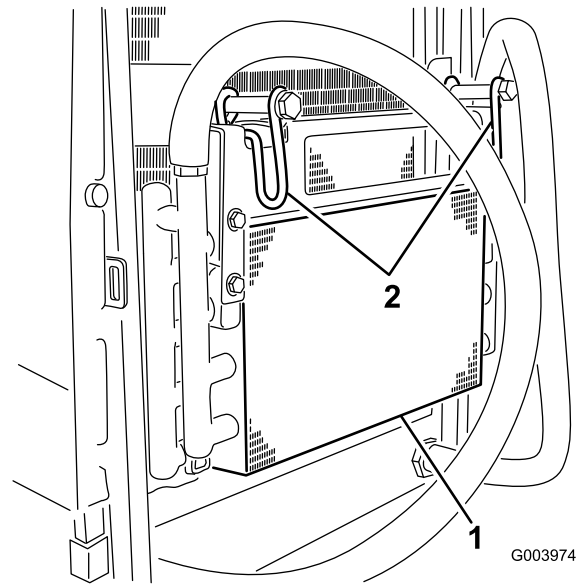
1. Shut off the engine and remove the key from the ignition switch.
2. Thoroughly clean all debris out of the engine area.
3. Unlatch the clamp and pivot open the rear screen (Figure 66).



**Figure 66**

1. Rear-screen latch
2. Rear screen

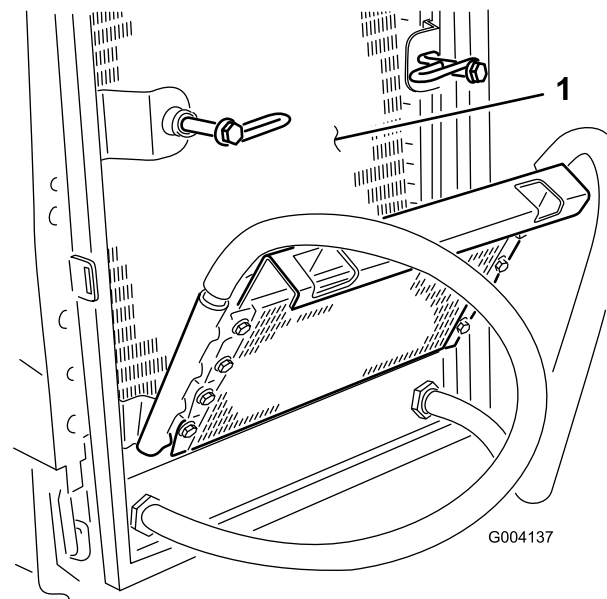
4. Clean the screen thoroughly with compressed air.
5. Pivot the latches inward to release the oil cooler (Figure 67).



**Figure 67**

1. Oil cooler
2. Oil-cooler latches

6. Thoroughly clean both sides of the oil cooler and the radiator (Figure 68) with compressed air.



**Figure 68**

1. Radiator

7. Pivot the oil cooler back into position and secure the latches.
8. Close the screen and secure the latch.



# Brake Maintenance

## Adjusting the Parking Brakes

Adjust the brakes when there is more than 25 cm (1 inch) of free travel (Figure 69) of the brake pedal, or when more holding force is required. Free travel is the distance that the brake pedal moves before you feel braking resistance.

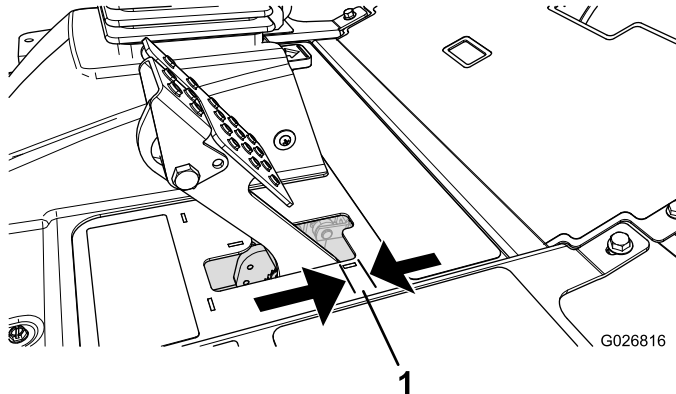


Figure 69

1. Free travel

**Note:** Use the wheel motor backlash to rock the drums back and forth to ensure that the drums are free prior to and after adjustment.

1. To reduce free travel of the brake pedals, tighten the brakes by loosening the front nut on the threaded end of the brake cable (Figure 70).

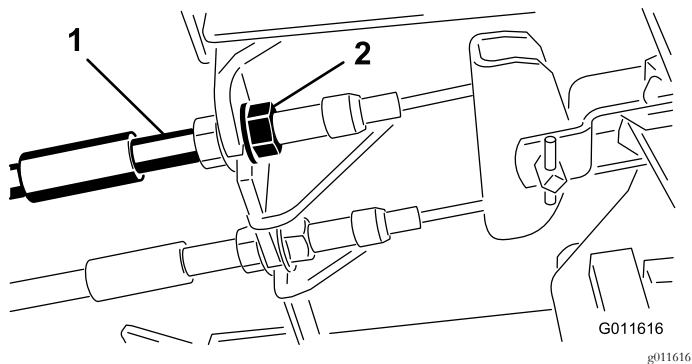


Figure 70

1. Brake cables
2. Front nuts

2. Tighten the rear nut to move the cable backward until brake pedals have 6.3 to 12.7 mm (1/4 to 1/2 inch) of free travel (Figure 69), before the wheel locks up.
3. Tighten the front nuts, ensuring that both cables actuate the brakes simultaneously.

**Note:** Ensure that the cable conduit does not rotate while you are tightening the nuts.

## Adjusting the Parking-Brake Latch

If the parking brake fails to engage and latch, an adjustment to the brake pawl is required.

1. Loosen the 2 screws securing the parking-brake pawl to the frame (Figure 71).

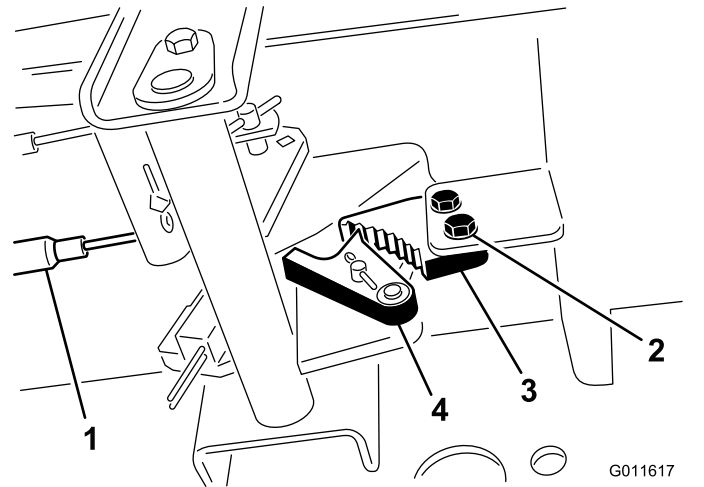


Figure 71

1. Brake cables
2. Screws (2)
3. Parking-brake pawl
4. Brake detent

2. Press the parking-brake pedal forward until the brake detent completely engages on the brake pawl (Figure 71).
3. Tighten the 2 screws to lock the adjustment.
4. Press the brake pedal to release the parking brake.
5. Check the adjustment and adjust as required.

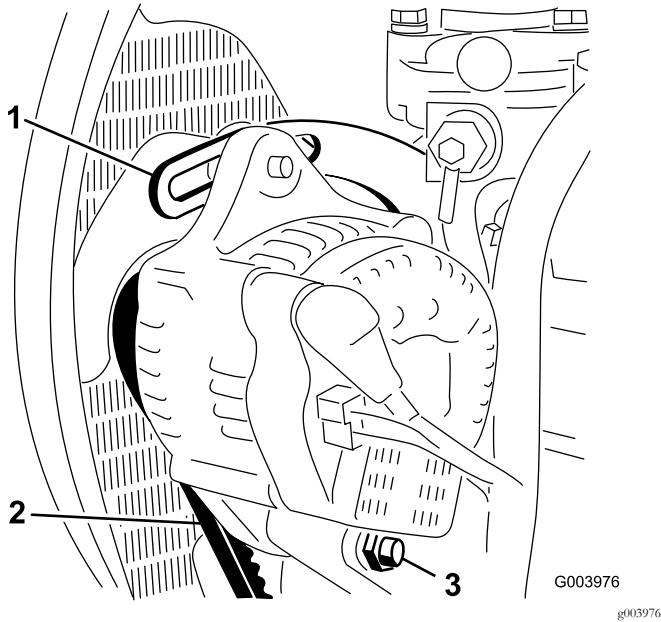
# Belt Maintenance

## Tensioning the Alternator Belt

**Service Interval:** After the first 8 hours

Every 100 hours

1. Open the hood.
2. Check the tension of the alternator belt by depressing it (Figure 72) midway between the alternator and the crankshaft pulleys with 10 kg (22 lb) of force.



**Figure 72**

1. Brace
2. Alternator belt
3. Pivot bolt

The belt should deflect 11 mm (7/16 inch). If the deflection is incorrect, proceed to step 3. If correct, continue operation.

3. Loosen the bolt securing the brace to the engine (Figure 72), the bolt securing the alternator to the brace and the pivot bolt.
4. Insert a pry bar between the alternator and the engine and pry out on the alternator.
5. When you achieve the proper tension, tighten the alternator, brace, and pivot bolts to secure the adjustment.

# Hydraulic System Maintenance

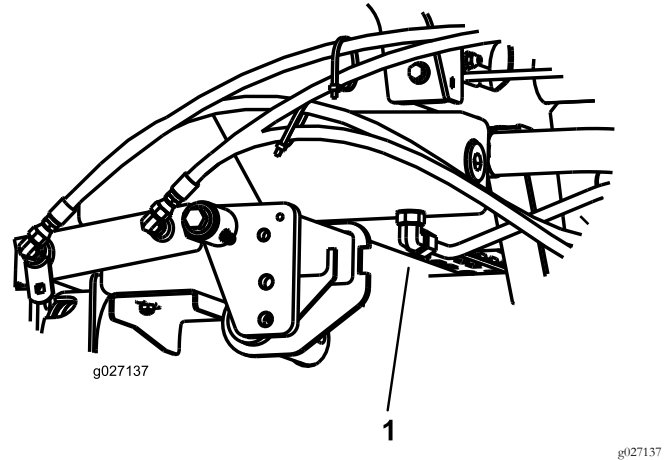
## Changing the Hydraulic Fluid

**Service Interval:** Every 800 hours

Every 2 years—Drain and flush the hydraulic tank.

If fluid becomes contaminated, contact your Toro Distributor because the system must be flushed. Contaminated fluid looks milky or black when compared to clean oil.

1. Stop the engine and raise the hood.
2. Place a large drain pan under the fitting secured to the bottom of the hydraulic-fluid reservoir (Figure 73).



**Figure 73**

1. Hose
  3. Disconnect the hose from the bottom of the fitting and let the hydraulic fluid flow into the drain pan.
  4. Install the hose when hydraulic fluid stops draining.
  5. Fill the reservoir with approximately 41.6 L (11 US gallons) of hydraulic fluid; refer to [Checking the Hydraulic Fluid](#) (page 30).
- 
6. Install the reservoir cap.
  7. Start the engine and use all of the hydraulic controls to distribute hydraulic fluid throughout the system. Also, check for leaks.
  8. Stop the engine.
  9. Check the level of the hydraulic fluid and add enough to raise level to the FULL mark on the dipstick.

**Important:** Use only hydraulic fluids specified. Other fluids could damage the system.

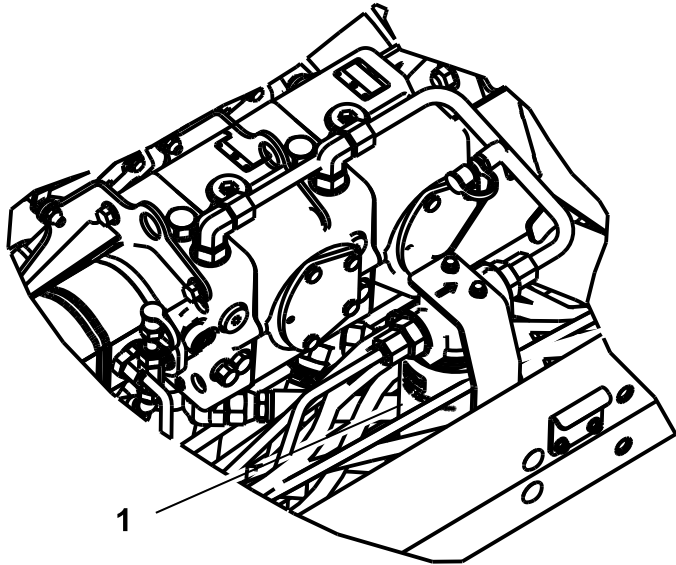
**Important:** Do not overfill.

# Replacing the Hydraulic Filter

**Service Interval:** Every 800 hours

**Important:** Use of any other filters may void the warranty on some components.

1. Position the machine on a level surface, lower the cutting units, stop the engine, engage the parking brake, and remove the key from the ignition switch.
2. Clean the area around the filter-mounting area and place a drain pan under the filter (Figure 74).



g027138

g027138

**Figure 74**

1. Hydraulic filter

- 
3. Remove the filter.
  4. Lubricate the gasket on the new filter with hydraulic oil.
  5. Ensure that the filter-mounting area is clean.
  6. Install the filter by hand until the gasket contacts the mounting surface, then rotate it an additional 1/2 turn.
  7. Start the engine and let it run for about 2 minutes to purge air from the system.
  8. Stop the engine and check for leaks.

# Checking the Hydraulic Lines and Hoses

**Service Interval:** Before each use or daily

Check the hydraulic lines and hoses for leaks, kinked lines, loose mounting supports, wear, loose fittings, weather deterioration, and chemical deterioration. Make all necessary repairs before operating the machine.

## **⚠ WARNING**

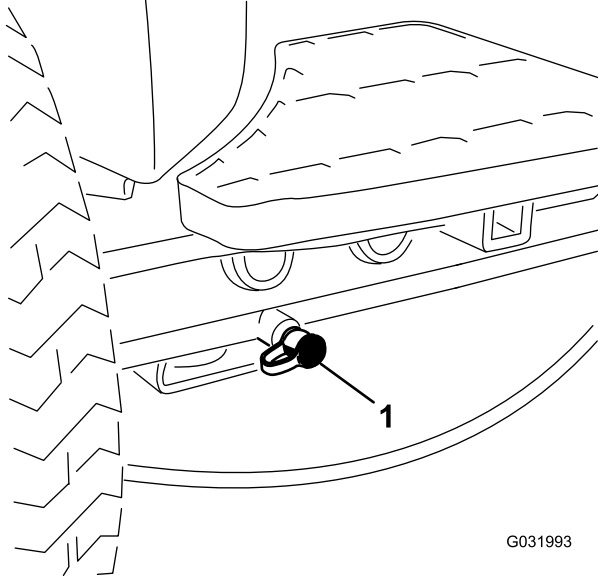
Hydraulic fluid escaping under pressure can penetrate skin and cause injury.

- Make sure that all hydraulic-fluid hoses and lines are in good condition and all hydraulic connections and fittings are tight before applying pressure to the hydraulic system.
- Keep your body and hands away from pin hole leaks or nozzles that eject high-pressure hydraulic fluid.
- Use cardboard or paper to find hydraulic leaks.
- Safely relieve all pressure in the hydraulic system before performing any work on the hydraulic system.
- Get immediate medical help if fluid is injected into the skin.

# Testing the Pressure in the Hydraulic System

Use the hydraulic system test ports to test the pressure in the hydraulic circuits. Contact your Toro Distributor for assistance.

Use the test ports on the front hydraulic tubes (Figure 75) to assist in troubleshooting the traction circuit.



G031993

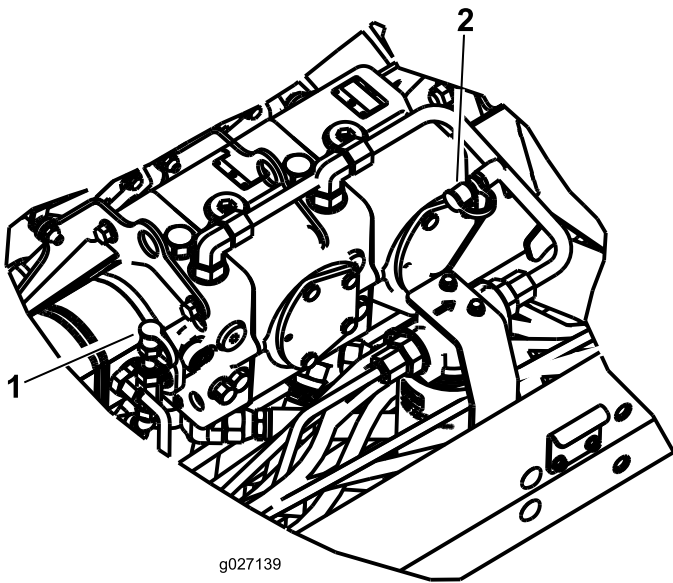
g031993

**Figure 75**

1. Traction-circuit test port

---

Use the test port on the gear pump (Figure 76) to assist in troubleshooting the lift circuit.



g027139

g027139

**Figure 76**

1. Lift-circuit test port
2. Charge-pressure circuit

# Cutting Unit System Maintenance

## Backlapping the Cutting Units

### **⚠ WARNING**

Contact with the reels or other moving parts can result in personal injury.

- Keep fingers, hands, and clothing away from the reels or other moving parts.
- Never attempt to turn the reels by hand or foot while the engine is running.

**Note:** When backlapping, the front units all operate together, and the rear units operate together.

1. Position the machine on a level surface, lower the cutting units, stop the engine, engage the parking brake, and move the Enable/Disable switch to DISABLE position.
2. To activate the backlap function on the InfoCenter service menu, proceed as follows:
  - A. With the engine off, but the key in the run position, access the Main Menu of the InfoCenter.
  - B. From the Main Menu, scroll down to Service Menu using the center button and select it using the right button.
  - C. In the Service Menu, scroll down to Front Backlap, Rear Backlap, and activate front, rear or both by using the right button to turn the desired set of cutting units from OFF to ON.
  - D. Press the left button to save the settings and exit the Settings menu.
3. Make initial reel-to-bedknife adjustments appropriate for backlapping on all cutting units which are to be backlapped; refer to the cutting unit *Operator's Manual*.
4. Start the engine and run at low idle speed.

### **⚠ DANGER**

Changing the engine speed while backlapping may cause the reels to stall.

- Never change the engine speed while backlapping.
  - Only backlap at idle engine speed.
5. With the Mow/Transport lever in the MOW position, move the Enable/Disable switch to the ENABLE position. Move the Lower Mow/Lift control forward to start the backlapping operation on the designated reels.

6. Apply lapping compound with a long-handled brush.  
**Important:** Never use a short-handled brush.
7. If the reels stall or become erratic while backlapping, select a higher reel speed setting until the speed stabilizes, then return the reel speed to your desired speed. This can be done using the buttons on the InfoCenter.
8. To make an adjustment to the cutting units while backlapping, turn the reels off by moving the Lower Mow/Raise lever rearward; the Enable/Disable switch to the DISABLE position, and stop the engine. After completing adjustments, repeat steps through .
9. Repeat the procedure for all cutting units you want to backlap.
10. When finished, turn off the backlap functions, using the buttons in the InfoCenter, and wash all lapping compound off the cutting units. Adjust cutting unit reel to bedknife as needed. Adjust the cutting unit reel speed to the desired mowing setting.

**Important:** If you do not return the backlap function to the OFF setting after backlapping, the cutting units do not raise or function properly.

**Note:** For a better cutting edge, run a file across the front face of the bedknife after lapping. This removes any burrs or rough edges that may have built up on the cutting edge.

# Storage

## Preparing the Traction Unit

1. Thoroughly clean the traction unit, cutting units, and engine.
2. Check the tire pressure. Inflate all traction unit tires to 83 to 103 kPa (12 to 15 psi).
3. Check all fasteners for looseness and tighten them as necessary.
4. Grease all grease fittings and pivot points. Wipe up any excess lubricant.
5. Lightly sand and use touch-up paint on painted areas that are scratched, chipped, or rusted. Repair any dents in the metal body.
6. Service the battery and cables as follows:
  - A. Remove the battery terminals (negative terminal first) from the battery posts.
  - B. Clean the battery, terminals, and posts with a wire brush and baking soda solution.
  - C. Coat the cable terminals and battery posts with Grafo 112X skin-over grease (Toro Part Number 505-47) or petroleum jelly to prevent corrosion.
  - D. Slowly recharge the battery every 60 days for 24 hours to prevent lead sulfation of the battery.

## Preparing the Engine

1. Drain the engine oil and replace the drain plug.
2. Remove and discard the oil filter. Install a new oil filter.
3. Refill the engine with designated quantity of motor oil.
4. Start the engine and run it at idle speed for approximately 2 minutes.
5. Stop the engine.
6. Thoroughly drain all fuel from the fuel tank, lines, and the fuel filter/water separator assembly.
7. Flush the fuel tank with fresh, clean diesel fuel.
8. Secure all fuel system fittings.
9. Thoroughly clean and service the air cleaner assembly.
10. Seal the air cleaner inlet and the exhaust outlet with weatherproof tape.
11. Check the antifreeze protection and add as needed for expected minimum temperature in your area.

## International Distributor List

<b>Distributor:</b>	<b>Country:</b>	<b>Phone Number:</b>	<b>Distributor:</b>	<b>Country:</b>	<b>Phone Number:</b>
Agrolanc Kft	Hungary	36 27 539 640	Maquiver S.A.	Colombia	57 1 236 4079
Asian American Industrial (AAI)	Hong Kong	852 2497 7804	Maruyama Mfg. Co. Inc.	Japan	81 3 3252 2285
B-Ray Corporation	Korea	82 32 551 2076	Mountfield a.s.	Czech Republic	420 255 704 220
Brisa Goods LLC	Mexico	1 210 495 2417	Mountfield a.s.	Slovakia	420 255 704 220
Casco Sales Company	Puerto Rico	787 788 8383	Munditol S.A.	Argentina	54 11 4 821 9999
Ceres S.A.	Costa Rica	506 239 1138	Norma Garden	Russia	7 495 411 61 20
CSSC Turf Equipment (pvt) Ltd.	Sri Lanka	94 11 2746100	Oslinger Turf Equipment SA	Ecuador	593 4 239 6970
Cyril Johnston & Co.	Northern Ireland	44 2890 813 121	Oy Hako Ground and Garden Ab	Finland	358 987 00733
Cyril Johnston & Co.	Republic of Ireland	44 2890 813 121	Parkland Products Ltd.	New Zealand	64 3 34 93760
Fat Dragon	China	886 10 80841322	Perfetto	Poland	48 61 8 208 416
Femco S.A.	Guatemala	502 442 3277	Pratoverde SRL.	Italy	39 049 9128 128
FIVEMANS New-Tech Co., Ltd	China	86-10-6381 6136	Prochaska & Cie	Austria	43 1 278 5100
ForGarder OU	Estonia	372 384 6060	RT Cohen 2004 Ltd.	Israel	972 986 17979
G.Y.K. Company Ltd.	Japan	81 726 325 861	Riversa	Spain	34 9 52 83 7500
Geomechaniki of Athens	Greece	30 10 935 0054	Lely Turfcare	Denmark	45 66 109 200
Golf international Turizm	Turkey	90 216 336 5993	Lely (U.K.) Limited	United Kingdom	44 1480 226 800
Hako Ground and Garden	Sweden	46 35 10 0000	Solvart S.A.S.	France	33 1 30 81 77 00
Hako Ground and Garden	Norway	47 22 90 7760	Spypros Stavrinides Limited	Cyprus	357 22 434131
Hayter Limited (U.K.)	United Kingdom	44 1279 723 444	Surge Systems India Limited	India	91 1 292299901
Hydroturf Int. Co Dubai	United Arab Emirates	97 14 347 9479	T-Markt Logistics Ltd.	Hungary	36 26 525 500
Hydroturf Egypt LLC	Egypt	202 519 4308	Toro Australia	Australia	61 3 9580 7355
Irrimac	Portugal	351 21 238 8260	Toro Europe NV	Belgium	32 14 562 960
Irrigation Products Int'l Pvt Ltd.	India	0091 44 2449 4387	Valtech	Morocco	212 5 3766 3636
Jean Heybroek b.v.	Netherlands	31 30 639 4611	Victus Emak	Poland	48 61 823 8369

### European Privacy Notice

#### The Information Toro Collects

Toro Warranty Company (Toro) respects your privacy. In order to process your warranty claim and contact you in the event of a product recall, we ask you to share certain personal information with us, either directly or through your local Toro company or dealer.

The Toro warranty system is hosted on servers located within the United States where privacy law may not provide the same protection as applies in your country.

BY SHARING YOUR PERSONAL INFORMATION WITH US, YOU ARE CONSENTING TO THE PROCESSING OF YOUR PERSONAL INFORMATION AS DESCRIBED IN THIS PRIVACY NOTICE.

#### The Way Toro Uses Information

Toro may use your personal information to process warranty claims, to contact you in the event of a product recall and for any other purpose which we tell you about. Toro may share your information with Toro's affiliates, dealers or other business partners in connection with any of these activities. We will not sell your personal information to any other company. We reserve the right to disclose personal information in order to comply with applicable laws and with requests by the appropriate authorities, to operate our systems properly or for our own protection or that of other users.

#### Retention of your Personal Information

We will keep your personal information as long as we need it for the purposes for which it was originally collected or for other legitimate purposes (such as regulatory compliance), or as required by applicable law.

#### Toro's Commitment to Security of Your Personal Information

We take reasonable precautions in order to protect the security of your personal information. We also take steps to maintain the accuracy and current status of personal information.

#### Access and Correction of your Personal Information

If you would like to review or correct your personal information, please contact us by email at [legal@toro.com](mailto:legal@toro.com).

### Australian Consumer Law

Australian customers will find details relating to the Australian Consumer Law either inside the box or at your local Toro Dealer.



# The Toro Warranty

## A Two-Year Limited Warranty

### Conditions and Products Covered

The Toro Company and its affiliate, Toro Warranty Company, pursuant to an agreement between them, jointly warrant your Toro Commercial product ("Product") to be free from defects in materials or workmanship for two years or 1500 operational hours\*, whichever occurs first. This warranty is applicable to all products with the exception of Aerators (refer to separate warranty statements for these products). Where a warrantable condition exists, we will repair the Product at no cost to you including diagnostics, labor, parts, and transportation. This warranty begins on the date the Product is delivered to the original retail purchaser.

\* Product equipped with an hour meter.

### Instructions for Obtaining Warranty Service

You are responsible for notifying the Commercial Products Distributor or Authorized Commercial Products Dealer from whom you purchased the Product as soon as you believe a warrantable condition exists. If you need help locating a Commercial Products Distributor or Authorized Dealer, or if you have questions regarding your warranty rights or responsibilities, you may contact us at:

Toro Commercial Products Service Department  
Toro Warranty Company  
8111 Lyndale Avenue South  
Bloomington, MN 55420-1196  
952-888-8801 or 800-952-2740  
E-mail: commercial.warranty@toro.com

### Owner Responsibilities

As the Product owner, you are responsible for required maintenance and adjustments stated in your *Operator's Manual*. Failure to perform required maintenance and adjustments can be grounds for disallowing a warranty claim.

### Items and Conditions Not Covered

Not all product failures or malfunctions that occur during the warranty period are defects in materials or workmanship. This warranty does not cover the following:

- Product failures which result from the use of non-Toro replacement parts, or from installation and use of add-on, or modified non-Toro branded accessories and products. A separate warranty may be provided by the manufacturer of these items.
- Product failures which result from failure to perform recommended maintenance and/or adjustments. Failure to properly maintain your Toro product per the Recommended Maintenance listed in the *Operator's Manual* can result in claims for warranty being denied.
- Product failures which result from operating the Product in an abusive, negligent, or reckless manner.
- Parts subject to consumption through use unless found to be defective. Examples of parts which are consumed, or used up, during normal Product operation include, but are not limited to, brake pads and linings, clutch linings, blades, reels, rollers and bearings (sealed or greasable), bed knives, spark plugs, castor wheels and bearings, tires, filters, belts, and certain sprayer components such as diaphragms, nozzles, and check valves, etc.
- Failures caused by outside influence. Conditions considered to be outside influence include, but are not limited to, weather, storage practices, contamination, use of unapproved fuels, coolants, lubricants, additives, fertilizers, water, or chemicals, etc.
- Failure or performance issues due to the use of fuels (e.g. gasoline, diesel, or biodiesel) that do not conform to their respective industry standards.

### Countries Other than the United States or Canada

Customers who have purchased Toro products exported from the United States or Canada should contact their Toro Distributor (Dealer) to obtain guarantee policies for your country, province, or state. If for any reason you are dissatisfied with your Distributor's service or have difficulty obtaining guarantee information, contact the Toro importer.

- Normal noise, vibration, wear and tear, and deterioration.
- Normal "wear and tear" includes, but is not limited to, damage to seats due to wear or abrasion, worn painted surfaces, scratched decals or windows, etc.

### Parts

Parts scheduled for replacement as required maintenance are warranted for the period of time up to the scheduled replacement time for that part. Parts replaced under this warranty are covered for the duration of the original product warranty and become the property of Toro. Toro will make the final decision whether to repair any existing part or assembly or replace it. Toro may use remanufactured parts for warranty repairs.

### Deep Cycle and Lithium-Ion Battery Warranty:

Deep cycle and Lithium-Ion batteries have a specified total number of kilowatt-hours they can deliver during their lifetime. Operating, recharging, and maintenance techniques can extend or reduce total battery life. As the batteries in this product are consumed, the amount of useful work between charging intervals will slowly decrease until the battery is completely worn out. Replacement of worn out batteries, due to normal consumption, is the responsibility of the product owner. Battery replacement may be required during the normal product warranty period at owner's expense. Note: (Lithium-Ion battery only): A Lithium-Ion battery has a part only prorated warranty beginning year 3 through year 5 based on the time in service and kilowatt hours used. Refer to the *Operator's Manual* for additional information.

### Maintenance is at Owner's Expense

Engine tune-up, lubrication, cleaning and polishing, replacement of filters, coolant, and completing recommended maintenance are some of the normal services Toro products require that are at the owner's expense.

### General Conditions

Repair by an Authorized Toro Distributor or Dealer is your sole remedy under this warranty.

**Neither The Toro Company nor Toro Warranty Company is liable for indirect, incidental or consequential damages in connection with the use of the Toro Products covered by this warranty, including any cost or expense of providing substitute equipment or service during reasonable periods of malfunction or non-use pending completion of repairs under this warranty. Except for the Emissions warranty referenced below, if applicable, there is no other express warranty. All implied warranties of merchantability and fitness for use are limited to the duration of this express warranty.**

Some states do not allow exclusions of incidental or consequential damages, or limitations on how long an implied warranty lasts, so the above exclusions and limitations may not apply to you. This warranty gives you specific legal rights, and you may also have other rights which vary from state to state.

### Note regarding engine warranty:

The Emissions Control System on your Product may be covered by a separate warranty meeting requirements established by the U.S. Environmental Protection Agency (EPA) and/or the California Air Resources Board (CARB). The hour limitations set forth above do not apply to the Emissions Control System Warranty. Refer to the Engine Emission Control Warranty Statement supplied with your product or contained in the engine manufacturer's documentation for details.