



Count on it.

Parts Catalog

**48cm Super Bagger
Lawn Mower**

Model No. 20838—Serial No. 40000000 and Up



Ordering Replacement Parts

To order replacement parts, please supply the part number, the quantity, and the description of each part desired.

Understanding Reference Numbers

Each identified part in an illustration has a reference number. The reference number for a part also appears in the parts list, along with other information about the part.

This catalog uses two special reference number formats, one to indicate parts in a service assembly and another to indicate the quantity of a given part in an illustration.

Service Assembly Reference Numbers

Parts in service assemblies have reference numbers in the form a:b. The a represents the reference number of the entire service assembly and the b represents a sequential number unique to each part within the service assembly.

For example, a wheel assembly might be identified by reference number 6, the tire by 6:1, the valve by 6:2, and the wheel by 6:3. When you order the assembly identified by reference number 6, you receive all parts identified by reference numbers 6:1, 6:2, and 6:3. However, you may also order any part individually. Reference numbers of this type appear in illustration and in parts lists.

Reference Numbers Indicating Quantity

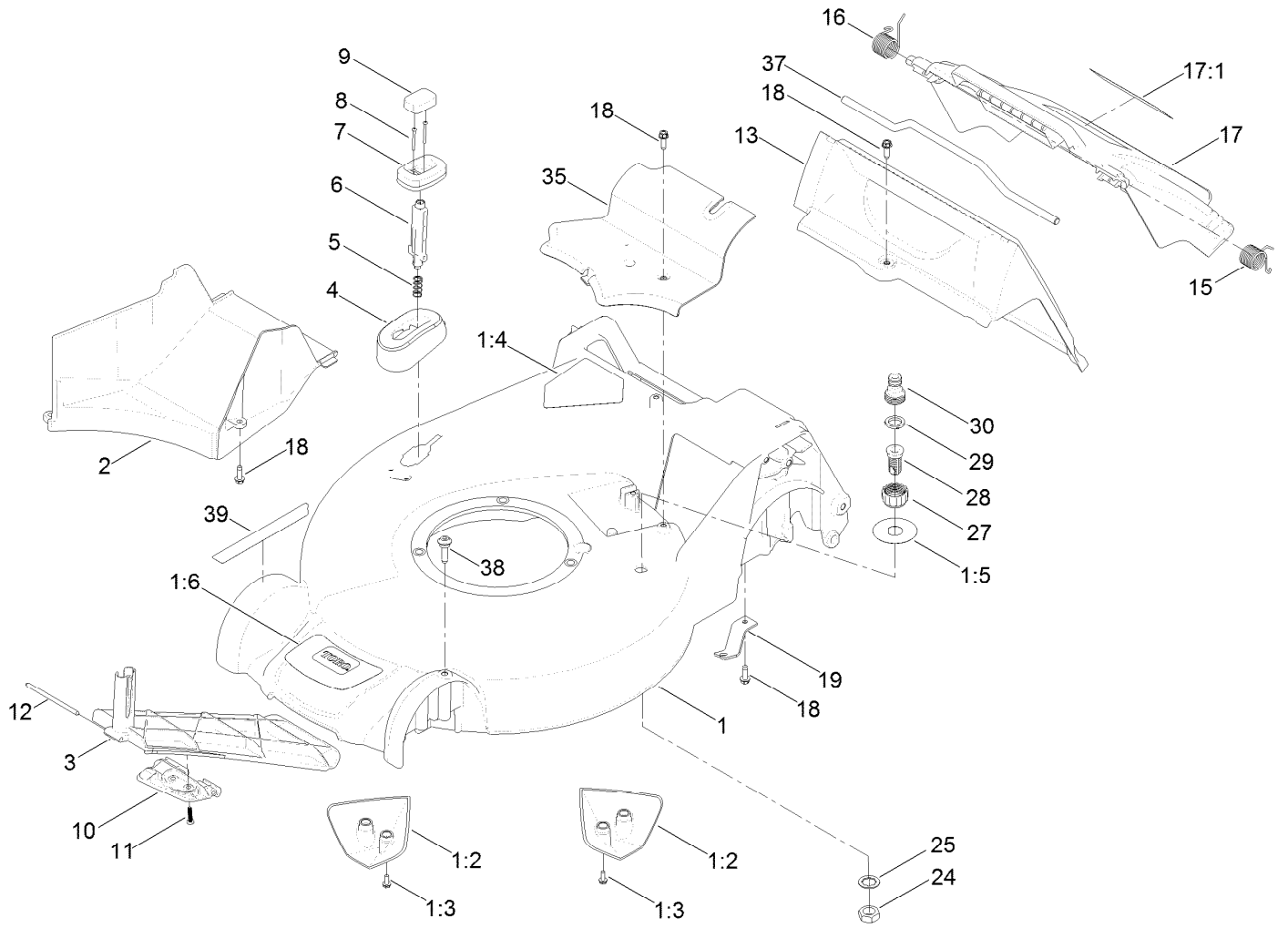
In an illustration, if a reference number indicates more than one part, the reference number has the form nX y. The n represents the quantity of the part, the X is the multiplication symbol, and the y represents the reference number.

For example, in an illustration, the reference number 2X 37 means that two of the parts identified by reference number 37 are indicated.

Contents

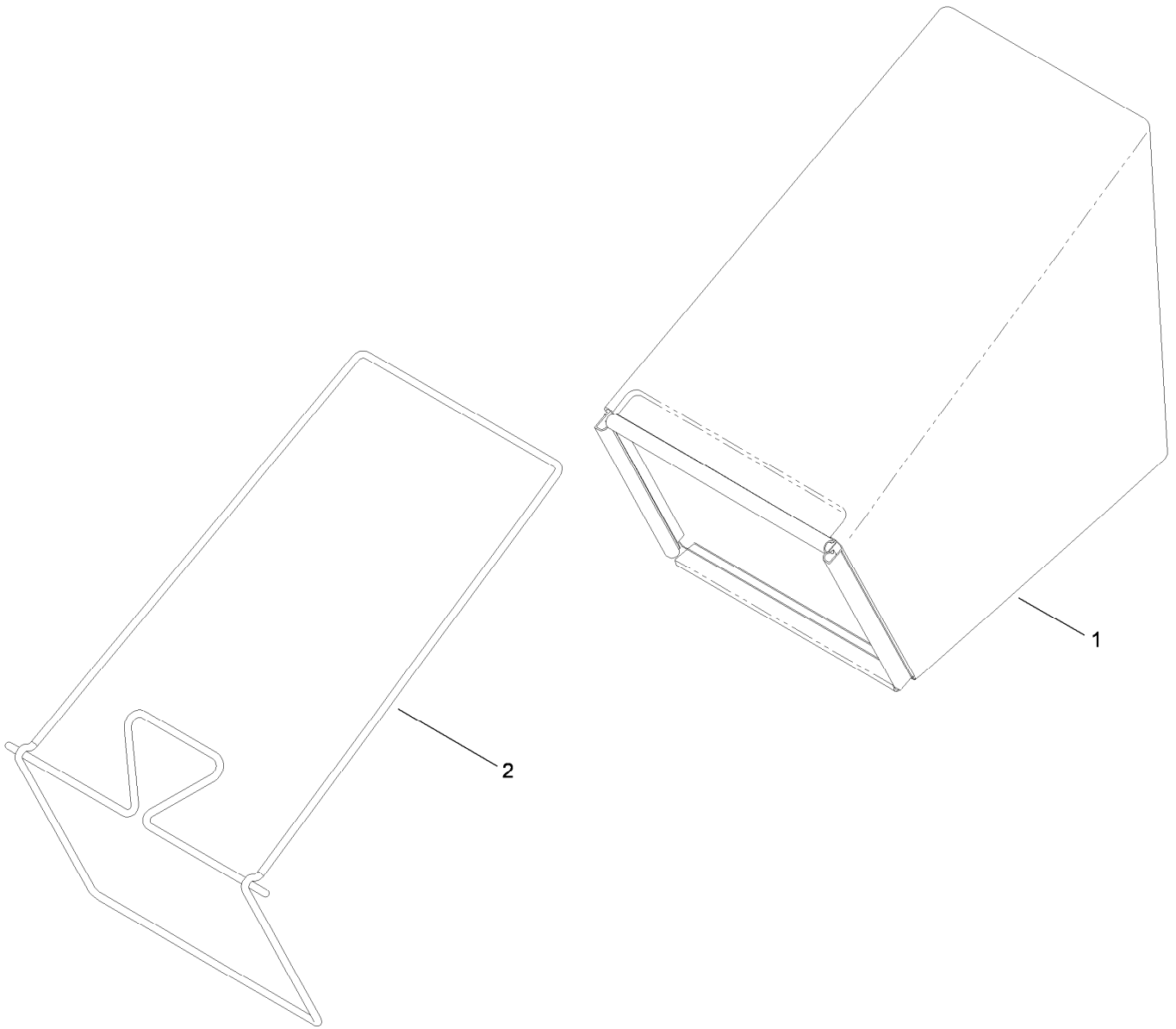
Housing Assembly	4
Bag and Frame Assembly	6
Traction, Height-of-Cut and Suspension Assembly	7
Blade and Engine Assembly	8
Shroud, Flywheel and Fuel Tank Assembly	10
Dipstick, Brake and Governor Arm Assembly	12
Carburetor, Muffler, Air Cleaner and Valve Cover Assembly	14
Transmission Assembly	16
Handle Assembly	18
Electrical Assembly	20
Attachments and Accessories	22

Housing Assembly



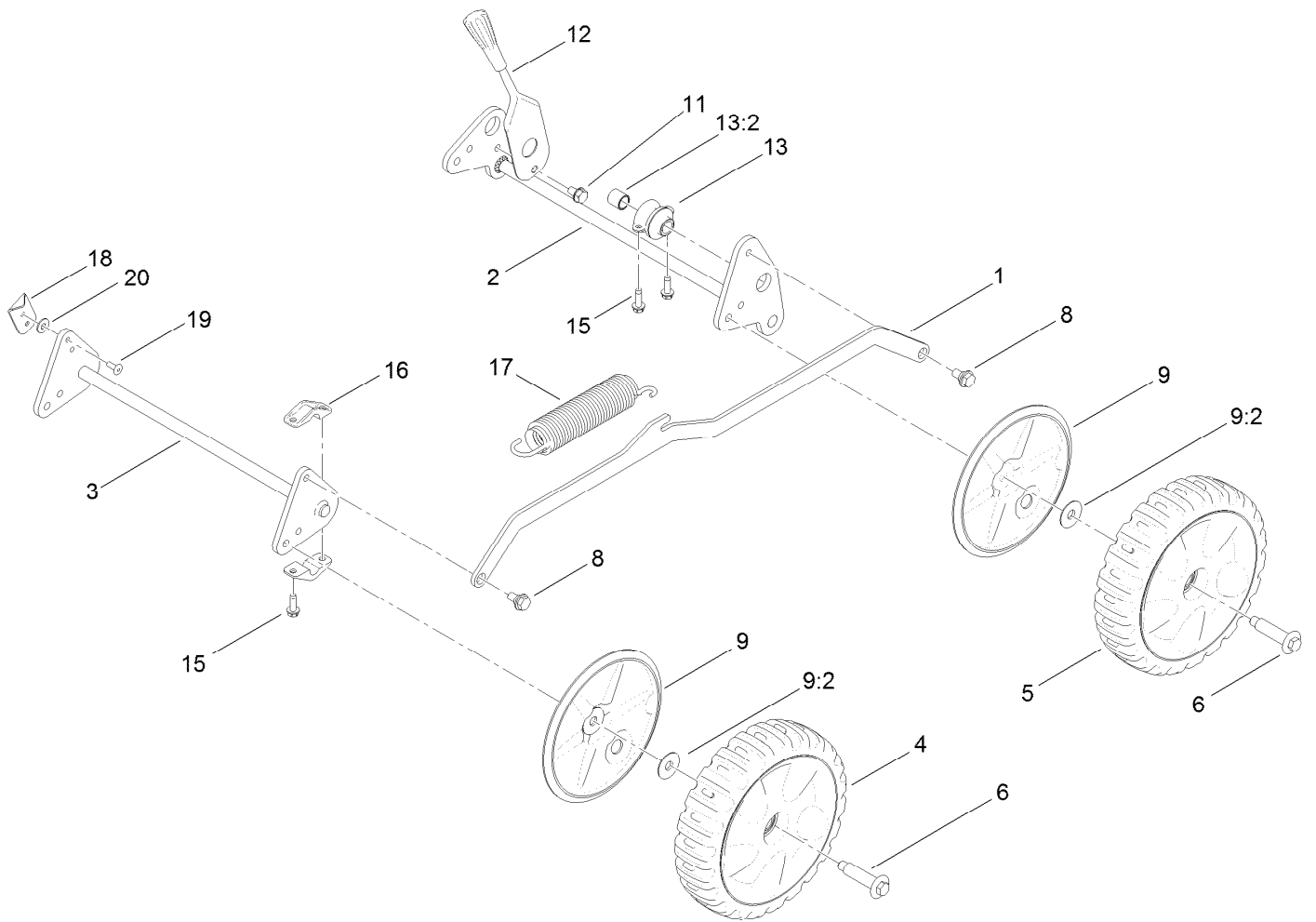
Housing Assembly (continued)

<i>Ref.</i>	<i>Part Number</i>	<i>Qty.</i>	<i>Description</i>	<i>Ref.</i>	<i>Part Number</i>	<i>Qty.</i>	<i>Description</i>
1	117-4093	1	Housing ASM	15	115-2859	1	Spring-Torsion
1:2	99-6485	2	Kicker-Front	16	114-7924	1	Spring-Torsion
1:3	32144-1	4	Screw-Taptite	17	117-4085	1	Rear Door ASM
1:4	112-8760	1	Decal-Danger	17:1	131-4514	1	Decal-Warning
1:5	112-8867	1	Decal-Port, Washout	18	49-2040	5	Screw-HWHTF
1:6	120-3908	1	Decal-Deck, Super Recycler	19	117-9385	1	Bracket-Cable, Traction
2	117-4063	1	Ramp-Discharge	24	3218-6	1	Nut-Jam
3	117-4064	1	Door-Recycle	25	3254-5	1	Washer-Tooth, Internal
4	117-4065	1	Cover-Door, Recycle	27	112-6401	1	Coupling-Hose, Washout Port
5	117-1031	1	Spring-Compression	28	112-6400	1	Port-Washout
6	110-7129	1	Latch-Recycle	29	112-6438	1	Washer-Seal, Washout Port
7	110-7136	1	Housing-Knob	30	112-6437	1	Adapter-Connect, Quick
8	110-7143	2	Screw-Torx, Pan Head	35	117-4062	1	Cover-Belt
9	119-2254	1	Knob-Recycle	37	117-9378	1	Rod-Deflector
10	119-2262	1	Hinge-Door, Recycle	38	119-2267	1	Screw-Shoulder, BHTF
11	108-7476	2	Screw-Plastite	39	119-2283	1	Decal-HOC
12	119-2263	1	Pin-Hinge				
13	114-2668	1	Chute				



Bag and Frame Assembly

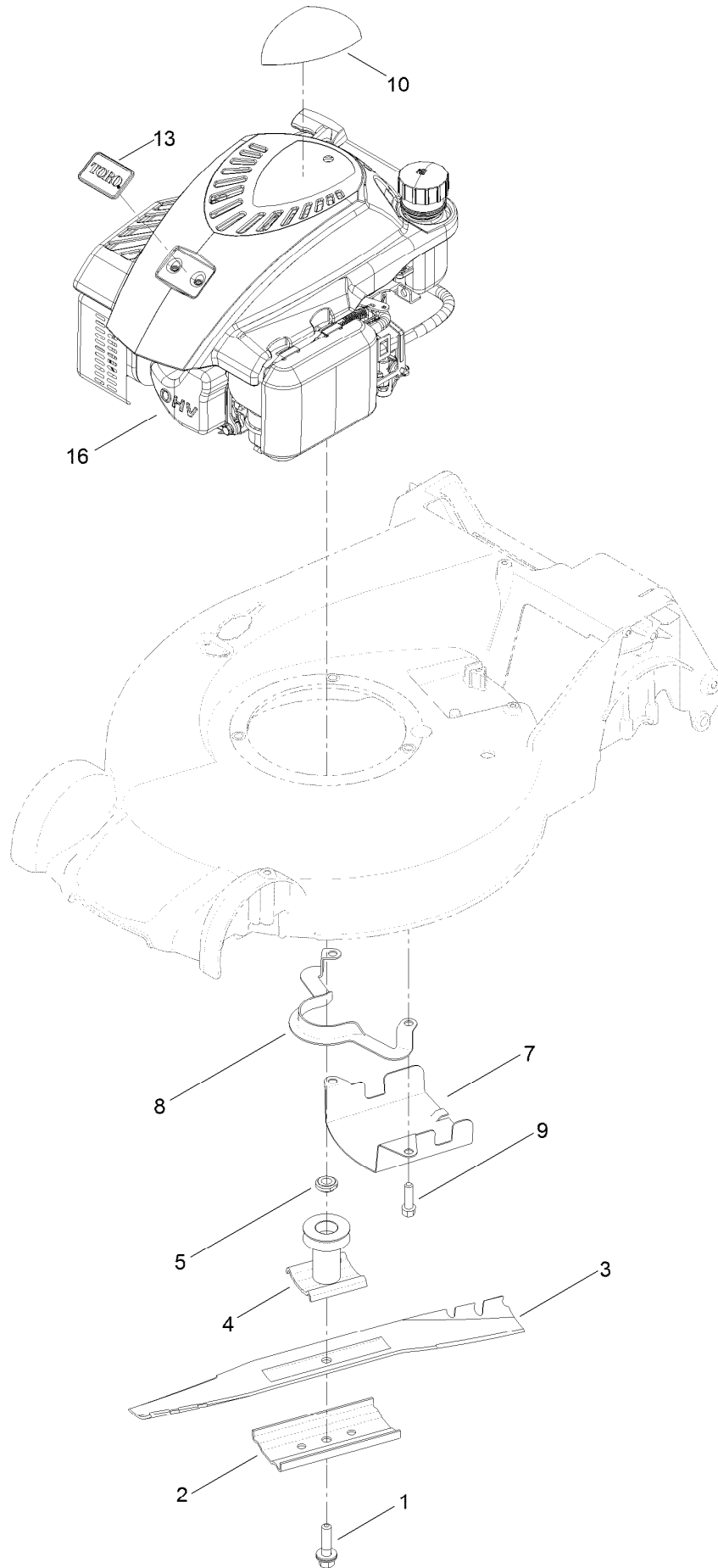
<i>Ref.</i>	<i>Part Number</i>	<i>Qty.</i>	<i>Description</i>
1	117-9365	1	Grass Bag ASM
2	117-9363-03	1	Frame-Bag



Traction, Height-of-Cut and Suspension Assembly

<i>Ref.</i>	<i>Part Number</i>	<i>Qty.</i>	<i>Description</i>	<i>Ref.</i>	<i>Part Number</i>	<i>Qty.</i>	<i>Description</i>
1	117-4066-01	1	Bar-Cross, HOC	11	32104-82	1	Screw-HHF
2	120-0196-03	1	Bar-Pivot, Rear	12	117-4084	1	Handle-Lift Assist
3	120-3902-03	1	Bar-Pivot, Front	13	119-2278	2	Bushing ASM
4	117-4082	2	8 Inch Wheel ASM	13:2	27-6250	1	Bushing
5	117-4083	2	8 Inch Wheel And Gear ASM	15	49-2040	8	Screw-HWHTF
6	614650	4	Bolt-Shoulder	16	100-1500	4	Mount-Axle, Front
8	27-0411	2	Screw-Shoulder	17	119-2265	1	Spring-Extension
9	117-4088	4	Wheel Cover ASM	18	119-2286	1	Indicator-HOC
9:2	614426	1	Washer-Stepped	19	114439	2	Rivet-Pop
				20	3256-1	2	Washer-Flat

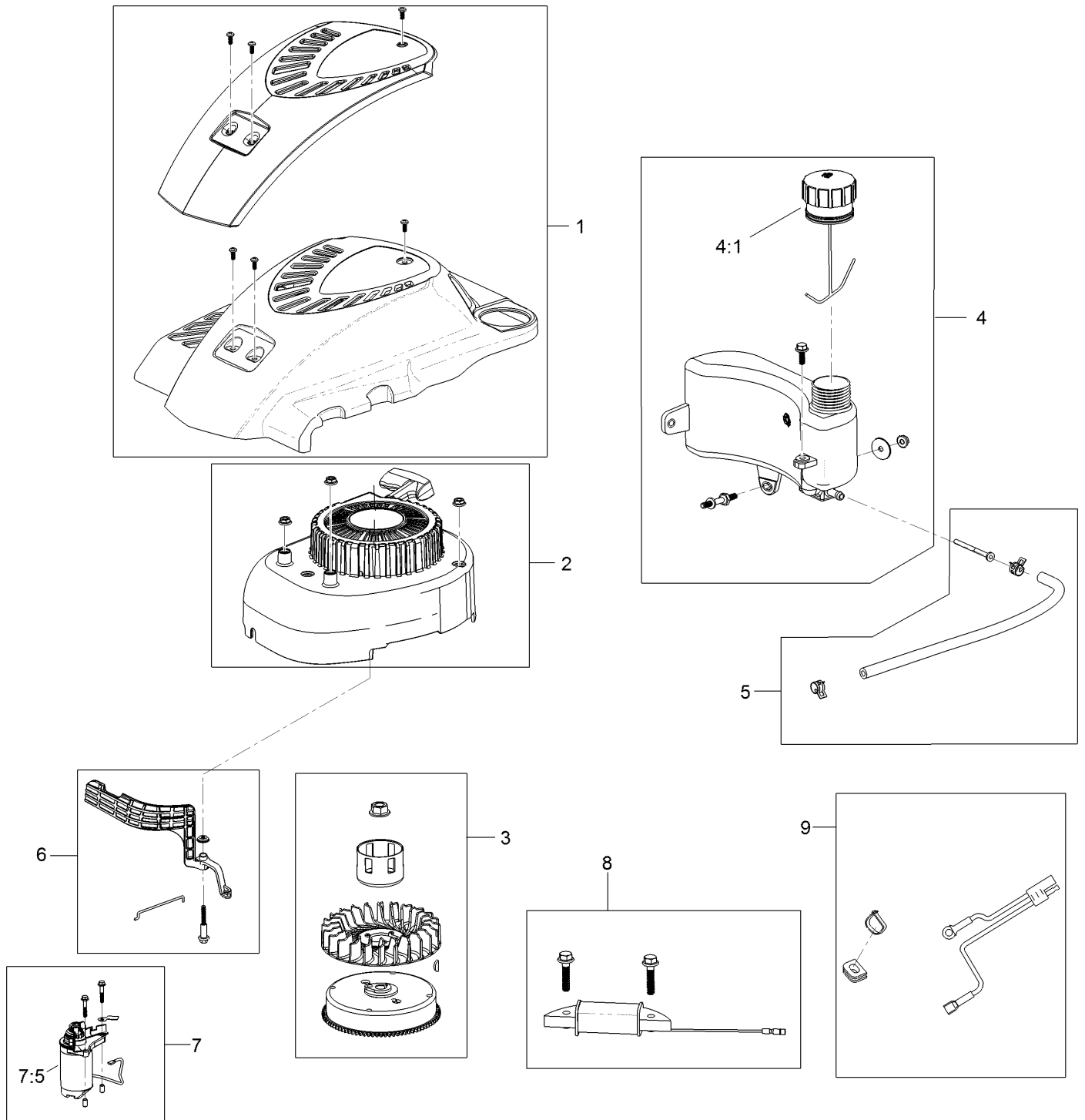
Blade and Engine Assembly



Blade and Engine Assembly (continued)

<i>Ref.</i>	<i>Part Number</i>	<i>Qty.</i>	<i>Description</i>	<i>Ref.</i>	<i>Part Number</i>	<i>Qty.</i>	<i>Description</i>
1	125-2466	1	Bolt-Blade	8	108-8110-03	1	Guide-Belt
2	108-3766-03	1	Support-Blade	9	92-1648	3	Screw-Mount, Engine
3	110-7080	1	Blade	10	120-1938	1	Decal-Shroud
4	106-3987	1	Driver-Blade	13	120-0183	1	Plate-Logo
5	106-3999	1	Spacer-Driver	16	120-4413	1	Engine-1P65Fc
7	107-7489-03	1	Shield-Grass				

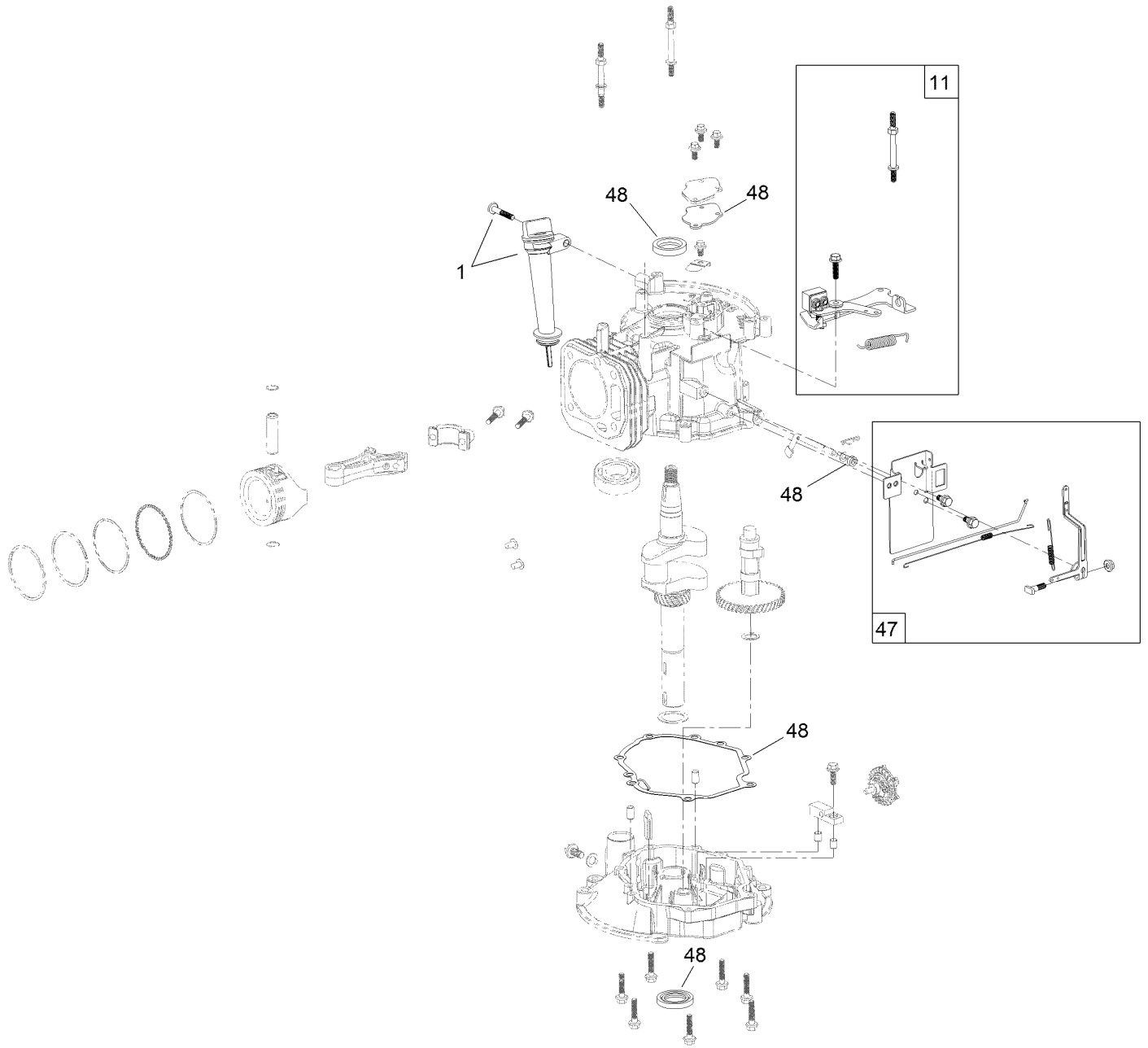
Shroud, Flywheel and Fuel Tank Assembly



Shroud, Flywheel and Fuel Tank Assembly (continued)

<i>Ref.</i>	<i>Part Number</i>	<i>Qty.</i>	<i>Description</i>	<i>Ref.</i>	<i>Part Number</i>	<i>Qty.</i>	<i>Description</i>
1	119-1990	1	Shroud ASM	5	121-4167	1	Fuel Line Kit
2	121-4160	1	Recoil And Blower Shroud Kit	6	121-4168	1	Air Vane Kit
3	121-0391	1	Flywheel And Fan Kit	7	121-0393	1	Starter Kit
4	121-4162	1	Fuel Tank Kit	7:5	133-1577	1	Motor-Starter
4:1	121-4163	1	Cap-Fuel	8	121-0392	1	Alternator Kit
				9	121-0395	1	Wire Harness Kit

Dipstick, Brake and Governor Arm Assembly

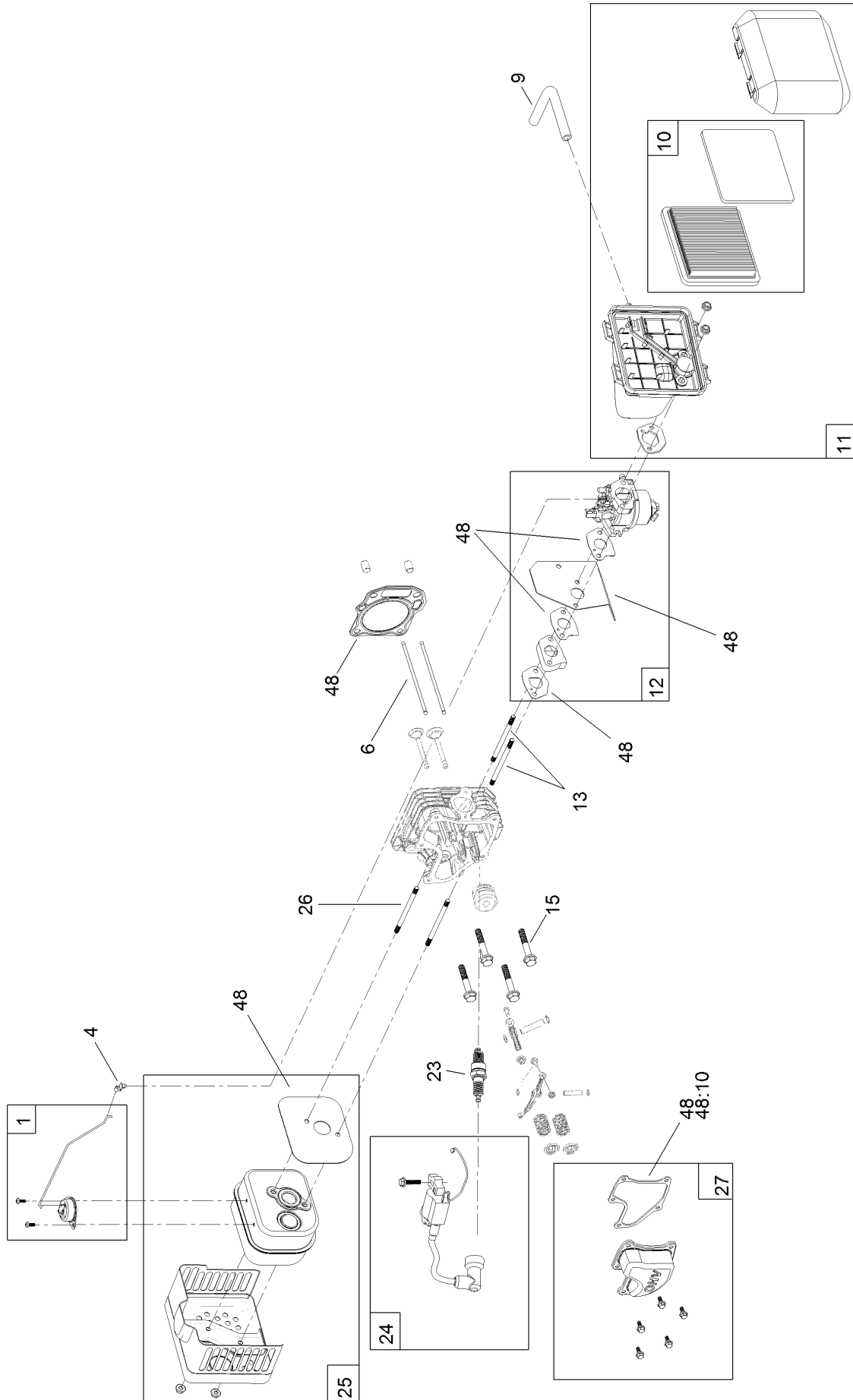


Dipstick, Brake and Governor Arm Assembly (continued)

<i>Ref.</i>	<i>Part Number</i>	<i>Qty.</i>	<i>Description</i>	<i>Ref.</i>	<i>Part Number</i>	<i>Qty.</i>	<i>Description</i>
1	121-4279	1	Dipstick And Fill Tube Kit	48	127-9144	1	Seal And Gasket Kit
11	121-4205	1	Brake Kit	48:10	121-4190	1	Gasket-Valve Cover ●
47	119-1968	1	Governor Arm Kit				

● Not illustrated

Carburetor, Muffler, Air Cleaner and Valve Cover Assembly

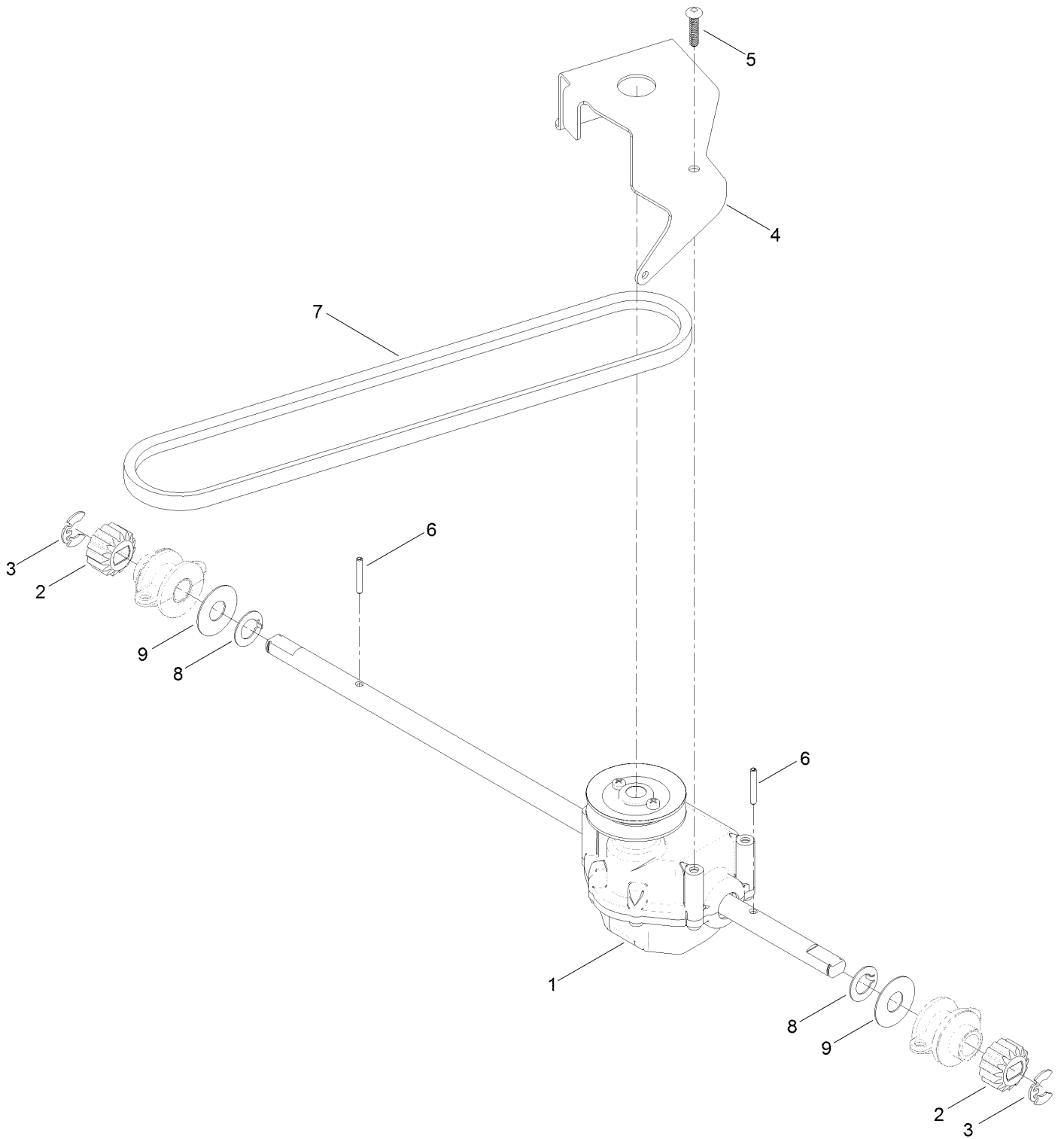


Carburetor, Muffler, Air Cleaner and Valve Cover Assembly (continued)

<i>Ref.</i>	<i>Part Number</i>	<i>Qty.</i>	<i>Description</i>	<i>Ref.</i>	<i>Part Number</i>	<i>Qty.</i>	<i>Description</i>
1	121-4175	1	Thermal Control Kit	15	121-0043	4	Bolt-Flange
4	120-4451	1	Lock-Throttle	23	121-4199	1	Spark Plug
6	121-4193	2	Rod-Push	24	121-4186	1	Ignition Kit
9	119-1902	1	Tube-Breather	25	121-4277	1	Muffler And Shield Kit
10	119-1909	1	Air Filter And Prefilter Kit	26	121-0045	2	Stud-Exhaust
11	121-4177	1	Air Cleaner ASM Kit	27	121-4188	1	Valve Cover Kit
12	127-9145	1	Carb Replacement Kit	48	127-9144	1	Seal And Gasket Kit
12	127-9146	1	Carb Repair Kit With Gaskets	48:10	121-4190	1	Gasket-Valve Cover
13	121-0367	2	Stud-Intake	99	121-4242	1	High Altitude Kit ●
				99	133-9851	1	Complete Head ASM ●

● Not illustrated

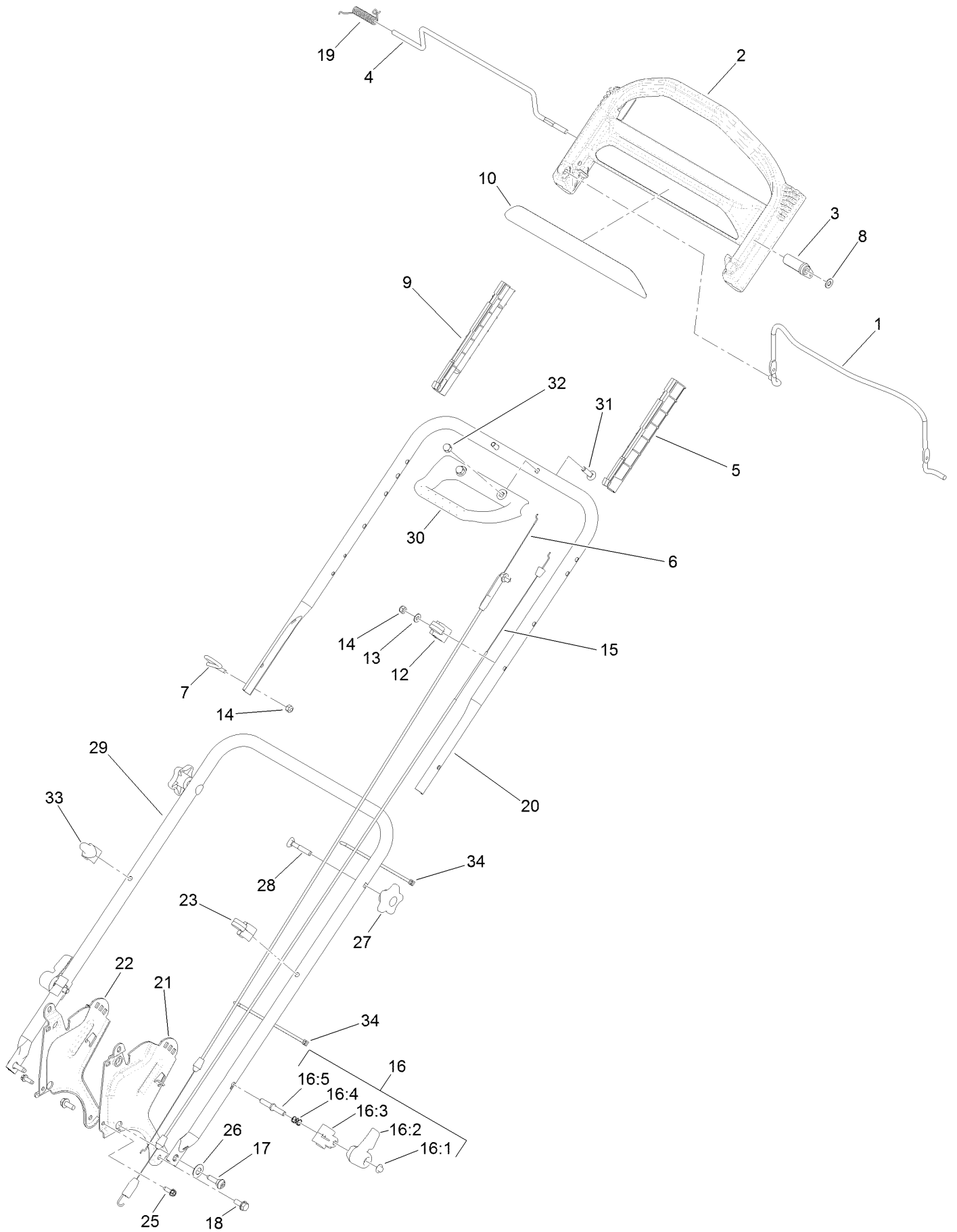
Transmission Assembly



Transmission Assembly (continued)

<i>Ref.</i>	<i>Part Number</i>	<i>Qty.</i>	<i>Description</i>	<i>Ref.</i>	<i>Part Number</i>	<i>Qty.</i>	<i>Description</i>
1	117-4086	1	Transmission-Gearbox	6	110-7192	2	Pin-Roll
2	131-5399	2	Gear-Pinion, 15T	7	110-9429	1	V-Belt
3	65-2720	2	Ring-Clip, Locking	8	112-3911	2	Washer-Thrust, Keyed
4	114-7977-03	1	Bracket-Transmission	9	110-7179	2	Washer-Plain
5	108-7476	3	Screw-Plastite				

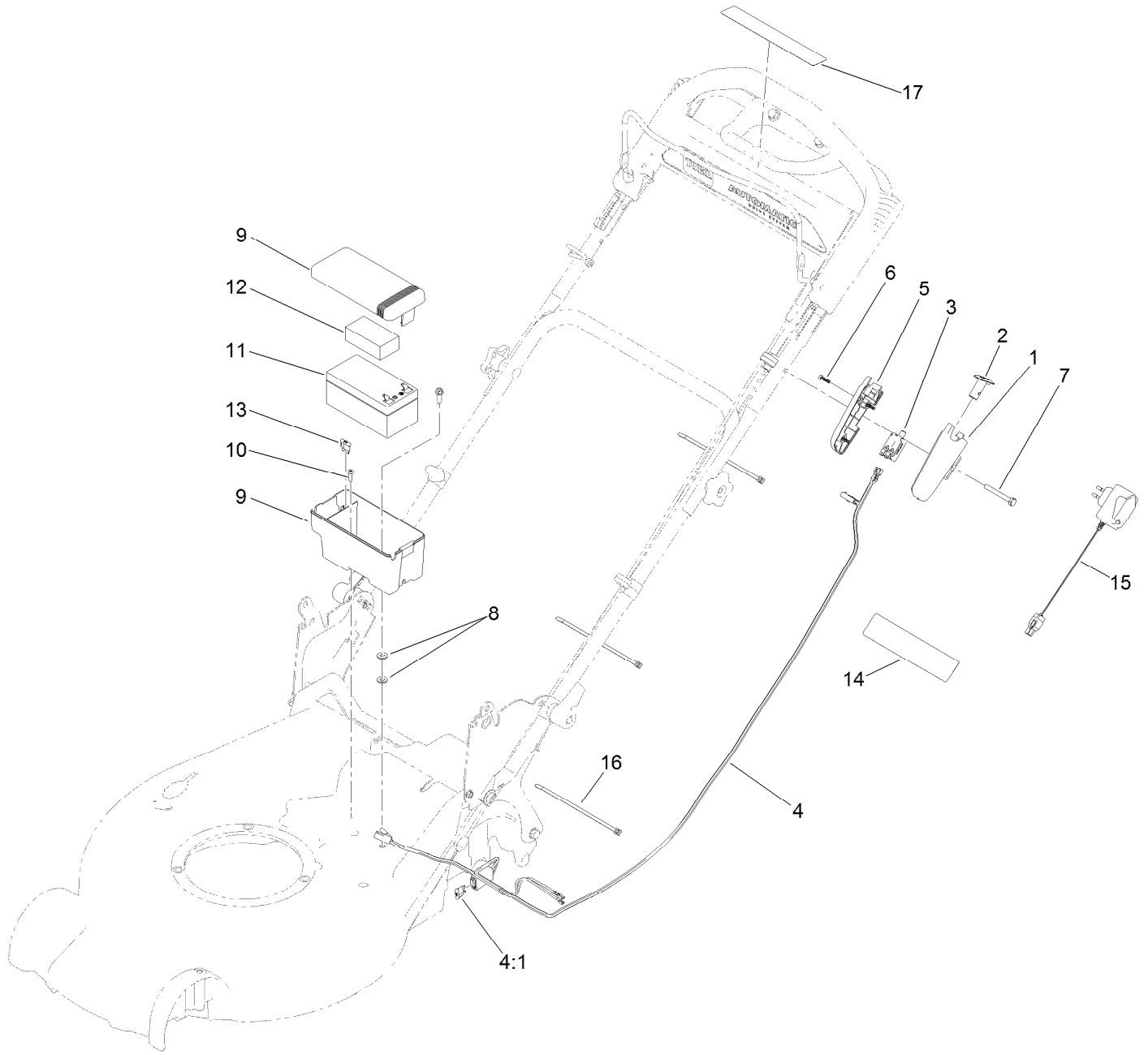
Handle Assembly



Handle Assembly (continued)

<i>Ref.</i>	<i>Part Number</i>	<i>Qty.</i>	<i>Description</i>	<i>Ref.</i>	<i>Part Number</i>	<i>Qty.</i>	<i>Description</i>
1	131-0880-03	1	Bail-Brake	16:5	114-2675	1	Rod-Release
2	104-8678	1	Handle-Control	17	119-2267	2	Screw-Shoulder, BHTF
3	99-1589	1	Lever-Traction	18	32144-11	2	Screw-HWHTF
4	99-1588	1	Bar-Control, Traction	19	121-9118	1	Spring-Torsion
5	105-6842	1	Guide-LH	20	132-4484-05	1	Handle-Upper
6	108-8157	1	Cable-Brake	21	114-2671-03	1	Bracket-Handle, LH
7	86-9671	1	Guide-Rope	22	114-2672-03	1	Bracket-Handle, RH
8	3256-23	1	Washer-Plain	23	114-7988	1	Guide-Cable
9	105-6841	1	Guide-RH	25	49-2040	2	Screw-HWHTF
10	120-3911	1	Decal-Handle	26	112-9972	2	Washer-Spring, Conical
12	136-5864	1	Anchor-Cable	27	117-5976	2	Knob-Handle
13	3256-1	1	Washer-Flat	28	112-8876	2	Screw-Handle
14	3296-73	2	Nut-Lock, NI	29	117-9380-05	1	Handle-Lower
15	117-9389	1	Cable-Traction	30	131-0847	1	Handle-Assist, Traction
16	115-2860	2	Quick Release ASM	31	99-6005	2	Bolt-Carriage
16:1	109-0917	1	Nut-Push	32	131-4535	2	Nut-Acorn
16:2	114-7995	1	Lever	33	117-9384	1	Guide-Rope, Flexible
16:3	114-7996	1	Anchor-Spring	34	614249	2	Tie-Cable
16:4	115-2858	1	Spring-Compression				

Electrical Assembly



Electrical Assembly (continued)

<i>Ref.</i>	<i>Part Number</i>	<i>Qty.</i>	<i>Description</i>	<i>Ref.</i>	<i>Part Number</i>	<i>Qty.</i>	<i>Description</i>
1	133-8160	1	Housing-Switch, LH	9	108-4844	1	Battery Box ASM
2	125-2470	1	Button-Switch	10	32144-32	1	Screw
3	121-9173	1	Switch-Push Button	11	106-8397	1	Battery-Wet
4	125-5025	1	Harness-Wire	12	107-3774	1	Foam-Battery, Top
4:1	99-6124	1	Fuse-40 Amp	13	99-6124	1	Fuse-40 Amp
5	133-8161	1	Housing-Switch, RH	14	104-7953	1	Decal-Warning
6	94-4496	3	Screw-PPH	15	120-3947	1	Charger-CE
7	321-50	1	Screw-HH	16	614249	3	Tie-Cable
8	3256-22	2	Washer-Flat	17	133-1900	1	Decal-Button, Push

Attachments and Accessories

For 20838 48cm Super Bagger Lawn Mower

Product Name	Model/Part
Lawnmower Cover.....	490-7462
Plain Walk Mower Cover.....	490-7463

Notes:



Count on it.