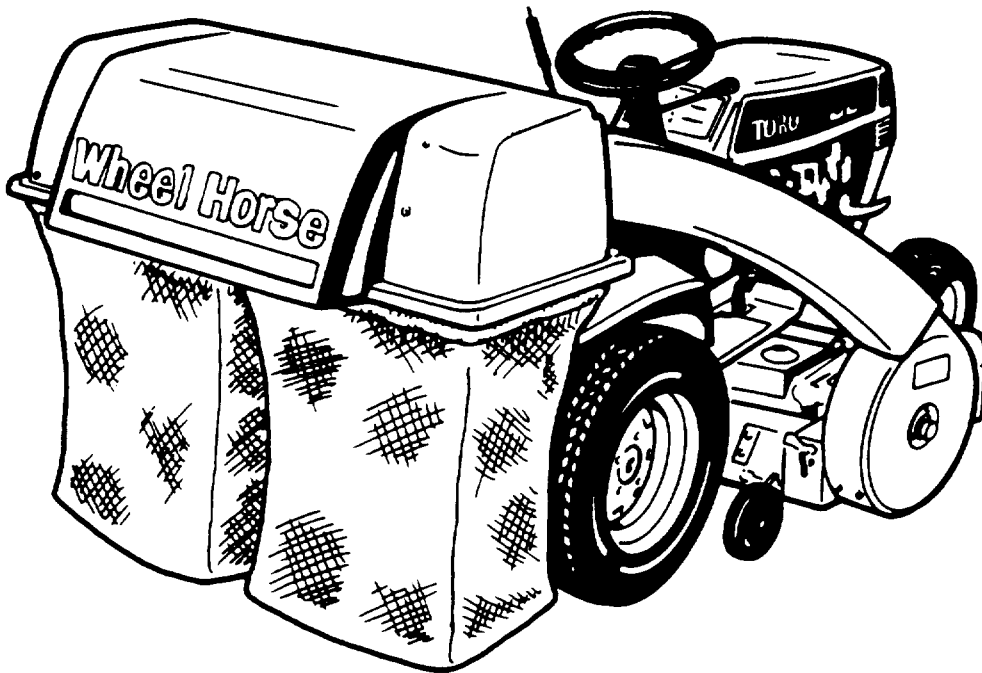




MODEL NO. 79301—3900001 & up	OPERATOR'S MANUAL
WHEEL HORSE® Easy Twin Grass Bagger for 42" & 48" "C" Series Mowers	

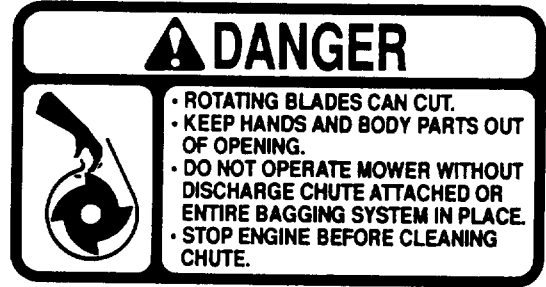


SAFETY AND INSTRUCTION DECALS

The following safety and instruction decals are affixed to the bagger unit. If any decal becomes illegible or damaged, install a new decal. Part numbers are listed below. Order replacements from your authorized TORO dealer.



ON THE INSIDE BAGGER HINGE FRAME
(Part No. 79-7410)



MOLDED INTO THE BLOWER HOUSING



MOLDED INTO THE BELT COVER



MOLDED INTO THE THE BELT COVER



ON THE INNER SHIELD
(Part No. 66-1340)

MODEL NUMBER

Your TORO Wheel Horse bagging attachment has a decal listing its model and serial number. This decal is on the inside of the Bagger top assembly. Always refer to the model number when consulting with your dealer or the factory about service, replacement parts, or questions you may have. Replace the model number plate if it is lost during operation or

maintenance. For your reference, record the number from the plate in the diagram below.

MODEL	<input type="text"/>
SERIAL	<input type="text"/>
The TORO Company 8111 Lyndale Avenue South Minneapolis, MN 55420	

ASSEMBLY

Mower Preparation

1. Lower the mower to its lowest position and engage the parking brake.
2. Remove the grass deflector and belt cover from the mower (Fig. 1). Save both the deflector and the belt cover for use if you remove the bagger later and want to discharge grass to the side.

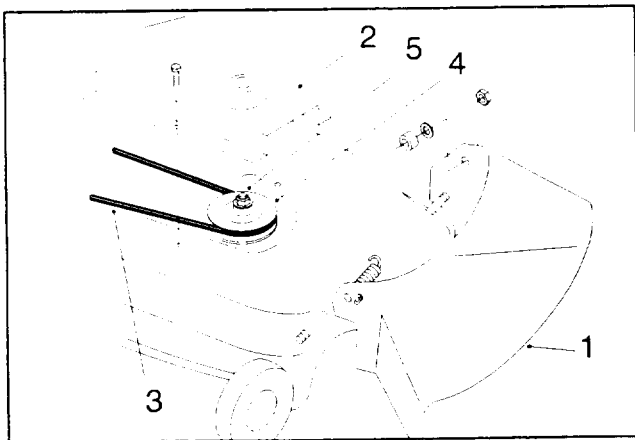


Figure 1

1. Grass deflector
2. Belt cover (shape varies)
3. Mower drive belt
4. Pulley
5. Pulley nut and washer (5/8")

3. Rotate the mower drive belt off the pulley (Fig. 1).

4. Remove the 5/8" pulley nut and lock washer. Block the blade with a piece of wood or some other device to stop it from turning while you remove the pulley nut.

Service Tip: If you cannot loosen the pulley nut because the blade slips, remove the blade. Then hold the hex portion of the spindle and continue removing the pulley nut. However, when you

remove the nut, the spindle shaft is free to drop out of the spindle.

Note: Save the pulley because you must reinstall it if you use the mower to side discharge. The 5/8" nut and lock washer are used in the next step when you install the new double pulley.

5. Slide the new double pulley onto the pulley shaft and secure it in place with a 5/8" lock washer and nut (Fig. 2). Make sure the word "TOP", stamped into smaller pulley, faces up. Tighten the nut to 60–80 ft-lb.

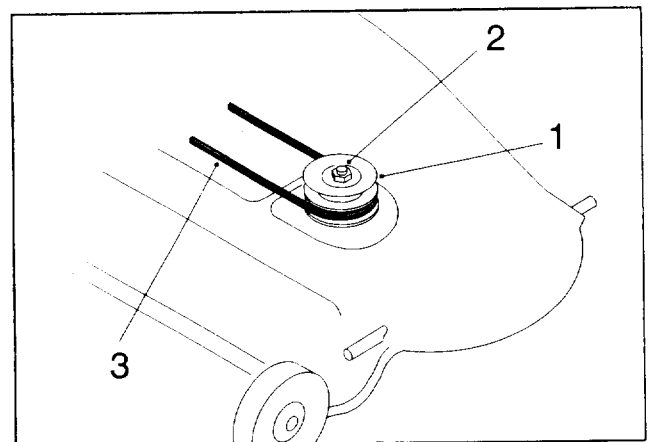


Figure 2

1. New double pulley (note "TOP" in smaller pulley)
2. Lock washer and nut (5/8")
3. Mower belt

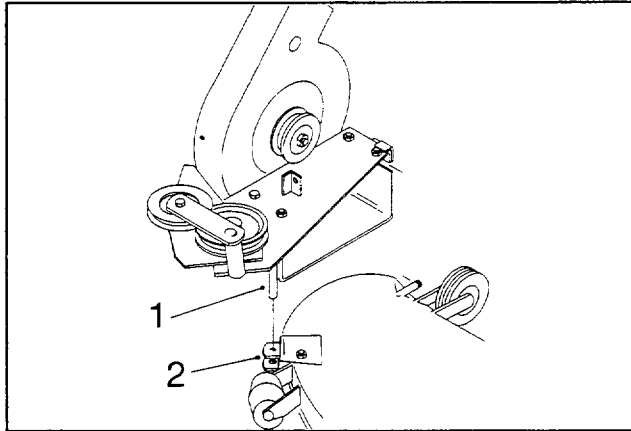
6. Install the existing mower belt by rotating it over the top pulley and onto the bottom pulley (Fig. 2).

Note: Make sure the mower belt stays on the spring-loaded idler and the other spindle pulleys.

ASSEMBLY

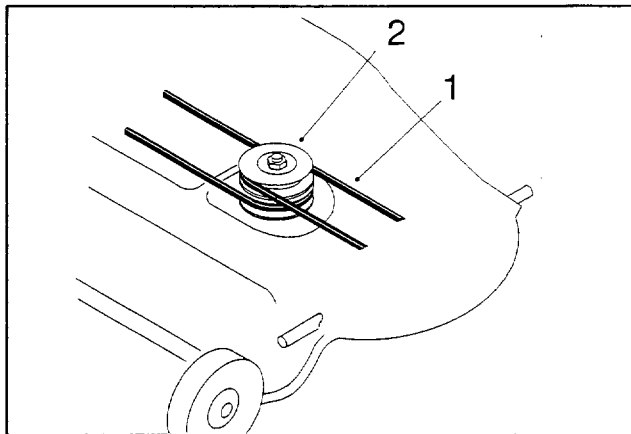
Mount the Blower to the Mower

1. Install the blower assembly by inserting the pivot pin into the blower pivot support (Fig. 3).



1. Pivot pin
2. Pivot support

2. Install the blower belt onto the upper pulley, leaving the other end loose (Fig. 4).



1. Blower belt
2. Upper Pulley

Note: Use the belt with the part number "79-7480" for 42" mowers and the belt with the part number "79-7490" for 48" mowers.

3. With the blower swung out in the open position, install the blower belt between the idler pulley bracket and pulley. Then loop it around the remaining pulleys (Fig. 5).

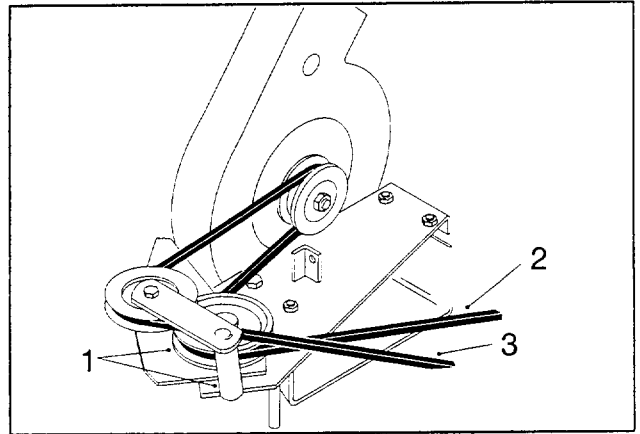


Figure 5

1. Idler pulley bracket and pulley
2. Top side of belt against the bottom pulley
3. V-side of belt into the top pulley

4. With the belt installed, swing the blower toward the mower until the blower latch locks over the pin at the back of the mower (Fig. 6).

Note: If you cannot latch the blower in place because of an obstruction on the 42" mower, cut enough material off the blower housing until it closes and latches completely.

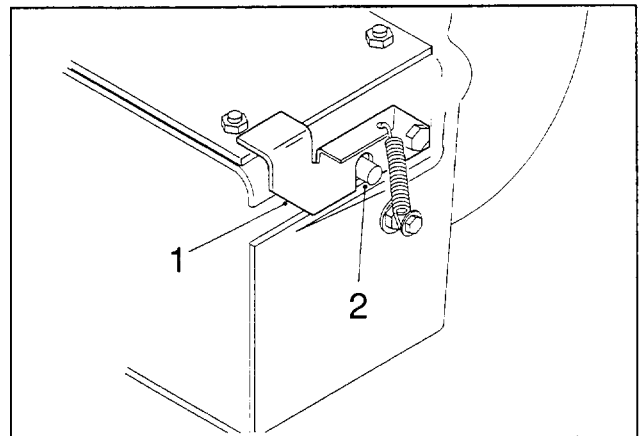


Figure 6

1. Blower latch
2. Pin

Install the Belt Covers

1. Two mower belt-cover brackets are supplied (Fig. 7). The long, narrow bracket is for 48" mowers. The short, wide bracket is for 42" mowers.

ASSEMBLY

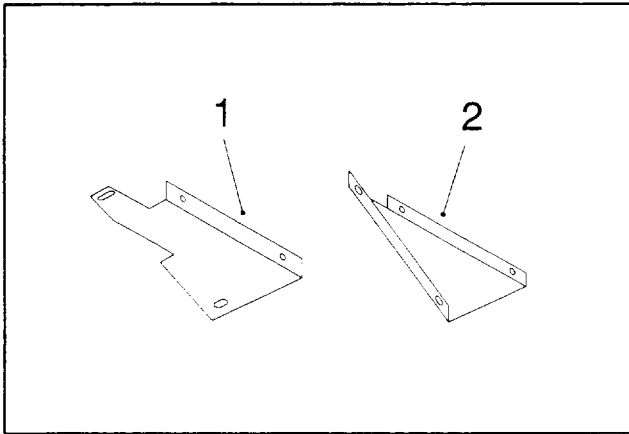


Figure 7

1. 42" Belt-cover bracket 2. 48" Belt-cover bracket

2. Install the mower belt-cover bracket (Fig. 8).

For 42" mowers—Mount the belt-cover bracket using two $\frac{1}{4}$ " x $\frac{1}{2}$ " thread-forming hex-head flange screws in the same holes that the original cover used.

For 48" mowers—Mount the belt-cover bracket to the rib on the top of the mower using two $\frac{1}{4}$ " x $\frac{3}{8}$ " flange-head screws.

Note: Be sure the flange screws are centered in the slots in the bracket when you tighten them.

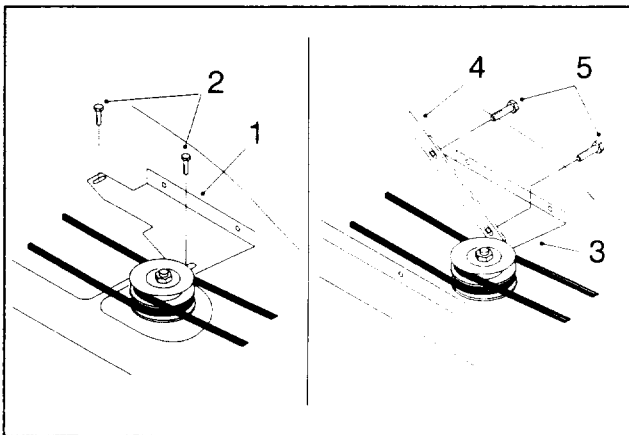


Figure 8

1. 42" Belt-cover bracket
 2. Thread-forming hex-head flange screw ($\frac{1}{4}$ " x $\frac{1}{2}$ ")
 3. 48" Belt-cover bracket
 4. Rib
 5. Hex-head flange screw ($\frac{1}{4}$ " x $\frac{3}{8}$ ")

3. Install the mower belt cover.

42" Mower belt cover—Mount the mower belt cover loosely on the outside of the belt-cover bracket and the top of the mower using three $\frac{1}{4}$ " x $\frac{1}{2}$ " thread-forming hex-head flange screws (Fig. 9). **Do not tighten the screws** because an adjustment must be made later.

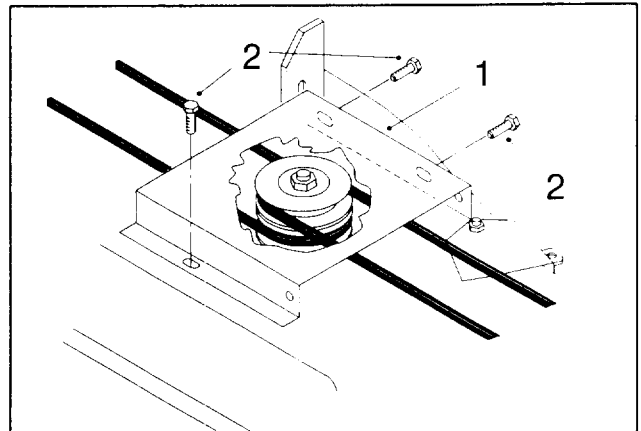


Figure 9

1. 42" Mower belt cover
 2. Thread forming hex-head flange screw ($\frac{1}{4}$ " x $\frac{1}{2}$ ")

48" Mower belt cover—Mount the mower belt cover loosely on the outside of the belt-cover bracket and rib using one $\frac{1}{4}$ " x $\frac{3}{8}$ " hex-head flange screw and two $\frac{1}{4}$ " x $\frac{1}{2}$ " thread-forming hex-head flange screws (Fig. 10). **Do not tighten the screws** because an adjustment must be made later.

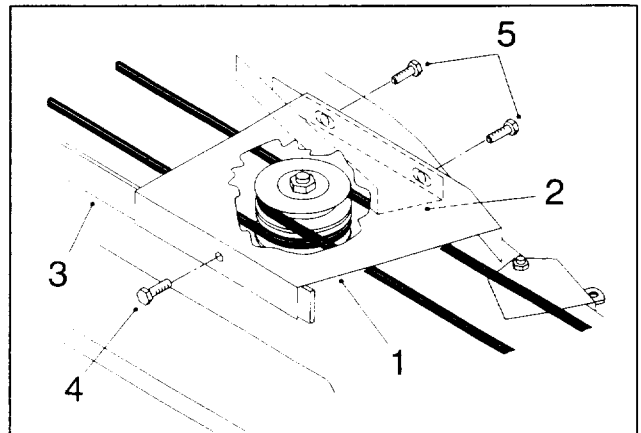


Figure 10

1. 48" Mower belt cover
 2. Belt cover bracket
 3. Rib
 4. Hex-head flange screw ($\frac{1}{4}$ " x $\frac{3}{8}$ ")
 5. Thread-forming flange screw ($\frac{1}{4}$ " x $\frac{1}{2}$ ")

ASSEMBLY

4. Install the blower belt cover using two $\frac{1}{4}$ " x $\frac{5}{8}$ " hex-head bolts and $\frac{1}{4}$ " nylon lock nuts (Fig. 11). Tighten the nuts until you feel a slight drag on the cover when you rotate it. The cover must close freely.

5. Close the blower cover completely. While holding the blower cover down, tighten the mower belt-cover screws (Fig. 9 or 10).

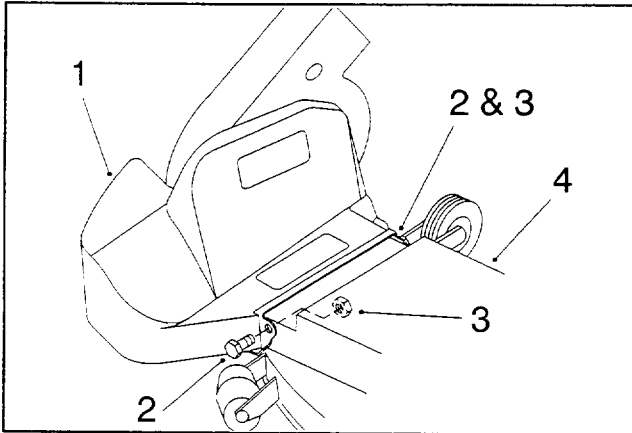


Figure 11

- 1. Blower belt cover
- 2. Bolts ($\frac{1}{4}$ " x $\frac{5}{8}$ ")
- 3. Nylon lock nuts ($\frac{1}{4}$ ")
- 4. Mower belt cover—tighten screws

Install the Bagger Assembly

1. Lower the quick-attach bracket into the notches in the support brackets on the tractor frame and onto the drawbar hitch (Fig. 12).

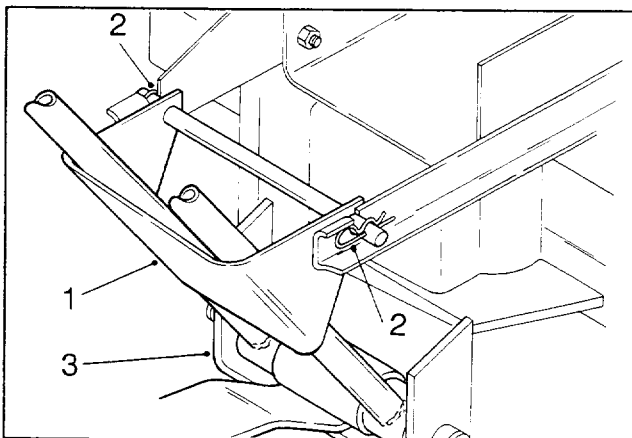


Figure 12

- 1. Quick-attach bracket
- 2. Hairpin cotters
- 3. Draw bar hitch

2. Install the two hairpin cotters through the holes in the quick-attach bracket (Fig. 12). You may need to move the brackets upward to get the hairpin cotters through the holes.

3. Tilt the tractor seat forward. Slide the bagger top onto the quick-attach bracket (Figure 13).

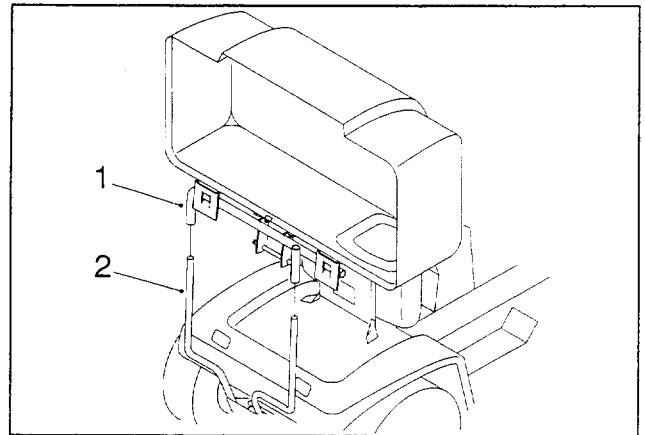


Figure 13

- 1. Bagger top
- 2. Quick-attach bracket

4. Slide the bag frame hook onto the retaining bracket (Fig. 14).

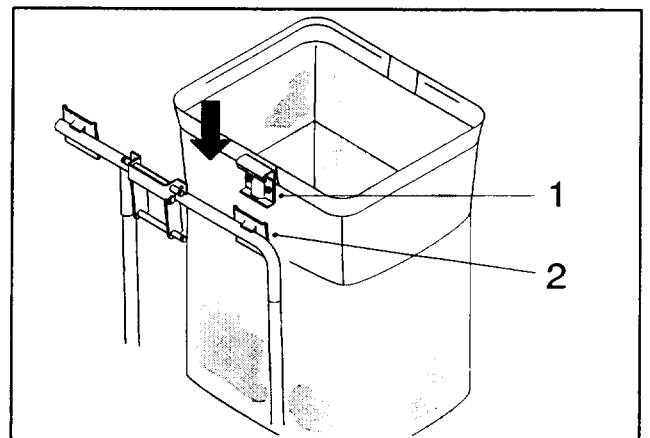


Figure 14

- 1. Bag frame hook
- 2. Retaining bracket

5. Close the bagger top and push down on both bag retainer handles until they lock on the bag frame.

ASSEMBLY

Mount the Discharge Tube

1. Insert the upper end of the discharge tube into the bagger top. Slide the lower end of the discharge tube over the blower discharge opening (Fig. 15).
2. Hook the rubber latch onto the blower knob (Fig. 15).

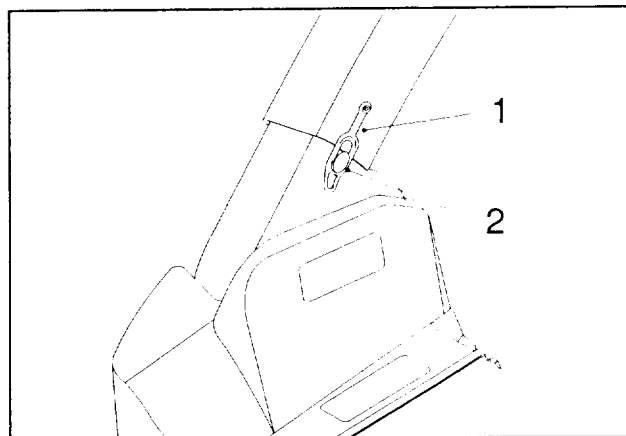


Figure 15

1. Rubber latch

2. Blower knob

OPERATION



CAUTION

To Avoid personal injury:

Become familiar with all operating instructions and safety suggestions in the operator's manuals for your tractor and mower before operating this equipment.

- **Never** do maintenance or repairs while the engine is running.
- **Never** remove the discharge tube, bagger top or grass bags while the engine is running.
- **Shut off the engine** before unclogging the discharge tube.
- **Never** operate the mower with the bagger removed and the grass deflector off. Always replace the grass deflector and belt cover, if operating without the bagger, to avoid personal injury.

OPERATING TIPS

1. **Size.** Remember that the tractor is made longer and wider with this attachment, so be sure to avoid sharp turns in confined places.
2. **Trimming.** Don't trim with the right side of the mower. Trimming with the right side of the mower can damage the blower and discharge tube.
3. **Speed.** Generally you can operate the bagger at normal mowing speed. Because of the extra

power required to drive the blower, sometimes it may be necessary to reduce the tractor's ground speed to keep the engine running smoothly at maximum rpm. When mowing uphill, reduce the tractor's ground speed by at least one gear. This will help avoid a large power drop and loss of blower efficiency. When practical, set up a mowing pattern that will permit as much downhill mowing as possible.



CAUTION

Quick stops or starts on hills can tip tractors!

Do not stop or start suddenly when going uphill or downhill. Avoid uphill starts. If the tractor is stopped going up a slope, turn the attachment off and back slowly down the slope, keeping the machine in gear. Do not stop or change gears (speed) on slopes.

4. **Grass Bags Full.** Lift the "full-bag" indicator rod periodically to check if the grass bags are becoming full. The left bag will normally fill first. Then, as the right bag fills, you will feel resistance when you lift the full-bag indicator rod. During operation, a small amount of grass clippings will be blown out the front of the mower. When this flow increases, it is also an indication that the grass bags are full.

IMPORTANT: If suction action or pick-up should stop during use, disengage the mower and shut off the engine. Check for full grass bags or a clogged discharge tube, mower or blower.

OPERATION

Always empty bags when filled and after each use.



CAUTION

Rotating parts or debris from the blower or bagger can cause Injury!

Never operate the bagger without the discharge tube and bags installed.



CAUTION

Stored bags can cause fires!

Grass bags are not storage containers. Never leave fresh grass clippings or other organic matter in bags for any length of time. Under the right conditions, spontaneous combustion (a fire-generating process that occurs without an external source of ignition) can occur with this type of material.

Grass bags can weigh up to 90 lb (41 kg) when full. Use care when removing or handling a filled grass bag.

5. Emptying the Bags. Raise the seat of the tractor and release both bagger top latches. Raise the bagger top and gently compress debris into the bags. With both hands, lift up on one of the bags to release it from the frame hook. Dispose of debris and reinstall the bag. Repeat for the other bag.

Plastic liners may be inserted in grass bags for more convenient grass clipping disposal. If you use a plastic liner, remove the bag and tie the top of the liner. Pull the liner out of the bag or turn the bag upside down while holding the web handle on the bottom of the bag to allow the filled liner to slide out.

REMOVING THE BAGGER



WARNING

Operating Without The Grass Deflector Can Lead to Serious Injury!

Install the original grass deflector, belt, pulley and belt cover if you operate the mower without the bagger attachment.

MAINTENANCE

1. Inspect Bagger. After the first 10 hours of operation, check that all parts of the bagger and all fasteners are tight and in good condition. Pay special attention to the condition of the discharge tube and top—replace these parts if they are cracked or broken.

IMPORTANT: Check grass bags often for wear and deterioration. Always replace damaged or torn bags with TORO Wheel Horse bags.

2. Washing. After use, remove and wash the bagger top and discharge tube with a garden hose. Use a mild automotive detergent to remove stubborn dirt. After washing, let all parts dry thoroughly.

IMPORTANT: Remove bags and check the blower and underside of the mower after use and clean as necessary. Matted grass in these areas can seriously affect cutting performance.

3. Grass Bags. Store bags in a way that will insure complete drying after use. Keeping grass bags dry will help prevent deterioration of bag

material and add to the useful life of bags. Washing bags is not recommended.

4. Blades. Inspect blades at specified intervals, and whenever a blade strikes a foreign object. If blades are badly worn, install new blades.

5. Storage. Before storing the attachment, clean it thoroughly and let it dry. Store the bagger in a clean, dry place, out of direct sunlight. This will protect the plastic parts and extend the life of the bagger. Use a weatherproof cover if storing the equipment outside.

6. Blower Impeller and housing. Check the impeller and blower housing frequently, especially in sandy areas. Replace all worn parts.

If a foreign object is hit or gets in the blower, stop the engine immediately and inspect for damage. Immediately repair all damage related to safety and mechanical operation.