



Count on it.

Parts Catalog

22in Recycler®

Lawn Mower

Model No. 20357—Serial No. 40000000 and Up



Ordering Replacement Parts

To order replacement parts, please supply the part number, the quantity, and the description of each part desired.

Understanding Reference Numbers

Each identified part in an illustration has a reference number. The reference number for a part also appears in the parts list, along with other information about the part.

This catalog uses two special reference number formats, one to indicate parts in a service assembly and another to indicate the quantity of a given part in an illustration.

Service Assembly Reference Numbers

Parts in service assemblies have reference numbers in the form a:b. The a represents the reference number of the entire service assembly and the b represents a sequential number unique to each part within the service assembly.

For example, a wheel assembly might be identified by reference number 6, the tire by 6:1, the valve by 6:2, and the wheel by 6:3. When you order the assembly identified by reference number 6, you receive all parts identified by reference numbers 6:1, 6:2, and 6:3. However, you may also order any part individually. Reference numbers of this type appear in illustration and in parts lists.

Reference Numbers Indicating Quantity

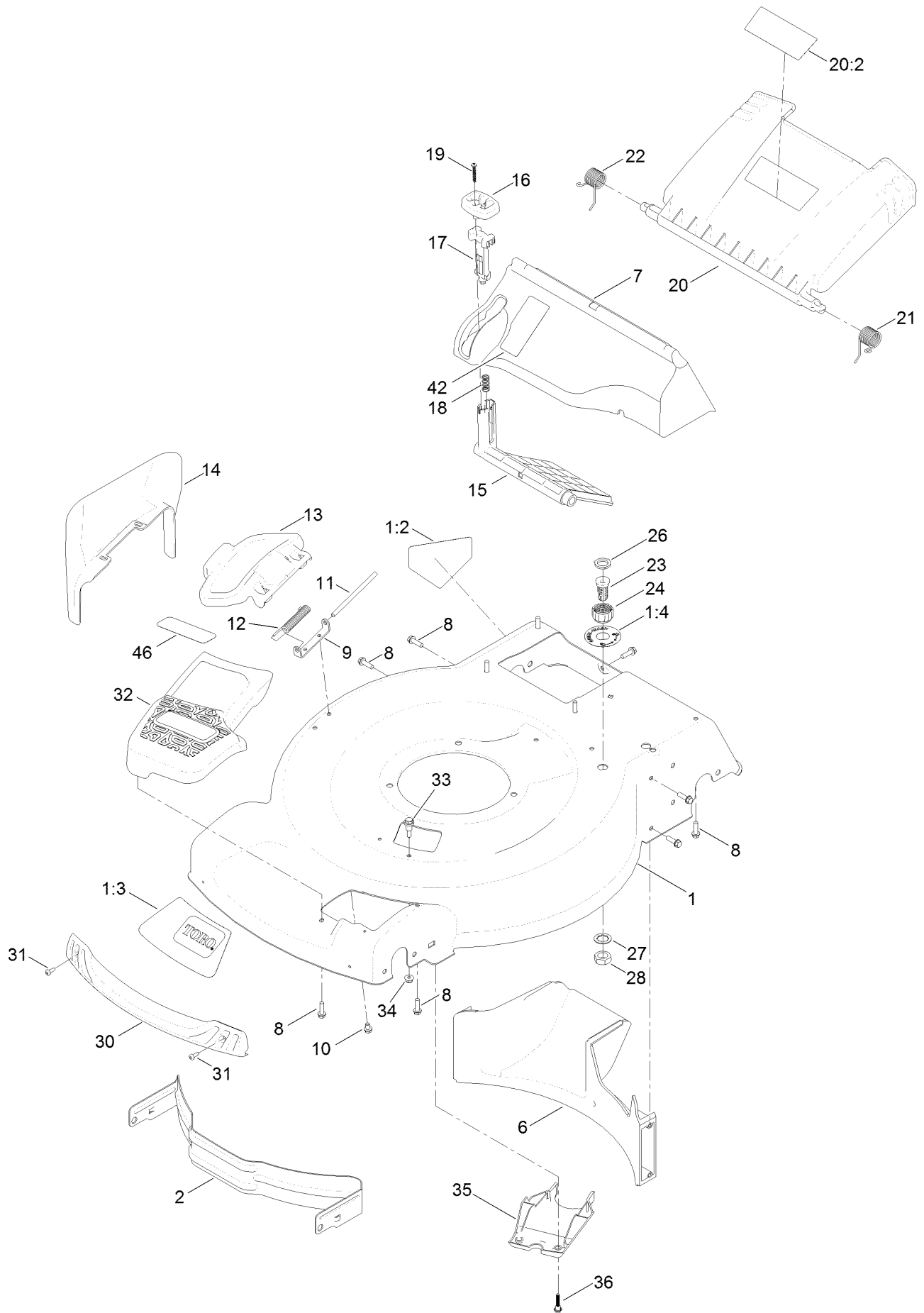
In an illustration, if a reference number indicates more than one part, the reference number has the form nX y. The n represents the quantity of the part, the X is the multiplication symbol, and the y represents the reference number.

For example, in an illustration, the reference number 2X 37 means that two of the parts identified by reference number 37 are indicated.

Contents

Housing Assembly	4
Bag Assembly	6
Engine and Blade Assembly	8
Fuel System Assembly	10
Air Intake and Filtration Assembly	12
Ignition and Electrical Assembly	14
Crankcase Assembly	16
Governor Control Assembly	18
Piston and Cylinder Head Assembly	20
Blower Housing Assembly	22
Front Wheel and Height-of-Cut Assembly	24
Rear Wheel and Height-of-Cut Assembly	26
Handle Assembly	28
Attachments and Accessories	30

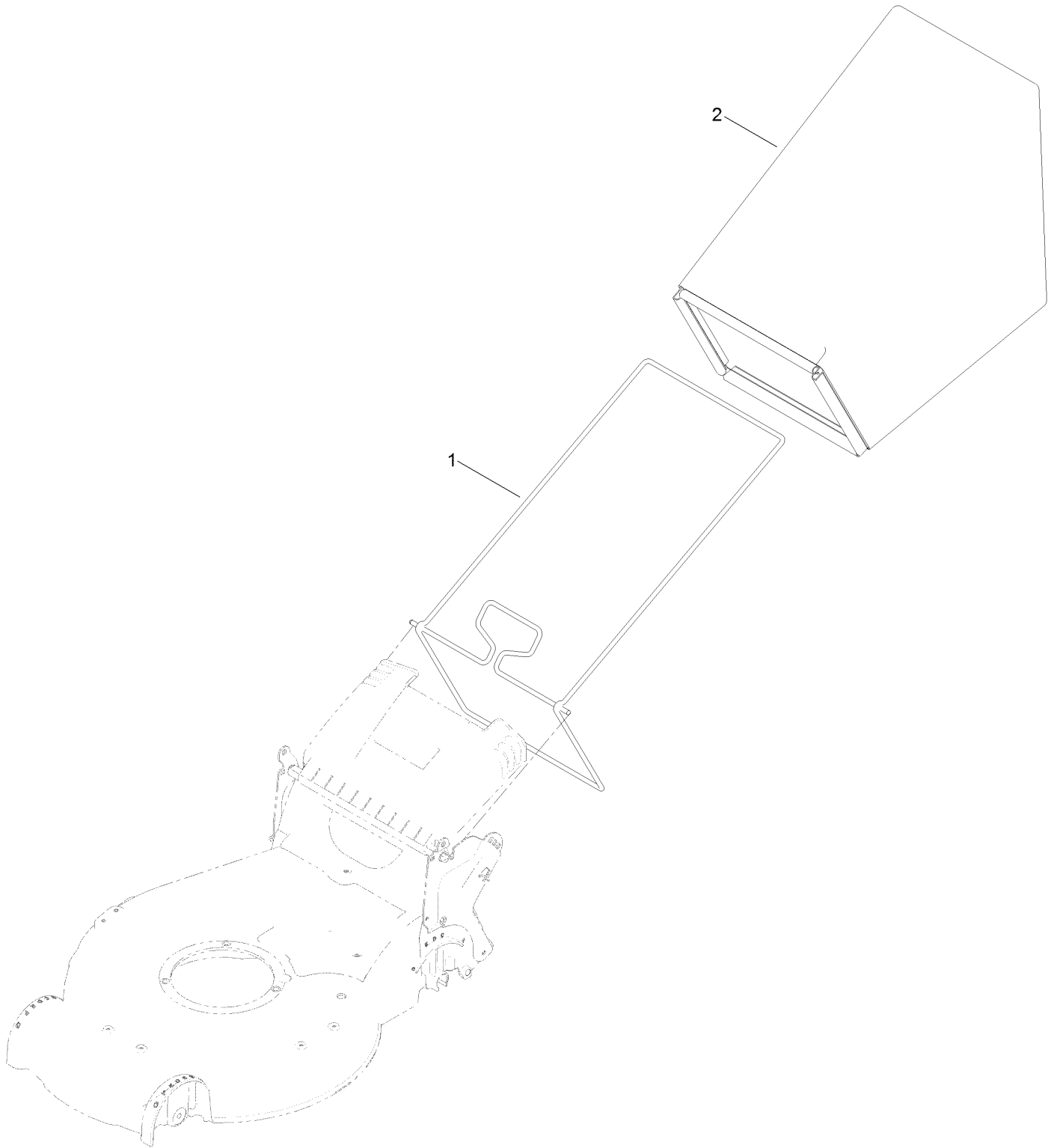
Housing Assembly



Housing Assembly (continued)

<i>Ref.</i>	<i>Part Number</i>	<i>Qty.</i>	<i>Description</i>	<i>Ref.</i>	<i>Part Number</i>	<i>Qty.</i>	<i>Description</i>
1	131-4579	1	Housing ASM	20	121-5776	1	Rear Door ASM
1:2	94-8072	1	Decal-Danger	20:2	131-4514	1	Decal-Warning
1:3	131-4526	1	Decal-Deck	21	115-2859	1	Spring-Torsion
1:4	112-8867	1	Decal-Port, Washout	22	114-7924	1	Spring-Torsion
2	114-7963-01	1	Baffle-Front	23	112-6400	1	Port-Washout
6	114-7961	1	Baffle-Rear	24	112-6401	1	Coupling-Hose, Washout Port
7	136-5882	1	Chute-Recycle	26	112-6438	1	Washer-Seal, Washout Port
8	46-8091	11	Screw-HWH	27	3254-5	1	Washer-Tooth, Internal
9	112-6416	1	Bracket-Cover	28	3218-6	1	Nut-Jam
10	99-8445	2	Screw-HWH	30	114-7987	1	Bumper
11	99-5291	1	Rod-Cover	31	105-6849	2	Screw-Forming, Thread
12	99-5293	1	Spring-Torsion	32	133-8152	1	Cover-Belt, Front
13	115-8449	1	Deflector-Side	33	104-0858	1	Bolt-Shoulder
14	115-8447	1	Chute-Discharge, Side	34	3296-16	1	Nut-Lock, NI
15	114-7960	1	Deflector-Recycle	35	133-1973	1	Cover-Belt, Front
16	114-7958	1	Knob-Recycle	36	131-0837	2	Screw-Shoulder, HHF
17	114-7959	1	Latch-Recycle	42	125-5026	1	Decal
18	117-1031	1	Spring-Compression	46	136-5876	1	Decal-Cover
19	32104-120	2	Screw-PPH				

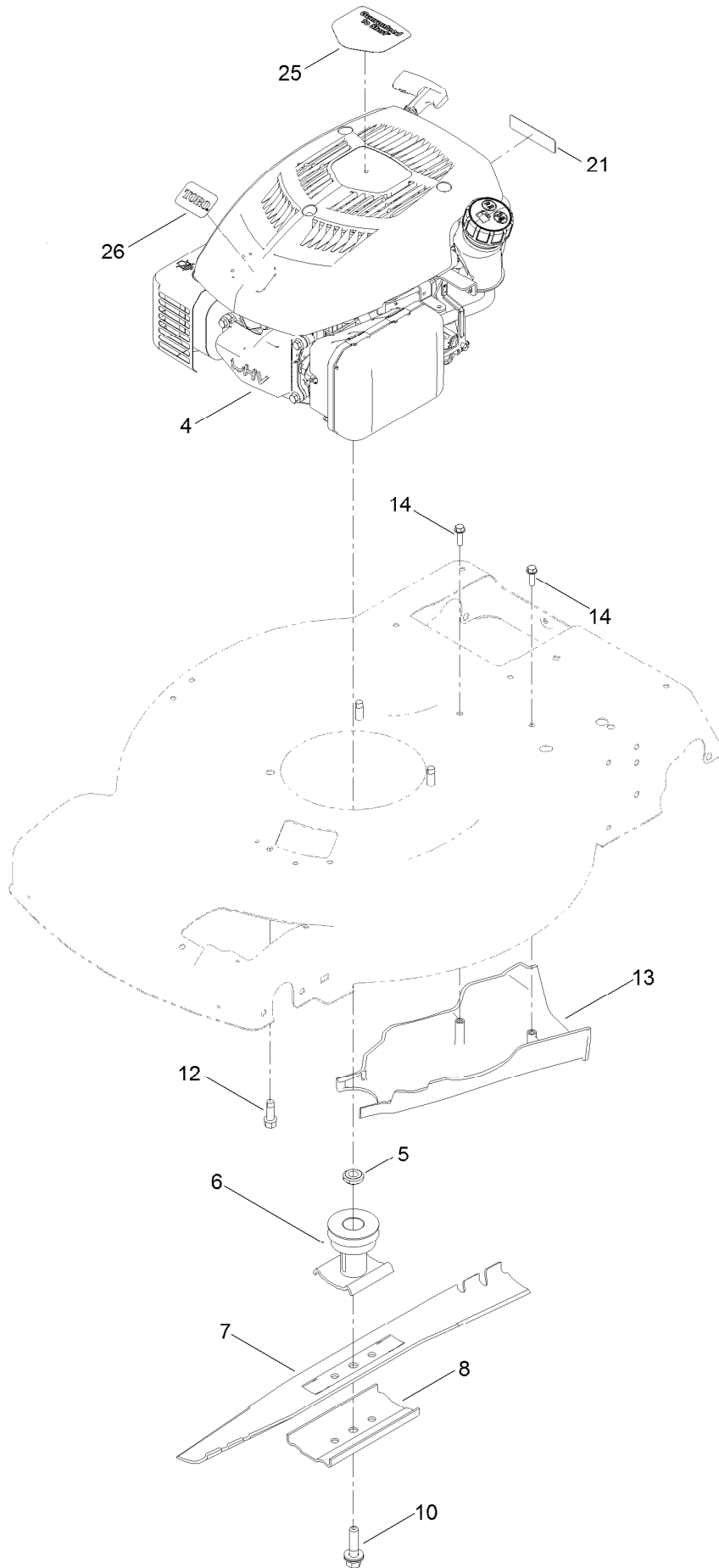
Bag Assembly



Bag Assembly (continued)

<i>Ref.</i>	<i>Part Number</i>	<i>Qty.</i>	<i>Description</i>
1	132-4529-03	1	Bag Frame ASM
2	114-2664	1	Grass Bag ASM

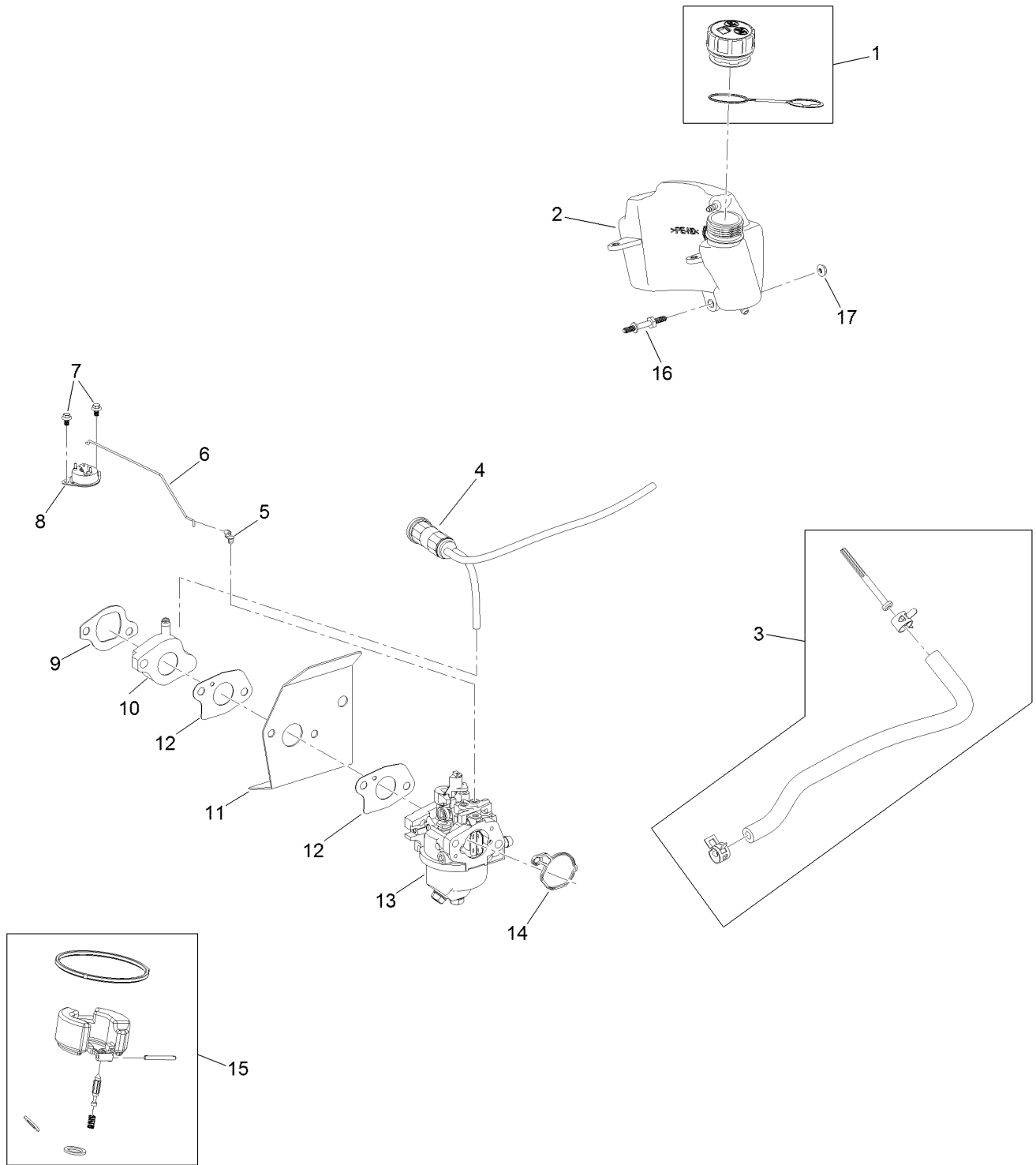
Engine and Blade Assembly



Engine and Blade Assembly (continued)

<i>Ref.</i>	<i>Part Number</i>	<i>Qty.</i>	<i>Description</i>	<i>Ref.</i>	<i>Part Number</i>	<i>Qty.</i>	<i>Description</i>
4	133-9860	1	Engine-1P65F	12	95-1726	3	Screw-Taptite
5	106-3999	1	Spacer-Driver	13	130-6709	1	Cover-Belt, Rear
6	130-6705	1	Driver-Blade	14	46-8091	2	Screw-HWH
7	131-4547-03	1	Blade-22 Inch	21	117-2718	1	Decal-Arrester, Spark
8	108-3766-03	1	Support-Blade	25	136-9139	1	Decal-Engine
10	125-2466	1	Bolt-Blade	26	136-5863	1	Decal

Fuel System Assembly

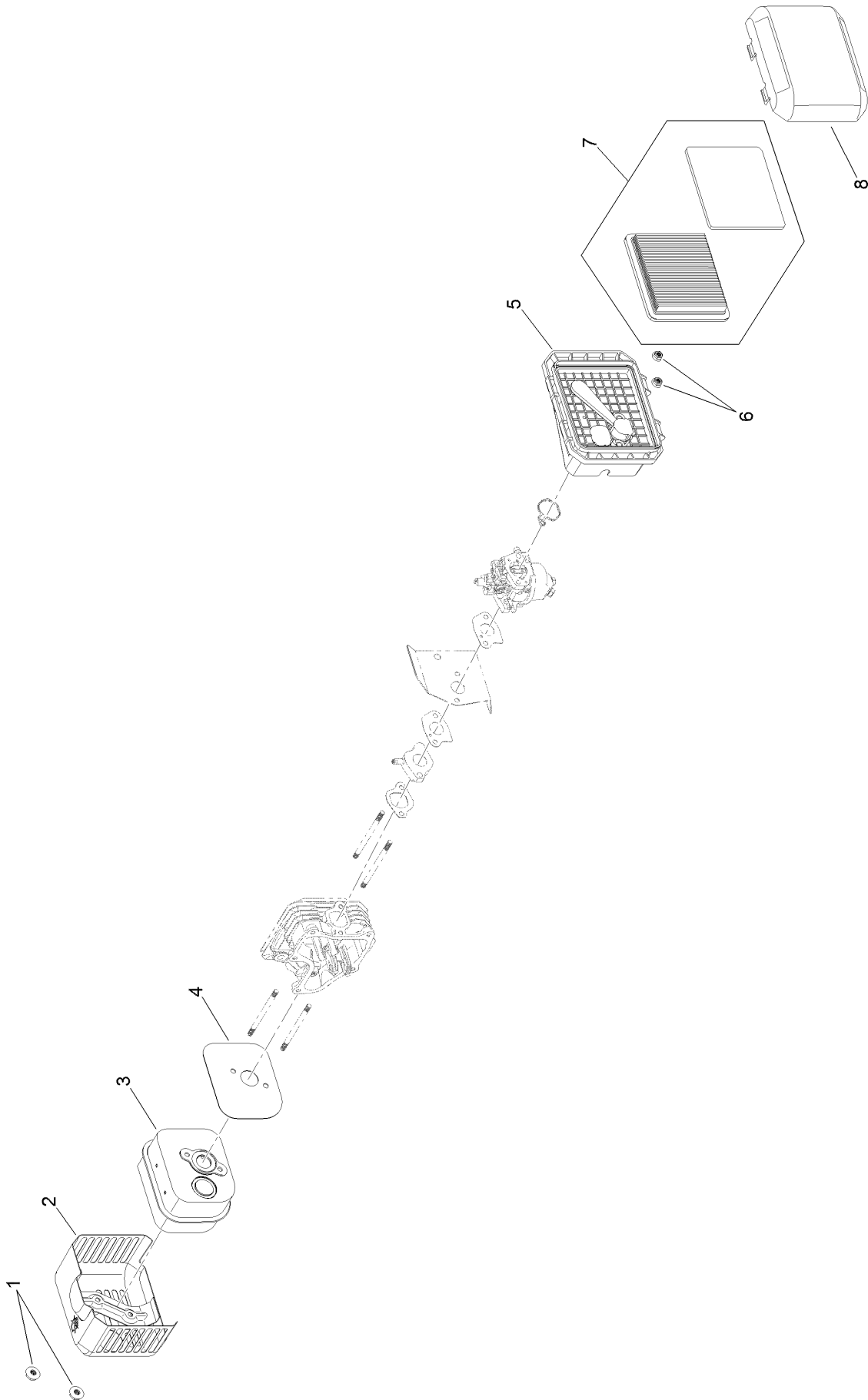


Fuel System Assembly (continued)

<i>Ref.</i>	<i>Part Number</i>	<i>Qty.</i>	<i>Description</i>	<i>Ref.</i>	<i>Part Number</i>	<i>Qty.</i>	<i>Description</i>
1	133-9887	1	Cap-Fuel, Sealed	10	133-9902	1	Spacer-Carburetor
2	133-9888	1	Tank-Fuel	11	133-9901	1	Insulator-Carburetor
3	121-4167	1	Fuel Line Kit	12	121-4184	2	Gasket-Carburetor
4	133-9874	1	Canister-Carbon, 19 Cc	13	133-9900	1	Carburetor
5	120-4451	1	Lock-Throttle	14	133-9899	1	Gasket-Carburetor
6	133-9909	1	Linkage-Choke, Thermal	15	127-9395	1	Internal Carb Service Kit
7	133-9908	2	Screw-HWH, Thd Form	16	121-0016	1	Bolt-Stud
8	133-9907	1	Control-Thermal	17	120-4236	1	Nut-Flange
9	121-4183	1	Gasket-Intake	99	133-9943	1	High Altitude Kit ●

● Not illustrated

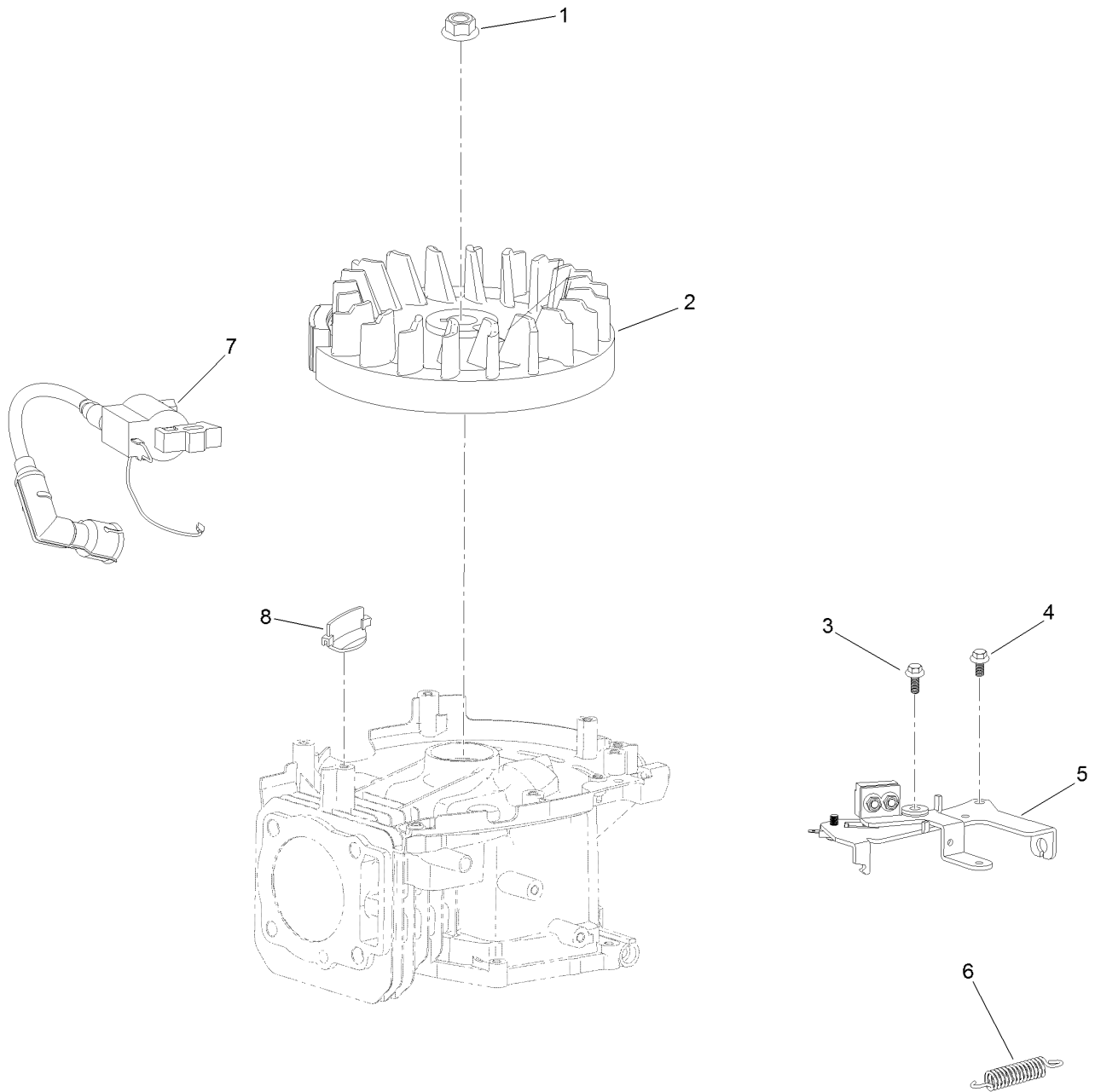
Air Intake and Filtration Assembly



Air Intake and Filtration Assembly (continued)

<i>Ref.</i>	<i>Part Number</i>	<i>Qty.</i>	<i>Description</i>	<i>Ref.</i>	<i>Part Number</i>	<i>Qty.</i>	<i>Description</i>
1	121-0010	2	Nut-Flange	5	133-9898	1	Base-Cleaner, Air
2	133-9906	1	Shield-Muffler	6	120-4236	2	Nut-Flange
3	121-0166	1	Muffler ASM	7	119-1909	1	Air Filter And Prefilter Kit
4	121-0034	1	Gasket-Exhaust	8	121-0364	1	Cover-Cleaner, Air

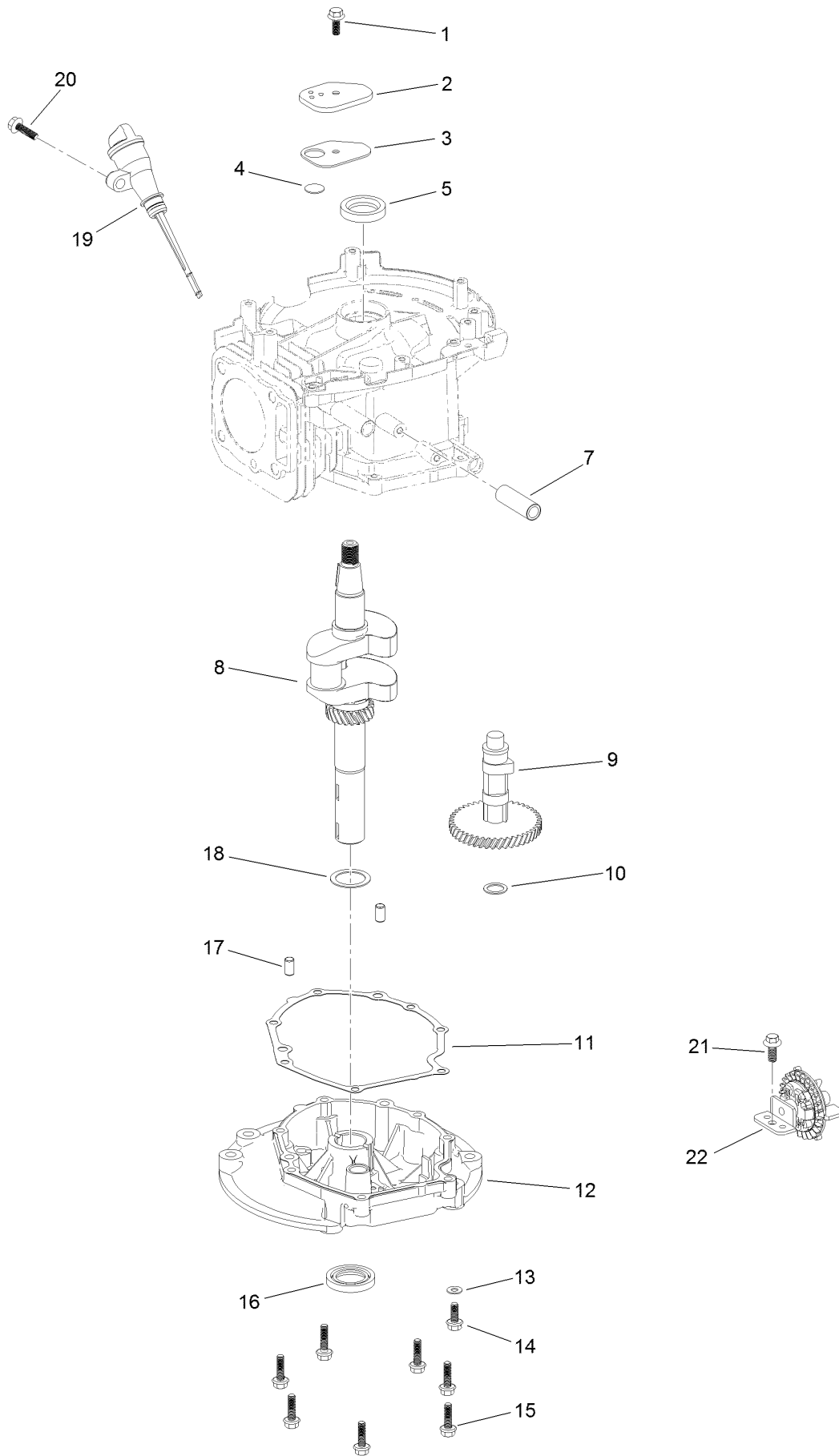
Ignition and Electrical Assembly



Ignition and Electrical Assembly (continued)

<i>Ref.</i>	<i>Part Number</i>	<i>Qty.</i>	<i>Description</i>	<i>Ref.</i>	<i>Part Number</i>	<i>Qty.</i>	<i>Description</i>
1	121-0047	1	Nut-Flange	5	133-9889	1	Brake ASM
2	133-9876	1	Flywheel	6	133-9890	1	Spring-Brake
3	121-0007	1	Bolt-Flange	7	121-4187	1	Ignition Coil ASM
4	120-4232	1	Screw-HHF	8	133-9881	1	Guard-Flywheel

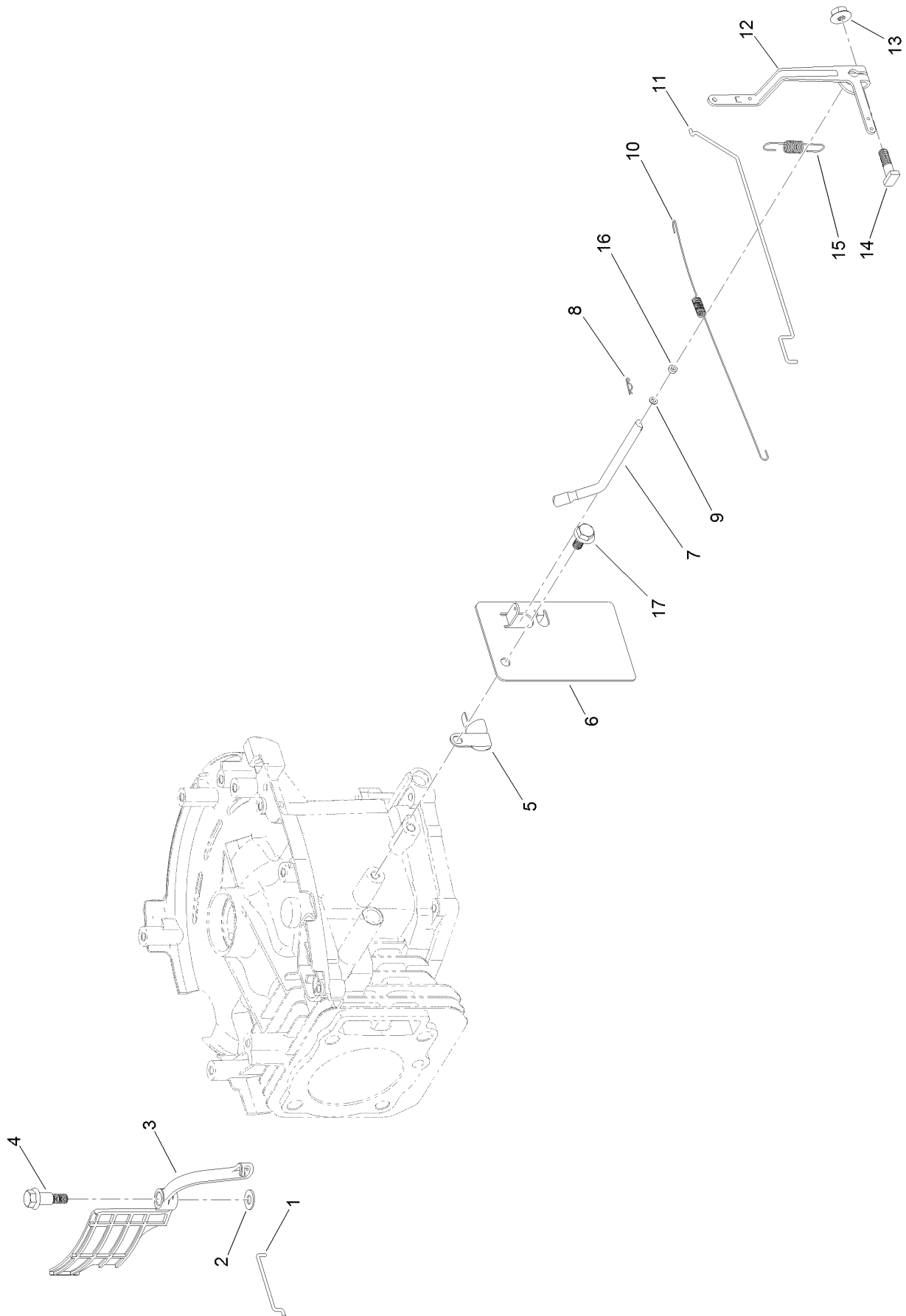
Crankcase Assembly



Crankcase Assembly (continued)

<i>Ref.</i>	<i>Part Number</i>	<i>Qty.</i>	<i>Description</i>	<i>Ref.</i>	<i>Part Number</i>	<i>Qty.</i>	<i>Description</i>
1	120-4216	1	Screw-HHF	13	121-0048	1	Washer-Plain
2	133-9882	1	Cover-Breather	14	121-0030	1	Screw-HHF
3	133-9883	1	Gasket-Cover, Breather	15	120-4223	7	Screw-HHF
4	133-9884	1	Valve-Breather	16	121-0022	1	Seal-Oil
5	121-0019	1	Seal-Oil	17	121-0054	2	Pin-Dowel
7	133-9911	1	Tube-Breather	18	121-0049	1	Washer-Flat
8	133-9894	1	Crankshaft ASM	19	133-9886	1	Dipstick And Fill Tube Kit
9	121-4174	1	Camshaft ASM	20	121-0007	1	Bolt-Flange
10	121-0051	1	Washer-Flat	21	121-0369	1	Screw-HWH, Thd Form
11	133-9895	1	Gasket-Cover, Case	22	133-9896	1	Governor Gear ASM
12	133-9897	1	Cover-Crankcase				

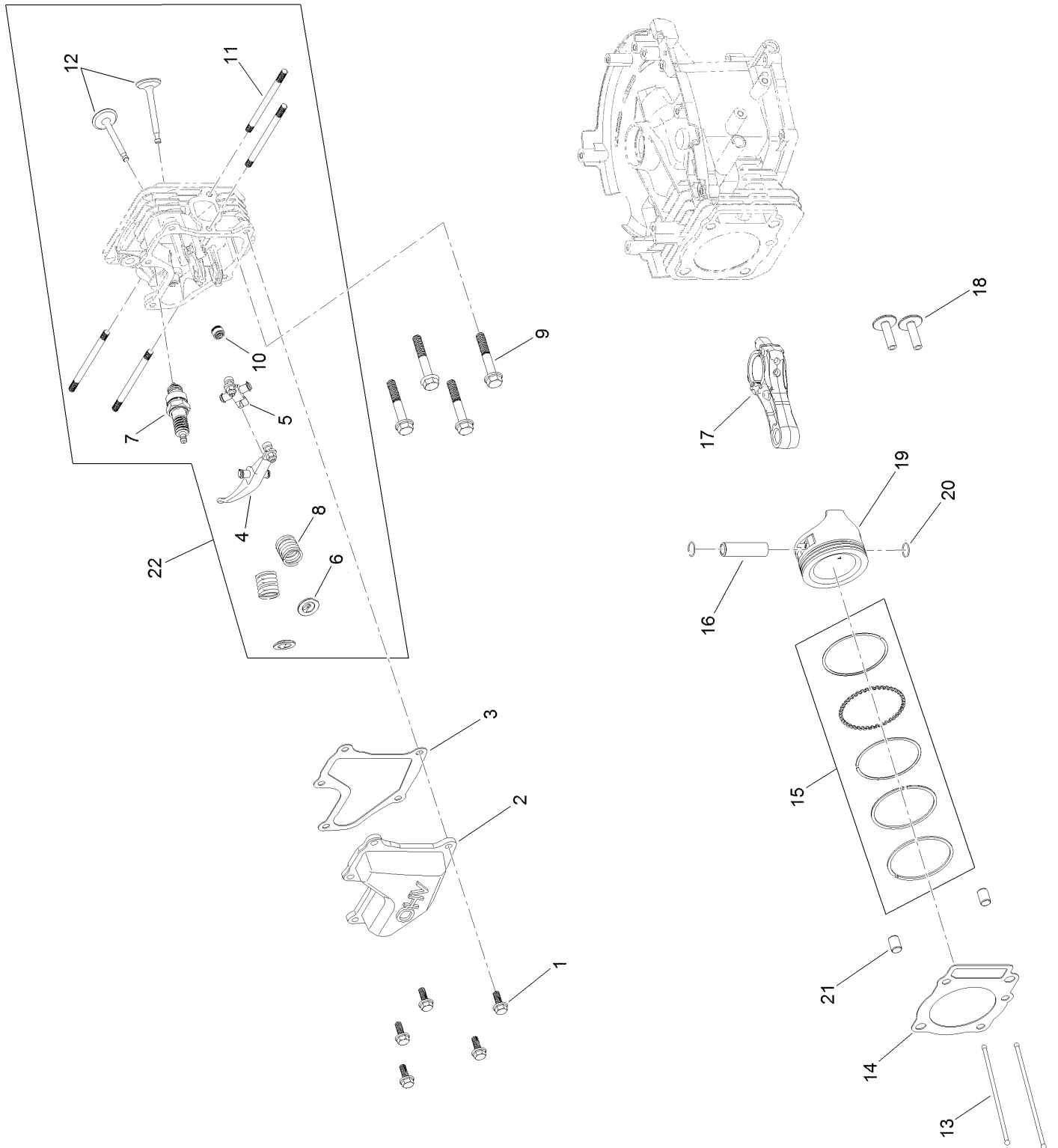
Governor Control Assembly



Governor Control Assembly (continued)

<i>Ref.</i>	<i>Part Number</i>	<i>Qty.</i>	<i>Description</i>	<i>Ref.</i>	<i>Part Number</i>	<i>Qty.</i>	<i>Description</i>
1	133-9880	1	Linkage-Choke	10	121-0023	1	Spring-Return, Throttle
2	121-0498	1	Washer-Plain	11	133-9892	1	Rod-Governor
3	133-9879	1	Air Vane-Autochoke	12	121-0028	1	Arm-Governor
4	127-9196	1	Screw-Shoulder, HWH	13	120-4236	1	Nut-Flange
5	121-0017	1	Clip-Harness, Wire	14	120-4238	1	Bolt-Arm, Governor
6	133-9891	1	Plate-Control, Throttle	15	133-9893	1	Spring-Governor
7	120-4458	1	Arm-Governor	16	121-0021	1	Seal-Oil
8	120-4256	1	Pin-Hair	17	120-4216	1	Screw-HHF
9	121-0050	1	Washer-Flat				

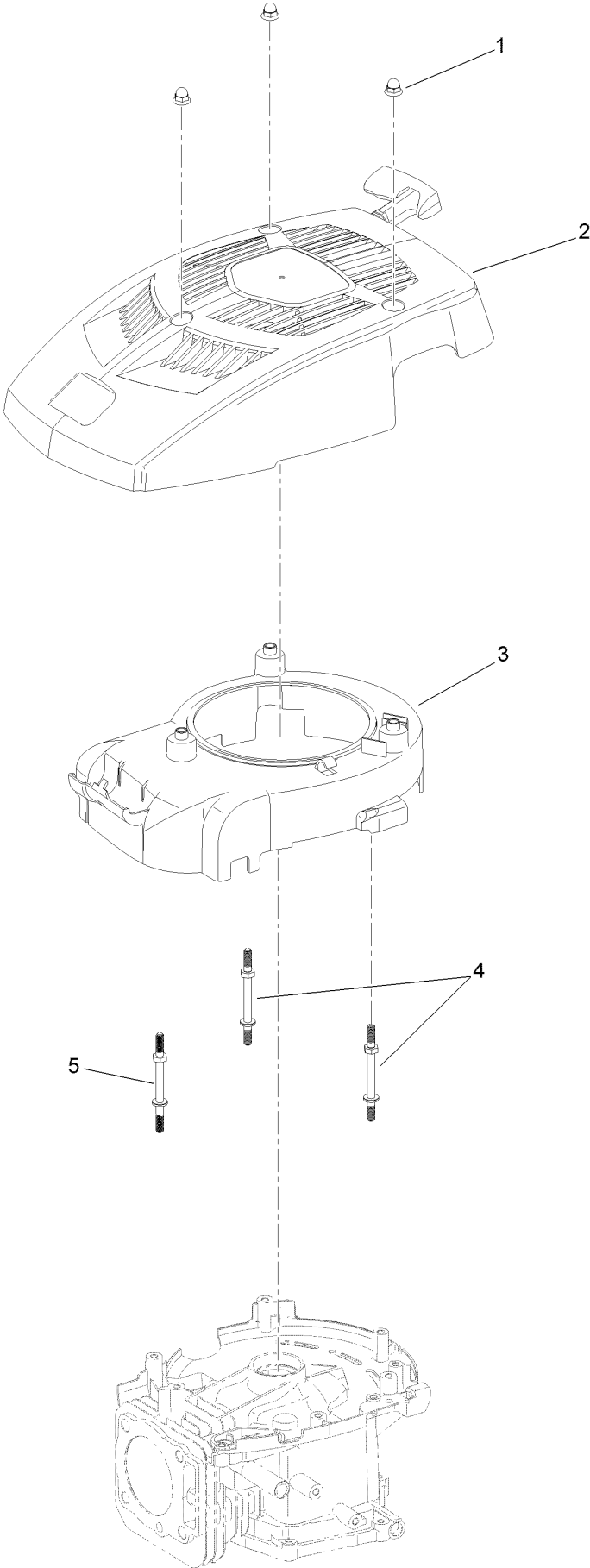
Piston and Cylinder Head Assembly



Piston and Cylinder Head Assembly (continued)

<i>Ref.</i>	<i>Part Number</i>	<i>Qty.</i>	<i>Description</i>	<i>Ref.</i>	<i>Part Number</i>	<i>Qty.</i>	<i>Description</i>
1	120-4232	5	Screw-HHF	12	121-4192	1	Valve Set
2	133-9905	1	Cover-Valve	13	121-4193	2	Rod-Push
3	133-9904	1	Gasket-Cover, Valve	14	133-9910	1	Gasket-Head
4	121-4196	1	Exhaust Rocker Arm ASM	15	121-4171	1	Piston Ring Set
5	121-4195	1	Intake Rocker Arm ASM	16	120-4467	1	Pin-Piston
6	120-4474	2	Retainer-Valve, Spring	17	120-4469	1	Connecting Rod ASM
7	121-0187	1	Spark Plug	18	120-4477	2	Tappet-Valve
8	120-4473	2	Spring-Valve	19	121-4173	1	Piston
9	121-0043	4	Bolt-Flange	20	121-0052	2	Clip-Pin, Wrist
10	121-4202	1	Seal-Stem, Valve	21	121-0053	2	Pin-Dowel
11	121-0045	4	Stud-Exhaust	22	133-9923	1	Cylinder Head ASM

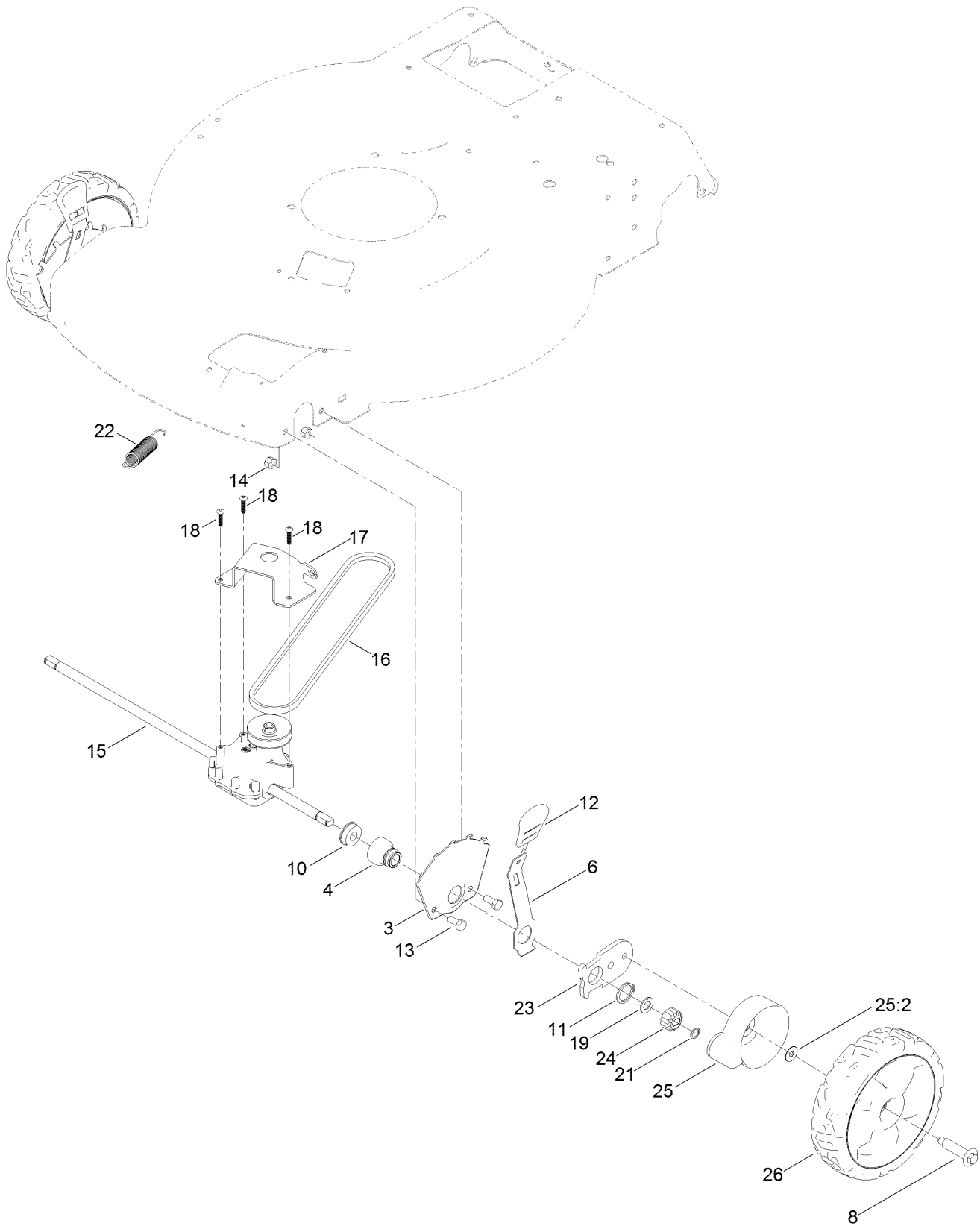
Blower Housing Assembly



Blower Housing Assembly (continued)

<i>Ref.</i>	<i>Part Number</i>	<i>Qty.</i>	<i>Description</i>	<i>Ref.</i>	<i>Part Number</i>	<i>Qty.</i>	<i>Description</i>
1	127-9115	3	Nut-Acorn	4	133-9877	2	Stud-Shroud
2	133-9857	1	Recoil Shroud ASM	5	133-9878	1	Stud-Shroud
3	133-9875	1	Shroud-Fan				

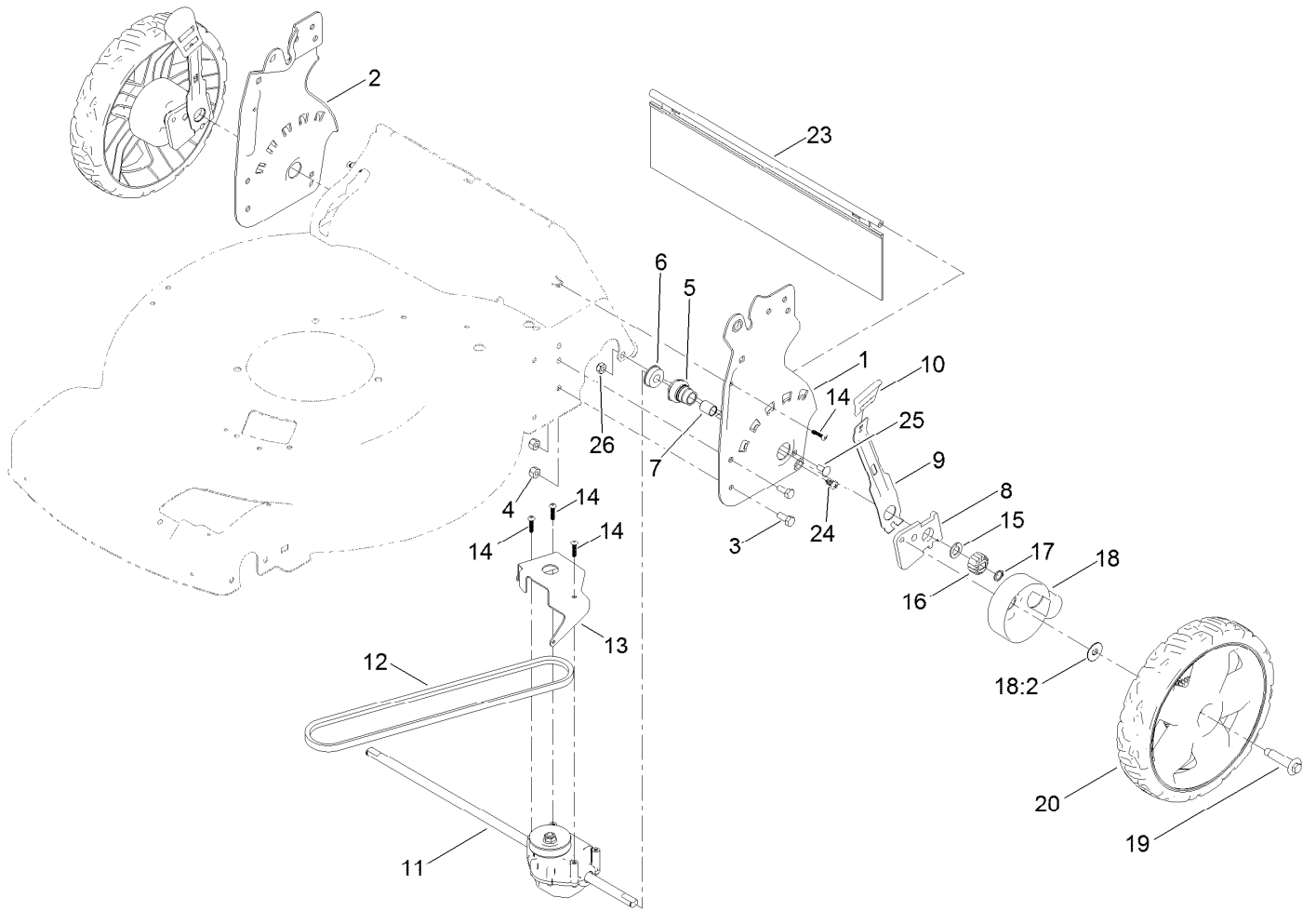
Front Wheel and Height-of-Cut Assembly



Front Wheel and Height-of-Cut Assembly (continued)

<i>Ref.</i>	<i>Part Number</i>	<i>Qty.</i>	<i>Description</i>	<i>Ref.</i>	<i>Part Number</i>	<i>Qty.</i>	<i>Description</i>
3	115-1956-03	2	Plate-HOC, Front	17	114-7978-03	1	Bracket-Transmission
4	131-0836	2	Retainer-Bearing, HOC	18	108-7476	3	Screw-Plastite
6	105-1809	2	Arm-Spring	19	110-7191	2	Washer-Thrust
8	614650	2	Bolt-Shoulder	21	32151-61	2	Ring-Retaining
10	104-8699	2	Bearing-Ball	22	136-7059	1	Spring Extension
11	32151-36	2	Ring-Retaining	23	136-5886	2	Arm-Pivot, Front
12	110-0549	2	Knob-HOC	24	131-5399	2	Gear-Pinion, 15T
13	322-3	4	Screw-HH	25	136-9057	2	Gear Cover ASM
14	3296-29	4	Nut-Lock, NI	25:2	614426	1	Washer-Stepped
15	121-9180	1	Transmission ASM	26	130-6714	2	8 Inch Wheel Gear ASM
16	71-9450	1	V-Belt				

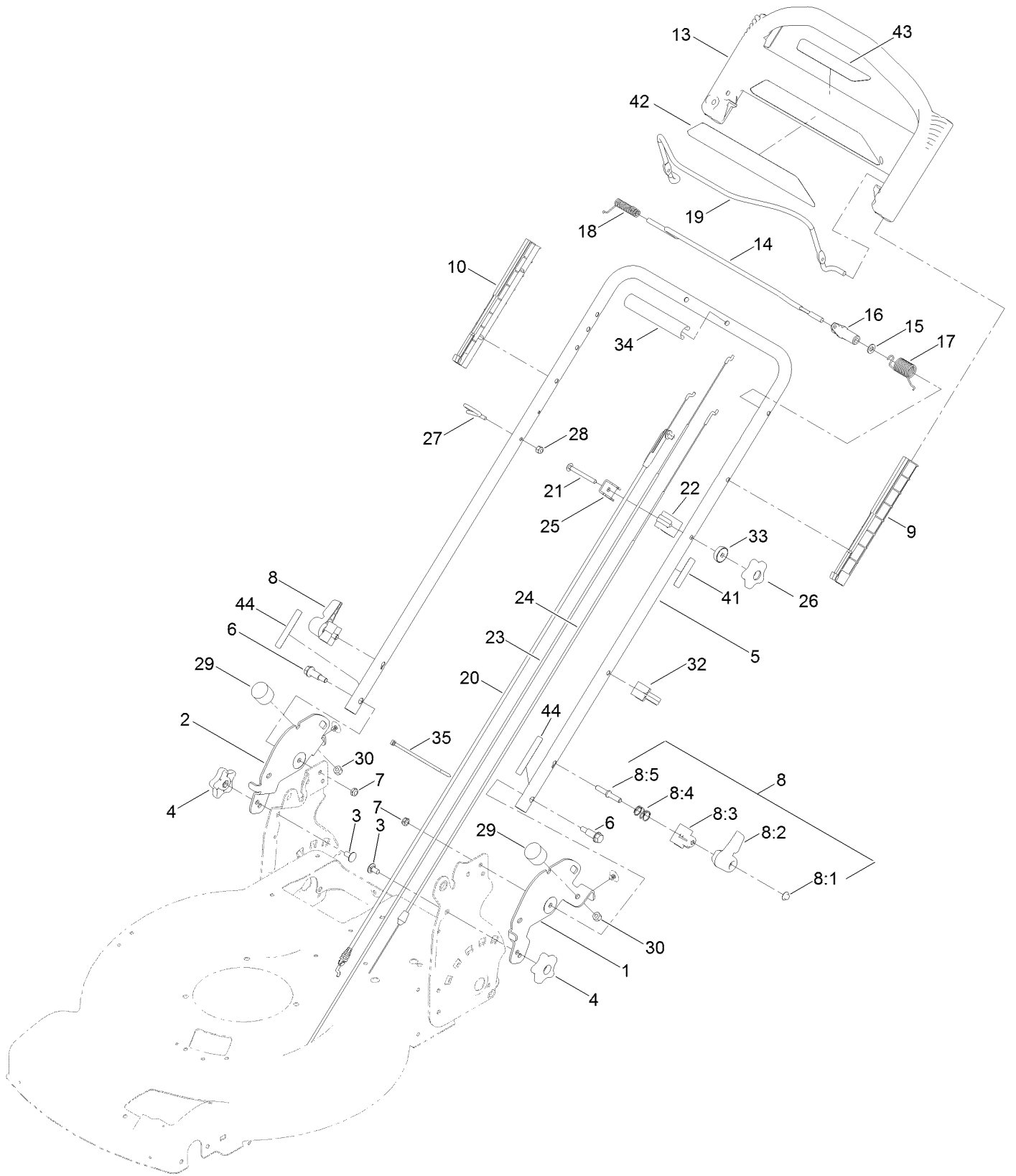
Rear Wheel and Height-of-Cut Assembly



Rear Wheel and Height-of-Cut Assembly (continued)

<i>Ref.</i>	<i>Part Number</i>	<i>Qty.</i>	<i>Description</i>	<i>Ref.</i>	<i>Part Number</i>	<i>Qty.</i>	<i>Description</i>
1	136-5887-03	1	Plate-HOC, Rwd (LH)	14	108-7476	5	Screw-Plastite
2	136-5888-03	1	Plate-HOC, Rwd (RH)	15	110-7191	2	Washer-Thrust
3	322-3	4	Screw-HH	16	131-5399	2	Gear-Pinion, 15T
4	3296-29	4	Nut-Lock, NI	17	32151-61	2	Ring-Retaining
5	108-9779	2	Retainer-Bushing, HOC	18	136-9057	2	Gear Cover ASM
6	104-8699	2	Bearing-Ball	18:2	614426	1	Washer-Stepped
7	108-9782	2	Bushing-Sleeve	19	614650	2	Bolt-Shoulder
8	132-4459	2	Arm-Pivot, Rear	20	136-5859	2	Wheel Gear ASM
9	132-4486	2	Arm-Spring	23	120-7012	1	Shield-Trailing
10	110-0549	2	Knob-HOC	24	117-1092	2	Screw-PTH
11	131-9696	1	Transmission	25	3229-11	2	Screw-CARR
12	91-2258	1	Belt-V	26	3296-16	2	Nut-Lock, NI
13	132-4481-01	1	Bracket-Transmission				

Handle Assembly



Handle Assembly (continued)

<i>Ref.</i>	<i>Part Number</i>	<i>Qty.</i>	<i>Description</i>	<i>Ref.</i>	<i>Part Number</i>	<i>Qty.</i>	<i>Description</i>
1	136-7079-03	1	Brkt-Float, LH	19	131-0880-03	1	Bail-Brake
2	136-7080-03	1	Brkt-Float, LH	20	130-2381	1	Cable-Brake
3	3230-18	2	Screw-CARR	21	3229-8	1	Screw-CARR
4	114-3779	2	Knob-Handle	22	130-6716	1	Mount-Cable, Traction
5	132-4471-05	1	Handle	23	136-5891	1	Cable-Traction, Front
6	130-2344	2	Bolt-Shoulder	24	136-5892	1	Cable-Traction, Rear
7	3296-47	2	Nut-Lock, NI	25	136-5922	1	Clamp-Cable
8		2	Quick Release ASM ●	26	131-0897	1	Knob-Handle, Locking
8:1	109-0917	1	Nut-Push	27	86-9671	1	Guide-Rope
8:2	114-7995	1	Lever	28	3296-73	1	Nut-Lock, NI
8:3	114-7996	1	Anchor-Spring	29	136-5889	2	Bumper-Rubber
8:4	115-2858	1	Spring-Compression	30	3296-29	2	Nut-Lock, NI
8:5	114-2675	1	Rod-Release	32	114-7988	1	Guide-Cable
9	136-5879	1	Guide, LH	33	136-9075	1	Washer-Curved
10	136-5880	1	Guide, RH	34	131-4551	1	Handle-Cover
13	136-5877	1	Handle-Pace, Personal	35	614249	1	Tie-Cable
14	99-1588	1	Bar-Control, Traction	41	136-9096	1	Decal-Adjustment
15	3256-23	1	Washer-Plain	42	136-5898	1	Decal-Powereverse
16	136-5878	1	Lever-Traction	43	136-5899	1	Decal-Drive Instruction
17	136-5883	1	Spring-Torsion	44	136-9130	2	Decal-Flexheight
18	121-9118	1	Spring-Torsion				

● Not serviced separately

Attachments and Accessories

For 20357 22in Recycler Lawn Mower

Product Name	Model/Part
Fuel Stabilizer .05 oz	130-2393
AWD Replacement Bag and Frame Kit	131-4556
Traction Assist Handle Kit.....	131-4590
Lawn Striping Kit with 22in Roller.....	20601
22 Inch Atomic Blade.....	59534P

Notes:



Count on it.