



**37" GRASS CATCHER**  
 37" Recycler® Deck

---

MODEL NO. 30130 - 490001 & UP

---

**INSTALLATION INSTRUCTIONS**

## LOOSE PARTS

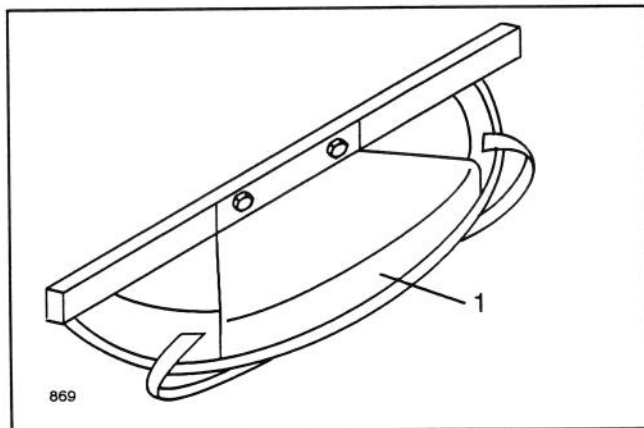
DESCRIPTION	QTY.	USE
Bracket	1	Mount to mower deck.
Capscrew 5/16-18 x 1 inch	2	Mount bracket to mower deck.
Washer 5/16	2	
Lockwasher 5/16	2	
Nut 5/16-18	2	
Hopper	1	Mount to bracket.
Door	1	Mount to hopper.

### INSTALL BRACKET ASSEMBLY

**DANGER**

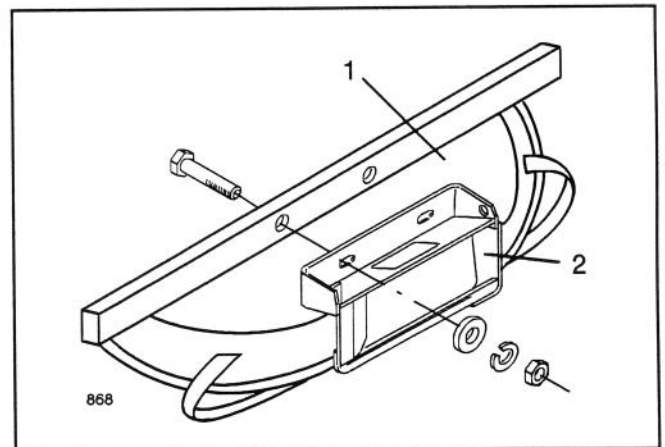
**Always install grass collector before starting the engine. When removing or installing collector SHUT ENGINE AND BLADES OFF.**

1. Remove (2) capscrews, lockwashers and wing nuts securing discharge cover to deck channel. Save hardware and remove discharge cover (Fig. 1).



**Figure 1**  
1. Discharge cover

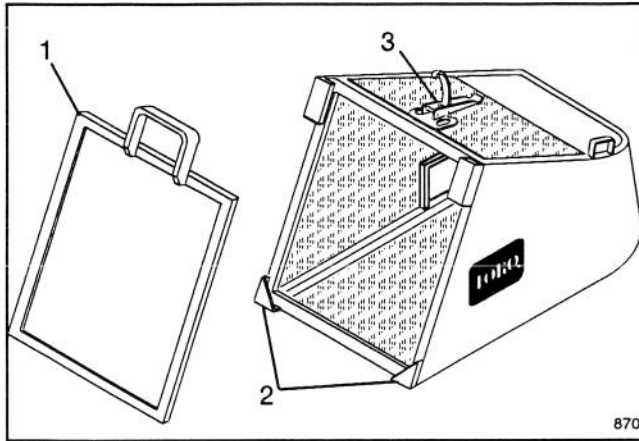
2. Install bracket assembly onto deck lip while aligning mounting holes in deck channel (Fig. 2). Secure with capscrews, washers, lockwashers and nuts.



**Figure 2**  
1. Mower deck  
2. Bracket

3. Holding hopper higher in the rear and at an angle to the bracket place rod, at front of hopper opening, into hole of bracket. Align hopper with bracket and hook rear rod into top of bracket. Allow hopper to rotate down and lock into position.

- Place door bottom into corners slots of hopper opening and secure with latch at top (Fig. 3).



**Figure 3**

- Door
- Slots
- Latch

## TO EMPTY HOPPER

- Shift transmission into NEUTRAL, apply parking brake (if so equipped), move deck engagement switch (PTO) to OFF or release control bail and shut OFF engine.
- Grasp hopper by handles and rotate top toward mower. Lift hopper at rear over rear mount and slide rearward to remove rod from front bracket hole.
- Unhook door latch and lift door from bottom slots.
- Empty hopper out rear opening.



## DANGER

Do not operate mower without the grass deflector, discharge chute cover or entire grass collector in place.



## DANGER

Always install grass collector before starting the engine. When removing or installing collector SHUT ENGINE AND BLADES OFF.

## BAGGING TIPS

- Cut grass when it is dry to avoid slippery footing and clogging mower housing or discharge area.



## DANGER

Never attempt to unclog bagger, deck or perform maintenance on machine while engine is running. Shut engine off, remove key from ignition switch and wire from spark plug. Make sure wire does not accidentally contact spark plug.

- Cut long grass with height-of-cut at highest setting, then cut again using lower setting.
- Empty the hopper often to reduce the possibility of clogging the mower housing and discharge area.
- Avoid bagging when mowing rough, uneven areas.
- If uneven cut is caused by tilting of the deck caused by extra weight of the catcher install a 3 x 1/2 inch clevis pin and hair pin in the left front deck support under the support from the existing clevis pin. Put the pin in the highest hole possible so the movement of the deck is restricted.