



Model No. 30124 - 000001
thru 490001 & UP

INSTALLATION INSTRUCTIONS

32" BAGGING KIT

ProLine Mid-Size Mower

MOUNT WHEEL GUARD / BAG SUPPORT

1. Remove capscrew and locknut securing top of R.H. bracket support and R.H. idler bracket to rear frame. Note position of spring and spacers for reassembly (Fig. 1).

2. Remove (2) capscrews and locknuts securing bottom of R.H. bracket support to rear frame (Fig. 1).

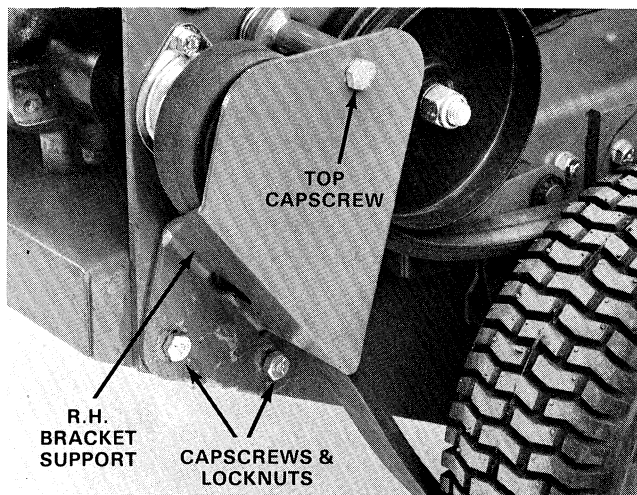


Figure 1

3. Remove the (2) front flange head capscrews and flange nuts securing right side of carrier frame to frame (Fig. 2).

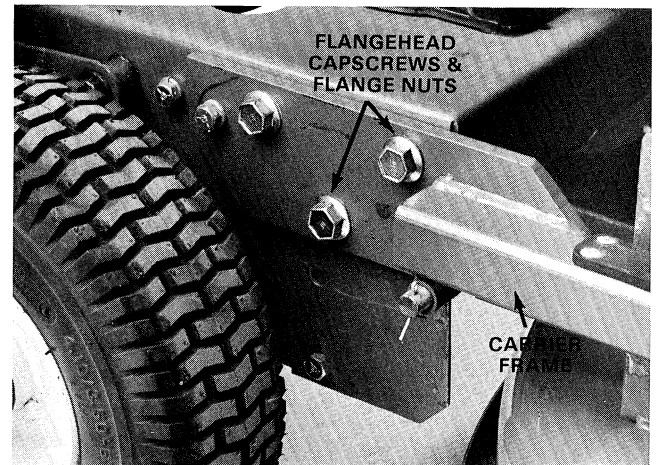


Figure 2

4. Loosely secure front of wheel guard / bag support to carrier frame and frame with (2) 1/2 - 13 x 1-1/4" lg. flange head capscrews (supplied in loose parts bag) and locknuts previously removed, as shown in fig. 3.

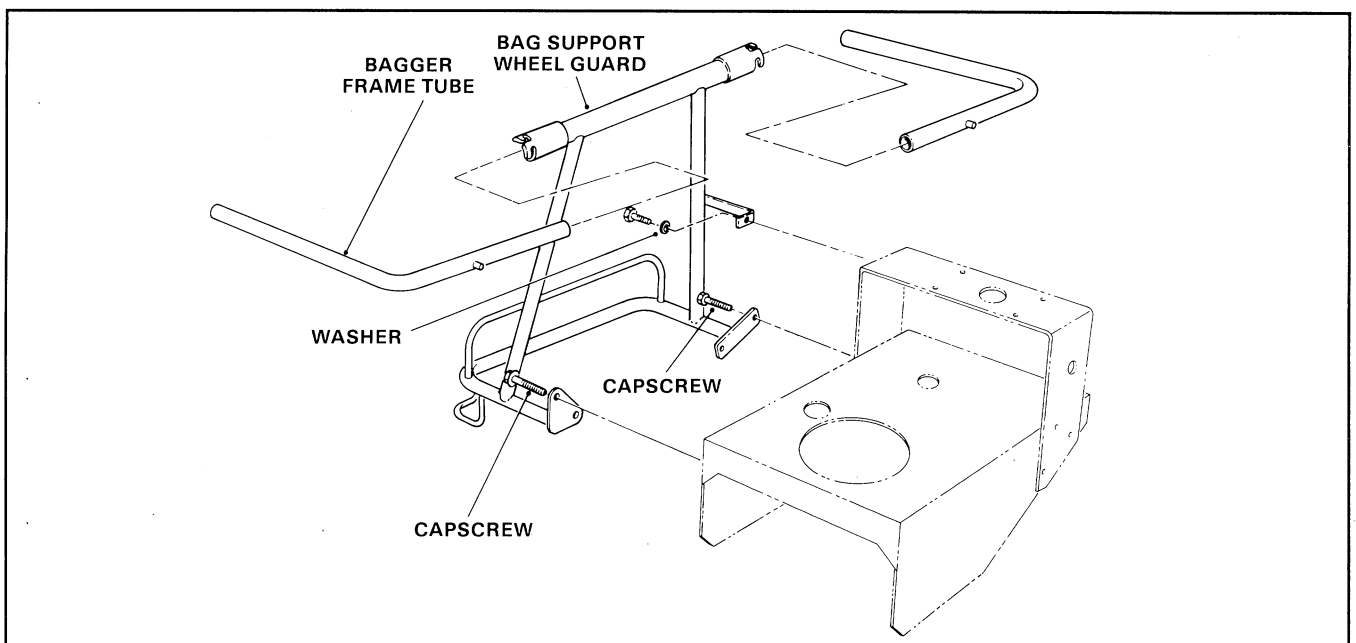


Figure 3

5. Loosely secure rear of wheel guard / bag support to bottom of R.H. bracket support and rear frame with (2) 3/8 - 16 x 1-1/4" lg. capscrews (supplied in loose

parts bag) and locknuts previously removed, as shown in fig. 3.

6. Using capscrew and previously removed and flat-washer (supplied in loose parts bag) secure wheel guard / bag support bracket, top of R.H. bracket support, idler bracket, spring and spacers to rear frame (Fig. 3). Make sure spring is hooked to frame and hole in idler bracket. Tighten all mounting screws and lock-nuts.

7. Insert a bagger frame tube into each end of bagger support and lock in slots (Fig.3).

8. Remove Recycler® cover: refer to mower manual.

INSTALL CHUTE & BAG ASSEMBLY

1. Slide chute assembly under deflector and into locking position with mating part of hinge lock. Insert locking pin (Fig. 4).

NOTE: Support bracket on chute assembly must hook behind pivot post on deck.

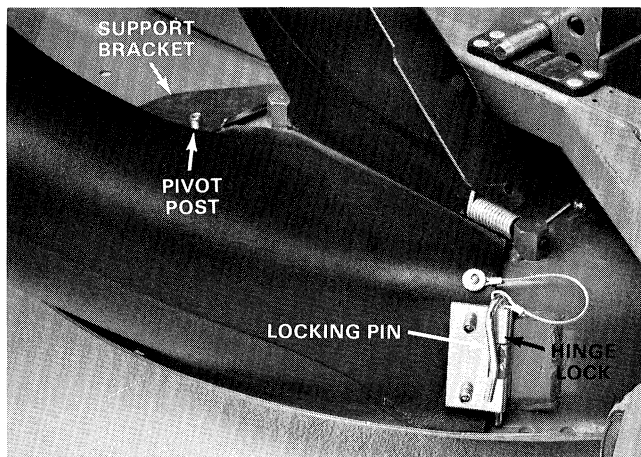


Figure 4

2. Slide bag seams onto bagger frame tubes so bag opening is positioned to front of mower (Fig. 5).

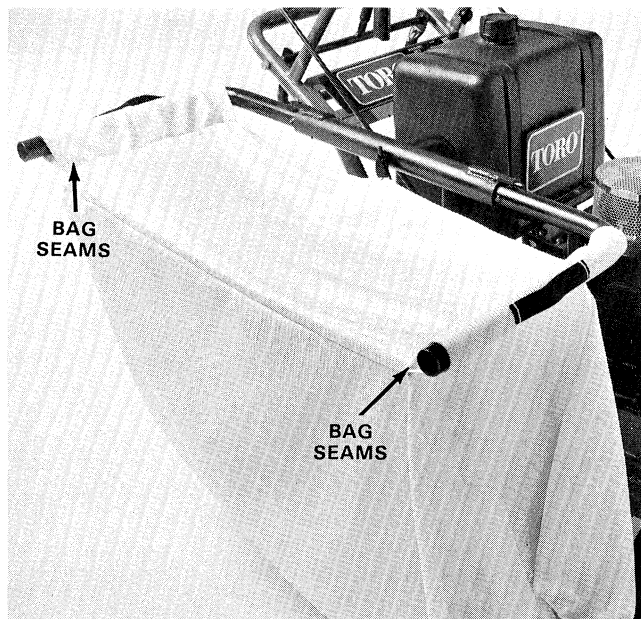


Figure 5

3. Place open end of bag over chute flange (Fig. 6). Draw up on string and secure with clip.



Figure 6

NOTE: When bagging is not required or when transporting machine, pivot and hook bagger frame tubes into the down position.

BAGGING TIPS



WARNING

Do not operate mower without the grass deflector, Recycler® cover or entire grass catcher in place

1. Always install bagging attachment before starting the engine. When removing or installing bag **SHUT ENGINE AND BLADES OFF.**



WARNING

The grass bag is made of material that will catch the majority of foreign objects, such as small stones that may be thrown into them. However, under normal usage, this material is subject to deterioration and wear; therefore check bag frequently. To avoid injury from thrown objects, replace worn bag.

2. Cut grass when it is dry to avoid slippery footing and clogging mower housing or discharge area.

3. Cut long grass with height-of-cut at highest setting, then cut again using lower setting.

4. Empty the bag often to reduce the possibility of clogging the mower housing and discharge area.

5. Avoid bagging when mowing rough, uncertain areas.