



Count on it.

Parts Catalog

**1800 Power Curve®
Snowthrower**

Model No. 38303—Serial No. 318000001 and Up



Ordering Replacement Parts

To order replacement parts, please supply the part number, the quantity, and the description of each part desired.

Understanding Reference Numbers

Each identified part in an illustration has a reference number. The reference number for a part also appears in the parts list, along with other information about the part.

This catalog uses two special reference number formats, one to indicate parts in a service assembly and another to indicate the quantity of a given part in an illustration.

Service Assembly Reference Numbers

Parts in service assemblies have reference numbers in the form a:b. The a represents the reference number of the entire service assembly and the b represents a sequential number unique to each part within the service assembly.

For example, a wheel assembly might be identified by reference number 6, the tire by 6:1, the valve by 6:2, and the wheel by 6:3. When you order the assembly identified by reference number 6, you receive all parts identified by reference numbers 6:1, 6:2, and 6:3. However, you may also order any part individually. Reference numbers of this type appear in illustration and in parts lists.

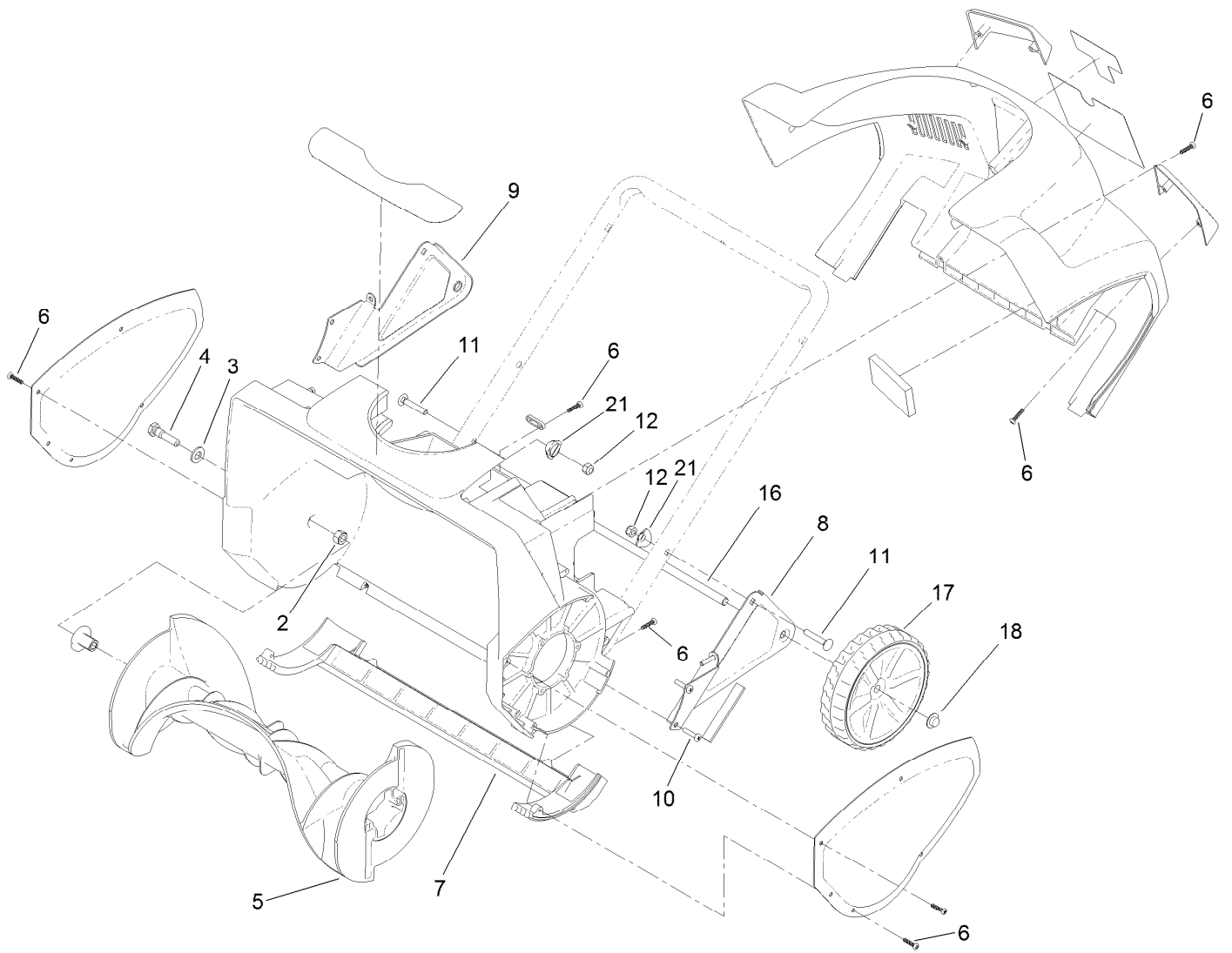
Reference Numbers Indicating Quantity

In an illustration, if a reference number indicates more than one part, the reference number has the form nX y. The n represents the quantity of the part, the X is the multiplication symbol, and the y represents the reference number.

For example, in an illustration, the reference number 2X 37 means that two of the parts identified by reference number 37 are indicated.

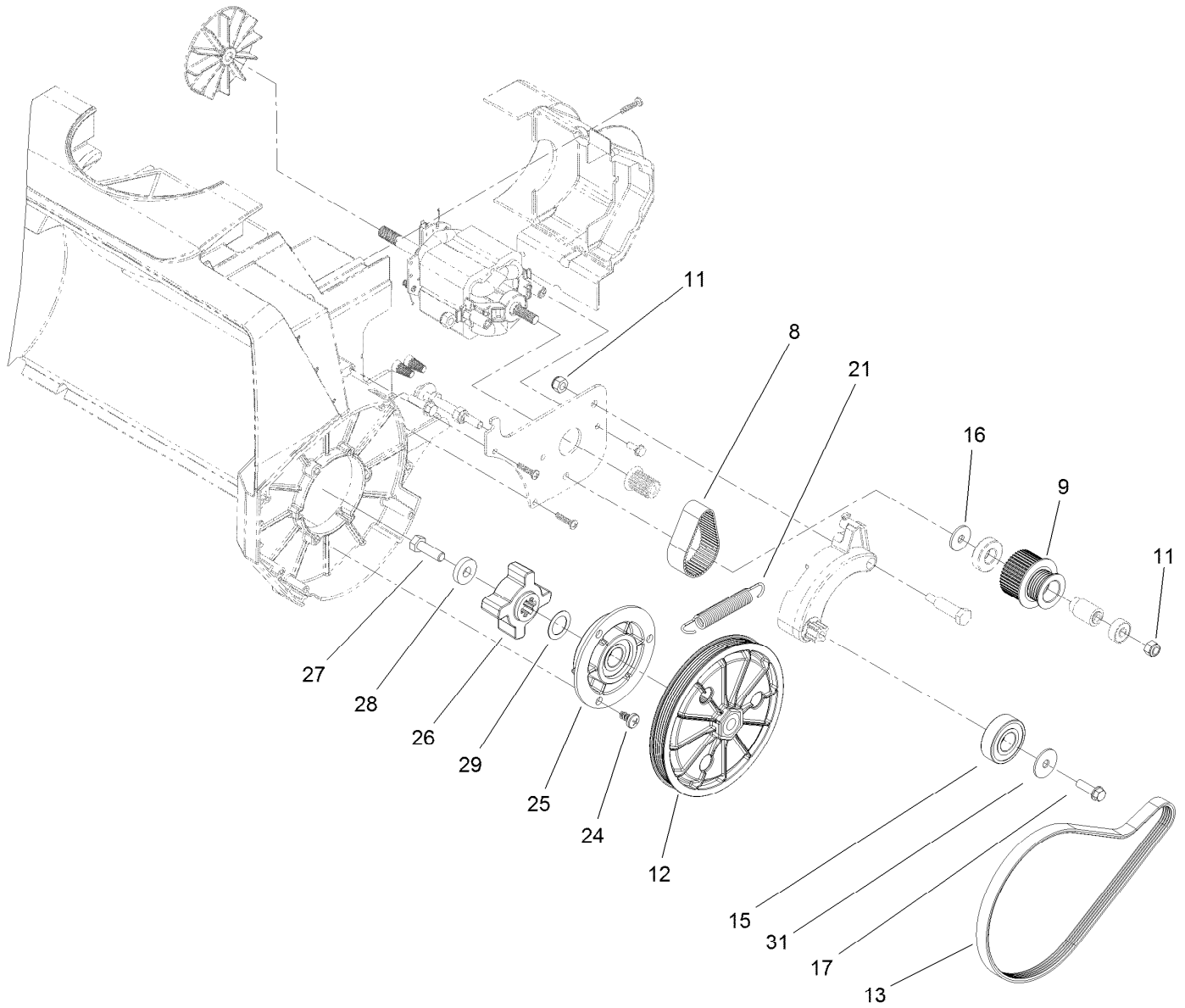
Contents

Frame Assembly..... 4
Idler and Pulley Assembly..... 5
Chute Assembly..... 6
Handle Assembly..... 7



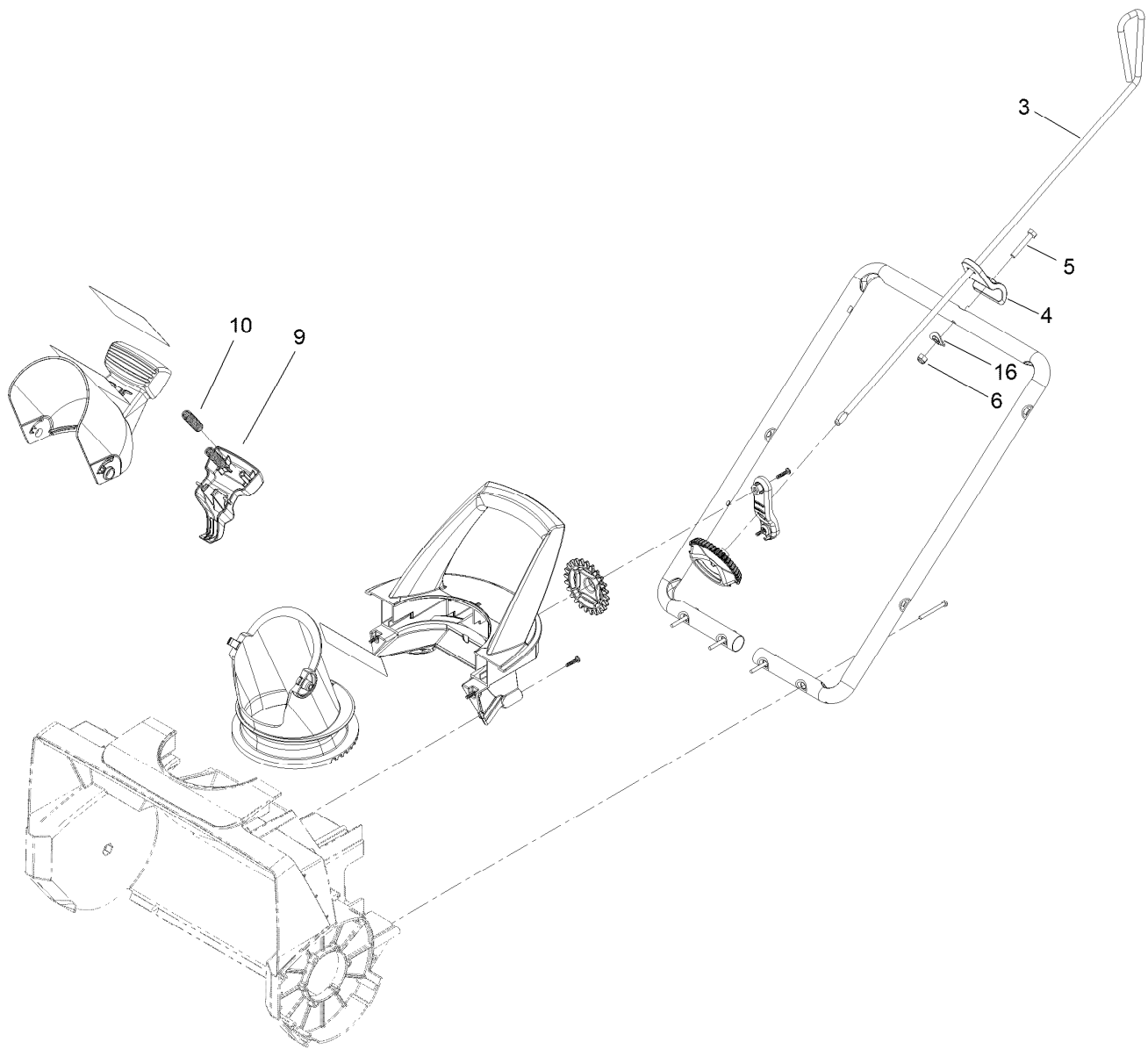
Frame Assembly

Ref.	Part Number	Qty.	Description
2	137-3118	1	Nut-Hex
3	115-1166	1	Washer-Flat
4	38-8211	1	Pin-Rotor
5	117-8775	1	Rotor ASM
6	94-4496	18	Screw-PPH
7	117-2840	1	Scraper
8	114-9194-03	1	Bracket-Wheel, LH
9	114-9195-03	1	Bracket-Wheel, RH
10	32144-36	6	Screw-PPH
11	137-3011	2	Bolt-CARR
12	137-3094	2	Nut-Hex
16	114-9208-03	1	Axle-Wheel
17	117-2306	2	Wheel ASM
18	3290-320	2	Nut-Push
21	137-3009	2	Washer-Cup



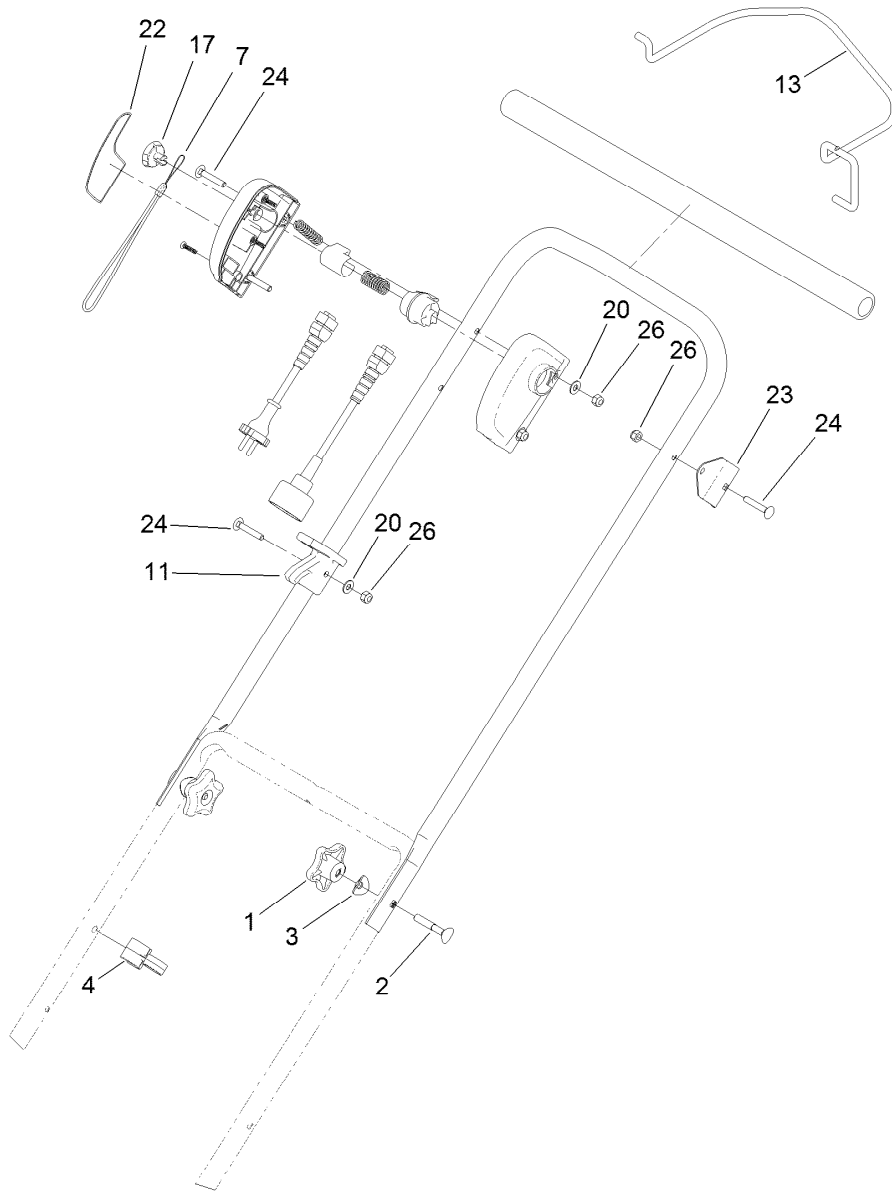
Idler and Pulley Assembly

<i>Ref.</i>	<i>Part Number</i>	<i>Qty.</i>	<i>Description</i>	<i>Ref.</i>	<i>Part Number</i>	<i>Qty.</i>	<i>Description</i>
8	73-0160	1	Belt-Pulley, Idler/Driver	21	117-2804	1	Spring-Idler
9	117-8770	1	Idler Pulley ASM	24	105-6968	3	Screw-Seat, Switch
11	137-3094	2	Nut-Hex	25	117-2887	1	Pillow Block ASM
12	117-8763	1	Pulley ASM	26	117-8762	1	Coupler-Pulley
13	115-1192	1	Belt-Drive	27	117-2888	1	Screw-HH
15	38-7820	1	Bearing-Ball	28	27-9560	1	Spacer
16	137-3106	1	Washer-Plain	29	137-3120	1	Washer-Plain
17	137-3099	1	Screw-Plastite, HWH	31	114-9049	1	Washer-Flat



Chute Assembly

Ref.	Part Number	Qty.	Description
3	114-9240-03	1	Rod-Control, Chute
4	114-9241	1	Guide-Rod, Chute
5	137-3094	1	Nut-Hex
6	137-3116	1	Screw-HH TAP
9	117-2314	1	Trigger-Deflector
10	136-7136	2	Spring-Compression
16	137-3009	1	Washer-Cup



Handle Assembly

Ref.	Part Number	Qty.	Description
1	117-5976	2	Knob-Handle
2	137-3107	2	Screw-Handle
3	137-3009	2	Washer-Cup
4	114-7988	1	Guide-Cable
7	117-2878	1	Cord-Key
11	125-0504	1	Lock-Cord
13	119-9842-03	1	Bail
17	119-9835	1	Key-Bail
20	137-3072	3	Washer-Plain
22	119-9841	1	Decal-Operation
23	119-9848-03	1	Bracket-Bail
24	137-3011	4	Bolt-CARR
26	137-3094	4	Nut-Hex



Count on it.