



Count on it.

Parts Catalog

**GrandStand® Multi Force
Snow Machine**

Model No. 74527—Serial No. 40000000 and Up



Ordering Replacement Parts

To order replacement parts, please supply the part number, the quantity, and the description of each part desired.

Understanding Reference Numbers

Each identified part in an illustration has a reference number. The reference number for a part also appears in the parts list, along with other information about the part.

This catalog uses two special reference number formats, one to indicate parts in a service assembly and another to indicate the quantity of a given part in an illustration.

Service Assembly Reference Numbers

Parts in service assemblies have reference numbers in the form a:b. The a represents the reference number of the entire service assembly and the b represents a sequential number unique to each part within the service assembly.

For example, a wheel assembly might be identified by reference number 6, the tire by 6:1, the valve by 6:2, and the wheel by 6:3. When you order the assembly identified by reference number 6, you receive all parts identified by reference numbers 6:1, 6:2, and 6:3. However, you may also order any part individually. Reference numbers of this type appear in illustration and in parts lists.

Reference Numbers Indicating Quantity

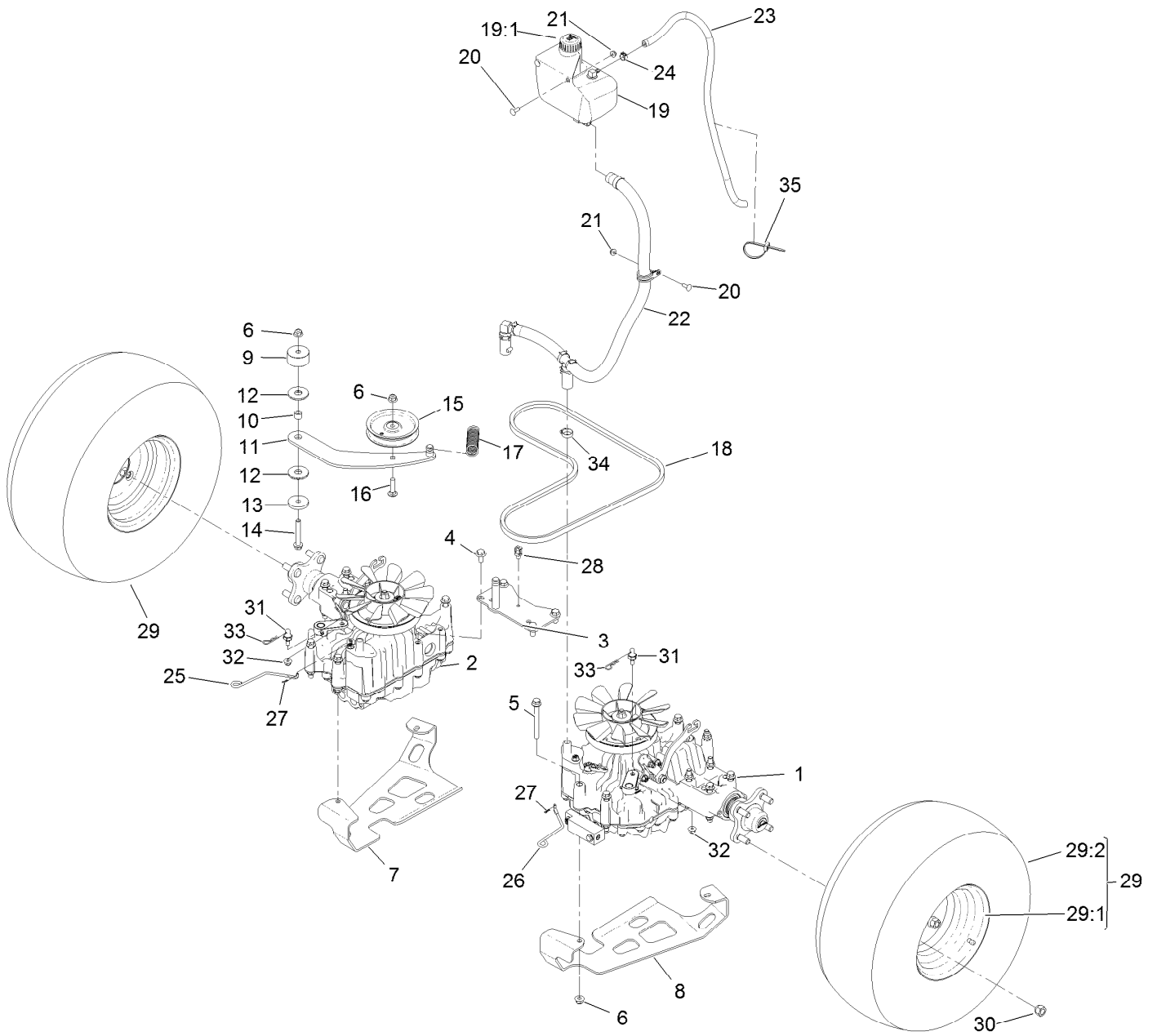
In an illustration, if a reference number indicates more than one part, the reference number has the form nX y. The n represents the quantity of the part, the X is the multiplication symbol, and the y represents the reference number.

For example, in an illustration, the reference number 2X 37 means that two of the parts identified by reference number 37 are indicated.

Contents

| | |
|---|----|
| Ground Drive Assembly | 4 |
| RH Transaxle Assembly No. 136-4102 | 6 |
| LH Transaxle Assembly No. 136-4103 | 8 |
| Motion Control Assembly | 10 |
| Control Handle Assembly No. 132-5157 | 12 |
| Control Handle Assembly No. 132-5158 | 14 |
| Parking Brake Assembly | 16 |
| Frame Assembly | 18 |
| Wheel, Tire and Bearing Assembly No. 130-4558 | 20 |
| Platform Assembly | 22 |
| Engine Assembly | 24 |
| Fuel Tank Assembly | 26 |
| Wire Harness Assembly | 28 |

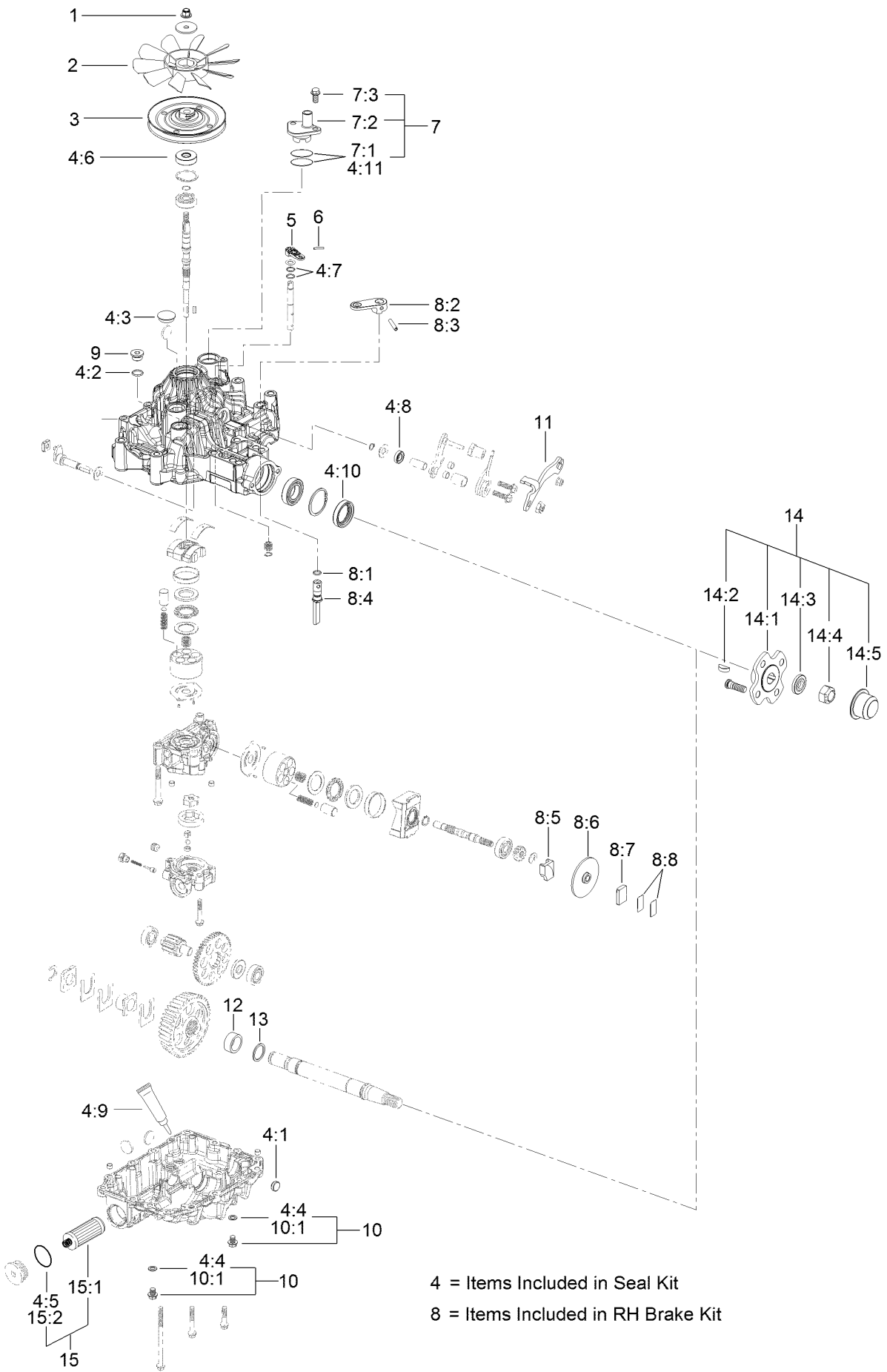
Ground Drive Assembly



Ground Drive Assembly (continued)

| <i>Ref.</i> | <i>Part Number</i> | <i>Qty.</i> | <i>Description</i> | <i>Ref.</i> | <i>Part Number</i> | <i>Qty.</i> | <i>Description</i> |
|-------------|--------------------|-------------|----------------------------------|-------------|--------------------|-------------|--------------------|
| 1 | 136-4103 | 1 | LH Transmission ASM | 19 | 132-1135 | 1 | Tank-HYD |
| 2 | 136-4102 | 1 | RH Transmission ASM | 19:1 | 133-8677 | 1 | Cap-Vented |
| 3 | 131-1131-03 | 1 | Support-Transaxle | 20 | 3229-25 | 3 | Screw-CARR |
| 4 | 93-2569 | 4 | Screw-HHF | 21 | 104-7201 | 3 | Nut-HF |
| 5 | 116-4701 | 16 | Screw-HHF | 22 | 131-7427 | 1 | HYD Hose ASM |
| 6 | 104-8301 | 18 | Nut-HF, NI | 23 | 109-0309 | 1 | Hose-Fuel |
| 7 | 131-7405-03 | 1 | Plate-Skid, Transmission (RH) | 24 | 92-2379 | 1 | Clamp-Hose |
| 8 | 131-7404-03 | 1 | Plate-Skid, Transmission (LH) | 25 | 131-7469 | 1 | Rod-Bypass, RH |
| 9 | 117-5351 | 1 | Spacer | 26 | 131-7470 | 1 | Rod-Bypass, LH |
| 10 | 1-413088 | 1 | Bushing-Lever, Lift | 27 | 108-2992 | 2 | Pin-Hair |
| 11 | 131-1175 | 1 | Arm-Idler | 28 | 32180-030 | 1 | Clip-Tie |
| 12 | 114-0463 | 2 | Washer-Friction, Composite | 29 | 133-4603 | 2 | Snow Tire ASM |
| 13 | 110-9981 | 1 | Washer-Plain | 29:1 | 132-4721 | 1 | Tire |
| 14 | 3234-39 | 1 | Screw-HHF | 29:2 | 132-4722 | 1 | Rim |
| 15 | 93-1622 | 1 | Pulley-Idler | 30 | 242-50 | 8 | Nut-Lug |
| 16 | 3231-4 | 1 | Screw-CARR | 31 | 132-7584 | 2 | Spacer-Hex |
| 17 | 132-1184 | 1 | Spring-Extension | 32 | 104-8300 | 2 | Nut-HF, NI |
| 18 | 131-1124 | 1 | Belt-V | 33 | 3290-250 | 2 | Pin-Cotter |
| | | | | 34 | 2412-141 | 2 | Clamp-Drive, Worm |
| | | | | 35 | 3290-378 | 1 | Tie-Cable |

RH Transaxle Assembly No. 136-4102

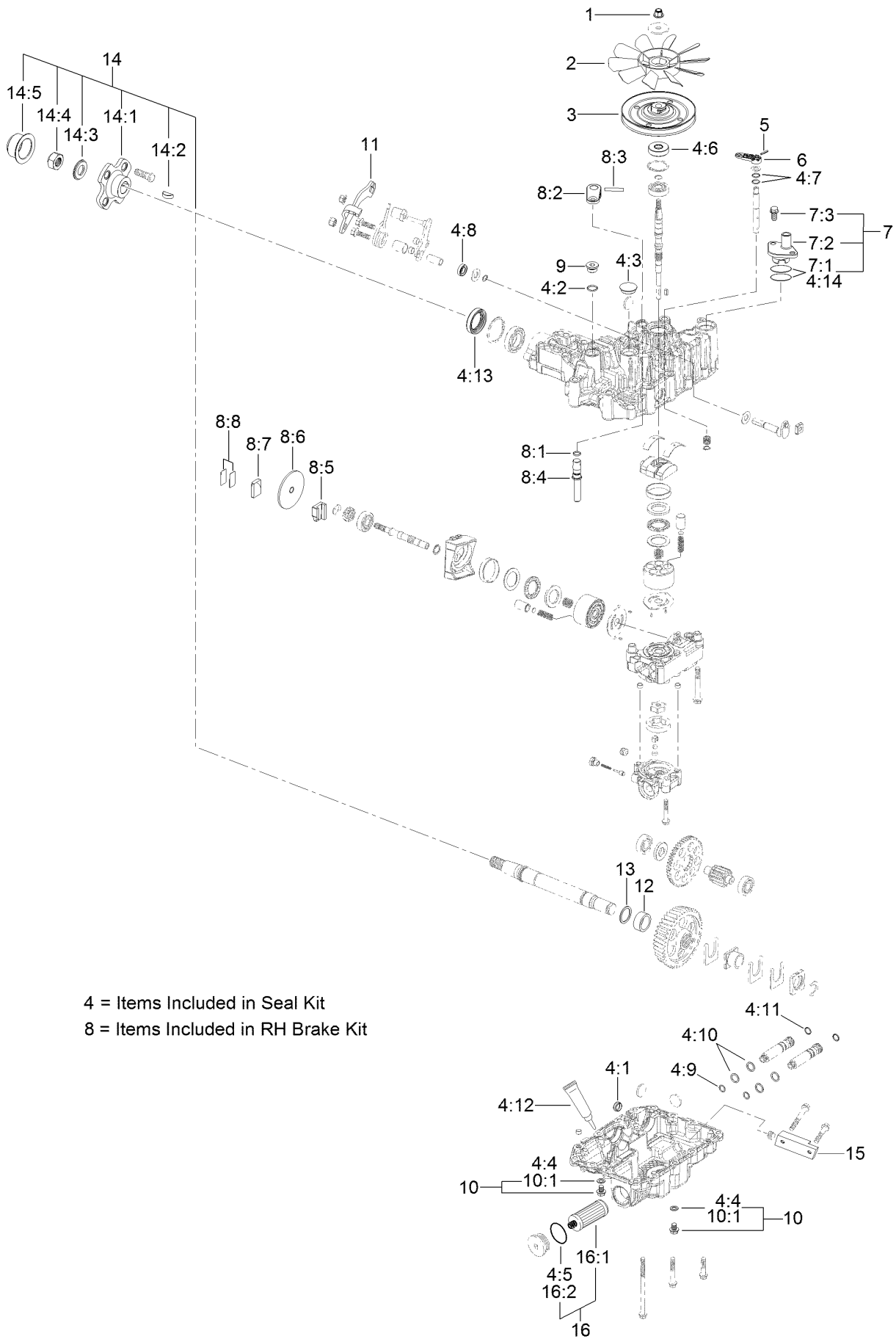


RH Transaxle Assembly No. 136-4102 (continued)

| <i>Ref.</i> | <i>Part Number</i> | <i>Qty.</i> | <i>Description</i> | <i>Ref.</i> | <i>Part Number</i> | <i>Qty.</i> | <i>Description</i> |
|-------------|--------------------|-------------|-------------------------|-------------|--------------------|-------------|--------------------|
| 1 | 132-4737 | 1 | Nut-Lock | 8:2 | | 1 | Arm-Brake ● |
| 2 | 132-4738 | 1 | Fan | 8:3 | | 1 | Pin-Roll ● |
| 3 | 132-4739 | 1 | Pulley | 8:4 | | 1 | Shaft-Brake ● |
| 4 | 136-5402 | 1 | Seal Kit | 8:5 | | 1 | Actuator-Brake ● |
| 4:1 | 100-6926 | 1 | Cap-Sealing | 8:6 | | 1 | Disc-Brake ● |
| 4:2 | 132-4736 | 1 | O-Ring | 8:7 | | 1 | Shoe-Brake ● |
| 4:3 | | 1 | Cap-Seal ● | 8:8 | | 1 | Shim Kit ● |
| 4:4 | | 2 | Seal-Washer ● | 9 | 132-4735 | 1 | Cap-Oil |
| 4:5 | | 1 | Packing ● | 10 | 132-4746 | 1 | Drain Bolt Kit |
| 4:6 | 132-4744 | 1 | Seal-Shaft | 10:1 | | 1 | Seal-Washer ● |
| 4:7 | | 2 | O-Ring ● | 11 | 136-5401 | 1 | Lever-Control, RH |
| 4:8 | | 1 | Seal-Oil ● | 12 | 132-4747 | 1 | Sleeve |
| 4:9 | 121-0959 | 1 | Sealant | 13 | 132-4748 | 1 | Washer |
| 4:10 | 132-4745 | 1 | Seal-Axle | 14 | 136-5406 | 1 | Axle Flange Kit |
| 4:11 | | 1 | Packing ● | 14:1 | | 1 | Flange ● |
| 5 | 104-3265 | 1 | Pin | 14:2 | | 1 | Key-Woodruff ● |
| 6 | 132-4700 | 1 | Lever-Bypass | 14:3 | | 1 | Washer ● |
| 7 | 133-1461 | 1 | Expansion Fitting Kit | 14:4 | | 1 | Nut-Lock ● |
| 7:1 | 136-4051 | 2 | Seal-Fitting, Expansion | 14:5 | | 1 | Nut-Cap ● |
| 7:2 | | 1 | Fitting ● | 15 | 132-4743 | 1 | Hydro Filter Kit |
| 7:3 | | 1 | Bolt-Flange ● | 15:1 | 136-5409 | 2 | Filter |
| 8 | 133-1462 | 1 | RH Brake Kit | 15:2 | 136-5410 | 2 | O-Ring |
| 8:1 | | 1 | O-Ring ● | | | | |

● Not serviced separately

LH Transaxle Assembly No. 136-4103

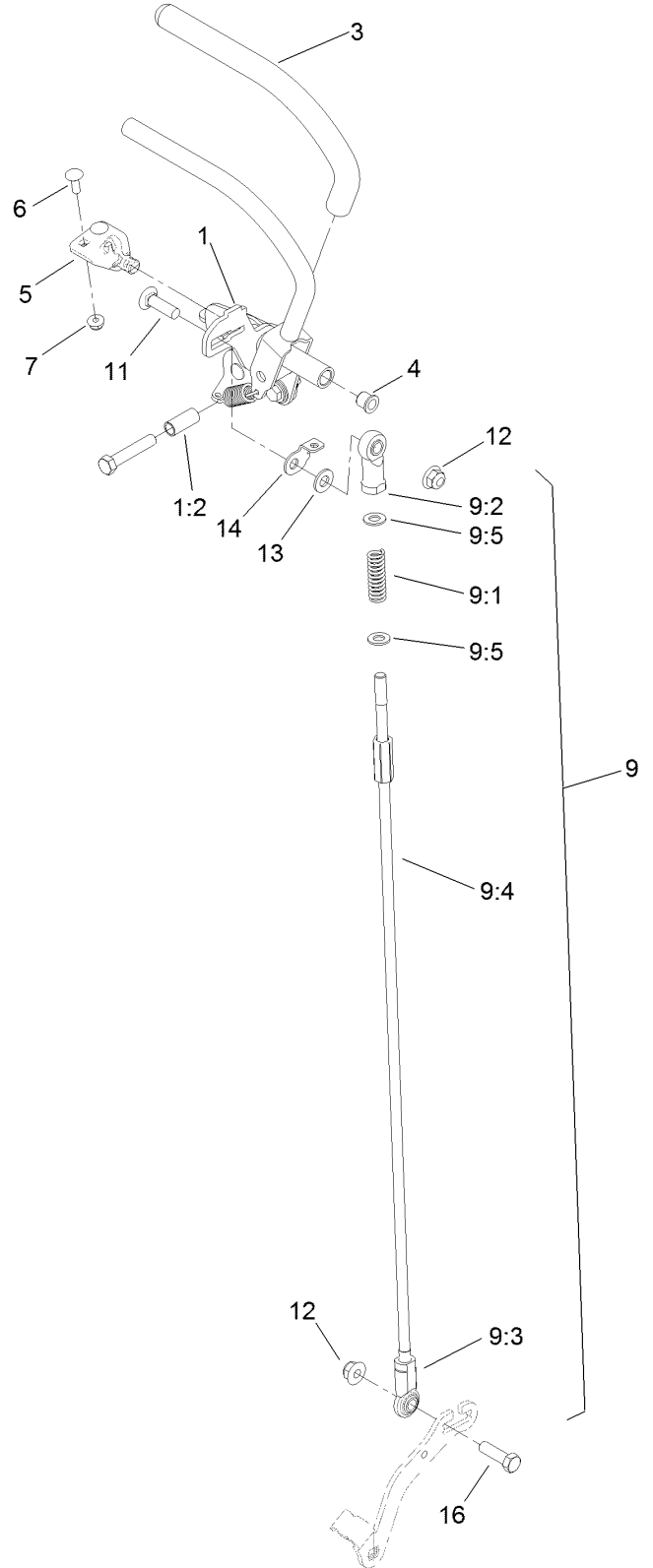
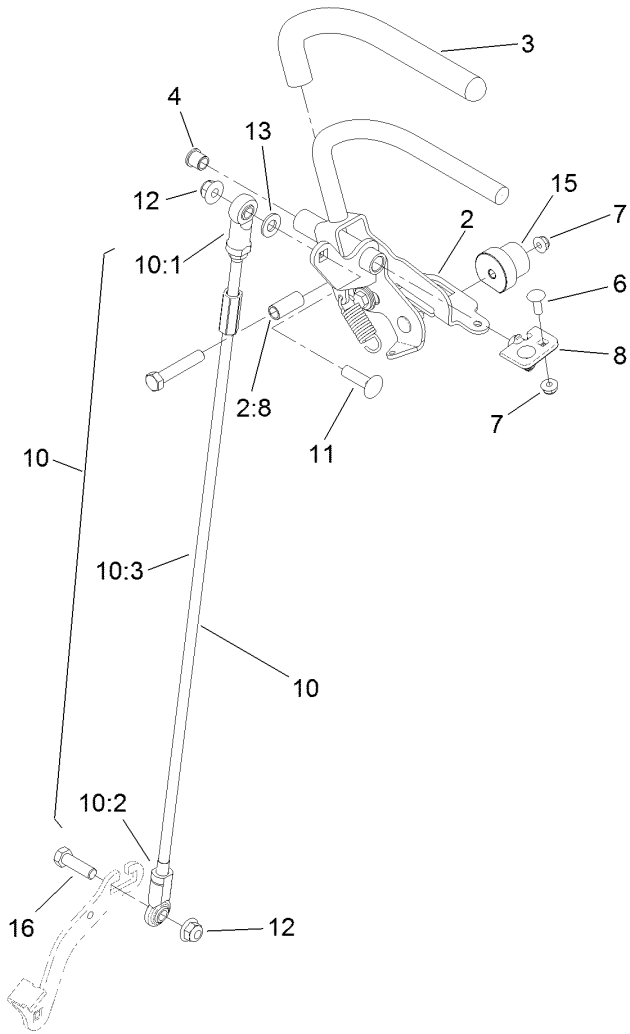


LH Transaxle Assembly No. 136-4103 (continued)

| <i>Ref.</i> | <i>Part Number</i> | <i>Qty.</i> | <i>Description</i> | <i>Ref.</i> | <i>Part Number</i> | <i>Qty.</i> | <i>Description</i> |
|-------------|--------------------|-------------|-------------------------|-------------|--------------------|-------------|--------------------|
| 1 | 132-4737 | 1 | Nut-Lock | 8:1 | | 1 | O-Ring ● |
| 2 | 132-4738 | 1 | Fan | 8:2 | | 1 | Arm-Brake ● |
| 3 | 132-4739 | 1 | Pulley | 8:3 | | 1 | Pin-Roll ● |
| 4 | 136-5407 | 1 | Seal Kit | 8:4 | | 1 | Shaft-Brake ● |
| 4:1 | 100-6926 | 1 | Cap-Sealing | 8:5 | | 1 | Actuator-Brake ● |
| 4:2 | 132-4736 | 1 | O-Ring | 8:6 | | 1 | Disc-Brake ● |
| 4:3 | | 1 | Cap-Seal ● | 8:7 | | 1 | Shoe-Brake ● |
| 4:4 | | 2 | Seal-Washer ● | 8:8 | | 1 | Shim Kit ● |
| 4:5 | | 1 | Packing ● | 9 | 132-4735 | 1 | Cap-Oil |
| 4:6 | 132-4744 | 1 | Seal-Shaft | 10 | 132-4746 | 1 | Drain Bolt Kit |
| 4:7 | | 2 | O-Ring ● | 10:1 | | 1 | Seal-Washer ● |
| 4:8 | | 1 | Seal-Oil ● | 11 | 136-5401 | 1 | Lever-Control, RH |
| 4:9 | | 2 | O-Ring ● | 12 | 132-4747 | 1 | Sleeve |
| 4:10 | | 4 | O-Ring ● | 13 | 132-4748 | 1 | Washer |
| 4:11 | | 2 | O-Ring ● | 14 | 136-5406 | 1 | Axle Flange Kit |
| 4:12 | 121-0959 | 1 | Sealant | 14:1 | | 1 | Flange ● |
| 4:13 | 132-4745 | 1 | Seal-Axle | 14:2 | | 1 | Key-Woodruff ● |
| 4:14 | | 1 | Packing ● | 14:3 | | 1 | Washer ● |
| 5 | 104-3265 | 1 | Pin | 14:4 | | 1 | Nut-Lock ● |
| 6 | 132-4700 | 1 | Lever-Bypass | 14:5 | | 1 | Nut-Cap ● |
| 7 | 133-1461 | 1 | Expansion Fitting Kit | 15 | 136-5408 | 1 | Manifold |
| 7:1 | 136-4051 | 2 | Seal-Fitting, Expansion | 16 | 132-4743 | 1 | Hydro Filter Kit |
| 7:2 | | 1 | Fitting ● | 16:1 | 136-5409 | 2 | Filter |
| 7:3 | | 1 | Bolt-Flange ● | 16:2 | 136-5410 | 2 | O-Ring |
| 8 | 133-1462 | 1 | RH Brake Kit | | | | |

● Not serviced separately

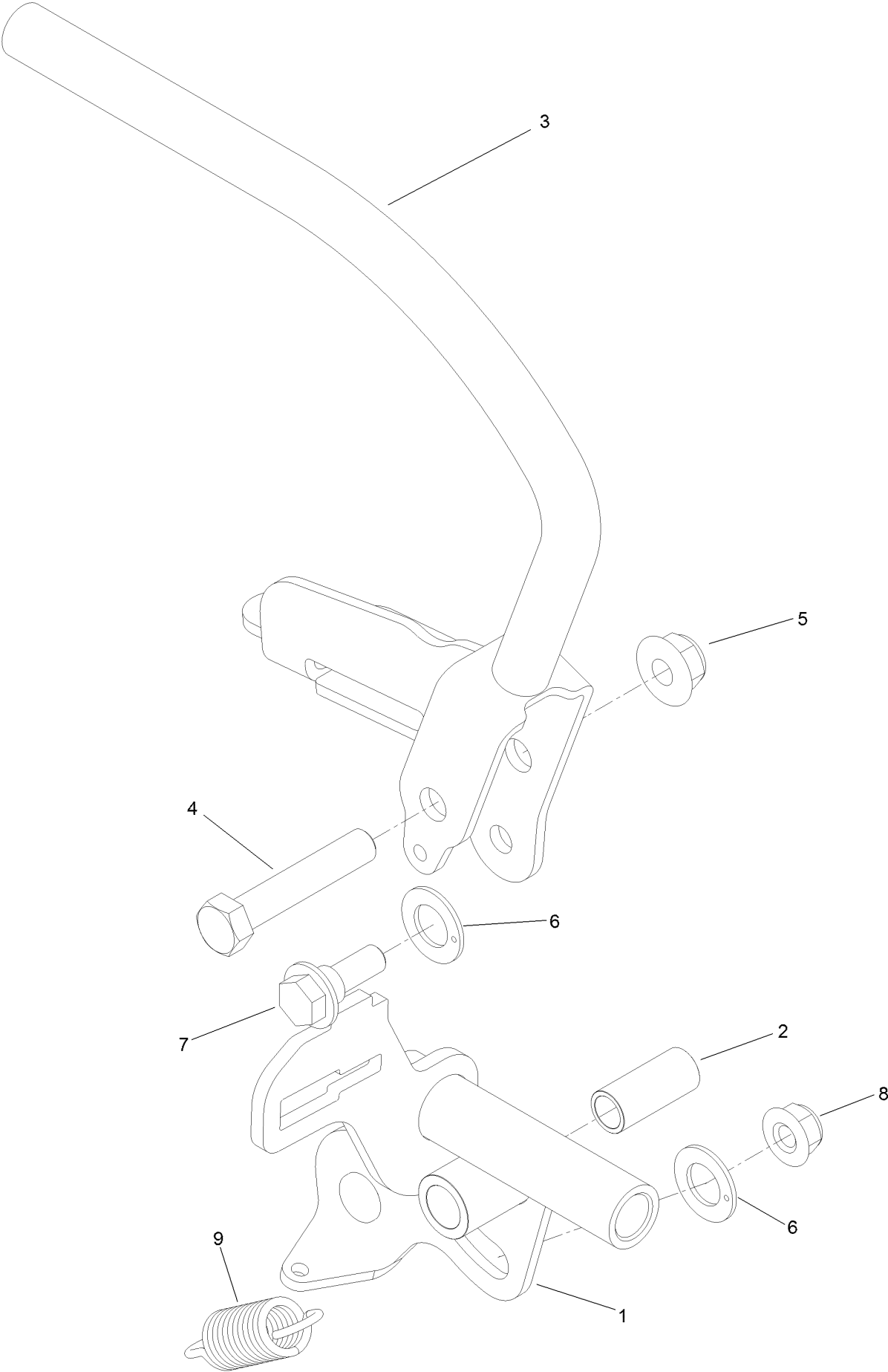
Motion Control Assembly



Motion Control Assembly (continued)

| <i>Ref.</i> | <i>Part Number</i> | <i>Qty.</i> | <i>Description</i> | <i>Ref.</i> | <i>Part Number</i> | <i>Qty.</i> | <i>Description</i> |
|-------------|--------------------|-------------|------------------------|-------------|--------------------|-------------|---------------------------|
| 1 | 132-5157 | 1 | LH Control Handle ASM | 9:3 | 103-1167 | 1 | Joint-Ball End, LH |
| 1:2 | 131-3562 | 1 | Bearing-Sleeve | 9:4 | 132-7515 | 1 | Rod-Control |
| 2 | 132-5158 | 1 | RH Control Handle ASM | 9:5 | 3256-45 | 2 | Washer-Flat |
| 2:8 | 131-3562 | 1 | Bearing-Sleeve | 10 | 130-1807 | 1 | RH Control Rod ASM |
| 3 | 119-0222 | 2 | Grip | 10:1 | 92-7008 | 1 | End-Rod, Female |
| 4 | 103-9928 | 2 | Bearing | 10:2 | 103-1167 | 1 | Joint-Ball End, LH |
| 5 | 120-3288 | 1 | Tab-Pivot, LH | 10:3 | 132-7515 | 1 | Rod-Control |
| 6 | 3229-1 | 4 | Bolt-CARR | 11 | 3231-28 | 2 | Screw-CARR |
| 7 | 104-7201 | 6 | Nut-HF | 12 | 104-8301 | 4 | Nut-HF, NI |
| 8 | 120-3287 | 1 | Tab-Pivot, RH | 13 | 3256-24 | 2 | Washer-Flat |
| 9 | 130-1803 | 1 | LH Control Rod ASM | 14 | 132-7538 | 1 | Bracket-Adjustment, Speed |
| 9:1 | 1-603807 | 1 | Spring-Return, Neutral | 15 | 126-1499 | 2 | Cam |
| 9:2 | 92-7008 | 1 | End-Rod, Female | 16 | 323-7 | 2 | Screw-HH |

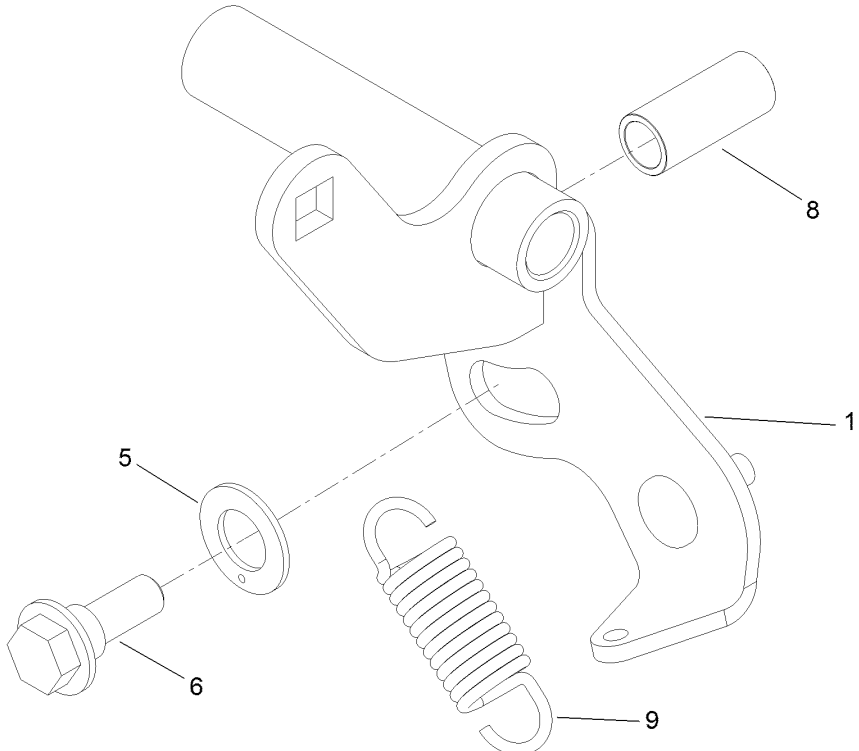
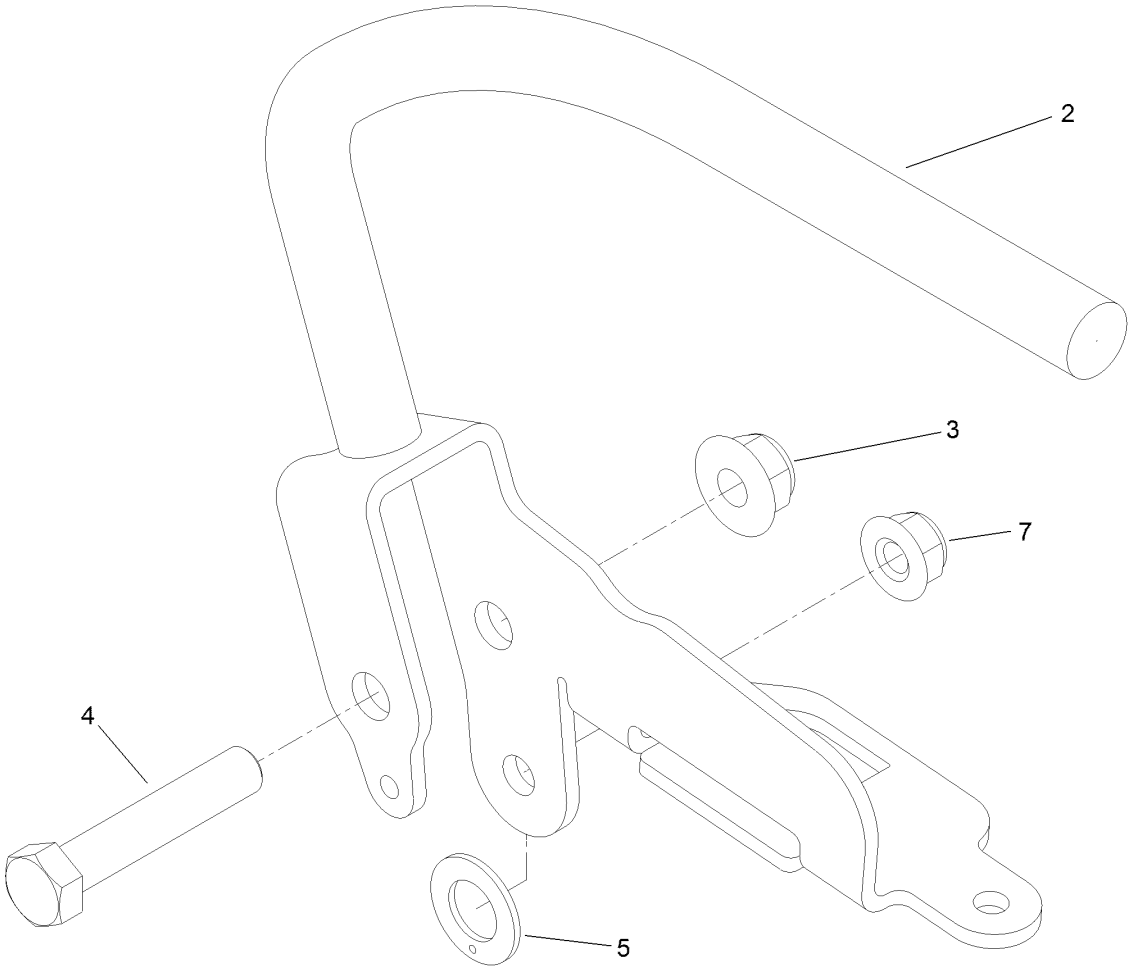
Control Handle Assembly No. 132-5157



Control Handle Assembly No. 132-5157 (continued)

| <i>Ref.</i> | <i>Part Number</i> | <i>Qty.</i> | <i>Description</i> | <i>Ref.</i> | <i>Part Number</i> | <i>Qty.</i> | <i>Description</i> |
|-------------|--------------------|-------------|----------------------------|-------------|--------------------|-------------|--------------------|
| 1 | 132-5115 | 1 | Pivot-Control, Motion (LH) | 6 | 110-7191 | 2 | Washer-Thrust |
| 2 | 131-3562 | 1 | Bearing-Sleeve | 7 | 116-2670 | 1 | Screw-Shoulder |
| 3 | 132-5114-03 | 1 | Lever-LH | 8 | 104-8300 | 1 | Nut-HF, NI |
| 4 | 323-10 | 1 | Screw-HH | 9 | 132-5146 | 1 | Spring-Extension |
| 5 | 104-8301 | 1 | Nut-HF, NI | | | | |

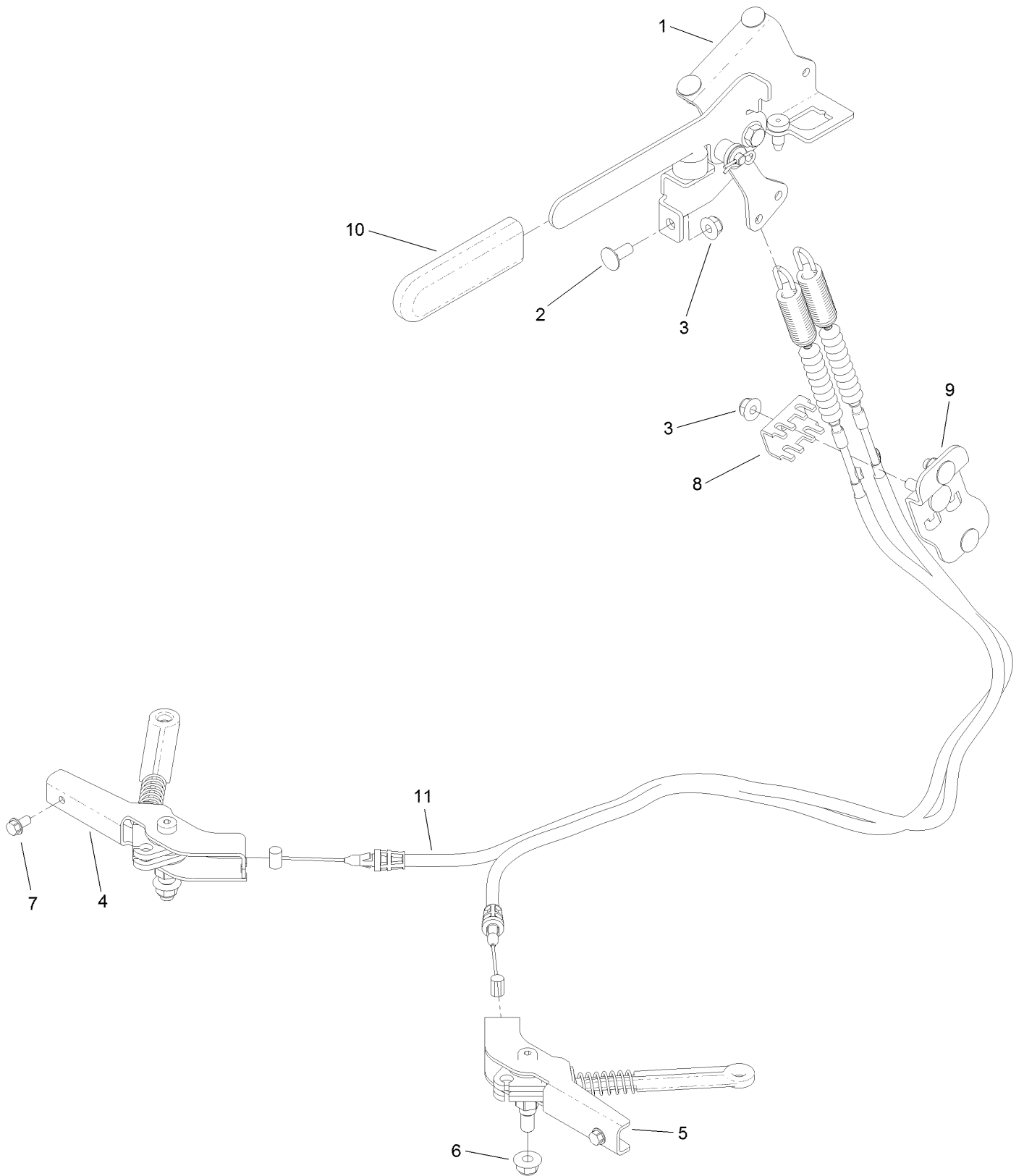
Control Handle Assembly No. 132-5158



Control Handle Assembly No. 132-5158 (continued)

| <i>Ref.</i> | <i>Part Number</i> | <i>Qty.</i> | <i>Description</i> | <i>Ref.</i> | <i>Part Number</i> | <i>Qty.</i> | <i>Description</i> |
|-------------|--------------------|-------------|----------------------------|-------------|--------------------|-------------|--------------------|
| 1 | 120-8490 | 1 | Pivot-Control, Motion (RH) | 6 | 116-2670 | 1 | Screw-Shoulder |
| 2 | 130-1825-03 | 1 | Lever-RH | 7 | 104-8300 | 1 | Nut-HF, NI |
| 3 | 104-8301 | 1 | Nut-HF, NI | 8 | 131-3562 | 1 | Bearing-Sleeve |
| 4 | 323-10 | 1 | Screw-HH | 9 | 132-5146 | 1 | Spring-Extension |
| 5 | 110-7191 | 2 | Washer-Thrust | | | | |

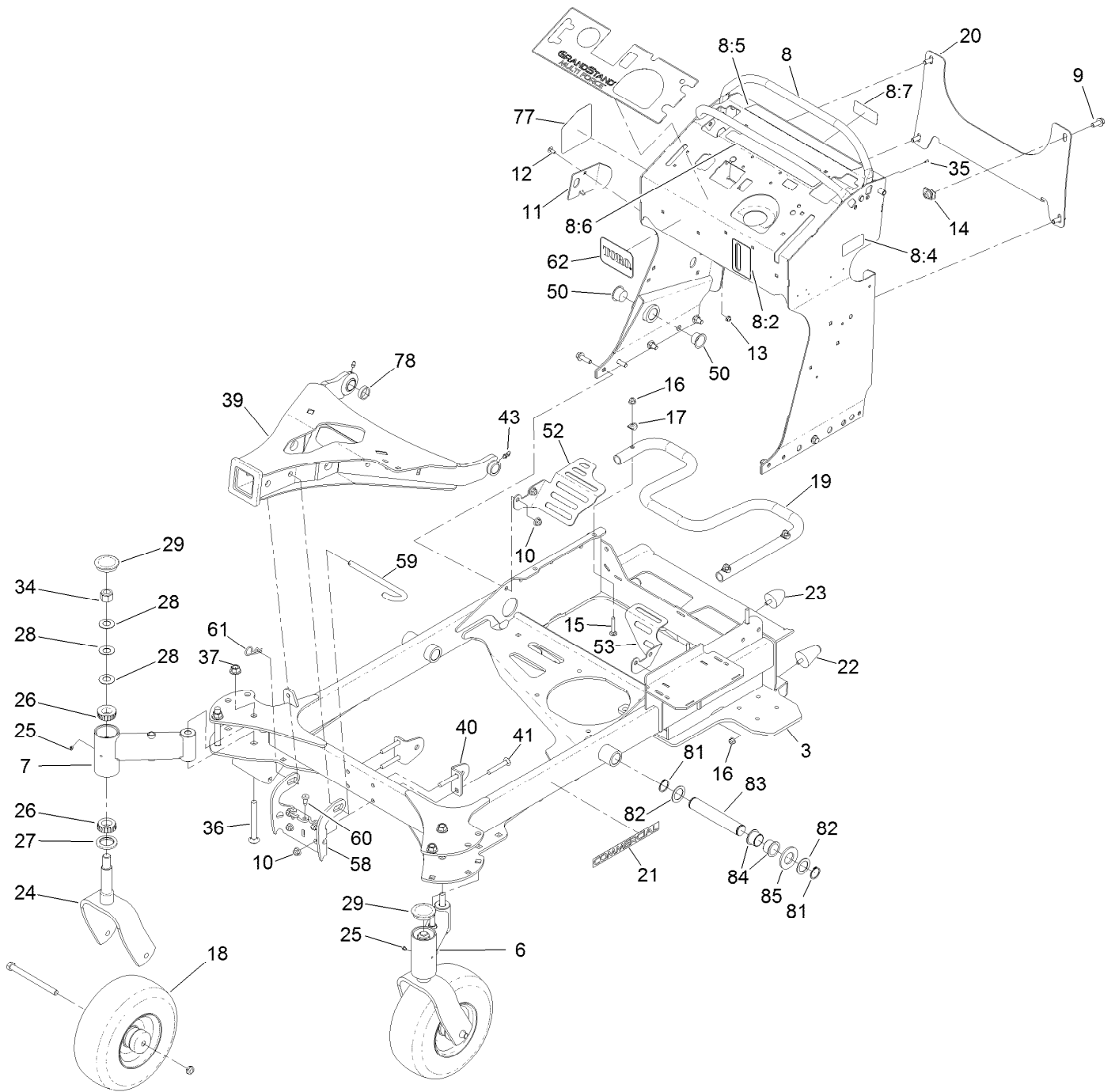
Parking Brake Assembly



Parking Brake Assembly (continued)

| <i>Ref.</i> | <i>Part Number</i> | <i>Qty.</i> | <i>Description</i> | <i>Ref.</i> | <i>Part Number</i> | <i>Qty.</i> | <i>Description</i> |
|-------------|--------------------|-------------|----------------------|-------------|--------------------|-------------|--------------------|
| 1 | 132-5170 | 1 | Brake Handle ASM | 7 | 32144-4 | 2 | Screw-HWH |
| 2 | 3230-23 | 5 | Screw-CARR | 8 | 132-1187 | 1 | Clamp-Cable |
| 3 | 104-8300 | 6 | Nut-HF, NI | 9 | 132-7582 | 1 | Mount-Cable, Brake |
| 4 | 132-5168 | 1 | RH Brake Caliper ASM | 10 | 1-633268 | 1 | Grip-Lever |
| 5 | 132-5169 | 1 | LH Brake Caliper ASM | 11 | 131-1195 | 2 | Cable-Brake |
| 6 | 104-8301 | 2 | Nut-HF, NI | | | | |

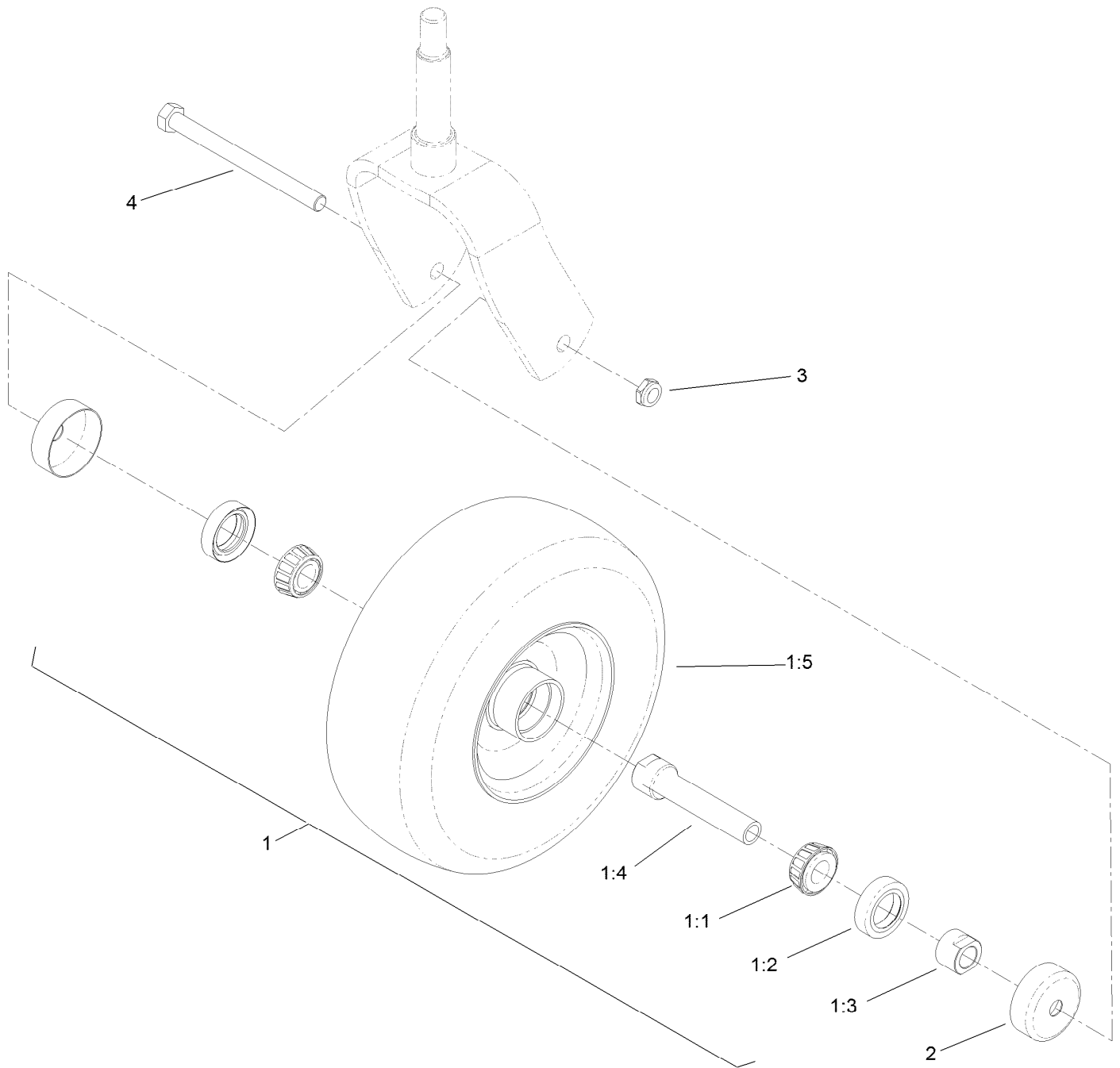
Frame Assembly



Frame Assembly (continued)

| <i>Ref.</i> | <i>Part Number</i> | <i>Qty.</i> | <i>Description</i> | <i>Ref.</i> | <i>Part Number</i> | <i>Qty.</i> | <i>Description</i> |
|-------------|--------------------|-------------|-------------------------------|-------------|--------------------|-------------|--------------------------|
| 3 | 131-1510-01 | 1 | Frame | 26 | 1-543509 | 4 | Bearing-Roller, Tapered |
| 6 | 131-1523-01 | 1 | Tube Castor Short | 27 | 116-5647 | 2 | Seal-Grease |
| 7 | 131-1524-01 | 1 | Tube Castor Long | 28 | 1-633508 | 6 | Washer-Bellville |
| 8 | 132-7537 | 1 | Tower Decal ASM | 29 | 103-4882 | 2 | Cap-Grease |
| 8:2 | 131-3524 | 1 | Decal-Level, Oil | 34 | 3296-51 | 2 | Nut-Lock, NI |
| 8:4 | 116-8775 | 1 | Decal-Fill, Fuel | 35 | 3290-271 | 2 | Rivet-Pop |
| 8:5 | 136-5438 | 1 | Decal-Caution | 36 | 3233-7 | 4 | Screw-CARR |
| 8:6 | 131-3526 | 1 | Decal-Controls | 37 | 99-5107 | 4 | Nut-Lock |
| 8:7 | 131-3528 | 1 | Decal-Fuse | 39 | 133-4662-03 | 1 | A-Frame |
| 9 | 3234-42 | 4 | Screw-HHF | 40 | 127-0649-01 | 2 | Bracket-Cylinder |
| 10 | 104-8301 | 12 | Nut-HF, NI | 41 | 3231-44 | 4 | Screw-CARR |
| 11 | 131-7455 | 1 | Plate-Striker | 43 | 302-40 | 1 | Fitting-Grease, 90 DEG |
| 12 | 3229-11 | 1 | Screw-CARR | 50 | 136-5428 | 2 | Plug-Plastic |
| 13 | 104-7201 | 1 | Nut-HF | 52 | 132-7578-01 | 1 | Guard-Fan, RH |
| 14 | 105-4886 | 4 | Nut-Tinnerman | 53 | 132-7598-01 | 1 | Guard-Fan, LH |
| 15 | 3230-5 | 3 | Screw-CARR | 58 | 133-5320-01 | 1 | Bracket-Lock |
| 16 | 104-8300 | 7 | Nut-HF, NI | 59 | 133-2021 | 1 | Pin-Hitch |
| 17 | 107-3844 | 3 | Washer | 60 | 87-8460 | 2 | Bumper-Rubber |
| 18 | 130-4558 | 2 | Wheel/Tire And Bearing ASM | 61 | 92-2762 | 1 | Pin-Hair |
| 19 | 132-5161-01 | 1 | Tube-Mount, Fuel Tank | 62 | 126-5060 | 1 | Decal-Logo, Toro |
| 20 | 132-1145-03 | 1 | Bracket-Cross | 77 | 133-4648 | 1 | Decal Service-Multiforce |
| 21 | 117-3591 | 2 | Decal-Commercial | 78 | 116-6758 | 1 | Spacer |
| 22 | 114-1925 | 2 | Bumper-Rubber | 81 | 32151-29 | 4 | Ring-Retaining |
| 23 | 114-1926 | 2 | Bumper-Rubber | 82 | 10-8110 | 4 | Washer-Thrust |
| 24 | 121-7988-01 | 2 | Fork-Caster | 83 | 136-5429 | 2 | Shaft-Pivot |
| 25 | 1-811010 | 2 | Plug | 84 | 127-0369 | 4 | Bushing |
| | | | | 85 | 3256-62 | 2 | Washer-Flat |

Wheel, Tire and Bearing Assembly No. 130-4558



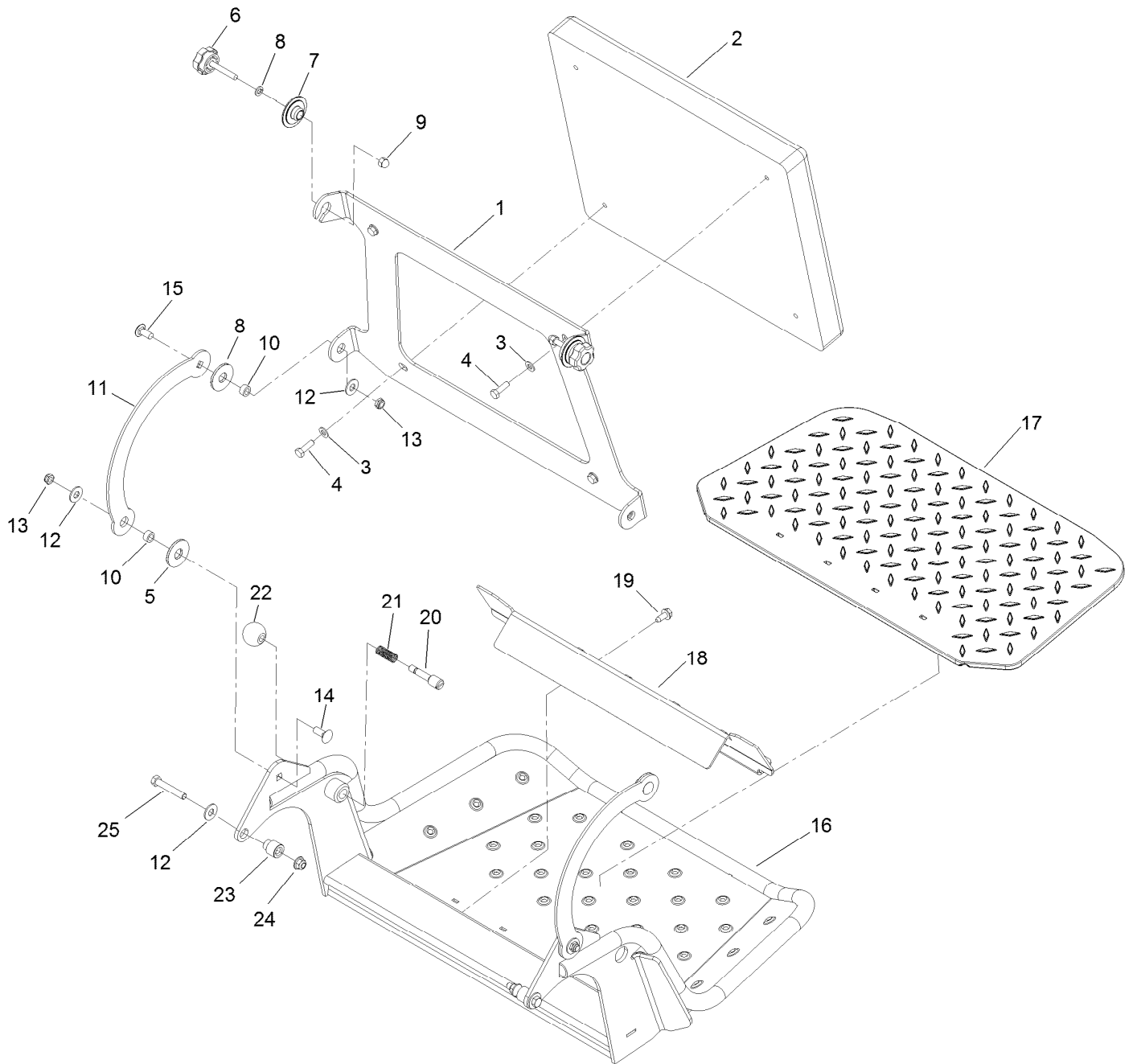
Wheel, Tire and Bearing Assembly No. 130-4558 (continued)

| <i>Ref.</i> | <i>Part Number</i> | <i>Qty.</i> | <i>Description</i> | <i>Ref.</i> | <i>Part Number</i> | <i>Qty.</i> | <i>Description</i> |
|-------------|--------------------|-------------|-------------------------|-------------|--------------------|-------------|--------------------|
| 1 | | 1 | Wheel And Bearing ASM ● | 1:5 | 130-4563 | 1 | Wheel And Tire ASM |
| 1:1 | 1-633585 | 2 | Bearing-Cone, Taper | 2 | 103-2768 | 2 | Guard-Seal |
| 1:2 | 103-0063 | 2 | Seal-Caster | 3 | 3296-45 | 1 | Nut-Lock, NI |
| 1:3 | 103-3051 | 1 | Spacer-Nut ■ | 4 | 325-20 | 1 | Screw-HH |
| 1:4 | 126-5359 | 1 | Axle ASM-Caster | | | | |

● Not serviced separately

■ Use Pro-Lock, Nut Type (P/N 1-840022, .5ml tube) on spacer nut

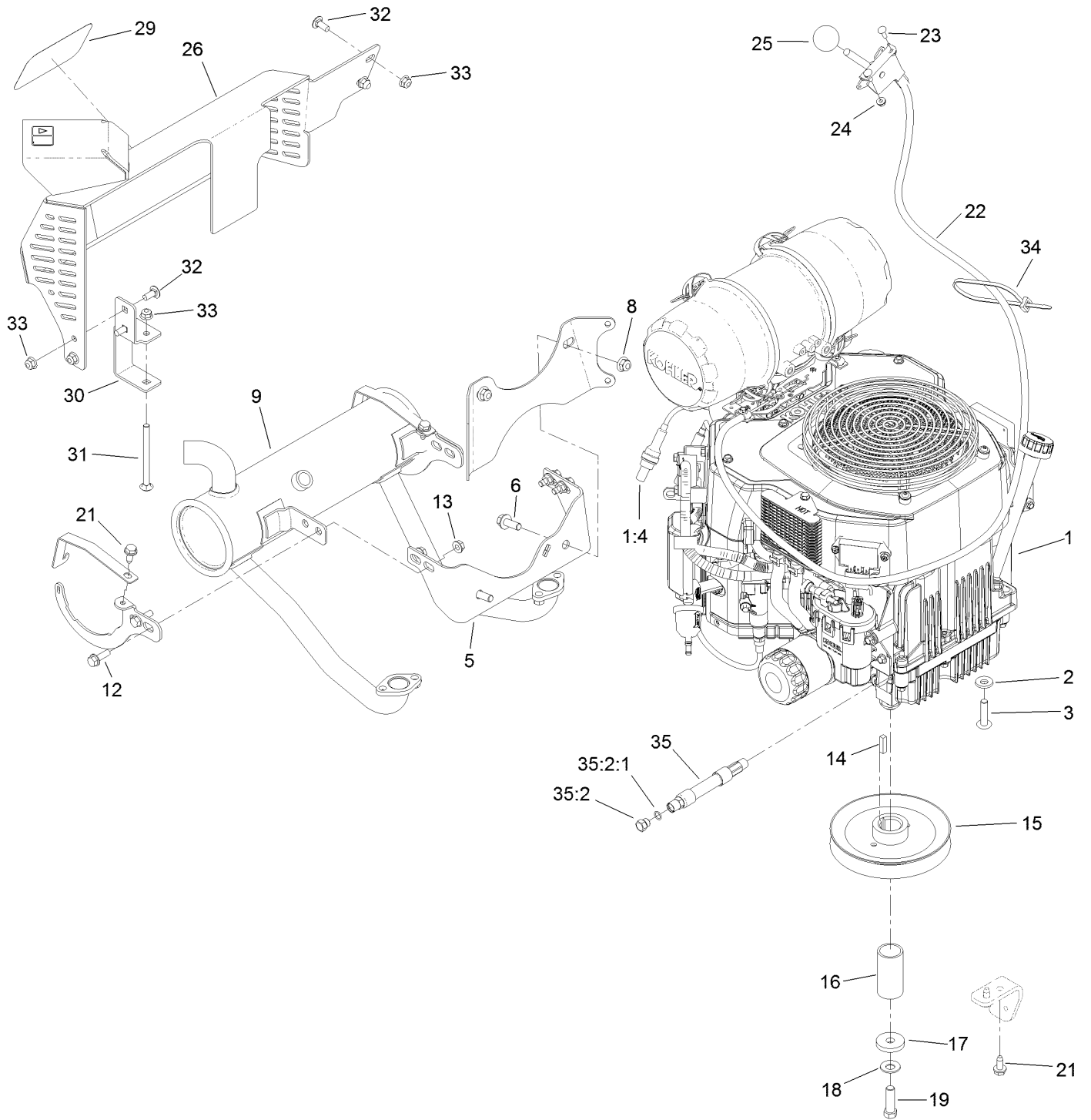
Platform Assembly



Platform Assembly (continued)

| <i>Ref.</i> | <i>Part Number</i> | <i>Qty.</i> | <i>Description</i> | <i>Ref.</i> | <i>Part Number</i> | <i>Qty.</i> | <i>Description</i> |
|-------------|--------------------|-------------|----------------------------|-------------|--------------------|-------------|--------------------|
| 1 | 120-8499-03 | 1 | Hinge-Pad | 14 | 3231-2 | 2 | Bolt-CARR |
| 2 | 117-9739 | 1 | Pad-Cushion | 15 | 3231-27 | 2 | Screw-CARR |
| 3 | 3256-23 | 4 | Washer-Plain | 16 | 120-8475-01 | 1 | Platform |
| 4 | 121-7999 | 4 | Screw-HH | 17 | 126-7157 | 1 | Mat-Platform |
| 5 | 114-0463 | 4 | Washer-Friction, Composite | 18 | 136-5669-01 | 1 | Clamp-Shield |
| 6 | 133-1426 | 2 | Knob | 19 | 32144-70 | 2 | Screw-HWHTF |
| 7 | 116-2886 | 2 | Slide-Bushing | 20 | 119-8650 | 1 | Pin-Latch |
| 8 | 3253-4 | 2 | Washer-Lock | 21 | 114-5348 | 1 | Spring |
| 9 | 131-4535 | 2 | Nut-Acorn | 22 | 1-603175 | 1 | Knob-Ball |
| 10 | 111044 | 4 | Spacer | 23 | 132-7583 | 2 | Bushing-Flanged |
| 11 | 114-1915-01 | 2 | Link-Pad | 24 | 104-8301 | 2 | Nut-HF, NI |
| 12 | 3256-4 | 6 | Washer-Flat | 25 | 323-11 | 2 | Screw-HH |
| 13 | 3296-59 | 4 | Nut-Lock, NI | | | | |

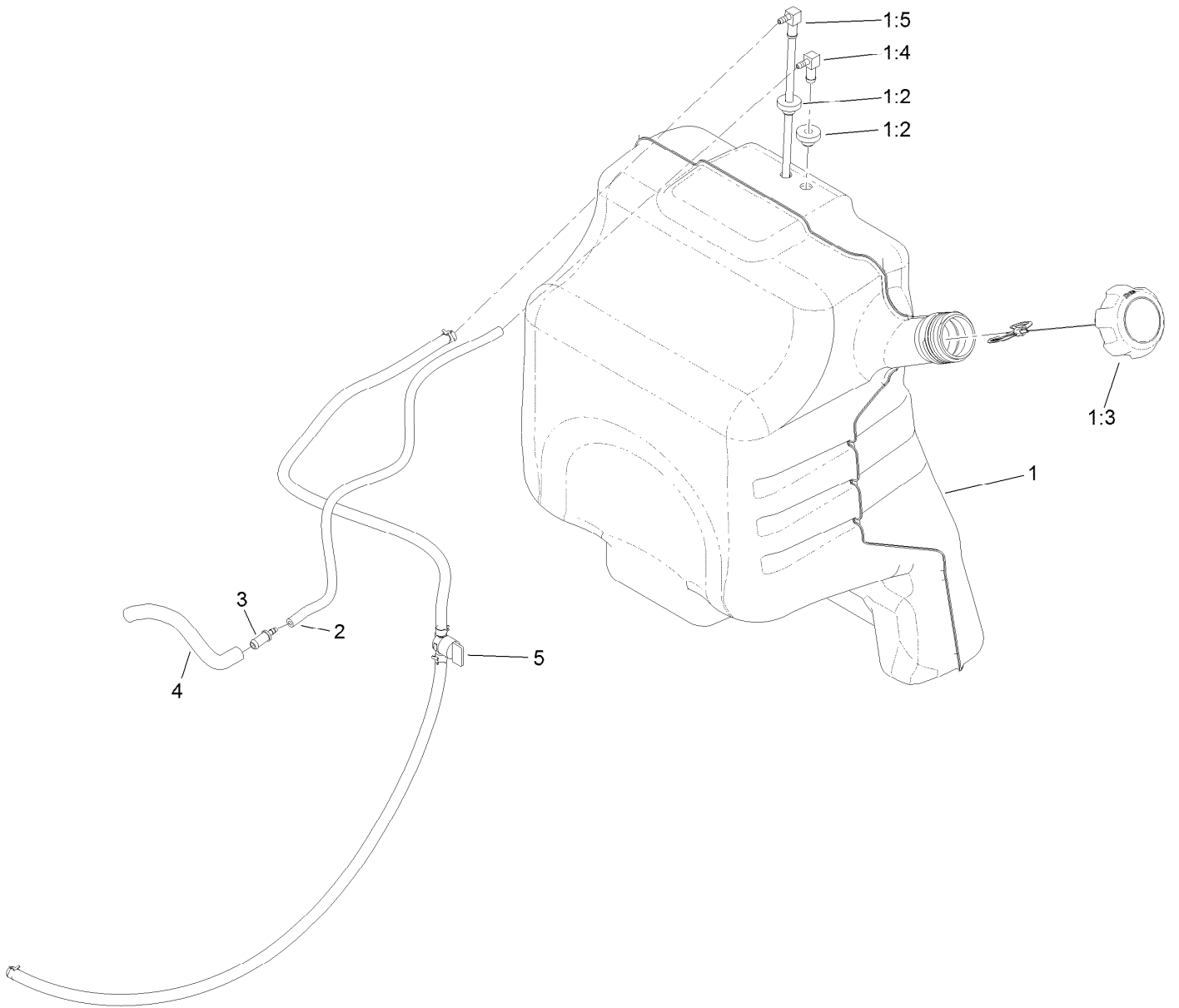
Engine Assembly



Engine Assembly (continued)

| <i>Ref.</i> | <i>Part Number</i> | <i>Qty.</i> | <i>Description</i> | <i>Ref.</i> | <i>Part Number</i> | <i>Qty.</i> | <i>Description</i> |
|-------------|--------------------|-------------|-----------------------|-------------|--------------------|-------------|-------------------------|
| 1 | 131-1159 | 1 | Engine-Kohler, Ecv749 | 21 | 32144-70 | 2 | Screw-HWHTF |
| 1:4 | 116-5395 | 1 | Sensor-Oxygen | 22 | 132-5152 | 1 | Throttle ASM |
| 2 | 98-5975 | 4 | Washer-Belleville | 23 | 1-807533 | 2 | Bolt-CARR |
| 3 | 126-0983 | 4 | Screw-BHTF | 24 | 32128-17 | 2 | Nut-Lock, Flange |
| 5 | 132-1168 | 1 | Bracket-Muffler | 25 | 1-603175 | 1 | Knob-Ball |
| 6 | 3234-42 | 2 | Screw-HHF | 26 | 131-3550 | 1 | Muffler Guard ASM |
| 8 | 104-8301 | 2 | Nut-HF, NI | 29 | 94-2579 | 1 | Decal |
| 9 | 133-4634 | 1 | Muffler-Kohler | 30 | 131-3530-03 | 1 | Bracket-Mounting, Guard |
| 12 | 3234-17 | 4 | Screw-HHF | 31 | 106-9758 | 1 | Screw-CARR |
| 13 | 32128-25 | 4 | Nut-HF | 32 | 3230-23 | 4 | Screw-CARR |
| 14 | 1-807259 | 1 | Key | 33 | 104-8300 | 5 | Nut-HF, NI |
| 15 | 120-8498 | 1 | Pulley | 34 | 3290-378 | 2 | Tie-Cable |
| 16 | 136-5411 | 1 | Spacer-Clutch | 35 | 133-4657 | 1 | Hose ASM |
| 17 | 107-4136 | 1 | Washer | 35:2 | 353-508 | 1 | Plug-HH |
| 18 | 1-603610 | 1 | Washer-Spring | 35:2:1 | 237-42 | 1 | O-Ring |
| 19 | 3212-6 | 1 | Screw-HH | | | | |

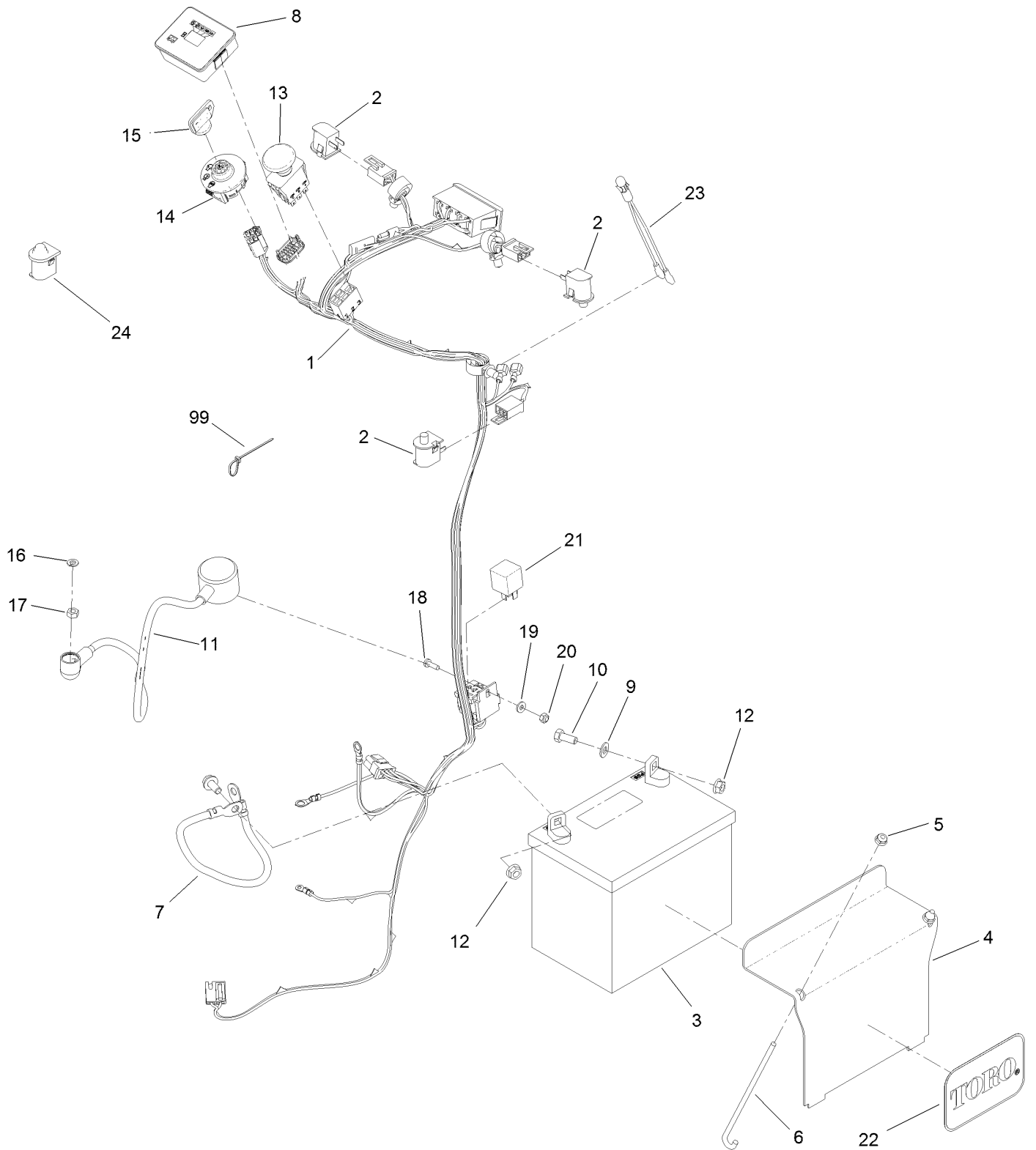
Fuel Tank Assembly



Fuel Tank Assembly (continued)

| <i>Ref.</i> | <i>Part Number</i> | <i>Qty.</i> | <i>Description</i> | <i>Ref.</i> | <i>Part Number</i> | <i>Qty.</i> | <i>Description</i> |
|-------------|--------------------|-------------|-----------------------|-------------|--------------------|-------------|--------------------|
| 1 | 132-7560 | 1 | Fuel Tank ASM | 2 | 110-8255 | 1 | Hose-Fuel |
| 1:2 | 46-6560 | 2 | Bushing | 3 | 98-2952 | 1 | Fitting-Straight |
| 1:3 | 115-7788 | 1 | Cap-Fuel | 4 | 132-7576 | 1 | Hose-Fuel |
| 1:4 | 104-5228 | 1 | Fitting-Elbow, 90 DEG | 5 | 132-7545 | 1 | Fuel Line ASM |
| 1:5 | 132-7559 | 1 | Fuel Tube ASM | | | | |

Wire Harness Assembly



Wire Harness Assembly (continued)

| <i>Ref.</i> | <i>Part Number</i> | <i>Qty.</i> | <i>Description</i> | <i>Ref.</i> | <i>Part Number</i> | <i>Qty.</i> | <i>Description</i> |
|-------------|--------------------|-------------|----------------------------|-------------|--------------------|-------------|--------------------|
| 1 | 136-5422 | 1 | Harness-Wire | 14 | 117-2222 | 1 | Switch-Ignition |
| 2 | 82-2190 | 2 | Switch-Bail | 15 | 63-8360 | 1 | Key-Ignition |
| 3 | 104-8162 | 1 | Battery-Dry | 16 | 3253-3 | 1 | Washer-Lock |
| 4 | 130-6635-01 | 1 | Bracket-Hold Down, Battery | 17 | 3217-5 | 1 | Nut-Hex |
| 5 | 104-7201 | 2 | Nut-HF | 18 | 3290-500 | 1 | Screw-PPH |
| 6 | 1-633651 | 2 | Bolt-Holddown | 19 | 3256-14 | 1 | Washer-Flat |
| 7 | 112-7063 | 1 | Cable-Battery, Black | 20 | 3296-2 | 1 | Nut-Lock, NI |
| 8 | 130-6570 | 1 | Module-Meter, Hour | 21 | 1-643275 | 1 | Relay |
| 9 | 3256-23 | 2 | Washer-Plain | 22 | 67-1300 | 1 | Decal |
| 10 | 322-3 | 2 | Screw-HH | 23 | 1-643267 | 1 | Indicator-LED, Red |
| 11 | 115-3864 | 1 | Cable-Battery, Positive | 24 | 133-4654 | 1 | Switch-Plunger |
| 12 | 109-5715 | 2 | Nut-HHF, Smooth | 99 | 3290-378 | 4 | Tie-Cable |
| 13 | 114-0279 | 1 | Switch-PTO, On-On-(On) | | | | |

Notes:

Notes:



Count on it.