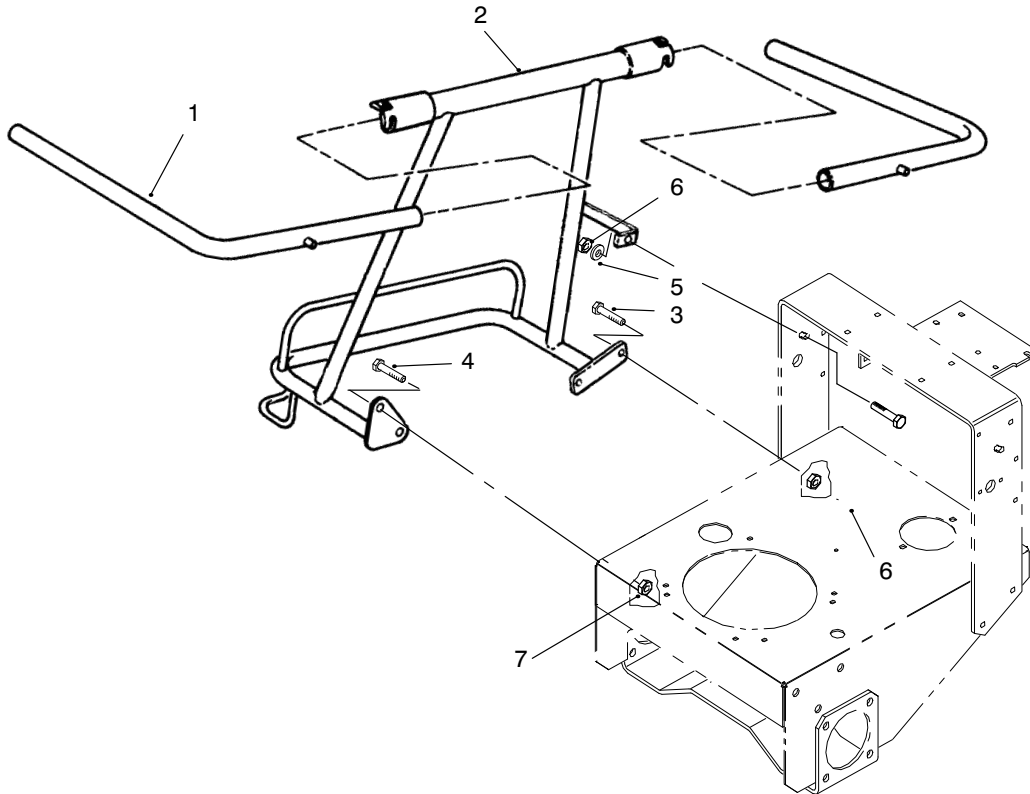




MODEL NO. 30124-890001 & UP	<b>PARTS CATALOG</b>
<b>32" BAGGING KIT PROLINE MID-SIZE TRACTION UNIT</b>	



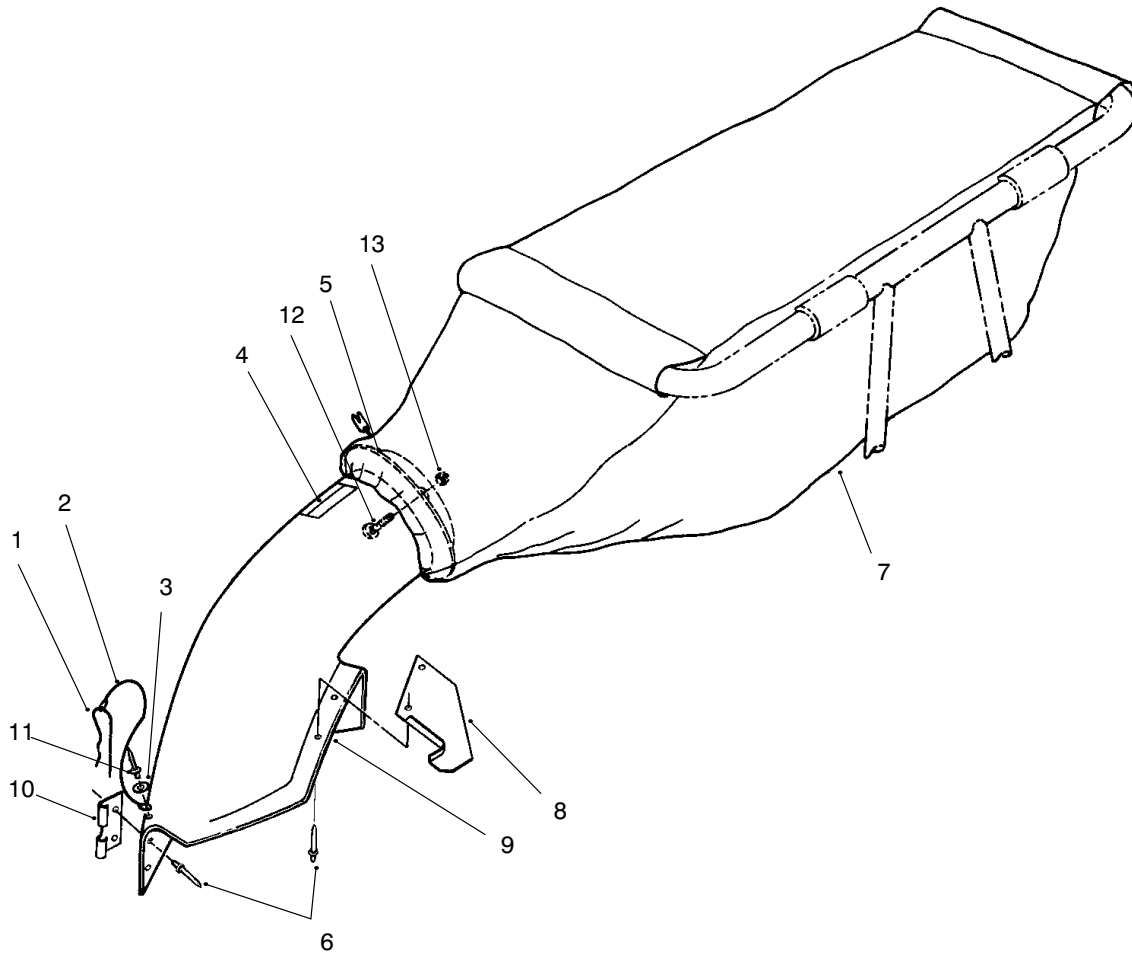
T-0003

## FRAME ASSEMBLY

Ref. No.	Part No.	Description	No. Used
1	67-6640	Frame - Bagger	2
2	98-0672	Support - Bagger	1
3	323-7	Screw - Hex Hd. Cap	2
4	3234-32	Screw - Hex Hd. Flange	2
5	3256-24	Washer - Flat	1
6	3296-39	Nut - Lock	2

Ref. No.	Part No.	Description	No. Used
7	3296-23	Nut - Lock	2
*8	68-3560	Elbow - Exhaust	1
*9	2412-111	Clamp	1
	93-4372	Kit - Adapter, 32" Bagger (Incl. Ref. 6-14)	

\* Not Illustrated



T-0004

## CHUTE & BAG ASSEMBLY

Ref. No.	Part No.	Description	No. Used
1	28-8130	Pin - Chute Locking	1
2	28-8070	Lanyard	1
3	3256-49	Washer - Flat	1
4	54-9220	Decal - Danger	1
5	67-6690	Ring - Bagger	1
6	3290-412	Rivet - Pop	4
7	67-6580	Bag Assembly	1
8	33-2090	Bracket - Chute Support	1

Ref. No.	Part No.	Description	No. Used
9	67-6800	Chute Assembly (Incl. Ref. #1-6, & 8, 10-13)	1
10	28-8050	Bracket - Chute Mount	1
11	3290-282	Rivet - Pop	1
12	3229-11	Bolt - Carriage	4
13	32149-2	Nut - Lock	4

\*Not Illustrated