



**Z-Master**

# **Z320 OFZ Traction Unit**

**Model No. 74180 – 890001 & Up**

---

## **Parts Catalog**

## ORDERING REPLACEMENT PARTS

To order replacement parts, please supply: the part number, the quantity, and the description of each part desired.

## Contents

Description	Page	Description	Page
Frame & Wheels .....	1	Crankshaft .....	14
Engine & Fuel Tank .....	2	Crankcase .....	15
Electrical System .....	3	Oil Pan / Lubrication .....	16
Parking Brake .....	4	Head / Valve / Breather .....	17
Hydraulic System .....	5	Ignition / Electrical .....	18
Hydraulic System .....	6	Blower Housing And Baffles .....	19
Seat And Fenders .....	7	Starter System .....	20
Seat And Fenders .....	8	Fuel System .....	21
Steering Controls .....	9	Engine Controls .....	22
Heat Shields And Exhaust .....	10	Air Intake / Filtration .....	23
Drive Systems .....	11	Exhaust .....	24
Electric Schematic .....	12	Gear Box Assembly No. 94-4641 .....	25
Hydraulic Schematic .....	13	Hydraulic Pump Assembly No. 98-1957 .....	26

## Part Description Abbreviations

Part descriptions in this catalog may include the following abbreviations.

Abbreviation	Meaning	Abbreviation	Meaning
AR .....	as required	HWHTF .....	hex washer head thread forming
ASM .....	assembly	INC .....	incorporated
CARR .....	carriage	LH .....	left hand
DEG .....	degrees	PH .....	pan head
FH .....	flat head	PPH .....	Phillips pan head
GA .....	gauge	PTO .....	power take off
HF .....	hex flange	RH .....	right hand
HFW .....	hex flange washer	SFH .....	slotted fillister head
HH .....	hex head	SH .....	square head
HHF .....	hex head flange	SHWH .....	slotted hex washer head
HHST .....	hex head self tapping	SPH .....	slotted pan head
HJ .....	hex jam	STD .....	standard
HOC .....	height-of-cut	TAP .....	self tapping
HS .....	hex socket	TH .....	truss head
HSBH .....	hex socket button head	TTH .....	Torx truss head
HSFH .....	hex socket flat head	WH .....	wing head
HSH .....	hex socket head		
HWH .....	hex washer head		

## Important Format Explanations

This catalog uses special formats to convey information in illustrations and parts lists. Specifically, one format is used in conjunction with service assemblies and another with quantities associated with reference numbers.

## Service Assemblies

Parts within service assemblies have reference numbers in the form  $X:Y$ .  $X$  is the reference number of the service assembly and  $Y$  is a sequential number unique to each part within the service assembly.

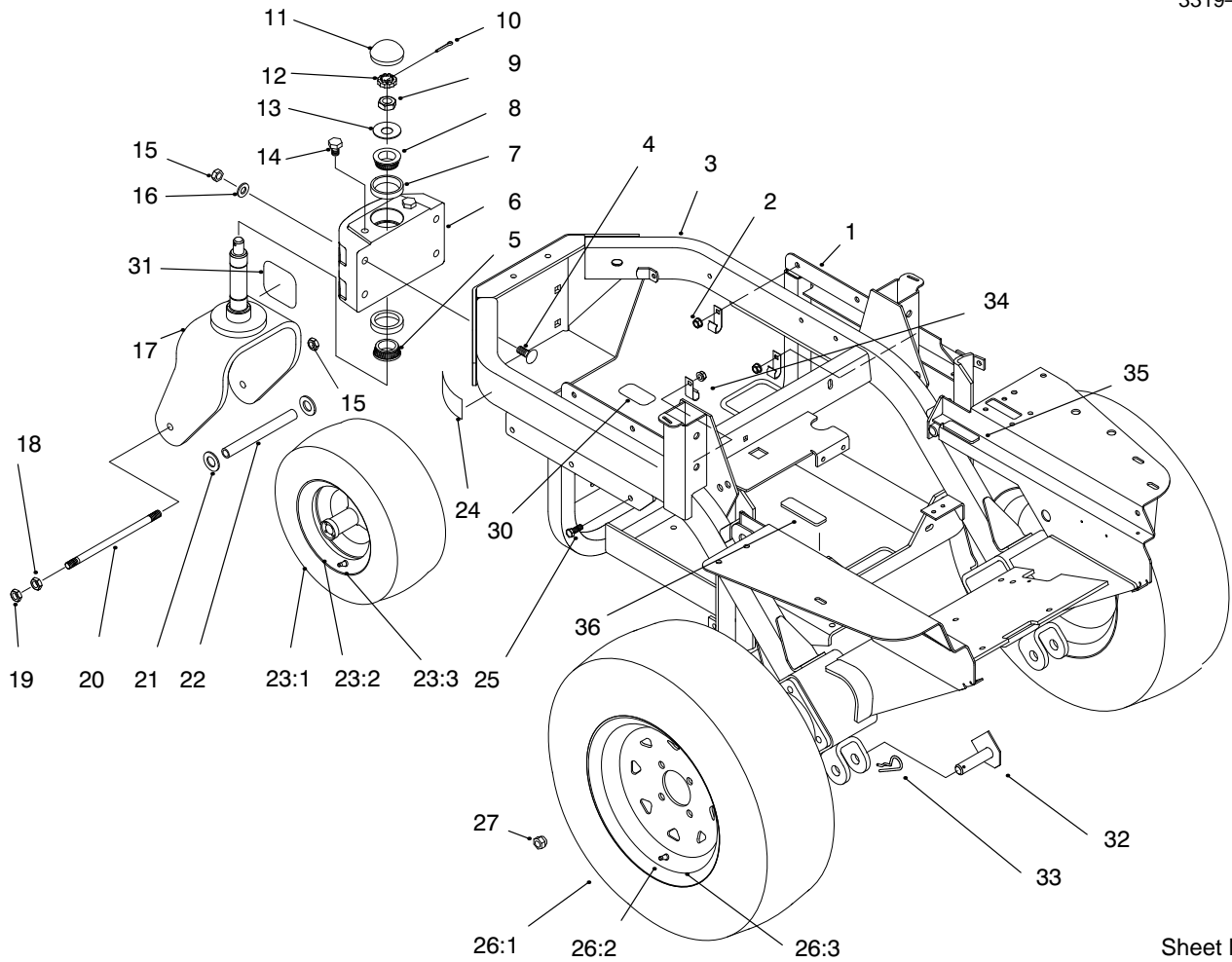
For example, a wheel assembly might be identified by reference number 6, the tire by 6:1, the valve by 6:2, and the wheel by 6:3. When you order the assembly identified by reference number 6, you receive all parts identified by reference numbers 6:1, 6:2, and 6:3. However, you may also order any part individually.

Reference numbers of this type appear in part lists and as callouts in illustrations.

## Reference Numbers with Quantities

Illustrations may have a quantity in parentheses next to a reference number, in the form  $X (Y)$ .  $X$  is the reference number.  $Y$  in parentheses is the quantity of the part identified by the reference number.

For example, the illustration callout 4 (2) indicates that two parts are used in that instance.

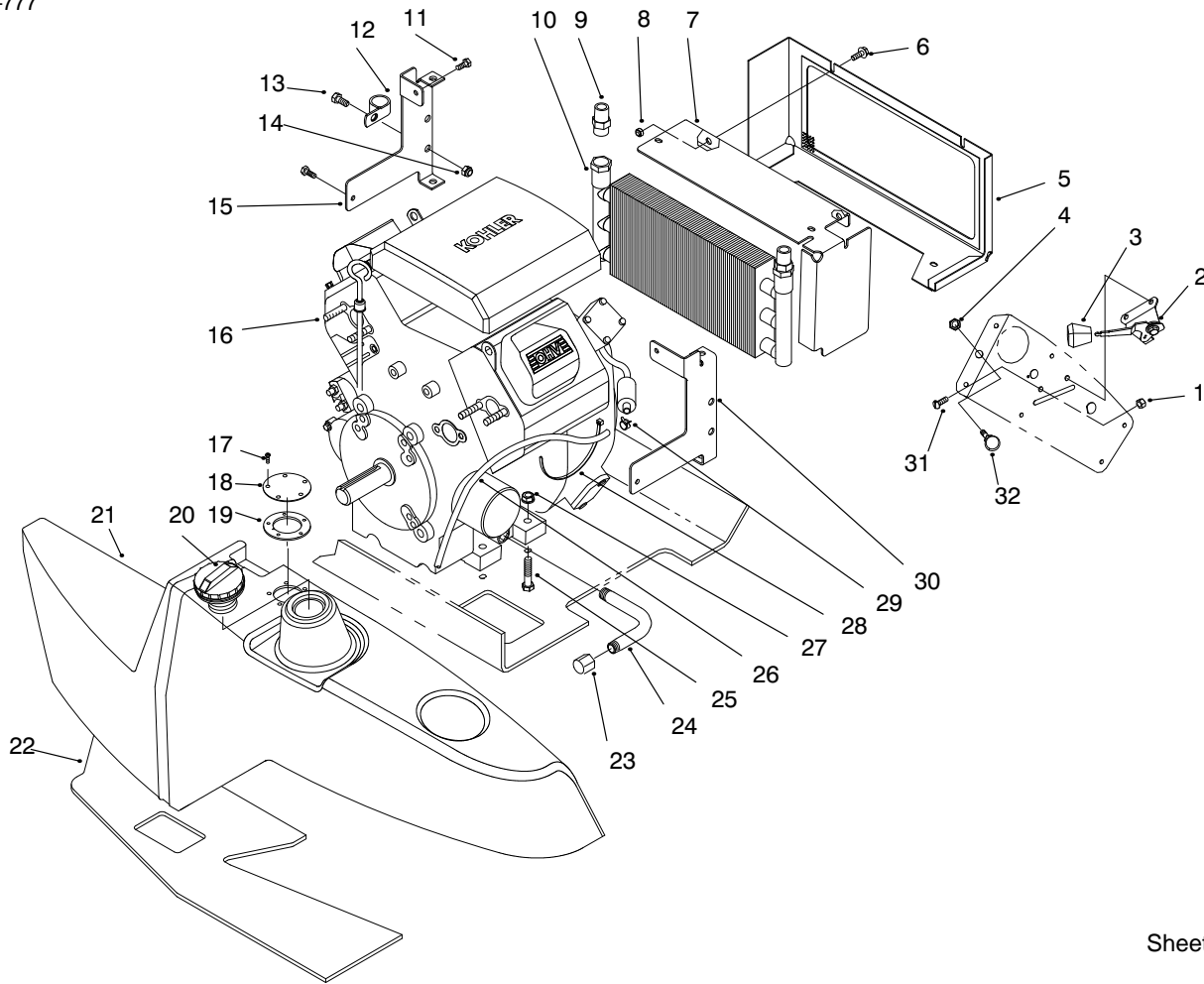


Sheet No.: 2

## Frame & Wheels

Ref. No.	Part No.	Qty.	Description
1	94-4618-03	1	Support-Engine
2	3296-39	6	Nut-Lock
3	94-9598	1	Frame ASM
4	3233-27	4	Screw-CARR
5	254-70	1	Bearing w/Cone & Seal
6	94-9489-01	1	Housing-Spindle
7	254-61	2	Cup-Bearing
8	254-62	1	Cone-Bearing
9	3220-7	1	Nut-Jam
10	3272-17	1	Pin-Cotter
11	94-4665	1	Dustcap
12	93-0307	1	Nut-Lock
13	3256-8	1	Washer-Flat
14	325-2	2	Screw
15	3296-23	5	Nut-Lock
16	3256-26	6	Washer-Flat
17	94-4647-01	1	Castor Fork
18	325-24	1	Screw-HH
21	3256-28	2	Washer-Flat
22	94-4753	1	Tube-Spacer
23:1	94-9384	1	Tire
23:2	98-4351X	1	Wheel ASM
23:3	232-27	1	Valve Stem
24	93-9198	1	Decal-Warning
25	323-6	6	Screw-HH

Ref. No.	Part No.	Qty.	Description
26:1	94-9387	2	Tire
26:2	232-27	2	Valve Stem
26:3	94-9386	2	Wheel
27	242-50	8	Nut-Lug
28	3269-8	2	Rivet
31	95-1956	1	Decal-Z320
32	94-4755	2	Pivot Pin ASM
33	3290-343	2	Pin-Cotter
34	8830	1	Retainer-"J"
35	52-5260	2	Rubber Pad
36	98-4361	1	Decal-Warning



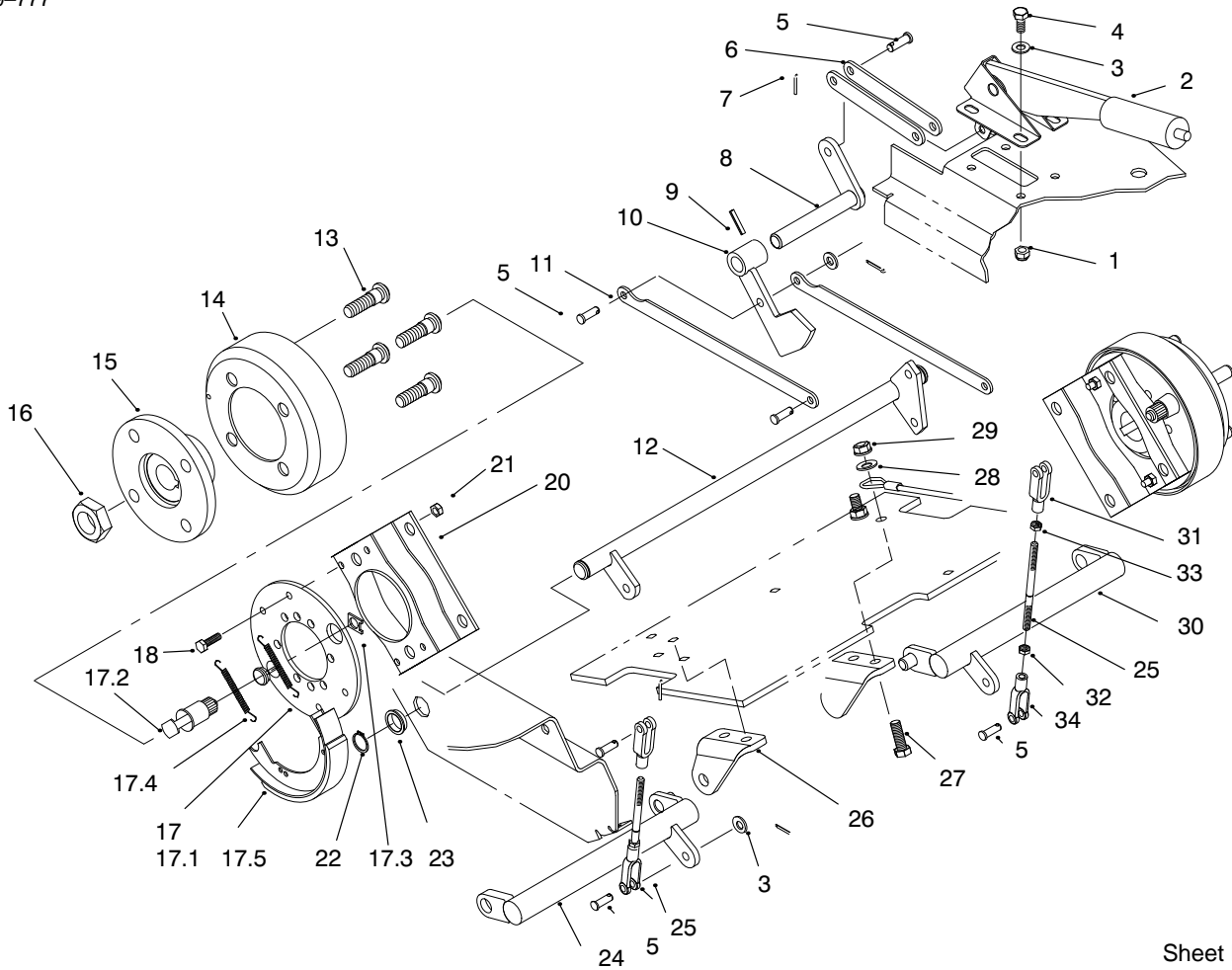
Sheet No.: 3

## Engine & Fuel Tank

Ref. No.	Part No.	Qty.	Description
1	3296-42	2	Nut-Lock
2	95-1955	1	Control-Throttle
3	66-0120	1	Knob
4	3220-3	1	Nut-Hex Jam
5	94-9556-03	1	Cooler Shroud ASM
6	3234-4	6	Screw-HH
7	98-1969-03	1	Cooler Shroud ASM
9	93-5107	2	Fitting-Adapter
10	24-0760	1	Exchanger-Heat
11	32144-10	2	Screw-HH
12	2412-39	4	R-Clamp
13	322-3	4	Screw-HH
14	3296-29	4	Nut-Lock
15	98-1972-03	1	Bracket-Rear
16	94-9461	1	Engine Kohler Ch20
17	3250-29	5	Screw
18	94-9597-03	1	Cover-Fuel Tank Opening
19	62-7650	1	Gasket
20	93-3101	1	Gas Cap
21	94-9553	1	Fuel Tank ASM
22	98-1319	1	Foam-Tank
23	288-4	1	Cap-Pipe
24	94-9499	1	Tube-Oil Drain
25	323-9	4	Screw-HH
26	94-9502	1	Hose-Gas

Ref. No.	Part No.	Qty.	Description
27	3296-39	4	Nut-Lock
28	3290-378	A/R	Tie-Cable
29	2412-98	2	Clamp-Hose
30	98-1971-03	1	Bracket-Front
31	3258-166	2	Screw
32	98-1956	1	Control-Push Pull



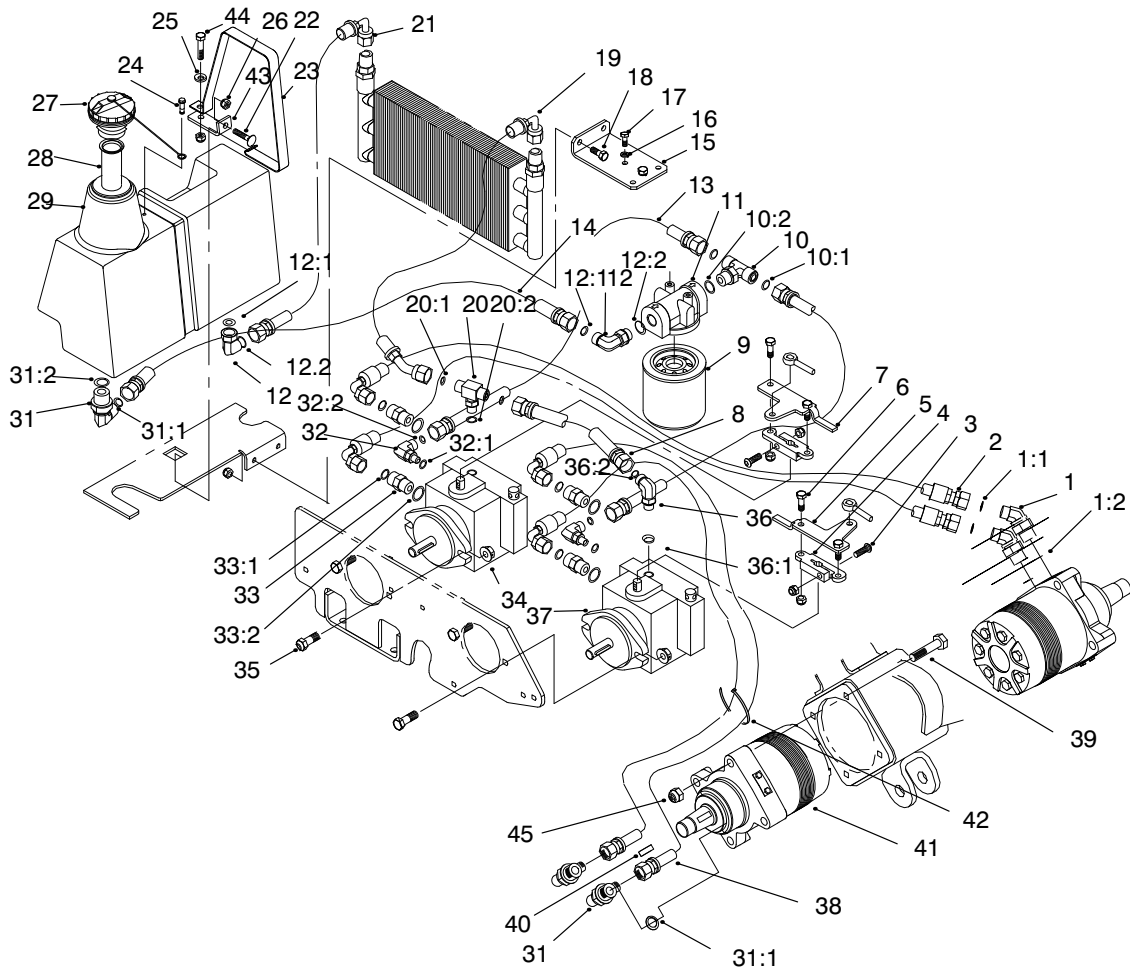


Sheet No.: 5

## Parking Brake

Ref. No.	Part No.	Qty.	Description
1	3296-29	4	Nut-Lock
2	94-4602	1	Lever-Brake
3	3256-23	4	Washer-Flat
4	322-3	4	Screw-HH
5	283-1	8	Pin-Clevis
6	98-1992	2	Link-Brake
7	3272-10	8	Pin-Cotter
8	98-1990	1	Transfer Shaft ASM
9	32121-93	1	Pin-Spiral
10	98-1994	1	Brake Hub ASM
11	98-1991	2	Link-Connect
12	98-1988	1	Torsion Shaft ASM
13	85-6540	8	Stud
14	10-6850	2	Drum Brake
15	10-6870	2	Hub-Wheel
16	26-3790	2	Nut-Lock
17	71-1500	2	Brake ASM
17.1	70-9870	2	Plate-Backing
17.2	70-9860	2	Cam Shaft
17.4	70-9880	4	Spring-Return
17.5	70-9840	4	Brake Shoe
18	321-4	8	Screw-HH
20	84-2000	2	Bracket-Brake
21	3296-42	8	Nut-Lock
22	32120-72	2	Ring-Retaining
23	106950	2	Bushing

Ref. No.	Part No.	Qty.	Description
24	98-1998	1	RH Brake Lever ASM
25	98-1996	2	Rod-Brake
26	94-9573-01	2	Mount-Lever
27	323-18	4	Screw-HH
28	3256-24	1	Washer-Flat
29	3296-39	4	Nut-Lock
30	98-1997	1	LH Brake Lever ASM
31	282-2	2	Pin-Clevis
32	3220-20	2	Nut-Hex Jam
33	3220-2	2	Nut-Jam
34	98-4367	2	Clevis-Adjustable



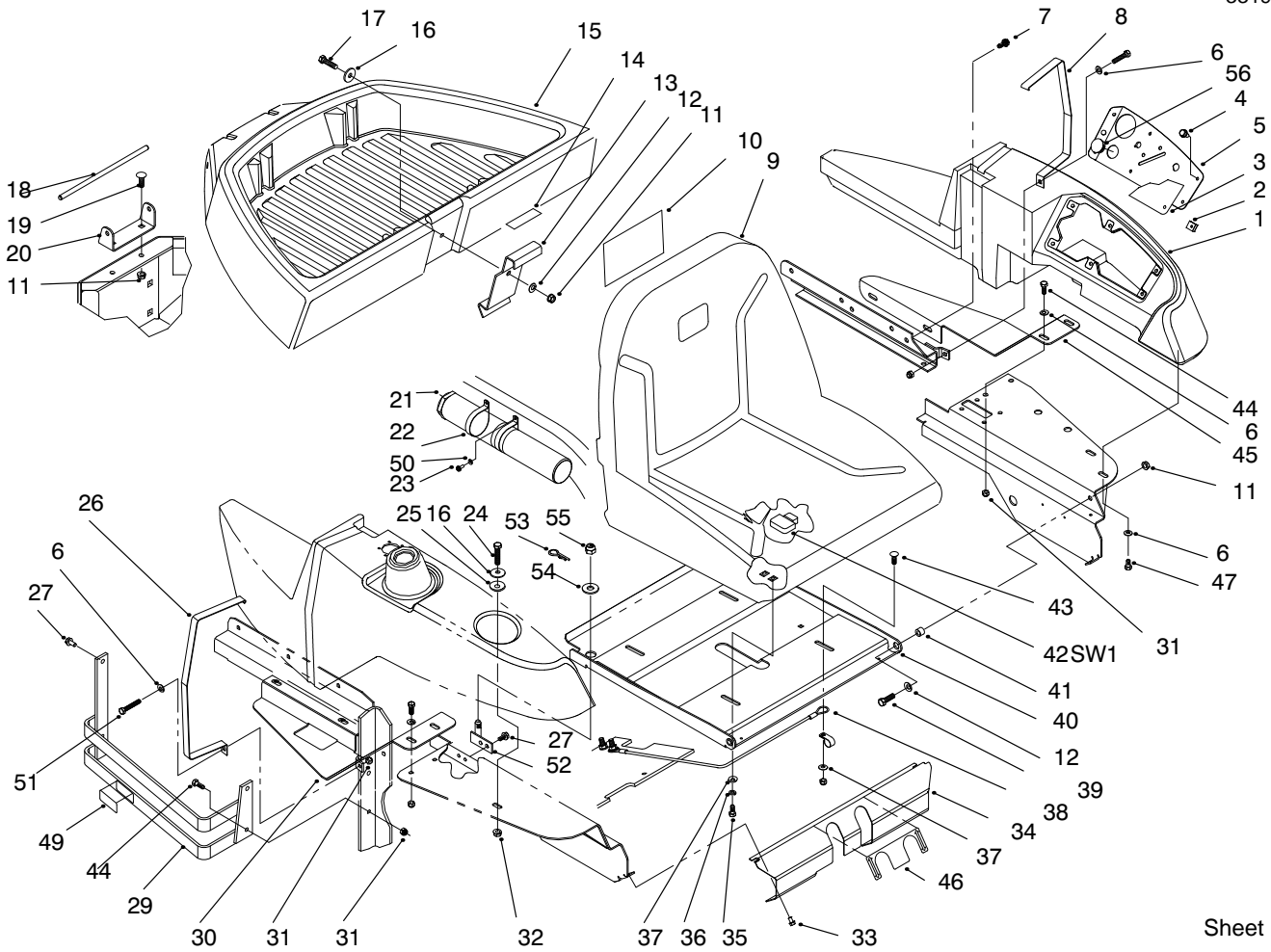
Sheet No.: 6

## Hydraulic System

Ref. No.	Part No.	Qty.	Description
1	340-89	2	Fitting-Hydraulic
1:1	237-30	2	O-Ring
1:2	237-80	2	O-Ring
2	94-4714	2	Hose ASM-Hyd
3	3274-83	2	Screw-HSH
4	94-4678	2	Arm-Pump Control
5	94-4701-03	1	Plate-Control
6	322-5	4	Screw-HH
7	94-4702-03	1	Plate-Control
8	94-4712	1	Hose ASM-Hyd
9	67-8110	1	Filter-Oil
10	340-157	1	Fitting-Hydraulic
10:1	237-30	1	O-Ring
10:2	237-79	1	O-Ring
11	86-9080	1	Head-Filter
12	340-98	2	Fitting-Hydraulic
12:1	237-30	2	O-Ring
12:2	237-79	2	O-Ring
13	94-4711	2	Hose ASM-Hyd
14	94-4710	1	Hose ASM-Hyd
15	94-9525-03	1	Angle-Mount
17	3234-4	2	Screw-HH
18	322-4	2	Screw-HH
19	94-4713	1	Hose ASM-Hyd
20	340-94	1	Tee
20:1	237-22	2	O-Ring

Ref. No.	Part No.	Qty.	Description
20:2	237-42	1	O-Ring
21	94-4709	1	Hose ASM-Hyd
23	94-4642-03	1	Strap-Hydraulic Tank
24	3290-126	1	Screw-Hfh
25	3256-23	1	Washer-Flat
26	3296-29	9	Nut-Lock
27	93-4365	1	Oil Cap
28	92-1705	1	Screen-Filter
29	94-4700	1	Tank-Hydraulic
31	340-105	3	Fitting-Elbow
31:1	237-30	3	O-Ring
31:2	237-80	3	O-Ring
32	340-97	2	Fitting-Hydraulic
32:1	237-22	2	O-Ring
32:2	237-78	2	O-Ring
33	340-4	4	Fitting-Hydraulic
33:1	237-30	4	O-Ring
33:2	237-79	4	O-Ring
34	32128-42	4	Nut-Hex Flange
35	324-5	4	Screw-HH
36	340-77	1	Fitting-Hydraulic
36:1	237-22	1	O-Ring
36:2	237-42	1	O-Ring
37	98-1957	2	Pump-Hydraulic
38	94-4705	2	Hose ASM
39	3274-93	8	Screw-HSH





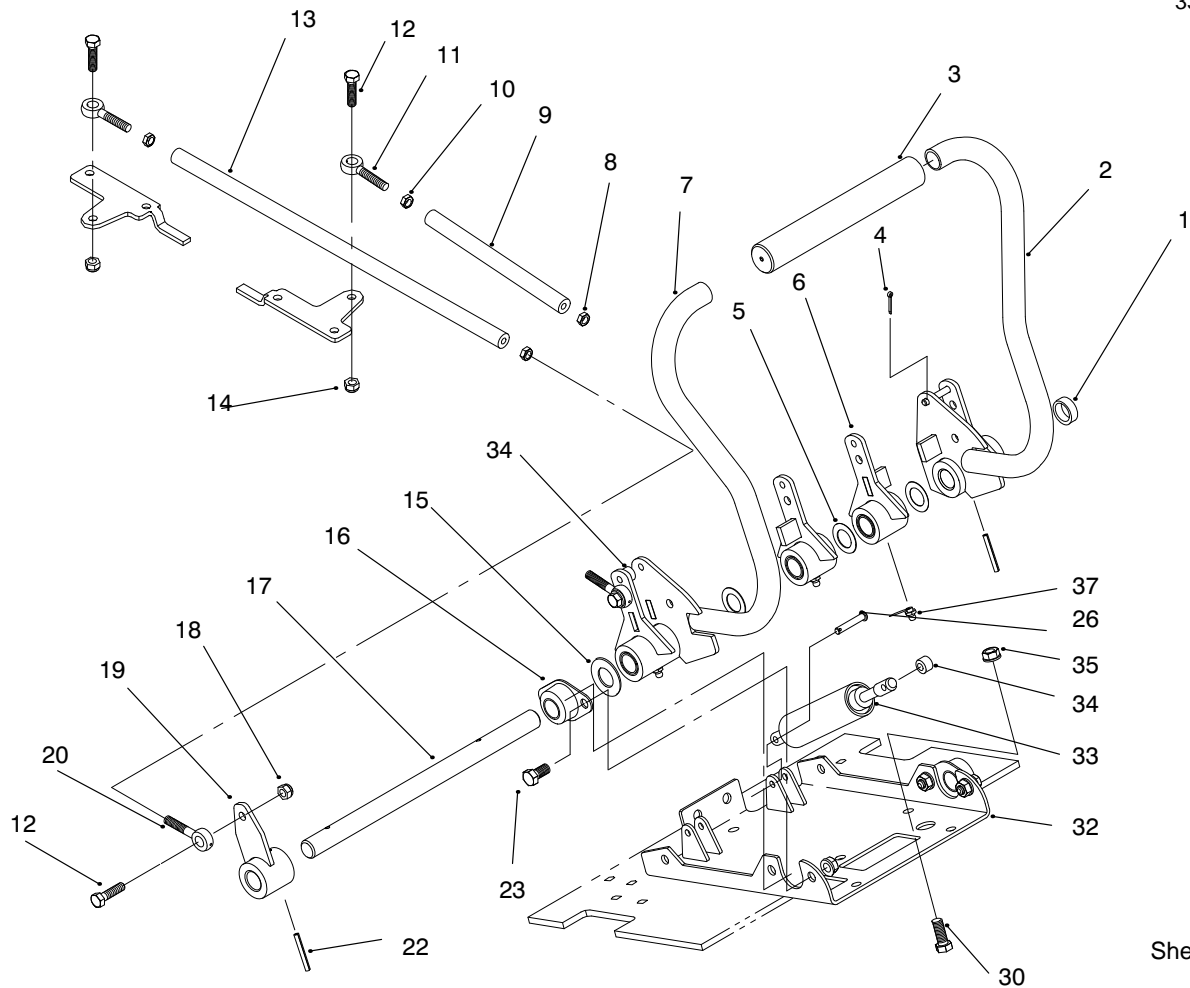
Sheet No.: 7

## Seat And Fenders

Ref. No.	Part No.	Qty.	Description
1	94-4698	1	Console
2	95-1962	6	Clip
3	98-4366	1	Decal-Instrument
4	32144-124	6	Screw-PPH
5	98-4365-03	1	Panel-Instrument
6	3256-23	8	Washer-Flat
7	32144-11	4	Screw-TAP
8	94-9488-03	1	Strap-Console
9	94-9567	1	Seat
10	93-7340	1	Decal-Toro
11	3296-39	5	Nut-Lock
12	3256-24	3	Washer-Flat
13	94-4672-03	1	Latch
14	98-1306	1	Decal-No Riders
15	94-4699	1	Box-Utility
16	63-8410	2	Washer-Flat
17	323-8	1	Screw-HH
18	94-9496	1	Pin-Pivot
19	3231-2	2	Screw-CARR
20	94-4721-03	1	Hinge
21	74-0720	1	Tube-Manual
22	2412-120	2	Clamp-R
23	3269-8	2	Rivet
24	323-9	1	Screw-HH
25	240-11	1	Grommet
26	94-4799-03	1	Strap-Fuel Tank

Ref. No.	Part No.	Qty.	Description
27	32144-14	4	Screw-HWH
28	322-10	1	Screw-HH
29	98-1953-03	1	Bumper ASM
29	98-1995	1	Bumper
30	94-4798-01	1	Plate-Tank Support
31	3296-29	9	Nut-Lock
32	3290-357	1	Nut-Lock Flange
33	32144-4	4	Screw-TAP
34	94-9491-01	1	Plate-Cover
35	322-3	4	Screw-HH
36	3253-4	4	Washer-Lock
37	3256-2	5	Washer-Flat
38	115850	1	Cable-Seat
39	323-7	2	Screw-HH
40	94-9529-01	1	Plate-Seat
41	52-2480	2	Spacer
42	38-1420	1	Switch-Seat
43	3230-2	1	Screw-CARR
44	322-4	6	Screw-HH
45	94-4635-01	1	Plate-Console Support
46	98-1313	1	Decal-Operation
47	322-2	2	Screw-HH
49	93-9198	1	Decal-Warning
50	3256-21	2	Washer-Flat
51	322-11	1	Screw-HH



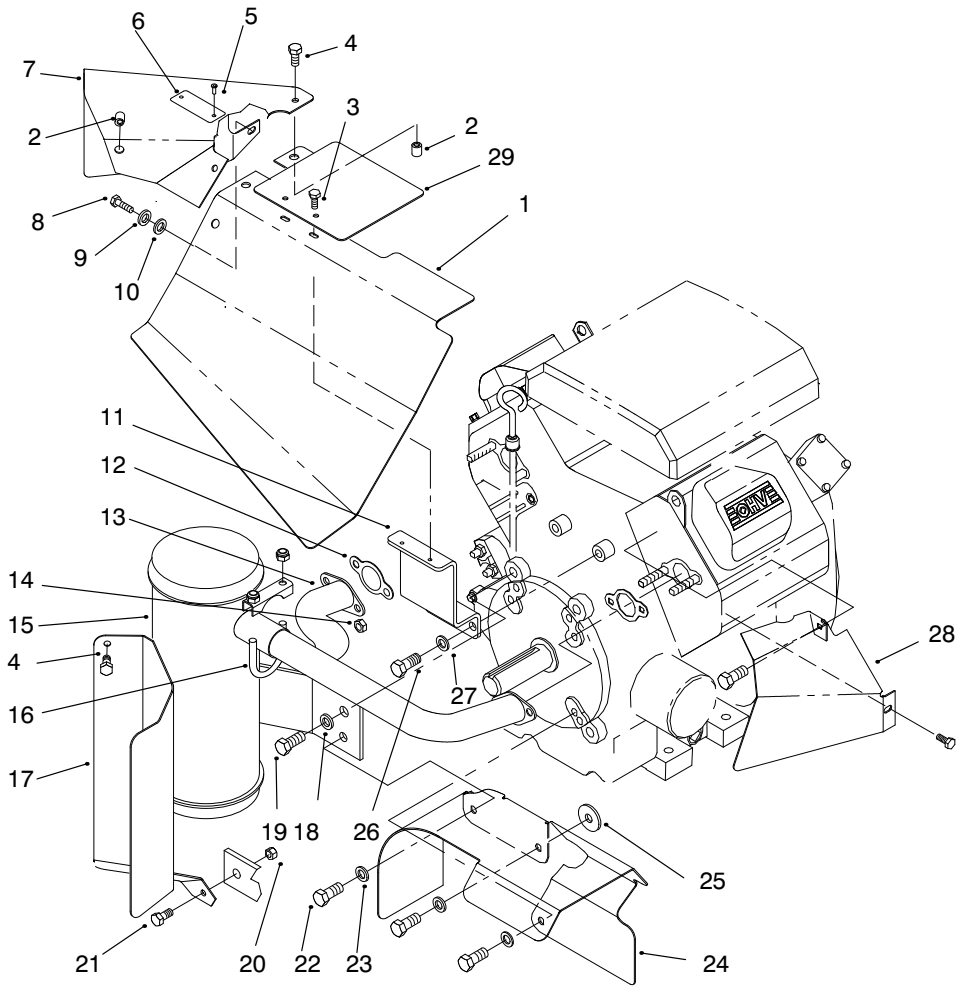


Sheet No.: 8

## Steering Controls

Ref. No.	Part No.	Qty.	Description
1	94-9524	1	Spacer-Control
2	94-9517-03	1	Handle-Control LH
3	94-9490	2	Grip-Cushion
4	3272-4	4	Pin-Cotter
5	9202574	A/R	Washer-Flat
6	94-9552	2	Center Control ASM
7	94-9551	1	Handle-Control RH
8	3220-20	2	Nut-Hex Jam
9	94-4717	1	Rod-Control
10	3220-2	2	Nut-Jam
11	2411-52	2	Rod-End RH
12	322-5	4	Screw-HH
13	94-4718	1	Rod-Control
14	3296-29	2	Nut-Lock
15	3256-39	1	Washer-Flat
16	27-2320	2	Bearing
17	94-9515	1	Shaft-Control
18	3296-47	2	Nut-Lock
19	94-9594-03	1	Hub-Control
20	2411-53	2	Rod-End LH
22	32121-103	2	Pin-Spring
23	323-4	4	Screw-HH
26	283-66	4	Pin-Clevis
30	323-6	3	Screw-HH
32	94-9591-03	1	Mount-Channel
33	94-9596	2	Damper-Control

Ref. No.	Part No.	Qty.	Description
34	94-9593	2	Spacer-Damper
35	3296-39	7	Nut-Lock
37	302-5	3	Fitting-Grease

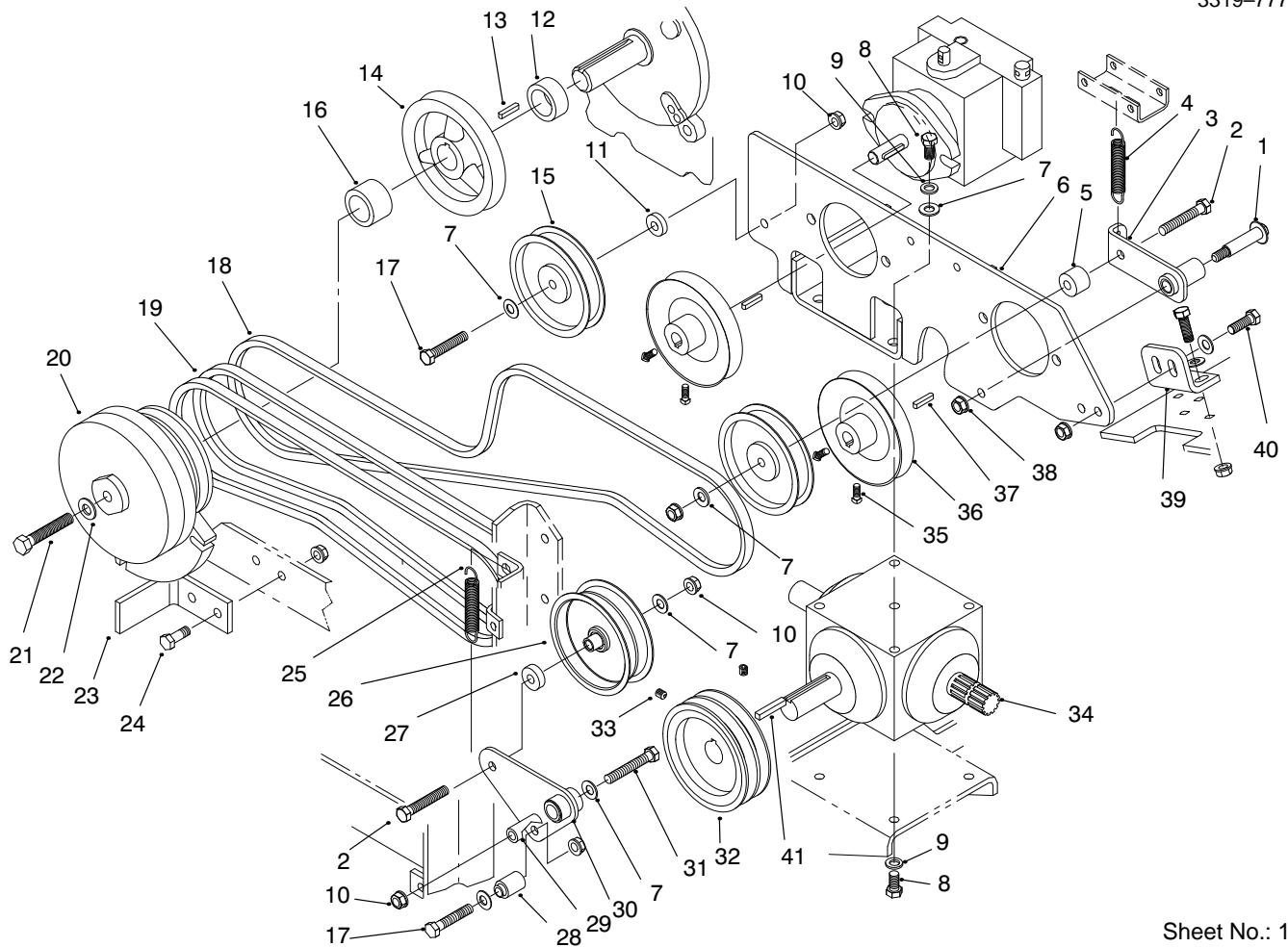


Sheet No.: 9

## Heat Shields And Exhaust

Ref. No.	Part No.	Qty.	Description
1	98-1967	1	Top Heat Baffle ASM
3	12-5450	2	Screw-Thread Forming
4	3234-4	4	Screw-HH
7	98-1968	1	Rear Heat Baffle ASM
8	42-9430	1	Bolt w/Washer
9	48-8020	1	Washer-Lock
10	48-8010	1	Washer-Flat
11	94-9561-03	1	Bracket-Manifold Shield
12	93-0350	2	Gasket-Exhaust
13	94-9494	1	Manifold
14	92-6780	4	Nut-HHF
15	94-9495	1	Muffler
16	2112-11	1	Clamp-Muffler
17	98-1329	1	Baffle-Heat
18	3253-6	1	Washer-Lock
19	324-4	1	Screw-HH
20	3296-42	1	Nut-Lock
21	321-4	1	Screw-HH
22	323-5	3	Screw-HH
23	3253-5	3	Washer-Lock
24	98-1326	1	Baffle-Heat
25	2844	1	Washer-Flat
26	33114-020	2	Screw-HH
27	48-9570	2	Washer-Lock

Ref. No.	Part No.	Qty.	Description
28	98-1349	1	Baffle-Heat
29	98-1979	1	Panel-Access



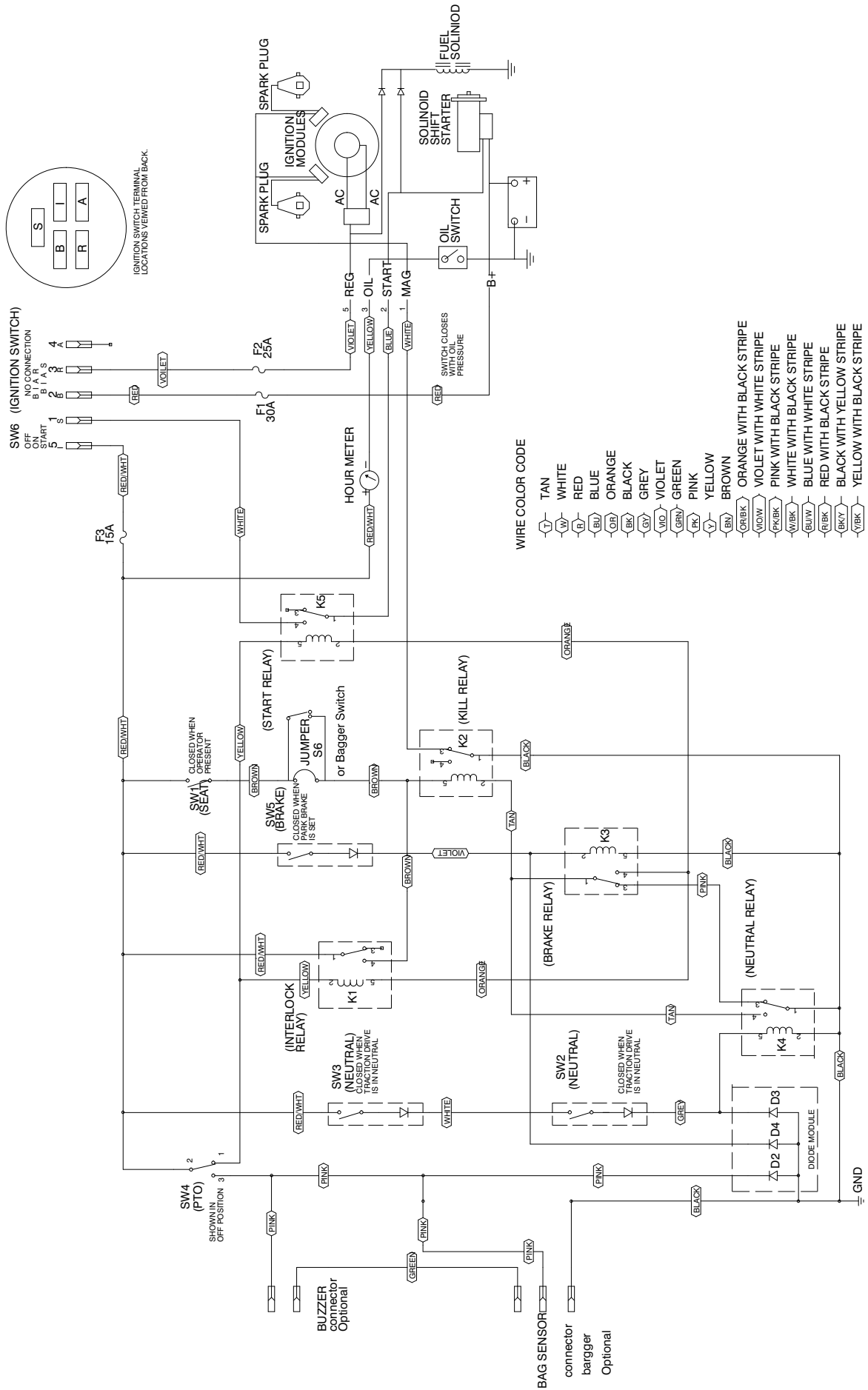
Sheet No.: 10

## Drive Systems

Ref. No.	Part No.	Qty.	Description
1	27-6230	1	Bolt-Wheel
2	323-11	2	Screw
3	95-1950	1	Arm ASM
4	94-9599	1	Spring-Extension
5	94-4792	1	Spacer-Idler Arm
6	94-4658-03	1	Pump-Mount
7	3256-24	5	Washer-Flat
8	3234-1	8	Screw-HHF
10	3296-39	13	Nut-Lock
11	9202204	1	Washer
12	94-4688	1	Spacer-Engine Shaft
13	5-0698	1	Key
14	94-4628	1	Engine-Pulley
15	93-1622	2	Pulley-Idler
16	94-4689	1	Spacer-Engine Shaft
17	323-10	2	Screw-HH
18	94-4607	1	Belt-Pump Drive
19	94-4608	1	Belt-PTO
20	94-4632	1	Clutch ASM
21	3212-10	1	Screw
22	3256-25	1	Washer-Flat
23	98-1301-03	1	Stop-Clutch
24	323-6	2	Screw-HH
25	88-6460	1	Spring - Extension
26	66-4210	1	Pulley-Idler
27	94-4685	1	Spacer-Idler

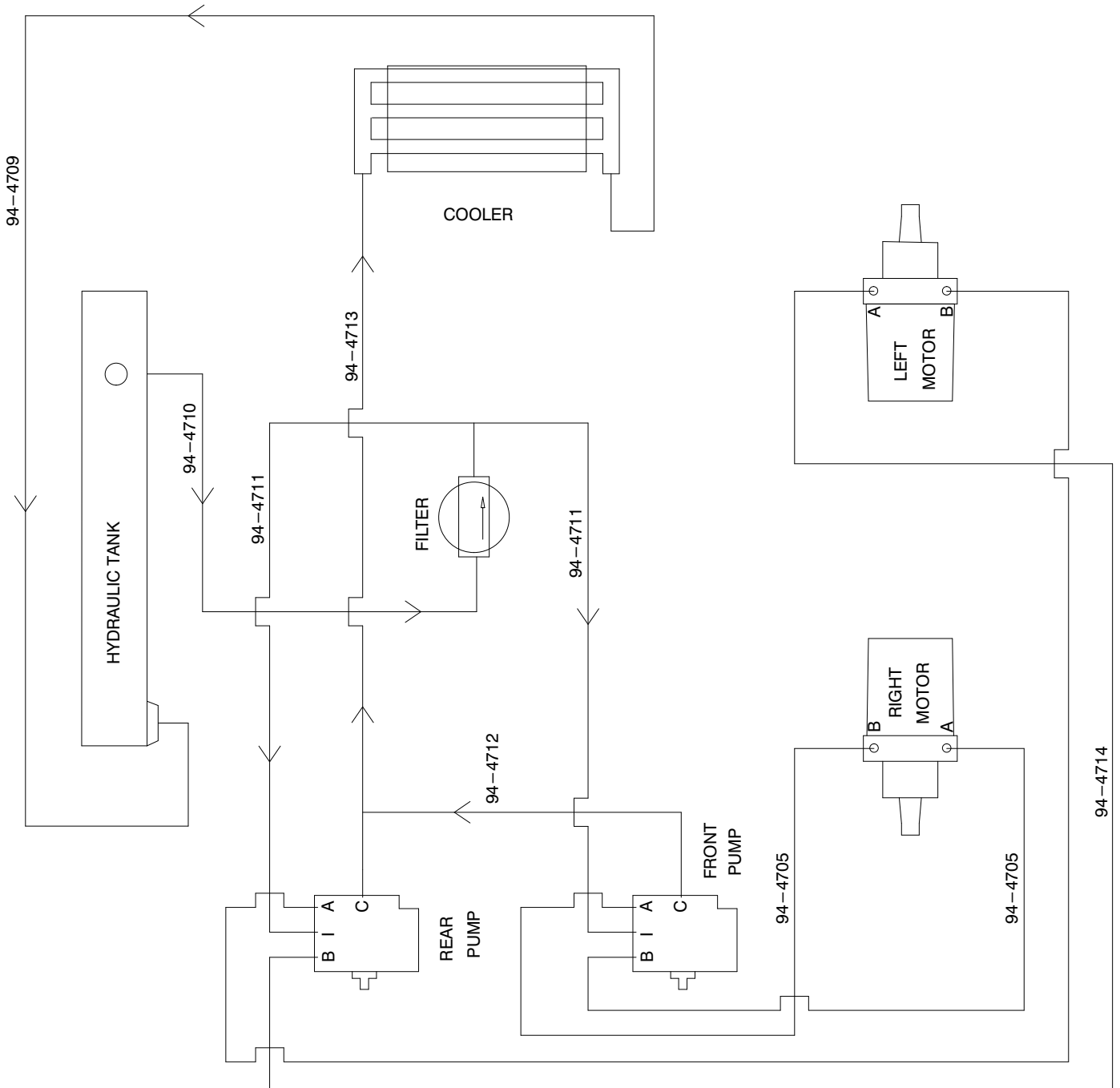
Ref. No.	Part No.	Qty.	Description
28	95-1967	1	Spacer-Spring
29	114511	1	Spacer
30	95-1968	1	Idler Arm ASM
31	323-31	1	Screw-Hhcs
32	94-4629	1	Clutch-Pulley
33	3246-3	2	Screw-HSH
34	94-4641	1	Gearbox-PTO Drive
35	3241-5	4	Set Screw
36	80-8170	2	Pulley-Pump
37	80-6090	2	Key-Square
38	3296-6	1	Nut-Lock
39	94-4787-03	1	Mount-Plate
40	3234-11	4	Screw-HHF
41	67-7490	1	Key
42	94-4722	1	Shaft-Drive
43	323-19	2	Screw-HH
44	32121-48	1	Pin-Roll

# Electric Schematic

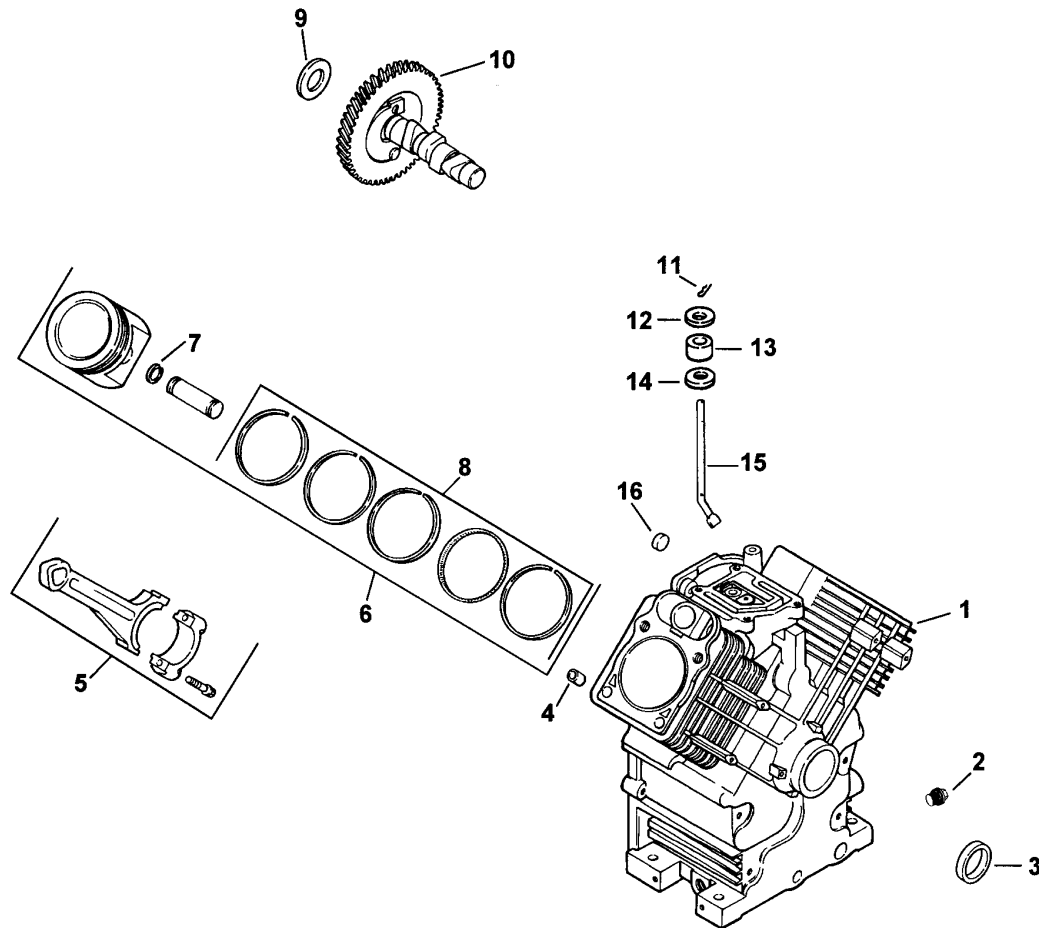


# Hydraulic Schematic

3319-777



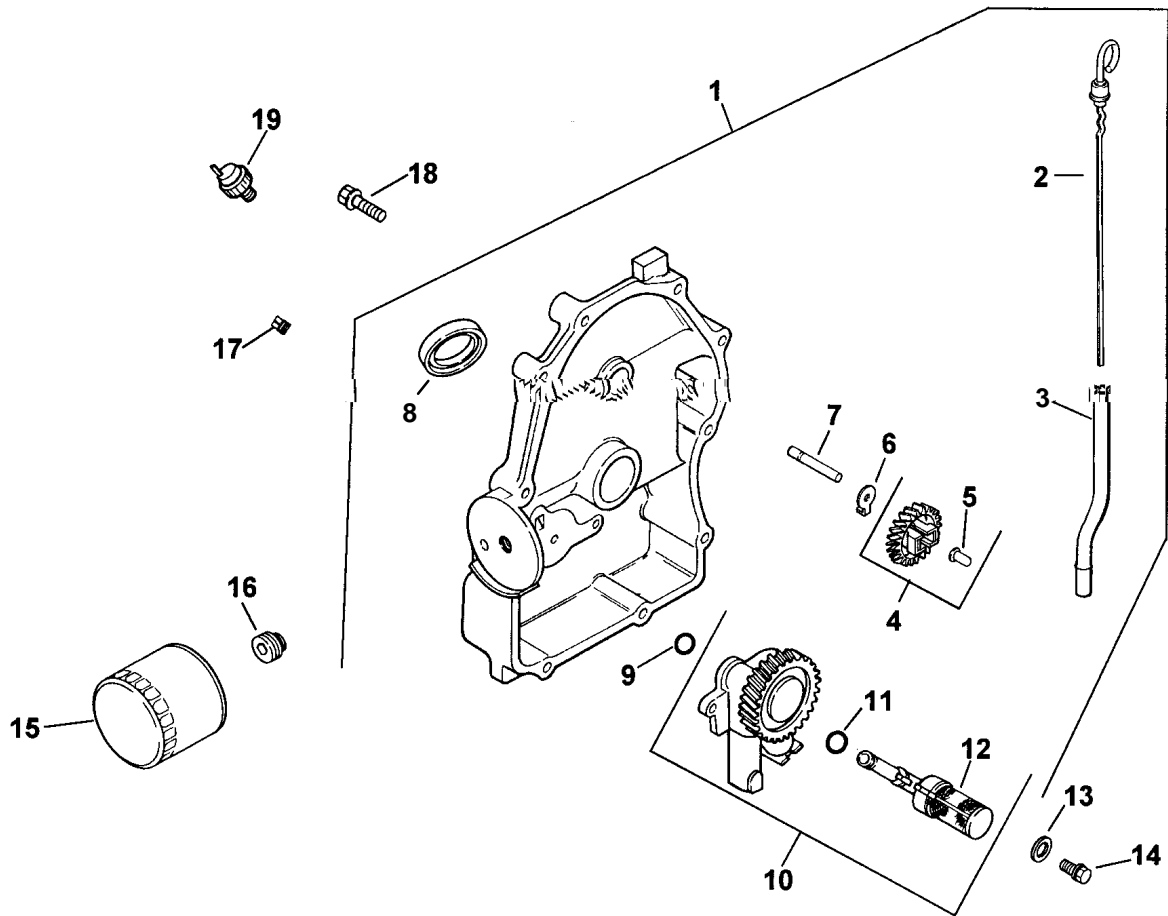




## Crankcase

Ref. No.	Description	Part No.	Ref. No.	Description	Part No.
1.	Cylinder Block (USE: Miniblock	24 782 01	15.	Shaft, governor cross	24 144 01
2.	Plug, hex. head 3/8 (2)	X-75-10	16.	Plug, cup	52 139 09
3.	Seal, oil front	24 032 01			
4.	Pin, dowel locating (6)	12 380 17			
5.	Connecting Rod (Std.) (2)	24 067 09			
	Connecting Rod (.25) (2)	24 067 10			
6.	Piston w/Ring Set (Std.) (2)	24 874 01			
	Piston w/Ring Set (.25) (2)	24 874 02			
	Piston w/Ring Set (.50) (2)	24 874 03			
7.	Retainer, piston pin (4)	24 018 01			
8.	Ring Set (Std.) (2)	24 108 01			
	Ring Set (.25) (2)	24 108 02			
	Ring Set (.50) (2)	24 108 03			
9.	Shim, camshaft (A.R.) red	12 422 09			
	Shim, camshaft (A.R.) black	12 422 13			
	Shim, camshaft (A.R.) white	12 422 07			
	Shim, camshaft (A.R.) blue	12 422 08			
	Shim, camshaft - yellow	12 422 10			
	Shim, camshaft (A.R.) green	12 422 11			
	Shim, camshaft (A.R.) gray	12 422 12			
10.	Camshaft	24 012 05			
11.	Pin, hitch	12 380 04			
12.	Washer, flat	M-0631005			
13.	Seal, governor cross shaft	12 032 01			
14.	Washer, plain 1/4	X-25-102			

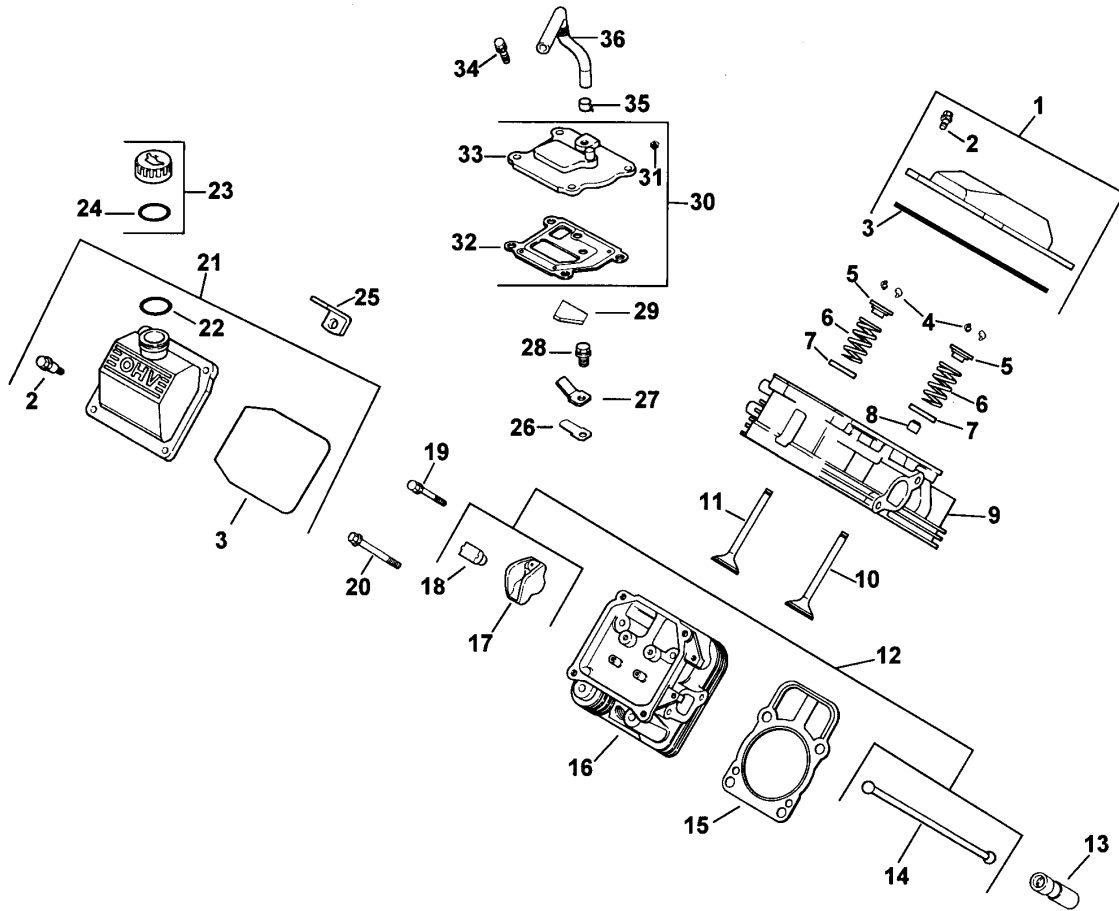
Kohler Engine CH20S 64582  
Obtain Parts From Kohler



## Oil Pan / Lubrication

Ref. No.	Description	Part No.	Ref. No.	Description	Part No.
1.	Plate, closure Asm (Inc 2-12)	24 009 82			
2.	Dipstick	24 038 06			
3.	Tube, dipstick	24 123 08			
4.	Kit, governor gear (Includes 5)	24 043 12			
5.	Pin, governor regulating	12 380 01			
6.	Tab, locking	52 448 02			
7.	Shaft, governor gear	12 144 02			
8.	Seal, oil (PTO end)	52 032 08			
9.	O-Ring	24 153 08			
10.	Oil pump Asm (Incl. 11-12)	24 393 10			
11.	O-Ring, oil pick-up	24 153 01			
12.	Pick-up, oil	24 381 04			
13.	Washer, plain 6mm (2)	M-0631005			
14.	Screw, hex. flange M6x1.0x25 (2)	M-0645025			
15.	Filter, oil	12 050 01			
16.	Nipple, oil filter	24 136 01			
17.	Plug, pipe 1/8"	X-75-23			
18.	Screw, hex. flange M8x1.25x45 (10)	24 086 16			
19.	Switch, pressure Decal, oil sentry	52 099 06 25 113 05			

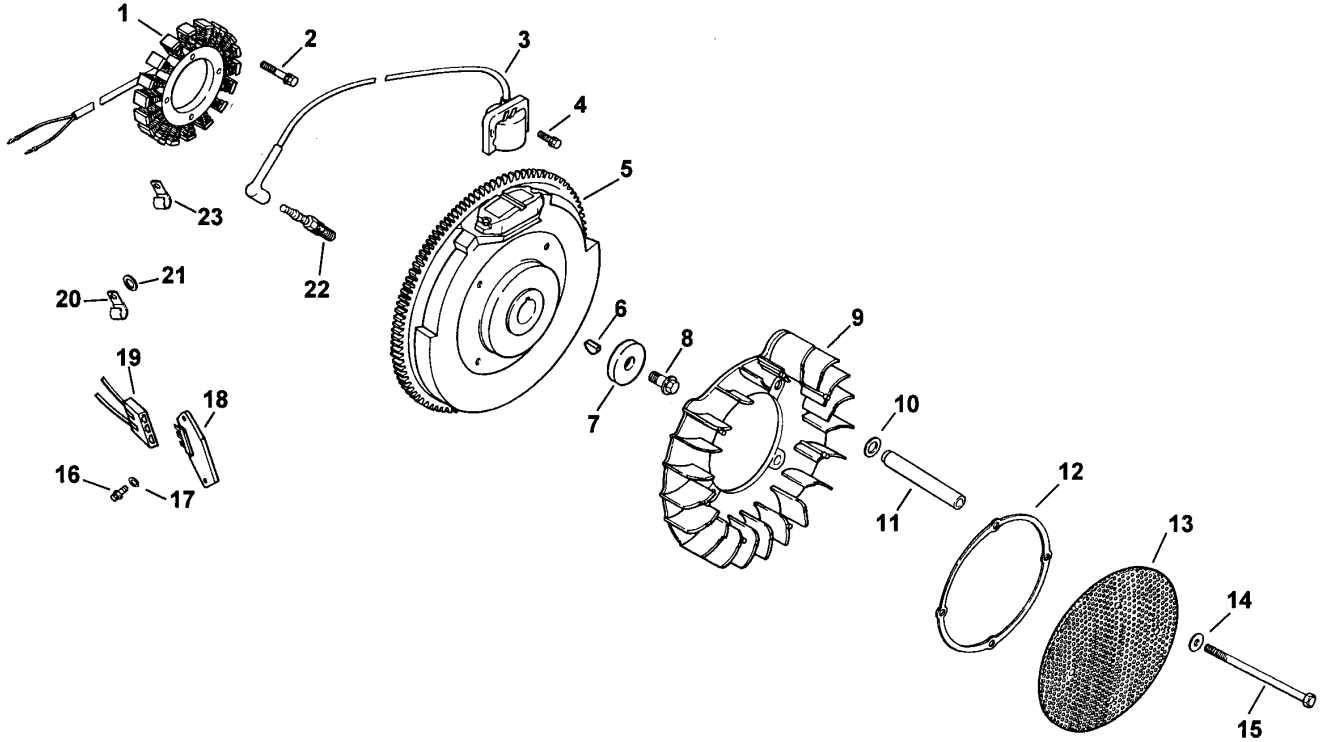
Kohler Engine CH20S 64582  
Obtain Parts From Kohler



## Head / Valve / Breather

Ref. No.	Description	Part No.	Ref. No.	Description	Part No.
1.	Kit, valve cover – plain (Incl. 2–3)	24 755 74	21.	Kit, valve cover – oil fill (Incl. 2,3,22)	24 755 75
2.	Screw, shoulder (4)	24 086 32	22.	O–Ring	24 153 09
3.	O–Ring, valve cover	24 153 16	23.	Kit, oil fill cap (Incl. 24)	24 755 46
4.	Kit, retainer (4)	12 755 03	24.	O–Ring, oil fill cap	24 153 03
5.	Cap, valve spring (4)	12 173 01	25.	Strap, lifting	24 445 01
6.	Spring, valve (4)	24 089 02	26.	Reed, breather	24 402 03
7.	Retainer, spring (4)	235011	27.	Retainer, breather reed	12 018 01
8.	Seal, valve stem (2)	24 032 05	28.	Screw, hex. flange M5x0.8x10	M–0545010
9.	Head Asm, #1 cylinder	24 318 09	29.	Filter, breather	24 050 01
10.	Valve, intake ( Std.) (2)	24 017 01	30.	Kit, breather (Incl. 31–33)	24 033 01
	Valve, intake (.25) (2)	24 017 02	31.	Plug, allen head 1/8 pipe	X–75–23
11.	Valve, exhaust (Std.) (2)	24 016 01	32.	Gasket, breather	24 041 23
	Valve, exhaust (.25) (2)	24 016 02	33.	Cover, breather	24 096 02
12.	Kit, valve train (Incl. 14,17,18)	24 755 66	34.	Screw, hex. flange M6x1.0x20 (4)	M–0645020
13.	Lifter, valve (4)	12 351 02	35.	Clamp, breather	X–426–9
14.	Rod, push (4)	24 411 05	36.	Hose, breather	24 326 06
15.	Gasket, cylinder head (2)	24 041 08			
16.	Head Asm, #2 cylinder	24 318 10			
17.	Arm, rocker (4)	25 186 01			
18.	Pivot, rocker arm (4)	24 599 01			
19.	Screw, hex. flange M6x1.0x34 (4)	M–0640034			
20.	Screw, hex. flange M10x1.5x90 (8)	12 086 16			

Kohler Engine CH20S 64582  
Obtain Parts From Kohler

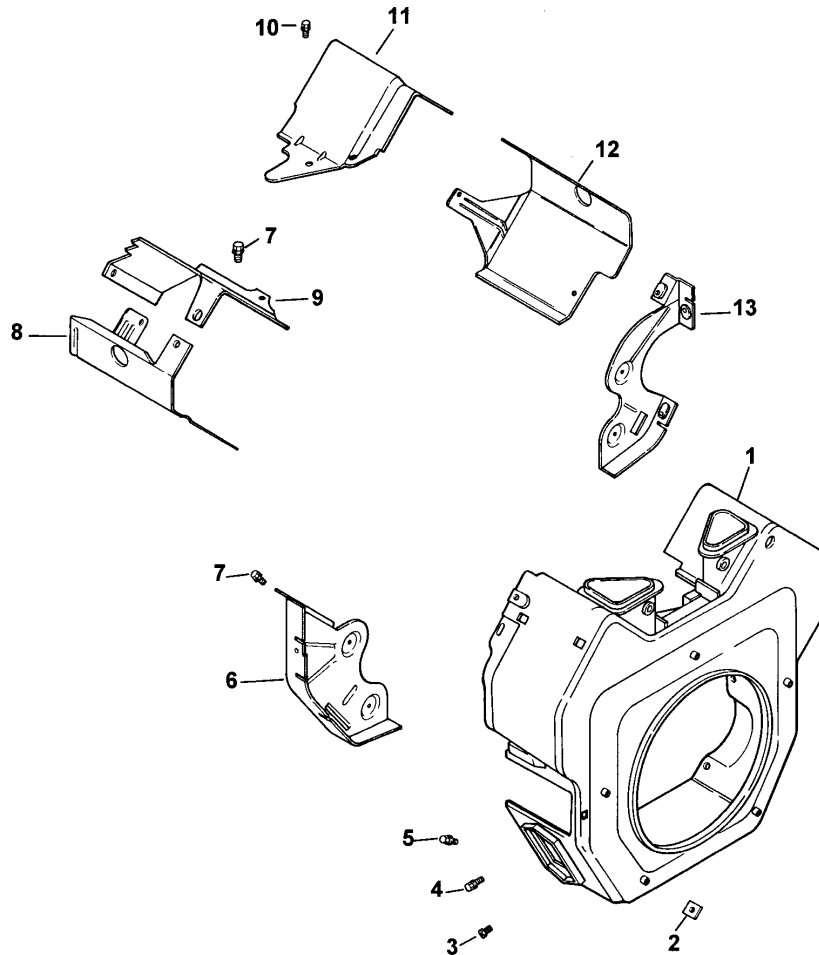


## Ignition / Electrical

Ref. No.	Description	Part No.
1.	Stator – 15 amp	24 085 03
2.	Screw, hex. cap M5x0.8x25 (2)	M-0548025
3.	Module, ignition (2)	24 584 01
4.	Screw, hex. flange (4)	M-0545020
5.	Flywheel	24 025 01
6.	Key	X-42-15
7.	Washer, plain 3/8	12 468 03
8.	Screw, hex. flange M10x1.5x46	12 086 14
9.	Fan	24 157 03
10.	Washer, spring 10 mm (4)	24 468 11
11.	Spacer, grass screen (4)	24 112 14
12.	Ring, support	24 141 06
13.	Screen, grass	24 162 25
14.	Washer, plain (4)	X-25-53
15.	Screw, hex. cap M6x1.0x100 (4)	M-0603100

Ref. No.	Description	Part No.
16.	Screw, phillips hd. 1 1-16x7/8 (2)	24 086 18
17.	Washer, plain 3/16 (2)	X-25-92
18.	Rectifier-regulator 15 amp	25 403 03
19.	Connector	236602
20.	Clip, cable	235173
21.	Washer, plain 1/4	X-25-63
22.	Spark Plug (2)	12 132 02
23.	Clip, cable	48 154 02
	Lead, black, (4" – 18 gauge – insulated grip barrel eyelet terminals)	25 518 28
	Harness, wiring	24 176 40
	Bracket, stator wire	24 126 71
	Screw, set (adjusts grass scraper blade)	25 086 43
	Washer, plain ground	X-25-63

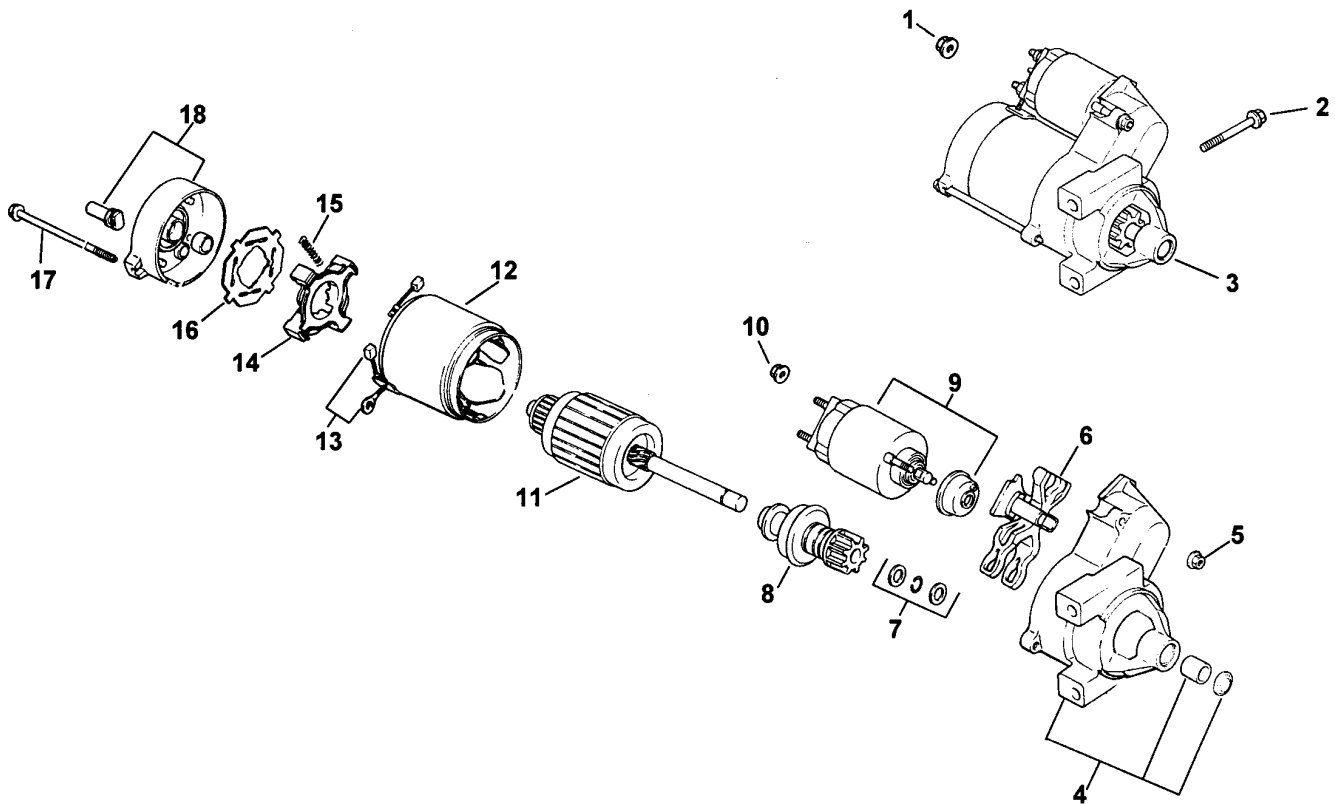
Kohler Engine CH20S 64582  
Obtain Parts From Kohler



## Blower Housing And Baffles

Ref. No.	Description	Part No.	Ref. No.	Description	Part No.
1.	Housing, blower	54 027 03			
2.	Nut, plastic (2)	24 100 01			
3.	Screw, hex. flange M5x0.8x16	M-0551016			
4.	Screw, hex. flange (5) M5x0.8x16	M-0545016			
5.	Screw, hex. flange (2) M5x0.8x20	M-0545020			
6.	Plate, backing - #2 side	24 146 02			
7.	Screw, hex. flange M6x1.0x16 (6)	M-0645016			
8.	Baffle, cyl. barrel - #2 side	24 063 20			
9.	Baffle, valley - #2 side	24 063 17			
10.	Screw, hex. flange M5x0.8x10 (2)	M-0545010			
11.	Baffle, valley - #1 side	24 063 24			
12.	Baffle, cyl. barrel - #1 side	24 063 30			
13.	Plate, backing - #1 side	24 146 08			
	Decal, HP	24 113 12			

Kohler Engine CH20S 64582  
Obtain Parts From Kohler



## Starter System

Ref. No.	Description	Part No.
1.	Nut, hex flange M8x1.25	M-0841080
2.	Screw, hex. flange M8x1.25x80 (2)	M-0839080
3.	Starter, solenoid shift Asm (Incl. 4-18)	24 098 01
4.	Drive, end cap	24 081 04
5.	Nut, starter (2)	52 100 10
6.	Lever, starter drive	12 090 10
7.	Kit, starter repair	24 755 84
8.	Drive, pinion	12 239 01
9.	Solenoid	52 435 02
10.	Nut, starter	52 100 09
11.	Armature, starter	12 170 04
12.	Frame	12 471 01
13.	Kit, brush & spring (Incl. 15)	52 221 01
14.	Holder, brush	52 323 03
15.	Spring, brush (4)	52 089 09
16.	Insulator	52 168 01
17.	Bolt, thru (2)	52 211 05
18.	Commutator, end cap	24 301 01

Ref. No.	Description	Part No.

Kohler Engine CH20S 64582  
Obtain Parts From Kohler

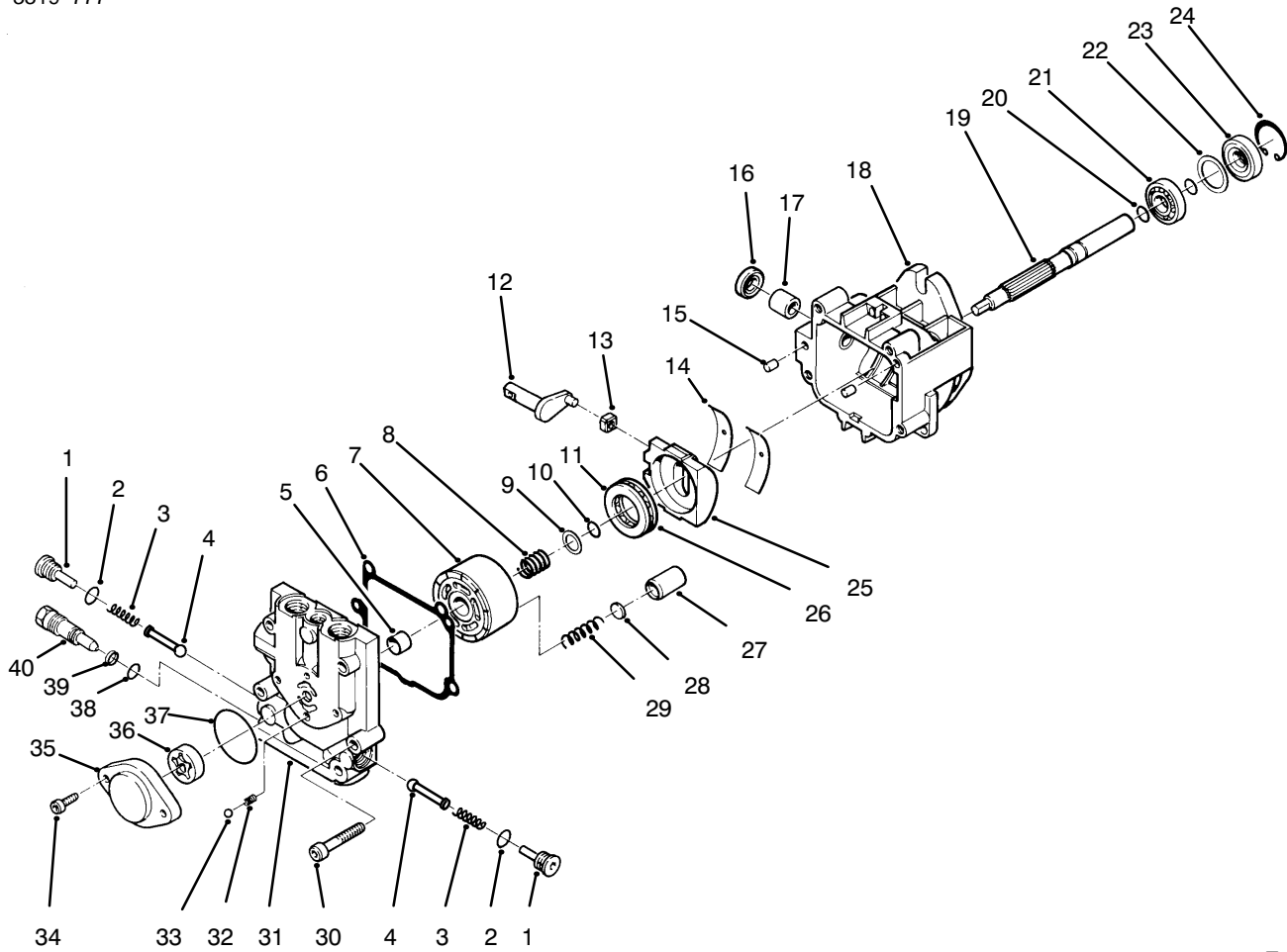












T-1236

## Hydraulic Pump Assembly No. 98-1957

Ref. No.	Part No.	Qty.	Description
1	80-6120	1	Check Valve Kit (Incl. Ref. #2-4)
2		2	Seal - O-Ring
3		2	Spring
4		2	Poppet
5		1	Journal - Bearing
6		1	Gasket - End Cap
7		1	Cylinder Block Kit (Incl. Ref. #8-10 & 27-29)
8		1	Spring
9		1	Washer
10		1	Ring - Retaining
11		1	Plate - Thrust
12		1	Arm - Trunnion
13		1	Guide - Slot
14		2	Cradle - Bearing
15		2	Pin
16		1	Seal - Lip
17		1	Journal - Bearing
18		1	Housing - Assembly (Incl. Ref. #16 & 17)
19		1	Shaft
20		2	Ring - Retaining
21		1	Bearing - Ball
22		1	Spacer

Ref. No.	Part No.	Qty.	Description
23		1	Seal - Lip
24		1	Ring - Retaining
25		1	Swashplate Assembly
26		1	Roller - Thrust
27		5	Piston
28		5	Washer - Thrust
29		5	Spring - Piston
30		4	Screw
31		1	End Cap Assembly (Incl. Ref. #5)
32		1	Ball
33		1	Spring
34		2	Screw
35		1	Housing - Charge Pump
36		1	Gerotor Assembly
37		1	Seal - O-Ring
38		1	Seal - O-Ring
39		1	Ring - Back-Up
40		1	Valve - Bypass
*	80-6110	1	Charge Relief Valve Kit (Incl. Ref. #32-33)
*	80-6130	1	Overhaul Seal Kit (Incl. Ref. #6, 10, 16, 20, 23 & 37-39)

\*Not Illustrated

# Toro Part Number Index

Part No.	Page No.	Ref. No.	Qty.	Description
2844	10	25	1	Washer-Flat
8830	1	34	1	Retainer-"J"
101884	3	2:1	2	Nut-Hex
102950	3	3:2	1	Washer
105805	3	3:1	1	Nut
106948	3	19	1	Tray-Battery
106950	4	23	2	Bushing
111216	3	2	1	Switch-Ignition
113010	3	12	1	Hold Down
113050	3	5	1	Cover-Switch
113179	3	3:3	1	Nut
114511	11	29	1	Spacer
115850	7	38	1	Cable-Seat
115877	3	13	1	Battery
116397	3	32	5	Relay
9201604	3	2:2	1	Washer-Lock
9202204	11	11	1	Washer
9202574	9	5	A/R	Washer-Flat
5-0698	11	13	1	Key
10-6850	4	14	2	Drum Brake
10-6870	4	15	2	Hub-Wheel
12-5450	10	3	2	Screw-Thread Forming
24-0760	2	10	1	Exchanger-Heat
26-3790	4	16	2	Nut-Lock
27-2320	9	16	2	Bearing
27-6230	11	1	1	Bolt-Wheel
28-3893	3	17	1	ASM-Wire
28-8080	3	14	1	Boot-Terminal
38-1420	7	42	1	Switch-Seat
42-9430	10	8	1	Bolt w/Washer
48-8010	10	10	1	Washer-Flat
48-8020	10	9	1	Washer-Lock
48-9570	10	27	2	Washer-Lock
52-2480	7	41	2	Spacer
52-5260	1	35	2	Rubber Pad
62-3340	25	3	3	Bearing Cup
62-3360	25	17	1	Bearing Cup
62-3370	25	16	1	Bearing Cone
62-3400	25	12	3	Seal
62-3420	25	7	A/R	Gasket (.015)
62-3430	25	8	A/R	Gasket (.005)
62-3440	25	9	A/R	Gasket (.003)
62-3490	25	13	3	Pipe Plug (Solid)
62-7650	2	19	1	Gasket
62-7770	3	36	2	Key-Ignition
63-8410	7	16	2	Washer-Flat
66-0120	2	3	1	Knob
66-4210	11	26	1	Pulley-Idler
67-7490	11	41	1	Key
67-8110	5	9	1	Filter-Oil
68-7070	25	11	1	Ring-Retaining
70-9840	4	17:5	4	Brake Shoe
70-9860	4	17:2	2	Cam Shaft
70-9870	4	17:1	2	Plate-Backing
70-9880	4	17:4	4	Spring-Return
71-1500	4	17	2	Brake ASM
74-0720	7	21	1	Tube-Manual
76-0800	6	45	2	Seal Kit-Wheel Motor
78-0020	3	4	1	Hourmeter
78-3320	3	4:1	1	Clamp-Hour Meter
80-6090	11	37	2	Key-Square
80-8170	11	36	2	Pulley-Pump

\*Not Illustrated

# Toro Part Number Index (cont.)

Part No.	Page No.	Ref. No.	Qty.	Description
84-2000	4	20	2	Bracket-Brake
85-6540	4	13	8	Stud
86-9080	5	11	1	Head-Filter
88-6460	11	25	1	Spring - Extension
92-1705	5	28	1	Screen-Filter
92-6287	3	11	1	Wire-Ground
92-6780	10	14	4	Nut-HHF
92-9811	3	3	1	Switch-Toggle
93-0307	1	12	1	Nut-Lock
93-0350	10	12	2	Gasket-Exhaust
93-1622	11	15	2	Pulley-Idler
93-3101	2	20	1	Gas Cap
93-4365	5	27	1	Oil Cap
93-5107	2	9	2	Fitting-Adapter
93-7340	7	10	1	Decal-Toro
93-9198	1	24	1	Decal-Warning
93-9198	7	49	1	Decal-Warning
94-4602	4	2	1	Lever-Brake
94-4607	11	18	1	Belt-Pump Drive
94-4608	11	19	1	Belt-PTO
94-4618-03	1	1	1	Support-Engine
94-4628	11	14	1	Engine-Pulley
94-4629	11	32	1	Clutch-Pulley
94-4632	11	20	1	Clutch ASM
94-4635-01	7	45	1	Plate-Console Support
94-4640	6	41	2	Motor-Hyd Wheel
94-4641	11	34	1	Gearbox-PTO Drive
94-4642-03	5	23	1	Strap-Hydraulic Tank
94-4647-01	1	17	1	Castor Fork
94-4658-03	11	6	1	Pump-Mount
94-4665	1	11	1	Dustcap
94-4672-03	7	13	1	Latch
94-4678	5	4	2	Arm-Pump Control
94-4685	11	27	1	Spacer-Idler
94-4688	11	12	1	Spacer-Engine Shaft
94-4689	11	16	1	Spacer-Engine Shaft
94-4696	3	31	1	Angle-Mount
94-4698	7	1	1	Console
94-4699	7	15	1	Box-Utility
94-4700	5	29	1	Tank-Hydraulic
94-4701-03	5	5	1	Plate-Control
94-4702-03	5	7	1	Plate-Control
94-4705	5	38	2	Hose ASM
94-4709	5	21	1	Hose ASM-Hyd
94-4710	5	14	1	Hose ASM-Hyd
94-4711	5	13	2	Hose ASM-Hyd
94-4712	5	8	1	Hose ASM-Hyd
94-4713	5	19	1	Hose ASM-Hyd
94-4714	5	2	2	Hose ASM-Hyd
94-4717	9	9	1	Rod-Control
94-4718	9	13	1	Rod-Control
94-4721-03	7	20	1	Hinge
94-4722	11	42	1	Shaft-Drive
94-4753	1	22	1	Tube-Spacer
94-4755	1	32	2	Pivot Pin ASM
94-4787-03	11	39	1	Mount-Plate
94-4792	11	5	1	Spacer-Idler Arm
94-4797-03	3	23	1	Channel-Mount Switch
94-4798-01	7	30	1	Plate-Tank Support
94-4799-03	7	26	1	Strap-Fuel Tank
94-6146	3	18	2	Retainer-Battery
94-9384	1	23:1	1	Tire

\*Not Illustrated

# Toro Part Number Index (cont.)

Part No.	Page No.	Ref. No.	Qty.	Description
94-9386	1	26:3	2	Wheel
94-9387	1	26:1	2	Tire
94-9460	3	25	1	Plate-Switch Mount
94-9461	2	16	1	Engine Kohler Ch20
94-9488-03	7	8	1	Strap-Console
94-9489-01	1	6	1	Housing-Spindle
94-9490	9	3	2	Grip-Cushion
94-9491-01	7	34	1	Plate-Cover
94-9494	10	13	1	Manifold
94-9495	10	15	1	Muffler
94-9496	7	18	1	Pin-Pivot
94-9499	2	24	1	Tube-Oil Drain
94-9502	2	26	1	Hose-Gas
94-9515	9	17	1	Shaft-Control
94-9517-03	9	2	1	Handle-Control LH
94-9524	9	1	1	Spacer-Control
94-9525-03	5	15	1	Angle-Mount
94-9529-01	7	40	1	Plate-Seat
94-9551	9	7	1	Handle-Control RH
94-9552	9	6	2	Center Control ASM
94-9553	2	21	1	Fuel Tank ASM
94-9556-03	2	5	1	Cooler Shroud ASM
94-9561-03	10	11	1	Bracket-Manifold Shield
94-9567	7	9	1	Seat
94-9573-01	4	26	2	Mount-Lever
94-9580	3	6	2	Clamp-J
94-9591-03	9	32	1	Mount-Channel
94-9593	9	34	2	Spacer-Damper
94-9594-03	9	19	1	Hub-Control
94-9596	9	33	2	Damper-Control
94-9597-03	2	18	1	Cover-Fuel Tank Opening
94-9598	1	3	1	Frame ASM
94-9599	11	4	1	Spring-Extension
95-1950	11	3	1	Arm ASM
95-1955	2	2	1	Control-Throttle
95-1956	1	31	1	Decal-Z320
95-1962	7	2	6	Clip
95-1967	11	28	1	Spacer-Spring
95-1968	11	30	1	Idler Arm ASM
98-1301-03	11	23	1	Stop-Clutch
98-1306	7	14	1	Decal-No Riders
98-1313	7	46	1	Decal-Operation
98-1319	2	22	1	Foam-Tank
98-1324	3	30	3	Switch-Interrupter
98-1326	10	24	1	Baffle-Heat
98-1329	10	17	1	Baffle-Heat
98-1340	25	6	1	Housing
98-1341	25	1	12	Screw
98-1343	25	4	3	Bearing-Cone
98-1346	25	2	3	Cap
98-1348	25	5	1	Gear LH
98-1349	10	28	1	Baffle-Heat
98-1953-03	7	29	1	Bumper ASM
98-1956	2	32	1	Control-Push Pull
98-1957	5	37	2	Pump-Hydraulic
98-1960	25	14	1	Shaft
98-1961	25	15	1	Gear RH
98-1962	25	10	1	Shaft
98-1967	10	1	1	Top Heat Baffle ASM
98-1968	10	7	1	Rear Heat Baffle ASM
98-1969-03	2	7	1	Cooler Shroud ASM
98-1971-03	2	30	1	Bracket-Front

\*Not Illustrated

# Toro Part Number Index (cont.)

Part No.	Page No.	Ref. No.	Qty.	Description
98-1972-03	2	15	1	Bracket-Rear
98-1979	10	29	1	Panel-Access
98-1982	3	39	1	Jumper
98-1985	8	52	1	Latch-ASM
98-1988	4	12	1	Torsion Shaft ASM
98-1990	4	8	1	Transfer Shaft ASM
98-1991	4	11	2	Link-Connect
98-1992	4	6	2	Link-Brake
98-1994	4	10	1	Brake Hub ASM
98-1995	7	29	1	Bumper
98-1996	4	25	2	Rod-Brake
98-1997	4	30	1	LH Brake Lever ASM
98-1998	4	24	1	RH Brake Lever ASM
98-3317	3	1	1	Harness-Wire
98-4351X	1	23:2	1	Wheel ASM
98-4361	1	36	1	Decal-Warning
98-4365-03	7	5	1	Panel-Instrument
98-4366	7	3	1	Decal-Instrument
98-4367	4	34	2	Clevis-Adjustable
98-4370	8	56	1	Plug-Dome
2112-11	10	16	1	Clamp-Muffler
232-27	1	23:3	1	Valve Stem
232-27	1	26:2	2	Valve Stem
237-22	5	20:1	2	O-Ring
237-22	5	32:1	2	O-Ring
237-22	5	36:1	1	O-Ring
237-30	5	1:1	2	O-Ring
237-30	5	10:1	1	O-Ring
237-30	5	12:1	2	O-Ring
237-30	5	31:1	3	O-Ring
237-30	5	33:1	4	O-Ring
237-42	5	20:2	1	O-Ring
237-42	5	36:2	1	O-Ring
237-78	5	32:2	2	O-Ring
237-79	5	10:2	1	O-Ring
237-79	5	12:2	2	O-Ring
237-79	5	33:2	4	O-Ring
237-80	5	1:2	2	O-Ring
237-80	5	31:2	3	O-Ring
240-11	7	25	1	Grommet
242-50	1	27	8	Nut-Lug
2411-52	9	11	2	Rod-End RH
2411-53	9	20	2	Rod-End LH
2412-39	2	12	4	R-Clamp
2412-93	3	28	1	R-Clamp
2412-98	2	29	2	Clamp-Hose
2412-120	7	22	2	Clamp-R
254-61	1	7	2	Cup-Bearing
254-62	1	8	1	Cone-Bearing
254-70	1	5	1	Bearing w/Cone & Seal
282-2	4	31	2	Pin-Clevis
283-1	4	5	8	Pin-Clevis
283-66	9	26	4	Pin-Clevis
288-4	2	23	1	Cap-Pipe
302-5	9	37	3	Fitting-Grease
321-4	3	16	2	Screw-HH
321-4	4	18	8	Screw-HH
321-4	10	21	1	Screw-HH
321-5	3	27	5	Screw-HH
322-2	7	47	2	Screw-HH
322-3	2	13	4	Screw-HH
322-3	3	22	4	Screw-HH

\*Not Illustrated

# Toro Part Number Index (cont.)

Part No.	Page No.	Ref. No.	Qty.	Description
322-3	4	4	4	Screw-HH
322-3	7	35	4	Screw-HH
322-4	5	18	2	Screw-HH
322-4	7	44	6	Screw-HH
322-5	5	6	4	Screw-HH
322-5	9	12	4	Screw-HH
322-7	6	44	1	Screw-HH
322-10	7	28	1	Screw-HH
322-11	7	51	1	Screw-HH
323-4	9	23	4	Screw-HH
323-5	10	22	3	Screw-HH
323-6	1	25	6	Screw-HH
323-6	9	30	3	Screw-HH
323-6	11	24	2	Screw-HH
323-7	7	39	2	Screw-HH
323-8	7	17	1	Screw-HH
323-9	2	25	4	Screw-HH
323-9	7	24	1	Screw-HH
323-10	11	17	2	Screw-HH
323-11	11	2	2	Screw
323-18	4	27	4	Screw-HH
323-19	11	43	2	Screw-HH
323-31	11	31	1	Screw-Hhcs
324-4	10	19	1	Screw-HH
324-5	5	35	4	Screw-HH
325-2	1	14	2	Screw
325-24	1	18	1	Screw-HH
3212-10	11	21	1	Screw
3217-27	3	4:3	2	Nut-HH
3220-2	4	33	2	Nut-Jam
3220-2	9	10	2	Nut-Jam
3220-3	2	4	1	Nut-Hex Jam
3220-7	1	9	1	Nut-Jam
3220-20	4	32	2	Nut-Hex Jam
3220-20	9	8	2	Nut-Hex Jam
3230-2	7	43	1	Screw-CARR
3231-2	7	19	2	Screw-CARR
3233-27	1	4	4	Screw-CARR
3234-1	11	8	8	Screw-HHF
3234-4	2	6	6	Screw-HH
3234-4	5	17	2	Screw-HH
3234-4	10	4	4	Screw-HH
3234-11	11	40	4	Screw-HHF
3241-5	11	35	4	Set Screw
3246-3	11	33	2	Screw-HSH
3250-29	2	17	5	Screw
3253-4	7	36	4	Washer-Lock
3253-5	10	23	3	Washer-Lock
3253-6	10	18	1	Washer-Lock
3255-25	3	4:2	2	Washer-Lock
3256-2	7	37	5	Washer-Flat
3256-8	1	13	1	Washer-Flat
3256-14	3	34	3	Washer-Flat
3256-21	7	50	2	Washer-Flat
3256-22	3	15	4	Washer-Flat
3256-23	3	26	2	Washer-Flat
3256-23	4	3	4	Washer-Flat
3256-23	5	25	1	Washer-Flat
3256-23	7	6	8	Washer-Flat
3256-24	4	28	1	Washer-Flat
3256-24	7	12	3	Washer-Flat
3256-24	11	7	5	Washer-Flat

\*Not Illustrated

# Toro Part Number Index (cont.)

Part No.	Page No.	Ref. No.	Qty.	Description
3256-25	11	22	1	Washer-Flat
3256-26	1	16	6	Washer-Flat
3256-28	1	21	2	Washer-Flat
3256-39	9	15	1	Washer-Flat
3257-42	6	40	2	Key-Woodruff
3258-166	2	31	2	Screw
3269-8	1	28	2	Rivet
3269-8	7	23	2	Rivet
3272-4	9	4	4	Pin-Cotter
3272-10	4	7	8	Pin-Cotter
3272-17	1	10	1	Pin-Cotter
3274-83	5	3	2	Screw-HSH
3274-93	5	39	8	Screw-HSH
3290-126	5	24	1	Screw-Hfh
3290-343	1	33	2	Pin-Cotter
3290-355	8	53	1	Pin-Hair
3290-357	7	32	1	Nut-Lock Flange
3290-378	2	28	A/R	Tie-Cable
3290-378	3	29	A/R	Tie-Cable
3290-378	6	42	A/R	Tie-Cable
3290-379	3	7	A/R	Tie-Cable
3296-2	3	33	3	Nut Lock
3296-6	11	38	1	Nut-Lock
3296-23	1	15	5	Nut-Lock
3296-23	6	45	8	Nut-Lock
3296-29	2	14	4	Nut-Lock
3296-29	3	24	4	Nut-Lock
3296-29	4	1	4	Nut-Lock
3296-29	5	26	9	Nut-Lock
3296-29	7	31	9	Nut-Lock
3296-29	9	14	2	Nut-Lock
3296-39	1	2	6	Nut-Lock
3296-39	2	27	4	Nut-Lock
3296-39	4	29	4	Nut-Lock
3296-39	7	11	5	Nut-Lock
3296-39	9	35	7	Nut-Lock
3296-39	11	10	13	Nut-Lock
3296-42	2	1	2	Nut-Lock
3296-42	3	21	5	Nut-Lock
3296-42	4	21	8	Nut-Lock
3296-42	10	20	1	Nut-Lock
3296-47	9	18	2	Nut-Lock
32103-22	3	10	4	Nut-Wing
32105-13	3	35	3	Screw-HH
32120-72	4	22	2	Ring-Retaining
32121-48	11	44	1	Pin-Roll
32121-93	4	9	1	Pin-Spiral
32121-103	9	22	2	Pin-Spring
32128-42	5	34	4	Nut-Hex Flange
32144-4	7	33	4	Screw-TAP
32144-10	2	11	2	Screw-HH
32144-11	7	7	4	Screw-TAP
32144-14	7	27	4	Screw-HWH
32144-74	3	9	2	Screw
32144-124	7	4	6	Screw-PPH
33114-020	10	26	2	Screw-HH
340-4	5	33	4	Fitting-Hydraulic
340-77	5	36	1	Fitting-Hydraulic
340-89	5	1	2	Fitting-Hydraulic
340-94	5	20	1	Tee
340-97	5	32	2	Fitting-Hydraulic
340-98	5	12	2	Fitting-Hydraulic

\*Not Illustrated

# Toro Part Number Index (cont.)

<b>Part No.</b>	<b>Page No.</b>	<b>Ref. No.</b>	<b>Qty.</b>	<b>Description</b>
340-105	5	31	3	Fitting-Elbow
340-157	5	10	1	Fitting-Hydraulic





