



Count on it.

Parts Catalog

Workman® GTX

Electric Utility Vehicle with Bucket Seat

Model No. 07043—Serial No. 40000000 and Up



Ordering Replacement Parts

To order replacement parts, please supply the part number, the quantity, and the description of each part desired.

Understanding Reference Numbers

Each identified part in an illustration has a reference number. The reference number for a part also appears in the parts list, along with other information about the part.

This catalog uses two special reference number formats, one to indicate parts in a service assembly and another to indicate the quantity of a given part in an illustration.

Service Assembly Reference Numbers

Parts in service assemblies have reference numbers in the form a:b. The a represents the reference number of the entire service assembly and the b represents a sequential number unique to each part within the service assembly.

For example, a wheel assembly might be identified by reference number 6, the tire by 6:1, the valve by 6:2, and the wheel by 6:3. When you order the assembly identified by reference number 6, you receive all parts identified by reference numbers 6:1, 6:2, and 6:3. However, you may also order any part individually. Reference numbers of this type appear in illustration and in parts lists.

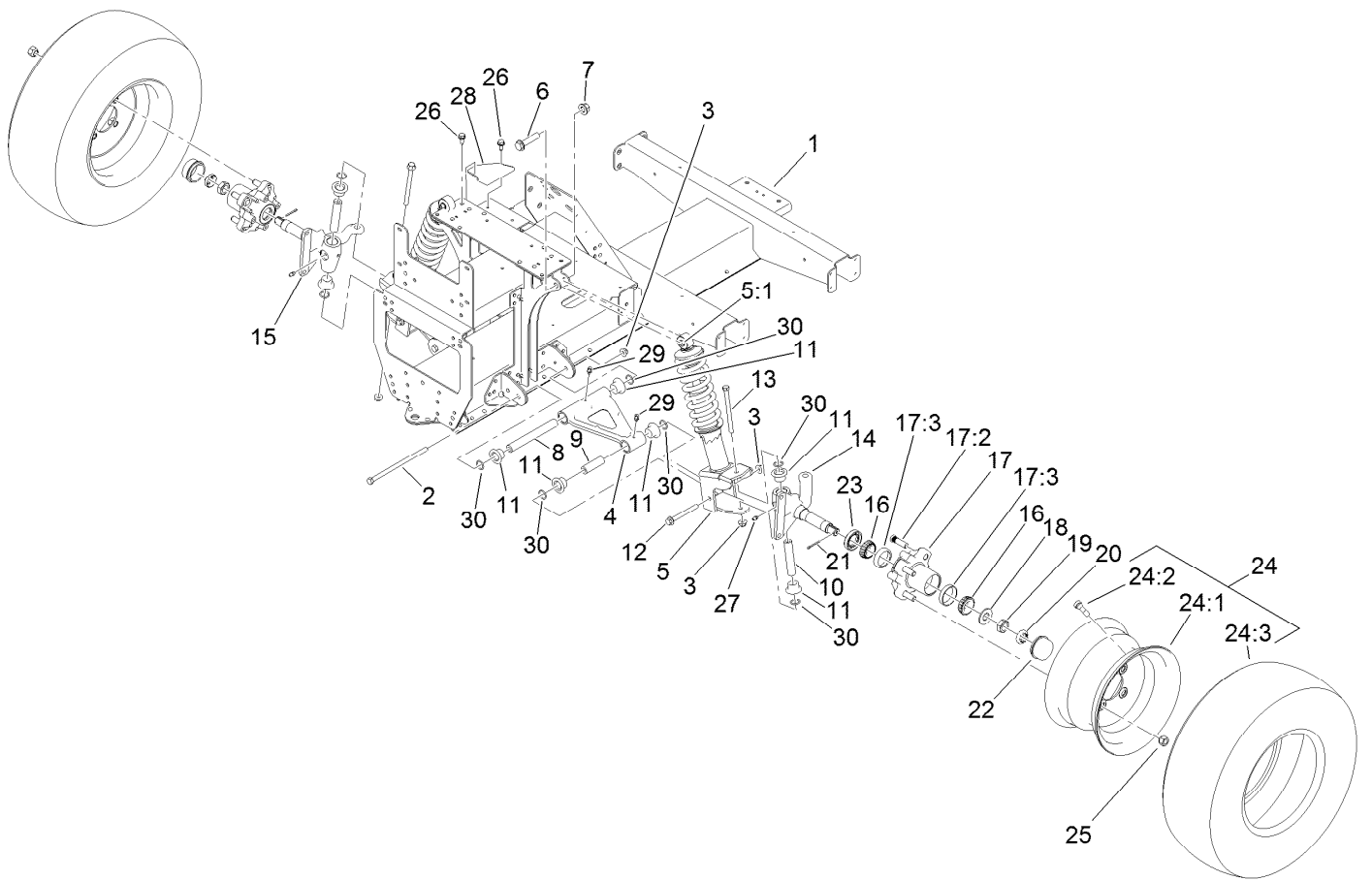
Reference Numbers Indicating Quantity

In an illustration, if a reference number indicates more than one part, the reference number has the form nX y. The n represents the quantity of the part, the X is the multiplication symbol, and the y represents the reference number.

For example, in an illustration, the reference number 2X 37 means that two of the parts identified by reference number 37 are indicated.

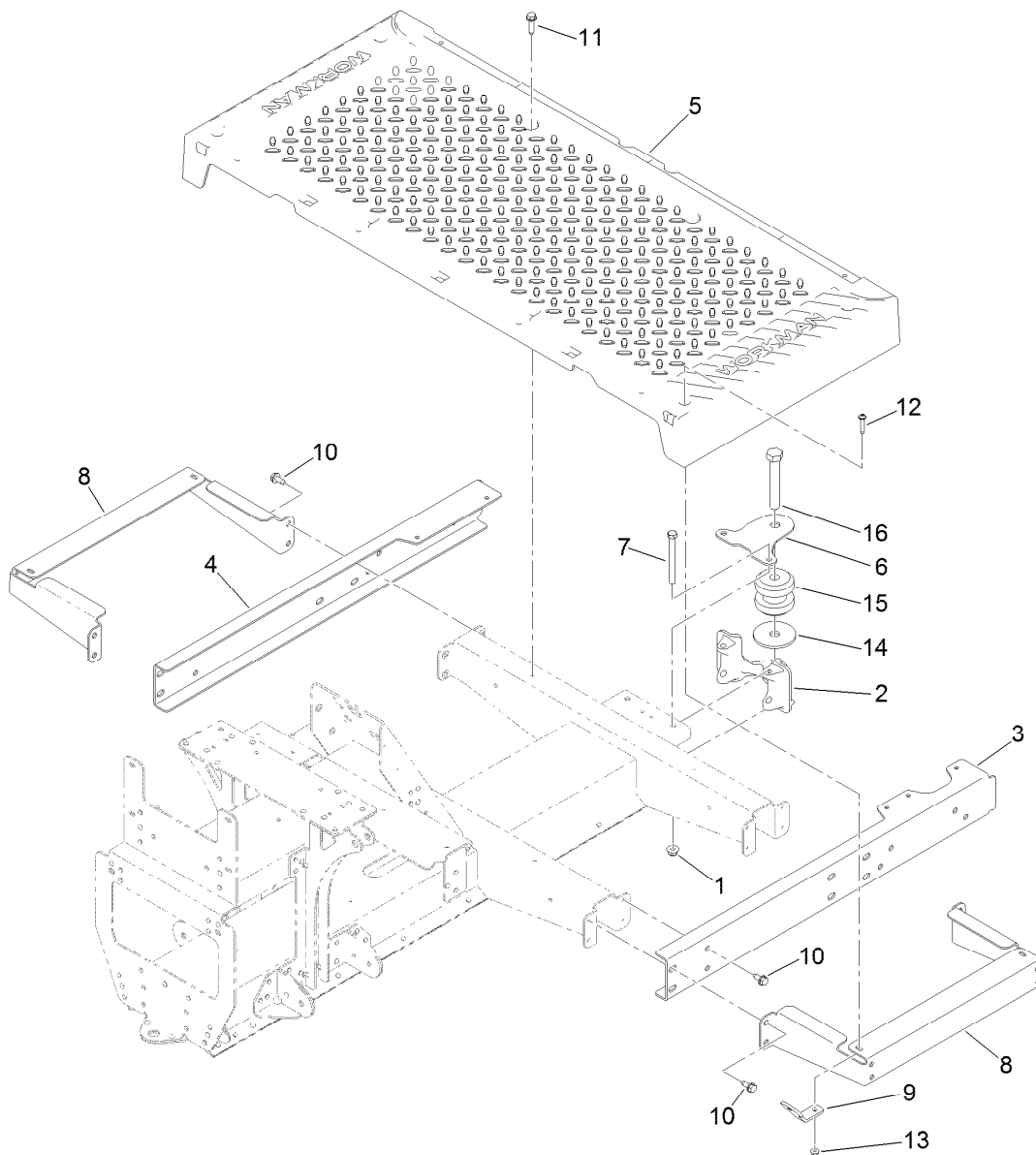
Contents

Front Frame and Suspension Assembly	4
Floor Plate and Rear Suspension Mount Assembly	5
Rear Frame and Suspension Assembly	6
Frame Mount and Rear Shock/Spring Assembly	7
Brake Assembly	8
Master Cylinder Assembly No. 104-6782	9
Brake Caliper Assembly No. 127-7424	10
Steering Assembly	11
Pedal and Control Assembly	12
Hood and Fender Assembly	13
Dash Assembly	14
Seatbase Assembly	15
Cargo Bed Assembly	16
Cargo Bed and Tailgate Assembly No. 131-8592	17
Battery Assembly	18
Rear Axle and Motor Assembly	19
Transaxle Assembly No. 127-7439	20
Electric Motor Assembly No. 131-8485	21
Controller Assembly	22
Sevcon Controller Assembly No. 127-2767	24
Onboard Charger Assembly No. 131-8490	25
Accelerator Pedal and Key Switch Assembly	26
Attachments and Accessories	27



Front Frame and Suspension Assembly

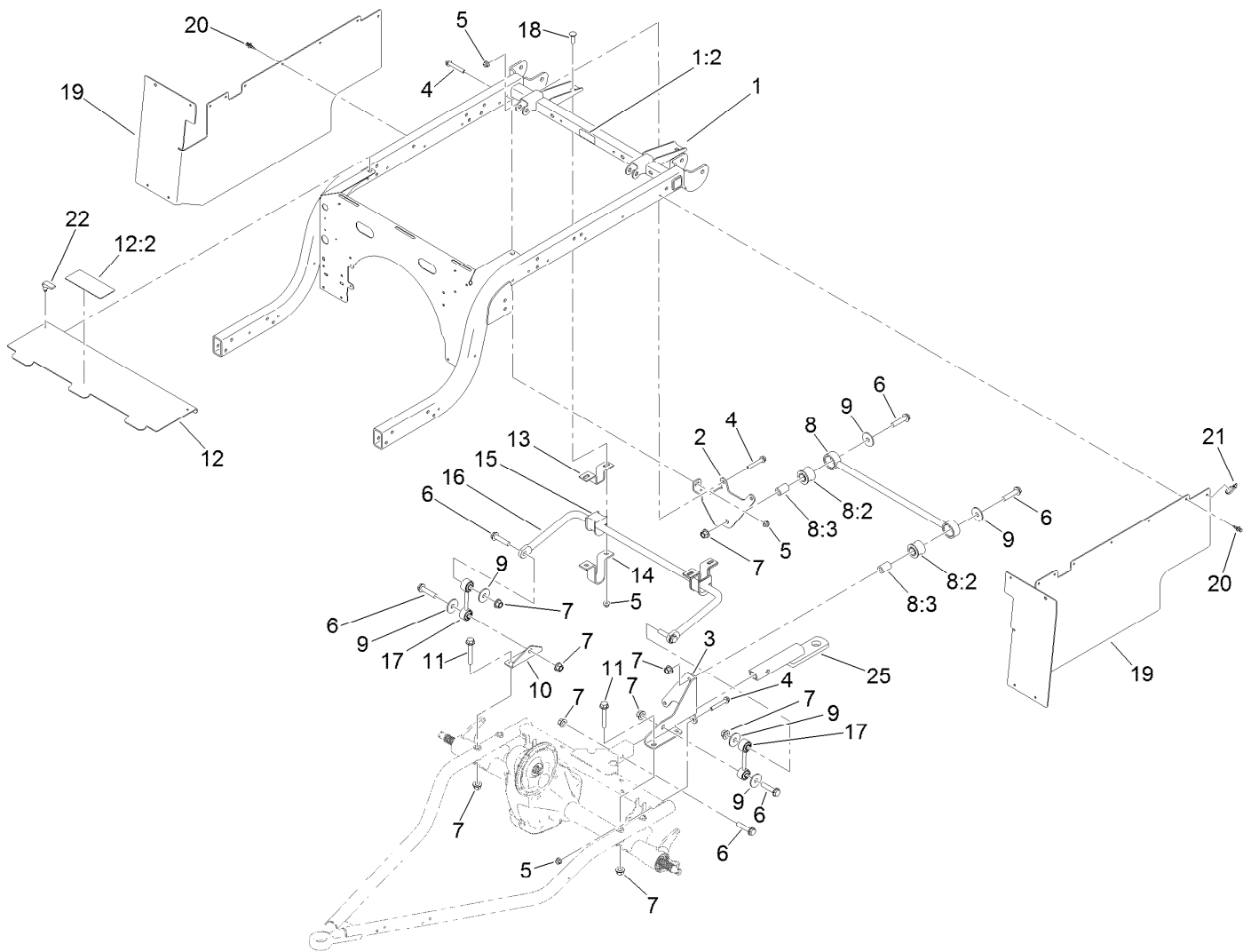
Ref.	Part Number	Qty.	Description	Ref.	Part Number	Qty.	Description
1	127-7718-03	1	Frame-Front	17:2	10-6830	4	Stud-Type, Drive
2	131-8572	2	Screw-HF	17:3	254-72	2	Bearing-Cup, Tapered
3	104-8301	6	Nut-HF, NI	18	93-0309	2	Washer-Tab
4	131-8345	2	A-Arm	19	3220-7	2	Nut-Jam
5	127-8776	2	Strut ASM	20	93-0307	2	Nut-Lock, Retainer
5:1	131-8574	1	Isolator-Shock	21	3272-12	2	Pin-Cotter
6	3234-46	2	Screw-HHF	22	241-119	2	Cap-Dust
7	99-5107	2	Nut-Lock	23	112-1690	2	Seal-Oil
8	131-8581	2	Sleeve-Control Arm, Inner	24	131-8319	2	Tire/Wheel ASM
9	131-8583	2	Sleeve-Control Arm, Outer	24:1	131-8317	1	Wheel
10	131-8582	2	Sleeve-Kingpin	24:2	232-27	1	Stem-Valve
11	133-0643	12	Bushing-Flange, O-Ring	24:3	131-8318	1	Tire
12	116-4701	2	Screw-HHF	25	242-50	8	Nut-Lug
13	131-8571	2	Screw-HF	26	32144-70	2	Screw-HWHTF
14	127-8825-03	1	Spindle-LH	27	302-5	2	Fitting-Grease
15	127-8826-03	1	Spindle-RH	28	131-8339-03	1	Reinforcement-Tower
16	254-94	4	Bearing-Cone, Tapered	29	302-40	4	Fitting-Grease, 90 DEG
17	127-8851	2	Front Hub ASM	30	237-54	12	O-Ring



Floor Plate and Rear Suspension Mount Assembly

Ref.	Part Number	Qty.	Description
1	104-8301	2	Nut-HF, NI
2	131-8466	1	Mount-Suspension, Rear
3	127-7820-03	1	Channel-Frame, Front (LH)
4	127-7821-03	1	Channel-Frame, Front (RH)
5	127-7829	1	Plate-Floor
6	131-8597	1	Plate-Gimbal, Upper
7	323-42	2	Screw-HH
8	127-7837-03	2	Bracket-Support, Floor Plate

Ref.	Part Number	Qty.	Description
9	127-7832	2	Bracket-Angle
10	32144-70	16	Screw-HWHTF
11	32144-49	4	Screw-HWHTF
12	132-6777	4	Screw-TTH
13	104-7201	4	Nut-HF
14	110-4549	1	Washer-Snubbing
15	131-8480	1	Isolator
16	104-5877	1	Screw-HH



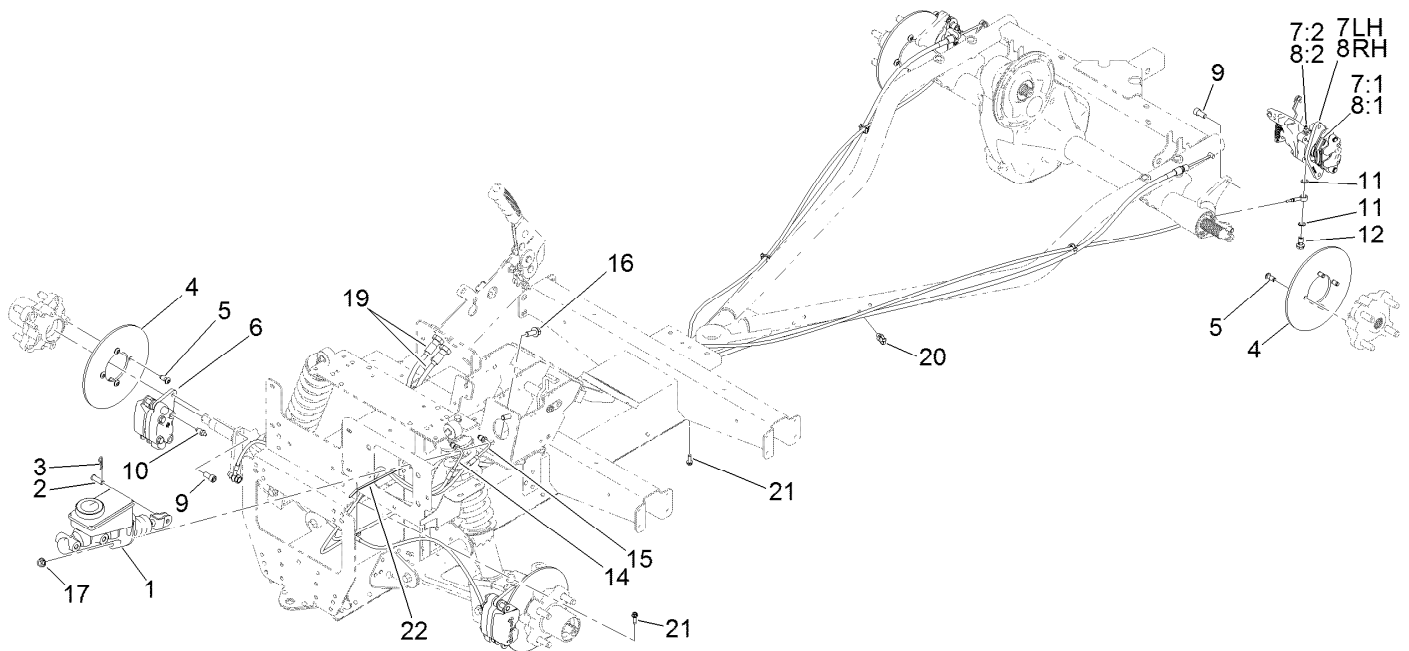
Rear Frame and Suspension Assembly

<i>Ref.</i>	<i>Part Number</i>	<i>Qty.</i>	<i>Description</i>	<i>Ref.</i>	<i>Part Number</i>	<i>Qty.</i>	<i>Description</i>
1	131-8594	1	Rear Frame ASM	11	3234-40	4	Screw-HF
1:2	115-2047	1	Decal-Surface, Hot	12	131-8595	1	Panel-Cover
2	127-7412-03	1	Bracket-Bar, Stabilizer	12:2	99-7345	1	Decal-Warning
3	127-7411-03	1	Bracket-Bar, Stabilizer	13	87-3890-03	2	Bracket-Bar, Sway
4	3234-39	5	Screw-HHF	14	87-4010-03	2	Clamp-Bar, Sway
5	104-8301	9	Nut-HF, NI	15	87-3910	2	Bushing-Rubber
6	3234-46	7	Screw-HHF	16	131-8310-03	1	Bar-Sway, Anti
7	99-5107	11	Nut-Lock	17	131-8394	2	Link-Bar, Sway
8	109-5013	1	Panhard Rod ASM	18	3231-25	4	Bolt-CARR
8:2	109-5009	2	Bushing-Suspension, Rubber	19	131-8346	2	Panel-Side
8:3	109-5010	2	Spacer	20	125-9622	20	Rivet-Blind
9	86-1990	6	Washer-Thrust	21	3290-378	2	Tie-Cable
10	131-8315	1	Bracket-Link, Sway Bar	22	74-5950	2	Latch-Swell
				25	132-8590-03	1	Bar-Draw, Class 1



Frame Mount and Rear Shock/Spring Assembly

<i>Ref.</i>	<i>Part Number</i>	<i>Qty.</i>	<i>Description</i>
1	3234-39	8	Screw-HHF
2	104-8301	8	Nut-HF, NI
3	3234-46	4	Screw-HHF
4	99-5107	4	Nut-Lock
5	131-3455	2	Shock/Spring ASM
5:1	131-8574	2	Isolator-Shock



Brake Assembly

Ref.	Part Number	Qty.	Description	Ref.	Part Number	Qty.	Description
1	104-6782	1	Master Cylinder ASM	8:3	136-6328	2	Spring-Rattle, Anti ●
2	283-2	1	Pin-Clevis	9	131-8573	8	Screw-HSH
3	1-806003	1	Pin-Cotter	10	119-9509	2	Screw-Bleed
4	136-6295	4	Rotor-Brake	11	115-2341	8	Washer-Banjo
5	121-9671	16	Screw-HSBH	12	120-4875	4	Bolt-Flange, Banjo
6	127-7424	2	Brake Caliper ASM	14	127-7781	1	Brake Line-Front
7	131-8313	1	Caliper-Rear, LH	15	127-7782	1	Brake Line-Rear
7:1	131-8518	1	Pad Kit (Set Of 4)	16	3234-11	2	Screw-HHF
7:2	119-9509	1	Screw-Bleed	17	3290-357	2	Nut-HHF, Whiz
7:3	136-6328	2	Spring-Rattle, Anti ●	19	131-8406	2	Cable-Park Brake
8	131-8314	1	Caliper-Rear, RH	20	32180-030	4	Clip-Tie
8:1	131-8518	1	Pad Kit (Set Of 4)	21	49-2040	2	Screw-HWHTF
8:2	119-9509	1	Screw-Bleed	22	3290-378	1	Tie-Cable

● Not illustrated



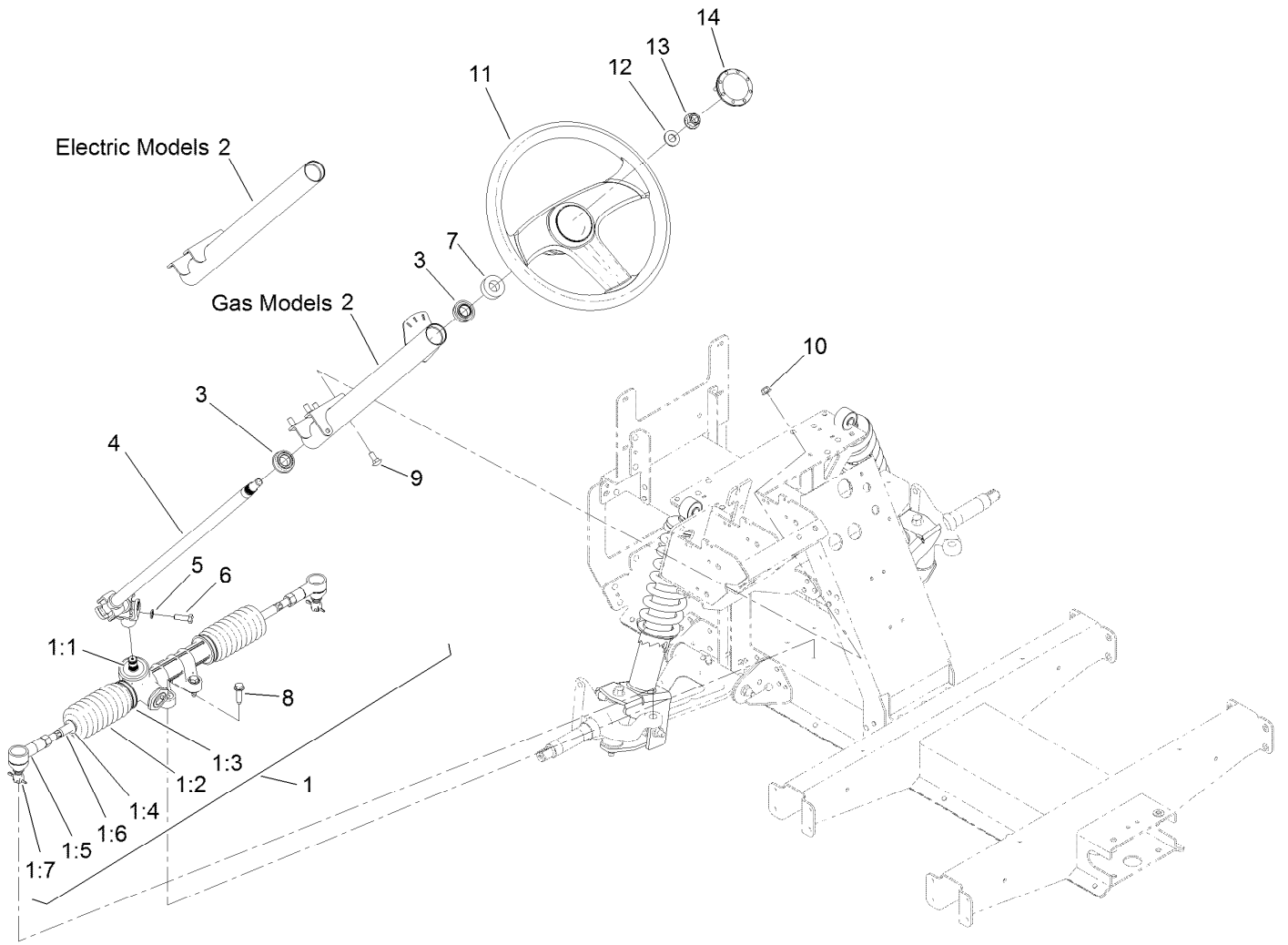
Master Cylinder Assembly No. 104-6782

Ref.	Part Number	Qty.	Description
1	104-6845	1	Reservoir ASM
1:1	92-4112	1	Cap ASM
2	93-8971	2	Seal-Port, Flange
3	92-4103	1	Pin-Stop
4	92-4102	1	Secondary Piston ASM
5	92-4110	1	Clevis
6	21-0360	1	Nut-Hex
7	94-5209	1	Cover-Dust
8	94-5210	1	Rod-Push
9	92-4109	1	Ring-Snap
10	92-4108	1	Retainer-Washer
11	92-4101	1	Primary Piston ASM



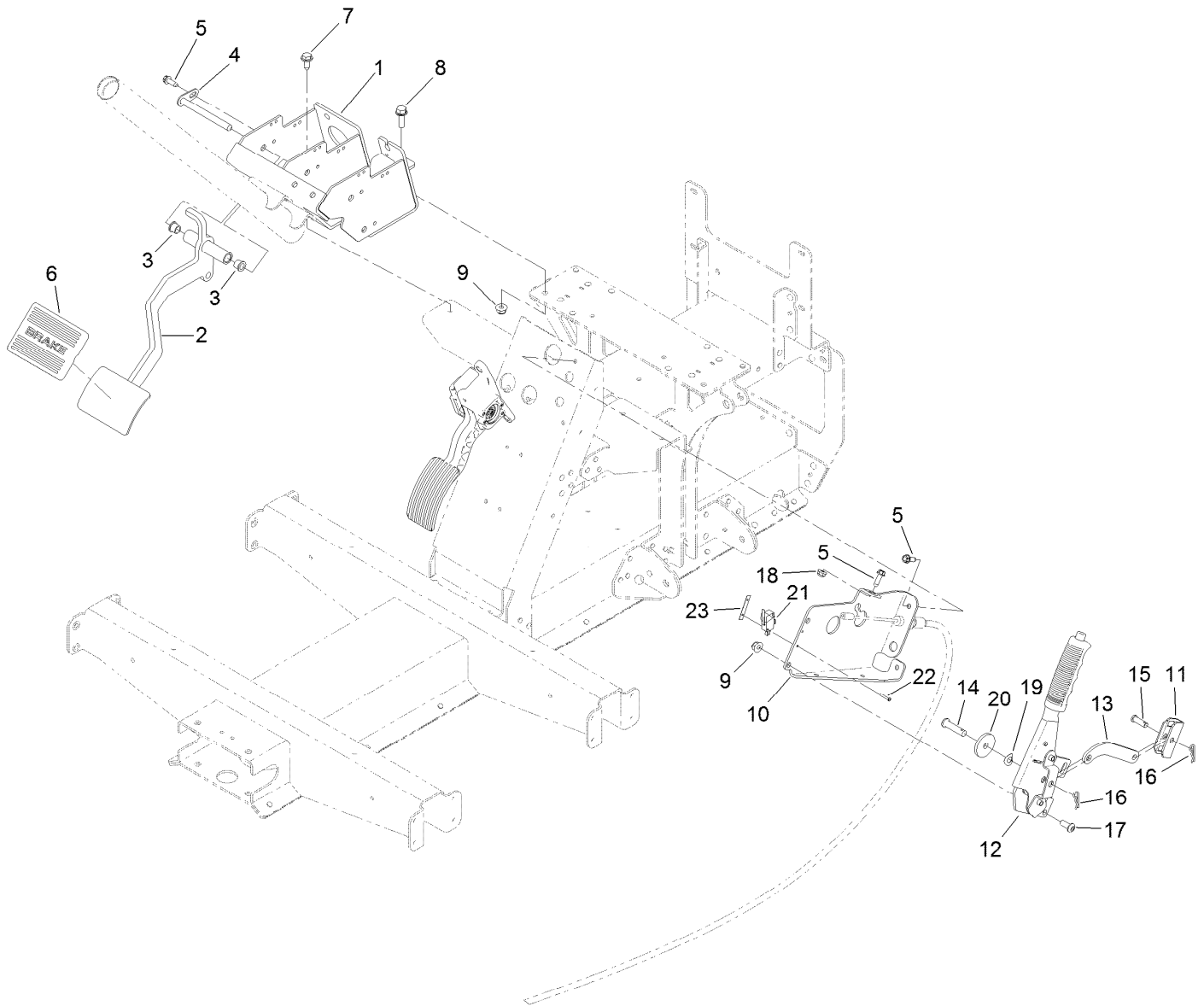
Brake Caliper Assembly No. 127-7424

<i>Ref.</i>	<i>Part Number</i>	<i>Qty.</i>	<i>Description</i>
1	119-9510	1	Pads-Brake
2	119-9511	1	Bracket Kit
3	133-0614	1	Piston Kit



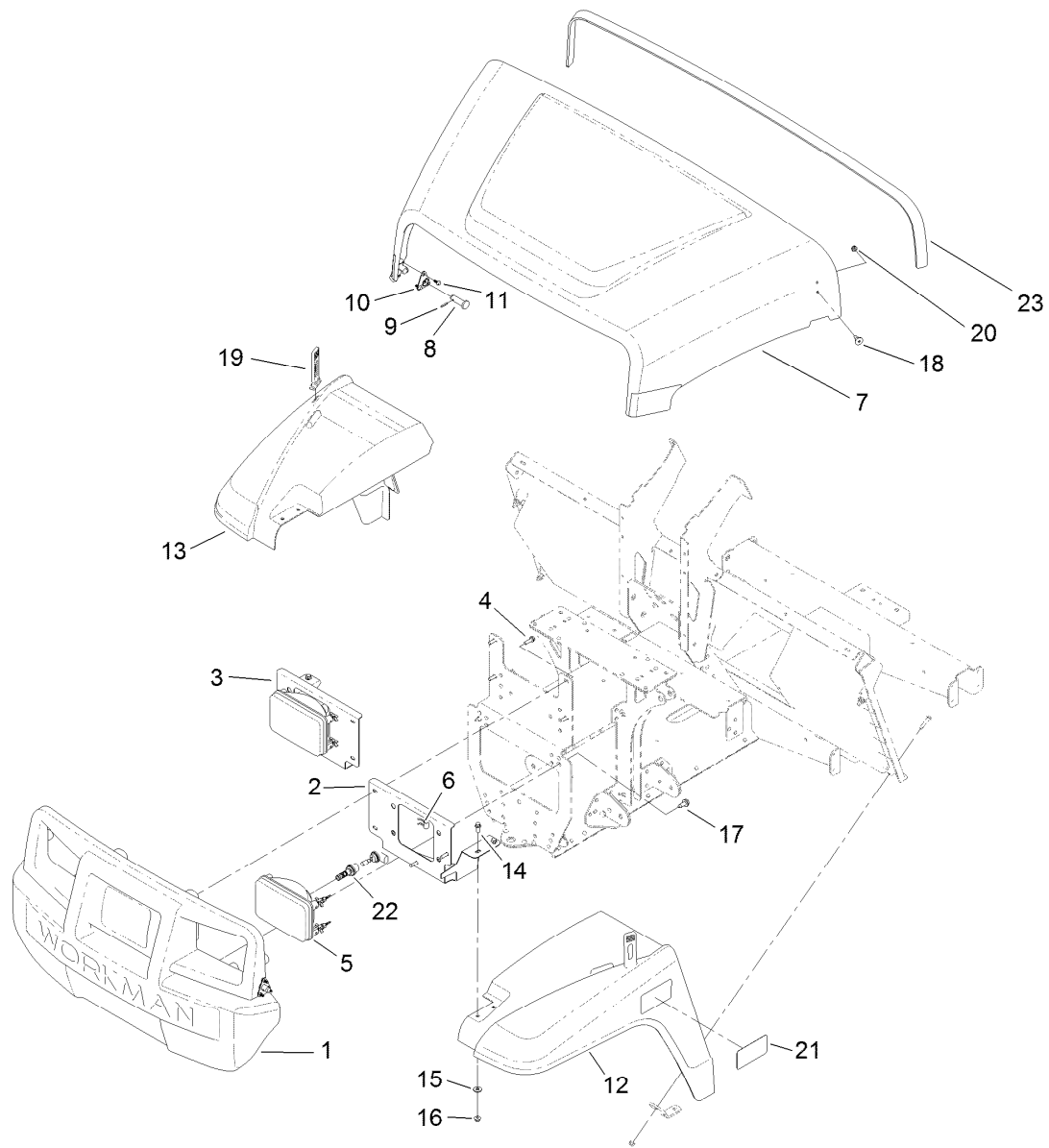
Steering Assembly

<i>Ref.</i>	<i>Part Number</i>	<i>Qty.</i>	<i>Description</i>	<i>Ref.</i>	<i>Part Number</i>	<i>Qty.</i>	<i>Description</i>
1	127-8797	1	Steering Rack ASM	5	3253-4	1	Washer-Lock
1:1	133-0607	1	Seal-Shaft	6	116-3515	1	Screw-HH, Special
1:2	133-0606	2	Bellows	7	21-9260	1	Cover-Dust
1:3	133-0605	2	Clamp-Bellows, Inner	8	32144-49	4	Screw-HWHTF
1:4	133-0604	2	Clamp-Bellows, Outer	9	3230-1	4	Bolt-CARR
1:5	133-0602	2	End-Rod, Track	10	104-8300	4	Nut-HF, NI
1:6	133-0601	2	Rod-Tie, Track	11	131-0957	1	Wheel-Steering
1:7	3272-42	2	Pin-Cotter	12	3256-26	1	Washer-Flat
2	131-8513-03	1	Steering Column ASM	13	99-5107	1	Nut-Lock
3	112-3262	2	Bearing	14	131-3630	1	Cap-Wheel, Steering
4	127-8804	1	Steering Shaft ASM				



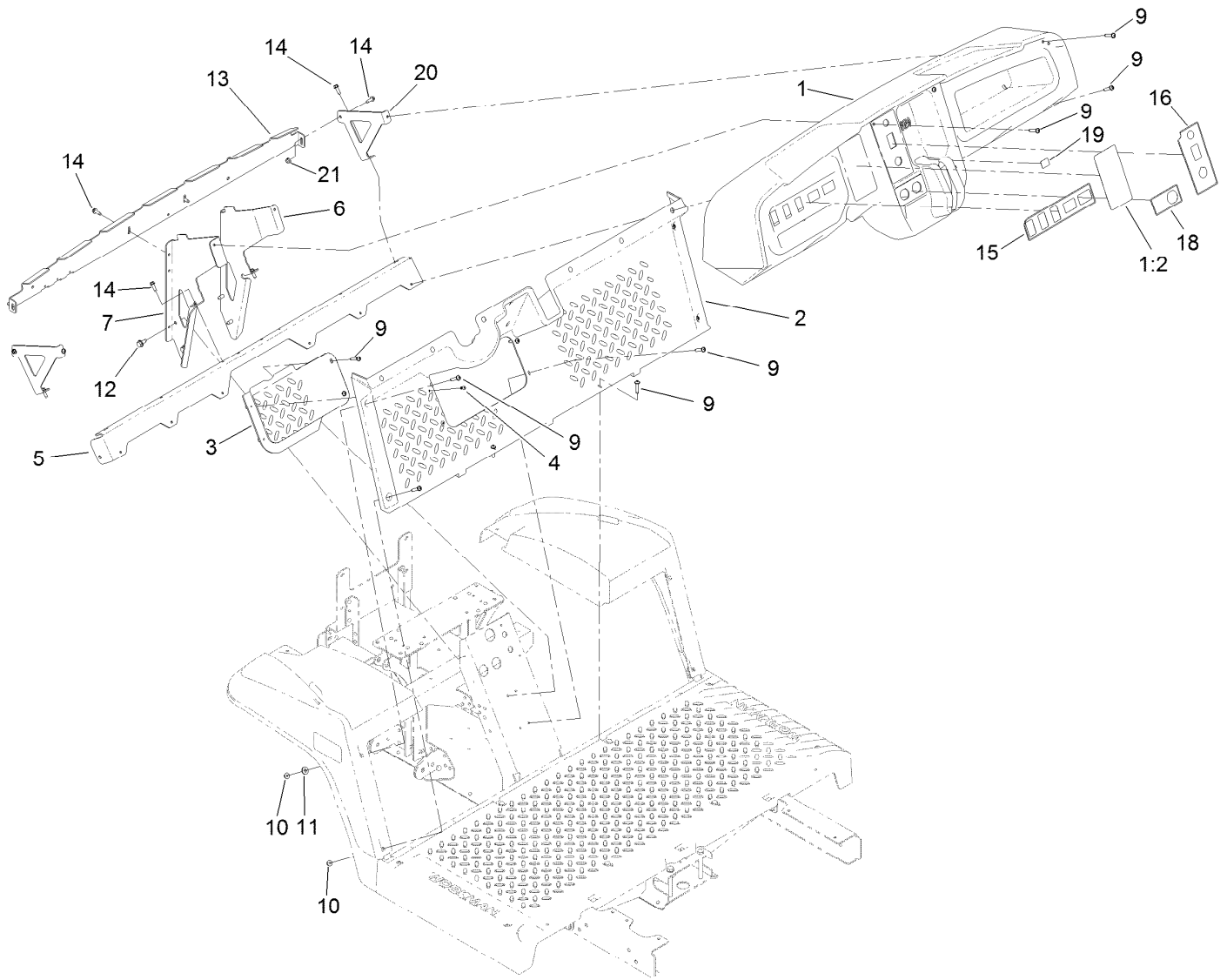
Pedal and Control Assembly

<i>Ref.</i>	<i>Part Number</i>	<i>Qty.</i>	<i>Description</i>	<i>Ref.</i>	<i>Part Number</i>	<i>Qty.</i>	<i>Description</i>
1	127-8817-03	1	Pedal Mount ASM	13	127-8836-03	1	Link-Brake, Park
2	127-8818-03	1	Brake Pedal ASM	14	283-10	1	Pin-Clevis
3	256-116	2	Bushing-Flange	15	1-808280	1	Pin-Clevis
4	131-8459	1	Pivot Shaft ASM	16	1-806003	2	Pin-Cotter
5	49-2040	4	Screw-HWHTF	17	3274-55	2	Screw-HSBH
6	7-3900	1	Pad-Brake	18	104-7201	1	Nut-HF
7	32144-70	2	Screw-HWHTF	19	121-4605	1	Washer-Spring
8	3234-29	1	Screw-HHF	20	131-8496	1	Washer-Plain
9	104-8300	3	Nut-HF, NI	21	108-6496	1	Switch (W/Boot)
10	127-8834-03	1	Mount-Brake, Park	22	3290-313	2	Screw-SPH
11	87-3480	1	Bracket-Equalizer, Cable	23	3290-354	1	Nut-Speed
12	131-8320	1	Lever-Brake, Park				



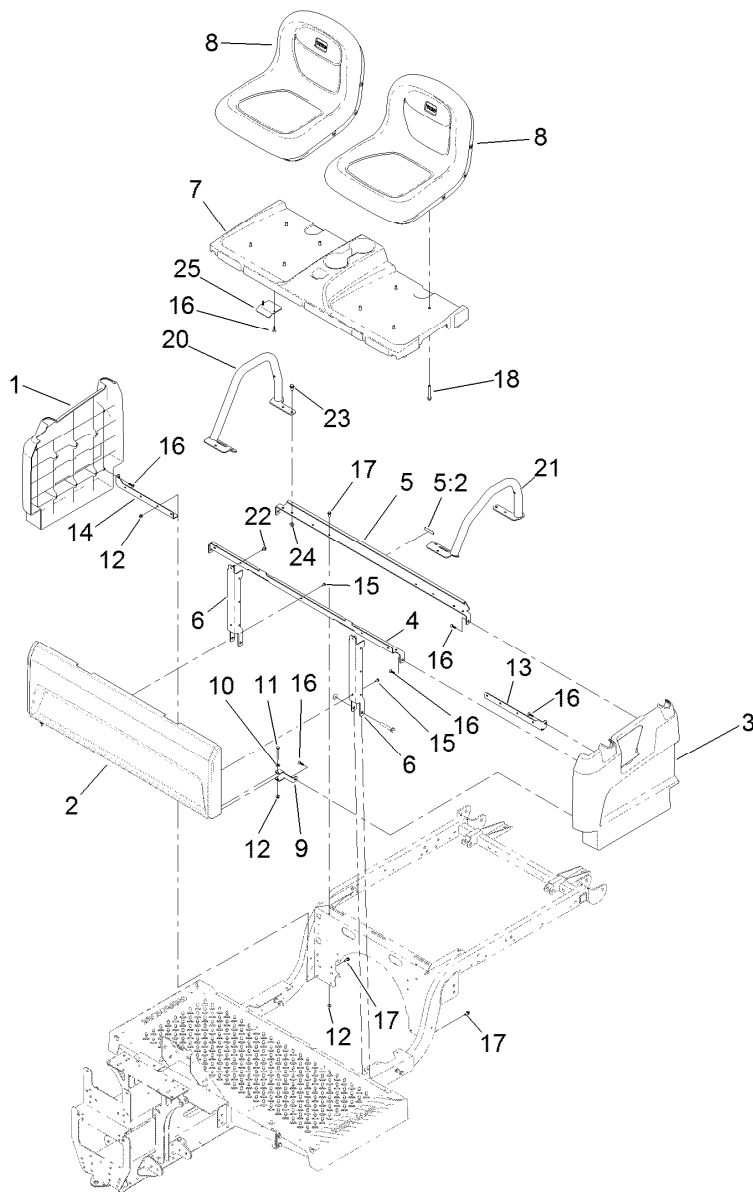
Hood and Fender Assembly

<i>Ref.</i>	<i>Part Number</i>	<i>Qty.</i>	<i>Description</i>	<i>Ref.</i>	<i>Part Number</i>	<i>Qty.</i>	<i>Description</i>
1	132-8530	1	Bumper	13	127-7772	1	Fender-Front, RH
2	131-8455-03	1	Bracket-Headlight, LH	14	3234-33	4	Screw-HHF
3	131-8456-03	1	Bracket-Headlight, RH	15	3256-2	4	Washer-Flat
4	46-8091	8	Screw-HWH	16	104-7201	4	Nut-HF
5	132-6703	2	Headlight ASM	17	32144-70	2	Screw-HWHTF
6	115-2408	6	Clip-Speed	18	125-1122	2	Screw
7	136-6281	1	Hood	19	131-8402	2	Strap-Hold Down
8	117-5094	2	Pin-Clevis	20	3296-56	2	Nut-Lock, NI
9	32121-50	2	Pin-Spring	21	131-8516	2	Decal-Fender
10	112-3308	2	Retainer-Pin	22	133-0574	2	Bulb-LED
11	121-9605	6	Screw-HWH	23	133-7210	1	Seal-Trim, Hood
12	127-7771	1	Fender-Front, LH				



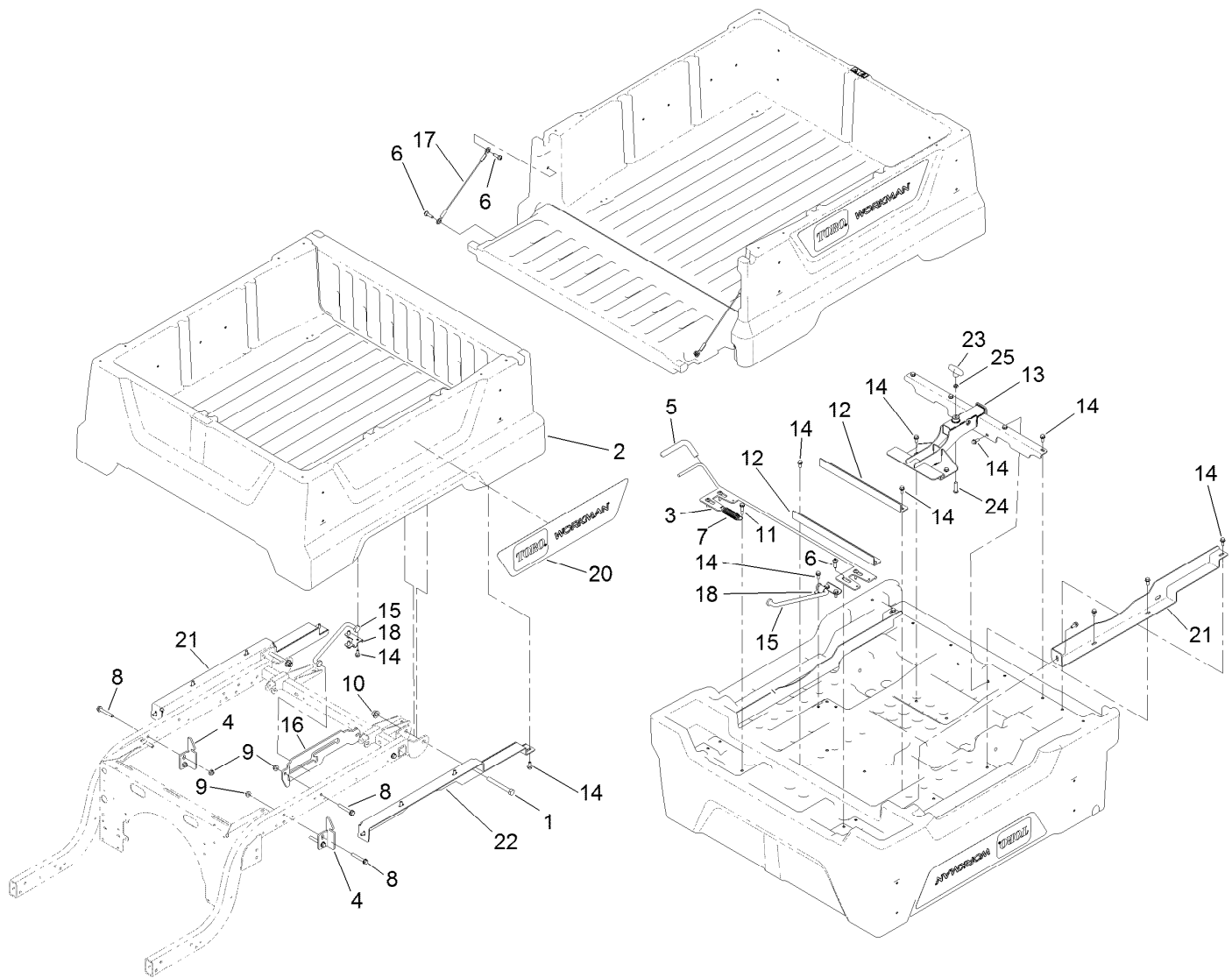
Dash Assembly

<i>Ref.</i>	<i>Part Number</i>	<i>Qty.</i>	<i>Description</i>	<i>Ref.</i>	<i>Part Number</i>	<i>Qty.</i>	<i>Description</i>
1	131-8593	1	Dash	12	32144-70	4	Screw-HWHTF
1:2	131-8414	1	Decal-Danger	13	131-8568-03	1	Reinforcement-Dash
2	127-7846	1	Footboard	14	49-2040	8	Screw-HWHTF
3	127-7847	1	Cover-Footboard	15	131-8411	1	Decal-Dashboard, Electric
4	107-7461	2	Screw-Plastite	16	131-8412	1	Decal-Control Panel, Electric
5	127-7831-03	1	Angle	18	131-8493	1	Decal-USB
6	131-8336-03	1	Bracket-Dash, RH	19	131-8506	1	Decal-Status, Machine
7	131-8335-03	1	Bracket-Dash, LH	20	131-8569-03	2	Bracket-Dash, Side
9	132-6777	20	Screw-TTH	21	104-7201	2	Nut-HF
10	104-7201	4	Nut-HF				
11	3256-2	2	Washer-Flat				



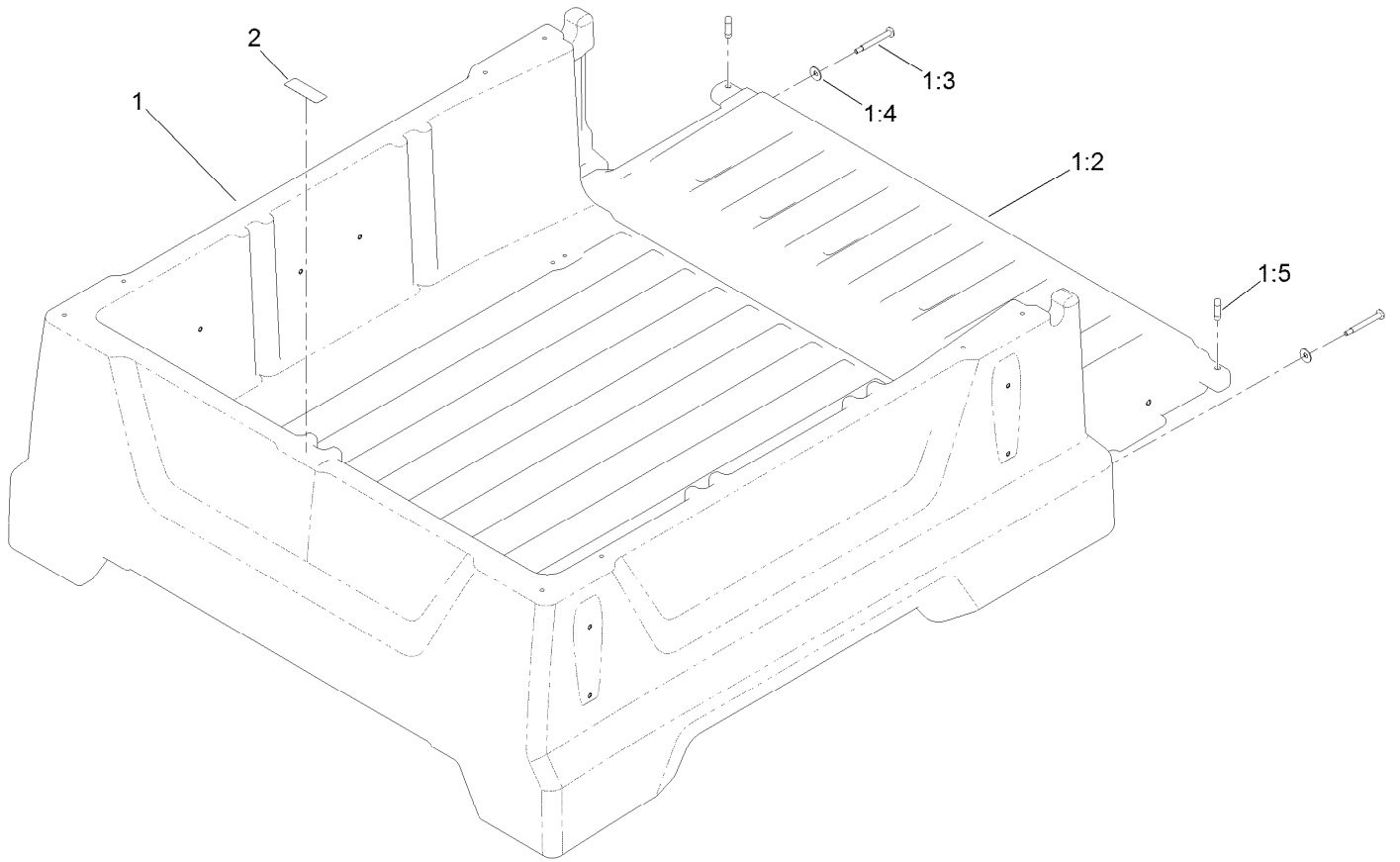
Seatbase Assembly

<i>Ref.</i>	<i>Part Number</i>	<i>Qty.</i>	<i>Description</i>	<i>Ref.</i>	<i>Part Number</i>	<i>Qty.</i>	<i>Description</i>
1	127-7805	1	Side-Base, Seat (RH)	13	127-7842-03	1	Bracket-Support, Side (LH)
2	133-7188	1	Panel-Seat Base	14	127-7843-03	1	Bracket-Support, Side (RH)
3	127-7807	1	Side-Base, Seat (LH)	15	112-6349	5	Screw-HWH
4	133-7345-03	1	Support-Seat	16	120-2349	12	Screw
5	131-8596	1	Angle-Seat Support, Rear	17	3234-33	6	Screw-HHF
5:2	120-9570	1	Decal-Warning	18	33104-060	8	Screw-HHF
6	127-7841-03	2	Channel-Support, Seat	20	131-8352-05	1	Restraint-Hip, RH
7	127-7839	1	Base-Mount, Seat	21	131-8353-05	1	Restraint-Hip, LH
8	133-0577	2	Seat ASM	22	46-6810	2	Screw And Washer ASM
9	127-7844-03	2	Clamp-Plate, Floor	23	32144-70	6	Screw-HWHTF
10	3256-22	2	Washer-Flat	24	104-8300	6	Nut-HF, NI
11	321-18	2	Screw-HH	25	133-7167-03	2	Bracket-Hinge, Seat
12	104-7201	8	Nut-HF				



Cargo Bed Assembly

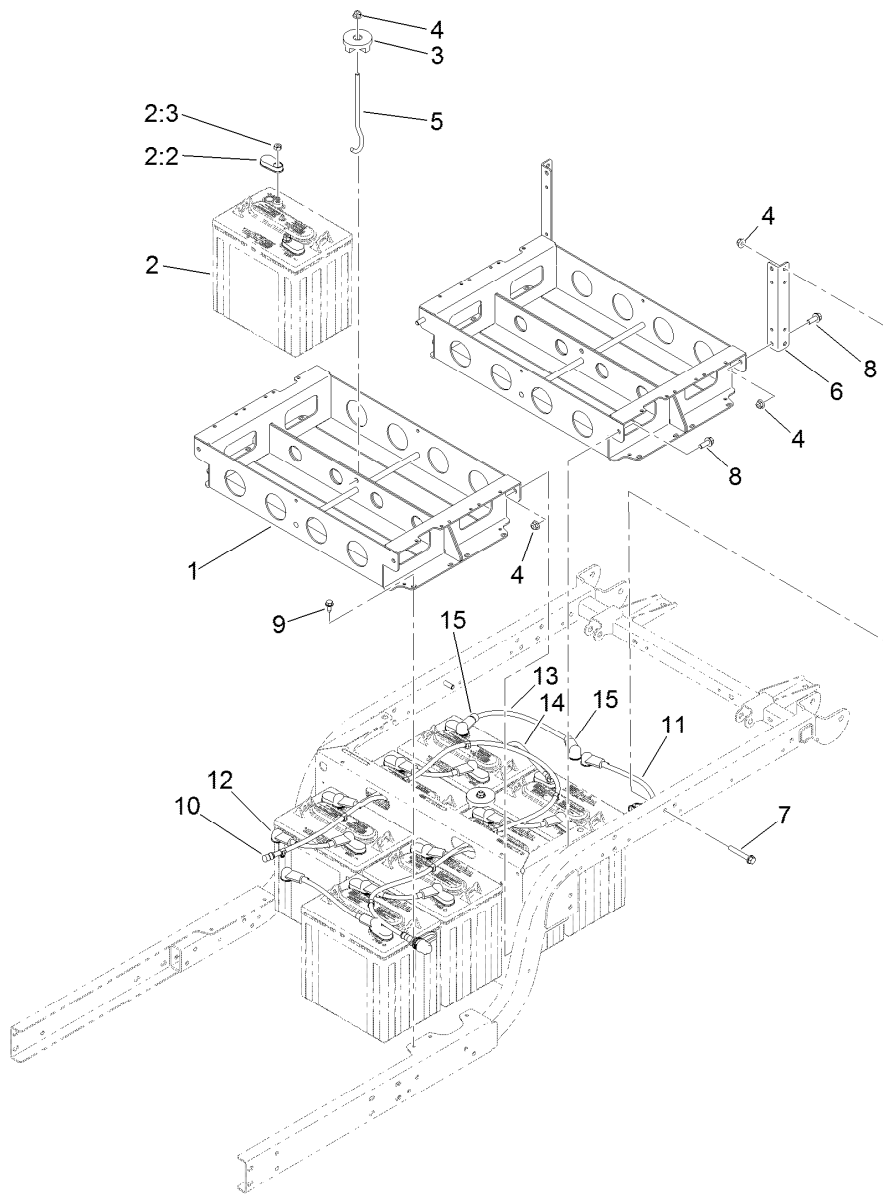
Ref.	Part Number	Qty.	Description	Ref.	Part Number	Qty.	Description
1	325-18	2	Screw-HH	13	132-8523-03	1	Attachment-Quick, Class 1
2	131-8592	1	Cargo Bed And Tailgate ASM	14	3234-5	25	Screw-HHF
3	132-8524	1	Latch ASM	15	132-8517	1	Rod-Prop
4	127-7428-03	2	Striker-Latch, Bed	16	132-8518	1	Bracket-Rod, Prop
5	132-8515	1	Grip-Handle	17	121-6343	2	Lanyard-Tailgate
6	119-2267	8	Screw-Shoulder, BHTF	18	132-0839	1	Bracket-U, Prop Rod
7	106-5598	1	Spring-Extension	20	132-8538	2	Decal-Workman
8	3234-39	6	Screw-HHF	21	133-3042-03	1	Support-Cargo Bed, RH
9	104-8301	6	Nut-HF, NI	22	133-3043-03	1	Support-Cargo Bed, LH
10	99-5107	2	Nut-Lock	23	133-3056	1	Handle-T
11	116-8607	1	Screw-Shoulder	24	95-3857	1	Screw-HSBH
12	132-8526-03	2	Brace-Middle, Bed	25	3218-3	1	Nut-Jam



Cargo Bed and Tailgate Assembly No. 131-8592

<i>Ref.</i>	<i>Part Number</i>	<i>Qty.</i>	<i>Description</i>
1		1	Cargo Bed And Tailgate ASM ●
1:2	132-0841	1	Tailgate
1:3	133-7100	2	Screw-Shoulder, Bh (Torx)
1:4	3290-456	2	Washer-Belleville
1:5	133-7146	2	Plug-Tailgate, Anti-Rattle
2	115-7739	1	Decal-No Riders

● Not serviced separately

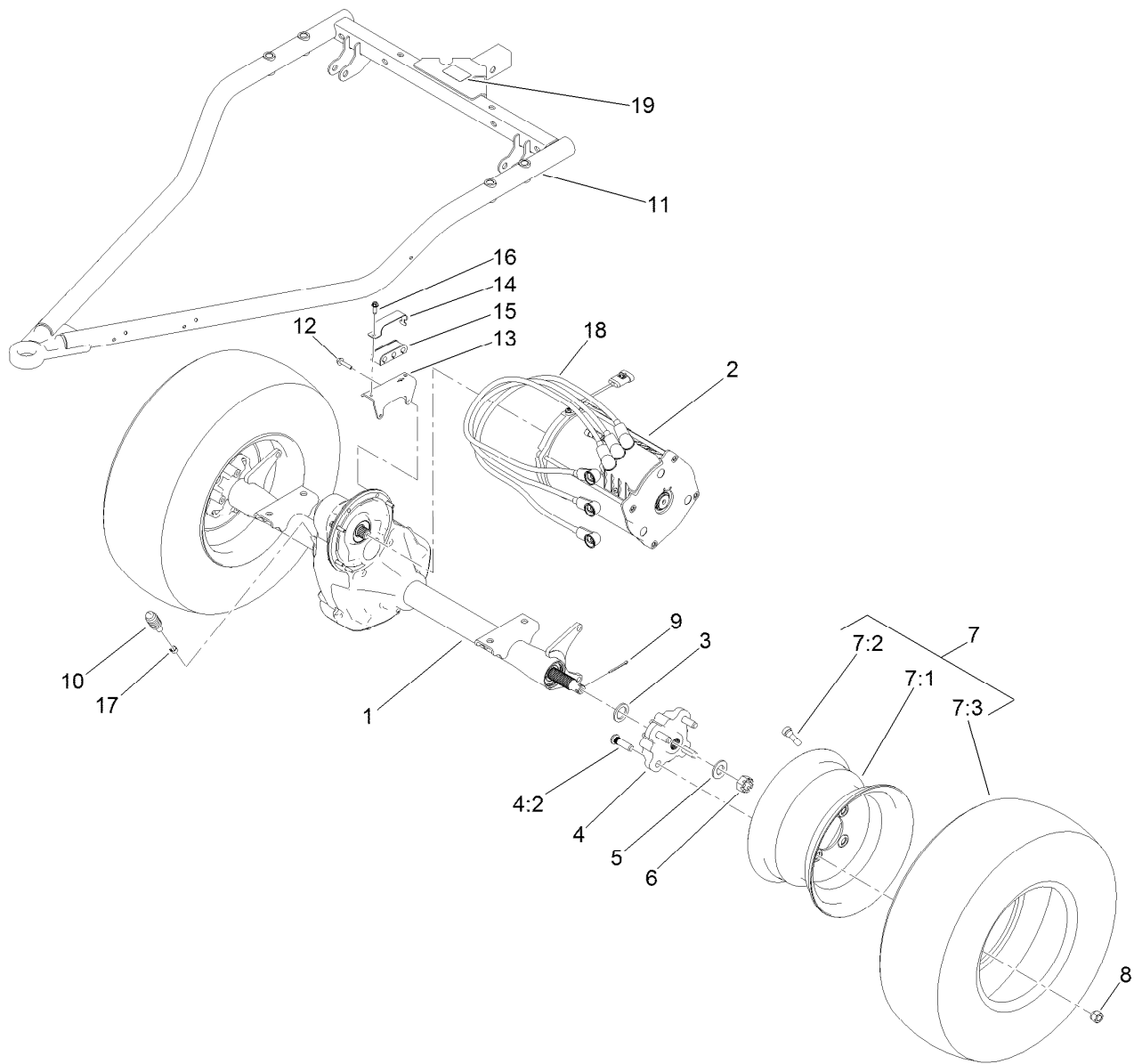


Battery Assembly

Ref.	Part Number	Qty.	Description	Ref.	Part Number	Qty.	Description
1	131-8300-03	2	Battery Tray ASM	9	32144-70	4	Screw-HWHTF
2		8	Battery-Lead Acid, Wet ■	10	131-8491	1	Watering Hose ASM
2:2	107-0289	2	Cover-Terminal, Battery	11	107-0739	2	Cable-Battery, Positive
2:3	107-0388	2	Nut	12	107-0738	6	Cable-Battery, Positive
3	104-7149	2	Hold Down ASM	13	122-0750	1	Cable-Battery, Positive
4	104-8301	8	Nut-HF, NI	14	94-6168	1	Wire-Ground, Battery
5	131-8387	2	Rod-Battery Hold Down	15	32180-009	2	Insulator-Lug, Red
6	131-8302-03	2	Bracket-Box, Battery	99	107-0392	1	Protection-Terminal, Aerosol ●
7	3234-39	2	Screw-HHF				
8	3234-42	4	Screw-HHF				

● Not illustrated

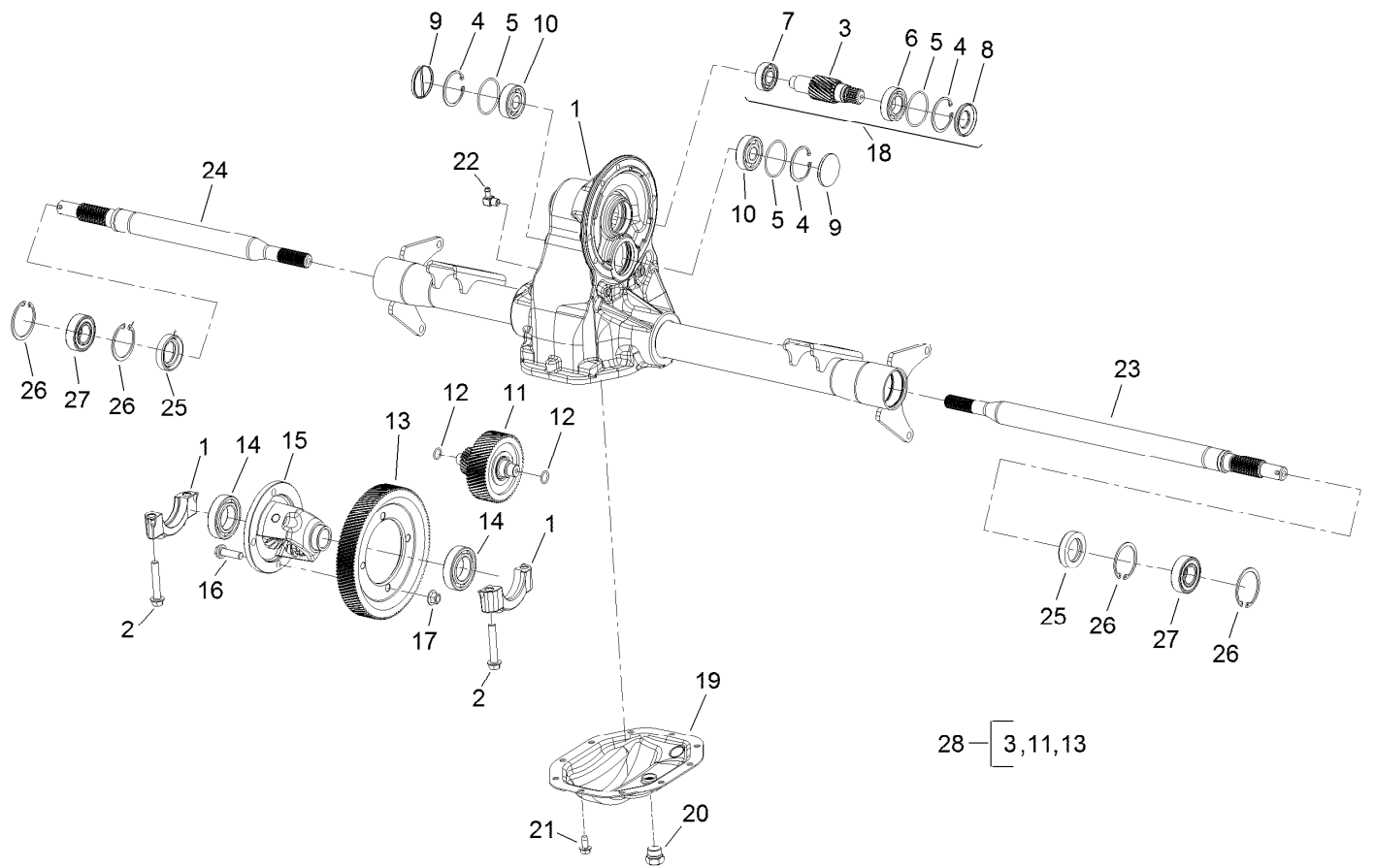
■ Not serviced separately



Rear Axle and Motor Assembly

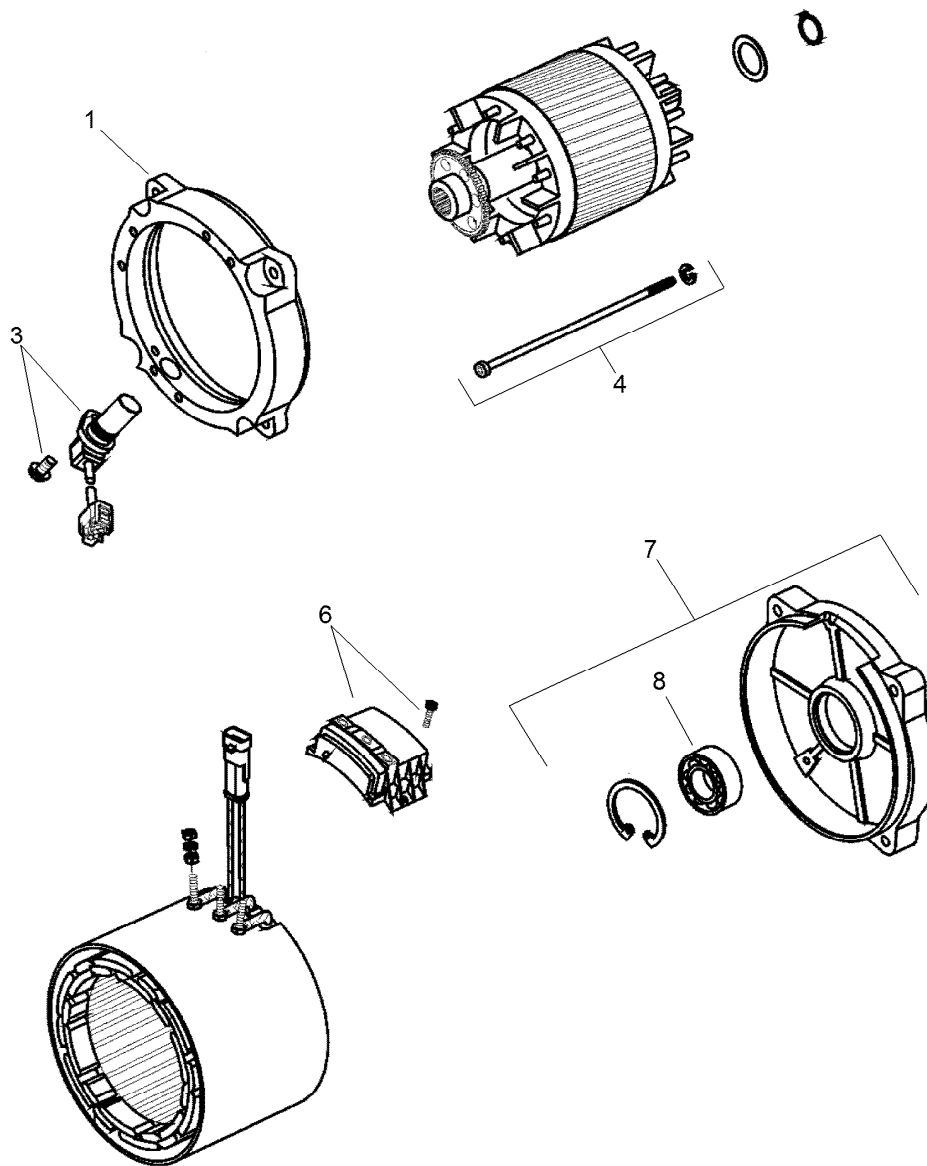
Ref.	Part Number	Qty.	Description	Ref.	Part Number	Qty.	Description
1	127-7439	1	Transaxle ASM	10	127-8859	1	Bellows-Breather
2	131-8485	1	Motor-Electric	11	131-8340-03	1	Swing Arm ASM
3	131-8570	2	Spacer-Hardened	12	33103-030	6	Screw-HHF
4	127-8848	2	Rear Hub ASM	13	131-8416	1	Bracket-Cable
4:2	10-6830	4	Stud-Type, Drive	14	131-8482	1	Retainer-Isolator
5	92-5836	2	Washer	15	131-8420	1	Isolator-Clamp
6	32136-5	2	Nut-Hex, Slotted	16	49-2040	1	Screw-HWHTF
7	131-8319	2	Tire/Wheel ASM	17	2412-146	1	Clamp-Hose
7:1	131-8317	1	Wheel	18	122-0743	3	Cable-Battery, Positive
7:2	232-27	1	Stem-Valve	19	131-8598	1	Decal-Rating, Hitch
7:3	131-8318	1	Tire	99	107-0392	1	Protection-Terminal, Aerosol
8	242-50	8	Nut-Lug				●
9	1-806800	2	Pin-Cotter				

● Not illustrated



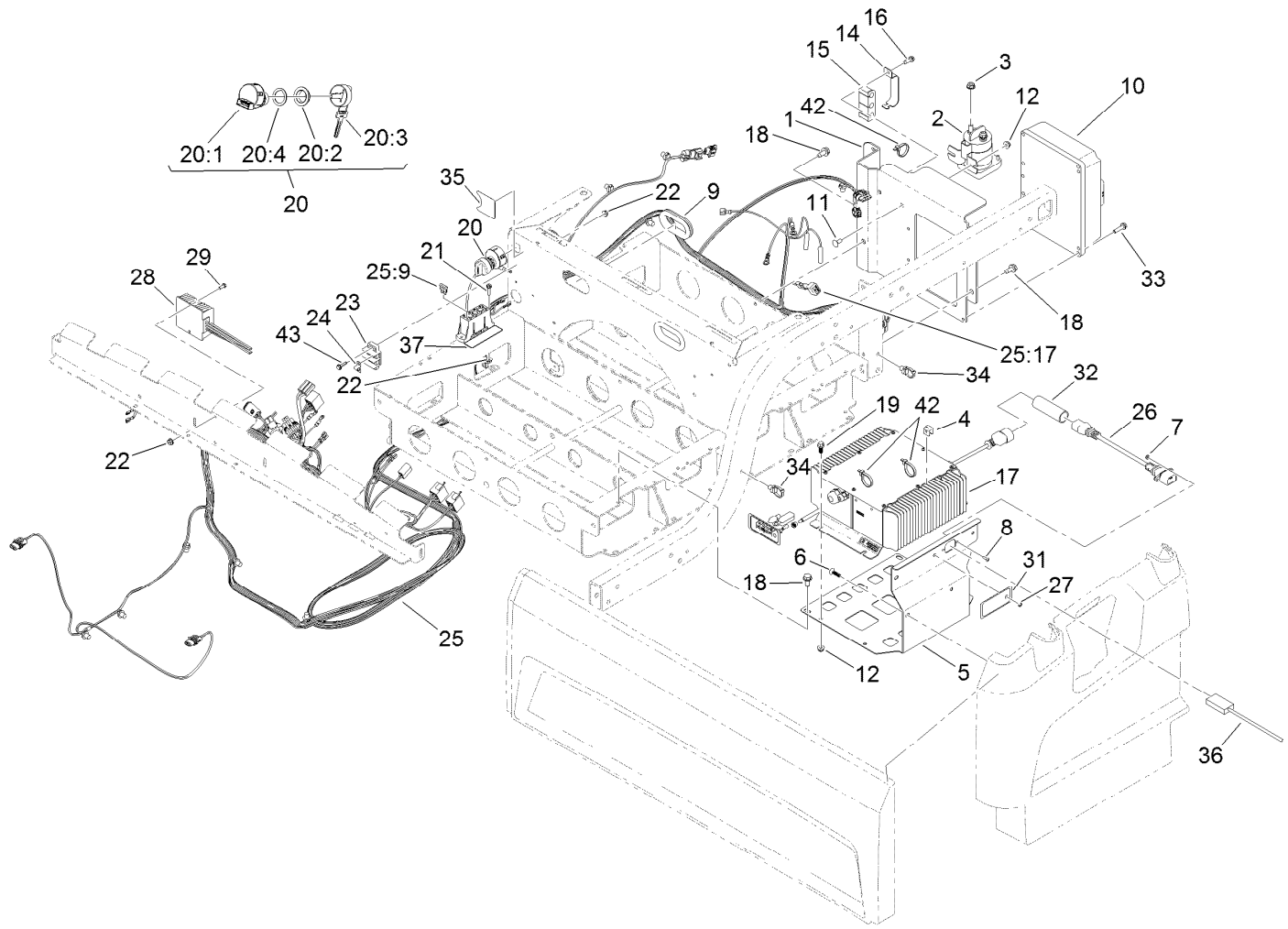
Transaxle Assembly No. 127-7439

Ref.	Part Number	Qty.	Description	Ref.	Part Number	Qty.	Description
1	133-2447	1	Housing-Axle	15	133-2461	1	Differential ASM
2	133-2448	4	Bolt-Cap, Bearing	16	133-2462	4	Bolt-HHF
3	133-2485	1	Gear-Input	17	133-2463	4	Nut-Lock
4	133-2450	3	Ring-Retaining	18	133-2487	1	Input Gear Kit
5	133-2451	3	O-Ring	19	133-2465	1	Plate-Cover
6	133-2452	1	Bearing-Ball	20	133-2466	1	Plug-HH
7	133-2453	1	Bearing-Ball	21	133-2467	10	Screw-Tapping
8	133-2454	1	Seal-Oil	22	133-2468	1	Elbow-Hose
9	133-2455	2	Plug-Cap, End	23	133-2469	1	Shaft-Axle, LH
10	133-2456	2	Bearing-Ball	24	133-2470	1	Shaft-Axle, RH
11	133-2486	1	Intermediate Gear ASM	25	133-2471	2	Seal-Oil
12	133-2458	2	O-Ring	26	133-2472	4	Ring-Retaining
13	133-2459	1	Gear-Drive, Final	27	108-2425	2	Bearing-Ball
14	133-2460	2	Bearing-Ball	28	108-2409	1	Internal Gear Kit



Electric Motor Assembly No. 131-8485

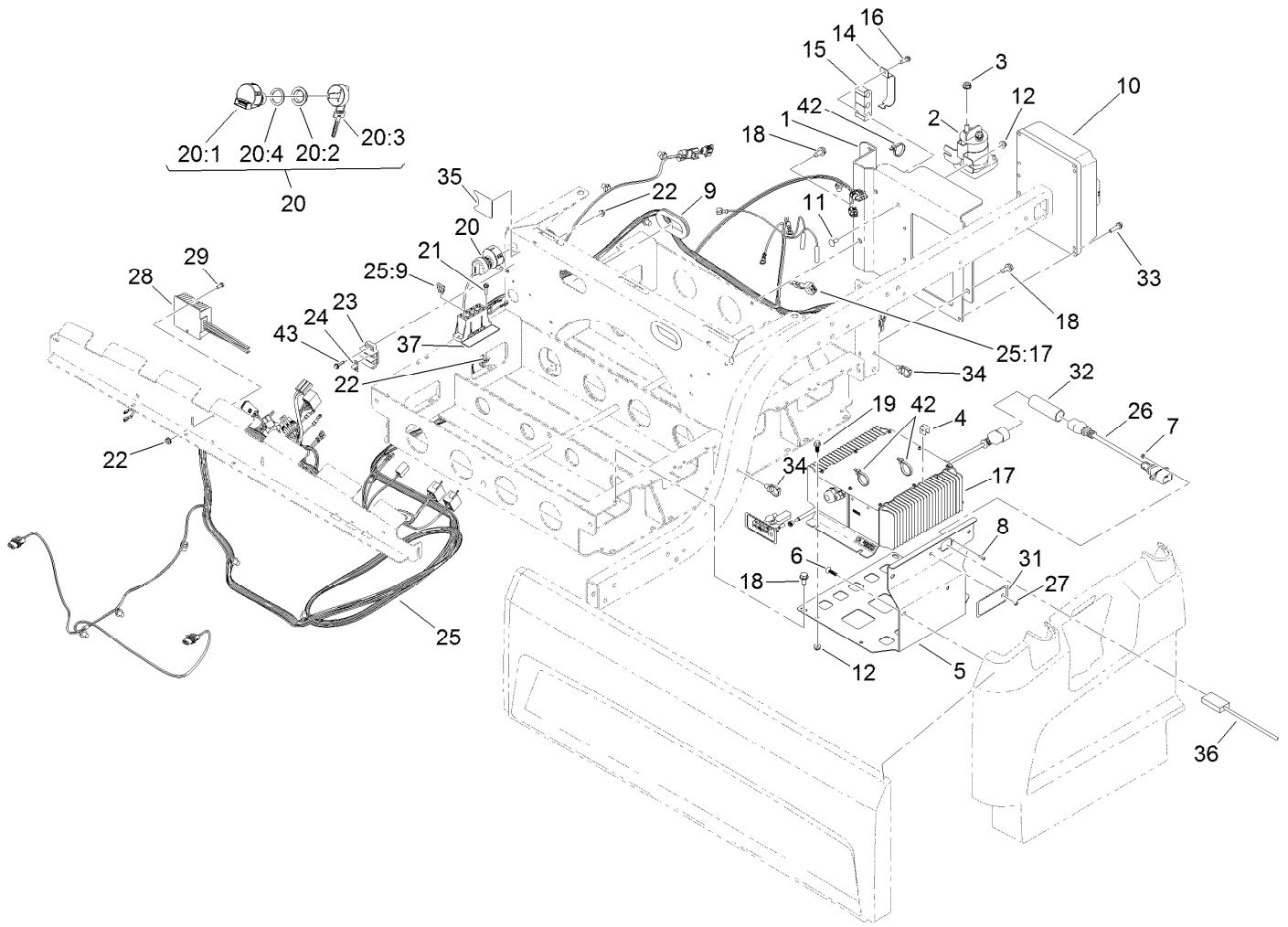
Ref.	Part Number	Qty.	Description
1	132-4924	1	Bracket-End, Drive
3	132-4925	1	Sensor
4	132-4926	1	Screw
6	132-4927	1	Plate-Connection
7	132-4928	1	Bracket-End, Rear
8	132-4929	1	Bearing



Controller Assembly

Ref.	Part Number	Qty.	Description	Ref.	Part Number	Qty.	Description
1	131-8415-03	1	Bracket-Controller	19	99-6810	4	Screw-HHF
2	104-7136	1	Contactora-48V	20	110-2580	1	Switch-Key, Supervisor
3	107-0380	2	Nut-HHF	20:1		1	Switch-Key ●
4	32180-082	1	Clip-Edge W/Tie, Perpendicular	20:2	108-8660	1	Nut-Mounting
5	131-8483-03	1	Bracket-Charger	20:3	110-5221	1	Set-Key, Supervisor
6	120-2349	4	Screw	20:4	108-8659	1	Washer-Backup
7	3296-9	2	Nut-Lock	21	32105-13	2	Screw-HWH
8	3249-3	2	Screw-PRH	22	3290-148	4	Nut-HF
9	240-12	2	Grommet	23	42862	1	Block-Terminal, Ground
10	127-2767	1	Controller-Sevcon	24	42863	1	Strip-Jumper
11	3229-11	2	Screw-CARR	25	122-0524	1	Harness-Wire, 48V Vehicle
12	104-7201	6	Nut-HF	25:9	117-4724	1	Fuse-Blade, 10A
14	131-8482	1	Retainer-Isolator	25:17	100-4918	1	Diode
15	131-8420	1	Isolator-Clamp	26	131-8497	1	Cordset
16	49-2040	1	Screw-HWHTF	27	131-8499	1	Holder-LED
17	131-8490	1	Charger-48V Onboard	28	131-8509	1	Converter-48V To 12V
18	32144-70	5	Screw-HWHTF	29	32105-8	2	Screw-SHH
				31	131-8495	1	Decal-Function, Charger

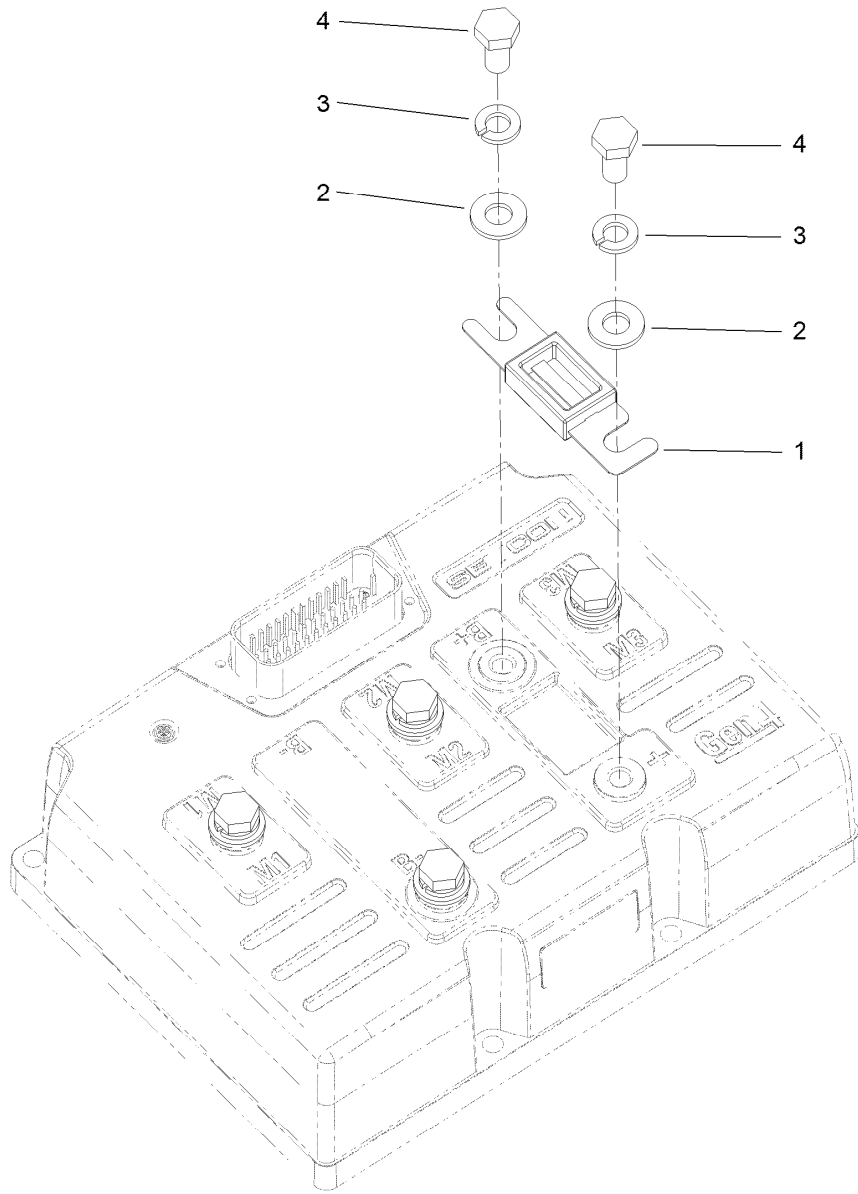
● Not serviced separately



Controller Assembly (continued)

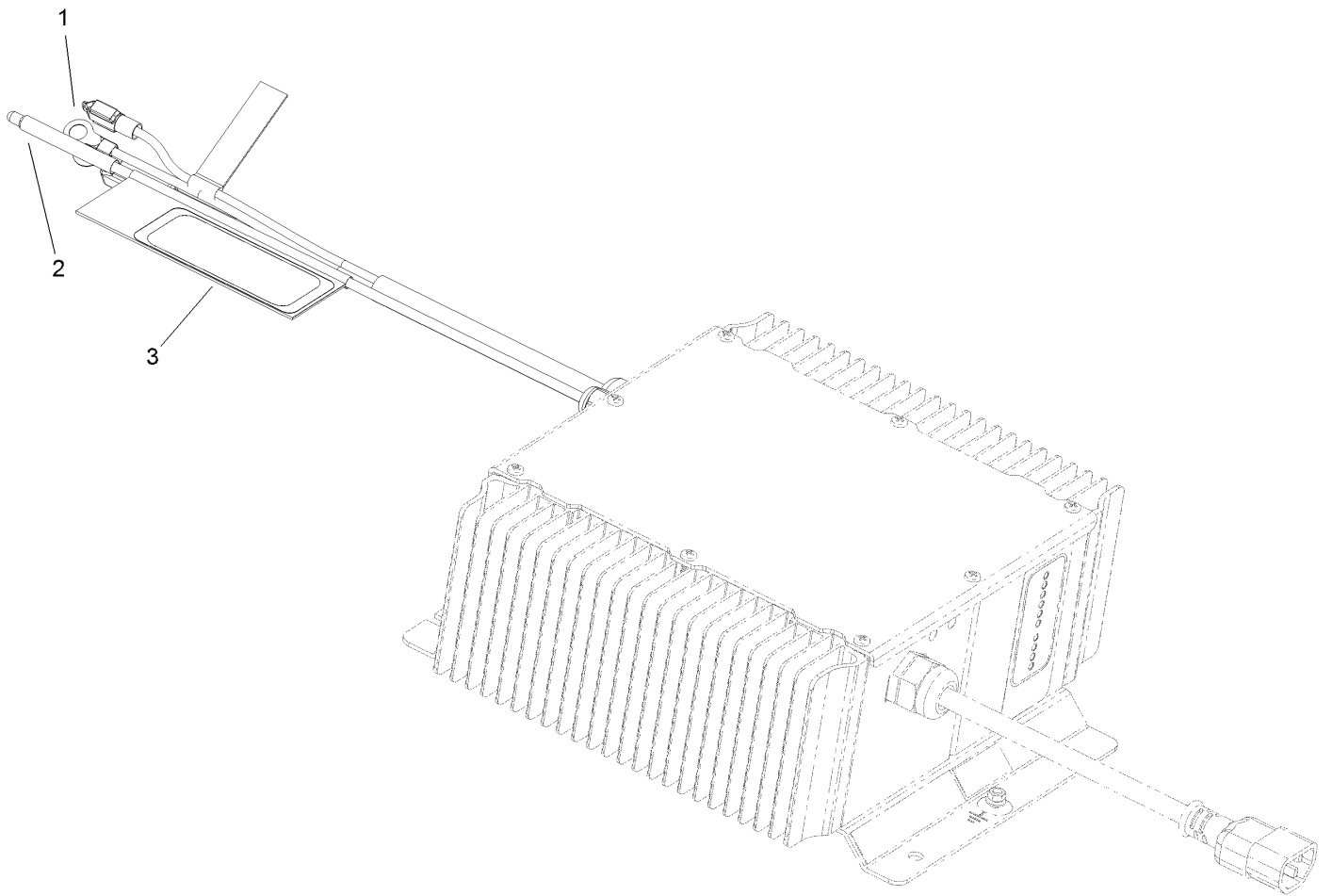
<i>Ref.</i>	<i>Part Number</i>	<i>Qty.</i>	<i>Description</i>	<i>Ref.</i>	<i>Part Number</i>	<i>Qty.</i>	<i>Description</i>
32	107-0341	1	Tube-Shrink, Heat	36	107-0383	1	Powercord-AC, U.K.
33	32144-86	4	Screw-HWHTF	36	107-0384	1	Powercord-AC
34	32180-030	3	Clip-Tie	37	131-8551	1	Decal-Fuse Block, 48V
35	131-8527	1	Decal-Mode	42	3290-378	3	Tie-Cable
36	107-0382	1	Powercord-AC, Europe	43	100-4351	2	Screw-HWH

● Not serviced separately



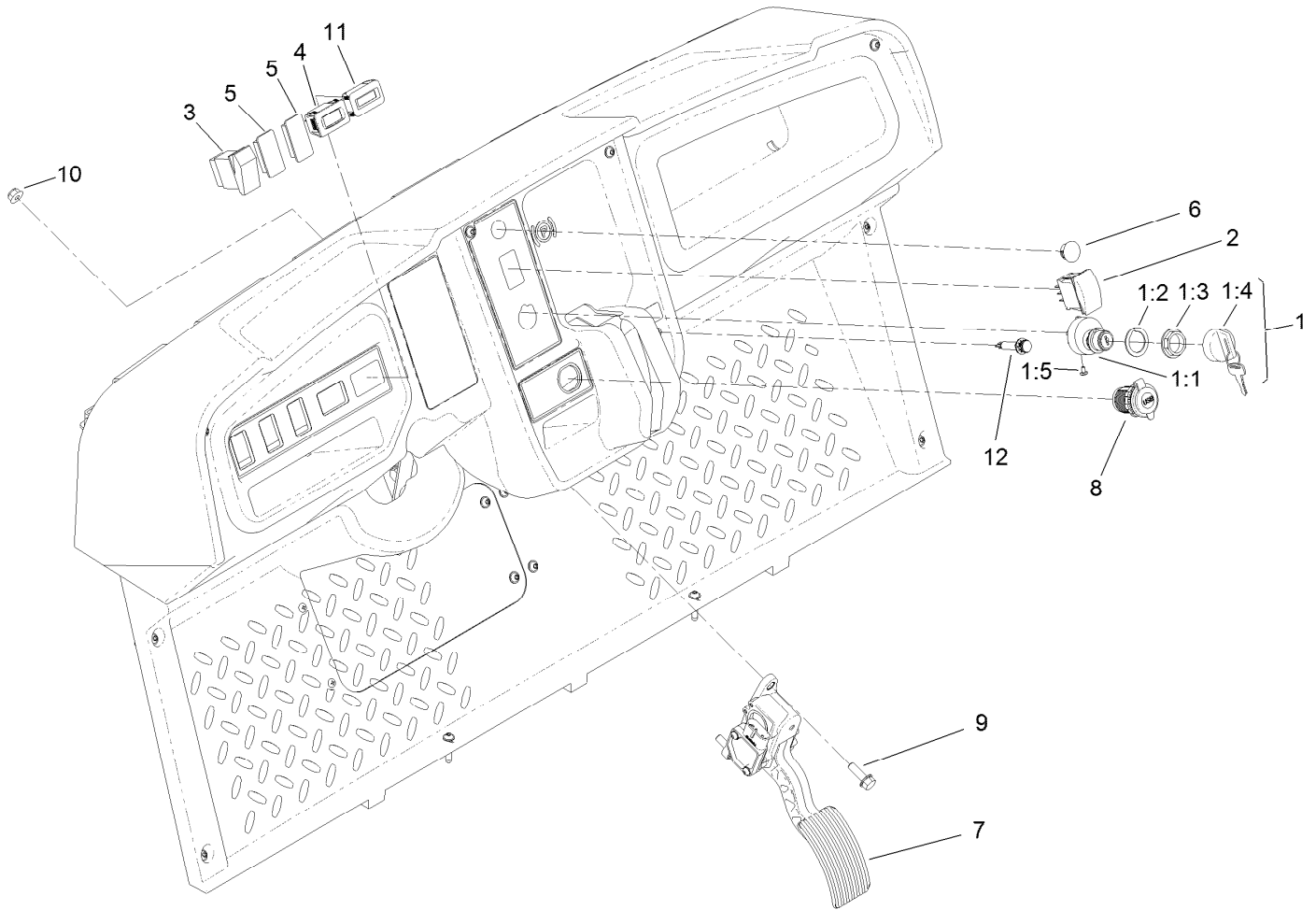
Sevcon Controller Assembly No. 127-2767

<i>Ref.</i>	<i>Part Number</i>	<i>Qty.</i>	<i>Description</i>
1	131-8494	1	Fuse-425 Amp
2	33094-00	6	Washer-Plain
3	3253-4	6	Washer-Lock
4	33114-016	6	Screw-HH



Onboard Charger Assembly No. 131-8490

<i>Ref.</i>	<i>Part Number</i>	<i>Qty.</i>	<i>Description</i>
1	131-8511	1	Thermister Repair Kit
2	131-8512	1	Remote LED
3	131-8495	1	Decal-Function, Charger



Accelerator Pedal and Key Switch Assembly

Ref.	Part Number	Qty.	Description
1	120-4815	1	Switch-Key, 48V
1:1		1	Switch-Key ●
1:2	108-8659	1	Washer-Backup
1:3	108-8660	1	Nut-Mounting
1:4	106-5270	1	Ignition Key Set
1:5	3250-28	3	Screw
2	122-0784	1	Switch-Rocker, On-Off-On
3	95-8999	1	Switch
4	120-2244	1	Hourmeter

Ref.	Part Number	Qty.	Description
5	99-7420	2	Plug-Hole
6	94-5627	1	Plug
7	121-9675	1	Accelerator Pedal ASM
8	131-8388	1	Socket-USB
9	3234-29	3	Screw-HHF
10	104-8300	3	Nut-HF, NI
11	131-8381	1	Gauge-Battery
12	131-8383	1	Light-Indicator

● Not serviced separately

Attachments and Accessories

For 07043 Workman GTX Electric Utility Vehicle with Bucket Seat

Product Name	Model/Part
Hose Reel Mounting Kit	07027
Trash Can Mounting Kit	07028
Walk Spreader Mounting Kit	07029
Bed Rack Kit	07031
ROPS Kit	07032
Crated Finishing Kit	07045
Cargo Bed Kit	07046
Bench Seat Base Kit	07047
Bucket Seat Base Kit	07048
Extension Kit.....	07049
Multi-passenger Kit.....	07133
Bucket Seat Base Kit (2016).....	07134
Bench Seat Base Kit (2016).....	07135
Canopy Kit	07140
Canopy Kit, Multi-passenger Workman GTX Utility Vehicle	07141
Cab Kit.....	07142
48V Electric Lift Kit.....	07143
Brush Guard Kit	07145
Front Hitch Kit, Workman GTX Series Utility Vehicles with Brush Guard	07146
Front Hitch Kit, Workman GTX or MDX Series Utility Vehicles without Brush Guard	07147
Steel Flat Bed Kit	07148
Extended Bed Kit	07149
Storage Box Kit.....	07156
Ball Picker Mounting Bracket Kit.....	07157
6in L-Track Kit.....	07158
2in L-Track Kit.....	07159
48V 6 Foot Bed Electric Lift Kit.....	07168
Aggressive Tire Kit.....	07423
Tire-20 8.00-10	116-7333
Hand Pump Hose Asm	131-8522
Reverse Alarm Kit.....	131-8549
Power Point Kit	131-8550
Power Converter Kit.....	133-0959
Horn Kit.....	133-3017
Class 1 Draw Bar Kit.....	133-3095
Mount-Ball	133-7116
Brake and Signal Light Kit.....	133-7127
Road Light and Homologation Kit	133-7128
Front Spring Kit.....	133-7145
Canopy Mount Kit, Workman GTX Utility Vehicle with Extended Flatbed	133-7160
Cab Mount Kit, Workman GTX Utility Vehicle with Extended Flatbed	133-7198
Service Hood ASM	133-7209
MVP Kit 400 Hour	136-6280



Count on it.