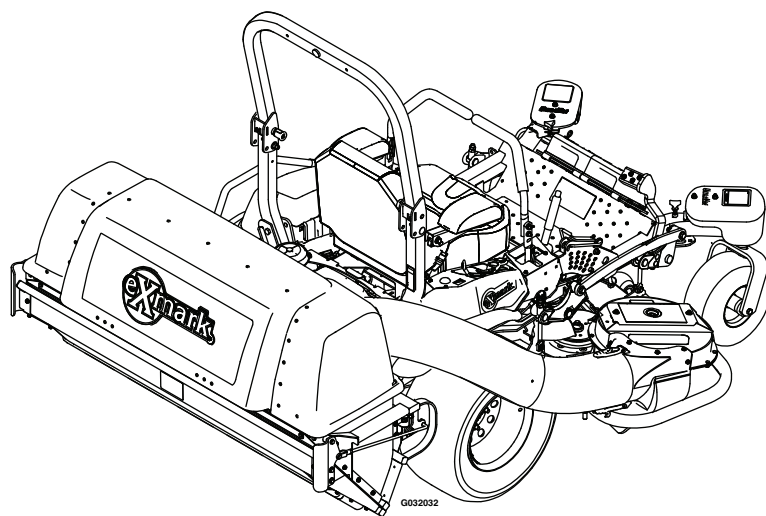




ULTRAVAC® QUICK DUMP SYSTEM

Model No. LZUVQD7—Serial No. 402082300 and Up

Picture below may not reflect actual product.



Parts Manual

Ordering Replacement Parts

To order replacement parts, please supply the part number, the quantity, and the description of each part desired.

Understanding Reference Numbers

Each identified part in an illustration has a reference number. The reference number for a part also appears in the parts list, along with other information about the part.

This catalog uses two special reference number formats, one to indicate parts in a service assembly and another to indicate the quantity of a given part in an illustration.

Service Assembly Reference Numbers

Parts in service assemblies have reference numbers in the form a:b. The a represents the reference number of the entire service assembly and the b represents a sequential number unique to each part within the service assembly.

For example, a wheel assembly might be identified by reference number 6, the tire by 6:1, the valve by 6:2, and the wheel by 6:3. When you order the assembly identified by reference number 6, you receive all parts identified by reference numbers 6:1, 6:2, and 6:3. However, you may also order any part individually. Reference numbers of this type appear in illustration and in parts lists.

Reference Numbers Indicating Quantity

In an illustration, if a reference number indicates more than one part, the reference number has the form nX y. The n represents the quantity of the part, the X is the multiplication symbol, and the y represents the reference number.

For example, in an illustration, the reference number 2X 37 means that two of the parts identified by reference number 37 are indicated.

Touch Up Paint

Exmark black touch up spray paint – gloss black.

Exmark red touch up paint (spray paint – P/N 1-850337 - .6 oz liquid bottle – P/N 103-9140).

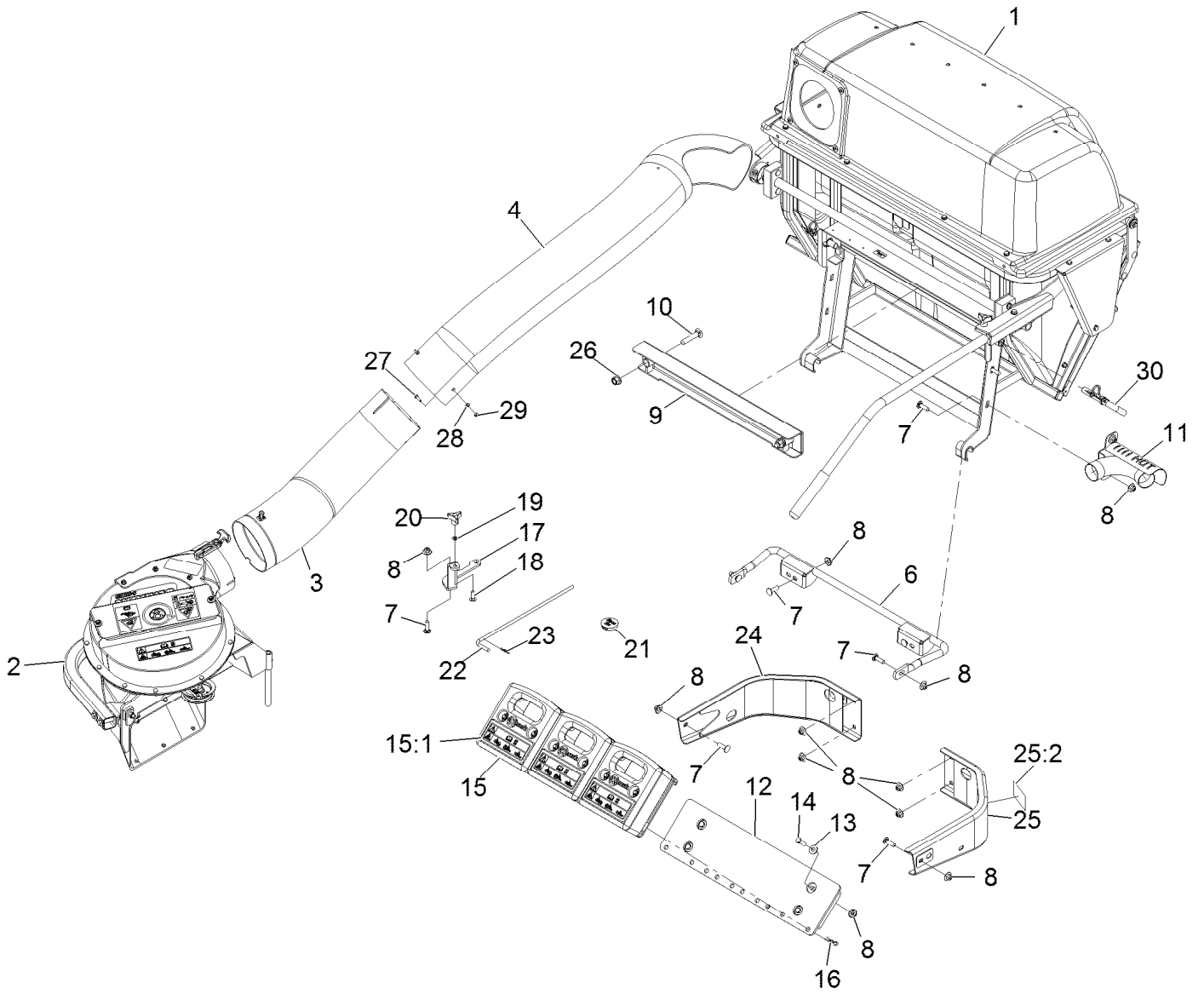


If your Exmark dealer does not have the Exmark part in stock, Exmark will get the parts to the dealer the next business day or the part will be FREE Guaranteed!! (Some restrictions apply. See your participating Exmark Dealer for details.)

Contents

LZUVQD7 Assembly	4
Hopper Assembly No. 109-5909	6
Door Assembly No. 103-6270	8
Hood Assembly No. 103-6232	10
Blower Assembly No. 109-9832	12
Idler Assembly	14
Lower Tube Assembly No. 109-2043	16
Completing Kit No. 109-9623	18
Completing Kit No. 109-9624	20
Completing Kit No. 109-9625	22
Completing Kit No. 109-9622	24
Completing Kit No. 116-2084	26
Completing Kit No. 116-2085	28

LZUVQD7 Assembly

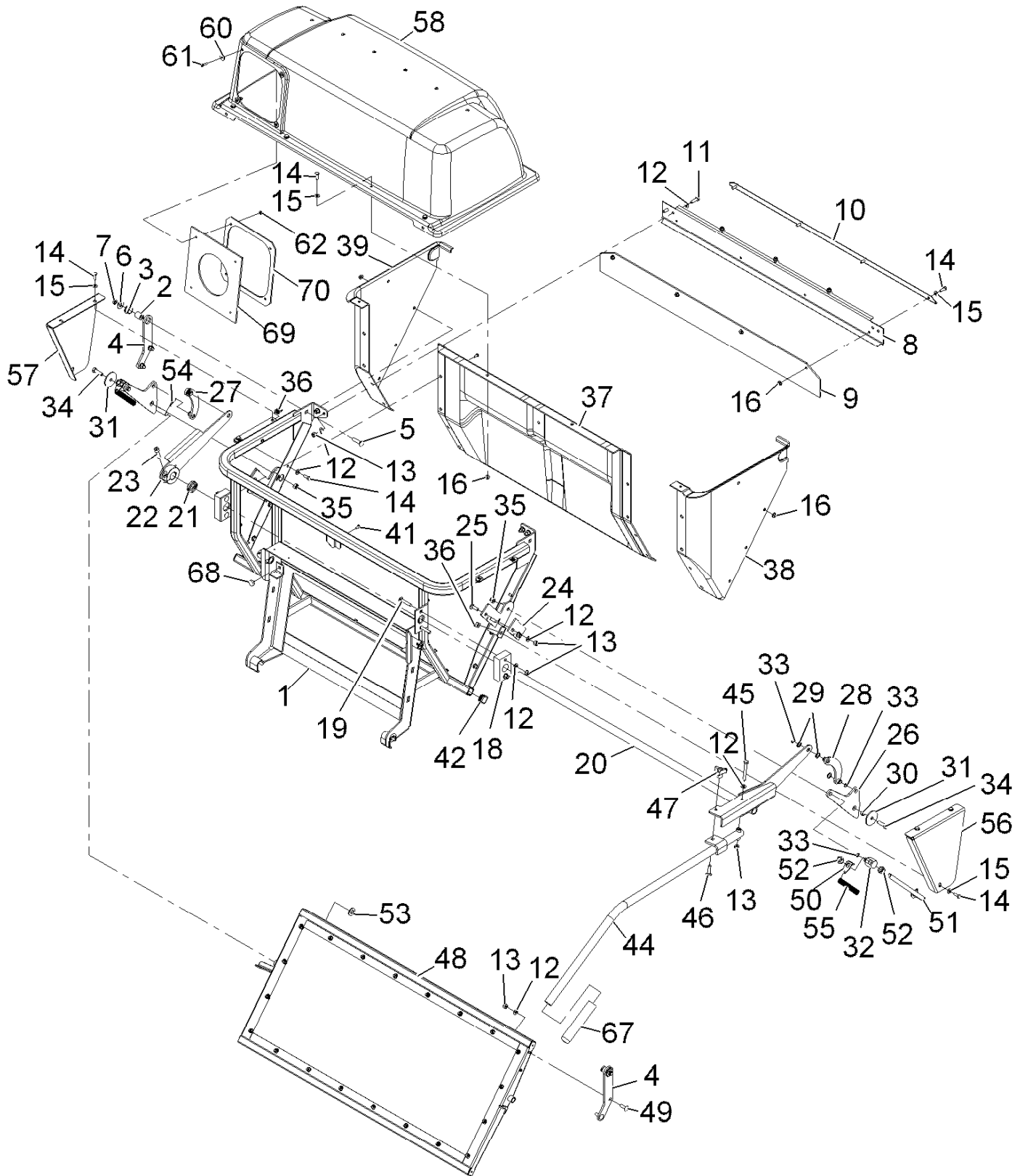


LZUVQD7 Assembly (continued)

<i>Ref.</i>	<i>Part Number</i>	<i>Qty.</i>	<i>Description</i>	<i>Ref.</i>	<i>Part Number</i>	<i>Qty.</i>	<i>Description</i>
1		1	ASM,Hopper Sm Qds ●	16	9335124	6	Hairpin-Cotter
2	109-9832	1	ASM, Blower Small - Svc Only	17	116-0161-01	1	Bracket, Small Uv Belt Cover
3	109-2043	1	Lower Tube ASM	18	3230-2	1	Bolt-Carriage 5/16-18 X 1
4	109-2036	1	Tube-Upper	19	109-5667	1	Ring-Bolt Retaining
6	109-9248	1	Mount-Bagger, Lower	20	1-323385	1	Knob-3 Prong
7	3231-28	10	Bolt-Carriage 3/8-16 X 1 1/4	21	103-1279	1	Plug
8	109-6658	18	Nut-Nyloc 3/8-16 Flg	22	109-3458	1	Pin, Chute Pivot
9	116-0473-03	1	Mount-Bagger, Upper	23	1-806003	1	Hairpin-Cotter
10	3233-34	2	Bolt-Carriage 1/2-13 X 2 1/2	24	116-0057-03	1	Bumper-RH
11	116-2804	1	Exhaust Diverter ASM	25	116-0180	1	LH Bumper ASM
12	116-1129-01	1	Wld, Mount Toeboard Weight	25:2	106-5517	1	Decal-Warning
13	3256-4	4	Washer-3/8 Std	26	99-5107	2	Nut-Lock 1/2-13
14	323-7	4	Screw-HH 3/8-16 X 1 1/4	27	32105-13	3	Screw-HWH #10-24 X 3/4
15	103-6363	3	Asm, Weight (103-6364-01) W/Decals	28	3256-14	3	Washer-#10 Std
15:1	126-4661	1	Decal-Warning Weight	29	3296-2	3	Nut-Nyloc #10-24
				30	116-0458	2	Pin-Mount, Bagger

● Not serviced separately

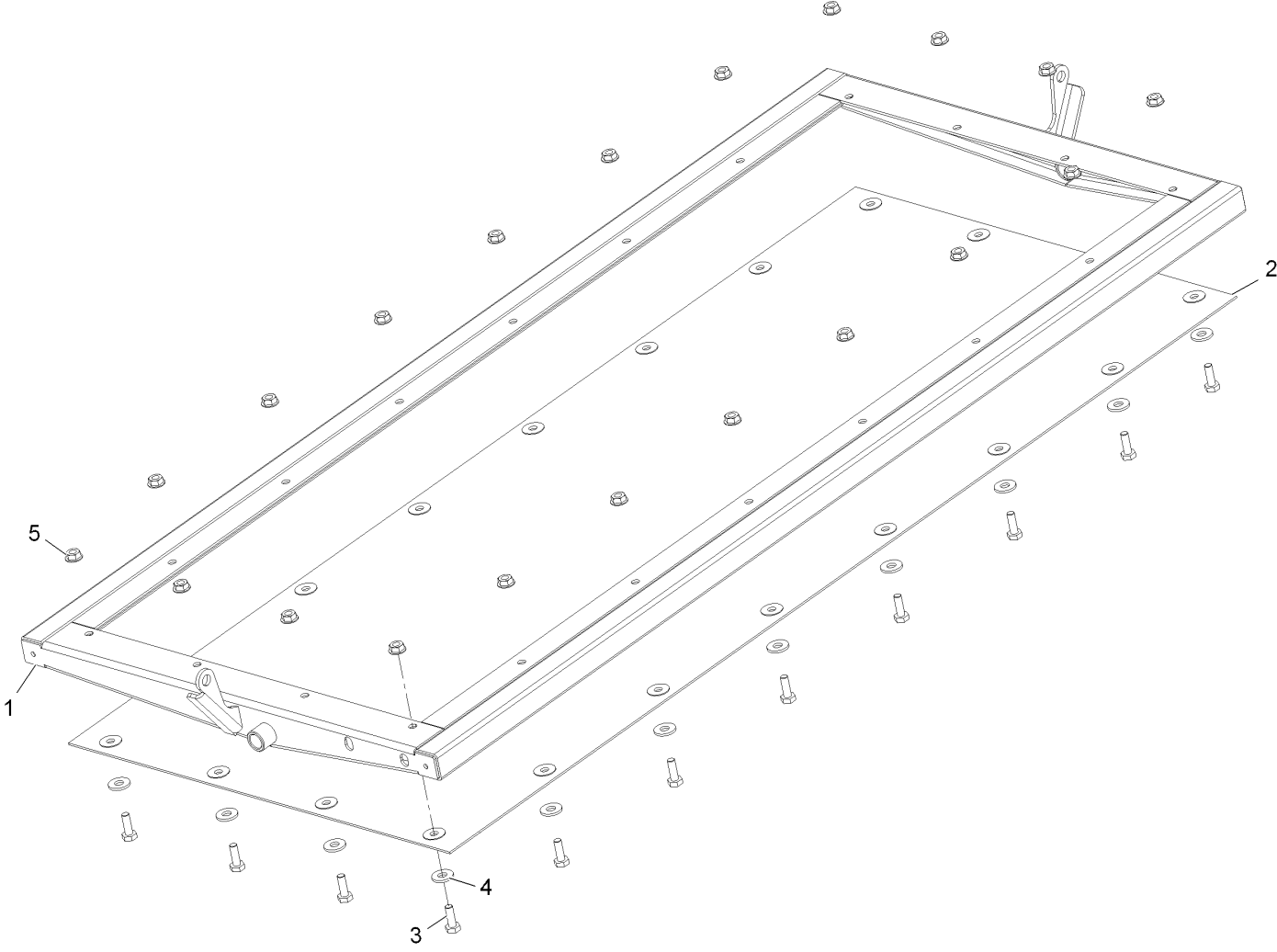
Hopper Assembly No. 109-5909



Hopper Assembly No. 109-5909 (continued)

<i>Ref.</i>	<i>Part Number</i>	<i>Qty.</i>	<i>Description</i>	<i>Ref.</i>	<i>Part Number</i>	<i>Qty.</i>	<i>Description</i>
1	109-8701-03	1	Frame ASM	34	323-7	2	Screw-HH 3/8-16 X 1 1/4
2	103-6294	2	Pin-Pivot, Hinge	35	3296-39	2	Nut-Nyloc 3/8-16
3	103-6295	2	Bearing	36	107069	6	Nut-Retainer-Panel 1/4-20
4	103-4820-03	2	Plate, Hinge	37	103-5102	1	Panel-Bagger
5	3231-4	2	Bolt-Carriage 3/8-16 X 1 1/2	38	103-7828	1	Panel-Bagger, LH
6	3256-4	2	Washer-3/8 Std	39	103-7829	1	Panel-Bagger, RH
7	3296-59	2	Nut-Nyloc 3/8-16 Thin	41	114439	14	Rivet
8	103-4412-03	1	Plate-Rear	42	103-3202	2	Cap
9	103-4832	1	Seal-Door	44	109-8506-03	1	Handle-Qd7
10	103-4834-03	1	Strap-Hold Down	45	322-12	1	Screw-HH 5/16-18 X 2 1/2
11	322-5	4	Screw-HH 5/16-18 X 1	46	3230-3	1	Bolt-Carriage 5/16-18 X 1 1/4
12	3256-23	27	Washer-5/16 SAE	47	1-323385	1	Knob-3 Prong
13	3296-29	17	Nut-Nyloc 5/16-18	48	103-6270	1	Asm, Door
14	321-4	23	Screw-HH 1/4-20 X 3/4	49	3230-22	4	Bolt-Carriage 5/16-18 X 1 Sp
15	3256-22	14	Washer-1/4 SAE	50	103-4835	2	Anchor-Spring
16	32128-33	17	Nut-Whizlock 1/4-20	51	103-4822	2	Link-Door
18	103-4402	2	Bearing	52	3219-5	4	Nut-Hex 1/2-20
19	3230-5	4	Bolt-Carriage 5/16-18 X 1 3/4	53	3256-26	2	Washer-1/2 SAE
20	103-5114-03	1	Bellcrank	54	1-806003	2	Hairpin-Cotter
21	103-4433	1	Shaft-Collar	55	103-4813	2	Spring
22	103-8835-03	1	Link	56	103-4437-03	1	Guard-LH
23	3274-1	1	Screw-Sh 3/8-16 X 1 1/4	57	103-4819-03	1	Guard-RH
24	103-4408-03	2	Stop-Linkage	58	103-6232	1	Asm, Hood
25	3230-2	4	Bolt-Carriage 5/16-18 X 1	60	3256-61	4	Washer
26	103-4424	2	Arm-Linkage, Door	61	3250-27	4	Screw-PPH #10-24 X 7/8
27	103-5111	1	Link-RH	62	3296-2	4	Nut-Nyloc #10-24
28	103-5112	1	Link-LH	67	103-7115	1	Handle-Grip
29	94-8196	6	Washer-Nylon	68	1-513658	2	Bumper
30	103-4415	2	Bearing-Linkage, Pivot	69	1-653561	1	Seal-Chute
31	103-4431	2	Washer	70	1-653598-03	1	Clamp-Seal
32	103-4848	2	Trunnion-Link				
33	32151-61	6	Ring-Retaining				

Door Assembly No. 103-6270

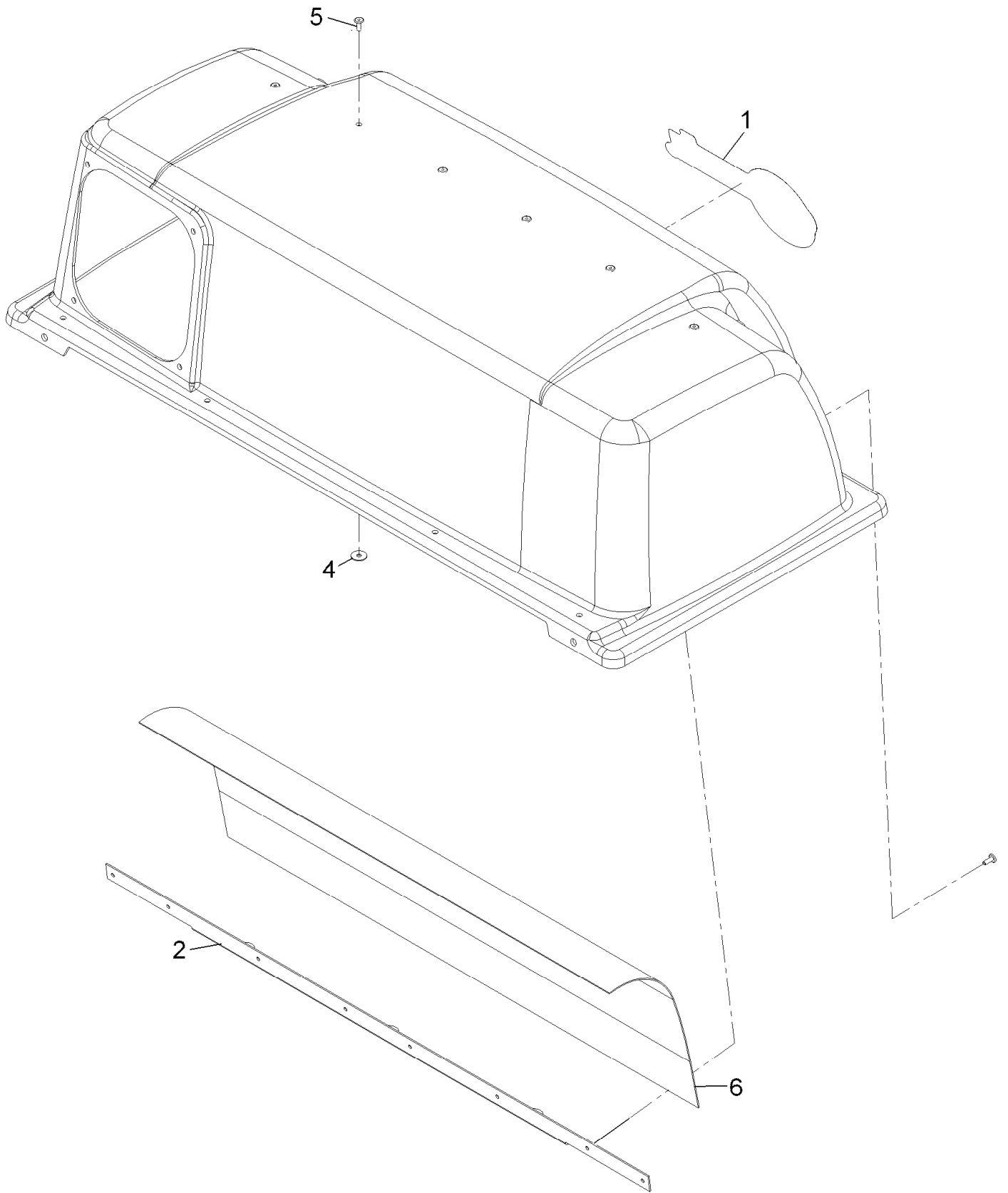


Door Assembly No. 103-6270 (continued)

<i>Ref.</i>	<i>Part Number</i>	<i>Qty.</i>	<i>Description</i>
1	103-4406-03	1	Door-Frame
2	103-4828	1	Screen-Door
3	321-4	20	Screw-HH 1/4-20 X 3/4

<i>Ref.</i>	<i>Part Number</i>	<i>Qty.</i>	<i>Description</i>
4	3256-2	20	Washer-1/4 Std
5	32128-33	20	Nut-Whizlock 1/4-20

Hood Assembly No. 103-6232

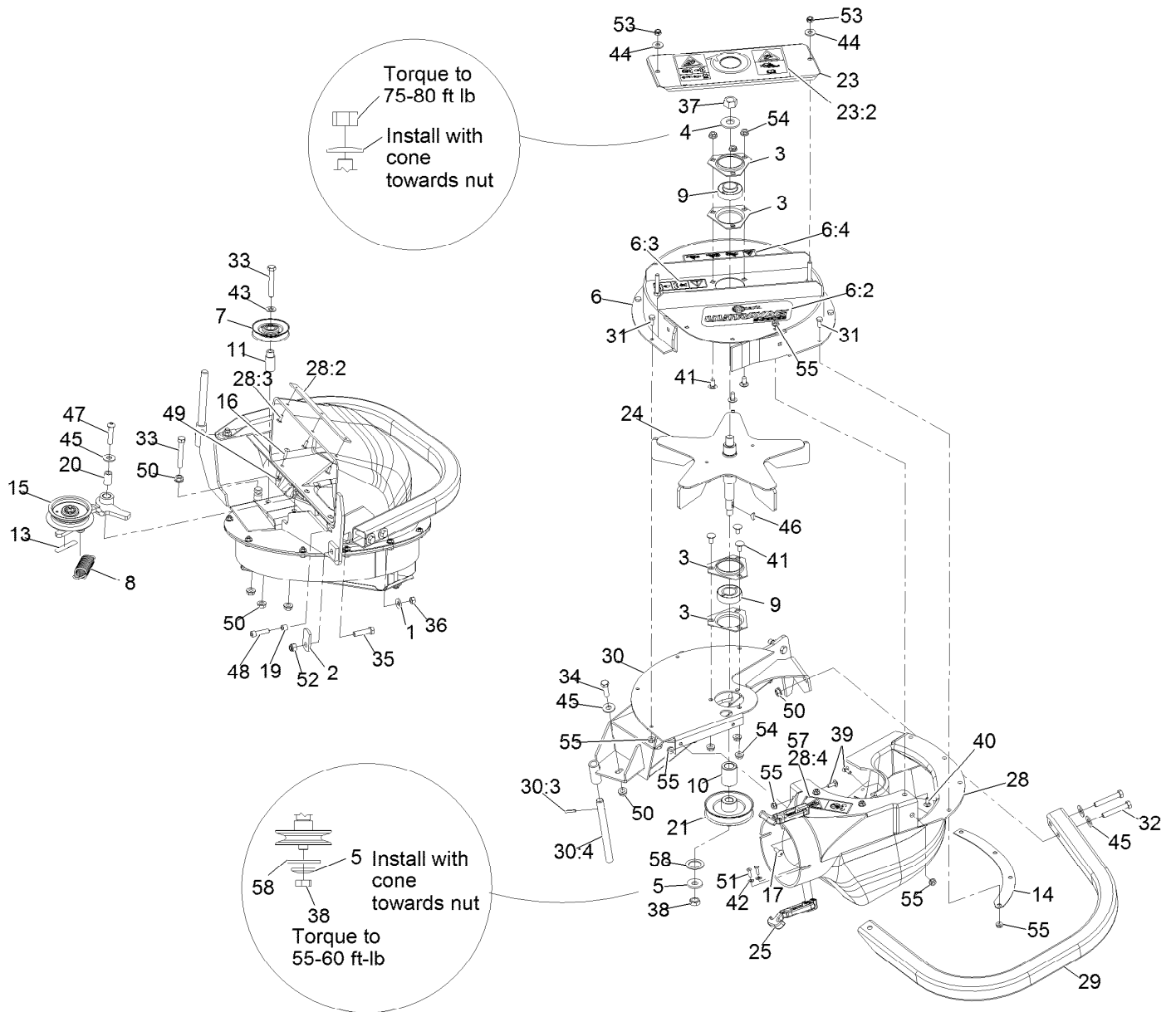


Hood Assembly No. 103-6232 (continued)

<i>Ref.</i>	<i>Part Number</i>	<i>Qty.</i>	<i>Description</i>
1	126-6991	1	Decal-Exmark Logo
2	103-5101-03	1	Support-Screen
4	3256-61	10	Washer

<i>Ref.</i>	<i>Part Number</i>	<i>Qty.</i>	<i>Description</i>
5	114439	18	Rivet
6	114967	1	Screen-Bagger

Blower Assembly No. 109-9832



Blower Assembly No. 109-9832 (continued)

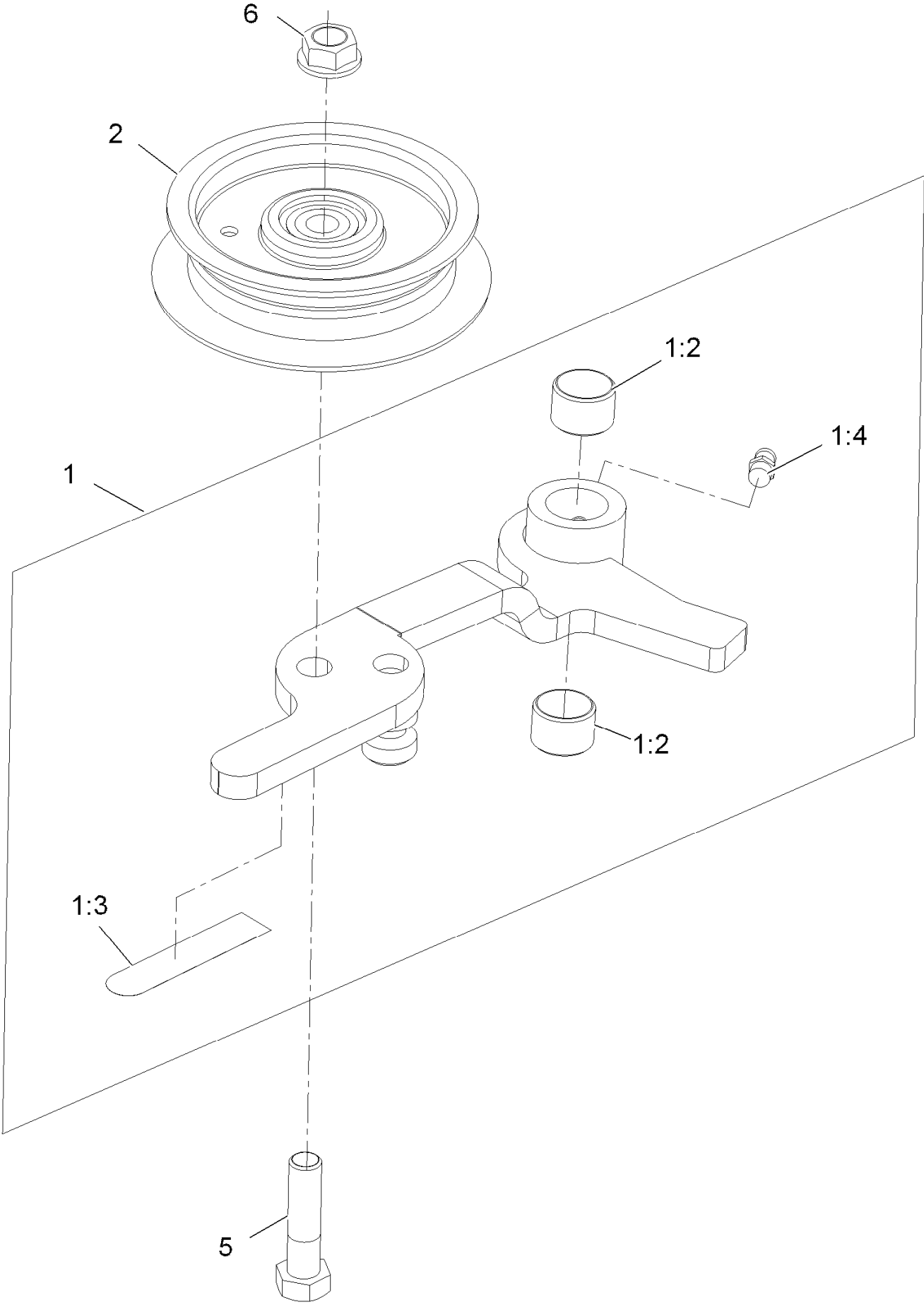
<i>Ref.</i>	<i>Part Number</i>	<i>Qty.</i>	<i>Description</i>	<i>Ref.</i>	<i>Part Number</i>	<i>Qty.</i>	<i>Description</i>
1	1-303334	1	Washer-Spring Disc 5/16	29	109-1122-01	1	Bumper
2	1-353054	1	Latch-Catcher, Grass	30	109-9362-03	1	Weld, Frame Sm Blower
3	1-513013	4	Housing-Flange	30:3	1-806323	1	Rollpin 3/16 X 7/8
4	1-513208	1	Washer-Spring Disc 5/8	30:4	1-353050	1	Shaft-Catcher, Grass
5	1-513435	1	Washer-Spring Disc 1/2	31	321-3	8	Screw-HH 1/4-20 X 5/8
6	116-4817	1	ASM-Upper Housing Small	32	323-11	2	Screw-HH 3/8-16 X 2 1/4
6:2	126-7211	1	Decal-Ultravac S-Series	33	323-12	2	Screw-HH 3/8-16 X 2 1/2
6:3	112-9028	1	Decal-Missing, Cover	34	323-7	1	Screw-HH 3/8-16 X 1 1/4
6:4	126-4661	1	Decal-Warning Weight	35	323-8	1	Screw-HH 3/8-16 X 1 1/2
7	1-653322	1	Idler-Inside	36	3217-6	1	Nut-Hex 5/16-18
8	1-653331	1	Spring	37	3219-6	1	Nut-Hex 5/8-18
9	1-653346	2	Bearing ▲	38	3220-5	1	Nut-Jam 1/2-20
10	1-653365	1	Spacer	39	3229-1	2	Bolt-Carriage 1/4-20 X 3/4
11	1-653366	1	Spacer	40	3229-11	3	Bolt-Carriage 1/4-20 X 5/8
13	126-4659	1	Decal-Warning	41	3230-18	6	Bolt-Carriage 5/16-18 X 5/8
14	1-653596-03	1	Plate-Backing, Blower	42	3256-14	4	Washer-#10 Std
15		1	ASM, Idler ●	43	3256-24	1	Washer-3/8 SAE
16	1-803075	3	Screw-Truss Head #10-24 X 3/4	44	3256-3	2	Washer-5/16 Std
17	1-803076	2	Screw-PPH 1/4-20 X 3/4	45	3256-4	4	Washer-3/8 Std
19	103-0126	1	Bushing	46	3257-32	1	Key-Woodruff 3/16 X 5/8
20	103-0130	1	Bushing-Pivot, Idler	47	3274-107	1	Screw-Button Head 3/8-16 X 1 3/4
21	103-1047	1	Sheave-Blower ▲	48	3274-18	1	Screw-Sh 5/16-18 X 1 1/4
23	103-3585	1	Cover, Bearing	49	3290-148	3	Nut-Whizlock #10-24
23:2	126-4584	1	Decal-Warning	50	3290-357	7	Nut-Whizlock 3/8-16
24	103-3815	1	Impeller	51	3290-500	4	Screw-PPH #10-24 X 5/8
25	103-4080	2	Latch-Rubber ■	52	3296-39	1	Nut-Nyloc 3/8-16
28	109-1985	1	Chute, Blower (46, 50 And 56)	53	3296-47	2	Nut-Nyloc 5/16-18 Thin
28:2	103-4752-03	1	Plate-Reinforcing	54	32128-20	6	Nut-Whizlock 5/16-18
28:3	114439	3	Rivet	55	32128-33	15	Nut-Whizlock 1/4-20
28:4	126-4853	1	Decal-Warning	57	126-4853	1	Decal-Warning
				58	1-523157	1	Washer

● Not serviced separately

■ Kit No. 103-4188 - Contains catch, rubber latch, and mounting hardware

▲ Apply Mobil HTS grease (P/N 103-5217 1.5 oz packet) (or a food-grade anti-seize). See operator s manual for locations.

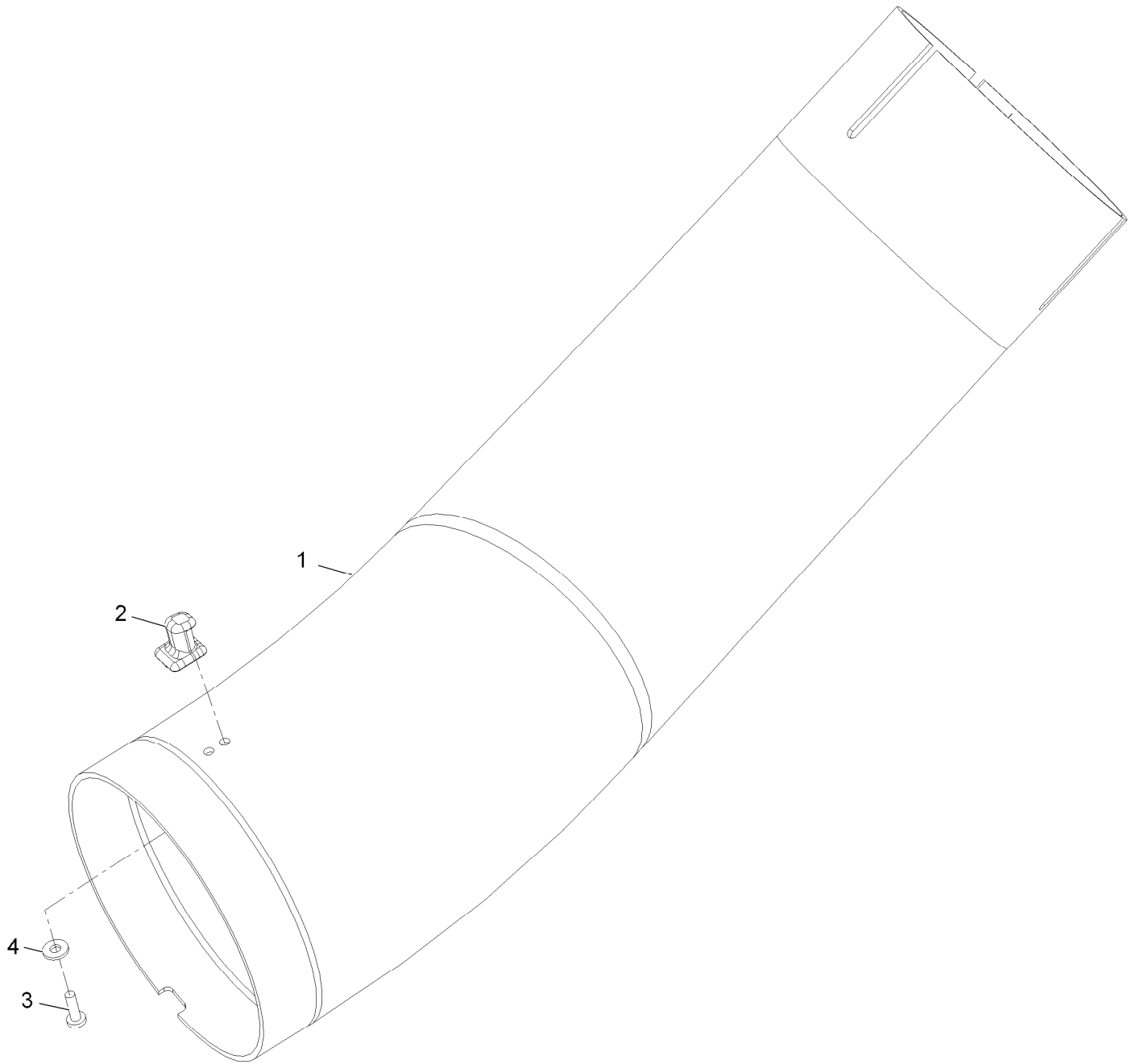
Idler Assembly



Idler Assembly (continued)

<i>Ref.</i>	<i>Part Number</i>	<i>Qty.</i>	<i>Description</i>	<i>Ref.</i>	<i>Part Number</i>	<i>Qty.</i>	<i>Description</i>
1	103-2876	1	Idler Assy With Bushings, Zerk, And Decal	1:4	302-19	1	Zerk-1/4-28 Str
1:2	1-653600	2	Bearing	2	103-1103	1	Idler-Flat
1:3	126-4659	1	Decal-Warning	5	323-8	1	Screw-HH 3/8-16 X 1 1/2
				6	3290-357	1	Nut-Whizlock 3/8-16

Lower Tube Assembly No. 109-2043

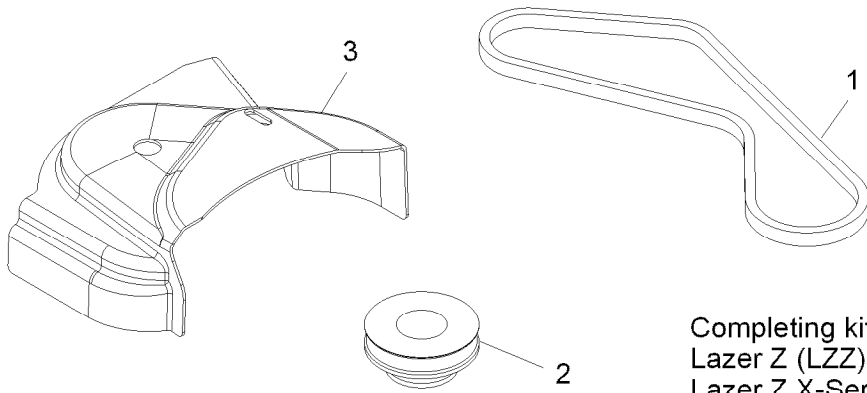


Lower Tube Assembly No. 109-2043 (continued)

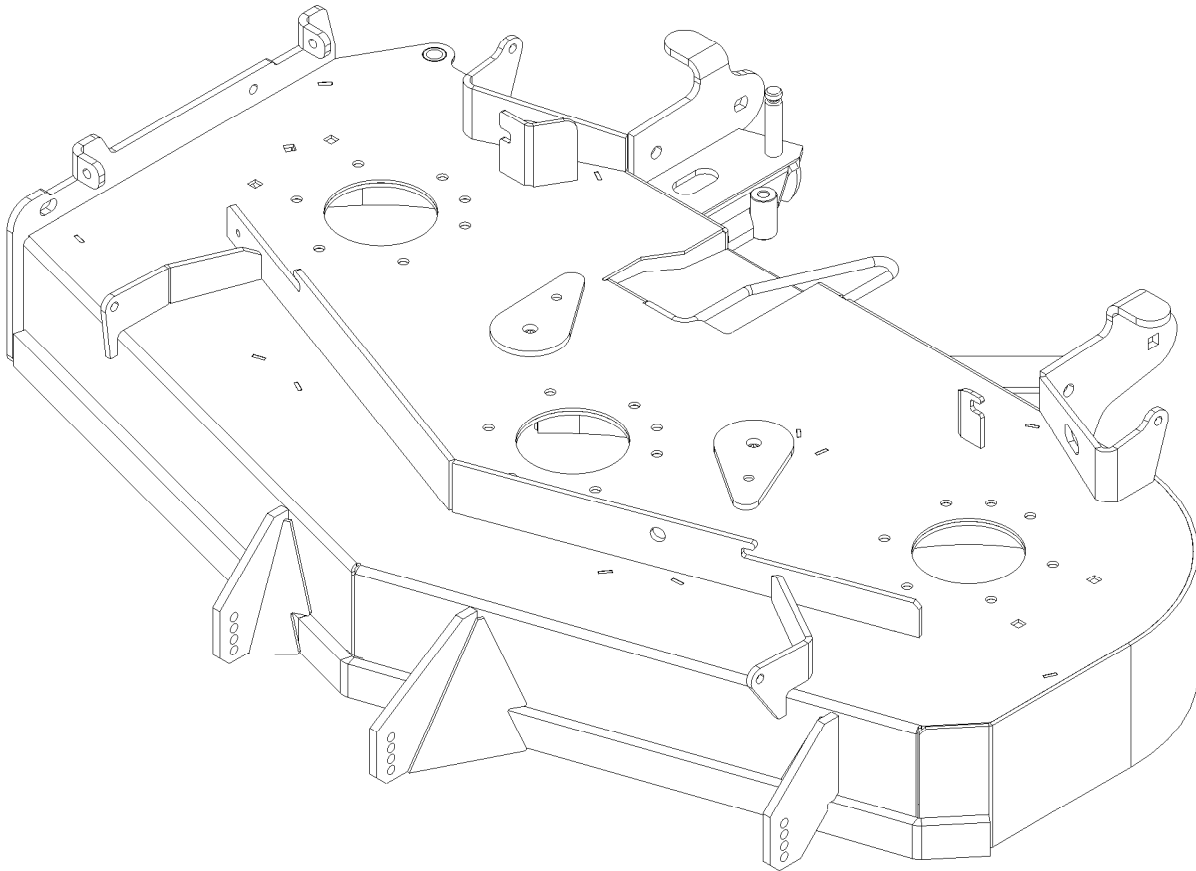
<i>Ref.</i>	<i>Part Number</i>	<i>Qty.</i>	<i>Description</i>	<i>Ref.</i>	<i>Part Number</i>	<i>Qty.</i>	<i>Description</i>
1	109-2038	1	Tube-Lower, Short	3	3290-500	2	Screw-PPH #10-24 X 5/8
2	103-4081	2	Latch-Keeper ●	4	3256-14	2	Washer-#10 Std

● Kit No. 103-4188 - Contains catch, rubber latch, and mounting hardware

Completing Kit No. 109-9623



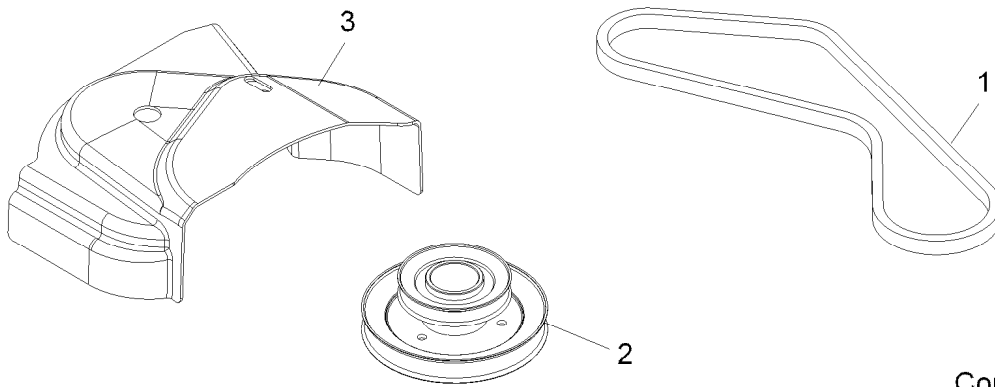
Completing kit fits all
Lazer Z (LZZ) Serial Nos. 790,000-919,999 and
Lazer Z X-Series (LZX) Serial Nos. 920,000 and Higher
with 48 inch decks



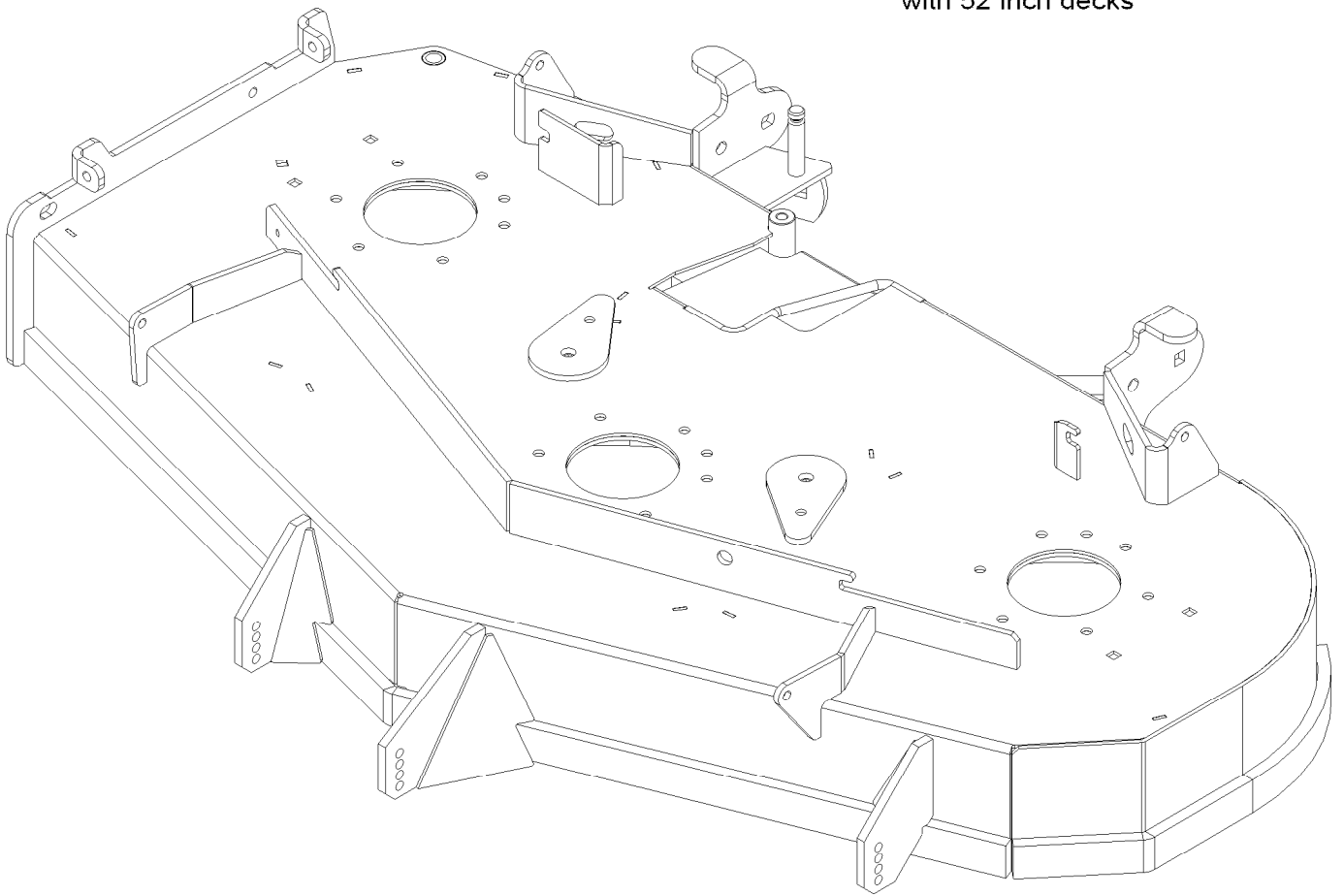
Completing Kit No. 109-9623 (continued)

<i>Ref.</i>	<i>Part Number</i>	<i>Qty.</i>	<i>Description</i>
1	1-653333	1	Belt, Blower (48")
2	109-9631	1	Blade, Extreme 72
3	109-9382	1	Cover,Belt Uv 48

Completing Kit No. 109-9624



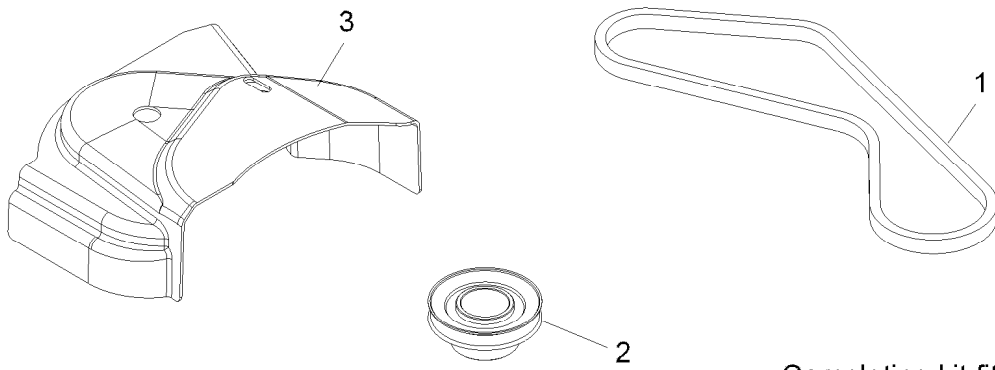
Completing kit fits all
Lazer Z Advantage Series (LZAS)
Serial Nos. 790,000-919,999
with 52 inch decks



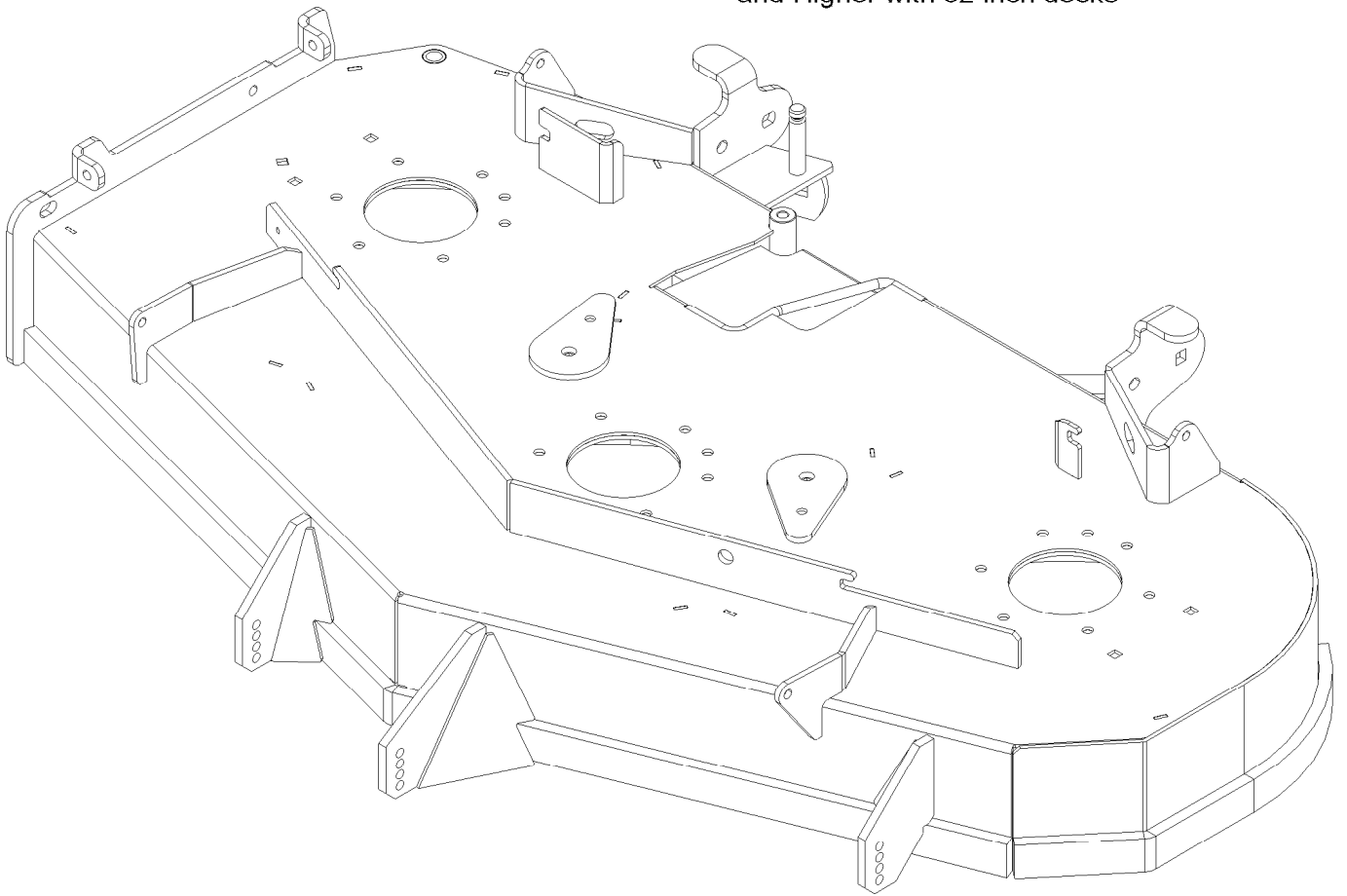
Completing Kit No. 109-9624 (continued)

<i>Ref.</i>	<i>Part Number</i>	<i>Qty.</i>	<i>Description</i>
1	1-653438	1	Belt, Blower Drive 52
2	109-9632	1	Sheave
3	109-8487	1	Cover,Belt Uv 52

Completing Kit No. 109-9625



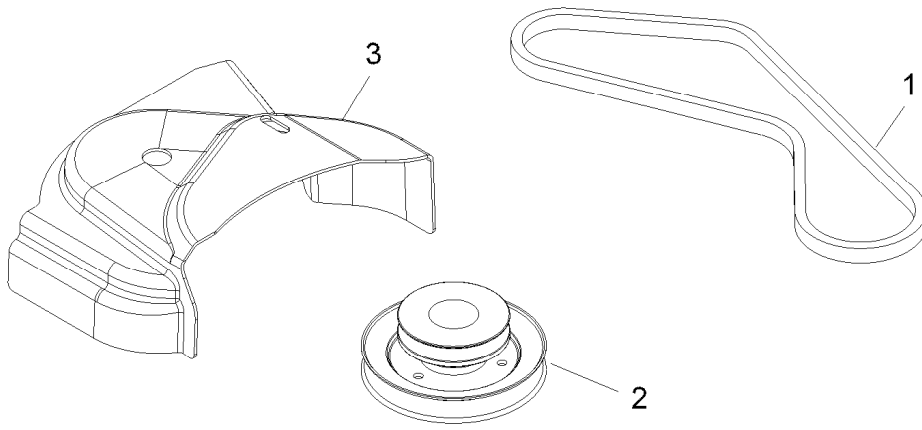
Completing kit fits all
Lazer Z (LZZ) Serial Nos. 790,000-919,999 and
Lazer Z X-Series (LZX) Serial Nos. 920,000
and Higher with 52 inch decks



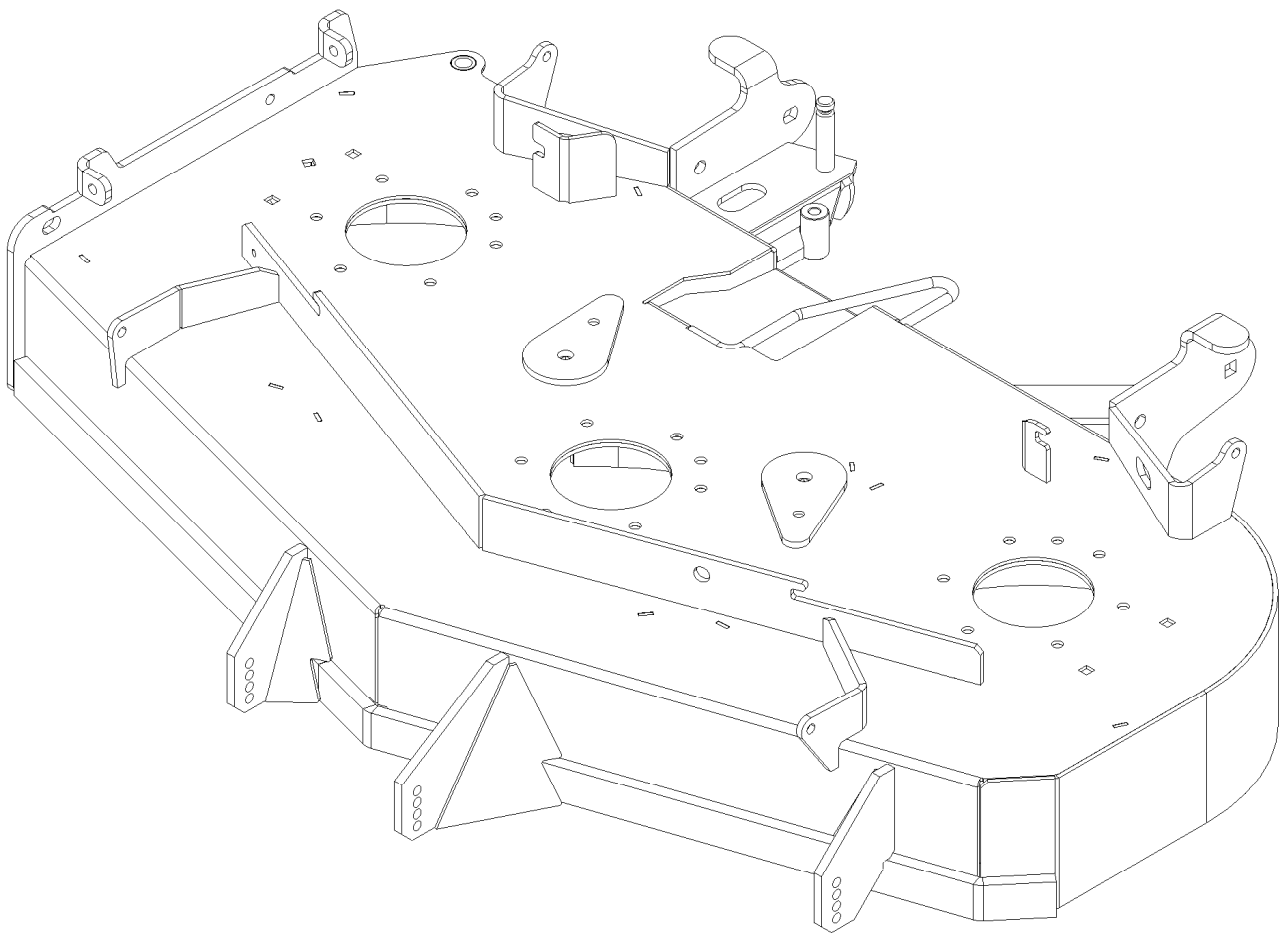
Completing Kit No. 109-9625 (continued)

<i>Ref.</i>	<i>Part Number</i>	<i>Qty.</i>	<i>Description</i>
1	1-653438	1	Belt, Blower Drive 52
2	109-9633	1	Sheave, Drive Lzuv 526
3	109-8487	1	Cover, Belt Uv 52

Completing Kit No. 109-9622



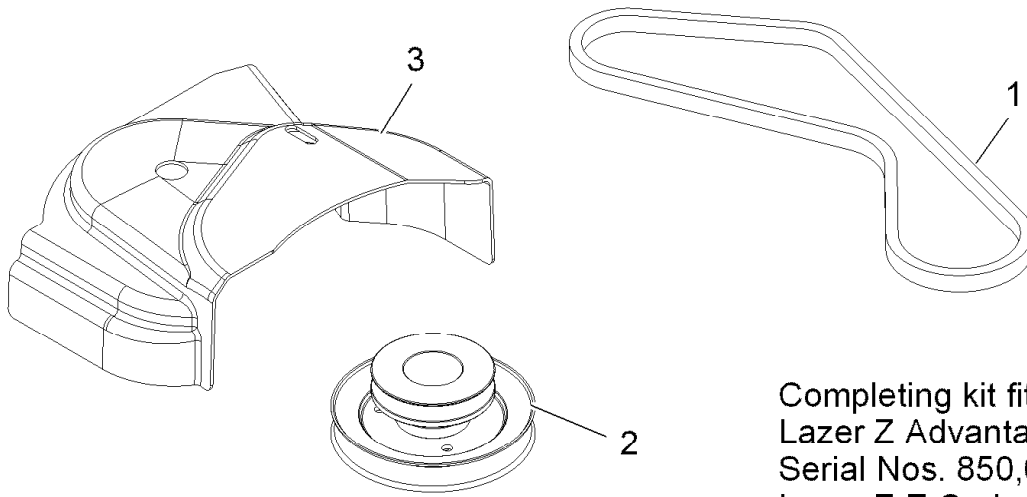
Completing kit fits all
Lazer Z Advantage Series (LZAS)
Serial Nos. 790,000-919,999
with 48 inch decks



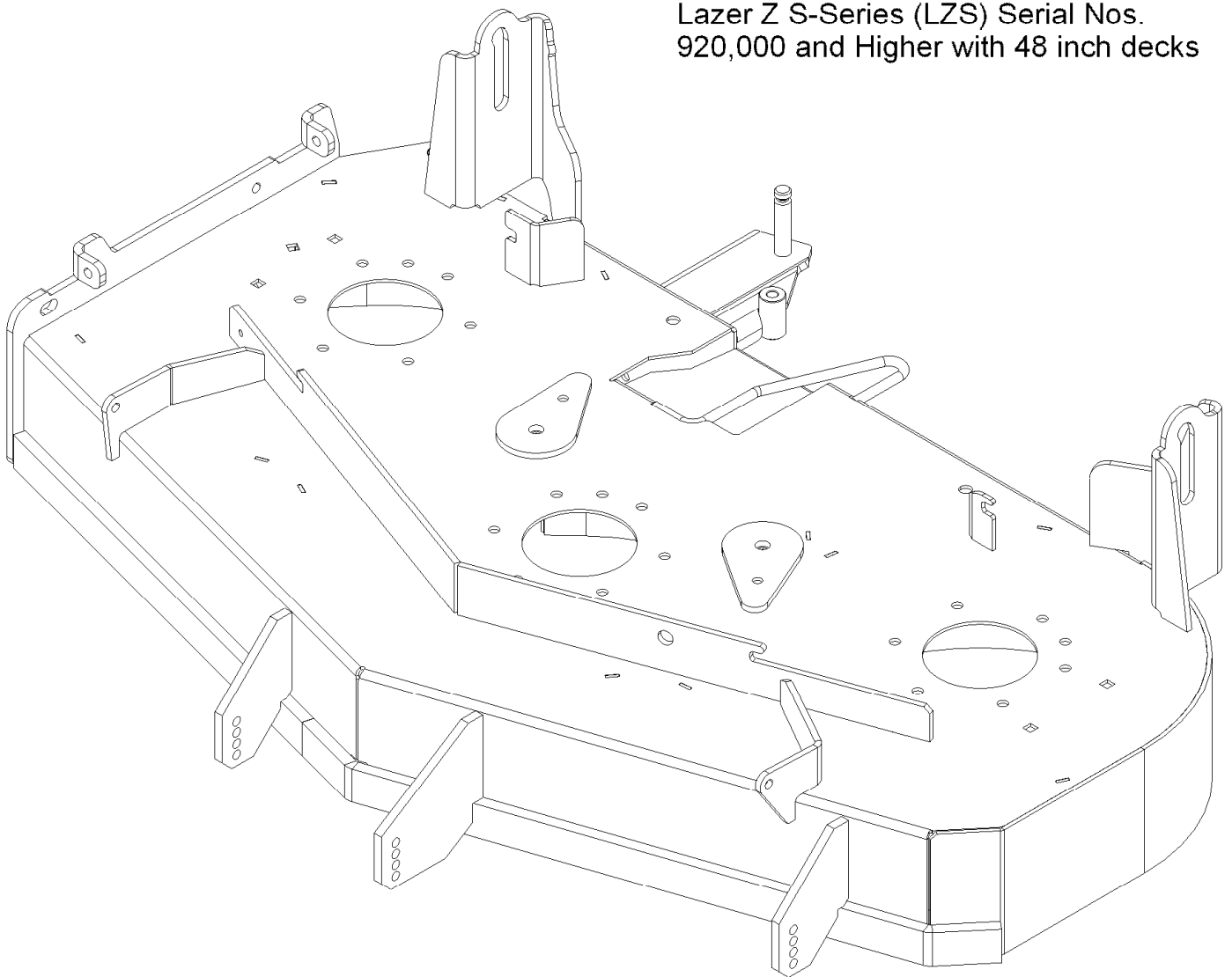
Completing Kit No. 109-9622 (continued)

<i>Ref.</i>	<i>Part Number</i>	<i>Qty.</i>	<i>Description</i>
1	1-653333	1	Belt, Blower (48")
2	116-1649	1	Jackshaft,Uv Drive 484
3	109-9382	1	Cover,Belt Uv 48

Completing Kit No. 116-2084



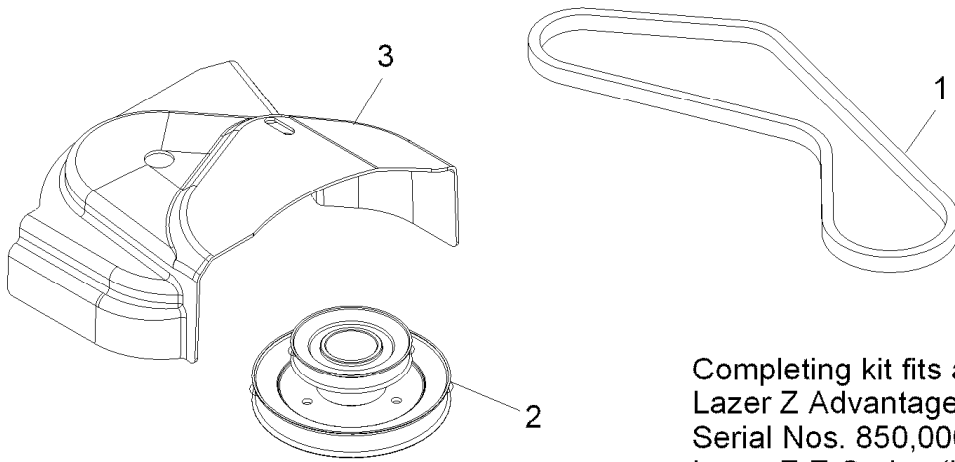
Completing kit fits all
Lazer Z Advantage Series (LZA)
Serial Nos. 850,000-919,999 and
Lazer Z E-Series (LZE) and
Lazer Z S-Series (LZS) Serial Nos.
920,000 and Higher with 48 inch decks



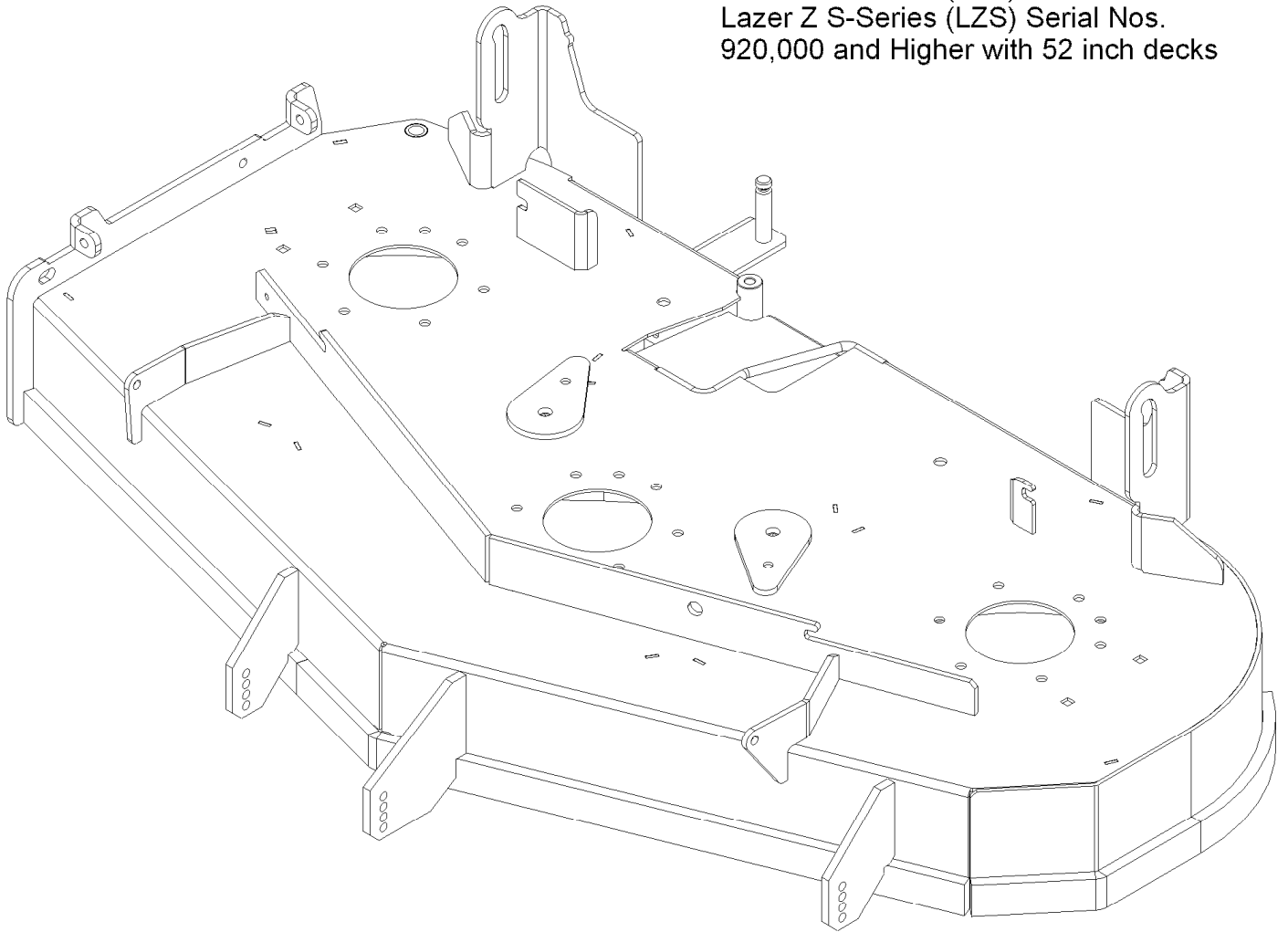
Completing Kit No. 116-2084 (continued)

<i>Ref.</i>	<i>Part Number</i>	<i>Qty.</i>	<i>Description</i>
1	1-653333	1	Belt, Blower (48")
2	116-2088	1	Jackshaft-Uv Drive, 484 Splined
3	109-9382	1	Cover,Belt Uv 48

Completing Kit No. 116-2085



Completing kit fits all
Lazer Z Advantage Series (LZA)
Serial Nos. 850,000-919,999 and
Lazer Z E-Series (LZE) and
Lazer Z S-Series (LZS) Serial Nos.
920,000 and Higher with 52 inch decks



Completing Kit No. 116-2085 (continued)

<i>Ref.</i>	<i>Part Number</i>	<i>Qty.</i>	<i>Description</i>
1	1-653438	1	Belt, Blower Drive 52
2	116-2089	1	Jackshaft,Uv Drive 524 Splined
3	109-8487	1	Cover,Belt Uv 52

Notes:

Notes:

EXMARK ACCESSORIES AND OPTIONS*

MID-MOUNT RIDING ACCESSORIES AND OPTIONS

CUSTOM RIDE SEAT SUSPENSION SYSTEM	OPERATOR CONTROLLED DISCHARGE
FULL SUSPENSION SEAT	SUN SHADE
DECK LIFT ASSIST KIT	TRASH CONTAINER
HITCH KIT	TURF STRIPER
LIGHT KIT	ULTRA VAC COLLECTION SYSTEM
12V POWER PORT	ULTRA VAC QUICK DISPOSAL SYSTEM
MICRO-MULCH SYSTEM	

OUT-FRONT RIDING ACCESSORIES AND OPTIONS

CUSTOM RIDE SEAT SUSPENSION SYSTEM	SNOW BLADE
DUAL-TAIL WHEEL	SNOWBLOWER
FLOOR PAN EXTENDER	SUN SHADE
HITCH KIT	TRASH CONTAINER
LIGHT KIT	ULTRA VAC COLLECTION SYSTEM
MICRO-MULCH SYSTEM	ULTRA VAC QUICK DISPOSAL SYSTEM
ROLL OVER PROTECTION SYSTEM (ROPS)	WEATHER CAB

WALK-BEHIND ACCESSORIES AND OPTIONS

GRASS CATCHER	TURF STRIPER
MICRO-MULCH SYSTEM	STANDON

*Some accessories and options not available for some models.

Place Model No. and Serial No.
Label Here (Included in the Literature
Pack) or Fill in Below

Model No. _____

Serial No. _____

Date Purchased _____

Engine Model No. and Spec. No. _____

Engine Serial No. (E/No) _____

© 2017 Exmark Mfg. Co., Inc.
Industrial Park Box 808
Beatrice, NE 68310
All Rights Reserved

Part No. 4503-634 Rev. A
(402) 223-6375
Fax (402) 223-5489
Printed in the USA.

