



RECYCLER[®]

**48cm Rear
Bagger Mower**

Model No. 20913-8900001 & Up

Parts Catalog

ORDERING REPLACEMENT PARTS

To order replacement parts, please supply: the part number, the quantity, and the description of each part desired.

Contents

Description	Page	Description Note:	Page
-------------	------	----------------------	------

Accessories

Description	Model / Parts No.	Description	Model / Parts No.
-------------	-------------------	-------------	-------------------

Part Description Abbreviations

Part descriptions in this catalog may include the following abbreviations.

Abbreviation	Meaning	Abbreviation	Meaning
AR	as required	HWHTF	hex washer head thread forming
ASM	assembly	INC	incorporated
CARR	carriage	LH	left hand
DEG	degrees	PH	pan head
FH	flat head	PPH	Phillips pan head
GA	gauge	PTO	power take off
HF	hex flange	RH	right hand
HFW	hex flange washer	SFH	slotted fillister head
HH	hex head	SH	square head
HHF	hex head flange	SHWH	slotted hex washer head
HHST	hex head self tapping	SPH	slotted pan head
HJ	hex jam	STD	standard
HOC	height-of-cut	TAP	self tapping
HS	hex socket	TH	truss head
HSBH	hex socket button head	TTH	Torx truss head
HSFH	hex socket flat head	WH	wing head
HSH	hex socket head		
HWH	hex washer head		

Important Format Explanations

This catalog uses special formats to convey information in illustrations and parts lists. Specifically, one format is used in conjunction with service assemblies and another with quantities associated with reference numbers.

Service Assemblies

Parts within service assemblies have reference numbers in the form X:Y. X is the reference number of the service assembly and Y is a sequential number unique to each part within the service assembly.

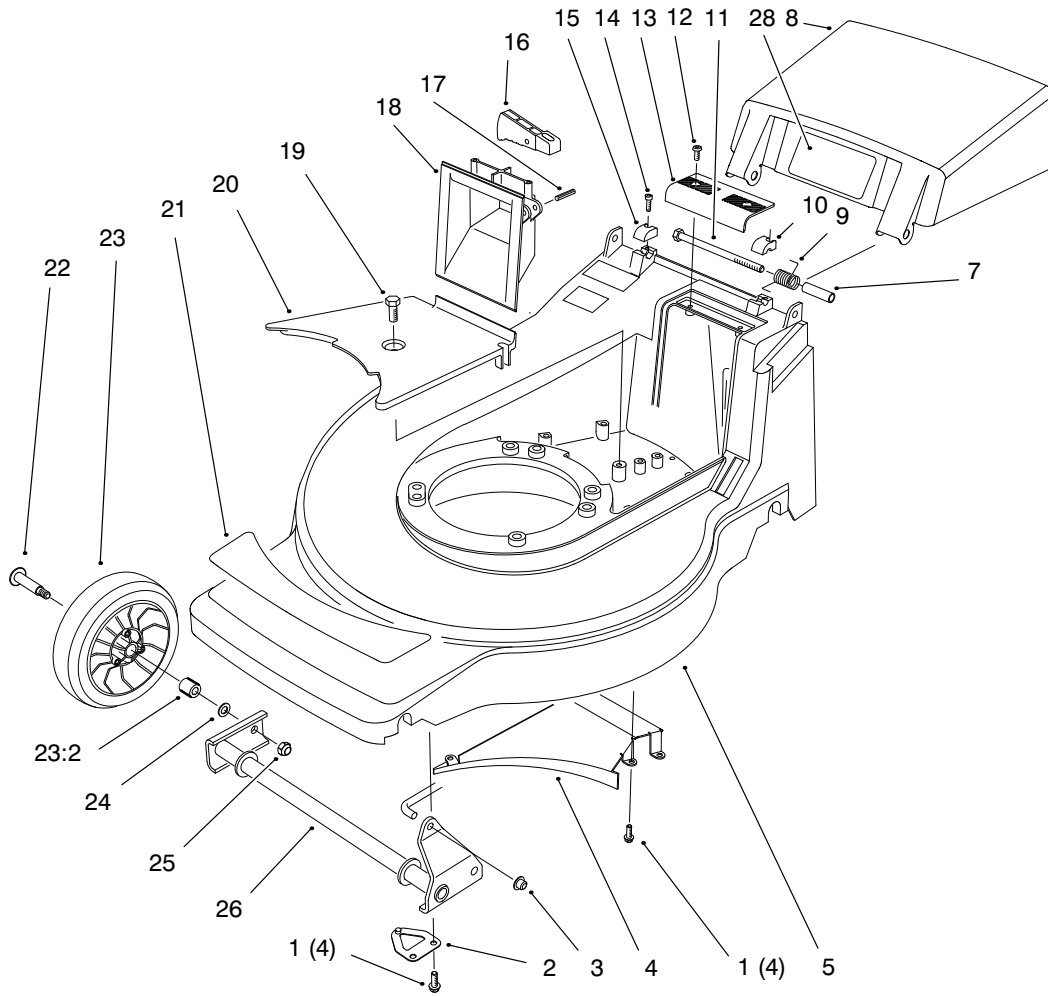
For example, a wheel assembly might be identified by reference number 6, the tire by 6:1, the valve by 6:2, and the wheel by 6:3. When you order the assembly identified by reference number 6, you receive all parts identified by reference numbers 6:1, 6:2, and 6:3. However, you may also order any part individually.

Reference numbers of this type appear in part lists and as callouts in illustrations.

Reference Numbers with Quantities

Illustrations may have a quantity in parentheses next to a reference number, in the form $X (Y)$. X is the reference number. Y in parentheses is the quantity of the part identified by the reference number.

For example, the illustration callout 4 (2) indicates that two parts are used in that instance.

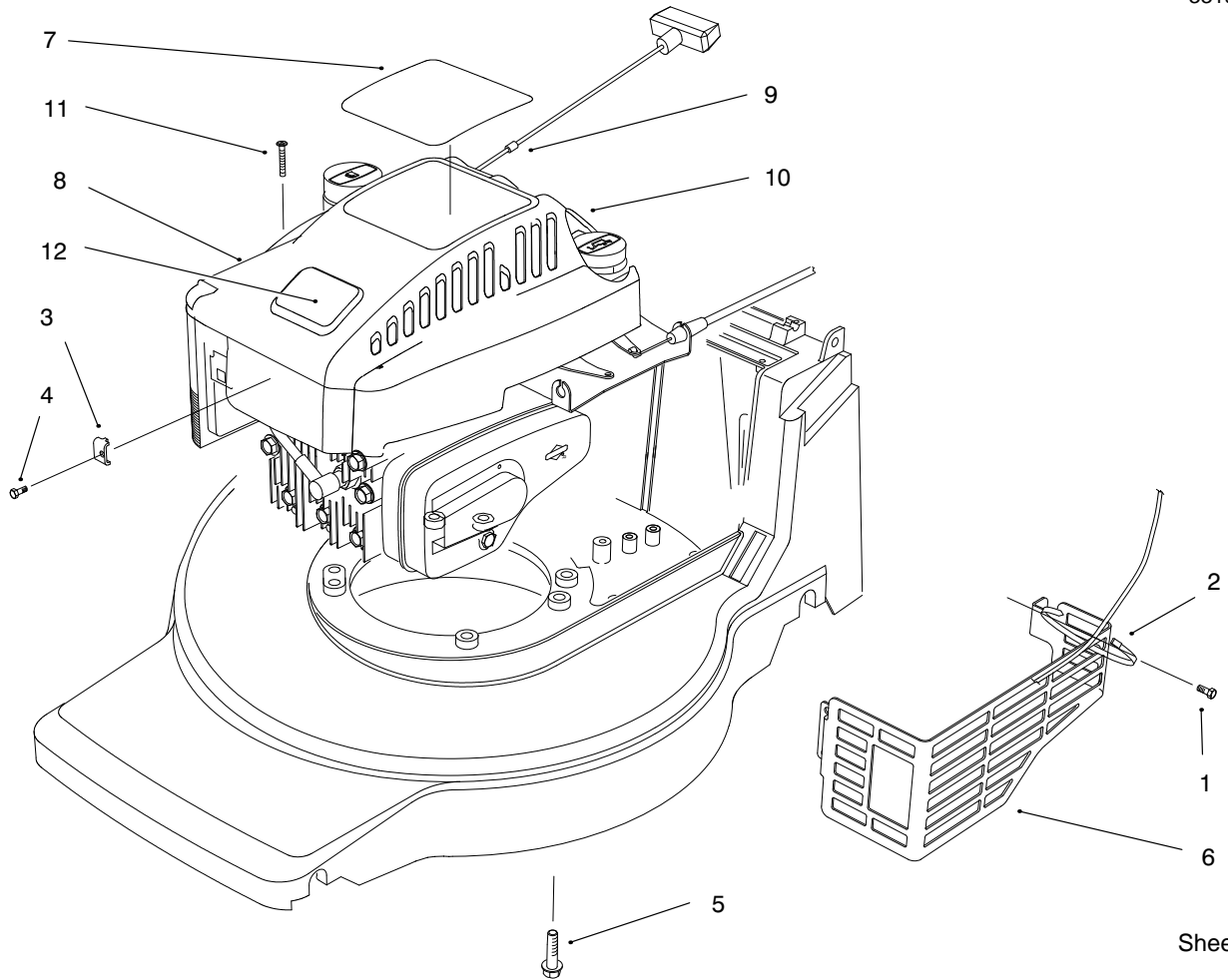


Sheet No.:2

Deck Assembly

Ref. No.	Part No.	Qty.	Description
1	32144-4	8	Screw-TAP
2	71-8830	2	Retainer-ASM
3	32112-11	1	Nut
4	71-7990	1	Ramp-Discharge
5	16-5979	1	Housing-Deck
7	71-8580	2	Spacer-Door
8	17-1569	1	Door-Discharge (Incl. Ref# 28)
9	71-9840	2	Spring-Door
10	71-7900	1	Cap-Bolt LH
11	322-29	2	Screw-HH
12	32144-97	2	Screw-PPH
13	71-7860	1	Grip-Upper
14	65-5210	2	Screw-Tf
15	71-7910	1	Cap-Bolt RH
16	71-7930	1	Trigger-HOC
17	3284-5	1	Pin-Groove
18	71-7870	1	Grip-Lower
19	32144-70	1	Screw-TAP
20	71-7920	1	Cover-Belt
21	71-9860	1	Decal-Deck
22	27-6230	2	Bolt-Wheel
23	46-1113	2	Wheel & Tire ASM
23:2	27-6250	4	Bushing
24	40-1940	2	Washer
25	3296-5	2	Nut-Lock

Ref. No.	Part No.	Qty.	Description
26	71-7820	1	Pivot
28	93-4105	1	Decal-Danger

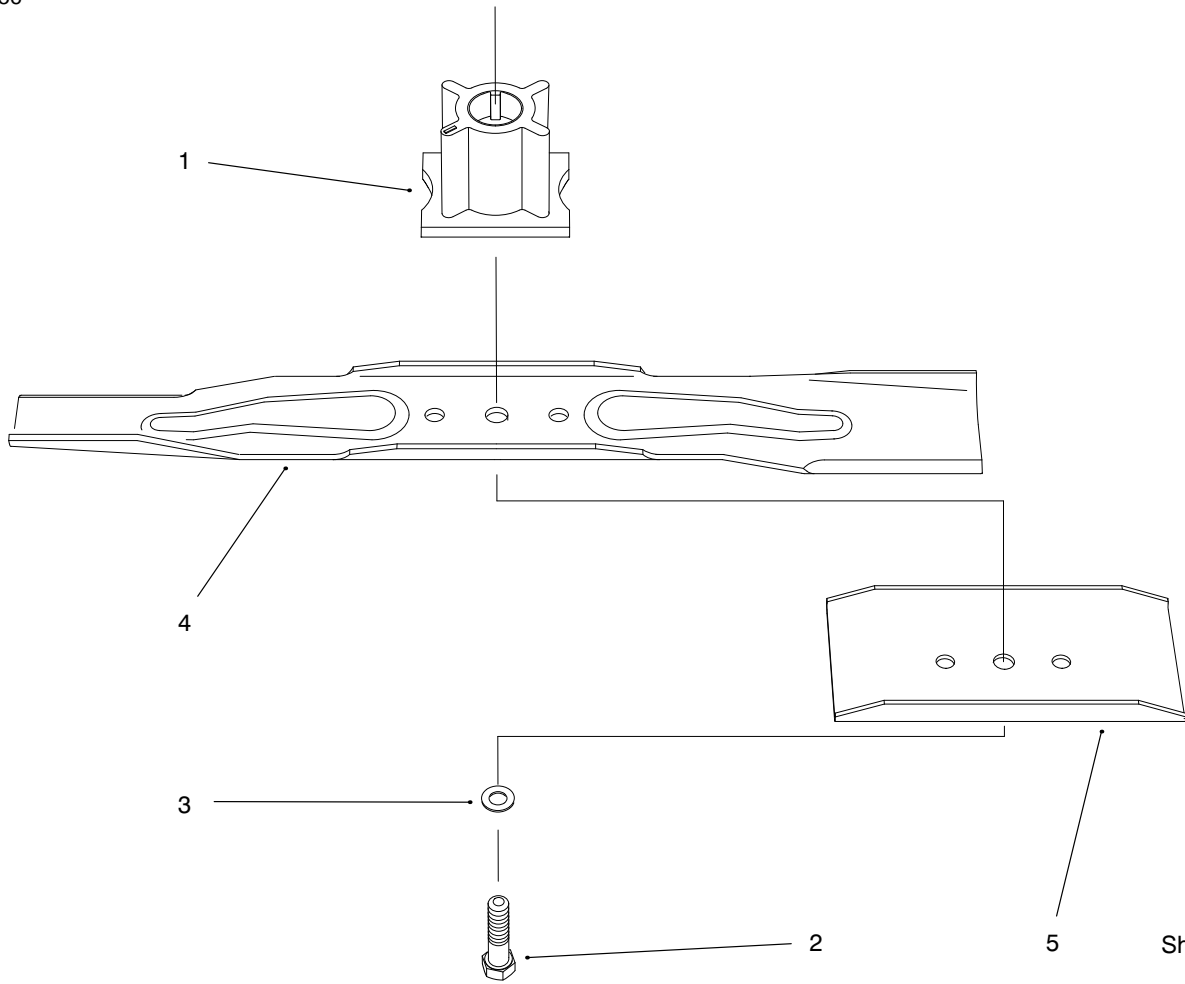


Sheet No.:6

Engine Assembly

Ref. No.	Part No.	Qty.	Description
1	32144-73	3	Screw-HWHTF
2	3290-378	1	Tie-Cable
3	2210-249	1	Clamp-Casing
4	93-8470	1	Screw-Clamp
5	32144-102	3	Screw
6	82-8550	1	Shield-Muffler
7	93-4354	1	Decal-Engine
8		1	Engine
9	2210-316	1	Rope-Stop
10	93-0243	1	Shroud
11	32144-121	2	Screw
12	92-2289	1	Plate-Logo

Ref. No.	Part No.	Qty.	Description

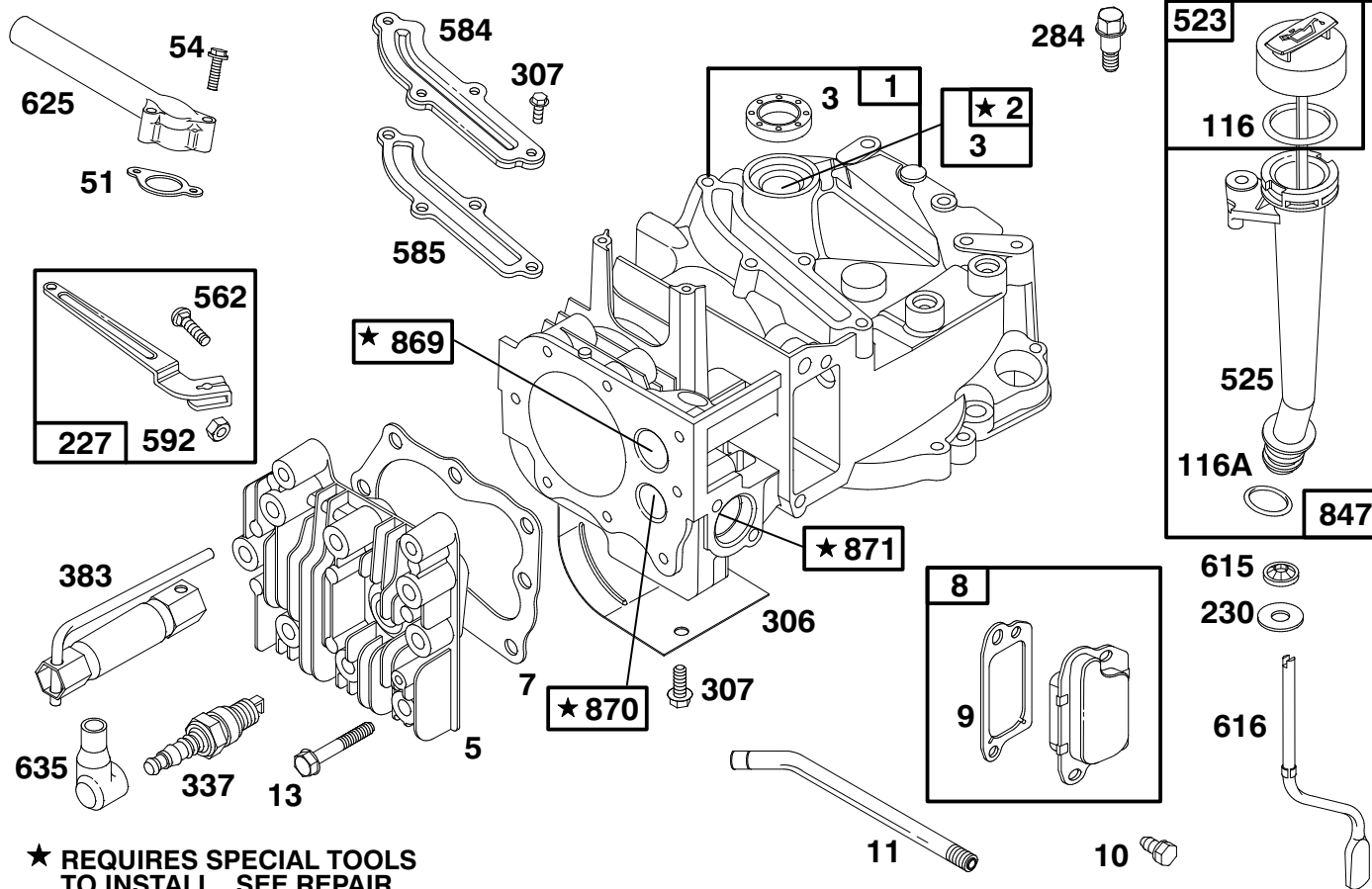


Sheet No.:7

Blade Assembly

Ref. No.	Part No.	Qty.	Description
1	71-7940	1	Retainer-Blade
2	26-0672	1	Bolt-Blade
3	3253-22	1	Washer-Lock
4	92-9813	1	Blade
5	92-9812	1	Stiffener-Blade

Ref. No.	Part No.	Qty.	Description



★ REQUIRES SPECIAL TOOLS TO INSTALL. SEE REPAIR INSTRUCTION MANUAL.

Assemblies include all parts shown in frames.

ENGINE BRIGGS & STRATTON MODEL 12F802-1767-E1

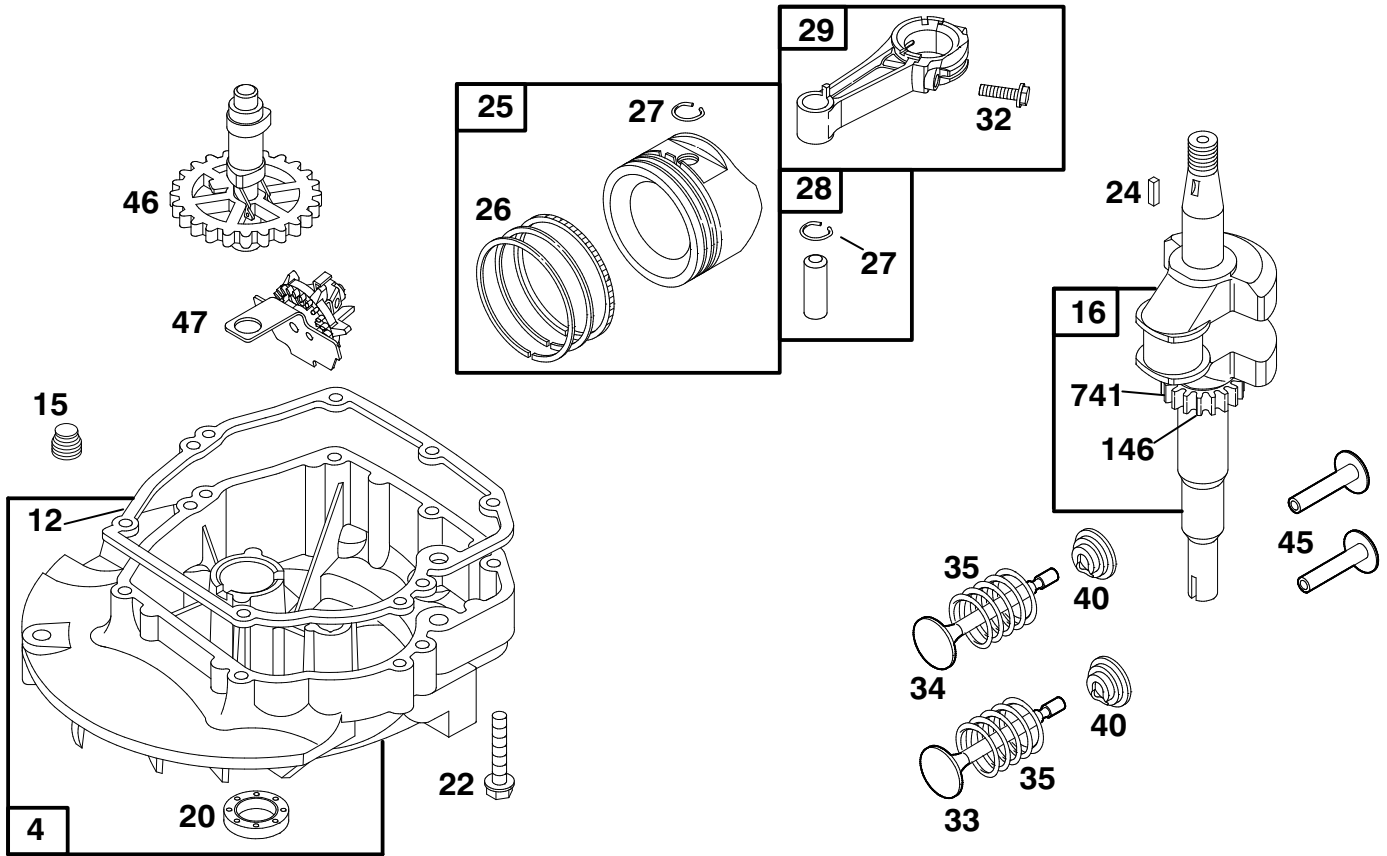
Ref. No.	Part No.	Description	No. Used
1	493260	Cylinder Assembly	1
2	293708	Bushing	1
★3	299819	Seal - Oil	1
5	214626	Head - Cylinder	1
†★7	272916	Gasket - Cylinder Head	1
8	495786	Breather Assy.	1
†★9	272481	Gasket - Breather	1
10	94650	Screw - Hex.	1
11	231933	Tube - Breather	1
13	94547	Screw - Hex.	1
★51	272199	Gasket - Intake Elbow	1
54	94526	Screw - Hex	1
★116	280393	Seal - O Ring	1
★116A	280966	Seal - O Ring	1
227	492349	Lever Assembly - Gov.	1
230	67072	Washer - Gov. Crank	1
284	94511	Screw - Hex.	1
306	224324	Shield - Cylinder	1
307	94515	Screw - Hex.	1

Ref. No.	Part No.	Description	No. Used
337	802592	Plug - Spark	1
383	89838	Wrench - Spark Plug	1
523	495264	Dipstick	1
525	495265	Tube - Oil Filler	1
562	94582	Screw - Hex.	1
584	224328	Baffle - Cylinder	1
★585	272238	Gasket - Breather	1
592	231082	Nut - Hex.	1
615	94474	Fastener	1
616	263175	Crank - Governor	1
625	497465	Tube - Fuel Intake	1
635	66538	Elbow - Spark Plug	1
847	495263	Dipstick/Tube Assy.	1
869	213512	Seat - Valve (Intake)	1
870	213513	Seat - Valve (Exhaust)	1
871	262001	Bushing-Guide (Exhaust)	1
		Note: 63709 Bushing - Guide (Intake)	1

★ Included in Gasket Set-Part No. 497316.

† Included in Valve Overhaul Gasket Set-Part No. 498528.

Obtain Parts From Briggs & Stratton



Assemblies include all parts shown in frames.

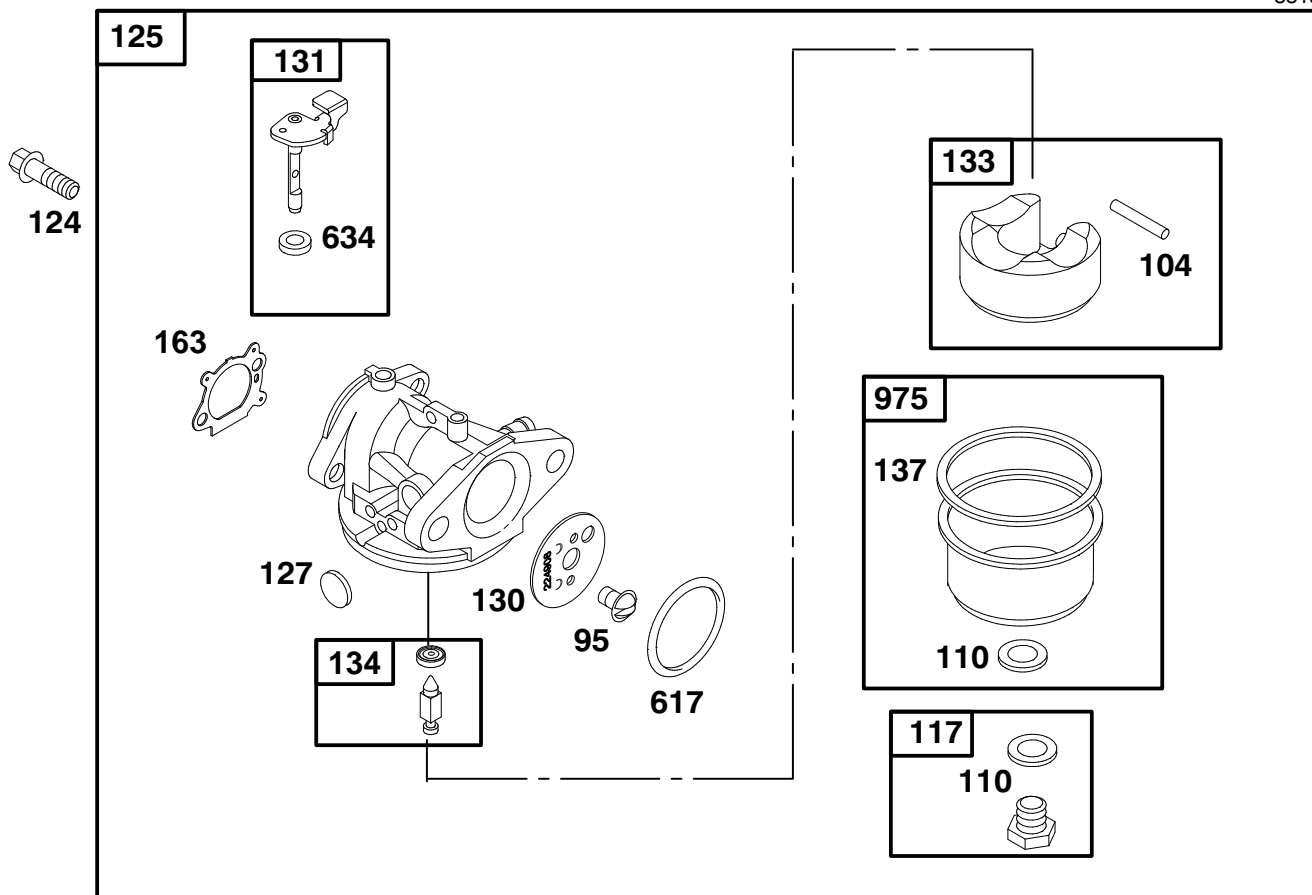
ENGINE BRIGGS & STRATTON MODEL 12F802-1767-E1

Ref. No.	Part No.	Description	No. Used
4	493279	Sump – Engine	1
★12	272198	Gasket – Crankcase	1
15	94880	Plug – Oil Drain	1
16	498573	Crankshaft	1
★20	399781	Seal – Oil	1
22	94220	Screw – Hex.	1
		Note: 94612 Screw – Hex. (One (1) Used in Hole Nearest Breather.)	1
24	222698	Key – Flywheel	1
25	499429	Piston Assy. (Standard)	1
	499430	Piston Assy. (0.010" O.S.)	1
	499431	Piston Assy. (0.020" O.S.)	1
	499432	Piston Assy. (0.030" O.S.)	1

Ref. No.	Part No.	Description	No. Used
26	499425	Ring Set (Standard)	1
	499426	Ring Set (0.010" O.S.)	1
	499427	Ring Set (0.020" O.S.)	1
	499428	Ring Set (0.030" O.S.)	1
27	263190	Lock – Piston Pin	1
28	499423	Pin – Piston (Standard)	1
29	499424	Rod Assembly – Connecting	1
32	94699	Screw – Connecting Rod	1
33	262651	Valve – Exhaust	1
34	262652	Valve – Intake	1
35	262224	Spring – Valve	1
40	93312	Retainer – Valve Spring	1
45	262204	Tappet – Valve	1
46	498275	Gear – Cam	1
47	493737	Slinger – Oil	1
146	94388	Key – Timing	1
741	262598	Gear – Timing	1

★ Included in Gasket Set—Part No. 497316.

Obtain Parts From Briggs & Stratton



Assemblies include all parts shown in frames.

ENGINE BRIGGS & STRATTON MODEL 12F802-1767-E1

Ref. No.	Part No.	Description	No. Used
95	94098	Screw – Slotted	1
●104	231371	Pin – Float Hinge	1
◆◆110		Washer – Bowl (Sold in Kit Only).	1
117	494870	Jet – Main (Std.) Note: 497315 Jet – Main (High Altitude)	1
124	94840	Screw – Hex	1
125	498170	Carburetor	1
●127		Plug – Welch (Sold in Kit Only).	1

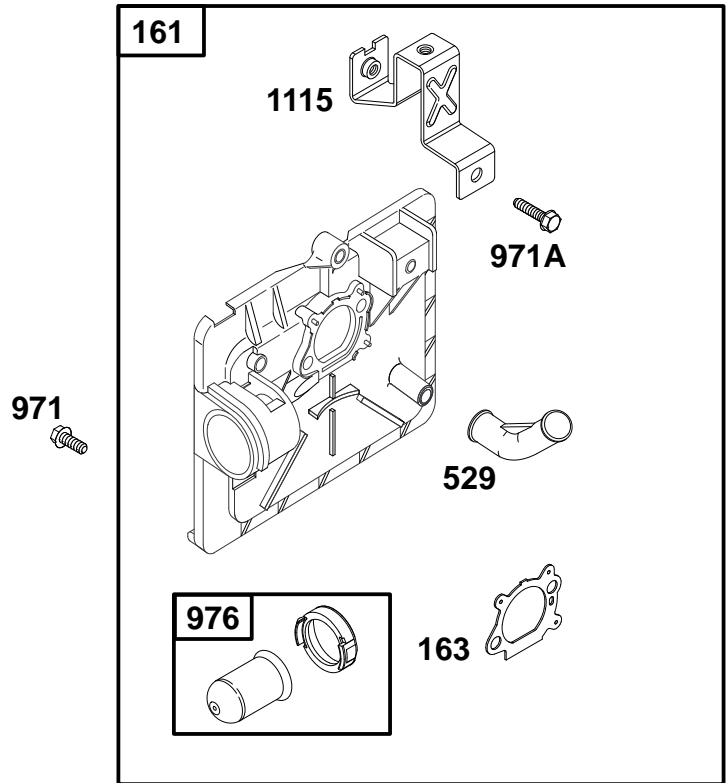
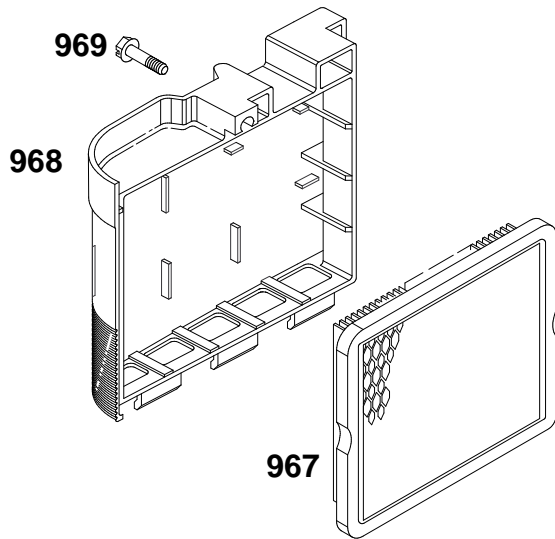
Ref. No.	Part No.	Description	No. Used
130	224908	Valve – Throttle	1
131	493267	Shaft – Throttle	1
133	398187	Float – Carburetor	1
●134	398188	Kit – Needle/Seat	1
◆◆137		Gasket – Bowl (Sold in Kit Only).	1
◆◆★163	272653	Gasket – Air Cleaner	1
◆◆617	270344	Seal – Intake Manifold	1
◆◆634		Washer – Foam (Sold in Kit Only).	1
975	493640	Bowl – Float	1

★ Included in Gasket Set – Part No. 497316.

Obtain Parts From Briggs & Stratton

● Included in Carburetor Kit – Part No. 498260.

◆ Included in Carburetor Gasket Set – Part No. 498261.



Assemblies include all parts shown in frames.

ENGINE BRIGGS & STRATTON MODEL 12F802-1767-E1

Ref. No.	Part No.	Description	No. Used
161	496116	Base - Air Cleaner	1
◆◆★163	272653	Gasket - Air Cleaner	1
529	281299	Grommet	1
967	491588	Filter - Air	1
968	281340	Cover - Air Cleaner	1

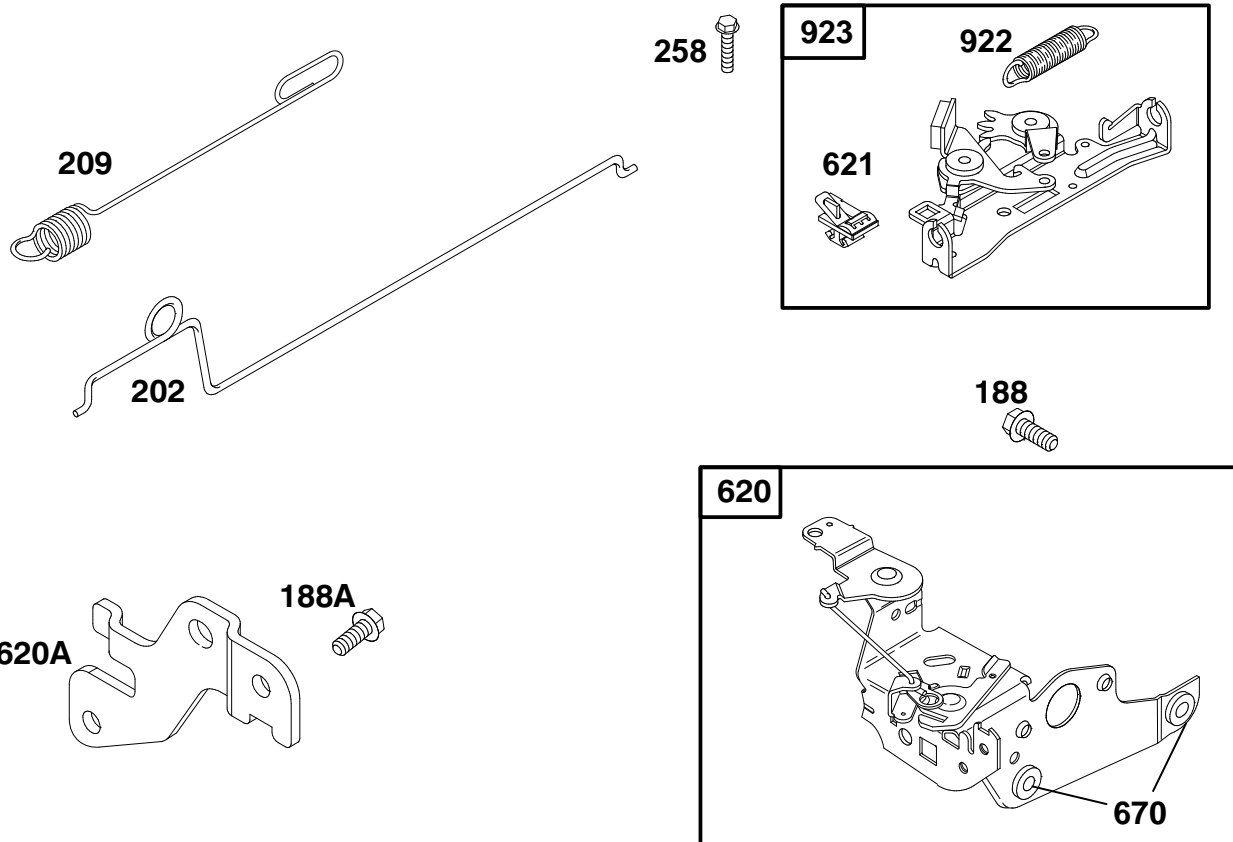
Ref. No.	Part No.	Description	No. Used
969	94872	Screw - Slotted Hex.	1
971	94873	Screw - Hex.	1
971A	94749	Screw - Hex.	1
976	496115	Primer - Carburetor	1
1115	224815	Bracket - Support	1

★ Included in Gasket Set - Part No. 497316.

Obtain Parts From Briggs & Stratton

● Included in Carburetor Kit - Part No. 498260.

◆ Included in Carburetor Gasket Set - Part No. 498261.



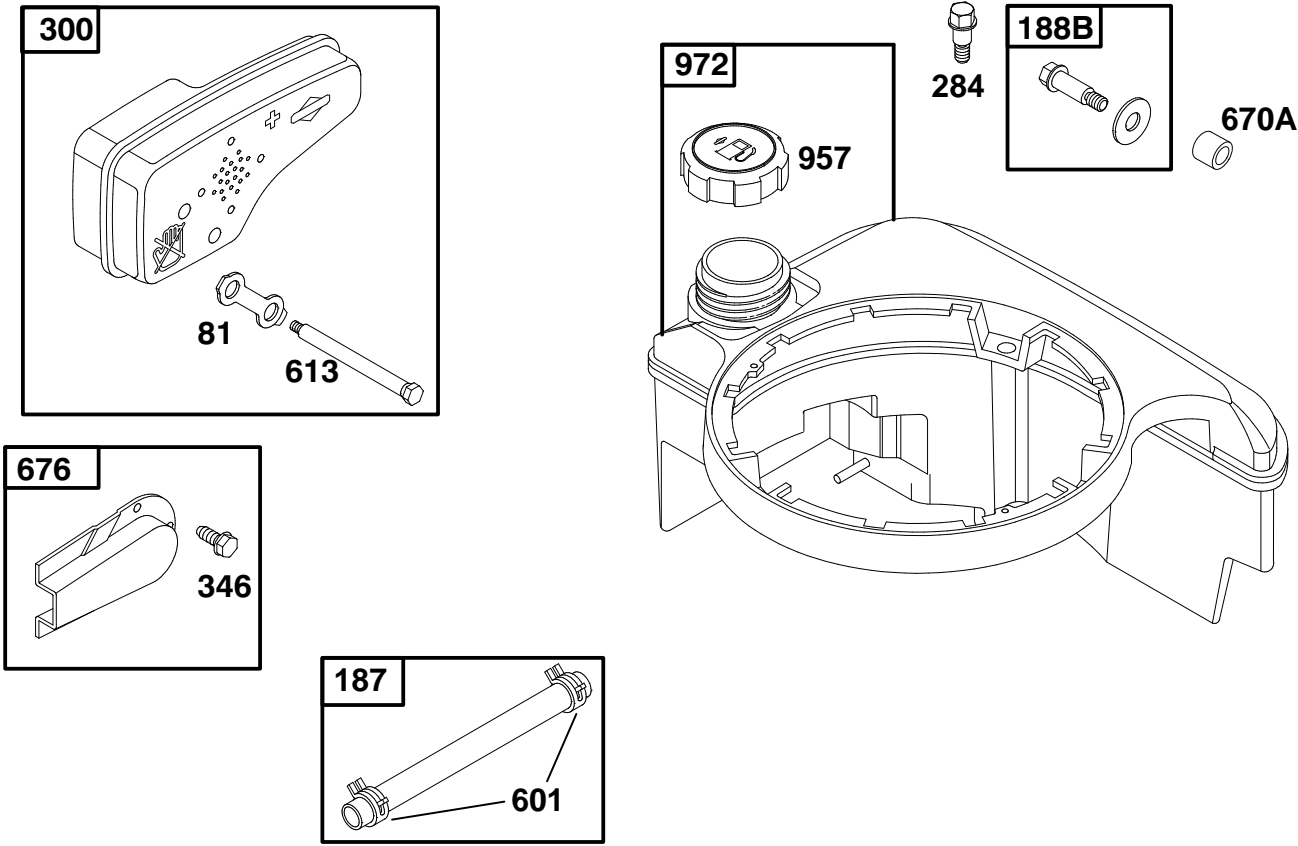
Assemblies include all parts shown in frames.

ENGINE BRIGGS & STRATTON MODEL 12F802-1767-E1

Ref. No.	Part No.	Description	No. Used
188	94644	Screw - Hex.	1
188A	94874	Screw - Hex.	1
202	262579	Link - Governor	1
209	263046	Spring - Governor	1
258	94512	Screw - Hex.	1
620	497203	Bracket - Carburetor	1

Ref. No.	Part No.	Description	No. Used
620A	225152	Bracket - Control	1
621	396847	Switch - Stop	1
★670	493823	Spacer - Bracket	2
922	262640	Spring - Brake	1
923	493442	Brake Assembly	1

★ Included in Gasket Set - Part No. 497316.
Obtain Parts From Briggs & Stratton



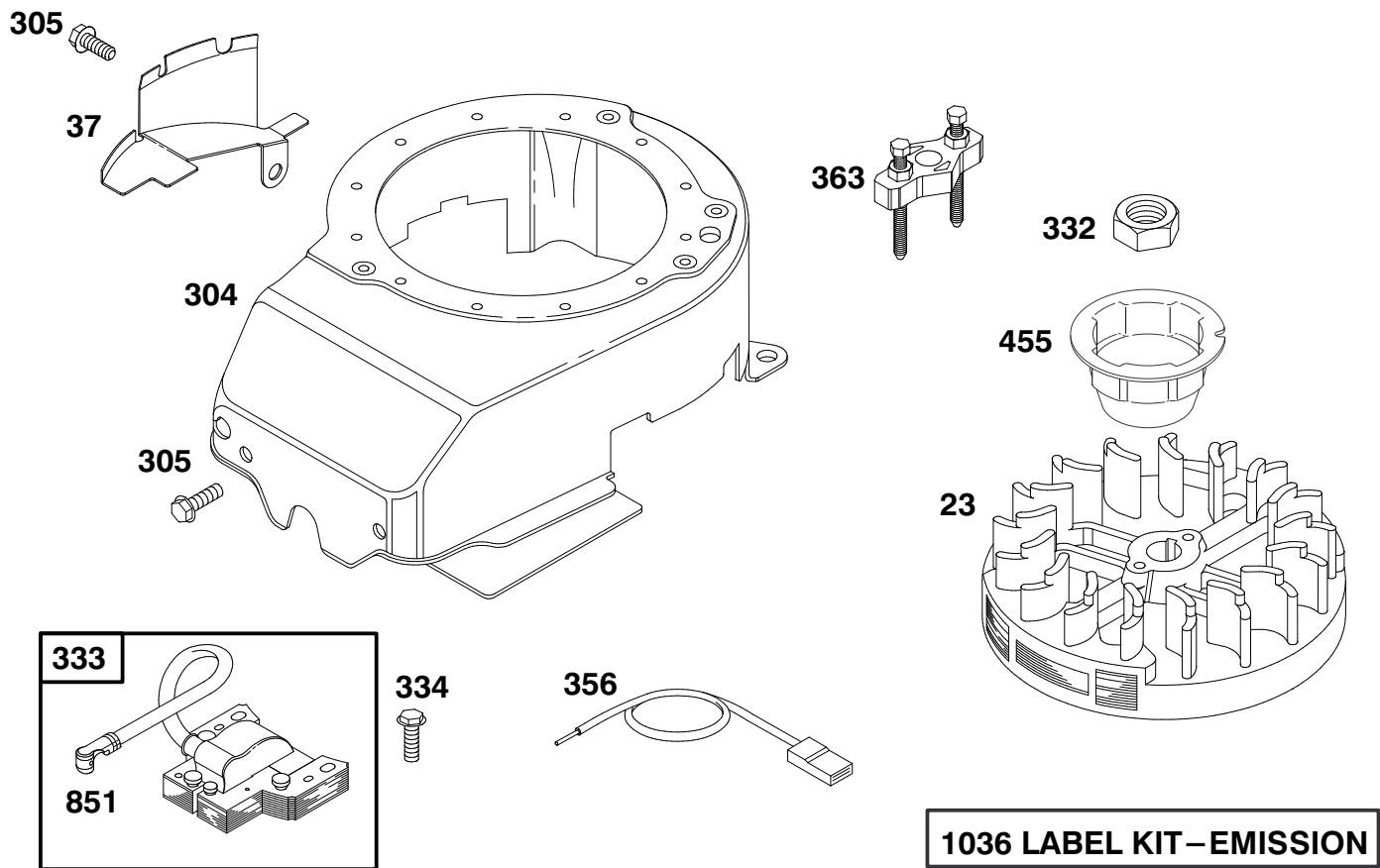
Assemblies include all parts shown in frames.

ENGINE BRIGGS & STRATTON MODEL 12F802-1767-E1

Ref. No.	Part No.	Description	No. Used
81	223664	Lock – Muffler Screw	1
187	298049	Line – Fuel (Cut to Required Length)	1
188B	398540	Screw – Shoulder	1
284	94511	Screw – Shoulder	1
300	496106	Muffler – Exhaust	1
346	94896	Screw – Hex.	1

Ref. No.	Part No.	Description	No. Used
601	95162	Clamp – Hose	1
613	94231	Screw – Shoulder	1
670A	280512	Spacer – Fuel Tank	1
676	493871	Deflector – Muffler	1
957	397974	Cap – Fuel Tank	1
972	495224	Tank – Fuel	1

Obtain Parts From Briggs & Stratton



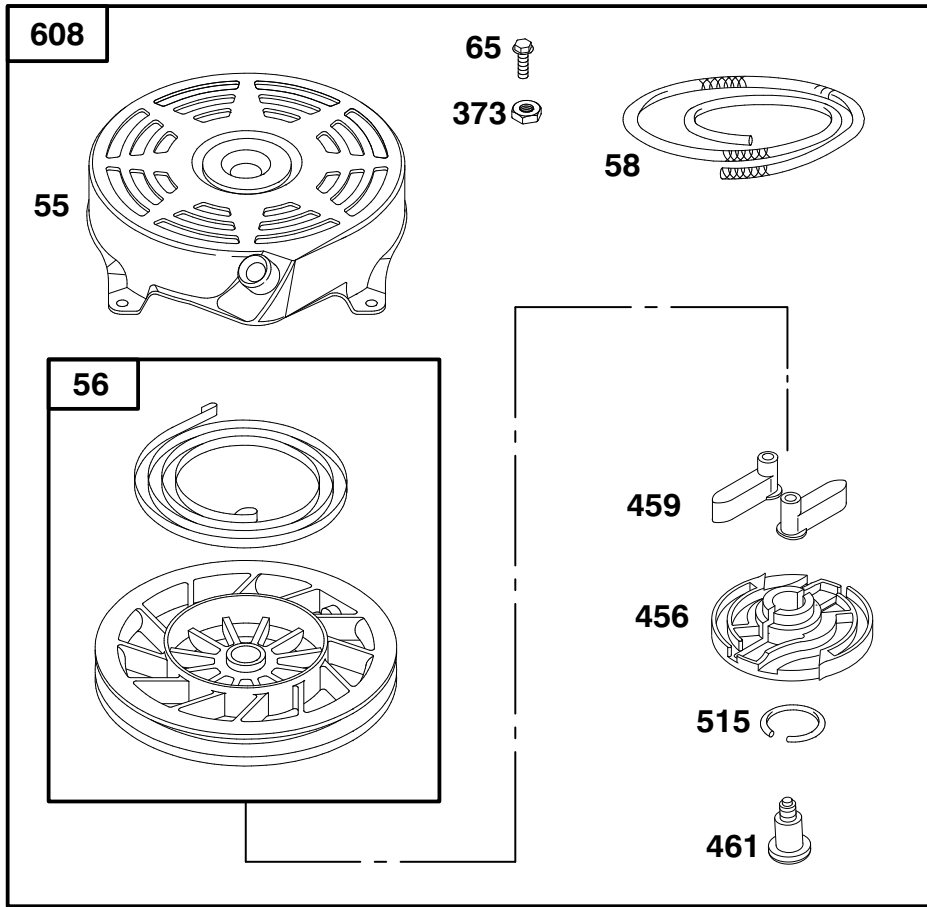
Assemblies include all parts shown in frames.

ENGINE BRIGGS & STRATTON MODEL 12F802-1767-E1

Ref. No.	Part No.	Description	No. Used
23	492177	Flywheel	1
37	224511	Guard - Flywheel	1
304	493293	Housing - Blower	1
305	94744	Screw - Hex.	1
332	94877	Nut - Flywheel	1
333	802574	Armature - Magneto	1

Ref. No.	Part No.	Description	No. Used
334	94731	Screw - Hex.	1
356	497833	Wire - Stop	1
363	19069	Puller - Flywheel	1
455	225121	Cup - Flywheel	1
851	493880	Terminal - Cable	1
1036	499341	Label Kit - Emission	1

Obtain Parts From Briggs & Stratton



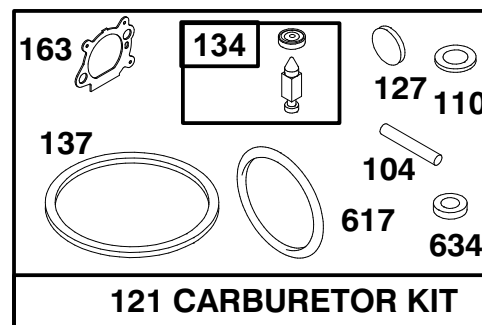
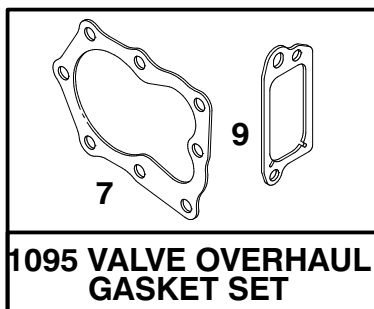
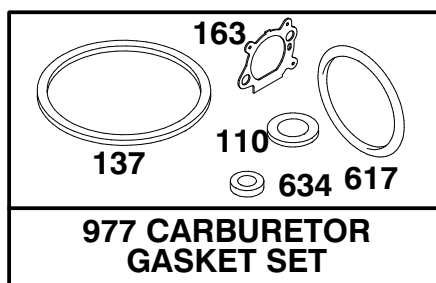
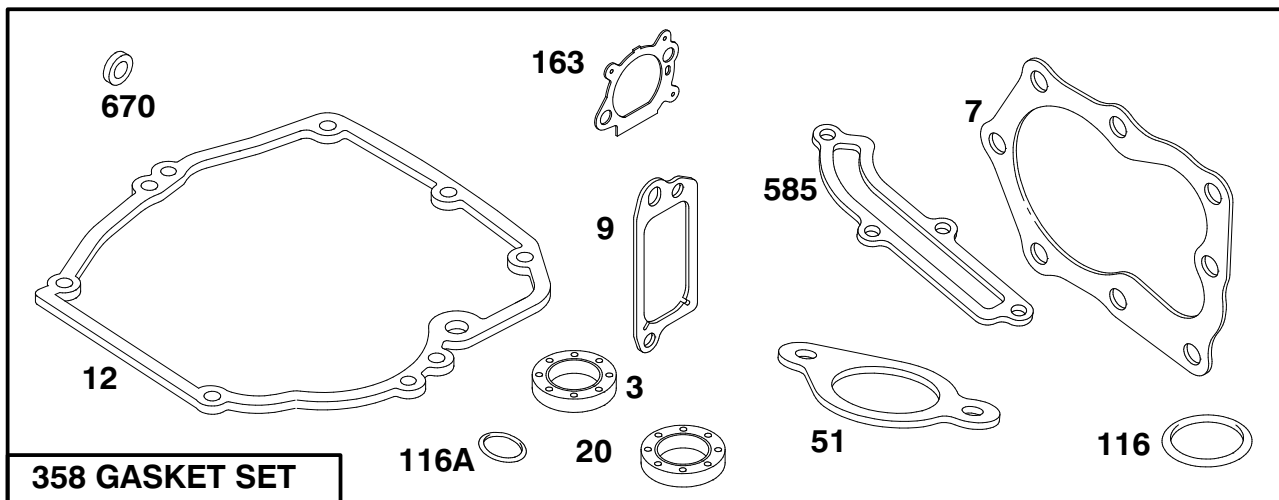
Assemblies include all parts shown in frames.

ENGINE BRIGGS & STRATTON MODEL 12F802-1767-E1

Ref. No.	Part No.	Description	No. Used
55	497440	Housing - Rewind Starter	1
56	498144	Pulley - Starter	1
58	280399	Rope - Starter	1
59	224467	Insert - Starter Grip	1
60	493926	Grip - Starter Rope	1
65	94904	Screw - Hex.	1

Ref. No.	Part No.	Description	No. Used
373	94908	Nut - Hex.	1
456	281503	Retainer - Spring	1
459	281505	Pawl - Ratchet	1
461	94943	Screw - Shoulder	1
515	263073	Spring - Friction	1
608	497680	Starter - Rewind	1

Obtain Parts From Briggs & Stratton



Assemblies include all parts shown in frames.

ENGINE BRIGGS & STRATTON MODEL 12F802-1767-E1

Ref. No.	Part No.	Description	No. Used
★3	299819	Seal - Oil	1
†★7	272916	Gasket - Cylinder Head	1
†★9	272481	Gasket - Breather	1
★12	272198	Gasket - Crankcase	1
★20	399781	Seal - Oil	1
★51	272199	Gasket - Intake	1
●104	231371	Pin - Float Hinge	1
◆◆110		Washer - Bowl (Sold in Kit Only).	1
★116	280393	Seal - O Ring	1
★116A	280966	Seal - O Ring	1
121	498260	Carburetor Kit	1
●127		Plug - Welch (Sold in Kit Only).	1

Ref. No.	Part No.	Description	No. Used
●134	398188	Kit - Needle/Seat	1
◆◆137		Gasket - Bowl (Sold in Kit Only).	1
◆◆★163	272653	Gasket - Air Cleaner	1
358	497316	Gasket Set	1
★585	272238	Gasket - Breather	1
◆◆617	270344	Seal - Intake Manifold	1
◆◆634		Washer - Foam (Sold in Kit Only).	1
★670	493823	Spacer - Bracket	2
977	498261	Gasket Set - Carburetor	1
1095	498528	Gasket Set - Valve Overhaul	1

● Included in Carburetor Kit-Part No. 498260.

◆ Included in Carburetor Gasket Set-Part No. 498261.

Obtain Parts From Briggs & Stratton

★ Included in Gasket Set-Part No. 497316.

† Included in Valve Overhaul Gasket Set-Part No. 498528.

Toro Part Number Index

Part No.	Page No.	Ref. No.	Qty.	Description
14-9949	3	17	2	Wheel & Tire-ASM
16-5979	1	5	1	Housing-Deck
17-1569	1	8	1	Door-Discharge
19-4050	2	3	2	Knob
26-0672	6	2	1	Bolt-Blade
27-6230	1	22	2	Bolt-Wheel
27-6230	3	1	2	Bolt-Wheel
27-6250	1	23:2	4	Bushing
27-6250	3	17:1	4	Bushing
40-1940	1	24	2	Washer
40-1940	3	18	2	Washer
46-1113	1	23	2	Wheel & Tire ASM
63-8590	3	3	2	Screw
65-5210	1	14	2	Screw-Tf
71-7740	3	16	1	Spring
71-7770	3	10	2	Plate-Securing
71-7800	3	8	1	Arm-Pivot
71-7820	1	26	1	Pivot
71-7840	3	9	1	Rod-Trigger
71-7860	1	13	1	Grip-Upper
71-7870	1	18	1	Grip-Lower
71-7900	1	10	1	Cap-Bolt LH
71-7910	1	15	1	Cap-Bolt RH
71-7920	1	20	1	Cover-Belt
71-7930	1	16	1	Trigger-HOC
71-7940	6	1	1	Retainer-Blade
71-7970	3	13	1	Rod-Link
71-7980	3	12	1	Indicator-HOC
71-7990	1	4	1	Ramp-Discharge
71-8060	3	5	2	Spring-Trigger
71-8080	3	4	1	Saddle-HOC
71-8090	2	5	1	Mount-Handle LH
71-8100	2	4	1	Mount-Handle RH
71-8450	3	14	1	Cover-Spring
71-8580	1	7	2	Spacer-Door
71-8830	1	2	2	Retainer-ASM
71-9460	4	5	1	Bag-Grass
71-9470	4	3	1	Door-Bag
71-9480	4	2	1	Handle-Door
71-9840	1	9	2	Spring-Door
71-9860	1	21	1	Decal-Deck
71-9900	4	4	1	Frame
82-8550	5	6	1	Shield-Muffler
92-2289	5	12	1	Plate-Logo
92-7729	2	7	1	Anchor-Cable
92-9812	6	5	1	Stiffener-Blade
92-9813	6	4	1	Blade
93-0243	5	10	1	Shroud
93-1116	2	6	1	Cable-Brake
93-1118	2	13	1	Control-Throttle
93-4105	1	28	1	Decal-Danger
93-4354	5	7	1	Decal-Engine
93-8470	5	4	1	Screw-Clamp
94-4375	2	11	1	Handle
95-4453	2	8	1	Screw-Handle
95-4457	2	10	1	Rope-Guide
95-5924	2	12	1	Bail-Brake
2210-249	5	3	1	Clamp-Casing
2210-316	5	9	1	Rope-Stop
321-48	2	14	1	Screw-HH
322-29	1	11	2	Screw-HH

*Not Illustrated

Toro Part Number Index (cont.)

Part No.	Page No.	Ref. No.	Qty.	Description
3253-22	6	3	1	Washer-Lock
3256-1	2	9	1	Washer-Flat
3284-5	1	17	1	Pin-Groove
3290-378	2	1	1	Tie-Cable
3290-378	5	2	1	Tie-Cable
3296-5	1	25	2	Nut-Lock
3296-5	3	7	2	Nut-Lock
3296-73	2	2	3	Nut-Lock
32112-11	1	3	1	Nut
32112-13	3	2	1	Nut-Push
32144-4	1	1	8	Screw-TAP
32144-4	3	11	4	Screw-TAP
32144-31	3	6	1	Screw
32144-70	1	19	1	Screw-TAP
32144-73	5	1	3	Screw-HWHTF
32144-97	1	12	2	Screw-PPH
32144-102	5	5	3	Screw
32144-111	4	1	5	Screw - PPH
32144-121	5	11	2	Screw
32151-93	3	15	1	Ring-Grip