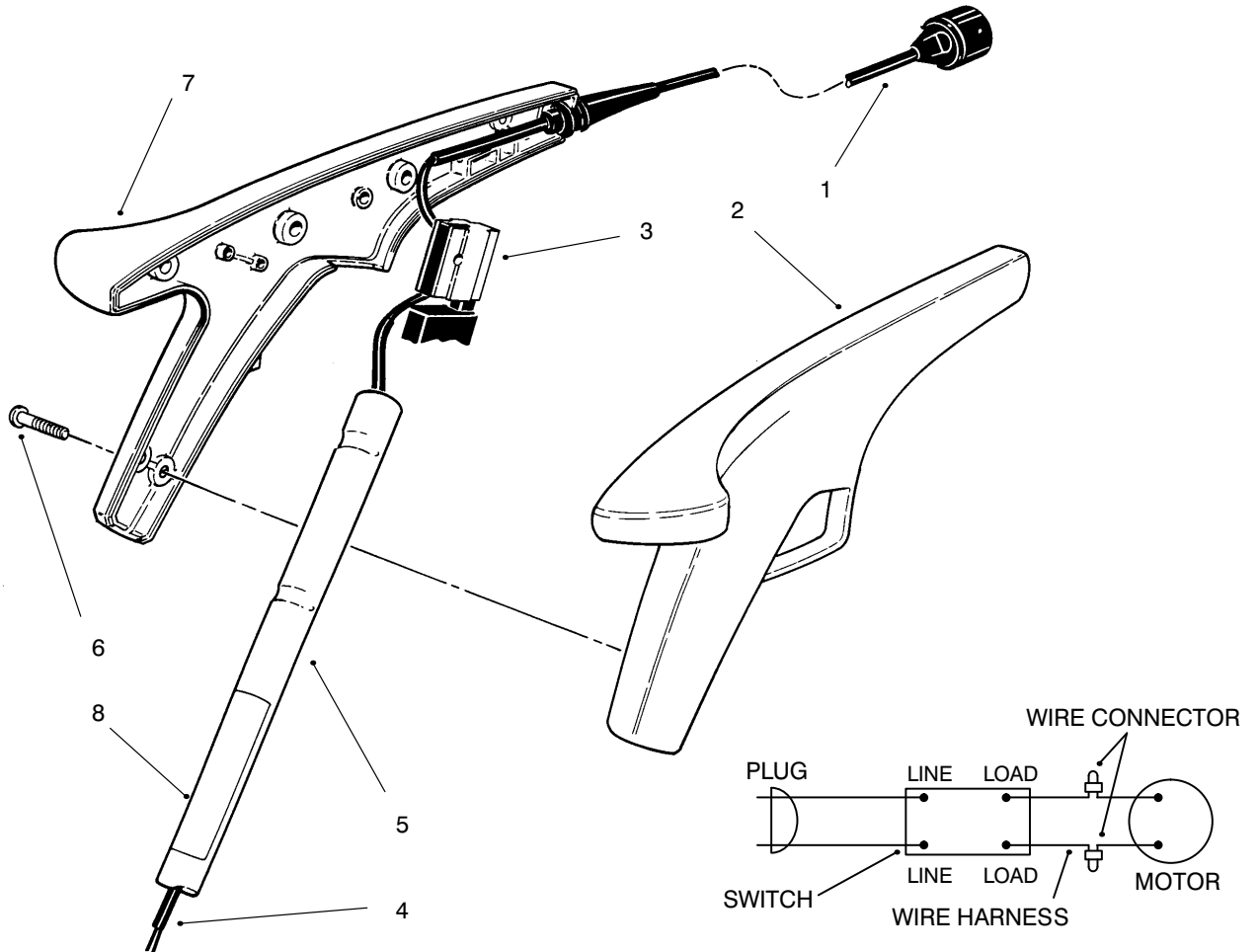




MODEL NO. 51231-89031744 & UP

PARTS
CATALOG

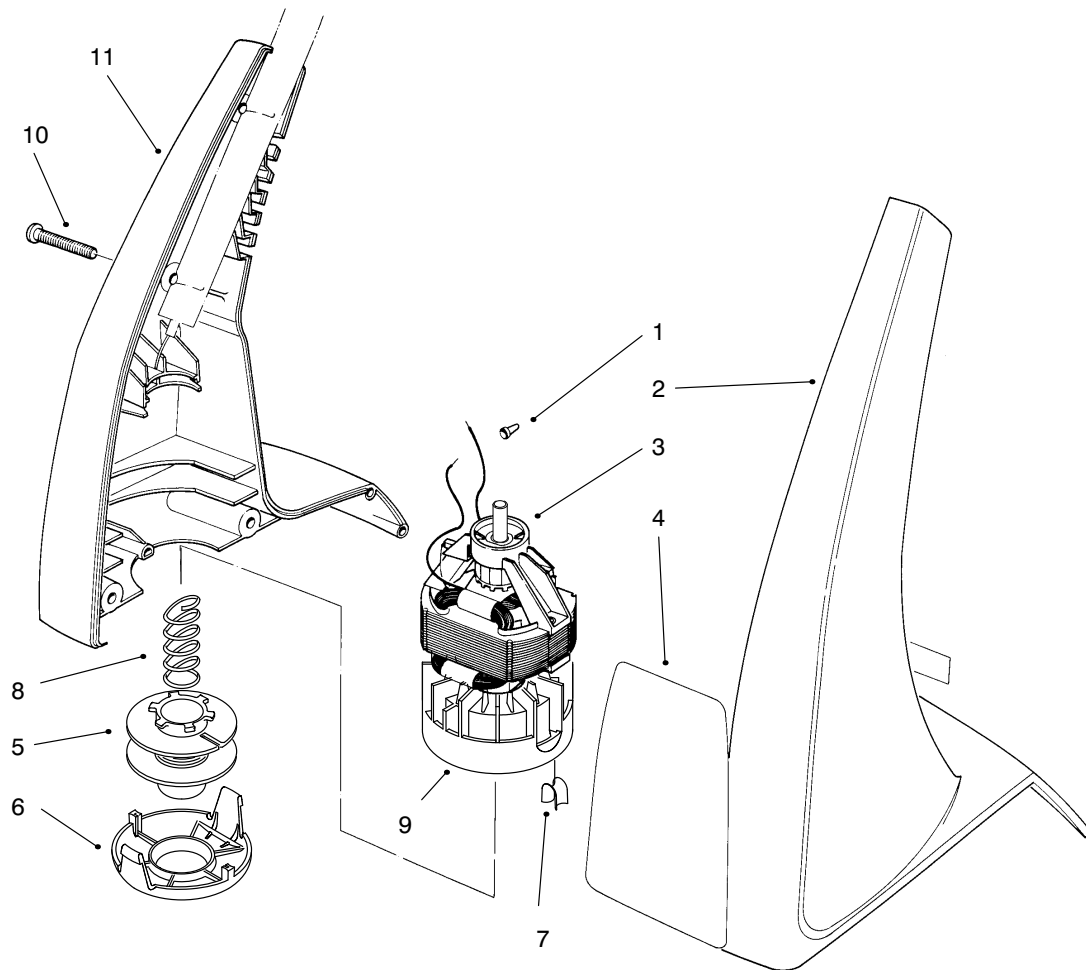
8" ELECTRIC TRIMMER



HANDLE ASSEMBLY

Ref. No.	Part No.	Description	No. Used
1	42-0776	Cord - Power	1
2	73-8540	Grip - L.H.	1
3	29-7660	Switch	1
4	34-9751	Harness - Wiring	1

Ref. No.	Part No.	Description	No. Used
5	73-9120	Tube Assy. (Incl. Ref.# 8)	1
6	94-4496	Screw	6
7	73-8530	Grip - R.H.	1
8	93-4464-10	Decal - Safety	1



MOTOR & HOUSING ASSEMBLY

Ref. No.	Part No.	Description	No. Used
1	218-496	Connector - Wire	2
2	98-9260	Housing - L.H.	1
3	98-9272	Motor Assembly (Incl. Ref. #7 & 9)	1
4	98-3304	Decal	1
5	73-8240	Empty Spool	1
6	73-8250	Cap	1
7	73-8260	Eyelet	1

Ref. No.	Part No.	Description	No. Used
8	73-8270	Spring	1
9		Drum	1
10	94-4496	Screw	5
11	98-9273	Housing Assembly - R.H.	1
*	34-3890	30 Ft. .050 Dia. Cutting Line	1
*	88170	Spool & Line Assembly (Whole Goods)	1

*Not Illustrated