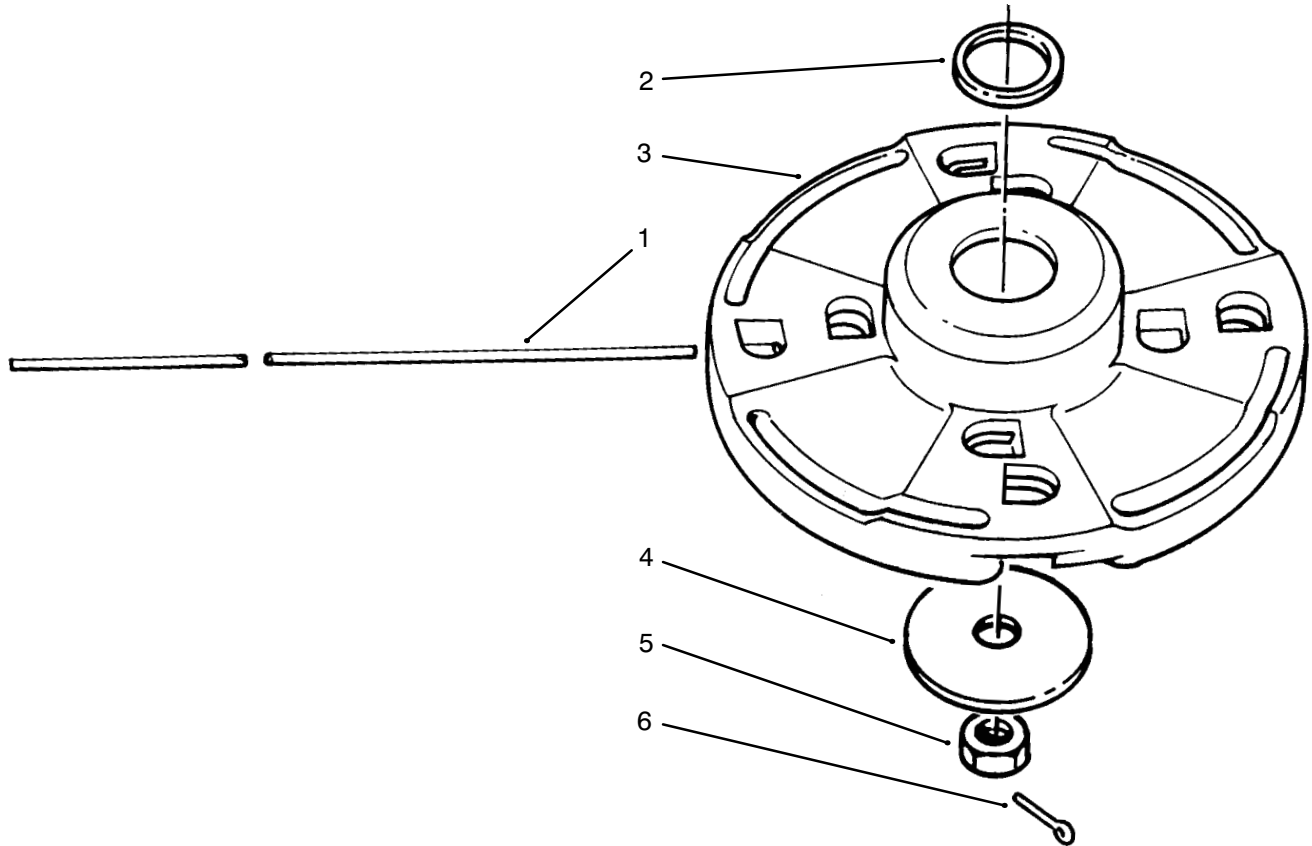




PART NO. 46-2810	PARTS CATALOG
Metallic Fixed Line Cutter Head For TC 5010 Gas Trimmer	



C-0221

HEAD ASSEMBLY

Ref. No.	Part No.	Description	No. Used	Ref. No.	Part No.	Description	No. Used
1		Line - Cutting .105 Dia.	1	*	46-2740	Line - Cutting .13 Dia.	1
*	52-5070	Line - Cutting .105 Dia. (20' Optional)	1	2	44-6950	Spacer	1
*	47-2260	Line - Cutting .105 Dia. (16" 100 Pcs. Optional)	1	3	46-2810	Cutter Head Assembly (Incl. Ref.#2)	1
*	46-2730	Line - Cutting .105 Dia. (235' 1 Lb. Optional)	1	4	41-4430	Washer - Plate	1
*	42-0580	Line - Cutting .13 Dia. (14" 100 Pcs. Optional)	1	5	41-5410	Nut - L.H.	1
				6	3272-3	Pin - Cotter	1

* Not Illustrated