



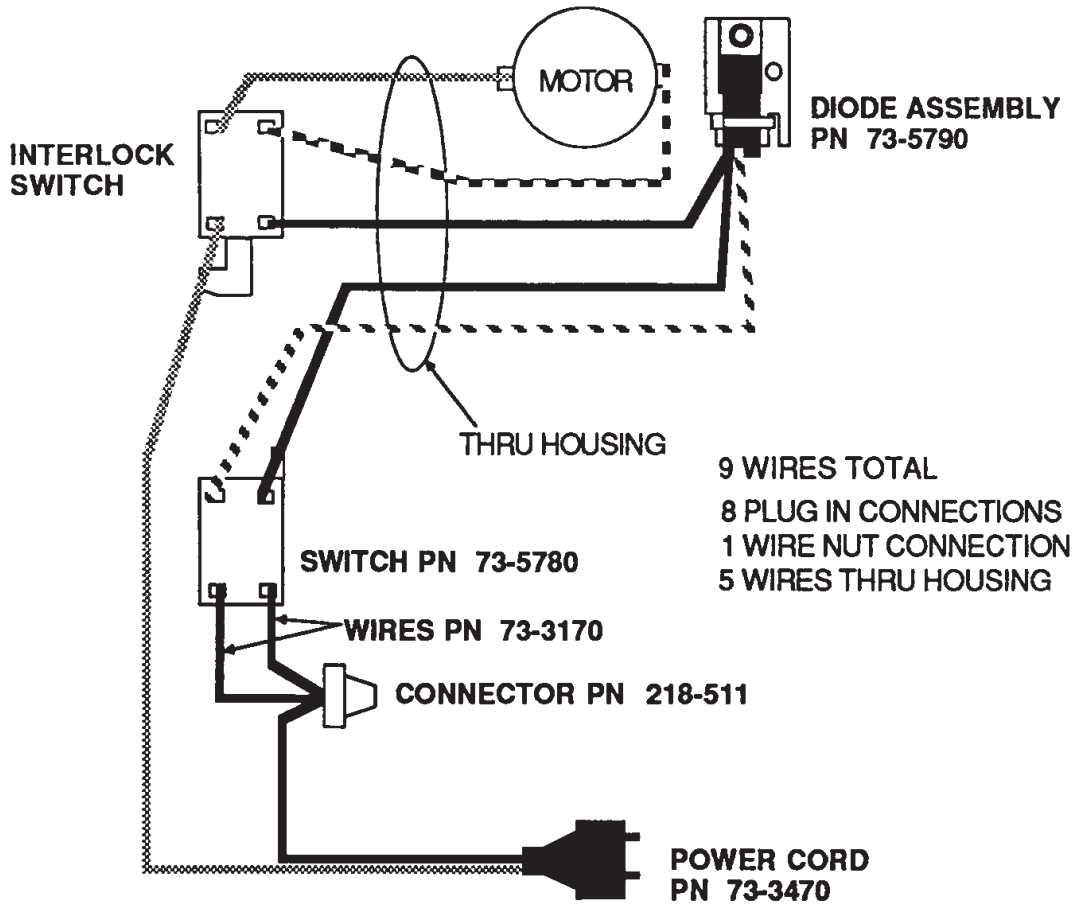
PART NO. 73-4830

INSTALLATION
INSTRUCTIONS

SWITCH KIT

For 800 Super Blower™ and 850 Super Blower/Vac™

2 SPEED CONTROL WIRING DIAGRAM



- WHITE
- BLUE OR YELLOW
- RED
- BLACK