



SNOWTHROWER ADAPTER KIT

to mount 79261 snowthrower to 260 series

PART NO. 92-6829

**INSTALLATION
INSTRUCTIONS**

This adapter kit contains parts and instructions to modify 42" snowthrower (Model 79261) for 260 series Yard Tractors.

Note: When using a previously installed 42" snowthrower (Model 79261) the front hitch assembly and mounting hardware must be removed from the previous tractor and re-used.

When 42" snowthrower (Model 79261) is mounted onto 260 series Yard Tractors follow these instructions to replace the rod in the rotator assembly. Follow the Operator's Manual; Installation procedure and substitute the crank handle support for the one packaged with the snowthrower.

Loose Parts

Note: Use the chart below to verify all parts have been shipped.

| DESCRIPTION | QTY. | USE |
|----------------------|------|--|
| Crank Handle Support | 1 | Replace crank handle support. |
| Rod | 1 | Replace rod in rotator assembly. |
| Operator's Manual | 1 | Read and use for mounting instructions |

Replace Rod in Rotator Assembly

1. Using a drift punch, drive out roll pins from universal joint and worm gear of rotator assembly (Fig. 1). Remove cotter pin and washer from end of shaft (Fig. 1).
2. Replace rod with the one from kit.
3. Secure universal joint to rod with roll pin at the end with single hole. (Fig. 1).
4. Insert carriage bolt into bracket so it is retained by the worm gear (Fig. 1).
5. Slide rod through end of bracket away from carriage bolt (Fig. 1). Install worm gear at second hole with roll pin. Slide wave washer onto rod and slide through end of bracket. Secure with washer and cotter pin (Fig. 1).

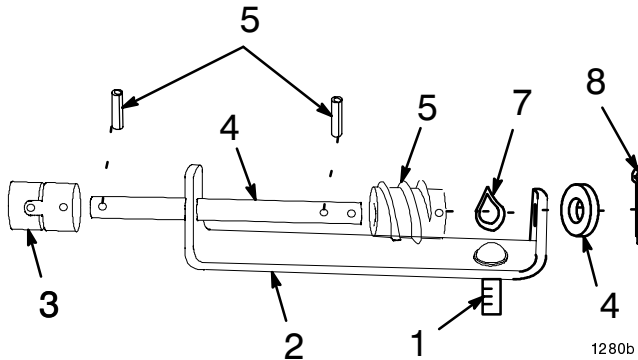


Figure 1

- | | |
|--------------------|----------------|
| 1. Carriage bolt | 6. Worm gear |
| 2. Bracket | 7. Wave washer |
| 3. Universal joint | 8. Washer |
| 4. Rod | 9. Cotter pin |
| 5. Roll pin | |