



**Count on it.**

**Parts Catalog**

**22in Recycler®**

**Lawn Mower**

Model No. 20333—Serial No. 314000001 and Up



# Ordering Replacement Parts

To order replacement parts, please supply the part number, the quantity, and the description of each part desired.

## Understanding Reference Numbers

Each identified part in an illustration has a reference number. The reference number for a part also appears in the parts list, along with other information about the part.

This catalog uses two special reference number formats, one to indicate parts in a service assembly and another to indicate the quantity of a given part in an illustration.

## Service Assembly Reference Numbers

Parts in service assemblies have reference numbers in the form a:b. The a represents the reference number of the entire service assembly and the b represents a sequential number unique to each part within the service assembly.

For example, a wheel assembly might be identified by reference number 6, the tire by 6:1, the valve by 6:2, and the wheel by 6:3. When you order the assembly identified by reference number 6, you receive all parts identified by reference numbers 6:1, 6:2, and 6:3. However, you may also order any part individually. Reference numbers of this type appear in illustration and in parts lists.

## Reference Numbers Indicating Quantity

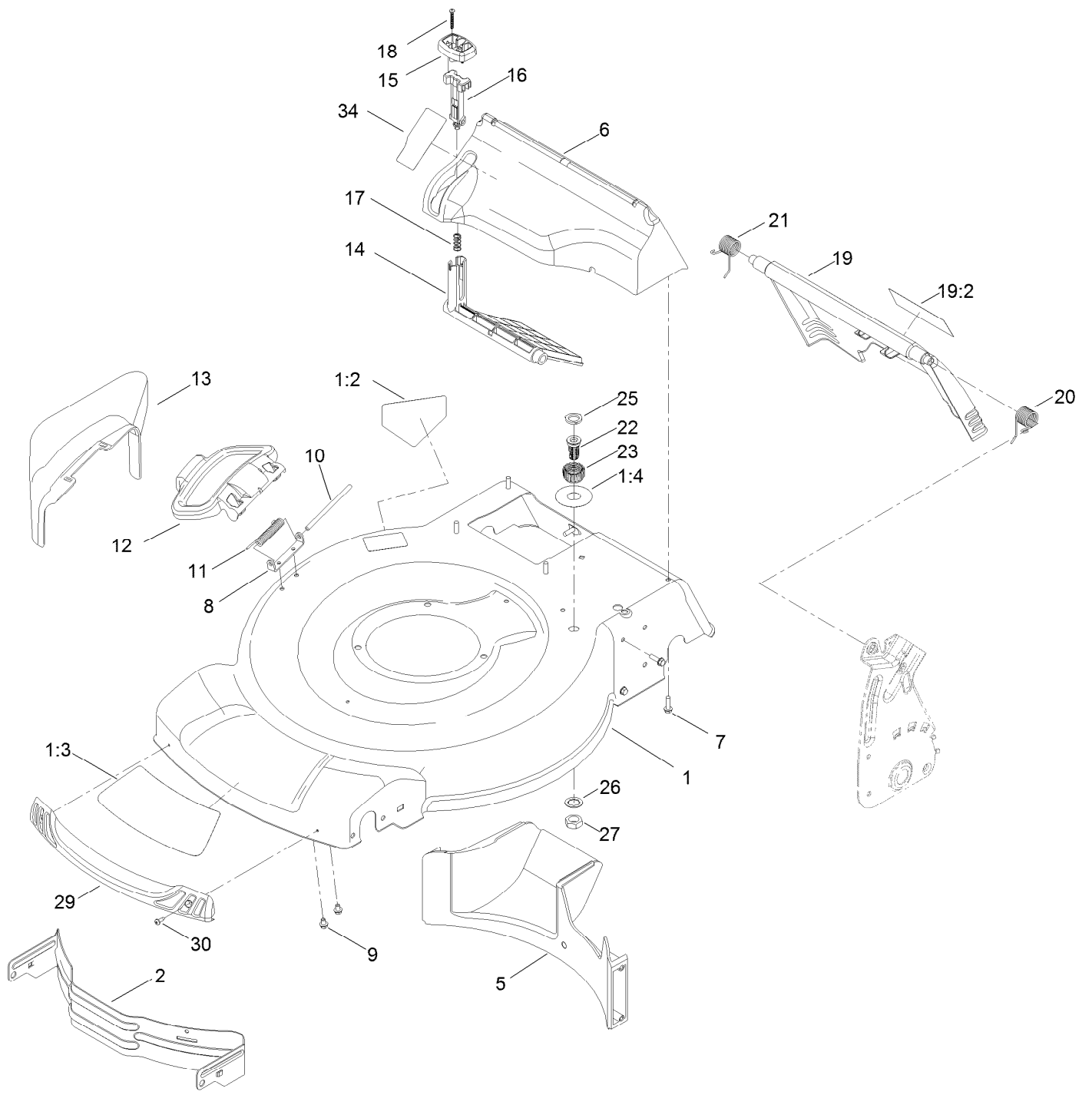
In an illustration, if a reference number indicates more than one part, the reference number has the form nX y. The n represents the quantity of the part, the X is the multiplication symbol, and the y represents the reference number.

For example, in an illustration, the reference number 2X 37 means that two of the parts identified by reference number 37 are indicated.

# Contents

Deck, Side Chute and Rear Door Assembly .....	4
Rear Bag Assembly .....	6
Engine and Blade Assembly .....	8
Front Wheel and Height-of-Cut Assembly .....	10
Transmission and Rear Wheel Drive Assembly .....	12
Upper Handle Assembly .....	14
Upper Handle Component Assembly .....	16
Attachments and Accessories .....	18

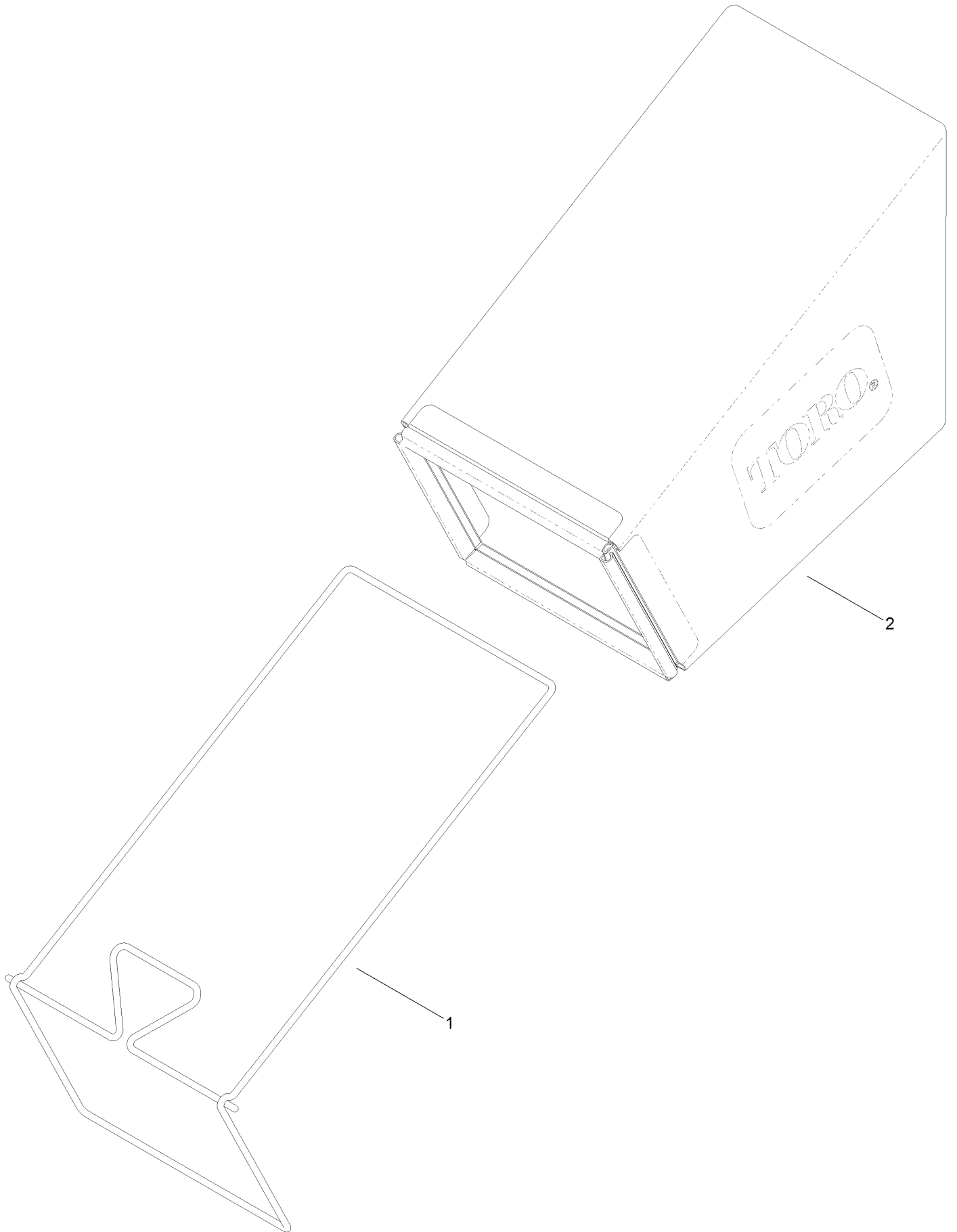
# Deck, Side Chute and Rear Door Assembly



## Deck, Side Chute and Rear Door Assembly (continued)

<i>Ref.</i>	<i>Part Number</i>	<i>Qty.</i>	<i>Description</i>	<i>Ref.</i>	<i>Part Number</i>	<i>Qty.</i>	<i>Description</i>
1	130-2389	1	Housing ASM	16	114-7959	1	Latch-Recycle
1:2	94-8072	1	Decal-Danger	17	117-1031	1	Spring-Compression
1:3	115-4676	1	Decal-Recycler	18	32104-120	2	Screw-PPH
1:4	112-8867	1	Decal-Port, Washout	19	121-5776	1	Rear Door ASM
2	114-7963-01	1	Baffle-Front	19:2	114-7982	1	Decal-Warning
5	114-7961	1	Baffle-Rear	20	115-2859	1	Spring-Torsion
6	115-4677	1	Chute-Recycle	21	114-7924	1	Spring-Torsion
7	46-8091	9	Screw-HWH	22	112-6400	1	Port-Washout
8	112-6416	1	Bracket-Cover	23	112-6401	1	Coupling-Hose, Washout Port
9	99-8445	2	Screw-HWH	25	112-6438	1	Washer-Seal, Washout Port
10	99-5291	1	Rod-Cover	26	3254-5	1	Washer-Tooth, Internal
11	99-5293	1	Spring-Torsion	27	3218-6	1	Nut-Jam
12	115-8449	1	Deflector-Side	29	114-7987	1	Bumper
13	115-8447	1	Chute-Discharge, Side	30	105-6849	2	Screw-Forming, Thread
14	114-7960	1	Deflector-Recycle	34	125-5026	1	Decal
15	114-7958	1	Knob-Recycle				

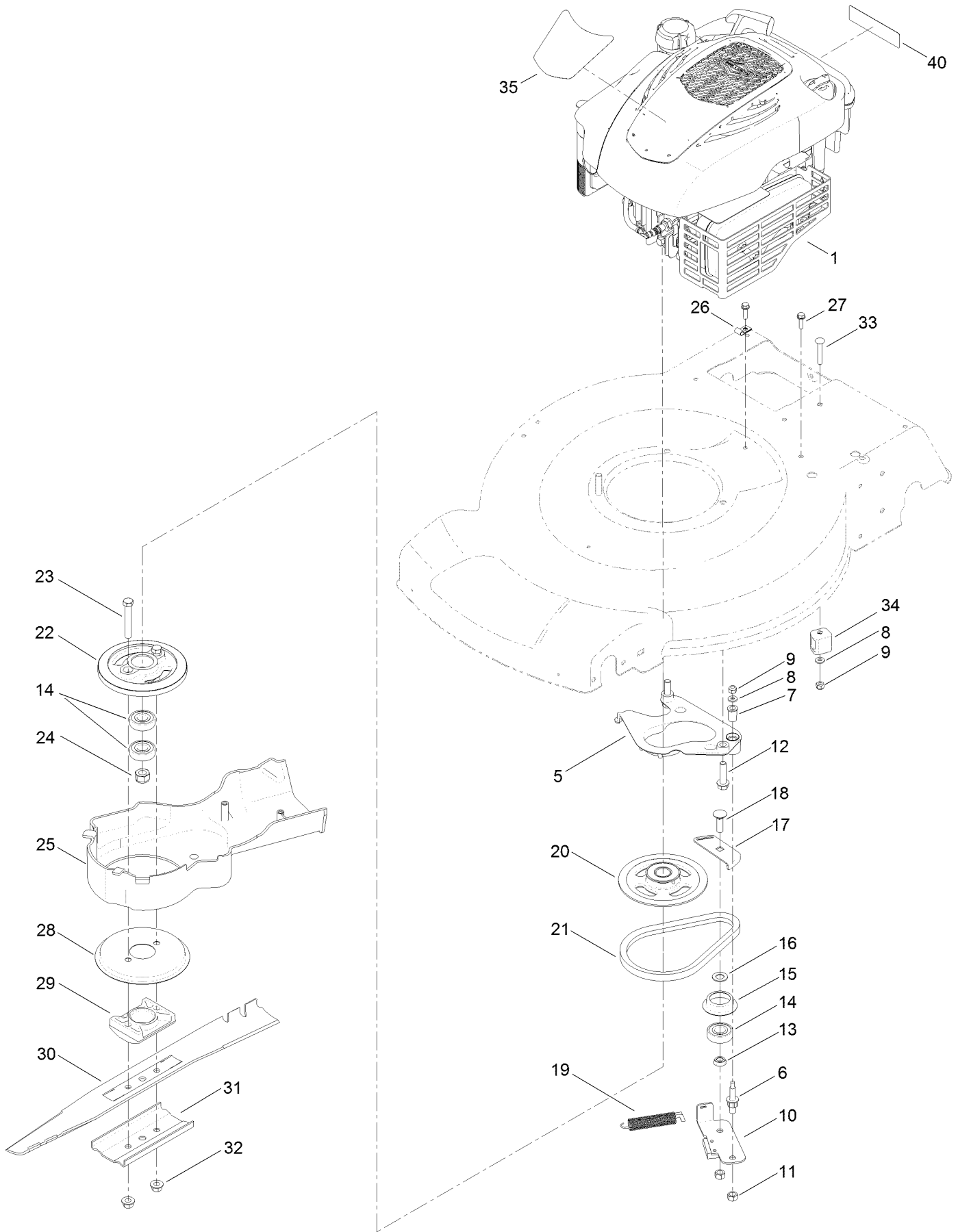
# Rear Bag Assembly



## Rear Bag Assembly (continued)

<i>Ref.</i>	<i>Part Number</i>	<i>Qty.</i>	<i>Description</i>
1	114-2679-03	1	Frame-Bag
2	115-4673	1	Grass Bag ASM

# Engine and Blade Assembly





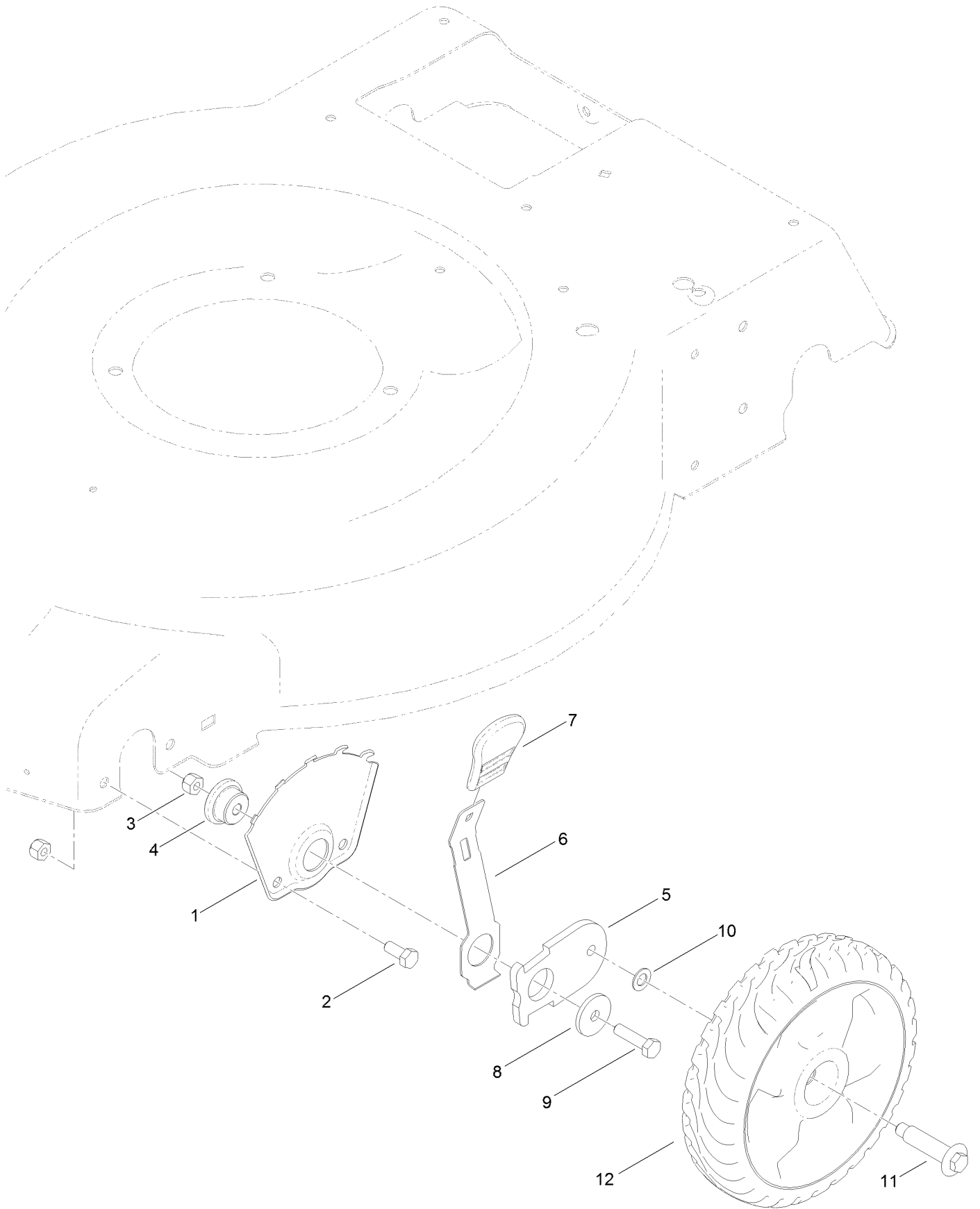
## Engine and Blade Assembly (continued)

<i>Ref.</i>	<i>Part Number</i>	<i>Qty.</i>	<i>Description</i>	<i>Ref.</i>	<i>Part Number</i>	<i>Qty.</i>	<i>Description</i>
1		1	Engine-Briggs, 128M02-0001-F1 ●■	20	117-5970	1	Pulley
5	108-9341	1	Plate-Anchor	21	110-1790	1	Belt
6	107-0759	1	Bolt-Shoulder	22	107-0754	1	Drum
7	107-0797	1	Bushing	23	3211-42	2	Screw-HH
8	3256-16	2	Washer-Flat	24	108-9342	1	Nut-Hex
9	3296-73	2	Nut-Lock, NI	25	115-2892	1	Cover
10	125-1063	1	Plate-Brake	26	2412-72	1	Clip-Closed, Insulated
11	125-5069	2	Nut-Hex	27	46-8091	2	Screw-HWH
12	32144-102	3	Screw-HWH	28	108-3787	1	Disc
13	107-0758	1	Spacer-Bearing	29	107-7487	1	Support-Blade
14	100-1048	3	Bearing-Ball	30	108-9764-03	1	Blade-22 Inch
15	108-3790	1	Retainer-Belt	31	108-3766-03	1	Support-Blade
16	605256	1	Washer-Plain	32	54-9190	2	Nut-Lock
17	107-7471	1	Plate-Guide	33	3229-5	1	Screw-CARR
18	3231-25	1	Bolt-CARR	34	106-6801	1	Anchor-Cable
19	108-3792	1	Spring-Tension, Brake	35	121-2371	1	Decal-Shroud
				40	117-2718	1	Decal-Arrester, Spark

● Not serviced separately

■ Obtain parts from [www.briggsandstratton.com](http://www.briggsandstratton.com)

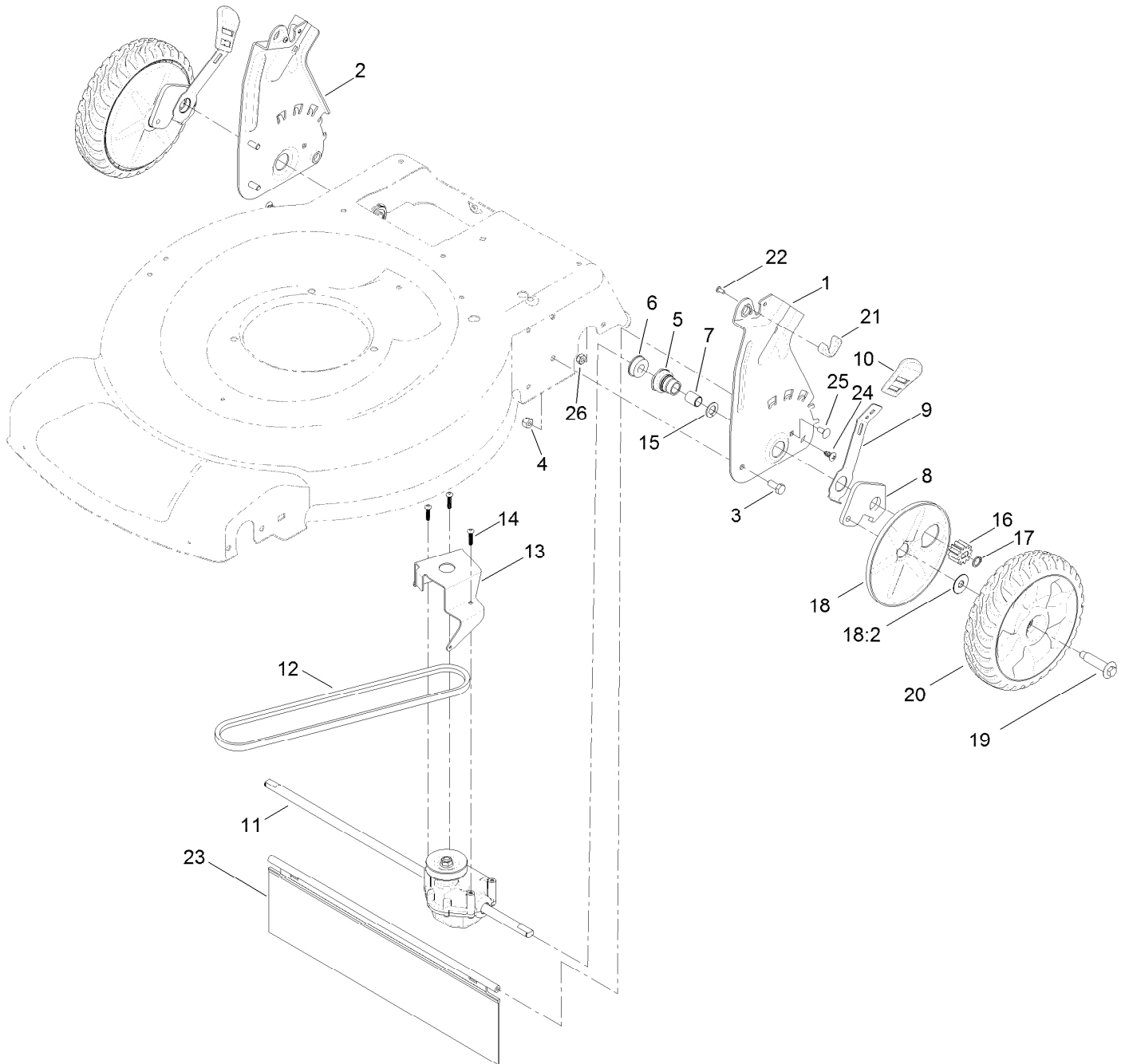
# Front Wheel and Height-of-Cut Assembly



## Front Wheel and Height-of-Cut Assembly (continued)

<i>Ref.</i>	<i>Part Number</i>	<i>Qty.</i>	<i>Description</i>	<i>Ref.</i>	<i>Part Number</i>	<i>Qty.</i>	<i>Description</i>
1	115-1956-03	2	Plate-HOC, Front	7	110-0549	2	Knob-HOC
2	322-3	4	Screw-HH	8	105-3048	2	Washer-Flat
3	3296-29	6	Nut-Lock, NI	9	322-6	2	Screw-HH
4	105-1818	2	Bushing-Mount, HOC	10	40-1940	2	Washer
5	105-1807	2	Arm-Pivot, Front	11	614650	2	Bolt-Shoulder
6	105-1809	2	Arm-Spring	12	115-2894	2	8 Inch Wheel ASM

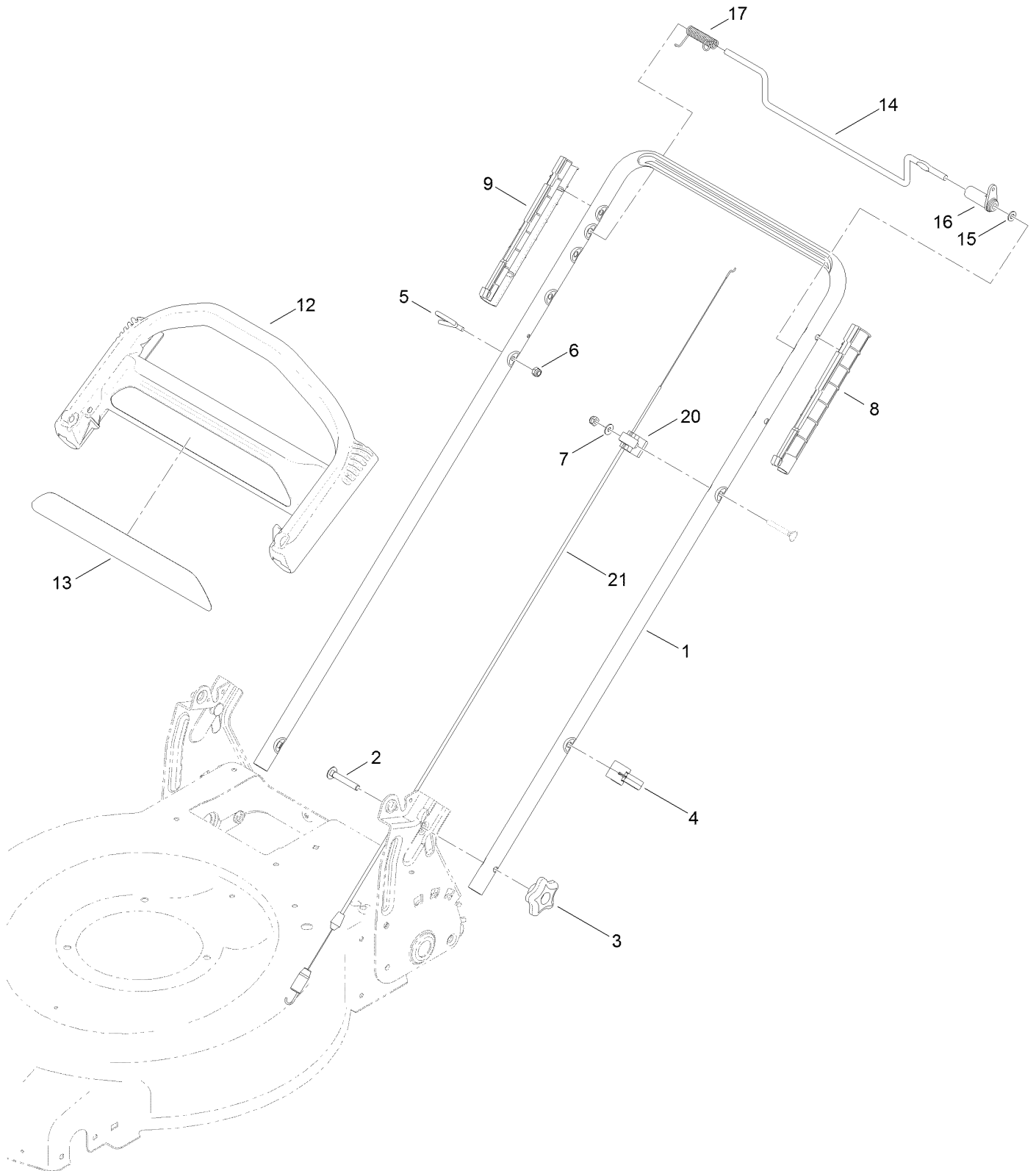
# Transmission and Rear Wheel Drive Assembly



## Transmission and Rear Wheel Drive Assembly (continued)

<i>Ref.</i>	<i>Part Number</i>	<i>Qty.</i>	<i>Description</i>	<i>Ref.</i>	<i>Part Number</i>	<i>Qty.</i>	<i>Description</i>
1	127-6877-03	1	Plate-Rear, LH (HOC)	15	110-7191	2	Washer-Thrust
2	127-6878-03	1	Plate-Rear, RH (HOC)	16	110-9417	2	Gear-Pinion, 15T
3	322-3	4	Screw-HH	17	32151-61	2	Ring-Retaining
4	3296-29	4	Nut-Lock, NI	18	110-1792	2	Wheel Cover ASM
5	108-9779	2	Retainer-Bushing, HOC	18:2	614426	1	Washer-Stepped
6	104-8699	2	Bearing-Ball	19	614650	2	Bolt-Shoulder
7	108-9782	2	Bushing-Sleeve	20	119-3822	2	8 Inch Wheel Gear ASM
8	108-9781	2	Arm-Pivot, Rear	21	115-8406	2	Anchor-Bag
9	108-9780	2	Arm-Spring	22	105-9437	2	Screw-PPH
10	110-0549	2	Knob-HOC	23	120-7012	1	Shield-Trailing
11	121-9178	1	Transmission ASM	24	117-1092	2	Screw-PTH
12	115-4669	1	Belt-V	25	3229-11	2	Screw-CARR
13	114-7977-03	1	Bracket-Transmission	26	3296-16	2	Nut-Lock, NI
14	108-7476	3	Screw-Plastite				

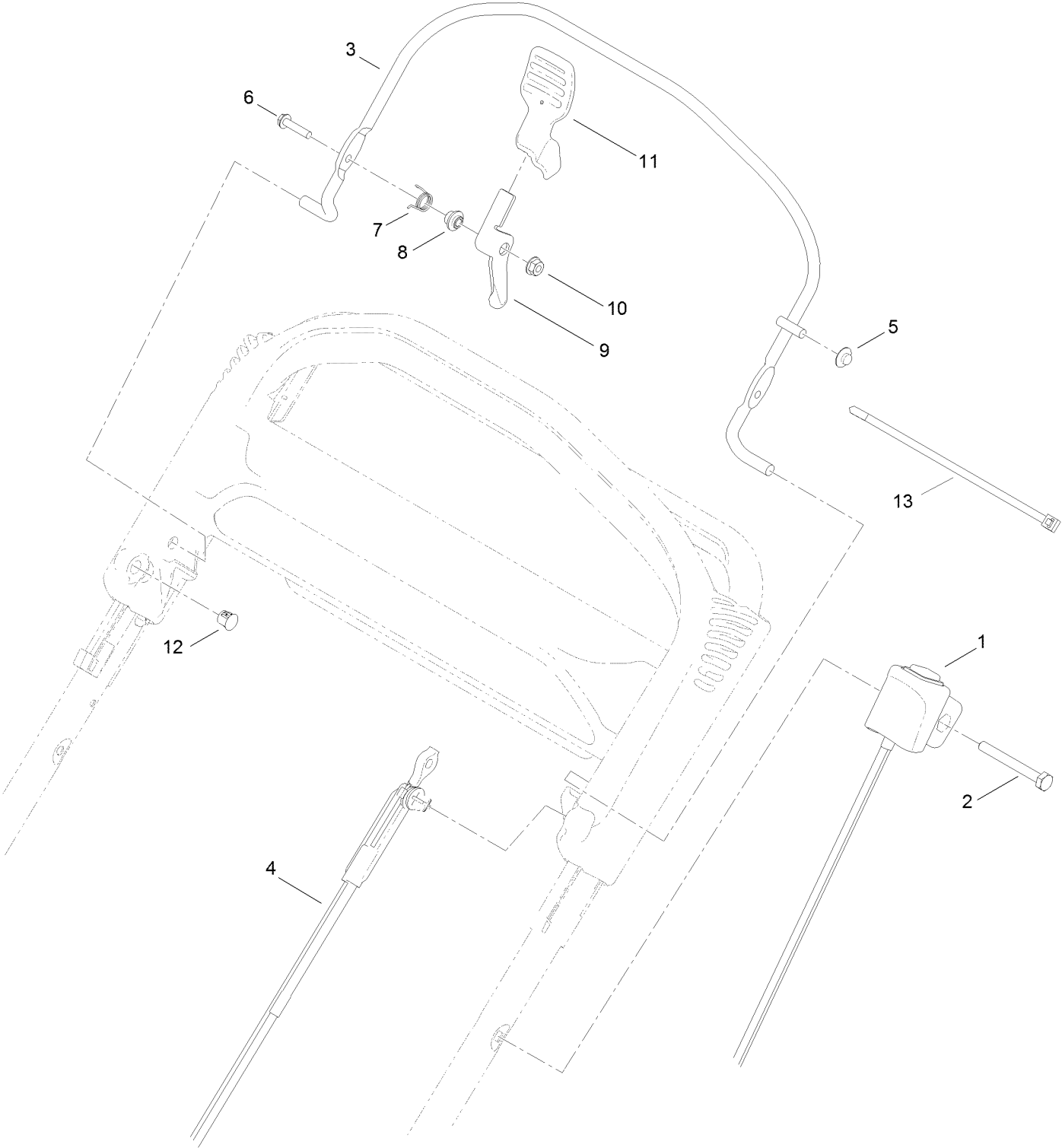
# Upper Handle Assembly



## Upper Handle Assembly (continued)

<i>Ref.</i>	<i>Part Number</i>	<i>Qty.</i>	<i>Description</i>	<i>Ref.</i>	<i>Part Number</i>	<i>Qty.</i>	<i>Description</i>
1	119-3810-05	1	Handle	12	104-8678	1	Handle-Control
2	3230-6	2	Screw-CARR	13	117-1019	1	Decal
3	117-5976	2	Knob-Handle	14	99-1588	1	Bar-Control, Traction
4	114-7988	1	Guide-Cable	15	3256-23	1	Washer-Plain
5	86-9671	1	Guide-Rope	16	99-1589	1	Lever-Traction
6	3296-73	2	Nut-Lock, NI	17	121-9118	1	Spring-Torsion
7	3256-1	1	Washer-Flat	20	99-5239	1	Anchor-Cable
8	105-6842	1	Guide-LH	21	115-8435	1	Cable-Traction
9	105-6841	1	Guide-RH				

# Upper Handle Component Assembly





## Upper Handle Component Assembly (continued)

<i>Ref.</i>	<i>Part Number</i>	<i>Qty.</i>	<i>Description</i>	<i>Ref.</i>	<i>Part Number</i>	<i>Qty.</i>	<i>Description</i>
1	117-5975	1	Switch Housing ASM	8	107-7463	1	Spacer
2	321-50	1	Screw-HH	9	106-6802	1	Lever
3	108-3788-03	1	Bail-Brake	10	32128-17	1	Nut-Lock, Flange
4	115-8439	1	Cable-Brake	11	112-8884	1	Knob
5	3290-337	1	Nut-Speed	12	104-9368	1	Plug-Dome
6	106-9169	1	Screw-HWH	13	614249	2	Tie-Cable
7	107-7462	1	Spring-Torsion				

# Attachments and Accessories

## For 20333 22in Recycler Lawn Mower

<b>Product Name</b>	<b>Model/Part</b>
Traction Assist Handle Kit.....	108-8120
Loose Parts Kit .....	117-4132
Toro WPM Maint Kit .....	20234
Replacement Bag .....	59310
Replacement Frame and Bag Kit.....	59312
22 Inch Atomic Blade.....	59534P

**Notes:**



**Count on it.**